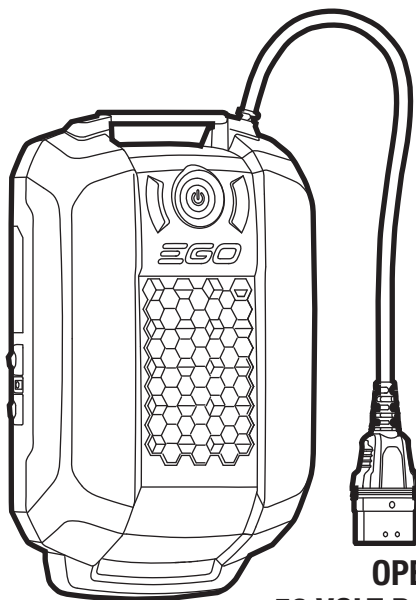


EGO™

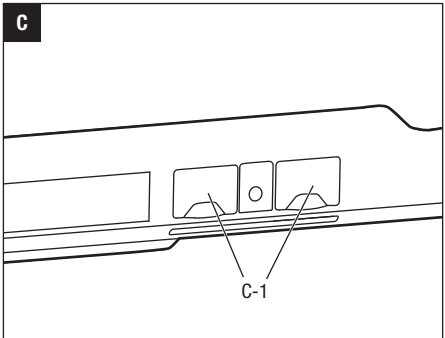
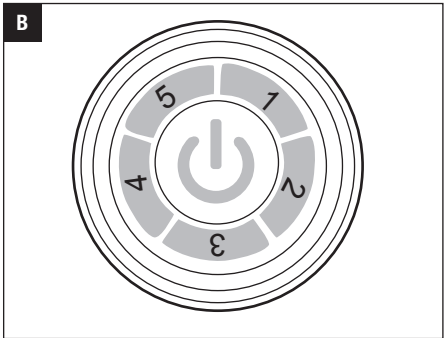
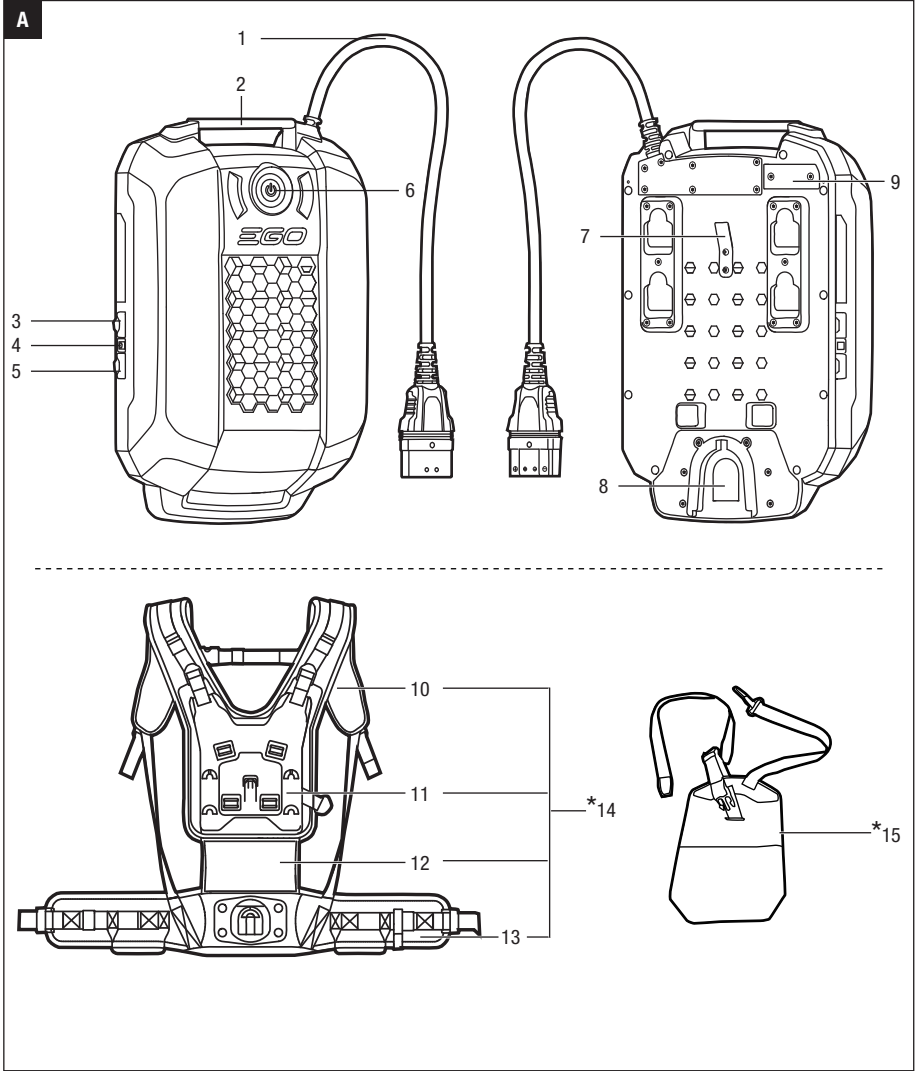
POWER⁺ BACKPACK BATTERY

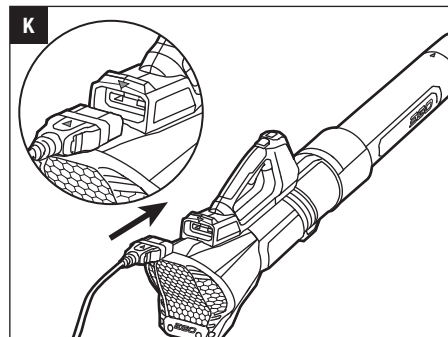
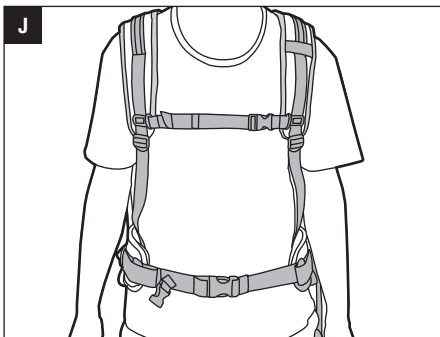
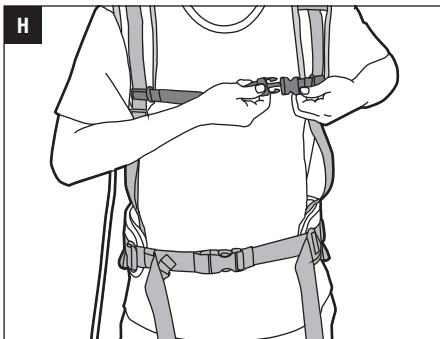
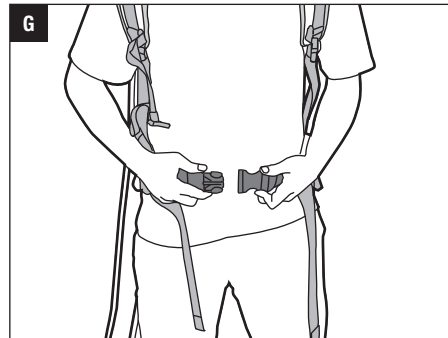
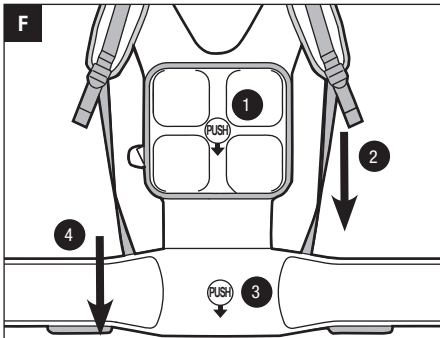
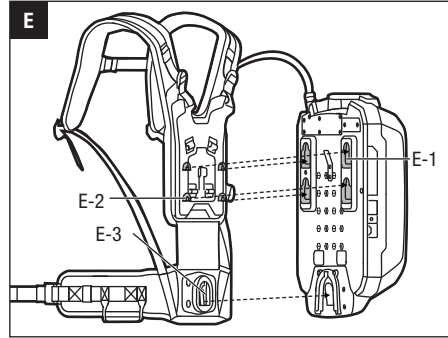
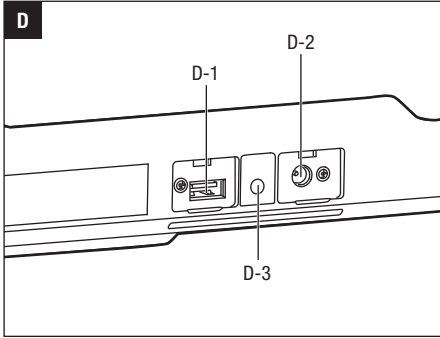


OPERATOR'S MANUAL 56 VOLT BACKPACK BATTERY

MODEL NUMBER BAX1500

EN	56-Volt backpack battery	4	HU	56 Voltos hordozható akkumulátor	116
DE	Rucksack-Akku 56 Volt	11	RO	Acumulator de 56 de volți cu suport de spate	124
FR	Batterie dorsale 56 v	18	SL	56-Voltni baterijski nahrbtnik	132
ES	Bateria de mochila de 56 voltios	26	LT	56 Voltų ant nugaros nešiojama baterija	139
PT	Bateria de mochila de 56 volts	34	LV	56 Voltu mugursomas tipa akumulators	147
IT	Caricabatteria a zaino 56 volt	41	GR	Μπαταρία πλάτης 56 volt	155
NL	56 Volt accurugzak	49	TR	sirt çantası tipi 56 volt akü	163
DK	56 Volt-rygsækbatteeri	57	ET	56V Seljakott-aku	170
SE	56 V Rygsäcksbatteeri	64	UK	Напличний акумулятор 56 вольт	177
FI	56 Voltin reppuakku	71	BG	56-Волта акумулаторна раница	185
NO	56 Volts ryggsekkbatteeri	78	HR	Baterija 56 v s naprtnjačom	194
RU	Ранцевый аккумулятор 56 в	85			
PL	Akumulator plecakowy 56 v	93			
CZ	56 Voltový zádový akumulátor	101			
SK	56 Voltový batohový akumulátor	108			





READ ALL INSTRUCTIONS!



READ OPERATOR'S MANUAL

⚠ Residual risk! People with electronic devices, such as pacemakers, should consult their physician(s) before using this product. Operation of electrical equipment in close proximity to a heart pacemaker could cause interference or failure of the pacemaker.

⚠ WARNING: To ensure safety and reliability, all repairs and replacements should be performed by a qualified service technician.

SAFETY SYMBOLS

The purpose of safety symbols is to attract your attention to possible dangers. The safety symbols and the explanations with them deserve your careful attention and understanding. The symbol warnings do not, by themselves, eliminate any danger. The instructions and warnings they give are no substitutes for proper accident prevention measures.

⚠ WARNING: Be sure to read and understand all safety instructions in this Operator's Manual, including all safety alert symbols such as "DANGER," "WARNING," and "CAUTION" before using this tool. Failure to follow all instructions listed below may result in electric shock, fire, and/or serious personal injury.

⚠ WARNING: Risk of fire and burns. Do not disassemble, heat above 100 °C, or incinerate. Keep battery pack out of reach of children and in original package until ready to use. Dispose of used battery pack promptly according to local recycling or waste regulations.

SAFETY INSTRUCTIONS

This page depicts and describes safety symbols that may appear on this product. Read, understand, and follow all instructions on the machine before attempting to assemble and operate it.

	Safety Alert	Indicates a potential personal injury hazard.
	Read operator's manual	To reduce the risk of injury, user must read and understand operator's manual before using this product.
	Recycle Symbols	Do not dispose of battery packs/batteries into household waste, fire or water. Battery packs/batteries should be collected, recycled or disposed of in an environmental friendly manner.
	CE	This product is in accordance with applicable EC directives.
	WEEE	Waste electrical products should not be disposed of with household waste. Take to an authorized recycler.
V	Volt	Voltage
A	Amperes	Current
W	Watt	Power
min	Minutes	Time
	Direct Current	Type or a characteristic of current

⚠ WARNING: Read and understand all instructions. Failure to follow all instructions may result in electric shock, fire and/or serious personal injury. The term "power tool" in most of warnings listed refers to EGO Power+ battery operated (cordless) Lawn & Garden machines.

WORK AREA SAFETY

- **Keep the work area clean and well lit.** Cluttered or dark areas invite accidents.
- **Do not operate power tools in explosive environments, such as in the presence of flammable liquids, gases, or dust.** Power tools create sparks, which may ignite the dust or fumes.

ELECTRICAL SAFETY

- **Do not expose power tools to rain or wet conditions.**
Water entering a power tool will increase the risk of electric shock.
- **Use only with chargers and power tools listed in “SPECIFICATIONS”.**

BATTERY PACK USE AND CARE

- **When battery pack is not in use, keep it away from other metal objects like paper clips, coins, keys, nails screws or other small metal objects that can make a connection from one terminal to another.**
Shorting the battery terminals together may cause burns or a fire.
- **Under abusive conditions, liquid may be ejected from the battery; avoid contact. If contact accidentally occurs, flush with water. If liquid contacts eyes, additionally seek medical help.** Liquid ejected from the battery may cause irritation or burns.
- **Do not dismantle, open or shred secondary battery.**
- **Do not expose the battery to heat or fire.** Avoid storage in direct sunlight.
- **Do not short-circuit a cell or a battery.** Do not store cells or batteries haphazardly in a box or drawer where they may short-circuit each other or be short-circuited by other metal objects.
- **Do not remove a battery from its original packaging until required for use.**
- **Do not subject cells or batteries to mechanical shock.**
- **Keep the battery out of the reach of children. Seek medical advice immediately if a battery has been swallowed.**
- **Keep the battery clean and dry.**
- **Wipe the battery terminals with a clean dry cloth if they become dirty.**
- **Secondary battery need to be charged before use.** Always use the correct charger and refer to the manufacturer’s instructions or equipment manual for proper charging instructions.
- **Do not leave a battery on prolonged charge when not in use.**
- **After extended periods of storage, it may be necessary to charge and discharge the batteries several times to obtain maximum performance.**
- **Retain the original product literature for future reference.**
- **Use only the battery in the application for which it was intended.**

- **When possible, remove the battery from the equipment when not in use.**
- **Dispose of properly.**

SERVICE

- **Follow instructions in the Maintenance section of this manual.** Use of unauthorized parts or failure to follow Maintenance instructions may create a risk of shock or injury.

SPECIFIC SAFETY RULES

- **Know your power tool. Read the operator’s manual carefully. Learn the applications and limitations, as well as the specific potential hazards related to the tool.** Following this rule will reduce the risk of electric shock, fire, or serious injury.
- **Battery tools do not have to be plugged into an electrical outlet; therefore, they are always in operating condition.** Be aware of possible hazards when not using your battery tool. Always remove the battery before changing accessories. Following this rule will reduce the risk of electric shock, fire or serious personal injury.
- **Do not crush, drop or damage the battery pack. Do not use a battery pack or charger that has been dropped or received a sharp blow.** A damaged battery is subject to explosion. Properly dispose of a dropped or damaged battery immediately.
- **Do not charge the battery in a damp or wet location.** Following this rule will reduce the risk of electric shock.
- **For best results, your battery should be charged in a location where the temperature is greater than 0°C and less than 40°C.** Do not store it outside or in vehicles.
- **Do not let gasoline, oils, petroleum-based products, etc. come in contact with plastic parts.** These substances contain chemicals that can damage, weaken or destroy plastic.
- **Have your battery pack serviced by a qualified repairperson using only identical replacement parts.** This will ensure that the safety of the battery pack is maintained.
- **Save these instructions.** Refer to them frequently and use them to instruct others who may use this tool. If you lend someone this tool, lend them these instructions also to prevent misuse of the product and possible injury.



EN

SPECIFICATIONS

Rated Voltage	56V
Max Capacity	1568Wh
Matched Charger	CHX5500E
Charging Current	Rapid Charging: 8A Normal Charging: 4A
Charging Time	Rapid Charging: Approximately 3.5h Normal Charging: Approximately 7h
Matched Power Tools	LBX6000, HTX6500, BCX3800
Weight	8.7kg
Specified ambient temperature range for discharging	-20°C~40°C

DESCRIPTION

KNOW YOUR BATTERY PACK (Fig. A)

1. Cable
2. Handle
3. USB Port
4. USB/DC Switch

5. 12 DC Port
6. Power Indicator and Switch Button
7. Shoulder Strap Fixation Spring
8. Belt Strap Fixation Spring
9. Fuse Service Cover
10. Shoulder Strap
11. Frame
12. Wet
13. Belt
14. Harness (Sold Separately)
15. Hip-pad Accessory (Sold separately)

OPERATION

POWER INDICATOR ON BATTERY PACK (Fig. B)

This lithium-ion backpack battery is equipped with a power indicator, which indicates the charge capacity level and error of the battery pack. Press the power indicator to display the capacity level when the battery is not in charge. The LED indicator will shine for 10 seconds.

- In the case of charging, the LED indicator may display various interfaces listed below without pressing the switch button.

CHARGING						
Battery Capacity / Error	LED's					Remarks
	1	2	3	4	5	
<20%	Flashing green	Off	Off	Off	Off	1 blinking
20% ≤ Capacity < 40%	On	Flashing green	Off	Off	Off	1 on, 1 blinking
40% ≤ Capacity < 60%	On	On	Flashing green	Off	Off	2 on, 1 blinking
60% ≤ Capacity < 80%	On	On	On	Flashing green	Off	3 on, 1 blinking
80% ≤ Capacity < 100%	On	On	On	On	Flashing green	4 on, 1 blinking
Capacity = 100% (fully charged)	On	On	On	On	On	5 on for several mins, then switch off
Battery can't be charged	Off	Off	Off	Off	Off	5 LED lights all will be switched off
Over-temperature Battery	Off	Off	Off	Off	Off	5 LED lights all will be switched off

If the backpack battery is discharging or remains unused, **PRESS THE SWITCH BUTTON**, the LED indicator will exhibit a different interface as shown below from the charging one.

Battery Capacity / Error	DISCHARGING/UNUSED					Remarks
	LED's					
	1	2	3	4	5	
80% < Capacity ≤ 100%	On	On	On	On	On	5 LED lights on for 10 seconds after button-pressing
60% < Capacity ≤ 80%	On	On	On	On	Off	4 LED lights on for 10 seconds after button-pressing
40% < Capacity ≤ 60%	On	On	On	Off	Off	3 LED lights on for 10 seconds after button-pressing
20% < Capacity ≤ 40%	On	On	Off	Off	Off	2 LED lights on for 10 seconds after button-pressing
10% < Capacity ≤ 20%	On	Off	Off	Off	Off	1 LED light on for 10 seconds after button-pressing
≤10%	Flashing green	Off	Off	Off	Off	1 LED light blinks for 10 seconds after button-pressing
Under voltage (<2.7V)	Flashing red	Flashing red	Flashing red	Flashing red	Flashing red	5 red light blinks for 10 seconds after button-pressing
Over-temperature Battery	Shining red	Shining red	Shining red	Shining red	Shining red	5 red light on for 10 seconds after button-pressing

BATTERY PROTECTION

The battery circuitry protects the battery pack from extreme temperature, over-discharge and over-charge. To protect the battery from damage and prolong its life, the battery pack circuitry will turn off the battery pack if it becomes overloaded or if the temperature becomes too high or too low during use. This may happen in extremely high torque, binding, and stalling situations.

- In the case of charging, the battery pack will shut down with all 5 LEDs being switched off when its temperature exceeds 60°C or below 0°C. Once the temperature returns back to normal in 90 minutes, the battery will return to work automatically. Otherwise, the battery will shut down, reinsert the plug into the charger again, can reactivate charging.
- The battery pack will also shut down with all 5 LEDs being switched off when the voltage of a battery cell exceeds its protective voltage. It is recommended to discharge the battery pack immediately. If this tip is repeated many times, please contact with EGO service centers.
- In the case of discharging, when the temperature of battery pack exceeds 70°C or below -20°C, the battery pack will shut down with the 5 LED shining red for 10s after button-pressing. The battery pack will return to work in both conditions when normal temperature resumes and will allow the power tool to restart.
- When the voltage of a battery cell is less than 2.7V, the battery pack will shut down with the 5 LED blinking red for 10s after button-pressing. It is recommended to stop work and charge your battery pack immediately. If this tip is repeated many times, contact your service technician for assistant.

⚠ WARNING: You should never heat the battery pack under any circumstances.

CHARGE THE BATTERY PACK

The battery pack is shipped partially charged. Before using it for the first time the battery should be charged.

⚠ WARNING: Do not charge the battery pack outdoors or expose it to wet or damp conditions. Water entering the charger or battery pack will increase the risk of electric shock. For any additional details, please refer to the Operator's Manual for the EGO CHX5500E Charger.

1. Connect the charger to the power supply (220-240V~50Hz).
2. Insert the battery plug into the charger.
3. If the battery pack is in the normal charging, the green LED1 on the charger will flash. After green button-pressing for at least 1s, the normal charging (charging current 4A) will transform to rapid charging (charging current 8A) and green LED2 on the charger will flash with LED1 off.
4. 5 LEDs of battery pack shining green continuously means the battery pack is fully charged. Wait until the cooling fan of the charger stops, remove the battery pack from the charger and disconnect the charger from power supply.

NOTICE:

- The battery pack will fully charge if left on the charger, but it will not overcharge.
- Following the instructions in the Operator's Manual for the EGO CHX5500E charger for more details.
- A significantly reduced running after fully charging the battery pack indicates that the batteries are near the end of their usable life and must be replaced.
- If you have not inserted the plug into its place completely, LED of charger light would flash continually.
- The charger may warm during charging. This is part of the normal operation of the charger. Charge in a well-ventilated area.

USB/12V DC

Uncover the rubber covers and insert the USB/DC plugs into USB/DC ports (Fig. C & D). Then press the USB/DC switch button, the battery pack will connect the devices via USB or DC ports.

C-1	Rubber Covers	D-2	12V DC Port
D-1	USB Port	D-3	USB/DC Switch

NOTICE:

- The functions of USB and 12V DC power can work with 56V power source simultaneously. After using of USB/12V DC, pull out the USB/DC plugs and put the rubber covers into its place.
- Should not use the USB/12V DC while the battery pack is charging.

CONNECT AND DISCONNECT HARNESS TO/FROM BATTERY PACK
To Connect

Align the four location ribs on the frame with the mounting grooves and connect the location slot on the belt with the belt fixation spring. Then slide the harness up until a click happening. (fig.E).

E-1	Mounting Groove	E-3	Belt location slot
E-2	Frame Location rib		

To Disconnect

Press the two release buttons on harness behind the frame and slide the harness out (Fig. F).

PUT ON THE BATTERY PACK

In normal operation, the battery pack with the harness is worn on the back. To prevent fatigue and work comfortably, the harness is equipped with a belt joint and shoulder strap joints, which guarantees freedom of movement.

The belt length of the lap belt and shoulder straps can be adjusted freely. The back cushion should fit firmly and securely on your back.

- Adjust the belt and shoulder strap length to make yourself comfortable before normal work, the length should fit your body size through the lap belt and shoulder strap joint.
- Insert the two parts of the belt buckle and chest buckle into each other until a click occurs (Fig. G & H).
- Adjust the height of the chest buckle to make yourself comfortable (Fig. I).
- Readjust the length of the belt strap and chest strap.
- Insert any extra length of belt around the waist and chest strap into the elastic (Fig. J).

TO ATTACH AND DETACH THE BATTERY PACK
Charge before first use

Guide the battery pack cable around the side of the body, and connect the power tools to the 1.5m connection cable. Follow the instructions in the power tools' manual for the further details.

To Install (Fig. K)

With aligned ▲ logo respectively on the plug and the power tools, insert the plug into the power tools until the green seal completely disappearing into the socket.

To Remove

Pull the plug out of the power tools.

⚠ WARNING: When emergency occurs, take off the battery pack from your shoulder immediately. Releasing the belt and chest buckle, then taking off the shoulder harness at each side is a quick release method.

⚠ WARNING: Do not over tighten the shoulder straps as it may make it difficult to remove the battery pack.

⚠ WARNING: Only certain EGO products can match the battery pack, which is listed in "SPECIFICATION". We recommend you should not use the battery pack on other power tools.

MAINTENANCE

⚠ WARNING: The battery pack must be repaired or replaced in EGO qualified service centre and technicians.

⚠ WARNING: To avoid serious personal injury, always remove the battery pack from the tool when changing accessories, cleaning or performing any maintenance.

⚠ WARNING: When servicing, use only identical EGO replacement parts. Use of any other parts may create a hazard or cause product damage.

⚠ WARNING: If cleaning with compressed air is the only method to apply, always wear safety goggles or safety glasses with side shields. If the operation is dusty, also wear a dust mask.

GENERAL MAINTENANCE

Avoid using solvents when cleaning plastic parts. Most plastics are susceptible to damage from various types of commercial solvents and may be damaged by their use. Use clean clothes to remove dirt, dust, oil, grease, etc.

⚠ WARNING: Do not let brake fluids, gasoline, petroleum-based products, penetrating oils, etc. come in contact with plastic parts at any time. Chemicals can damage, weaken or destroy plastic which may result in serious personal injury.

BATTERIES

Do not disassemble the battery pack or attempt to replace the cells. Handling of the batteries, especially when wearing rings and jewelry could result in serious burns. To obtain the longest possible battery life, read and understand the operator's manual.

⚠ WARNING: It is good practice to unplug the charger and remove the battery pack when not in use.

BATTERY PACK REMOVAL AND PREPARATION FOR RECYCLING



Li-ion

Do not dispose of battery charger and batteries/rechargeable batteries into household waste! According to the European law 2012/19/EU, electrical and electronic equipment that is no longer usable, and according to the European law 2006/66/EC, defective or used battery packs/batteries, must be collected separately and disposed of in an environmentally correct manner.

Consult your local waste authority for information regarding available recycling and/or disposal options.

⚠ WARNING: Upon removal of the battery pack for disposal or recycling, cover the battery pack's terminals with EN heavy-duty adhesive tape. Do not attempt to destroy or disassemble the battery pack or remove any of its components. Lithium-Ion batteries must be recycled or disposed of properly. Also, never touch the terminals with metal objects and/or body parts as a short circuit may result. Keep away from children. Failure to comply with these warnings could result in fire and/or serious injury.



EN TROUBLESHOOTING

PROBLEM	CAUSE	SOLUTION
The power tools doesn't work	<ul style="list-style-type: none">■ No electrical contact between the power tool and battery.■ The battery pack is depleted.■ The battery pack or power tool is too hot.■ The cable or plug is out of work.■ The voltage of a battery cell is below 2.7V.	<ul style="list-style-type: none">■ Attached the battery pack to the power tool.■ Charge the battery pack.■ Cool the battery pack or power tool until the temperature drops to normal values.■ Contact with EGO service centers.■ Charge the battery pack immediately.
The battery pack can't be Charged	<ul style="list-style-type: none">■ The battery temperature exceeds or reduces below the specified value.■ No electrical contact between battery and charger.■ The connection between the charger and power source goes wrong.	<ul style="list-style-type: none">■ Stop charging or discharging until the temperature becomes normal.■ Reinsert the battery pack into the charger.■ Reinsert the charger plug into the power source.

WARRANTY

EGO WARRANTY POLICY

Please visit the website egopowerplus.com for full terms and conditions of the EGO Warranty policy.

LESEN SIE DIE BEDIENUNGS- ANLEITUNG DURCH(AKKU)



LESEN SIE ALLE ANWEISUNGEN!

⚠ Restrisiko! Menschen mit elektronischen Geräten, wie z.B. Herzschrittmachern, sollten ihren Arzt konsultieren, bevor sie dieses Gerät verwenden. Die Bedienung von Elektrogeräten in unmittelbarer Nähe zu Herzschrittmachern kann zu Interferenzen und Störungen des Schrittmachers führen.

⚠ WARNUNG: Um die Sicherheit und Zuverlässigkeit zu gewährleisten, sollten alle Reparaturen und der Austausch von Teilen nur von qualifizierten Servicetechnikern durchgeführt werden.

SICHERHEITSSYMBOL

Der Zweck von Sicherheitssymbolen besteht darin, Ihre Aufmerksamkeit auf mögliche Gefahren zu lenken. Die Sicherheitssymbole und deren Erklärungen verdienen Ihre vollste Aufmerksamkeit und Ihr Verständnis. Die Warnsymbole beseitigen nicht von sich aus die Gefahren. Ihre Anweisungen und Warnungen sind kein Ersatz für angemessene Unfallverhütungsmaßnahmen.

⚠ WARNUNG: Achten sie darauf, dass sie, bevor Sie das Gerät benutzen, alle Sicherheitsanweisungen dieser Bedienungsanleitung gelesen und verstanden haben, einschließlich aller Gefahrenzeichen wie „VORSICHT“, „WARNUNG“ und „ACHTUNG“. Die Nichtbeachtung der unten angeführten Anweisungen kann zu Stromschlägen, Feuer und/oder schweren Personenschäden führen.

⚠ WARNUNG: Brand- und Verbrennungsgefahr Nicht zerlegen, über 100 °C aufwärmen oder verbrennen. Akku von Kindern halten. Bewahren Sie ihn in der Originalverpackung auf, bis Sie ihn in das Gerät einsetzen. Entsorgen Sie leere Akkus sofort und gemäß den örtlichen Recycling- und Entsorgungsbestimmungen.

SICHERHEITSHINWEISE

Diese Seite zeigt und beschreibt die Sicherheitssymbole, die auf diesem Produkt erscheinen können. Lesen, verstehen und befolgen sie die Anweisungen auf dem Gerät, bevor sie versuchen, das Gerät zusammenzubauen oder zu bedienen.

DE

	Sicherheitswarnung	Weist auf mögliche Verletzungsgefahr hin.
	Lesen Sie die Bedienungsanleitung durch.	Um das Verletzungsrisiko zu verringern, muss der Benutzer die Bedienungsanleitung vor der Benutzung des Gerätes gelesen und verstanden haben.
	Recycling-Symbole	Akkusätze/Batterien nicht mit den Haushaltsabfällen entsorgen, in Feuer oder Wasser werfen. Akkusätze/Batterien sollten gesammelt, recycelt oder auf umweltfreundliche Weise entsorgt werden.
	CE	Dieses Produkt erfüllt die anwendbaren EG-Richtlinien.
	WEEE	Elektrische Abfallprodukte dürfen nicht mit dem Hausmüll entsorgt werden. Bringen Sie das Gerät zu einem zugelassenen Recyclinghof.
V	Volt	Spannung
A	Ampere	Stromstärke
W	Watt	Leistung
min	Minuten	Zeit
	Gleichstrom	Stromart oder Merkmal des Stroms

⚠️ WARNUNG: Lesen und befolgen Sie alle Anweisungen. Die Nichtbeachtung sämtlicher Anweisungen kann zu Stromschlägen, Feuer und/oder schweren Verletzungen führen. Der Begriff „Elektrowerkzeug“ in den meisten aufgeführten Warnhinweisen bezieht sich auf akkubetriebene (schnurlose) Rasenpflege- und Gartengeräte der Marke EGO Power+.

SICHERHEIT IM ARBEITSBEREICH

- **Halten Sie den Arbeitsbereich stets sauber und gut beleuchtet.** Nicht aufgeräumte oder dunkle Bereiche können Unfälle provozieren.
- **Verwenden Sie das Elektrowerkzeug nicht in explosionsgefährdeten Umgebungen wie z.B. in Gegenwart von entzündlichen Flüssigkeiten, Gasen oder Staub. Elektrowerkzeuge erzeugen Funken, die Staub oder Dämpfe entzünden können.**

ELEKTRISCHE SICHERHEIT

- **Setzen Sie Elektrowerkzeuge nicht bei Regen oder anderen feuchten Bedingungen ein.** Wasser, das in ein Elektrowerkzeug eindringt, erhöht das Risiko für Stromschläge.
- **Benutzen Sie nur die unter „TECHNISCHE DATEN“ aufgeführten Ladegeräte und Elektrowerkzeuge.**

BENUTZUNG UND PFLEGE DES AKKUS

- **Wenn der Akku nicht benutzt wird, halten Sie ihn von anderen metallischen Objekten fern, wie Büroklammern, Münzen, Schlüssel, Nägel, Schrauben oder anderen kleinen Metallgegenständen, die eine Verbindung zwischen den Batteriekontakten herstellen können.** Das Kurzschließen der Batteriekontakte kann Verbrennungen oder Brände verursachen.
- **Bei falscher Anwendung kann Flüssigkeit aus dem Akku austreten; vermeiden sie den Kontakt mit dieser Flüssigkeit. Falls sie versehentlich mit der Flüssigkeit in Berührung kommen, spülen sie diese mit Wasser ab. Falls Flüssigkeit in die Augen geraten ist, suchen sie zudem einen Arzt auf.** Aus dem Akku austretende Flüssigkeit kann Reizungen oder Verbrennungen verursachen.
- **Zerlegen, öffnen oder zerkleinern Sie keine Akkus.**
- **Schützen Sie Akkus vor Hitze oder Feuer.** Nicht direkt in der Sonne aufbewahren.

- **Schließen sie eine Sekundärzelle oder eine Batterie nicht kurz.** Lagern sie Sekundärzellen oder Batterien nicht willkürlich in einer Box oder Schublade, wo sie einander kurzschließen oder durch andere Metallobjekte kurzgeschlossen werden können.
- **Akku erst aus der Originalverpackung nehmen, wenn sie gebraucht werden.**
- **Setzen sie Sekundärzellen oder Batterien keinen mechanischen Stößen aus..**
- **Akku außerhalb der Reichweite von Kindern aufbewahren. Bei Verschlucken eines Akkus sofort einen Arzt aufsuchen.**
- **Akkus sauber und trocken halten.**
- **Akkuanschlüsse mit einem sauberen, trockenen Tuch abwischen, wenn sie verschmutzt sind.**
- **Akku muss vor dem Gebrauch aufgeladen werden.** Verwenden Sie stets das zugehörige Ladegerät. Entsprechende Anweisungen zum Aufladen finden Sie in den Herstelleranweisungen oder in der Bedienungsanleitung.
- **Laden sie einen Akku nicht übermäßig lange auf, wenn er nicht gebraucht wird.**
- **Nach längerer Lagerung müssen die Akkus unter Umständen mehrmals entladen und aufgeladen werden, um wieder die maximale Leistung zu erhalten.**
- **Bewahren Sie die originale Produktdokumentation zum späteren Nachschlagen auf.**
- **Akkus dürfen nur für den vorgesehenen Zweck eingesetzt werden.**
- **Sofern möglich, entfernen sie den Akku aus dem Gerät, wenn es nicht benutzt wird.**
- **Entsorgen sie den Akku auf ordnungsgemäße Weise.**

REPARATUR

- **Befolgen sie die Hinweise zur Wartung in dieser Bedienungsanleitung.** Die Verwendung von nicht zugelassenen Teilen oder ein Nichtbefolgen der Wartungsanleitung kann zu Stromschlägen oder Verletzungen führen.

SPEZIELLE HINWEISE ZUR SICHERHEIT

- **Lernen sie Ihr Elektrowerkzeug kennen. Lesen sie die Bedienungsanleitung sorgfältig durch. Kennen sie sowohl die Anwendungsgebiete und Beschränkungen als auch die spezifischen möglichen Gefahrenquellen des Werkzeugs.** Wenn Sie diese Regeln befolgen, verringern sie das Risiko für Stromschläge, Feuer und Verletzungen.

- **Akkuwerkzeuge müssen nicht mit einer Steckdose verbunden werden; daher sind sie stets einsatzbereit.** Achten sie auf mögliche Risiken, wenn sie das akkubetriebene Werkzeug nicht verwenden. Entfernen sie immer den Akku, bevor sie Zubehörteile austauschen. Das Befolgen dieser Regel verringert die Gefahr von Stromschlägen, Feuer oder schweren Verletzungen.
- **Den Akku nicht quetschen, fallen lassen oder beschädigen. Akkus oder Ladegeräte, die auf den Boden gefallen sind oder heftige Schläge oder Stöße erlitten haben, dürfen nicht benutzt werden.** Ein beschädigter Akku kann explodieren. Heruntergefallene oder beschädigte Akkus vorschriftsmäßig entsorgen.
- **Laden sie den Akku nicht an einem feuchten oder nassen Ort auf.** Das Befolgen dieser Regel verringert die Gefahr von Stromschlägen.
- **Um die besten Ergebnisse zu erzielen, sollte ihr Akku an einem Ort aufgeladen werden, an dem die Temperatur höher als 0° C und niedriger als 40° C ist.** Lagern sie den Akku nicht draußen oder in Fahrzeugen.
- **Lassen Sie keine Produkte auf Benzin-, Öl-, Petroleumbasis usw. mit den Kunststoffteilen in Berührung kommen.** Diese Substanzen enthalten Chemikalien, die Kunststoff beschädigen, schwächen oder zerstören können.
- **Lassen sie Ihren Akkusatz von einer qualifizierten Fachkraft und nur mit identischen Ersatzteilen reparieren.** Dadurch wird gewährleistet, dass die Sicherheit des Akkusatzes gewahrt wird.
- **Heben Sie diese Anleitung auf.** Schlagen Sie gegebenenfalls darin nach und verwenden sie diese , um Andere in die Verwendung des Gerätes einzuweisen. Falls sie dieses Werkzeug an Andere verleihen, händigen sie ihnen auch diese. Anleitungen aus, um Missbrauch des Produktes und möglichen Verletzungen vorzubeugen.

TECHNISCHE DATEN

Nennspannung	56V
Maximale Kapazität	1568Wh
Passendes Ladegerät	CHX5500E
Ladestrom	Schnellladen: 8A Normales Laden: 4A
Ladedauer	Schnellladen: Ca. 3,5Std. Normales Laden: Ca. 7Std.
Passende Elektrowerkzeuge	LBX6000, HTX6500, BCX3800
Gewicht	8,7kg
Umgebungstemperaturbereich für das Entladen	-20°C~40°C

BESCHREIBUNG

AUFBAU IHRES AKKUS (Abb. A)

1. Kabel
2. Griff
3. USB-Anschluss
4. USB/DC-Schalter
5. 12-DC-Anschluss
6. Betriebsanzeige und Schalter
7. Befestigungsfeder für Schultergurt
8. Befestigungsfeder für Gurtband
9. Sicherungsabdeckung
10. Schultergurt
11. Halterung
12. Netz
13. Gurtband
14. Gurtzeug (separat erhältlich)
15. Hüftpolster (separat erhältlich)

VORGANG

BETRIEBSANZEIGE AM AKKU (Abb. B)

Dieser Lithium-Ionen-Rucksack-Akku ist mit einer Betriebsanzeige ausgestattet, die den Ladestand und Fehler des Akkus anzeigt. Drücken Sie die Betriebsanzeige, um die Ladekapazität abzulesen, wenn der Akku nicht geladen wird. Die LED-Anzeige leuchtet 10 Sekunden lang auf.

- Während des Ladevorgangs kann die LED-Anzeige verschiedene unten aufgeführte Schnittstellen angezeigt, ohne dass die Umschalttaste gedrückt wird.

AUFLADEN						
Akkukapazität/Fehler	LEDs					Bemerkungen
	1	2	3	4	5	
<20 %	Blinkt grün	Aus	Aus	Aus	Aus	1 blinkt
20 % ≤ Kapazität < 40 %	Ein	Blinkt grün	Aus	Aus	Aus	1 leuchtet, 1 blinkt
40 % ≤ Kapazität < 60 %	Ein	Ein	Blinkt grün	Aus	Aus	2 leuchten, 1 blinkt
60 % ≤ Kapazität < 80 %	Ein	Ein	Ein	Blinkt grün	Aus	3 leuchten, 1 blinkt
80 % ≤ Kapazität < 100 %	Ein	Ein	Ein	Ein	Blinkt grün	4 leuchten, 1 blinkt
Kapazität = 100 % (vollständig aufgeladen)	Ein	Ein	Ein	Ein	Ein	5 leuchtet mehrere Minuten, schaltet dann aus
Akku kann nicht aufgeladen werden	Aus	Aus	Aus	Aus	Aus	5 LED-Lampen sind alle ausgeschaltet
Akku außerhalb des zulässigen Temperaturbereichs	Aus	Aus	Aus	Aus	Aus	5 LED-Lampen sind alle ausgeschaltet

Wenn der Rucksack-Akku entladen oder nicht unbenutzt wird, **DRÜCKEN SIE DEN SCHALTER**, Daraufhin wird mit der LED-Anzeige eine andere Schnittstelle angezeigt, als die zum Laden wie unten gezeigt.

ENTLADEN/UNBENUTZT						
Akkukapazität/Fehler	LEDs					Bemerkungen
	1	2	3	4	5	
80 % < Kapazität ≤ 100 %	Ein	Ein	Ein	Ein	Ein	5 LEDs leuchten 10 Sekunden lang nach dem Drücken der Taste.
60 % < Kapazität ≤ 80 %	Ein	Ein	Ein	Ein	Aus	4 LEDs leuchten 10 Sekunden lang nach dem Drücken der Taste.
40 % < Kapazität ≤ 60 %	Ein	Ein	Ein	Aus	Aus	3 LEDs leuchten 10 Sekunden lang nach dem Drücken der Taste.
20 % < Kapazität ≤ 40 %	Ein	Ein	Aus	Aus	Aus	2 LEDs leuchten 10 Sekunden lang nach dem Drücken der Taste.
10 % < Kapazität ≤ 20 %	Ein	Aus	Aus	Aus	Aus	1 LED leuchtet 10 Sekunden lang nach dem Drücken der Taste.
≤10%	Blinkt grün	Aus	Aus	Aus	Aus	1 LED blinkt 10 Sekunden lang nach dem Drücken der Taste.
Unter Spannung (<2,7 V)	Blinkt rot	Blinkt rot	Blinkt rot	Blinkt rot	Blinkt rot	5 rote LEDs blinken 10 Sekunden lang nach dem Drücken der Taste.
Akku außerhalb des zulässigen Temperaturbereichs	Leuchtet rot	Leuchtet rot	Leuchtet rot	Leuchtet rot	Leuchtet rot	5 rote LEDs leuchten 10 Sekunden lang nach dem Drücken der Taste.

SCHUTZ DES AKKUS

Die Akkuelektronik schützt den Akku vor extremen Temperaturen, vor einer Tiefentladung und einer zu langen Aufladung. Um den Akku vor Beschädigungen zu schützen und seine Lebensdauer zu verlängern, schaltet die Akkuelektronik den Akku vor einer Überladung oder bei zu hohen oder zu niedrigen Temperaturen während des Gebrauchs. Dies kann bei extrem großen Drehmomenten, durch Festfressen und Blockieren passieren.

- Bei einem Ladevorgang schaltet sich der Akku ab und alle 5 LEDs werden ausgeschaltet, wenn die Temperatur 60 °C übersteigt oder unter 0 °C absinkt. Sobald sich die Temperatur innerhalb von 90 Minuten wieder normalisiert hat, kehrt die Batterie automatisch in den Betriebsmodus zurück. Andernfalls wird der Akku ausgeschaltet. Stecken Sie den Stecker wieder in das Ladegerät, um den Ladevorgang wieder zu aktivieren.

- Der Akku schaltet sich auch ab und alle 5 LEDs sind aus, wenn die Spannung einer Akkuzelle die Schutzspannung überschreitet. Es wird empfohlen, den Akku sofort zu entladen. Wenn Sie diesen Tipp mehrmals wiederholt müssen, wenden Sie sich bitte an Ihr EGO-Kundendienstzentrum.
- Wenn die Temperatur des Akkus beim Entladen 70°C über- oder -20°C unterschreitet, schaltet sich der Akku ab, wobei die 5 LED nach dem Drücken der Taste 10 Sek. lang rot leuchten. Der Akku wird in beiden Fällen den Betrieb wieder fortsetzen, sobald eine normale Temperatur erreicht wird, und das Elektrowerkzeug kann erneut gestartet werden.
- Wenn die Spannung einer Akkuzelle 2,7 V unterschreitet, schaltet sich der Akku aus und nach dem Drücken der Taste blinken 5 LEDs 10 Sek. lang. Es empfiehlt sich, die Arbeit zu unterbrechen und den Akku sofort aufzuladen. Wenn dieses Problem wiederholt auftritt, wenden Sie sich an Ihren Servicetechniker.

⚠️ WARNUNG: Der Akku darf unter keinen Umständen erwärmt werden.

AKKU AUFLADEN

Der Akku ist bei Auslieferung teilweise geladen. Vor dem ersten Gebrauch sollte der Akku aufgeladen werden.

⚠️ WARNUNG: Akku nicht im Freien aufladen oder nassen oder feuchten Umgebungsbedingungen aussetzen. Wenn Wasser in das Ladegerät oder den Akku eindringt, besteht erhöhte Stromschlaggefahr. Weitere Einzelheiten entnehmen Sie bitte der Bedienungsanleitung des EGO CHX5500E Ladegeräts.

1. Verbinden Sie das Ladegerät mit der Stromversorgung (220 - 240 V ~50 Hz).
2. Stecken Sie den Akkustecker in das Ladegerät ein.
3. Beim Aufladen des Akkus im normalen Lademodus blinkt die grüne LED1 am Ladegerät. Nachdem die grüne Taste mindestens 1 Sek. lang gedrückt wurde, wird aus dem normalen Ladevorgang (Ladestrom 4A) in einen Schnellladevorgang (Ladestrom 8A) umgeschaltet und die grüne LED2 am Ladegerät blinkt bei ausgeschalteter LED1.
4. Wenn am Akku 5 LEDs permanent grün leuchten, ist der Akku vollständig aufgeladen. Warten Sie, bis der Lüfter des Ladegeräts stillsteht, entfernen Sie den Akku aus dem Ladegerät und ziehen Sie den Ladegerätstecker aus der Steckdose.

HINWEIS:

- Der Akku lädt sich vollständig auf, wenn er auf dem Ladegerät gelassen wird, er ist aber vor dem Überladen geschützt.

- Weitere Anweisungen finden Sie in der Bedienungsanleitung des Ladegeräts EGO CHX5500E.
- Eine deutlich kürzere Laufzeit nach dem vollständigen Aufladen des Akkus weist daraufhin, dass der Akku allmählich verbraucht ist und ausgewechselt werden muss.
- Wenn Sie den Stecker nicht vollständig in die Steckdose gesteckt haben, blinkt die LED des Ladegeräts ständig.
- Beim Aufladen wird das Ladegerät warm. Dies ist eine normale Betriebseigenschaft des Ladegeräts. Laden Sie Akkus an einem gut belüfteten Ort auf.

USB/12V DC

Öffnen Sie die Gummiabdeckung und stecken Sie den USB- bzw. DC-Stecker in den USB- bzw. DC-Anschluss (Abb. C und D). Drücken Sie dann den USB/DC-Schalter. Daraufhin versorgt der Akku die angeschlossenen Geräte über den USB- bzw. DC-Anschluss mit Strom.

C-1	Gummiabdeckungen	D-2	DC-Anschluss 12V
D-1	USB-Anschluss	D-3	USB-/DC-Schalter

HINWEIS:

- Die Funktionen der USB- und 12V-DC-Stromversorgung können gleichzeitig mit der 56V-Stromversorgung verwendet werden. Nach der Verwendung von USB/12V DC ziehen Sie den USB- bzw. DC-Stecker heraus und setzen Sie die Gummiabdeckung wieder ein.
- Der USB bzw. 12V DC darf nicht verwenden, während der Akku geladen wird.

GURTZEUG AN AKKU ANSCHLIESSEN BZW. VOM AKKU TRENNEN

Anschließen

Richten Sie die vier Fixierrippen am Rahmen an den Befestigungsnuten aus und verbinden Sie den Fixierschlitz am Gürtel mit der Gürtel-Befestigungsfeder. Schieben Sie dann das Gurtsystem nach oben, bis Sie ein Klicken hören. (Abb. E).

E-1	Montagenut	E-3	Positionsrippe an Gurt
E-2	Positionsrippe an Halterung		

Trennen

Drücken Sie die Freigabetasten am Gurtzeug hinter der Halterung und ziehen Sie das Gurtzeug heraus (Abb. F).

AKKU ANLEGEN

Im Normalbetrieb wird der Akku mit dem Gurtzeug auf dem Rücken getragen. Zur Vorbeugung von Ermüdungserscheinungen und für ein bequemes Arbeiten ist das Gurtzeug mit einer Schnalle an Beckengurt und Schultergurt ausgestattet, wodurch Bewegungsfreiheit gewährleistet wird.

Die Gurtlänge des Beckengurtes und der Schultergurte ist beliebig einstellbar. Das Rückenpolster sollte fest und sicher auf dem Rücken sitzen.

- Stellen Sie die Länge des Becken- und Schultergurtes vor Aufnahme der normalen Arbeit so ein, dass sie bequem sitzen. Sie können die Länge mithilfe der Schnalle an Becken- und Schultergurt an Ihren Körperumfang anpassen.
- Stecken Sie die beiden Teile der Gürtelschnalle und der Brustschnalle ineinander, bis sie hörbar einrasten (Abb. G und H).
- Stellen Sie die Höhe der Brustschnalle so ein, dass Sie sich bequem bewegen können (Abb. I).
- Passen Sie die Länge des Becken- und Brustgurts an.
- Stecken Sie den überschüssigen Becken- und Brustgurt in die Gummilösen auf beiden Seiten (Abb. J).

BEFESTIGEN UND LÖSEN DES AKKUS

Vor dem ersten Gebrauch aufladen

Führen Sie das Kabel des Akkus um die Seite des Körpers herum und verbinden Sie den Adapter mit dem 1,5 m langen Verbindungskabel. Befolgen Sie dazu die Anweisungen in der Bedienungsanleitung des jeweiligen Elektrowerkzeugs.

Installation (Abb. K)

Stecken Sie den Stecker in das Elektrowerkzeug, bis das grüne Siegel vollständig im Anschluss verschwunden ist, wobei das ▲ -Logo auf Stecker und Elektrowerkzeug ausgerichtet werden muss.

Entfernen

Ziehen Sie den Stecker aus den Elektrowerkzeugen.

▲ WARNUNG: Nehmen Sie in einem Notfall den Akku sofort von Ihrer Schulter. Um den Akku schnell abzulegen, lösen Sie die Schnalle am Becken- und am Brustgurt und nehmen Sie die Schultergurte an jeder Seite ab.

▲ WARNUNG: Ziehen Sie die Schultergurte nicht zu fest, da es sonst schwierig sein kann, den Akku wieder abzunehmen.

▲ WARNUNG: Nur bestimmte EGO-Produkte können mit dem unter „TECHNISCHE DATEN“ aufgelisteten Akku verwendet werden. Wir empfehlen Ihnen, den Akku nicht an anderen Elektrowerkzeugen zu verwenden.

WARTUNG

▲ WARNUNG: Der Akku muss in einem von EGO qualifizierten Servicezentrum und Technikern repariert oder ersetzt werden.

▲ WARNUNG: Um schwere Verletzungen zu vermeiden, entfernen Sie immer den Akku aus dem Gerät, wenn sie Zubehör auswechseln, das Gerät säubern, oder Wartungsarbeiten vornehmen.

▲ WARNUNG: Verwenden sie für die Wartung nur identische EGO Ersatzteile. Die Verwendung anderer Teile kann Unfälle und Schäden am Produkt hervorrufen.

▲ WARNUNG: Falls das Reinigen mit Druckluft die einzige Methode ist, die zur Verfügung steht, tragen Sie immer eine Sicherheitsbrille mit Seitenschutz. Falls bei dem Vorgang Staub entsteht, tragen Sie außerdem eine Staubmaske.

LAUFENDE WARTUNGSARBEITEN

Verwenden sie keine Lösungsmittel zum Reinigen der Kunststoffteile. Die meisten Kunststoffe reagieren empfindlich auf die verschiedenen Arten von handelsüblichen Lösungsmitteln und können durch deren Benutzung beschädigt werden. Nehmen sie einen sauberen Lappen, um Schmutz, Staub, Öl, Fett usw. zu entfernen.

▲ WARNUNG: Lassen sie niemals Bremsflüssigkeit, Benzin, erdöhlhaltige Produkte, durchdringende Öle usw. in Kontakt mit den Kunststoffteilen kommen. Chemikalien können Kunststoffe beschädigen, angreifen oder zerstören, was zu schweren Verletzungen führen kann.

AKKU

Zerlegen Sie den Akkupack nicht und versuchen Sie nicht, die Zellen auszutauschen. Die Handhabung der Batterien, insbesondere beim Tragen von Ringen und Schmuckstücken, kann zu schweren Verbrennungen führen. Um eine möglichst lange Batteriebensdauer zu erreichen, müssen Sie die Bedienungsanleitung lesen und verstehen.

▲ WARNUNG: Es empfiehlt sich, den Stecker des Ladeegerätes zu ziehen und den Akku zu entnehmen, wenn er nicht gebraucht wird.

ENTFERNEN DES AKKUS UND VORBEREITUNG FÜR DAS RECYCLING



Li-ion

Ladegeräte und Batterien/Akkus dürfen nicht im Hausmüll entsorgt werden! Im Einklang mit der europäischen Richtlinie 2012/19/EG müssen elektrische und elektronische Altgeräte separat gesammelt und umweltgerecht entsorgt werden. Dasselbe gilt auch für defekte oder verbrauchte Akkus/Batterien nach der europäischen Richtlinie 2006/66/EG.

Ziehen Sie Ihre Müllabfuhr vor Ort zurate, um Informationen über verfügbare Recycling- und/oder Entsorgungsmöglichkeiten zu erhalten.

⚠️ WARNUNG: Wenn der Akku zur Entsorgung bzw. Wiederverwertung aus dem Werkzeug genommen wird, müssen die elektrischen Kontakte des Akkus mit Klebeband abgeklebt werden. Versuchen Sie nicht, den Akku zu zerstören, zu zerlegen oder bestimmte Komponenten auszubauen. Lithium-Ionen-Akkus müssen vorschriftsmäßig recycelt bzw. entsorgt werden. Die elektrischen Kontakte dürfen außerdem niemals mit Metallobjekten und/oder Körperteilen berührt werden, da hierbei die Gefahr eines Kurzschlusses besteht. Vor Kindern fernhalten. Bei Nichteinhaltung dieser Warnhinweise besteht Brandgefahr und/oder schwere Verletzungsgefahr.

STÖRUNGSBESEITIGUNG

PROBLEM	URSACHE	LÖSUNG
Das Elektrowerkzeug funktioniert nicht.	<ul style="list-style-type: none"> ■ Kein elektrischer Kontakt zwischen Elektrowerkzeug und Akku. ■ Akku ist leer. ■ Akku oder Elektrowerkzeug ist zu heiß. ■ Das Kabel oder der Stecker ist defekt. ■ Die Spannung einer Akkuzelle unterschreitet 2,7 V. 	<ul style="list-style-type: none"> ■ Akku am Elektrowerkzeug anschließen. ■ Akku aufladen. ■ Akku oder Elektrowerkzeug abkühlen lassen, bis die Temperatur wieder im normalen Bereich liegt. ■ EGO-Kundendienstzentrum kontaktieren. ■ Akku sofort aufladen.
Akku kann nicht aufgeladen werden	<ul style="list-style-type: none"> ■ Die Akkutemperatur über- oder unterschreitet den angegebenen Wert. ■ Kein elektrischer Kontakt zwischen Akku und Ladegerät. ■ Die Verbindung zwischen Ladegerät und Stromquelle ist unterbrochen. 	<ul style="list-style-type: none"> ■ Laden oder Entladen abbrechen, bis die Temperatur wieder im normalen Bereich liegt. ■ Akku wieder in das Ladegerät einsetzen. ■ Stecker des Ladegeräts wieder an die Stromquelle anschließen.

GARANTIE

EGO GEWÄHRLEISTUNGSRICHTLINIE

Bitte besuchen Sie unsere website egopowerplus.com mit den kompletten EGO Garantiebedingungen.

LIRE LE MANUEL D'UTILISATION(BATTERIE)

FR



LISEZ TOUTES LES INSTRUCTIONS !

⚠ Risques résiduels ! Les personnes portant des appareils électroniques, par exemple des stimulateurs cardiaques, doivent consulter leur(s) médecin(s) avant d'utiliser ce produit. L'utilisation d'un équipement électrique près d'un stimulateur cardiaque peut provoquer des interférences ou la panne du stimulateur cardiaque.

⚠ AVERTISSEMENT : Pour garantir la sécurité et la fiabilité, toutes les réparations et tous les changements de pièce doivent être effectués par un réparateur qualifié.

SYMBOLES DE SÉCURITÉ

L'objectif des symboles de sécurité est d'attirer votre attention sur des dangers potentiels. Les symboles de sécurité et les explications les accompagnant doivent être lus avec attention et compris. Les symboles de mise en garde ne permettent pas par eux-mêmes d'éliminer les dangers. Les consignes et mises en garde ne se substituent pas à des mesures de prévention appropriées des accidents.

⚠ AVERTISSEMENT : Lisez et comprenez impérativement toutes les consignes de sécurité de ce manuel d'utilisation, y compris les symboles de mise en garde de sécurité tels que « **DANGER** », « **AVERTISSEMENT** » et « **ATTENTION** » avant d'utiliser cet outil. Ne pas respecter toutes les consignes listées ci-après peut provoquer un choc électrique, un incendie et/ou des blessures corporelles graves.

⚠ AVERTISSEMENT : Risques d'incendie et de brûlures. Ne démontez pas, ne chauffez pas à plus de 100 °C et n'incinerez pas la batterie. Rangez la batterie dans son emballage d'origine hors de portée des enfants jusqu'à son utilisation. Mettez la batterie usagée au rebut rapidement et conformément aux réglementations locales relatives au recyclage et aux déchets.

CONSIGNES DE SÉCURITÉ

Cette page décrit des symboles de sécurité pouvant être présents sur ce produit. Lisez, comprenez et respectez toutes les instructions présentes sur le produit avant d'essayer de l'assembler et de l'utiliser.

	Alerte de sécurité	Indique un risque potentiel de blessure corporelle.
	Lire le manuel d'utilisation	Pour réduire le risque de blessures, l'utilisateur doit lire et comprendre le manuel d'utilisation avant d'utiliser ce produit.
	Symbole de recyclage	Ne pas jeter les batteries et les piles avec les ordures ménagères, ni dans un feu ou dans de l'eau. Les batteries/piles doivent être collectées, recyclées ou mises au rebut d'une manière respectueuse de l'environnement.
	CE	Ce produit est conforme aux directives CE applicables.
	DEEE	Les produits électriques usagés ne doivent pas être jetés avec les ordures ménagères. Apportez-les dans un centre de recyclage agréé.
V	Volt	Tension
A	Ampères	Courant
W	Watt	Puissance
min	Minutes	Durée
	Courant continu	Type ou caractéristique du courant

⚠ AVERTISSEMENT : Lisez et comprenez toutes les instructions. Ne pas respecter toutes les instructions peut provoquer un choc électrique, un incendie et/ou des blessures corporelles graves. Le terme « outil électrique » utilisé dans la plupart des mises en garde listées désigne les outils pour jardin et pelouse fonctionnant sur batterie (sans fil) EGO Power+.

SÉCURITÉ DE L'AIRE DE TRAVAIL

- **Maintenez l'aire de travail propre et bien rangée.**
Les aires de travail en désordre ou mal éclairées augmentent les risques d'accident.
- **N'utilisez pas les outils électriques dans les environnements explosifs, par exemple en présence de liquides, gaz ou poussières inflammables. Les outils électriques génèrent des étincelles pouvant enflammer les poussières et vapeurs.**

SÉCURITÉ ÉLECTRIQUE

- **N'exposez pas les outils électriques à la pluie ou à un environnement mouillé.** Si de l'eau pénètre dans un outil électrique, cela accroît le risque de choc électrique.
- **Utiliser exclusivement avec les chargeurs et outils électriques listés dans les « SPÉCIFICATIONS ».**

UTILISATION ET ENTRETIEN DE LA BATTERIE

- **Quand la batterie n'est pas utilisée, elle doit être rangée loin de tout objet métallique, tel que trombone, pièce de monnaie, clef, clou, vis et tout autre petit objet métallique qui risquerait de mettre en contact ses bornes.** Court-circuiter les bornes de la batterie peut provoquer des brûlures et un incendie.
- **Si la batterie est soumise à des conditions d'utilisation excessives, du liquide peut s'en échapper. Évitez tout contact avec ce liquide. En cas de contact accidentel, rincez à grande eau. En cas de contact avec les yeux, vous devez en outre consulter un médecin.** Le liquide qui s'échappe de la batterie peut provoquer des irritations et des brûlures.
- **Ne démontez pas, n'ouvrez pas et ne lacérez pas la batterie rechargeable.**
- **N'exposez pas la batterie à de la chaleur ou à des flammes.** Ne la rangez pas à la lumière directe du soleil.
- **Ne court-circuitiez pas une batterie ou un accumulateur.** Ne mettez pas des batteries ou des accumulateurs en désordre dans une boîte ou un tiroir, car ils risquent de se court-circuiter les uns les autres ou d'être court-circuités par des objets métalliques.
- **Ne retirez pas une batterie de son emballage d'origine tant que vous ne devez pas l'utiliser.**
- **Ne soumettez pas les batteries ou les accumulateurs à des chocs mécaniques.**
- **Veillez à ce que la batterie reste hors de portée des enfants. Consultez immédiatement un médecin si une batterie a été avalée.**
- **Maintenez la batterie propre et sèche.**

- **Essuyez les bornes de la batterie avec un chiffon propre et sec quand elles sont sales.**
- **La batterie secondaire doit être rechargée avant utilisation.** Utilisez toujours le chargeur approprié et consultez les consignes du fabricant ou du manuel d'utilisation de l'équipement pour connaître les instructions de recharge appropriées.
- **Ne laissez pas une batterie en recharge pendant longtemps quand vous ne l'utilisez pas.**
- **Après toute période de stockage prolongée, il peut être nécessaire de recharger et de décharger plusieurs fois la batterie pour qu'elle atteigne ses performances optimales.**
- **Conservez le manuel d'utilisation d'origine pour consultation ultérieure**
- **Utilisez exclusivement la batterie à l'application pour laquelle elle a été conçue.**
- **Quand cela est possible, retirez la batterie de l'outil quand vous ne l'utilisez pas.**
- **Mettez-la au rebut d'une manière appropriée.**

RÉPARATION

- **Respectez les instructions du chapitre Entretien de ce manuel d'utilisation.** L'utilisation de pièces non autorisées ou le non-respect des instructions d'entretien peut créer un risque de choc électrique ou de blessure.

CONSIGNES DE SÉCURITÉ SPÉCIFIQUES

- **Apprenez à connaître votre outil électrique. Lisez attentivement le manuel d'utilisation. Apprenez les applications et limites de l'outil, ainsi que les dangers potentiels spécifiques intrinsèques à l'outil.** Respecter cette règle permet de réduire les risques de choc électrique, d'incendie et de blessures graves.
- **Les outils alimentés par batterie n'ont pas à être branchés dans une prise électrique, ils sont donc toujours prêts à fonctionner.** Soyez conscient qu'il y a des dangers potentiels quand vous n'utilisez pas votre outil alimenté par batterie. Retirez toujours la batterie avant de changer un accessoire. Respecter cette règle permet de réduire les risques de choc électrique, d'incendie et de blessures corporelles graves.
- **N'écrasez pas, ne faites pas tomber et n'endommagez pas la batterie. N'utilisez pas une batterie ou un chargeur qui est tombé ou a reçu un coup violent.** Une batterie endommagée peut exploser. Mettez au rebut immédiatement et d'une manière appropriée toute batterie endommagée ou qui est tombée.

- **Ne rechargez pas la batterie dans un endroit humide ou mouillé.** Respecter cette règle permet de réduire le risque de choc électrique.
- **Pour des résultats optimaux, votre batterie doit être rechargée dans un endroit où la température est supérieure à 0 °C et inférieure à 40 °C.** Ne la rangez pas à l'extérieur ni dans un véhicule.
- **Veillez à ce qu'il n'y ait pas d'essence, d'huile, de produit à base de pétrole, etc., qui entre en contact avec les pièces en plastiques.** Ces substances contiennent des composés chimiques pouvant endommager, fragiliser ou détruire le plastique.
- **Faites réparer la batterie par un réparateur qualifié ne devant utiliser que des pièces de rechange identiques.** Cela permet de préserver la sécurité de la batterie.
- **Conservez ce manuel d'utilisation.** Consultez-le fréquemment et servez-vous-en pour instruire les autres personnes devant utiliser cet outil. Si vous prêtez cet outil à un tiers, prêtez-lui également ce manuel d'utilisation pour éviter l'utilisation incorrecte du produit et des blessures potentielles.

SPÉCIFICATIONS

Tension nominale	56V
Capacité max.	1568Wh
Chargeur compatible	CHX5500E
Courant de recharge	Recharge rapide : 8A Recharge normale : 4A
Temps de recharge	Recharge rapide : 3,5h environ Recharge normale : 7h environ
Outils électriques compatibles	LBX6000, HTX6500, BCX3800
Poids	8,7kg
Plage de températures ambiantes spécifiée pour la décharge	-20°C~40°C

DESCRIPTION

DESCRIPTION DE VOTRE BATTERIE (Image A)

1. Câble
2. Poignée
3. Port USB
4. Commutateur USB/CC
5. Prise d'alimentation (CC)
6. Bouton d'interrupteur et indicateur de charge
7. Ressort de fixation de sangle d'épaule
8. Ressort de fixation de sangle de ceinture
9. Capot de maintenance de fusible
10. Sangle d'épaule
11. Cadre
12. Filet
13. Ceinture
14. Harnais (vendu séparément)
15. Plaque de hanche (vendue séparément)

UTILISATION

INDICATEUR DE CHARGE SUR LA BATTERIE (Image B)

Cette batterie dorsale lithium-ion est équipée d'un indicateur de charge indiquant le niveau de charge de la batterie et des problèmes. Quand la batterie n'est pas en recharge, appuyez sur l'indicateur de charge pour afficher le niveau de charge. L'indicateur LED s'allume pendant 10 secondes.

- Pendant la recharge, l'indicateur LED peut afficher différentes informations listées ci-dessous sans que vous n'appuyiez sur le bouton d'interrupteur.

Erreur / Charge de la batterie	RECHARGE					Remarques
	LED					
	1	2	3	4	5	
< 20 %	Clignote en vert	Éteinte	Éteinte	Éteinte	Éteinte	1 Clignotante
20 % ≤ Charge < 40 %	Allumée	Clignote en vert	Éteinte	Éteinte	Éteinte	1 Allumée, 1 Clignotante
40 % ≤ Charge < 60 %	Allumée	Allumée	Clignote en vert	Éteinte	Éteinte	2 Allumées, 1 Clignotante
60 % ≤ Charge < 80 %	Allumée	Allumée	Allumée	Clignote en vert	Éteinte	3 Allumées, 1 Clignotante
80 % ≤ Charge < 100 %	Allumée	Allumée	Allumée	Allumée	Clignote en vert	4 Allumées, 1 Clignotante
Charge = 100 % (complètement rechargée)	Allumée	Allumée	Allumée	Allumée	Allumée	5 Allumées plusieurs minutes, puis éteintes
Impossible de recharger la batterie.	Éteinte	Éteinte	Éteinte	Éteinte	Éteinte	5 LED éteintes
La batterie est en surchauffe.	Éteinte	Éteinte	Éteinte	Éteinte	Éteinte	5 LED éteintes

Quand la batterie dorsale est en décharge ou inutilisée, **APPUYEZ SUR LE BOUTON D'INTERRUPTEUR** pour que l'indicateur LED affiche les indications suivantes qui diffèrent de celles de la recharge.

Erreur / Charge de la batterie	DÉCHARGE / INUTILISATION					Remarques
	LED					
	1	2	3	4	5	
80 % < Charge ≤ 100 %	Allumée	Allumée	Allumée	Allumée	Allumée	5 LED allumées pendant 10 s après appui sur le bouton.
60 % < Charge ≤ 80 %	Allumée	Allumée	Allumée	Allumée	Éteinte	4 LED allumées pendant 10 s après appui sur le bouton.
40 % < Charge ≤ 60 %	Allumée	Allumée	Allumée	Éteinte	Éteinte	3 LED allumées pendant 10 s après appui sur le bouton.
20 % < Charge ≤ 40 %	Allumée	Allumée	Éteinte	Éteinte	Éteinte	2 LED allumées pendant 10 s après appui sur le bouton.
10 % < Charge ≤ 20 %	Allumée	Éteinte	Éteinte	Éteinte	Éteinte	1 LED allumée pendant 10 s après appui sur le bouton.
≤ 10 %	Clignote en vert	Éteinte	Éteinte	Éteinte	Éteinte	1 LED clignotante pendant 10 s après appui sur le bouton.
Tension insuffisante (< 2,7 V)	Clignote en rouge	Clignote en rouge	Clignote en rouge	Clignote en rouge	Clignote en rouge	5 LED clignotant en rouge pendant 10 s après appui sur le bouton.
La batterie est en surchauffe.	Allumée en rouge	Allumée en rouge	Allumée en rouge	Allumée en rouge	Allumée en rouge	5 LED allumées en rouge pendant 10 s après appui sur le bouton.

PROTECTION DE LA BATTERIE

Le circuit de la batterie la protège d'une température, recharge ou décharge excessive. Pour éviter que la batterie ne soit détériorée et pour prolonger sa durée de vie, le circuit de la batterie l'éteint si elle est en surcharge ou si sa température devient trop élevée ou trop basse pendant l'utilisation. Cela peut se produire en cas de couple extrêmement élevé, de blocage ou de calage.

- Lors de la recharge, la batterie et les 5 LED peuvent s'éteindre si sa température est supérieure à 60 °C ou inférieure à 0 °C. Une fois que la température est redevenue normale après 90 minutes, la batterie se remet en fonctionnement automatiquement. Sinon, si elle reste éteinte, rebranchez la fiche dans le chargeur pour réactiver la recharge.
- La batterie et les 5 LED s'éteignent également si la tension d'une cellule de la batterie dépasse sa tension de protection. Il est recommandé de décharger immédiatement la batterie. Si ce problème réapparaît de nombreuses fois, contactez un centre de réparation EGO.
- Lors de la décharge, si la température de la batterie est supérieure à 70°C ou inférieure à -20°C, la batterie s'éteint et les 5 LED s'allument en rouge pendant 10 s si vous appuyez sur le bouton. La batterie se remet en fonctionnement dans les deux cas quand la température redevient normale et elle permet de réutiliser l'outil électrique.
- Quand la tension d'une cellule de la batterie est inférieure à 2,7 V, la batterie s'éteint et 5 LED clignotent en rouge pendant 10 s si vous appuyez sur le bouton. Il est recommandé de cesser le travail et de recharger immédiatement la batterie. Si ce problème se répète de nombreuses fois, contactez un réparateur.

⚠ AVERTISSEMENT : Vous ne devez jamais chauffer la batterie.

RECHARGER LA BATTERIE

La batterie est fournie partiellement chargée. Avant de l'utiliser pour la première fois, la batterie doit être rechargée.

⚠ AVERTISSEMENT : Ne rechargez pas la batterie en extérieur et ne l'exposez pas à des environnements mouillés ou humides. Si de l'eau pénètre dans le chargeur ou la batterie, cela accroît le risque de choc électrique. Pour obtenir des informations supplémentaires, consultez le manuel d'utilisation du chargeur EGO CHX5500E.

1. Branchez le chargeur dans l'alimentation électrique (220-240 V~ 50 Hz).
2. Insérez la fiche de la batterie dans le chargeur.
3. Quand la batterie est en recharge normale, la LED 1 verte du chargeur clignote. Après avoir appuyé sur le bouton vert pendant au moins 1 s, le mode de recharge normale (courant de recharge de 4A) bascule dans le mode recharge rapide (courant de recharge de 8A) et la LED 2 verte du chargeur clignote avec la LED 1 éteinte.
4. Les 5 LED de la batterie clignotent en vert en continu pour indiquer que la batterie est complètement rechargée. Attendez que le ventilateur de refroidissement du chargeur s'arrête, puis retirez la batterie du chargeur et débranchez le chargeur de l'alimentation électrique.

REMARQUE :

- Si la batterie complètement rechargée est laissée sur le chargeur, elle ne subira pas de surcharge.
- Respectez les instructions du manuel d'utilisation du chargeur EGO CHX5500E pour plus de détails.
- La réduction significative de l'autonomie de la batterie après une recharge complète indique qu'elle est en fin de vie et doit être remplacée.
- Si vous n'avez pas complètement inséré la fiche dans la prise prévue, la LED du chargeur clignote en continu.
- Le chargeur peut chauffer pendant la recharge. Cela fait partie de son fonctionnement normal. Effectuez les recharges dans un endroit bien aéré.

USB/12V CC

Retirez les capuchons en caoutchouc et branchez les fiches USB/CC dans les prises USB/CC (Images C et D). Puis appuyez sur le commutateur USB/CC pour que la batterie alimente l'appareil branché dans le port USB ou la prise CC de la batterie.

C-1	Capuchons en caoutchouc	D-2	Prise 12V CC
D-1	Port USB	D-3	Commutateur USB/CC

REMARQUE :

- L'alimentation du port USB et de la prise 12V CC est disponible en même temps que l'alimentation 56V. Après avoir utilisé le port USB ou la prise 12V CC, débranchez les fiches USB/CC et remettez les capuchons en caoutchouc en place.
- N'utilisez pas le port USB et la prise 12V CC pendant la recharge de la batterie.

ATTACHER ET DÉTACHER LE HARNAIS DE LA BATTERIE

Attacher

Alignez les quatre parties saillantes du cadre avec les rainures d'assemblage et assemblez la rainure de positionnement de ceinture avec le ressort de fixation de ceinture. Puis faites glisser le harnais vers le haut jusqu'au déclic. (Image E).

E-1	Rainures de fixation	E-3	Ergot de fixation de la ceinture
E-2	Ergot de fixation du cadre		

Détacher

Appuyez sur les deux boutons de déverrouillage du harnais derrière le cadre et faites glisser le harnais hors de la batterie (Image F).

PORTER LA BATTERIE

Pour l'usage normal, la batterie avec le harnais est portée sur le dos. Pour prévenir la fatigue et travailler confortablement, le harnais est pourvu d'une jonction de ceinture ventrale et de jonctions de sangle d'épaule qui garantissent la liberté de mouvement.

Les longueurs de la ceinture ventrale et des sangles d'épaule sont réglables. Le coussin dorsal doit être solidement positionné sur votre dos.

- Réglez la longueur de la ceinture et des sangles d'épaule pour que le port soit confortable pendant le travail normal. La longueur doit être adaptée à votre taille via les jonctions de ceinture et de sangle d'épaule.
- Insérez les deux parties de la boucle de ceinture et de la boucle de poitrine l'une dans l'autre jusqu'au déclic (Images G et H).
- Réglez la hauteur de la boucle de poitrine pour que le port soit confortable (Image I).
- Réglez à nouveau la longueur de la sangle de ceinture et de la sangle de poitrine.
- Insérez la longueur en excès de la ceinture autour de la taille et la longueur en excès de la sangle de poitrine dans l'élastique (Image J).

ASSEMBLER OU DÉMONTER LA BATTERIE

Recharger avant la première utilisation

Guidez le câble de 1,5 m de la batterie autour de son boîtier sur le côté et branchez-le dans l'outil électrique. Consultez les instructions du manuel des outils électriques pour plus de détails.

Installation (Image K)

Alignez les symboles ▲ de la fiche et de l'outil électrique et branchez la fiche dans l'outil électrique jusqu'à ce que le joint vert disparaisse complètement dans la prise.

Retrait

Débranchez la fiche hors de l'outil électrique.

⚠ AVERTISSEMENT : En cas d'urgence, retirez immédiatement la batterie de vos épaules. Ouvrez les boucles de ceinture et de poitrine, puis retirez le harnais d'épaule de chaque côté aussi vite que possible.

⚠ AVERTISSEMENT : Ne serrez pas excessivement les sangles d'épaule, car elles peuvent rendre le retrait de la batterie difficile.

⚠ AVERTISSEMENT : Seuls certains produits EGO sont compatibles avec la batterie, ce sont ceux listés dans les « SPÉCIFICATIONS ». Nous vous recommandons de ne jamais utiliser la batterie avec d'autres outils.

ENTRETIEN

⚠ AVERTISSEMENT : La batterie doit être réparée ou remplacée par des techniciens et un centre de réparation qualifiés EGO.

⚠ AVERTISSEMENT : Afin de vous prémunir contre des blessures corporelles graves, retirez toujours la batterie de l'outil avant de changer un accessoire et avant toute opération de nettoyage ou d'entretien.

⚠ AVERTISSEMENT : Les réparations ne doivent être effectuées qu'avec des pièces de rechange EGO identiques. L'utilisation de toute autre pièce peut créer un danger ou détériorer le produit.

⚠ AVERTISSEMENT : Si le nettoyage à l'air comprimé est la seule méthode utilisée, portez toujours un masque de sécurité ou des lunettes de sécurité avec boucliers latéraux. L'utilisateur doit également porter un masque antipoussière si l'utilisation génère des poussières.

ENTRETIEN GÉNÉRAL

N'utilisez pas de solvant pour nettoyer les pièces en plastique. La plupart des plastiques peuvent être détériorés par de nombreux solvants différents vendus dans le commerce. Utilisez des chiffons propres pour enlever les saletés, les poussières, l'huile, la graisse, etc.

⚠ AVERTISSEMENT : Veillez à ce que les pièces en plastique de l'outil n'entrent jamais en contact avec du liquide de frein, de l'essence, des produits à base de pétrole, du dégrissant, etc. Les produits chimiques peuvent endommager, fragiliser ou détruire les pièces en plastique, ce qui peut provoquer des blessures corporelles graves.

BATTERIES

Ne désassemblez pas la batterie et n'essayez pas de remplacer ses cellules. Manipuler les batteries, notamment en portant des bagues et des bijoux, peut provoquer de graves brûlures. Pour maximiser la durée de vie de la batterie, lisez et comprenez son manuel d'utilisation.

⚠ AVERTISSEMENT : Il est préférable de toujours débrancher le chargeur et de retirer la batterie quand ils ne sont pas utilisés.

RETRAIT ET PRÉPARATION DE LA BATTERIE AVANT RECYCLAGE



Li-ion

Ne jetez pas le chargeur de batterie, les batteries rechargeables/accumulateurs avec les ordures ménagères ! Conformément à la directive européenne 2012/19/UE, les équipements électriques et électroniques qui ne sont plus utilisables, et conformément à la directive européenne 2006/66/CE, les batteries rechargeables et les accumulateurs usagés ou défectueux doivent être collectés séparément et mis au rebut d'une manière respectueuse de l'environnement.

Contactez l'organisme local de gestion des déchets pour obtenir des informations concernant les possibilités existantes de mise au rebut et/ou de recyclage.

⚠ AVERTISSEMENT : Lors du retrait de la batterie pour la recycler ou la mettre au rebut, recouvrez ses contacts avec du ruban adhésif épais. N'essayez pas de détruire ou de démonter la batterie ni de retirer l'un de ses composants. Les batteries lithium-ion doivent être recyclées ou mises au rebut d'une manière appropriée. Ne touchez jamais leurs contacts avec des objets métalliques et/ou des parties de votre corps, car cela peut provoquer un court-circuit. Maintenez-le éloigné des enfants. Ne pas respecter ces mises en garde peut provoquer des blessures graves et/ou un incendie.

DÉPANNAGE

PROBLÈME	CAUSE	SOLUTION
L'outil électrique ne fonctionne pas.	<ul style="list-style-type: none">■ Il n'y a pas de contact électrique entre l'outil électrique et la batterie.■ La batterie est déchargée.■ La batterie ou l'outil électrique est trop chaud.■ Le câble ou la fiche est hors service.■ La tension d'une cellule de la batterie est inférieure à 2,7 V.	<ul style="list-style-type: none">■ Branchez la batterie dans l'outil électrique.■ Rechargez la batterie.■ Laissez la batterie ou l'outil électrique refroidir jusqu'à ce que sa température devienne normale.■ Contactez un centre de réparation EGO.■ Rechargez la batterie immédiatement.
Impossible de recharger la batterie.	<ul style="list-style-type: none">■ La température de la batterie est supérieure ou inférieure aux valeurs spécifiées.■ Il n'y a pas de contact électrique entre la batterie et le chargeur.■ Il y a un problème de connexion entre le chargeur et l'alimentation électrique.	<ul style="list-style-type: none">■ Stoppez la recharge ou la décharge tant que la température n'est pas redevenue normale.■ Insérez la batterie dans le chargeur.■ Rebranchez la fiche du chargeur dans l'alimentation électrique.

FR

GARANTIE

POLITIQUE DE GARANTIE EGO

Veuillez consulter le site egopowerplus.com pour trouver l'ensemble des modalités et conditions de la politique de garantie EGO.

LEER EL MANUAL DEL USUARIO (BATERÍA)



¡LEA TODAS LAS INSTRUCCIONES!

ES

⚠ ¡Riesgo residual! Aquellas personas con implantes electrónicos, tales como marcapasos, deberán consultar a su médico antes de utilizar este producto. La utilización de equipos eléctricos a proximidad de un marcapasos podría causar en este interferencias o averías.

⚠ ADVERTENCIA: Para garantizar la seguridad y fiabilidad de la herramienta, confíe cualquier reparación y sustitución de piezas que sea necesaria a personal técnico cualificado.

SÍMBOLOS RELACIONADOS CON LA SEGURIDAD

El propósito de los símbolos de seguridad es el de atraer su atención hacia los posibles peligros que conlleva la utilización del producto. Los símbolos de seguridad y las explicaciones que los acompañan requieren su máxima atención y comprensión. Por sí solos, los símbolos de advertencia no eliminan los posibles peligros que pudieran existir. Las instrucciones y advertencias que aquí se incluyen no son sustitutas en modo alguno de las medidas de prevención adecuadas que deben tomarse para evitar posibles accidentes.

⚠ ADVERTENCIA: Antes de utilizar esta herramienta, asegúrese de haber leído y entendido perfectamente todas las instrucciones incluidas en este Manual del usuario, incluidos todos los símbolos de aviso sobre seguridad, tales como “**PELIGRO**”, “**ADVERTENCIA**” y “**PRECAUCIÓN**”. De no observarse todas las instrucciones proporcionadas a continuación podría existir un riesgo de incendio, electrocución, así como de lesiones físicas graves.

⚠ ADVERTENCIA: Existe riesgo de provocar un incendio y sufrir quemaduras. No desmonte, incinere ni exponga el producto a temperaturas superiores a 100 °C. Mantenga el acumulador fuera del alcance de niños y guardado en su embalaje original hasta que vaya a utilizarlo. Elimine enseguida los acumuladores agotados cumpliendo las normativas locales sobre eliminación de residuos.

INSTRUCCIONES RELACIONADAS CON LA SEGURIDAD

Esta página muestra y describe los símbolos de seguridad que puede haber en este producto. Asegúrese de leer, entender perfectamente y observar todas las instrucciones estampadas o proporcionadas con el producto antes de proceder a su montaje y utilización.

	Aviso de seguridad	Indica una situación potencialmente peligrosa que, de no evitarse, podría dar lugar a lesiones físicas.
	Leer el Manual del usuario	Para reducir en lo posible el riesgo de lesiones, será necesario leer y entender perfectamente el Manual del usuario antes de proceder a utilizar este producto.
	Símbolos de reciclaje	No deseche las pilas/ baterías o acumuladores junto con los desperdicios domésticos ni arrojándolos al agua o al fuego. Las pilas/baterías o acumuladores deben recogerse, reciclarse o desecharse de manera que no suponga un peligro para el medio ambiente.
	CE	Este producto cumple las directivas de la CE aplicables.
	RAEE	Los productos eléctricos no deben eliminarse con la basura doméstica. Lívelos a un centro de reciclaje autorizado.
V	Voltios	Tensión
A	Amperios	Corriente
W	Watt	Potencia eléctrica
min	Minutos	Tiempo
	Corriente continua	Tipo o característica de la corriente

⚠ ADVERTENCIA: lea y comprenda todas las instrucciones. Si no se cumplen todas las instrucciones, puede producirse una descarga eléctrica, un incendio o lesiones graves. El término “herramienta eléctrica” que aparece en muchas advertencias aquí incluidas se refiere a las herramientas a batería (inalámbricas) para césped y jardín de la gama EGO Power+.

SEGURIDAD EN LA ZONA DE TRABAJO

- **Mantenga la zona de trabajo bien limpia y suficientemente iluminada.** Aquellas áreas desordenadas o insuficientemente iluminadas son más propensas a accidentes.
- **No utilice herramientas eléctricas en entornos explosivos, por ejemplo, en presencia de líquidos, gases o polvo inflamables.** Las herramientas eléctricas generan chispas que podrían actuar como detonante de vapores y partículas de polvo inflamables.

PAUTAS DE SEGURIDAD ELÉCTRICA

- **No exponga las herramientas eléctricas a la acción de la lluvia ni a entornos húmedos.** La penetración de agua en una herramienta eléctrica aumentará el riesgo de electrocución.
- **Utilizar solo con cargadores y herramientas eléctricas que se indican en el apartado “ESPECIFICACIONES”.**

UTILIZACIÓN Y CUIDADO DEL ACUMULADOR

- **Cuando no se esté utilizando el acumulador, manténgalo apartado de objetos metálicos como clips para papeles, monedas, llaves, clavos, tornillos, o cualquier otro objeto metálico pequeño que pudiera provocar un cortocircuito en sus terminales de corriente.** De cortocircuitarse los terminales del acumulador, podrían producirse quemaduras o incendios.
- **En condiciones de uso intensivo, es posible que se produzca una fuga de ácido de los acumuladores. Evite cualquier contacto con dicho electrolito. De producirse cualquier contacto accidental, enjuague la zona corporal afectada con abundante agua. Si el electrolito llegara a penetrar en los ojos, deberá solicitarse atención médica urgente.** El líquido emanado del acumulador podría causar irritación o quemaduras.
- **No desmonte, abra ni destruya la batería recargable.**

- **No exponga la batería al calor ni al fuego.** Evite guardarla en lugares expuestos a la acción directa de los rayos del sol.
- **No cortocircuite los acumuladores ni las pilas.** No guarde los acumuladores ni las pilas depositándolos de manera desordenada en el interior de una caja o cajón, donde existe el riesgo de que puedan cortocircuitarse con otros materiales metálicos.
- **No saque la batería de su embalaje original hasta que vaya a utilizarla.**
- **No someta los acumuladores ni las pilas a impactos mecánicos.**
- **Mantenga la batería fuera del alcance de los niños. Solicite inmediatamente atención médica en caso de ingestión de una batería.**
- **Mantenga la batería limpia y seca.**
- **Si se ensucian, limpie los terminales de la batería con un paño limpio y seco.**
- **La batería secundaria deberá cargarse antes de utilizarla.** Utilice siempre el cargador adecuado y consulte las instrucciones de carga en el manual del fabricante o el manual del equipo.
- **No deje el acumulador constantemente en carga si no tiene pensado utilizarlo.**
- **Si la batería se ha almacenado durante mucho tiempo, puede que sea necesario recargar y descargar varias veces para obtener un rendimiento óptimo.**
- **Conserve la documentación original del producto para futuras consultas.**
- **Utilice únicamente la batería para el propósito para el que ha sido diseñada.**
- **De ser posible, quite el acumulador de la herramienta cuando no la esté utilizando.**
- **Deséchelos de la manera adecuada.**

MANTENIMIENTO

- **Siga las instrucciones al respecto indicadas en el apartado titulado “Mantenimiento” del presente manual.** La utilización de piezas no aprobadas por el fabricante, así como de no observarse las Instrucciones de Mantenimiento proporcionadas podría aumentar el riesgo de sufrir electrocución o lesiones físicas.

PAUTAS DE SEGURIDAD ESPECÍFICAS

- **Familiarícese con su herramienta eléctrica. Lea detenidamente el manual del usuario. Infórmese pertinentemente de las diferentes aplicaciones para las que ha sido diseñada la herramienta, así como de sus limitaciones y posibles peligros potenciales específicos derivados de su utilización.** La observación de estas pautas contribuirá a reducir el riesgo de sufrir descargas eléctricas, lesiones graves, o provocar incendios.
- **Las herramientas que funcionan a batería no requieren enchufarse en una toma de corriente. Por lo tanto, siempre están listas para funcionar.** Sea consciente de los posibles peligros implicados, incluso cuando su herramienta a batería no esté en uso. Retire siempre el acumulador antes de proceder a sustituir accesorios. La observación de estas pautas contribuirá a reducir el riesgo de sufrir descargas eléctricas, lesiones graves, o provocar incendios.
- **No aplaste, deje caer ni dañe el acumulador. No utilice un acumulador o cargador que se haya caído al suelo o haya recibido un golpe fuerte.** Una batería dañada es propensa a explotar. Elimine inmediatamente del modo adecuado cualquier batería dañada o que se haya caído.
- **No recargue el acumulador en entornos húmedos o con excesiva condensación.** La observación de estas pautas contribuirá a reducir el riesgo de sufrir descargas eléctricas.
- **Para obtener los mejores resultados, deberá recargar su acumulador en lugares donde la temperatura ambiente sea superior a 0° C e inferior a 40° C.** No lo almacene en el exterior ni dentro de vehículos.
- **No permita en ningún momento que gasolina, aceites, productos derivados del petróleo, etc., entren en contacto con los elementos plásticos del producto.** Estas substancias contienen productos químicos que podrían dañar, debilitar o destruir el plástico.
- **Asegúrese de que las reparaciones que deban efectuarse en su acumulador las lleve a cabo personal técnico cualificado que, además, utilice únicamente piezas de recambio idénticas a las originales.** Solo de este modo podrá garantizarse la seguridad de uso del acumulador.
- **Conserve estas instrucciones.** Consúltelas con frecuencia y utilícelas para instruir a aquellas otras personas que vayan a usar esta herramienta. En caso de prestar esta herramienta a terceros, proporciónelas también estas instrucciones a fin de evitar su uso incorrecto y posibles riesgos de lesiones.

ESPECIFICACIONES

Tensión nominal	56V
Capacidad máx.	1568Wh
Cargador adecuado	CHX5500E
Corriente de carga	Carga rápida: 8A Carga normal: 4A
Tiempo de carga	Carga rápida: aproximadamente 3,5horas Carga normal: aproximadamente 7horas
Herramientas eléctricas adecuadas	LBX6000, HTX6500, BCX3800
Peso	8,7kg
Rango de temperatura ambiente especificado para la descarga	-20°C ~ 40°C

DESCRIPCIÓN

FAMILIARÍCESE CON EL ACUMULADOR (Fig. A)

1. Cable
2. Asa
3. Puerto USB
4. Conmutador USB/CC
5. Puerto de 12V CC
6. Indicador de potencia e interruptor
7. Resorte de fijación de la correa del hombro
8. Resorte de fijación del cinturón
9. Cubierta de los fusibles para servicio técnico
10. Correa del hombro
11. Bastidor
12. Red
13. Cinturón
14. Arnés (se vende por separado)
15. Accesorio de almohadilla para la cadera (se vende por separado)

FUNCIONAMIENTO

INDICADOR DE POTENCIA DEL ACUMULADOR (Fig. B)

Esta batería de mochila de ion de litio está equipada con un indicador de potencia que indica su nivel de carga y el fallo del acumulador. Pulse el indicador de potencia para ver la capacidad de la batería cuando no se esté cargando. El indicador LED se encenderá durante 10 segundos.

- En caso de carga, el indicador LED puede mostrar varias interfaces que se indican abajo sin necesidad de pulsar el interruptor.

ES

Capacidad de la batería / Error	CARGANDO					Notas
	LED					
	1	2	3	4	5	
<20%	Parpadeando en verde	Apagado	Apagado	Apagado	Apagado	1 parpadea
20% ≤ capacidad < 40%	Encendido	Parpadeando en verde	Apagado	Apagado	Apagado	1 encendido, 1 parpadea
40% ≤ capacidad < 60%	Encendido	Encendido	Parpadeando en verde	Apagado	Apagado	2 encendidos, 1 parpadea
60% ≤ capacidad < 80%	Encendido	Encendido	Encendido	Parpadeando en verde	Apagado	3 encendidos, 1 parpadea
80% ≤ capacidad < 100%	Encendido	Encendido	Encendido	Encendido	Parpadeando en verde	4 encendidos, 1 parpadea
Capacidad = 100% (carga completa)	Encendido	Encendido	Encendido	Encendido	Encendido	5 encendidos durante varios minutos, después se apagan
No se puede cargar la batería	Apagado	Apagado	Apagado	Apagado	Apagado	Los 5 LED estarán apagados
Temperatura de la batería demasiado alta	Apagado	Apagado	Apagado	Apagado	Apagado	Los 5 LED estarán apagados

Si la batería de mochila se está descargando o no se está utilizando, **PULSE EL INTERRUPTOR**. El indicador LED mostrará una interfaz diferente a la que aparece durante la carga, tal como se indica a continuación.

Capacidad de la batería / Error	DESCARGANDO/NO EN USO					Observaciones
	LED					
	1	2	3	4	5	
80% < capacidad ≤ 100%	Encendido	Encendido	Encendido	Encendido	Encendido	5 LED encendidos durante 10 segundos después de pulsar el botón
60% < capacidad ≤ 80%	Encendido	Encendido	Encendido	Encendido	Apagado	4 LED encendidos durante 10 segundos después de pulsar el botón
40% < capacidad ≤ 60%	Encendido	Encendido	Encendido	Apagado	Apagado	3 LED encendidos durante 10 segundos después de pulsar el botón
20% < capacidad ≤ 40%	Encendido	Encendido	Apagado	Apagado	Apagado	2 LED encendidos durante 10 segundos después de pulsar el botón
10% < capacidad ≤ 20%	Encendido	Apagado	Apagado	Apagado	Apagado	1 LED encendido durante 10 segundos después de pulsar el botón
≤10%	Parpadeando en verde	Apagado	Apagado	Apagado	Apagado	1 LED parpadea durante 10 segundos después de pulsar el botón
Tensión demasiado baja (<2,7 V)	Parpadeando en rojo	Parpadeando en rojo	Parpadeando en rojo	Parpadeando en rojo	Parpadeando en rojo	5 LED parpadean de color rojo durante 10 segundos después de pulsar el botón
Temperatura de la batería demasiado alta	Encendido permanentemente en rojo	Encendido permanentemente en rojo	Encendido permanentemente en rojo	Encendido permanentemente en rojo	Encendido permanentemente en rojo	5 LED encendidos de color rojo durante 10 segundos después de pulsar el botón

PROTECCIÓN DEL ACUMULADOR

El circuito integrado en la batería la protege de temperaturas extremas, descarga o carga excesiva. Para proteger la batería de daños y prolongar su vida útil, el circuito integrado en la batería la desactivará en caso de producirse sobrecargas o si la temperatura es demasiado alta o demasiado baja durante el uso. Esto puede producirse en situaciones de par de fuerza extremadamente alto, o si la herramienta se atasca o se usa de manera intensa.

- En caso de carga, el acumulador se apagará y los 5 indicadores LED se apagarán si la temperatura es mayor que 60 °C o menor que 0 °C. Cuando la temperatura regrese al valor normal, la batería volverá a funcionar automáticamente. De lo contrario, la batería se apagará. Vuelva a conectar el enchufe al cargador para reactivar la carga.

- El acumulador también se apagará y los 5 indicadores LED estarán apagados si la tensión de una célula de la batería supera la tensión de protección. Se recomienda descargar inmediatamente el acumulador. Si este problema se repite varias veces, póngase en contacto con los centros de servicio de EGO.
- Durante la descarga, si la temperatura del acumulador es mayor que 70°C o menor que -20°C, el acumulador se apagará y los 5 indicadores LED se encienden durante 10 segundos después de pulsar el botón. En ambas situaciones, el acumulador volverá a funcionar cuando se restablezca la temperatura normal, y se podrá volver a arrancar la herramienta.

- Si la tensión de una célula de la batería es menor que 2,7 V, el acumulador se apagará y los 5 indicadores LED parpadearán durante 10 segundos después de pulsar el botón. Se recomienda parar el trabajo y cargar el acumulador inmediatamente. Si esto sucede varias veces, póngase en contacto con el servicio técnico para solicitar asistencia.

⚠ ADVERTENCIA: No debe calentar el acumulador en ningún caso.

CARGAR EL ACUMULADOR

El acumulador se suministra parcialmente cargado. Antes de usarla por primera vez, hay que cargar la batería.

⚠ ADVERTENCIA: No cargue el acumulador al aire libre ni lo ponga a entornos húmedos o con excesiva condensación. La penetración de agua en el cargador o en el acumulador aumentará el riesgo de electrocución. Para conocer más detalles, consulte el manual del usuario del cargador EGO CHX5500E.

1. Enchufe el cargador a la alimentación eléctrica (220-240 V~50 Hz).
2. Introduzca el enchufe de la batería en el cargador.
3. Si el acumulador se está cargando normalmente, el indicador LED1 verde del cargador parpadea. Después de pulsar el botón verde durante 1 s como mínimo, la carga normal (corriente de carga 4A) cambiará a carga rápida (corriente de carga 8A) y el indicador verde LED2 del cargador parpadeará con el LED1 apagado.
4. Si los 5 LED del acumulador están encendidos permanentemente de color verde, significa que el acumulador está completamente cargado. Espere hasta que el ventilador de refrigeración del cargador se haya detenido. A continuación, saque el acumulador del cargador y desenchufe el cargador de la red eléctrica.

AVISO:

- El acumulador permanecerá totalmente cargado si se deja en el cargador enchufado a la red eléctrica, sin peligro de que llegue a sobrecargarse.
- Siga las instrucciones proporcionadas en el manual del usuario del cargador EGO CHX5500E para conocer más detalles.
- Si tras haber recargado totalmente el acumulador se observa una disminución importante de su rendimiento habitual, significa que el acumulador está llegando al final de su vida útil y deberá cambiarse por otro.
- Si no ha introducido el enchufe completamente en su lugar, el LED del cargador se encenderá continuamente.

- Es posible que el cargador se caliente durante la carga. Se trata de un fenómeno normal relacionado con el funcionamiento del cargador. Lleve a cabo la carga en una zona bien ventilada.

USB/12V CC

Quite las tapas de goma e inserte los conectores USB/CC en los puertos USB/CC (fig. C y D). A continuación, pulse el conmutador USB/CC. El acumulador alimentará los dispositivos conectados al mismo a través de los puertos USB o CC.

C-1	Tapas de goma	D-2	Puerto de 12V CC
D-1	Puerto USB	D-3	Conmutador USB/CC

AVISO:

- Las funciones de potencia de USB y 12V CC pueden funcionar con una fuente de energía de 56 V simultáneamente. Después de utilizar el USB/12V CC, desenchufe los conectores USB/CC y vuelva a colocar las tapas de goma en su lugar.
- No debe utilizarse el USB/12V CC mientras se está cargando el acumulador.

CONECTAR Y DESCONECTAR EL ARNÉS AL ACUMULADOR

Para conectarlo

Alinee los cuatro salientes del bastidor con las muescas de montaje y conecte la ranura de fijación en el cinturón con el resorte de fijación del cinturón. A continuación, deslice el arnés hacia arriba hasta que haga "clic" (fig. E).

E-1	Muesca de montaje	E-3	Nervadura en el cinturón
E-2	Nervadura en el bastidor		

Para desconectarlo

Pulse los dos botones de liberación en el arnés detrás del bastidor y deslice el arnés para sacarlo (fig. F).

PONERSE EL ACUMULADOR

En el funcionamiento normal, el acumulador con el arnés se lleva a la espalda. Para evitar la fatiga y trabajar cómodamente, el arnés está equipado con un cinturón abdominal y correas para los hombros, que garantizan la libertad de movimiento.

La longitud del cinturón abdominal y las correas de los hombros se puede ajustar libremente. El acolchado de la espalda debe ajustarse firmemente y de forma segura en la espalda.

- Ajuste la longitud del cinturón y las correas de los hombros para sentirse cómodo antes de empezar a trabajar normalmente. La longitud debe adecuarse a su cuerpo a través de las uniones en el cinturón y en las correas de los hombros.
- Inserte las dos piezas de la hebilla del cinturón y la hebilla del pecho una dentro de la otra, hasta que haga "clic" (fig. G y H).
- Ajuste la altura de la hebilla del pecho para que le resulte más cómodo (fig. I).
- Vuelva a ajustar la longitud del cinturón y la correa del pecho.
- Inserte la correa sobrante del cinturón alrededor de la cintura y la del pecho en el elástico (fig. J).

CONEXIÓN/DESCONEXIÓN DEL ACUMULADOR

Carga antes del primer uso

Pase el cable del acumulador alrededor del lateral del cuerpo y conecte la herramienta al cable de conexión de 1,5 m. Siga las instrucciones del manual de la herramienta para conocer más detalles.

Instalación (fig. K)

Con el símbolo ▲ alineado en el enchufe y en la herramienta, inserte el enchufe en la herramienta hasta que la junta verde desaparezca completamente dentro de la conexión.

Extracción

Saque el enchufe de la herramienta.

▲ ADVERTENCIA: En caso de emergencia, quítese el acumulador del hombro inmediatamente. Un método rápido para quitársela es abrir las hebillas del cinturón del pecho y quitarse el arnés de los dos hombros.

▲ ADVERTENCIA: No apriete demasiado las correas de los hombros, ya que podría resultar difícil quitar el acumulador.

▲ ADVERTENCIA: Este acumulador solo es compatible con determinados productos EGO, que se indican en el apartado "ESPECIFICACIONES". Le recomendamos que no use el acumulador en otras herramientas eléctricas.

MANTENIMIENTO

▲ ADVERTENCIA: Las reparaciones o sustituciones del acumulador deben realizarlas los técnicos cualificados y el centro de servicio de EGO.

▲ ADVERTENCIA: Para evitar posibles riesgos de lesiones físicas graves, asegúrese siempre de retirar el acumulador de la herramienta antes de proceder a su limpieza, sustituir accesorios o llevar a cabo cualquier tarea de mantenimiento.

▲ ADVERTENCIA: Cuando efectúe reparaciones en el producto, utilice únicamente piezas originales EGO idénticas a las instaladas de fábrica. La utilización de piezas diferentes o no homologadas podría suponer un peligro o causar daños en el producto.

▲ ADVERTENCIA: Si el único método de limpieza disponible es utilizando aire a presión, utilice siempre gafas de seguridad o gafas con protectores laterales. Asimismo, utilice mascarilla antipolvo si la operación efectuada genera polvo.

MANTENIMIENTO GENERAL

Evite utilizar disolventes para limpiar los elementos plásticos del producto. La mayoría de las piezas de plástico utilizadas son susceptibles de sufrir daños si se limpian con algunos de los tipos de disolventes de uso industrial disponibles en el mercado. Utilice paños limpios para eliminar la suciedad y los residuos de polvo, aceite, grasa, etc.

▲ ADVERTENCIA: No permita en ningún momento que líquido de frenos, gasolina, productos derivados del petróleo, aceites penetrantes, etc., entren en contacto con los elementos plásticos del producto. Los productos químicos podrían dañar, debilitar o destruir el plástico, con el consiguiente riesgo de provocar lesiones físicas graves.

ACUMULADORES

No desmonte el acumulador ni intente sustituir ninguna de sus células. Tenga cuidado al manipular las baterías. En particular, si lleva puestas joyas o anillos, ya que podrían provocar quemaduras graves. Para prolongar al máximo la vida útil del acumulador, lea y comprenda el manual del usuario.

▲ ADVERTENCIA: Se considera una buena práctica desenchufar el cargador y quitar el acumulador cuando no vaya a utilizarse.

EXTRACCIÓN DEL ACUMULADOR Y PREPARACIÓN PARA SU RECICLAJE



Li-ion

¡No elimine cargadores de baterías, acumuladores ni pilas recargables junto con los desperdicios domésticos! Tanto la Directiva europea 2012/19/UE sobre la eliminación de aparatos eléctricos y electrónicos inservibles como la Directiva europea 2006/66/CE sobre la eliminación de baterías o acumuladores defectuosos o agotados estipulan que dichos elementos deben ser objeto de una recogida selectiva y reciclarse o eliminarse de manera que no perjudique el medio ambiente.

Consulte a su empresa municipal de recogida de basuras para obtener información acerca de las opciones disponibles para el reciclaje y/o la eliminación de este tipo de materiales.

⚠ ADVERTENCIA: Tras retirar el acumulador para su eliminación o reciclaje, cubra sus terminales con cinta adhesiva reforzada. No intente destruir o desmontar el acumulador, ni retirar ninguno de sus componentes. Los acumuladores de ion de litio deberán reciclarse o eliminarse de la manera adecuada. Además, no toque nunca los terminales con objetos metálicos ni con partes del cuerpo, ya que podría provocar un cortocircuito. Manténgalo fuera del alcance de niños. Si no se tienen en cuenta estas advertencias, puede producirse un incendio o lesiones graves.

ES

SOLUCIÓN DE PROBLEMAS

ANOMALÍA	CAUSA	SOLUCIÓN
La herramienta eléctrica no funciona	<ul style="list-style-type: none"> ■ No hay contacto eléctrico entre el acumulador y la herramienta. ■ El acumulador está agotado. ■ El acumulador o la herramienta se han sobrecalentado. ■ El cable o el enchufe no funcionan. ■ La tensión de la célula de la batería es menor que 2,7 V. 	<ul style="list-style-type: none"> ■ Conecte el acumulador a la herramienta. ■ Recargue el acumulador. ■ Espere a que el acumulador o la herramienta se hayan enfriado lo suficiente hasta que su temperatura sea normal. ■ Póngase en contacto con los centros de servicio técnico de EGO. ■ Recargue el acumulador inmediatamente.
El acumulador no se puede cargar	<ul style="list-style-type: none"> ■ La temperatura de la batería es superior o inferior al valor especificado. ■ No hay contacto eléctrico entre el acumulador y el cargador. ■ La conexión entre el cargador y la fuente de energía está interrumpida. 	<ul style="list-style-type: none"> ■ Pare el proceso de carga o descarga hasta que la temperatura sea normal. ■ Vuelva a introducir el acumulador en el cargador. ■ Vuelva a introducir el enchufe del cargador en la fuente de alimentación.

GARANTÍA

POLITICA DE GARANTÍA EGO

Por favor visite nuestra página web egopowerplus.com para los terminos y las condiciones completas de la politica de garantía EGO.

LEIA O MANUAL DO UTILIZADOR(BATERIA)



LEIA TODAS AS INSTRUÇÕES!

PT

⚠ Risco residual! As pessoas com dispositivos eletrónicos, como pacemakers, deverão consultar o seu médico antes de utilizarem este produto. A utilização de equipamento elétrico perto de um pacemaker pode causar interferências ou falhas no pacemaker.

⚠ AVISO: Para assegurar a segurança e bom funcionamento, todas as reparações e substituições deverão ser efetuadas por um técnico de reparação qualificado.

SÍMBOLOS DE SEGURANÇA

O intuito destes símbolos de segurança é chamar a sua atenção para possíveis perigos. Os símbolos de segurança e as respetivas explicações apresentadas requerem a sua atenção e compreensão. Os avisos de segurança, só por si, não eliminam o perigo. As instruções e avisos dados não são substitutos para medidas de prevenção adequadas a acidentes.

⚠ AVISO: Certifique-se de que lê e compreende todas as instruções de segurança neste manual do utilizador, incluindo todos os símbolos de alerta de segurança, como “PERIGO”, “AVISO”, e “CUIDADO” antes de utilizar esta ferramenta. O não cumprimento de todas as instruções apresentadas abaixo pode resultar em choque elétrico, incêndio e/ou lesões pessoais graves.

⚠ AVISO: Risco de fogo e queimaduras. Não desmonte, não aqueça acima dos 100 °C nem incinere. Mantenha a bateria de mochila fora do alcance das crianças e na caixa original até estar pronta a ser usada. Elimine imediatamente uma bateria usada, de acordo com as normas locais relativas aos resíduos e reciclagem.

INSTRUÇÕES DE SEGURANÇA

Esta página retrata e descreve os símbolos de segurança que podem aparecer neste produto. Leia, compreenda e siga todas as instruções na máquina antes de a tentar montar e utilizar.

	Alerta de segurança	Indica um potencial perigo de lesões pessoais.
	Leia o manual do utilizador	Para reduzir o risco de lesões, o utilizador tem de ler e compreender o manual do utilizador antes de utilizar este produto.
	Símbolos de reciclagem	Não elimine as baterias no lixo doméstico comum, água ou fogo. As baterias devem ser recolhidas, recicladas ou eliminadas de forma ecologicamente correta.
	CE	Este produto encontra-se em conformidade com as diretivas CE aplicáveis.
	REEE	Os produtos elétricos residuais não deverão ser eliminados juntamente com o lixo doméstico comum. Entregue-os num centro de reciclagem autorizado.
V	Volts	Voltagem
A	Amperes	Corrente
W	Watt	Potência
min	Minutos	Tempo
	Corrente direta	Tipo ou característica da corrente

⚠ AVISO: Leia e compreenda todas as instruções. Não seguir todas as instruções pode resultar em choque elétrico, incêndio e/ou lesões graves. O termo “ferramenta elétrica” em grande parte dos avisos listados refere-se às máquinas de jardinagem que funcionam a bateria (sem fios) da EGO Power+.

SEGURANÇA NA ÁREA DE TRABALHO

- **Mantenha a área de trabalho limpa e bem iluminada.** As áreas desarrumadas ou escuras convidam a acidentes.
- **Não ligue ferramentas eléctricas em ambientes explosivos, tal como na presença de líquidos inflamáveis, gases ou pó.** As ferramentas eléctricas criam faíscas que podem incendiar pó ou fumos.

SEGURANÇA ELÉTRICA

- Não exponha a ferramenta elétrica à chuva ou a condições húmidas. A entrada de água numa ferramenta elétrica aumentará o risco de choque elétrico.
- Use apenas com carregadores e ferramentas elétricas listadas nas “CARACTERÍSTICAS TÉCNICAS”.

UTILIZAÇÃO E CUIDADOS DA BATERIA

- Quando não utilizar a bateria, mantenha-a afastada de outros objetos metálicos, como cliques de papel, moedas, chaves, pregos, parafusos ou outros pequenos objetos de metal que possam fazer a ligação entre os dois terminais. Colocar os terminais da bateria em curto-circuito pode provocar queimaduras ou um incêndio.
- Sob condições abusivas, pode ser ejetado líquido da bateria. Evite o contacto. Se ocorrer contacto accidental, lave com água. Se o líquido entrar em contacto com os olhos, procure ajuda médica. O líquido ejetado da bateria pode provocar irritação ou queimaduras.
- Não desmonte, abra nem destrua a bateria recarregável.
- Não exponha a bateria ao calor ou fogo. Evite guardar à luz direta do sol.
- Não coloque uma célula ou bateria em curto-circuito. Não armazene células ou baterias numa caixa ou gaveta ao acaso onde possam entrar em curto-circuito umas com as outras ou entrar em curto-circuito com outros objetos metálicos.
- Não retire uma bateria da caixa até que seja necessária.
- Não exponha as células ou baterias a um choque mecânico.
- Mantenha a bateria fora do alcance das crianças. Consulte imediatamente um médico se uma bateria for engolida.
- Mantenha a bateria limpa e seca.
- Limpe os terminais da bateria com um pano limpo e seco, caso estes fiquem sujos.
- A bateria secundária tem de ser carregadas antes da utilização. Use sempre o carregador correto e consulte as instruções do fabricante ou o manual do equipamento quanto às devidas instruções de carregamento.
- Não mantenha a bateria no carregador quando não a usar.

- Após um longo período de armazenamento, pode ser necessário carregar e descarregar a bateria várias vezes para obter o desempenho máximo.
- Guarde a literatura do produto original para futura referência.
- Use apenas a bateria na aplicação para que foi criada.
- Sempre que possível, retire a bateria do equipamento quando não em uso.
- Proceda a uma eliminação correcta.

MANUTENÇÃO

- Siga as instruções da secção Manutenção deste manual. A utilização de peças não autorizadas ou o não cumprimento das instruções de Manutenção pode criar um risco de choque ou ferimentos.

REGRAS DE SEGURANÇA ESPECÍFICAS

- Conheça a sua ferramenta eléctrica. Leia cuidadosamente o manual do operador. Aprenda as suas aplicações e limitações, bem como os perigos potenciais especificamente relacionados com esta ferramenta. Seguir esta regra reduzirá o risco de choque eléctrico, incêndio ou lesões graves.
- As ferramentas que funcionam a bateria não têm de ser ligadas a uma tomada elétrica; assim, estão sempre em estado de funcionamento. Tenha cuidado com os possíveis perigos quando não utilizar a sua ferramenta a bateria. Retire sempre a bateria antes de mudar quaisquer acessórios. Se seguir esta regra reduzirá o risco de choque elétrico, incêndio ou lesões pessoais sérias.
- Não bata, não deixe cair nem danifique a bateria. Não use uma bateria nem um carregador que tenha caído no chão ou tenha sofrido uma pancada forte. Uma bateria danificada pode explodir. Elimine imediatamente e correctamente uma bateria que tenha caído ou esteja danificada.
- Não carregue a bateria em locais húmidos ou molhados. Se seguir esta regra reduzirá o risco de choque elétrico.
- Para melhores resultados, a sua bateria deverá ser carregada num local onde a temperatura seja superior a 0 °C e inferior a 40 °C. Não armazene no exterior, nem dentro de veículos.
- Não permita que gasolina, óleos, produtos à base de petróleo, etc., entrem em contacto com as peças de plástico. Estas substâncias contêm químicos que podem danificar, enfraquecer ou destruir os plásticos.

- **A sua bateria deverá ser reparada por pessoas qualificadas, utilizando apenas peças sobressalentes idênticas.** Tal irá assegurar que a segurança da bateria é mantida.
- **Guarde estas instruções.** Consulte com frequência e utilize estas instruções para instruir outras pessoas sobre a forma de utilizar este equipamento. Se emprestar a alguém esta ferramenta, entregue também estas instruções para evitar a má utilização do produto e possíveis lesões.

ESPECIFICAÇÕES

Voltagem nominal	56V
Capacidade máxima	1568Wh
Carregador correspondente	CHX5500E
Corrente de carregamento	Carregamento rápido: 8A Carregamento normal: 4A
Tempo de carregamento	Carregamento rápido: Cerca de 3,5 horas Carregamento normal: Cerca de 7 horas
Ferramentas elétricas correspondentes	LBX6000, HTX6500, BCX3800
Peso	8,7kg
Temperatura ambiente especificada para descarregar	-20°C~40°C

DESCRIÇÃO

CONHEÇA A SUA BATERIA (Imagem A)

1. Fio
2. Pega
3. Porta USB
4. Interruptor USB/DC
5. 12. Interface DC
6. Indicador de energia e interruptor
7. Mola de fixação da alça para os ombros
8. Mola de fixação da alça para a cintura
9. Cobertura do fusível
10. Alça para os ombros
11. Estrutura
12. Rede
13. Correia
14. Arnês (vendido separadamente)
15. Acessório acolchoado para a anca (vendido separadamente)

FUNCIONAMENTO

INDICADOR DE ENERGIA NA BATERIA (Imagem B)

Esta bateria de mochila de ião de lítio vem equipada com um indicador de energia, que indica a capacidade da carga e erro da bateria. Prima o indicador da energia para visualizar o nível de capacidade quando a bateria não estiver a ser carregada. O indicador LED brilha durante 10 segundos.

- No caso de carregamento, o indicador LED pode apresentar vários interfaces listados em baixo sem premir o interruptor.

Capacidade da bateria / Erro	CARREGAMENTO					Notas
	LEDs					
	1	2	3	4	5	
<20%	Pisca a verde	Desligado	Desligado	Desligado	Desligado	1 a piscar
20% ≤ Capacidade < 40%	Ligado	Pisca a verde	Desligado	Desligado	Desligado	1 ligado, 1 a piscar
40% ≤ Capacidade < 60%	Ligado	Ligado	Pisca a verde	Desligado	Desligado	2 ligados, 1 a piscar
60% ≤ Capacidade < 80%	Ligado	Ligado	Ligado	Pisca a verde	Desligado	3 ligados, 1 a piscar
80% ≤ Capacidade < 100%	Ligado	Ligado	Ligado	Ligado	Pisca a verde	4 ligados, 1 a piscar
Capacidade = 100% (completamente carregada)	Ligado	Ligado	Ligado	Ligado	Ligado	5 ligados durante vários minutos, depois desligam-se
A bateria não pode ser carregada	Desligado	Desligado	Desligado	Desligado	Desligado	5 LEDs todos desligados
Bateria com temperatura excessiva	Desligado	Desligado	Desligado	Desligado	Desligado	5 LEDs todos desligados

Se a bateria de mochila estiver a descarregar ou permanecer sem ser utilizada, **PRIMA O INTERRUPTOR**, o indicador LED apresenta um interface diferente do de carregamento, conforme apresentado em baixo.

Capacidade da bateria / Erro	A DESCARREGAR/SEM SER UTILIZADO					Notas
	LEDs					
	1	2	3	4	5	
80% < Capacidade ≤ 100%	Ligado	Ligado	Ligado	Ligado	Ligado	5 LEDs ligados durante 10 segundos após premir o botão
60% < Capacidade ≤ 80%	Ligado	Ligado	Ligado	Ligado	Desligado	4 LEDs ligados durante 10 segundos após premir o botão
40% < Capacidade ≤ 60%	Ligado	Ligado	Ligado	Desligado	Desligado	3 LEDs ligados durante 10 segundos após premir o botão
20% < Capacidade ≤ 40%	Ligado	Ligado	Desligado	Desligado	Desligado	2 LEDs ligados durante 10 segundos após premir o botão
10% < Capacidade ≤ 20%	Ligado	Desligado	Desligado	Desligado	Desligado	1 LED ligado durante 10 segundos após premir o botão
≤ 10%	Pisca a verde	Desligado	Desligado	Desligado	Desligado	1 LED a piscar durante 10 segundos após premir o botão
Voltagem insuficiente (< 2,7V)	Pisca a vermelho	Pisca a vermelho	Pisca a vermelho	Pisca a vermelho	Pisca a vermelho	5 luzes vermelhas a piscar durante 10 segundos após premir o botão
Bateria com temperatura excessiva	Vermelho brilhante	Vermelho brilhante	Vermelho brilhante	Vermelho brilhante	Vermelho brilhante	5 luzes vermelhas ligadas durante 10 segundos após premir o botão

PT

PROTEÇÃO DA BATERIA

O circuito da bateria protege a bateria de temperaturas extremas, descarga excessiva e sobrecarga. Para proteger a bateria de danos e aumentar o seu tempo de vida útil, os circuitos da bateria desligam a bateria se esta ficar sobrecarregada ou se a temperatura ficar demasiado elevada ou demasiado baixa durante a utilização. Isto pode acontecer em situações de binário extremamente elevado, se o aparelho ficar preso ou paralisado.

- No caso de carregamento, a bateria desliga-se se todos os 5 LEDs se desligarem quando a temperatura exceder os 60 °C ou descer abaixo dos 0 °C. Quando a temperatura voltar ao normal em 90 minutos, começa a funcionar automaticamente. Caso contrário, a bateria desliga-se. Volte a inserir a ficha no carregador para reativar o carregamento.

- A bateria também se desliga com os 5 LEDs desligados quando a voltagem de uma célula da bateria exceder a sua voltagem de proteção. Recomendamos que descarregue imediatamente a bateria. Se este problema se repetir várias vezes, contacte um centro de reparação da EGO.
- No caso de descarga, quando a temperatura da bateria exceder os 70°C ou descer abaixo dos -20°C, a bateria desliga-se com os 5 LEDs ligados a vermelho durante 10 segundos após ser premido o botão. A bateria volta a funcionar em ambas as condições quando a temperatura normal voltar, permitindo à ferramenta elétrica ser reiniciada.
- Quando a voltagem de uma célula da bateria for inferior a 2,7V, a bateria desliga-se, com 5 LEDs a piscar a vermelho durante 10 segundos após ser premido o botão. Recomendamos que pare o trabalho e carregue imediatamente a sua bateria. Se esta dica for repetida muitas vezes, contacte o seu técnico reparador para obter assistência.

AVISO: Nunca aqueça uma bateria.

CARREGAR A BATERIA

A bateria é enviada parcialmente carregada. Antes de a usar pela primeira vez, tem de carregar a bateria.

AVISO: Não utilize a bateria no exterior nem a exponha à humidade. A entrada da água no carregador ou na bateria aumentará o risco de choque elétrico. Para mais detalhes, consulte o Manual de Instruções do Carregador EGO CHX5500E.

1. Ligue o carregador à alimentação (220-240V~50Hz).
2. Insira a ficha da bateria no carregador.
3. Se a bateria estiver no modo de carregamento normal, o LED1 verde no carregador começa a piscar. Após premir o botão verde durante, pelo menos, 1 segundo, o carregamento normal (corrente de carregamento de 4A) passa para carregamento rápido (corrente de carregamento de 8A) e o LED2 verde no carregador pisca, sendo o LED1 desligado.
4. 5 LEDs da bateria ligados a verde significa que a bateria está completamente carregada. Aguarde até a ventoinha de arrefecimento do carregador parar, retire a bateria do carregador e desligue o carregador da alimentação.

AVISO:

- A bateria fica completamente carregada se for deixada no carregador, mas não fica sobrecarregada.
- Siga as instruções no manual de instruções do carregador EGO CHX5500E para obter mais detalhes.
- Um tempo de funcionamento significativamente reduzido após um carregamento completo da bateria indica que a bateria está próxima do fim da sua vida útil e deve ser substituída.
- Se não inserir completamente a ficha no respetivo lugar, o LED do carregador pisca continuamente.
- O carregador pode aquecer durante o carregamento. Isto faz parte do funcionamento normal do carregador. Carregue numa área bem ventilada.

USB/12V DC

Retire as coberturas de borracha e insira as fichas USB/DC nas portas USB/DC (Imagem C e D). De seguida, prima o interruptor USB/DC. A bateria alimentará os dispositivos ligados à bateria através das portas USB ou DC.

C-1	Coberturas de borracha	D-2	Porta DC de 12V
D-1	Porta USB	D-3	Interruptor USB/DC

AVISO:

- As funções da alimentação USB e DC de 12V podem funcionar em simultâneo com a fonte de alimentação de 56V. Após usar a alimentação USB/DC de 12V, retire as fichas USB/DC e coloque as coberturas de borracha no respetivo lugar.
- Não deverá usar a alimentação USB/DC de 12V enquanto a bateria estiver a carregar.

LIGAR E DESLIGAR O ARNÊS À BATERIA

Ligar

Alinhe as quatro partes salientes na estrutura com as ranhuras de fixação e ligue a nervura na alça para a cintura com a mola de fixação da alça para a cintura. De seguida, faça deslizar o arnês para cima até ouvir um clique. (Imagem E).

E-1	Ranhura de fixação	E-3	Nervura de localização da alça
E-2	Nervura de localização da estrutura		

Desligar

Prima os dois botões de libertação no arnês por detrás da estrutura e faça deslizar o arnês para fora (Imagem F).

COLOCAR A BATERIA

Num funcionamento normal, a bateria com o arnês é usada às costas. Para evitar fadiga e para trabalhar confortavelmente, o arnês vem equipado com uma junta para a alça para a cintura e juntas para a alça para os ombros, o que garante a liberdade de movimentos.

O comprimento da alça para a cintura e das alças para os ombros pode ser ajustado livremente. A almofada traseira deverá assentar firmemente e de forma segura nas costas.

- Ajuste o comprimento da alça para a cintura e das alças para os ombros para ficar confortável antes de trabalhar normalmente. O comprimento deverá ser adequado para o tamanho do seu corpo através das juntas da alça para a cintura e das alças para os ombros.
- Insira as duas partes da fivela da alça para a cintura e da fivela do peito uma na outra, até ouvir um clique (Imagem G e H).
- Ajuste a altura da fivela do peito para ficar confortável (Imagem I).
- Volte a ajustar o comprimento da alça para a cintura e da alça para o peito.
- Insira qualquer comprimento extra da alça à volta da cintura e alça do peito no elástico (Imagem J).

PARA FIXAR E RETIRAR A BATERIA

Carregue antes da primeira utilização

Oriente o fio da bateria pela parte lateral do corpo e ligue as ferramentas elétricas no fio de ligação de 1,5m. Siga as instruções no manual das ferramentas elétricas para obter mais detalhes.

Instalar (Imagem K)

Com o logótipo ▲ alinhado respetivamente na ficha e nas ferramentas elétricas, insira a ficha nas ferramentas elétricas até que o vedante verde desapareça por completo na entrada.

Retirar

Puxe a ficha para fora das ferramentas elétricas.

▲ AVISO: Quando ocorrer uma emergência, retire imediatamente a bateria dos seus ombros. Libertar a alça e a fivela para o peito, depois retirando o arnês em cada lado é um método de libertação rápida.

▲ AVISO: Não aperte excessivamente as alças para os ombros, pois poderá ser difícil retirar a bateria.

▲ AVISO: Apenas alguns produtos da EGO podem ser usados com a bateria. Estes encontram-se listados nas “CARACTERÍSTICAS TÉCNICAS”. Recomendamos que não use a bateria com outras ferramentas elétricas.

MANUTENÇÃO

▲ AVISO: A bateria tem de ser reparada ou substituída num centro de reparação qualificado da EGO e respetivos técnicos.

▲ AVISO: Para evitar lesões pessoais sérias, retire sempre a bateria da ferramenta quando mudar de acessórios, limpar ou efetuar qualquer manutenção.

▲ AVISO: Quando fizer reparações, utilize apenas peças sobressalentes idênticas da EGO. A utilização de outras peças pode criar um perigo ou provocar danos no produto.

▲ AVISO: Se a limpeza com ar comprimido for o único método que pode utilizar, use sempre óculos de segurança com proteções laterais. Se a operação fizer muito pó, use também uma máscara para o pó.

MANUTENÇÃO GERAL

Evite utilizar solventes quando limpa peças plásticas. Grande parte dos plásticos pode ficar danificada devido a vários tipos de solventes comerciais e pode danificar-se com o uso. Utilize panos de limpeza limpos para retirar sujidades, pó, óleo, gordura, etc.

▲ AVISO: Nunca permita que o líquido dos travões, gasolina, produtos à base de petróleo, óleos penetrantes, etc., entrem em contacto com as peças de plástico. Os químicos podem danificar, enfraquecer ou destruir o plástico, o que pode dar origem a lesões pessoais sérias.

BATERIAS

Não desmonte a bateria nem tente substituir as células. Manusear as baterias, especialmente quando usar anéis e jóias pode dar origem a queimaduras sérias. Para obter o tempo máximo de vida da bateria, leia e compreenda o manual de utilização.

▲ AVISO: É boa prática desligar o carregador e retirar a bateria quando não a utilizar.

REMOÇÃO DA BATERIA E PREPARAÇÃO PARA RECICLAGEM



Li-ion

Não elimine o carregador da bateria e baterias/baterias recarregáveis juntamente com o lixo doméstico comum! De acordo com a norma europeia 2012/19/UE, o equipamento elétrico e eletrónico que deixe de ser usado, e de acordo com a norma europeia 2006/66/CE, as baterias gastas ou defeituosas têm de ser recolhidas em separado e eliminadas de um modo amigo do ambiente.

Consulte as autoridades locais quanto ao modo como reciclar e eliminar.

▲ AVISO: Ao retirar a bateria para ser eliminada ou reciclada, cubra os terminais da bateria com uma fita adesiva resistente. Não tente destruir ou desmontar a bateria, nem retirar algum dos seus componentes. As baterias de ião de lítio têm de ser recicladas ou eliminadas de forma adequada. Além disso, nunca toque em qualquer dos terminais com objetos de metal ou com o corpo, pois isso pode causar um curto-circuito. Mantenha-se afastado das crianças. Se não seguir estes avisos de segurança, pode originar um incêndio e/ou lesões sérias.

RESOLUÇÃO DE PROBLEMAS

PT

PROBLEMA	CAUSA	SOLUÇÃO
As ferramentas elétricas não funcionam.	<ul style="list-style-type: none">■ Não existe contacto elétrico entre a ferramenta elétrica e a bateria.■ A bateria está gasta.■ A bateria ou a ferramenta elétrica estão muito quentes.■ O fio ou a ficha não funcionam.■ A voltagem de uma célula da bateria está abaixo dos 2,7V.	<ul style="list-style-type: none">■ Fixe a bateria à ferramenta elétrica.■ Carregue a bateria.■ Arrefeça a bateria ou a ferramenta elétrica até que a temperatura desça até valores normais.■ Contacte um centro de reparação da EGO.■ Carregue imediatamente a bateria.
A bateria não pode ser carregada.	<ul style="list-style-type: none">■ A temperatura da bateria excede ou desceu abaixo do valor especificado.■ Não existe contacto elétrico entre a bateria e o carregador.■ A ligação entre o carregador e a fonte de alimentação está errada.	<ul style="list-style-type: none">■ Pare de carregar ou de descarregar até que a temperatura volte ao normal.■ Volte a inserir a bateria no carregador.■ Volte a inserir a ficha do carregador na fonte de alimentação.

GARANTIA

POLÍTICA DE GARANTIA EGO

Por favor, visite o website egopowerplus.com para saber todos os termos e condições da política de garantia EGO.

LEGGERE IL MANUALE DI ISTRUZIONI(BATTERIA)



LEGGERE TUTTE LE ISTRUZIONI!

⚠️ Rischi residui! Le persone portatrici di dispositivi elettronici, ad esempio pacemaker, devono consultare il proprio medico prima di usare questo prodotto. L'utilizzo di apparecchi elettrici in prossimità di pacemaker cardiaci comporta il rischio di interferenze o malfunzionamento del pacemaker.

⚠️ AVVERTENZA! Per garantire sicurezza e affidabilità, tutte le riparazioni e sostituzioni devono essere eseguite da un tecnico qualificato.

SIMBOLI DI SICUREZZA

Lo scopo dei simboli di sicurezza è attirare l'attenzione dell'operatore su possibili pericoli. I simboli di sicurezza e le relative spiegazioni richiedono la massima attenzione e comprensione da parte dell'operatore. Le avvertenze espresse dai simboli, da sole, non eliminano tutti i rischi. Le istruzioni e le avvertenze non sostituiscono le adeguate misure di prevenzione contro gli incidenti.

⚠️ AVVERTENZA! Accertarsi di aver letto e compreso tutte le istruzioni di sicurezza in questo manuale, inclusi tutti i simboli di avvertenza come "PERICOLO", "AVVERTENZA" e "ATTENZIONE", prima di usare questo apparecchio. Il mancato rispetto di tutte le istruzioni riportate di seguito comporta il rischio di scossa elettrica, incendio e/o lesioni gravi.

⚠️ AVVERTENZA! Rischio di incendio e ustioni. Non disassemblare, scaldare a temperature superiori a 100 °C o bruciare. Conservare il gruppo batteria fuori dalla portata dei bambini e nella confezione originale finché non è pronto all'uso. Smaltire immediatamente i gruppi batteria usati conformemente alle normative locali relative a riciclaggio e smaltimento.

ISTRUZIONI DI SICUREZZA

Questa pagina illustra e descrive i simboli di sicurezza che possono comparire sul prodotto. Leggere, comprendere e seguire tutte le istruzioni sull'apparecchio prima di tentare di assemblarlo e ripararlo.

	Avvertenza di sicurezza	Indica un potenziale rischio di infortunio.
	Leggere il manuale di istruzioni	Per ridurre il rischio di infortunio, l'utente deve leggere e comprendere tutte le istruzioni prima di usare questo prodotto.
	Simbolo di smaltimento	Non smaltire i gruppi batteria o le batterie insieme ai rifiuti domestici, nel fuoco o nell'acqua. I gruppi batteria o le batterie devono essere raccolte, riciclate o smaltite nel rispetto dell'ambiente.
	CE	Questo prodotto è conforme alle direttive europee applicabili.
	RAEE	I prodotti elettrici non devono essere smaltiti insieme ai rifiuti domestici. Portarli presso un centro di riciclaggio autorizzato.
V	Volt	Voltaggio
A	Ampere	Corrente
W	Watt	Potenza
min	Minuti	Tempo
	Corrente continua	Tipo o caratteristica della corrente

IT

⚠ AVVERTENZA! Leggere e comprendere tutte le istruzioni. Il mancato rispetto di tutte le istruzioni comporta il rischio di scossa elettrica, incendio e/o lesioni gravi. Il termine “utensile elettrico” nella maggior parte delle avvertenze riportate di seguito fa riferimento agli apparecchi da giardino alimentati a batteria (senza cavo) EGO Power+.

SICUREZZA DELL'AREA DI LAVORO

IT

- **Mantenere l'area di lavoro pulita e ben illuminata.** Aree ingombre e ombreggiate favoriscono gli incidenti.
- **Non usare gli utensili elettrici in atmosfere esplosive, ad esempio in presenza di liquidi, gas o polveri infiammabili. Gli utensili elettrici producono scintille suscettibili di dare fuoco a polveri o vapori.**

SICUREZZA ELETTRICA

- **Non esporre gli utensili elettrici a pioggia o condizioni di umidità.** La penetrazione di acqua all'interno di un utensile elettrico aumenta il rischio di scossa elettrica.
- **Usare esclusivamente con i caricabatteria e gli utensili elettrici elencati alla sezione “SPECIFICHE”.**

USO E MANUTENZIONE DEL GRUPPO BATTERIA

- **Quando il gruppo batteria non è in uso, tenerlo lontano da piccoli oggetti metallici, ad esempio graffette, monete, chiavi, chiodi, viti ecc. poiché potrebbero creare un collegamento tra i due terminali.** L'eventuale cortocircuito dei terminali della batteria comporta il rischio di incendio o di ustioni.
- **L'utilizzo improprio dell'utensile elettrico può causare fuoriuscite di liquido dalla batteria: evitare il contatto con tale liquido. In caso di contatto accidentale, lavare con acqua. Se il liquido entra in contatto con gli occhi, consultare un medico.** Il liquido fuoriuscito dalla batteria può causare irritazioni o ustioni.
- **Non disassemblare, aprire o tagliare la batteria ricaricabile.**
- **Non esporre la batteria a fiamme o calore.** Conservare il gruppo batteria al riparo dalla luce solare diretta.
- **Non mettere in corto circuito una cella o una batteria.** Non conservare celle e batterie in una scatola o un cassetto dove possono andare in corto circuito tra loro o con oggetti metallici.
- **Non rimuovere una batteria dalla confezione originale finché non è pronta all'uso.**
- **Non esporre le celle o le batterie a urti meccanici**

- **Conservare la batteria fuori dalla portata dei bambini. In caso di ingestione di una batteria, consultare immediatamente a un medico.**
- **Mantenere la batteria pulita e asciutta.**
- **Se i terminali della batteria sono sporchi, pulirli con un panno asciutto.**
- **La batteria secondaria deve essere ricaricata prima dell'uso.** Usare sempre il caricabatteria corretto e fare riferimento alle istruzioni del costruttore o al manuale dell'apparecchio relativamente alle istruzioni per una ricarica corretta.
- **Non lasciare la batteria sotto carica per lunghi periodi quando non è in uso.**
- **Dopo un lungo periodo di inutilizzo, può essere necessario ricaricare e scaricare le batterie più volte prima di ottenere prestazioni ottimali.**
- **Conservare le istruzioni del prodotto per future consultazioni.**
- **Usare la batteria esclusivamente per gli scopi previsti.**
- **Se possibile, rimuovere la batteria dall'apparecchio quando non è in uso.**
- **Smaltire la batteria adeguatamente.**

RIPARAZIONI

- **Seguire le istruzioni riportate alla sezione “Manutenzione” di questo manuale.** L'uso di parti non autorizzate o il mancato rispetto delle istruzioni di manutenzione comportano il rischio di scossa elettrica o infortunio.

NORME DI SICUREZZA SPECIFICHE

- **Familiarizzare con l'utensile elettrico. Leggere il manuale di istruzioni. Studiare le applicazioni e le limitazioni dell'utensile elettrico e i relativi rischi specifici.** Il rispetto di questa istruzione riduce il rischio di scossa elettrica, incendio o infortunio.
- **Gli apparecchi a batteria non hanno bisogno di essere collegati a un impianto elettrico; pertanto sono sempre in condizioni operative.** Essere consci dei possibili rischi quando l'apparecchio alimentato a batteria non è in uso. Rimuovere sempre la batteria prima di sostituire gli accessori. Il rispetto di questa istruzione riduce il rischio di scossa elettrica, incendio o infortunio.
- **Non schiacciare, far cadere o danneggiare il gruppo batteria. Non usare gruppi batteria o caricabatteria che hanno subito cadute o urti violenti.** Le batterie danneggiate sono suscettibili di esplodere. Smaltire immediatamente una batteria danneggiata o che ha subito cadute.

- **Non ricaricare il gruppo batteria sotto la pioggia o in luoghi umidi.** Il rispetto di questa istruzione riduce il rischio di scossa elettrica.
- **Per i migliori risultati, ricaricare la batteria in locali in cui la temperatura è superiore a 0°C e inferiore a 40°C.** Non conservarla all'aperto o all'interno di veicoli.
- **Impedire il contatto di benzina, oli, prodotti a base di petrolio, ecc. con le parti in plastica.** Tali materiali contengono sostanze chimiche suscettibili di danneggiare, indebolire o distruggere la plastica.
- **Affidare la riparazione del gruppo batteria a tecnici qualificati usando esclusivamente parti di ricambio identiche.** Ciò salvaguarderà la sicurezza del gruppo batteria.
- **Conservare queste istruzioni.** Consultarle frequentemente e usarle per istruire gli altri utenti dell'apparecchio. Se si presta l'apparecchio ad altre persone, allegare anche queste istruzioni per evitare l'uso errato dell'apparecchio e il rischio di infortunio.

SPECIFICHE TECNICHE

Tensione nominale	56V
Capacità max.	1568Wh
Caricabatteria compatibile	CHX5500E
Corrente di ricarica	Ricarica rapida: 8A Ricarica normale: 4A
Tempo di ricarica	Ricarica rapida: circa 3,5h Ricarica normale: circa 7h
Utensili elettrici compatibili	LBX6000, HTX6500, BCX3800
Peso	8,7kg
Intervallo di temperature ambiente per lo scaricamento	-20°C - 40°C

DESCRIZIONE

DESCRIZIONE DEL GRUPPO BATTERIA (Fig. A)

1. Cavo
2. Impugnatura
3. Presa USB
4. Interruttore USB/CC
5. Presa 12V CC
6. Pulsante con indicatore di carica
7. Molla di fissaggio per spallacci
8. Molla di fissaggio per cintura
9. Coperchio del fusibile di servizio
10. Spallacci
11. Telaio
12. Rete
13. Cintura
14. Imbracatura (venduta separatamente)
15. Cuscinetto per fianco (venduto separatamente)

IT

FUNZIONAMENTO

INDICATORE DI CARICA SUL GRUPPO BATTERIA (Fig. B)

Questa batteria a zaino agli ioni di litio è dotata di un indicatore di carica, che indica il livello di carica del gruppo batteria ed eventuali errori. Premere il pulsante dell'indicatore carica per visualizzare il livello di carica quando la batteria non è sotto carica. L'indicatore rimarrà acceso per 10 secondi.

- Quando la batteria è sotto carica, l'indicatore segnala gli stati elencati di seguito senza premere il pulsante.

IN CARICA						
Livello di carica / Errore	Spie					Note
	1	2	3	4	5	
< 20%	Verde lampeggiante	Spenta	Spenta	Spenta	Spenta	1 lampeggia
20% ≤ carica < 40%	Accesa	Verde lampeggiante	Spenta	Spenta	Spenta	1 accesa, 1 lampeggia
40% ≤ carica < 60%	Accesa	Accesa	Verde lampeggiante	Spenta	Spenta	2 accese, 1 lampeggia
60% ≤ carica < 80%	Accesa	Accesa	Accesa	Verde lampeggiante	Spenta	3 accese, 1 lampeggia
80% ≤ carica < 100%	Accesa	Accesa	Accesa	Accesa	Verde lampeggiante	4 accese, 1 lampeggia
Carica = 100% (completamente carica)	Accesa	Accesa	Accesa	Accesa	Accesa	5 accese per diversi minuti, quindi spente
La batteria non può essere ricaricata	Spenta	Spenta	Spenta	Spenta	Spenta	5 spente
Batteria surriscaldata	Spenta	Spenta	Spenta	Spenta	Spenta	5 spente

Quando la batteria è in scarica o non è in uso e viene premuto il **PULSANTE DELL'INDICATORE DI CARICA**, l'indicatore segnala gli stati elencati di seguito.

SCARICA/INUTILIZZO						
Livello di carica / Errore	Spie					Note
	1	2	3	4	5	
80% ≤ carica < 100%	Accesa	Accesa	Accesa	Accesa	Accesa	5 spie accese per 10 secondi dopo aver premuto il pulsante
60% ≤ carica < 80%	Accesa	Accesa	Accesa	Accesa	Spenta	4 spie accese per 10 secondi dopo aver premuto il pulsante
40% ≤ carica < 60%	Accesa	Accesa	Accesa	Spenta	Spenta	3 spie accese per 10 secondi dopo aver premuto il pulsante
20% ≤ carica < 40%	Accesa	Accesa	Spenta	Spenta	Spenta	2 spie accese per 10 secondi dopo aver premuto il pulsante
10% ≤ carica < 20%	Accesa	Spenta	Spenta	Spenta	Spenta	1 spia accesa per 10 secondi dopo aver premuto il pulsante
≤ 10%	Verde lampeggiante	Spenta	Spenta	Spenta	Spenta	1 spia lampeggia per 10 secondi dopo aver premuto il pulsante
Tensione insufficiente (< 2,7V)	Rossa lampeggiante	Rossa lampeggiante	Rossa lampeggiante	Rossa lampeggiante	Rossa lampeggiante	5 spie rosse lampeggiano per 10 secondi dopo aver premuto il pulsante
Batteria surriscaldata	Rossa fissa	Rossa fissa	Rossa fissa	Rossa fissa	Rossa fissa	5 spie rosse accese per 10 secondi dopo aver premuto il pulsante

PROTEZIONE DELLA BATTERIA

Il circuito della batteria protegge il gruppo batteria contro le temperature estreme ed evita che si carichi o si scarichi eccessivamente. Per proteggere la batteria da eventuali danni e prolungare la sua durata di vita, la circuiteria interna spegnerà il gruppo batteria in caso di sovraccarico o se la temperatura è eccessivamente alta o bassa durante l'uso. Ciò può verificarsi in situazioni di coppia estremamente elevata, inceppamento e stallo.

- Quando è sotto carica, il gruppo batteria si spegnerà insieme a tutte le 5 spie quando la sua temperatura è superiore a 60°C o inferiore a 0°C. Quando la temperatura ritorna a un livello normale entro 90 minuti, la batteria riprenderà automaticamente a funzionare. In caso contrario, reinserire la spia nel caricabatteria per riattivare la ricarica.
- Il gruppo batteria si spegnerà insieme a tutte le 5 spie anche quando la tensione di una cella della batteria supera la tensione di protezione. Si raccomanda di scaricare immediatamente il gruppo batteria. Se questo problema si verifica più volte, contattare il centro di assistenza EGO.
- Se durante lo scaricamento la temperatura del gruppo batteria è superiore a 70°C o inferiore a -20°C, il gruppo batteria si spegnerà e le 5 spie lampeggeranno di rosso per 10 secondi dopo aver premuto il pulsante dell'indicatore di carica. Quando la temperatura ritorna a un livello normale, la batteria riprenderà automaticamente a funzionare.
- Se la tensione di una cella della batteria è inferiore a 2,7 V, il gruppo batteria si spegnerà e 5 spie lampeggeranno di rosso per 10 secondi dopo aver premuto il pulsante dell'indicatore di carica. Si raccomanda di interrompere il lavoro e di ricaricare immediatamente il gruppo batteria. Se questo problema si verifica più volte, contattare un tecnico per ricevere assistenza.

⚠ AVVERTENZA! Non riscaldare il gruppo batteria per alcun motivo.

RICARICARE IL GRUPPO BATTERIA

Il gruppo batteria è consegnato parzialmente in carica. Prima di usarlo per la prima volta, ricaricare completamente la batteria.

⚠ AVVERTENZA! Non ricaricare il gruppo batteria in ambienti esterni e non esporlo a condizioni bagnate o umide. L'infiltrazione di acqua all'interno del caricabatteria o del gruppo batteria aumenta il rischio di scossa elettrica. Per ulteriori dettagli, consultare il manuale utente del caricabatteria EGO CHX5500E.

1. Collegare il caricabatteria alla rete elettrica (220-240V~50Hz).
2. Collegare la spina della batteria al caricabatteria.
3. Quando il gruppo batteria è sotto carica in modalità normale, la spia verde 1 sul caricabatteria lampeggia. Tenendo premuto il pulsante verde per almeno 1 secondo, la ricarica normale (con corrente da 4A) si trasformerà in ricarica rapida (con corrente da 8A); la spia verde 2 sul caricabatteria lampeggerà, mentre la spia 1 rimarrà spenta.
4. Quando le 5 spie del gruppo batteria rimangono accese di verde, il gruppo batteria è completamente carico. Attendere che la ventola di raffreddamento del caricabatteria si arresti, rimuovere il gruppo batteria dal caricabatteria e scollegare il caricabatteria dalla presa di corrente.

IT

AVVERTENZE

- Il gruppo batteria si ricaricherà completamente se viene lasciato sul caricabatteria, ma non subirà sovraccarichi.
- Consultare il manuale del caricabatteria EGO CHX5500E per maggiori dettagli.
- Una riduzione significativa dell'autonomia del gruppo batteria dopo averlo caricato completamente indica che le batterie sono quasi al termine della loro vita utile e devono essere sostituite.
- Se la spina non è stata inserita completamente, la spia del caricabatteria lampeggerà costantemente.
- Il caricabatteria può diventare caldo durante la ricarica. Ciò è parte del normale funzionamento del caricabatteria. Effettuare la ricarica in un'area ben ventilata.

PRESA USB/12V CC

Rimuovere le coperture in gomma e inserire le spine USB/CC nelle prese USB/CC (Fig. C e D). Premere l'interruttore USB/CC; il gruppo batteria alimenterà il dispositivo collegato attraverso la presa USB o CC.

C-1	Coperture in gomma	D-2	Presa 12V CC
D-1	Presa USB	D-3	Interruttore USB/CC

AVVERTENZE

- L'alimentazione tramite USB e 12V CC può funzionare simultaneamente all'alimentazione da 56 V. Dopo aver usato le prese USB/12V CC, scollegare le spine USB/CC e riposizionare le coperture in gomma.
- Non usare le prese USB/12V CC mentre il gruppo batteria è sotto carica.

COLLEGARE E SCOLLEGARE L'IMBRACATURA AL/DAL GRUPPO BATTERIA

Collegamento

Allineare le quattro sporgenze sul telaio con le scanalature di fissaggio e collegare la sporgenza di fissaggio sulla cintura con la molla di fissaggio della cintura. Quindi fare scorrere l'imbracatura verso l'alto fino al clic. (Fig. E).

E-1	Scanalatura di fissaggio	E-3	Fessura di posizionamento della cintura
E-2	Fessura di posizionamento del telaio		

IT

Scollegamento

Premere i due pulsanti di rilascio sull'imbracatura, dietro il telaio, e fare scorrere l'imbracatura (Fig. F).

INDOSSARE IL GRUPPO BATTERIA

Durante l'uso normale, il gruppo batteria con l'imbracatura si indossa sulla schiena. Per evitare l'affaticamento e lavorare in modo confortevole, l'imbracatura è dotata di una chiusura in vita e a livello del torace, per garantire la massima libertà di movimento.

La lunghezza della cintura e degli spillacci può essere regolata liberamente. Il cuscino posteriore deve appoggiarsi saldamente contro la propria schiena.

- Regolare la lunghezza della cintura e degli spillacci in modo che sia confortevole prima di iniziare il lavoro; la lunghezza deve essere adattata attraverso le rispettive fibbie.
- Inserire le due parti della fibbia della cintura e della fibbia della cinghia toracica una dietro l'altra fino al clic (Fig. G e H).
- Regolare l'altezza della cinghia toracica affinché sia confortevole (Fig. I).
- Regolare nuovamente la lunghezza della cintura e della cinghia toracica.
- Inserire l'eventuale lunghezza in eccesso della cintura intorno alla vita e la cinghia toracica nell'elastico (Fig. J).

INSTALLARE E RIMUOVERE IL GRUPPO BATTERIA

Ricaricare prima del primo utilizzo

Guidare il cavo del gruppo batteria intorno al lato del corpo e collegare l'utensile elettrico al cavo di collegamento da 1,5 m. Consultare il manuale dell'utensile elettrico per ulteriori dettagli.

Installazione (Fig. K)

Con il logo ▲ allineato rispettivamente sulla spina e sull'utensile elettrico, inserire la spina nell'utensile elettrico finché il sigillo verde non scompare completamente nella presa.

Rimozione

Estrarre la spina dall'utensile elettrico.

▲ AVVERTENZA! In caso di emergenza, sfilare immediatamente il gruppo batteria dalla spalla. Un rapido metodo di rilascio è slacciare la fibbia della cintura e della cinghia toracica e sfilare l'imbracatura da entrambe le spalle.

▲ AVVERTENZA! Non serrare eccessivamente gli spillacci per evitare di rendere difficile la rimozione del gruppo batteria.

▲ AVVERTENZA! Solo alcuni prodotti EGO sono compatibili con il gruppo batteria; tali prodotti sono elencati alla sezione "SPECIFICHE". Si raccomanda di non usare questo gruppo batteria con altri utensili elettrici.

MANUTENZIONE

▲ AVVERTENZA! Il gruppo batteria deve essere riparato o sostituito da tecnici e centri di assistenza EGO qualificati.

▲ AVVERTENZA! Per evitare lesioni gravi, rimuovere sempre il gruppo batteria dal caricabatteria durante la sostituzione degli accessori e prima delle operazioni di pulizia o manutenzione.

▲ AVVERTENZA! Per la riparazione, usare esclusivamente parti di ricambio EGO identiche. L'uso di altri ricambi comporta situazioni pericolose o il rischio di danni all'apparecchio.

▲ AVVERTENZA! Se la pulizia tramite aria compressa è l'unico metodo disponibile, indossare sempre maschere di sicurezza o occhiali di sicurezza con protezioni laterali. Se l'ambiente è polveroso, indossare anche una maschera antipolvere.

MANUTENZIONE GENERALE

Evitare l'uso di solventi durante la pulizia delle parti in plastica. La maggior parte dei materiali plastici può essere danneggiata da diversi tipi di solventi in commercio. Usare un panno pulito per rimuovere sporcizia, polvere, olio, grasso, ecc.

⚠ AVVERTENZA! Impedire il contatto di liquido per freni, benzina, prodotti a base di petrolio, oli penetranti, ecc. con le parti in plastica. Le sostanze chimiche possono danneggiare, indebolire o distruggere la plastica, comportando il rischio di lesioni gravi.

BATTERIE

Non disassemblare il gruppo batteria e non tentare di sostituire le celle. La manipolazione delle batterie, in particolare quando si indossano anelli e altri gioielli, comporta il rischio di ustioni gravi. Per garantire la massima durata di vita della batteria, leggere e comprendere il manuale di istruzioni.

⚠ AVVERTENZA! È buona norma scollegare il caricabatteria dalla presa di corrente e rimuovere il gruppo batteria agli ioni di litio quando non è in uso.

RIMOZIONE DEL GRUPPO BATTERIA E PREPARAZIONE ALLO SMALTIMENTO



Li-ion

Non smaltire il caricabatteria e le batterie/batterie ricaricabili insieme ai rifiuti indifferenziati! Conformemente alle direttive europee 2012/19/EU e 2006/66/CE, i rifiuti di apparecchiature elettriche ed elettroniche, pile e accumulatori devono essere raccolti separatamente e smaltiti nel rispetto dell'ambiente.

Contattare le autorità competente per informazioni relative alle opzioni per il riciclo e/o lo smaltimento.

⚠ AVVERTENZA! Dopo la rimozione del gruppo batteria a scopo di smaltimento o riciclo, coprire i terminali del gruppo batteria con del robusto nastro isolante. Non tentare di distruggere o disassemblare il gruppo batteria o di rimuoverne i componenti. Le batterie agli ioni di litio devono essere riciclate o smaltite adeguatamente. Inoltre, non toccare mai i terminali con oggetti metallici e/o parti del corpo per evitare il rischio di cortocircuito. Tenere fuori dalla portata dei bambini. Il mancato rispetto di queste avvertenze comporta il rischio di incendio e/o gravi infortuni.

IT

RISOLUZIONE DEI PROBLEMI

PROBLEMA	CAUSA	SOLUZIONE
L'utensile elettrico non funziona.	<ul style="list-style-type: none">▪ Nessun contatto elettrico tra l'utensile elettrico e la batteria.▪ Il gruppo batteria è scarico.▪ Il gruppo batteria o l'utensile elettrico sono troppo caldi.▪ Il cavo o la spina non sono funzionanti.▪ La tensione di una cella della batteria è inferiore a 2,7 V.	<ul style="list-style-type: none">▪ Collegare il gruppo batteria all'utensile elettrico.▪ Ricaricare il gruppo batteria.▪ Attendere che la temperatura del gruppo batteria o dell'utensile elettrico scenda fino ai valori normali.▪ Contattare il centro di assistenza EGO.▪ Ricaricare immediatamente il gruppo batteria.
Il gruppo batteria non può essere ricaricato.	<ul style="list-style-type: none">▪ La temperatura della batteria è superiore o inferiore ai valori specificati.▪ Nessun contatto elettrico tra batteria e il caricabatteria.▪ Collegamento tra il caricabatteria e l'alimentazione non funzionante.	<ul style="list-style-type: none">▪ Interrompere la carica o la scarica finché la temperatura non ritorna normale.▪ Reinserrire il gruppo batteria nel caricabatteria.▪ Collegare la spina del caricabatteria alla presa di corrente.

IT

GARANZIA

CONDIZIONI DELLA GARANZIA EGO

Visitare il sito web egopowerplus.com per consultare le condizioni complete della garanzia EGO.

LEES DE GEBRUIKERSHANDLEIDING ZORGVULDIG DOOR(BATTERIJ)



LEES ALLE INSTRUCTIES!

⚠ Restrisico! Personen met elektronische apparaten, zoals pacemakers, moeten eerst hun art(sen) raadplegen voordat ze dit product mogen gebruiken. De werking van een elektrisch apparaat in de nabijheid van een pacemaker kan een storing of defect aan de pacemaker veroorzaken.

⚠ WAARSCHUWING: Om een continue veiligheid en betrouwbaarheid te waarborgen, dienen alle reparaties en vervangingen van onderdelen uitgevoerd te worden door een vakbekwame reparateur.

VEILIGHEIDSSYMBOLEN

Het doel van de veiligheidssymbolen is om u te wijzen op mogelijke gevaren. Besteed daarom voldoende aandacht hieraan en begrijp de veiligheidssymbolen en bijbehorende uitleg. De symboolwaarschuwingen op zich elimineren geen enkel gevaar. De gegeven instructies en waarschuwingen gelden niet als vervanging voor gepaste voorzorgsmaatregelen tegen ongevallen.

⚠ WAARSCHUWING: Lees en begrijp alle veiligheidsinstructies die in deze gebruikershandleiding zijn vermeld, waaronder alle veiligheidssymbolen zoals "GEVAAR", "WAARSCHUWING", en "OPGELET" voordat u dit apparaat in gebruik neemt. Het negeren van onderstaande instructies kan leiden tot elektrische schokken, brand en/of ernstig persoonlijk letsel.

⚠ WAARSCHUWING: Risico op brand en brandwonden. Niet demonteren, boven 100 °C verwarmen of verbranden. Houd het accupack uit de buurt van kinderen en bewaar hem in de originele verpakking tot u hem wilt gebruiken. Gooi gebruikte accupacks weg volgens de lokale recyclingvoorschriften of afvalrichtlijnen.

VEILIGHEIDSVORSCHRIFTEN

Deze pagina toont en beschrijft alle veiligheidssymbolen die zich op dit product kunnen bevinden. Lees, begrijp en volg alle instructies op de machine voordat u deze in elkaar zet en gebruikt.

	Veiligheids- waarschuwing	Geeft een risico op persoonlijk letsel aan.
	Lees de gebruikers-handleiding zorgvuldig door	De gebruiker dient de gebruikershandleiding vóór het gebruik van dit product te lezen en te begrijpen om elk risico op letsel te beperken.
	Recycling- symbolen Li-ion	Gooi accupacks/ batterijen nooit met het huisafval, in vuur of water weg. Verzamel, recycle of gooi accupacks/ batterijen op een milieuvriendelijke manier weg.
	CE	Dit product is in overeenstemming met de EG-richtlijnen.
	WEEE	Gooi elektrisch afval niet via het huishoudelijk afval weg. Breng het naar een geautoriseerd recyclingbedrijf.
V	Volt	Spanning
A	Ampère	Stroom
W	Watt	Vermogen
min	Minuten	Tijd
	Gelijkstroom	Stroomtype of -karakteristiek

⚠ WAARSCHUWING: Lees en begrijp alle instructies. Het negeren van alle instructies kan leiden tot elektrische schokken, brand en/of ernstig persoonlijk letsel. De term "elektrisch gereedschap" in alle vermelde waarschuwingen verwijst naar de EGO Power+ op accu's werkende (snoerloze) gazon & tuin gereedschappen.

NL

VEILIGHEID OP DE WERKPLAATS

- **Houd de werkplaats schoon en goed verlicht.**
Rommelige of donkere ruimten kunnen ongevallen veroorzaken.
- **Gebruik geen elektrisch gereedschap in explosieve ruimten, bijvoorbeeld in de aanwezigheid van ontvlambare vloeistoffen, gassen of stof.** Elektrisch gereedschap genereert vonken en deze kunnen stof of dampen ontsteken.

ELEKTRISCHE VEILIGHEID

- **Stel elektrisch gereedschap niet bloot aan regen of vochtige omstandigheden.** Water dat elektrisch gereedschap binnendringt, vergroot het risico op elektrische schokken.
- **Alleen gebruiken met laders en elektrische gereedschappen die staan vermeld in de "SPECIFICATIES".**

GEBRUIK EN ONDERHOUD VAN ACCUPACKS

- **Wanneer u het accupack niet gebruikt, dient u het uit de buurt van andere metalen voorwerpen zoals paperclips, muntstukken, sleutels, nagels, schroeven of andere kleine metalen voorwerpen te houden, die de twee aansluitklemmen kunnen verbinden.** Het kortsluiten van de aansluitklemmen kan brandwonden of brand veroorzaken.
- **Bij verkeerd gebruik kan er vloeistof uit de accu worden gespoten; vermijd elk contact. Als aanraking met de vloeistof toevallig plaatsvindt, dient u het met water af te spoelen. Als de vloeistof in de ogen komt dient u onmiddellijk een arts te consulteren.** Vloeistof dat uit de accu wordt gespoten kan irritaties of brandwonden veroorzaken.
- **Demonteer, open of vernietig de accu niet.**
- **Stel de accu niet bloot aan warmte of vuur.** Voorkom opslag in direct zonlicht.
- **Zorg dat de cel of accu niet wordt kortgesloten.** Berg de cellen of batterijen niet in een doos of lade op waar ze elkaar kunnen kortsluiten of door andere metalen voorwerpen kortgesloten kunnen worden.
- **Haal een accu pas uit zijn originele verpakking wanneer u hem wilt gebruiken.**
- **Stel de cellen of batterijen niet bloot aan mechanische schokken**
- **Houd de accu buiten het bereik van kinderen.** Raadpleeg onmiddellijk een arts als u denkt dat een accu werd ingeslikt.
- **Houd accu's schoon en droog.**

- **Veeg de aansluitklemmen van de accu schoon met een schone, droge doek als deze vuil zijn.**
- **Laad secundaire accu's op voor gebruik.** Gebruik altijd de juiste lader en raadpleeg de instructies van de fabrikant of de gebruiksaanwijzing van het gereedschap voor de juiste laadinstructies.
- **Laad een batterij niet langdurig op wanneer deze niet wordt gebruikt.**
- **Na een langdurige opslagperiode kan het nodig zijn om de accu's meerdere keren na elkaar op te laden en te ontladen om de beste prestaties te krijgen.**
- **Bewaar de originele gebruiksaanwijzing voor latere raadpleging.**
- **Gebruik de accu alleen voor het beoogde gebruik.**
- **Wanneer mogelijk, dient u de batterij uit het gereedschap te halen wanneer u het niet gebruikt.**
- **Gooi op een correcte manier weg.**

REPARATIES

- **Volg de instructies in het hoofdstuk "Onderhoud" in deze handleiding.** Het gebruik van ongeoorloofde onderdelen of het negeren van de onderhoudsinstructies kan risico op schokken of letsel veroorzaken.

SPECIFIEKE VEILIGHEIDSRICHTLIJNEN

- **Ken uw elektrisch gereedschap. Lees de gebruiksaanwijzing zorgvuldig door. Leer zowel de toepassingen en beperkingen als ook de specifieke mogelijke gevaren omtrent dit gereedschap.** Dit beperkt het risico op elektrische schokken, brand of ernstig letsel.
- **Accugereedschap moet niet op een stopcontact worden aangesloten en kan aldus altijd onmiddellijk gebruikt worden.** Let op voor mogelijke gevaren wanneer u uw accugereedschap niet gebruikt. Verwijder altijd de batterij voordat u accessoires vervangt. Dit beperkt het risico op elektrische schokken, brand of ernstig persoonlijk letsel.
- **Het accupack niet in elkaar drukken, laten vallen of beschadigen. Gebruik geen accupack of lader nadat deze is gevallen of een harde klap heeft gehad.** Een beschadigde accu kan exploderen. Gooi een gevallen of beschadigde accu onmiddellijk en op de juiste manier weg.
- **Laad de batterij niet op in een vochtige of natte omgeving.** Dit beperkt het risico op elektrische schokken.

- **Voor het beste resultaat dient de batterij in een ruimte te worden geladen waar de temperatuur hoger is dan 0° C en lager dan 40° C.** Bewaar hem niet buiten of in voertuigen.
- **Laat geen op benzine, olie of petroleum gebaseerde producten, enz. in aanraking komen met de plastic onderdelen.** Deze stoffen bevatten chemicaliën die het kunststof kunnen beschadigen, verzwakken of vernietigen.
- **Laat uw accupack repareren door een bekwame reparateur en alleen met identieke vervangende onderdelen.** Dit waarborgt het behoud van de veiligheid van het accupack.
- **Bewaar deze gebruikershandleiding.** Raadpleeg de gebruikershandleiding indien nodig en gebruik deze om andere personen die dit apparaat zullen gebruiken te onderrichten. Al u dit gereedschap aan iemand anders geeft, doe dan tevens deze gebruiksaanwijzing erbij om verkeerd gebruik en mogelijk letsel te voorkomen.

SPECIFICATIES

Nominale spanning	56V
Max. capaciteit	1568Wh
Passende lader	CHX5500E
Laadstroom	Snel laden: 8A Normaal laden: 4A
Laadduur	Snel laden: Ongeveer 3,5h Normaal laden: Ongeveer 7h
Passend elektrisch gereedschap	LBX6000, HTX6500, BCX3800
Gewicht	8,7kg
Gespecificeerde omgevingstemperatuurbereik voor het ontladen	-20°C~40°C

BESCHRIJVING

KEN UW LADER (afb. A)

1. Kabel
2. Handgreep
3. USB poort
4. USB-/DC-schakelaar
5. DC-interface
6. Stroomindicator en schakelaar
7. Schouderriem fixeerveer
8. Riemand fixeerveer
9. Zekering onderhoudsafdekking
10. Schouderriem
11. Frame
12. Net
13. Riem
14. Harnas (wordt apart verkocht)
15. Heupkussen accessoire (wordt apart verkocht)

NL

GEBRUIK

STROOMINDICATOR OP HET ACCUPACK (afb. B)

Dit lithium-ion accurugzak is voorzien van een indicatielampje om het laadniveau en storingen van het accupack aan te geven. Druk op de stroomindicator om het laadniveau aan te geven als de batterij niet wordt geladen. Het led-indicatielampje brandt gedurende 10 seconden.

- Tijdens het laden kan het led-indicatielampje verschillende interface die beneden worden genoemd weergeven, als u op de schakelaar drukt.

LADEN						
Laadniveau/fout	Led's					Opmerkingen
	1	2	3	4	5	
<20%	Groen knipperend	Uit	Uit	Uit	Uit	1 knipperend
20% ≤ capaciteit < 40%	Aan	Groen knipperend	Uit	Uit	Uit	1 aan, 1 knipperend
40% ≤ capaciteit < 60%	Aan	Aan	Groen knipperend	Uit	Uit	2 aan, 1 knipperend
60% ≤ capaciteit < 80%	Aan	Aan	Aan	Groen knipperend	Uit	3 aan, 1 knipperend
80% ≤ capaciteit < 100%	Aan	Aan	Aan	Aan	Groen knipperend	4 aan, 1 knipperend
Capaciteit = 100% (volledig geladen)	Aan	Aan	Aan	Aan	Aan	5 aan gedurende enkele minuten, vervolgens uitgeschakeld
Accu kan niet worden geladen	Uit	Uit	Uit	Uit	Uit	5 led's zullen allemaal worden uitgeschakeld
Te hoge temperatuur van de accu	Uit	Uit	Uit	Uit	Uit	5 led's zullen allemaal worden uitgeschakeld

Als de accurugzak ontladend of niet wordt gebruikt, **DRUKT U OP DE SCHAKELAAR**, waarna het led-indicatielampje een andere interface zoals beneden weergegeven toont, in tegenstelling tot de laad-interface.

ONTLADEN/NIET IN GEBRUIK						
Laadniveau/fout	Led's					Opmerkingen
	1	2	3	4	5	
80% < capaciteit ≤ 100%	Aan	Aan	Aan	Aan	Aan	5 led's aan gedurende 10 seconden na het drukken van de knop
60% < capaciteit ≤ 80%	Aan	Aan	Aan	Aan	Uit	4 led's aan gedurende 10 seconden na het drukken van de knop
40% < capaciteit ≤ 60%	Aan	Aan	Aan	Uit	Uit	3 led's aan gedurende 10 seconden na het drukken van de knop
20% < capaciteit ≤ 40%	Aan	Aan	Uit	Uit	Uit	2 led's aan gedurende 10 seconden na het drukken van de knop
10% < capaciteit ≤ 20%	Aan	Uit	Uit	Uit	Uit	1 led aan gedurende 10 seconden na het drukken van de knop
≤10%	Groen knipperend	Uit	Uit	Uit	Uit	1 led knippert gedurende 10 seconden na het drukken van de knop
Underspanning (<2,7V)	Rood knipperend	Rood knipperend	Rood knipperend	Rood knipperend	Rood knipperend	5 rode led's knipperen gedurende 10 seconden na het drukken van de knop
Te hoge temperatuur van de accu	Rood brandend	Rood brandend	Rood brandend	Rood brandend	Rood brandend	5 rode led's aan gedurende 10 seconden na het drukken van de knop

BATTERIJBEVEILIGING

Het schakelsysteem van de accu beschermt het accupack tegen extreme temperaturen, diepte-ontlading en overlading. Om de batterij tegen schade te beschermen en een langdurige levensduur te waarborgen schakelt het schakelsysteem het accupack uit in geval van een overlading of wanneer de temperatuur tijdens gebruik te hoog of te laag wordt. Dit kan zich voordoen bij een zeer hoge koppel, vastzitten of blijven steken van het gereedschap.

- Tijdens het laden gaat het accupack uit en alle 5 led's gaat uit als de temperatuur 60°C over- of 0°C onderschrijdt. Zodra de temperatuur binnen 90 minuten weer in het normale bereik ligt, gaat het accupack weer terug naar de normale modus. Anders gaat de accu uit. Steek de stekker opnieuw op de lader en herstart het laadproces.
- Het accupack gaat eveneens uit en alle 5 led's worden uitgeschakeld als de spanning van een accu de veiligheidsspanning wordt overschreden. Het wordt aangeraden het accupack direct te ontladen. Als dit probleem vaker de kop opsteekt, dient u contact op te nemen met een EGO-servicecentrum.
- In het geval van ontlading gaat het accupack uit als het een temperatuur van meer dan 70°C of minder dan -20°C bereikt en de 5 led's branden 10 seconden lang rood nadat de knop wordt gedrukt. Het accupack begint weer met werken als de normale temperatuur weer wordt bereikt en laat het elektrisch gereedschap weer starten.
- Als de spanning van een accu minder dan 2,7V bedraagt, gaat het accupack uit en knippen 5 led's gedurende 10 seconden nadat de knop wordt gedrukt. Wij raden u aan, de werkzaamheden te onderbreken en uw accupack direct op te laden. Als dit probleem vaker de kop opsteekt, neem dan contact op met uw servicetechnicus voor hulp.

⚠ WAARSCHUWING: U mag het accupack in geen geval verwarmen.

LAAD HET ACCUPACK OP

Het accupack wordt reeds gedeeltelijk geladen geleverd. Voor de eerste ingebruikname dient de accu te worden geladen.

⚠ WAARSCHUWING: Laad het accupack niet buitenshuis op en stel het niet bloot aan natte of vochtige omstandigheden. Water dat de lader of het accupack binnendringt, vergroot het risico op elektrische schokken. Voor verdere details kunt u de gebruiksaanwijzing van de EGO CHX5500E lader raadplegen.

1. Sluit de lader aan op de netvoeding (220-240V~50Hz).
2. Steek de stekker van het accupack in de lader.
3. Als het accupack normaal wordt geladen, knippert de groene LED1 op de lader. Nadat de groene knop minstens 1 seconde werd gedrukt, verandert het normale laden (laadstroom 4A) in het snel laden (laadstroom 8A) en knippert de groene LED2 op de lader en gaat LED1 uit.
4. Als 5 led's van het accupack voortdurend groen branden, betekent dit dat het accupack volledig is geladen. Wacht totdat de ventilator van de lader tot stilstand is gekomen voordat u het accupack uit de lader verwijdert en de stekker uit het stopcontact haalt.

OPMERKING:

- Het accupack zal volledig worden geladen wanneer het met de lader verbonden blijft, maar zal niet overladen worden.
- Volg de instructies in de gebruiksaanwijzing voor de EGO CHX5500E lader voor meer details.
- Een aanzienlijk kortere looptijd nadat het accupack volledig is geladen geeft aan dat het accupack het einde van zijn levensduur heeft bereikt en vervangen moet worden.
- Als u de stekker niet compleet heeft aangesloten, knippert de led van de lader voortdurend.
- De lader kan tijdens het laden warm worden. Dit is normaal tijdens het gebruik van de lader. Laad in een goed geventileerde ruimte.

USB/12V DC

Verwijder de rubberen afdekkingen en steek de USB/DC stekker in de USB/DC poort (afb. C & D). Druk vervolgens op de USB/DC-schakelaar, waarna het accupack de via USB of DC-poort aangesloten apparaten van stroom zal voorzien.

C-1	Rubberen afdekkingen	D-2	12V DC poort
D-1	USB poort	D-3	USB/DC-schakelaar

OPMERKING:

- De functies van USB en 12V DC stroom kunnen gelijktijdig met de 56V stroombron werken. Na gebruik van de USB/12V DC dient u de USB/DC stekkers eruit te trekken en de rubberen afdekkingen weer terug te plaatsen.
- Gebruik de USB/DC 12V DC niet als het accupack wordt opgeladen.

AANSLUITEN EN VERWIJDEREN VAN HET HARNAS OP HET ACCUPACK

Aansluiten

Breng de vier uitstekende onderdelen van het frame in één lijn met de bevestigingsgroeven en sluit de locatieribbel van de riem aan op de fixatieveer van de riem. Schuif het harnas vervolgens omhoog totdat u een klik hoort. (afb. E).

E-1	Bevestigingsgroef	E-3	Riem locatiesleuf
E-2	Frame locatiesleuf		

Verwijderen

Druk de twee ontgrendelingsknoppen van het harnas aan de achterkant van het frame en schuif het harnas eruit (afb. F).

HET ACCUPACK AANTREKKEN

Tijdens het normale gebruik wordt het accupack met harnas op de rug gedragen. Om vermoeidheid te voorkomen en prettig te werken, is het harnas voorzien van een heupgordel en een schouderriem-frame, waardoor u vrij kunt bewegen.

De lengte van de heupgordel en de schouderriemen kunnen naar believen worden aangepast. Het rugkussen dient stevig en goed op uw rug te zitten.

- Pas de lengte van de riem en schouderriem voor het werken aan, de lengte dient met behulp van het heupriem- en schouderriem-frame aan uw lichaam te worden aangepast.
- Steek de beide delen van de riemgesp en borstgesp in elkaar totdat u een klik hoort (afb. G & H).
- Pas de hoogte van de borstgesp aan zodat hij prettig zit (afb. I).
- Pas de lengte van de heupriem en borstriem opnieuw aan.
- Mocht er nog een stuk riem over zijn rond de middel en de borst, steekt u dit in het elastische gedeelte (afb. J).

HET ACCUPACK INSTALLEREN EN VERWIJDEREN

Voor de eerste ingebruikname opladen

Leid de kabel van het accupack langs de zijkant van het lichaam en sluit de elektrische gereedschappen aan op de 1,5 m aansluitkabel. Volg de instructies in de gebruiksaanwijzing van het elektrisch gereedschap voor meer details.

Installeren (afb. K)

Met het uitglanzende ▲ logo respectievelijk op de stekker en het elektrisch gereedschap, steekt u de stekker in het elektrisch gereedschap totdat de groene verzegeling compleet is verdwenen in de aansluiting.

Verwijderen

Trek de stekker uit het elektrische gereedschap.

▲ WAARSCHUWING: Als er sprake is van een noodgeval, dient u het accupack direct van uw schouder te nemen. Maak de riem en gesp los, verwijder vervolgens de schouderriemen aan elke kant met behulp van de snelontgrendelingsmethode.

▲ WAARSCHUWING: Stel de schouderriemen niet te strak in aangezien u hierdoor problemen kunt krijgen om het accupack te verwijderen.

▲ WAARSCHUWING: Alleen bepaalde EGO producten kunnen met het accupack worden gebruikt. Deze worden genoemd in de "SPECIFICATIES". Wij raden u aan, het accupack niet in combinatie met andere elektrische gereedschappen te gebruiken.

ONDERHOUD

▲ WAARSCHUWING: Het accupack moet in een gekwalificeerd EGO-servicecentrum en monteur worden gerepareerd of vervangen.

▲ WAARSCHUWING: Om ernstig persoonlijk letsel te voorkomen, haal de accu altijd uit het gereedschap voor het wijzigen van accessoires, reiniging of onderhoud.

▲ WAARSCHUWING: Bij reparatie mag u uitsluitend identieke EGO vervangende onderdelen gebruiken. Het gebruik van andere onderdelen kan gevaar opleveren of schade aan het product veroorzaken.

▲ WAARSCHUWING: Als het schoonmaken met perslucht echter de enige mogelijke manier is, dient u altijd een veiligheidsbril met zijdelingse schermen te gebruiken. Als deze handeling stof met zich meebrengt, dient u tevens een stofmasker te dragen.

ALGEMEEN ONDERHOUD

Maak de kunststof onderdelen niet schoon met oplosmiddelen. De meeste kunststoffen kunnen worden beschadigd wanneer ze in contact komen met commerciële oplosmiddelen. Gebruik een schone doek voor het verwijderen van vuil, stof, olie, smeer, etc.

⚠ WAARSCHUWING: Zorg dat remvloeistoffen, benzine, producten op basis van aardolie, oliën, etc. op geen enkel moment in aanraking komen met de kunststof onderdelen. Chemicaliën kunnen de kunststof onderdelen beschadigen, verzwakken of vernietigen en ernstig persoonlijk letsel veroorzaken.

BATTERIJEN

Demonteer het accupack niet en probeer de batterijen niet te vervangen. Het dragen van ringen en juwelen tijdens het hanteren met accu's kan ernstige brandwonden veroorzaken. Voor de langst mogelijke levensduur van de batterij dient u de gebruiksaanwijzing te lezen en te begrijpen.

⚠ WAARSCHUWING: Het is aanbevolen om de lader te ontkoppelen en het accupack te verwijderen wanneer u het niet gebruikt.

DE ACCU VERWIJDEREN EN VOOR RECYCLING VOORBEREIDEN



Li-ion

Gooi geen acculaders en accu's/oplaadbare batterijen met het huishoudelijk afval weg! Elektrische en elektronische apparaten, in overeenstemming met de Europese wet 2012/19/EG, en defecte of verbruikte accupacks/batterijen, in overeenstemming met 2006/66/EG, moeten afzonderlijk worden ingezameld en op een milieuvriendelijke manier afgedankt worden.

Raadpleeg uw lokale overheid voor informatie over de mogelijkheid tot recycling en/of verwijdering.

⚠ WAARSCHUWING: Na verwijdering van het accupack voor afvoer of recycling, dient u de aansluitklemmen van het accupack af te dekken met hoogwaardig plakband. Probeer niet om het accupack te vernietigen of demonteren, of om componenten te verwijderen. Recycle of verwijder lithium-ion batterijen op een correcte manier. Raak de polen nooit met metalen voorwerpen en/of lichaamsdelen aan aangezien dit tot kortsluiting kan leiden. Buiten het bereik van kinderen houden. Het negeren van deze waarschuwingen kan leiden tot brand en/of ernstig letsel.

NL

PROBLEEMOPLOSSING

NL

PROBLEEM	OORZAAK	OPLOSSING
Het elektrisch gereedschap werkt niet	<ul style="list-style-type: none">■ Er is geen elektrisch contact tussen het elektrisch gereedschap en de accu.■ Het accupack is uitgeput.■ Het accupack of het elektrisch gereedschap is te heet.■ De kabel of stekker werkt niet.■ De spanning van het accupack is lager dan 2,7V.	<ul style="list-style-type: none">■ Sluit het accupack aan op het elektrisch gereedschap.■ Laad het accupack op.■ Koel het accupack of het elektrisch gereedschap af totdat de temperatuur weer binnen het normale bereik ligt.■ Neem contact op met een EGO-servicecenter.■ Laad het accupack direct op.
Het accupack kan niet worden geladen	<ul style="list-style-type: none">■ De temperatuur van de accu bevindt zich boven of beneden een bepaalde waarde.■ Er is geen elektrisch contact tussen accu en lader.■ De verbinding tussen lader en stroombron is verkeerd.	<ul style="list-style-type: none">■ Stop met laden of ontladen totdat de temperatuur weer normaal is.■ Steek het accupack weer in de lader.■ Plaats de stekker van de lader opnieuw in de stroombron.

GARANTIE

EGO GARANTIEVOORWAARDEN

Bezoek onze website egopowerplus.com voor alle voorwaarden van de EGO garantie.

LÆS ALLE ANVISNINGER!(BATTERI)



LÆS ALLE ANVISNINGER!

⚠ Særlig risiko! Folk med elektroniske anordninger, såsom pacemakere, bør spørge deres læge til råds, før de bruger dette produkt. Betjening af elektrisk udstyr i umiddelbar nærhed af en pacemaker kan forårsage forstyrrelser eller svigt af pacemakere.

⚠ ADVARSEL: For at sikre sikkerhed og pålidelighed bør alle reparationer og udskiftninger udføres af en kvalificeret servicetekniker.

SIKKERHEDSSYMBOLER

Formålet med sikkerhedssymboler er at gøre dig opmærksom på mulige farer. Du bør være meget opmærksom på sikkerhedssymboler og forklaringer til dem og lære at forstå dem. Symboladvarsler fjerner ikke i sig selv eventuelle farer. Anvisningerne og advarslerne er ingen erstatning for korrekte forebyggelsesforanstaltninger mod ulykker.

⚠ ADVARSEL: Sørg for at læse og forstå alle sikkerhedsanvisninger i denne brugsanvisning, inklusive alle sikkerhedssymboler, såsom "FARE", "ADVARSEL" og "FORSIGTIGHED", før du bruger dette værktøj. Hvis man ikke følger nedenstående anvisninger, kan det medføre elektrisk stød, brand og/eller alvorlig personskade.

⚠ ADVARSEL: Risiko for brand og forbrændinger. Må ikke adskilles, opvarmes til over 100 °C eller brændes. Opbevar batteripakken utilgængeligt for børn og i originalemballagen, indtil den er klar til brug. Bortskaf straks en opbrugt batteripakke i overensstemmelse med lokale genbrugs- eller affaldsforskrifter.

SIKKERHEDSANVISNINGER

Denne side viser og beskriver sikkerhedssymboler, der kan forekomme på dette produkt. Læs, forstå og følg alle anvisninger på maskinen, før du forsøger at samle og betjene den.

	Sikkerhedsvarsel	Angiver en potentiel fare for personskade.
	Læs brugsanvisningen	For at reducere risikoen for skader, skal brugeren læse og forstå brugsanvisningen før dette produkt anvendes.
	Genbrugssymboler	Batteripakker / batterier må ikke komme i affaldsstanden, i vand eller brændes. Batteripakker / batterier bør indsamles, genvindes eller bortskaffes på miljøvenlig måde.
	CE	Dette produkt er i overensstemmelse med gældende EU-direktiver.
	WEEE	Affald fra elektriske produkter bør ikke bortskaffes sammen med husholdningsaffald. Bring det til en godkendt genbrugsplads.
V	Volt	Spænding
A	Ampere	Strøm
W	Watt	Effekt
min	Minutter	Tid
	Jævnstrøm	Type af eller egenskab for strøm

DK

⚠ ADVARSEL: Læs og forstå alle anvisninger. Hvis du ikke følger alle anvisninger, kan det medføre elektrisk stød, brand og/eller alvorlig personskade. Udtrykket "elværktøj" i de fleste af de anførte advarsler henviser til batteridrevne (uden ledninger) EGO Power+ plæne- og havemaskiner.

SIKKERHED PÅ ARBEJDSOMRÅDET

- Hold arbejdsområdet rent og godt oplyst. Rodede eller uoplyste arbejdsområder inviterer til ulykker.
- Brug ikke elværktøj i eksplosive miljøer, såsom i nærheden af brændbare væsker, gasser eller støv. Elværktøj skaber gnister, som kan antænde støv eller dampe.

DK

ELEKTRISK SIKKERHED

- Udsæt ikke elværktøj for regn eller våde forhold. Vand i et elværktøj øger risikoen for elektrisk stød.
- Må kun bruges sammen med opladere og elværktøj opført i "SPECIFIKATIONER".

BATTERIPAKKENS BRUG OG PLEJE

- Når batteripakken ikke er i brug, skal den holdes væk fra andre metalgenstande som papirclips, mønter, nøgler, søm, skruer eller andre små metalgenstande, der kan skabe forbindelse fra en pol til en anden. Kortslutning af batteripolerne kan forårsage forbrændinger eller brand.
- Ved forkert anvendelse kan der slippe væske fra batteriet; undgå kontakt. Kommer man i kontakt med væsken: Skyl med vand. Hvis væsken kommer i øjnene, skal man også søge læge. Væskesprøjt fra batteriet kan forårsage irritation eller forbrændinger.
- Undlad at demontere, åbne eller sønderdele det genopladelige batteri.
- Udsæt ikke batteriet for varme eller ild. Undgå opbevaring i direkte sollys.
- Kortslut ikke en celle eller et batteri. Opbevar ikke celler eller batterier tilfældigt i en kasse eller skuffe, hvor de kan kortslutte hinanden eller kortsluttes af andre metalgenstande.
- Fjern ikke et batteri fra dets originale emballage, før det skal bruges.
- Udsæt ikke celler eller batterier for mekaniske stød.
- Hold batteriet utilgængeligt for børn. Søg omgående læge, hvis et batteri er blevet slugt.
- Hold batteriet rent og tørt.
- Tør batteriets terminaler af med en ren tør klud, hvis de bliver snavsede.

- Det genopladelige batteri skal oplades før brug. Brug altid den rigtige oplader, og ret dig efter producentens anvisninger eller udstyrets instruktionsbog for korrekt opladning.
- Lad ikke et batteri lade langvarigt, når det ikke er i brug
- Efter længere tids opbevaring kan det være nødvendigt at lade og aflade batterierne flere gange for at opnå maksimal ydelse.
- Behold de originale produktoplysninger til fremtidig reference.
- Brug kun batteriet til den anvendelse, det er beregnet til.
- Fjern om muligt batteriet fra udstyret, når det ikke er i brug.
- Bortskaf på korrekt vis.

SERVICE

- Følg anvisningerne i afsnittet i denne manual om **Vedligeholdelse**. Anvendelse af uautoriserede dele eller manglende overholdelse af vedligeholdelsesanvisningen kan give risiko for stød eller personskade.

SÆRLIGE SIKKERHEDSREGLER

- Kend dit elværktøj. Læs brugsanvisningen omhyggeligt igennem. Lær anvendelsesmuligheder og begrænsninger samt de specifikke potentielle risici ved værktøjet. Hvis denne regel følges, vil det mindske risikoen for elektrisk stød, brand eller alvorlig personskade.
- Batteridrevne værktøjer behøver ikke at være tilsluttet en stikkontakt, derfor er de altid driftsklar. Vær opmærksom på mulige farer, når dit batteridrevne værktøj ikke bruges. Fjern altid batteriet, før du skifter tilbehør. Hvis denne regel følges, vil det mindske risikoen for elektrisk stød, brand eller alvorlig personskade.
- Batteripakken må ikke mases, tabes eller beskadiges. Anvend ikke et batteri eller en oplader, der er blevet tabt eller har fået et kraftigt slag. Et beskadiget batteri kan eksplodere. Et tabt eller beskadiget batteri skal straks bortskaffes korrekt.
- Oplad ikke batteriet på et fugtigt eller vådt sted. Hvis denne regel følges, vil det mindske risikoen for elektrisk stød.
- De bedste resultater opnås ved at oplade på et sted, hvor temperaturen er over 0 °C og under 40 °C. Undgå opbevaring uden for eller i køretøjer.

- **Lad ikke benzin, olier, oliebaseerede produkter osv. komme i kontakt med plastdele.** Disse stoffer indeholder kemikalier, der kan beskadige, svække eller ødelægge plast.
- **Få din batteripakke serviceret af en kvalificeret tekniker og brug kun originale reservedele.** Dette vil sikre, at batteripakken fortsat er sikker.
- **Gem disse anvisninger.** Brug dem ofte, og brug dem til at instruere andre, der skal bruge dette værktøj. Hvis du låner nogen dette værktøj, så lad dem få anvisningerne med, så de også undgår fejlbrug af produktet og mulig personskaade.

SPECIFIKATIONER

Nominal spænding	56V
Maks. kapacitet	1568watt-timer
Tilpasset oplader	CHX5500E
Ladestrøm	Hurtigopladning: 8A Normal opladning: 4A
Opladningstid	Hurtigopladning: ca. 3,5time Normal opladning: Ca. 7timer
Tilpasset elværktøj	LBX6000, HTX6500, BCX3800
Vægt	8,7kg
Angivet område for omgivelsestemperatur gældende for afladning	-20°C~40°C

BESKRIVELSE

KEND DIN BATTERIPAKKE (fig. A)

1. Kabel
2. Håndtag
3. USB-port
4. USB-/jævnstrømsomskifter
5. Port til 12V jævnstrøm
6. Strømindikator og tænd/sluk-kontakt
7. Holdefjeder til skulderrem
8. Holdefjeder til bæltestroop
9. Låg til sikringsdåse
10. Skulderrem
11. Ramme
12. Net
13. Bælte
14. Seletøj (sælges separat)
15. Hoftepude, tilbehør (sælges separat)

DK

BETJENING

STRØMINDIKATOR PÅ BATTERIPAKKE (fig. B)

Dette lithium-ion rygsækbatteri er udstyret med en indikator, der viser opladningskapacitet og fejl i batteripakken. Tryk på strømindikatoren for at få vist opladningskapacitet, når batteriet er ikke under opladning. LED-indikatoren vil lyse i 10 sekunder.

- Under opladning kan LED-indikatoren vise forskellige grænseflader, der er anført nedenfor, uden at der trykkes på tænd/sluk-knappen.

OPLADNING						
Batterikapacitet/-fejl	LED'er					Bemærkninger
	1	2	3	4	5	
< 20 %	Blinker grønt	Slukket	Slukket	Slukket	Slukket	1 blinker
20 % ≤ kapacitet < 40 %	Tændt	Blinker grønt	Slukket	Slukket	Slukket	1 tændt, 1 blinker
40 % ≤ kapacitet < 60 %	Tændt	Tændt	Blinker grønt	Slukket	Slukket	2 tændt, 1 blinker
60 % ≤ kapacitet < 80 %	Tændt	Tændt	Tændt	Blinker grønt	Slukket	3 tændt, 1 blinker
80 % ≤ kapacitet < 100 %	Tændt	Tændt	Tændt	Tændt	Blinker grønt	4 tændt, 1 blinker
Kapacitet = 100 % (fuldt opladet)	Tændt	Tændt	Tændt	Tændt	Tændt	5 tændt i flere minutter og slukker så
Batteriet kan ikke oplades	Slukket	Slukket	Slukket	Slukket	Slukket	5 LED-lamper vil alle være slukkede
Overtemperatur batteri	Slukket	Slukket	Slukket	Slukket	Slukket	5 LED-lamper vil alle være slukkede

Hvis rygsækbatteriet aflades eller forbliver ubrugt, **TRYKES PÅ TÆND/SLUK-KNAPPEN**, LED-indikatoren vil vise en anden grænseflade end den, der viser opladning.

AFLADNING/UBRUGT						
Batterikapacitet/-fej	LED'er					Bemærkninger
	1	2	3	4	5	
80 % < kapacitet ≤ 100 %	Tændt	Tændt	Tændt	Tændt	Tændt	5 LED'er tændt i 10 sekunder efter tryk på knap
60 % < kapacitet ≤ 80 %	Tændt	Tændt	Tændt	Tændt	Slukket	4 LED'er tændt i 10 sekunder efter tryk på knap
40 % < kapacitet ≤ 60 %	Tændt	Tændt	Tændt	Slukket	Slukket	3 LED'er tændt i 10 sekunder efter tryk på knap
20 % < kapacitet ≤ 40 %	Tændt	Tændt	Slukket	Slukket	Slukket	2 LED'er tændt i 10 sekunder efter tryk på knap
10 % < kapacitet ≤ 20 %	Tændt	Slukket	Slukket	Slukket	Slukket	1 LED tændt i 10 sekunder efter tryk på knap
≤ 10 %	Blinker grønt	Slukket	Slukket	Slukket	Slukket	1 LED blinker i 10 sekunder efter tryk på knap
Underspænding (< 2,7 V)	Blinker rødt	Blinker rødt	Blinker rødt	Blinker rødt	Blinker rødt	5 røde LED'er blinker i 10 sekunder efter tryk på knap
Overtemperatur batteri	Lyser rødt	Lyser rødt	Lyser rødt	Lyser rødt	Lyser rødt	5 LED'er tændt i 10 sekunder efter tryk på knap

BATTERIBESKYTTELSE

Batterikredsløbet beskytter batteripakken mod ekstrem temperatur, overafledning og overopladning. For at beskytte batteriet mod skader og forlænge dets levetid slukker batteripakkens kredsløb batteriet, hvis det bliver overbelastet, eller hvis temperaturen bliver for høj eller for lav under brug. Dette kan forekomme ved ekstremt højt drejningsmoment eller situationer, hvor værktøjet binder eller får motorstop.

- Under opladning vil batteripakken lukke ned med alle 5 LED'er slukket, når temperaturen i den kommer over 60 °C eller under 0 °C. Når temperaturen vender tilbage til normal efter 90 minutter, vil batteriet automatisk fungere igen. Ellers kan man, hvis batteriet lukker ned, genaktivere opladning ved at sætte stikket i opladeren igen.
- Batteripakken vil også lukke ned med alle 5 LED'er slukket, når spændingen i en battericelle overstiger dens sikringsspænding. Det anbefales at aflade batteriet med det samme. Hvis dette tip følges mange gange, skal man kontakte et EGO-servicecenter.

- I tilfælde af afladning, når temperaturen i batteripakken kommer over 70°C eller under -20°C, vil batteripakken lukke ned med 5 LED'er lysende rødt i 10 sek. efter tryk på knappen. Batteripakken begynder at fungere igen i begge situationer, når temperaturen bliver normal, og derefter kan elværktøjet genstartes.

- Når spændingen i en battericelle er under 2,7 V, lukker batteripakken ned med 5 LED'er blinkende rødt i 10 sek. efter tryk på knappen. Det anbefales at indstille arbejdet og straks oplade batteripakken. Hvis dette tip følges mange gange, skal man søge assistance hos sin servicetekniker.

⚠ ADVARSEL: Du bør under ingen omstændigheder opvarme batteripakken.

OPLAD BATTERIPAKKEN

Batteripakken forsendes delvist opladet. Før du tager det i brug første gang, bør batteriet oplades.

⚠ ADVARSEL: Lad ikke batteripakken op udendørs, og udsæt den heller ikke for våde eller fugtige forhold. Hvis der kommer vand i opladeren eller batteripakken, øges risikoen for elektrisk stød. For yderligere oplysninger henvises til brugervejledningen til oplader EGO CHX5500E.

1. Slut opladeren til strømforsyningen (220-240 V-50 Hz).
2. Sæt batteristykket i opladeren.
3. Hvis batteripakken oplades normalt, blinker den grønne LED1 på opladeren. Efter tryk på den grønne knap i mindst 1 sekund vil normal opladning (ladestrøm 4A) skifte til hurtig opladning (ladestrøm 8A), og den grønne LED2 på opladeren vil blinke, mens LED1 er slukket.
4. 5 LED'er på batteripakken, der lyser konstant grønt, betyder, at batteripakken er fuldt opladet. Vent, indtil opladerens køleventilator stopper, fjern batteripakken fra opladeren, og frakobl opladeren fra strømforsyningen.

BEMÆRK:

- Batteripakken vil lade helt op, hvis den forbliver på opladeren, men den vil ikke blive overopladet.
- Følg anvisningerne i brugervejledningen til oplader EGO CHX5500E for yderligere oplysninger.
- Hvis driftstiden falder betydeligt kort efter fuld opladning af batteripakken, viser det, at batterierne er ved udløbet af deres levetid og skal udskiftes.
- Hvis du ikke har sat stikket helt på plads, vil opladerens LED blinke kontinuerligt.
- Opladeren kan blive varm under opladningen. Dette er en del af opladerens normale drift. Oplad i et godt ventileret område.

USB/12V JÆVNSTRØM

Tag gummihætterne af, og sæt USB-/jævnstrømsstikkene i USB-/jævnstrømsportene (fig. C og D). Tryk derefter på USB-/jævnstrømskontakten: Batteripakken vil levere strøm til enheder sluttet til batteripakken via USB- eller jævnstrømsportene.

C-1	Gummihætter	D-2	Port til 12V jævnstrøm
D-1	USB-port	D-3	USB-/jævnstrømsomskifter

BEMÆRK:

- USB'en og 12V jævnstrømforsyningen kan fungere samtidigt med levering af 56 V til drift. Efter brug af USB/12V jævnstrøm trækkes USB-/jævnstrømsstikkene ud, og gummihætterne sættes på igen.
- Man bør ikke bruge USB/12V jævnstrøm, mens batteripakken oplades.

SÅDAN PÅSÆTTES OG AFTAGES SELETØJET FRA BATTERIPAKKEN

Påsætning

Sørg for at de fire tapper på rammen passer med rillerne, og spænd spændet på bæltet. Tryk derefter selen op, indtil du hører et klik. (fig. E).

E-1	Påsætningsrille	E-3	Positioneringskrog på bælte
E-2	Positioneringskrog på ramme		

Aftagning

Tryk på de to udløserknapper på seletøjet bag på rammen og skub seletøjet ud (fig. F).

SÅDAN TAGES BATTERIPAKKEN PÅ

Ved normal betjening bæres seletøjet med påsat batteripakke på ryggen. For at forebygge træthed og for at kunne arbejde bekvemt, er seletøjet udstyret med et skydespænder på hoftesele og skulderstropper, hvilket sikrer fri bevægelighed.

Selelængde på hoftesele og skulderstropper kan justeres efter behov. Rygpuden bør sidde nøjagtigt og sikkert på din ryg.

- Tilpas bæltets og skulderstroppernes længde, så de sidder behageligt til normalt arbejde; længden bør tilpasses din kropsstørrelse vha. skydespænderne på hoftesele og skulderstropper.
- Sæt de to dele af klikspænderne på hhv. hoftesele og brystsele ind i hinanden, indtil de klikker på plads (fig. G og H).
- Flyt spænderne på brystet, så selerne sidder behageligt (fig. I).
- Tilpas længden på hoftesele og brystsele.
- Sæt den overskydende del af bæltet omkring taljen og brystet ind i elastikken (fig. J).

PÅSÆTNING OG AFTAGNING AF BATTERIPAKKEN

Oplad før første brug

Før batteripakkens kabel rundt langs siden af kroppen, og tilslut elværktøjet til det 1,5 m lange tilslutningskabel. Følg anvisningerne i brugsanvisningen til elværktøjet for yderligere oplysninger.

Installation (fig. K)

▲-logoet på henholdsvis stikket og elværktøjet skal flugte med hinanden, hvorefter stikket kan sættes i elværktøjet, indtil det grønne segl forsvinder helt ind i fatningen.

Afmontering

Tag stikket ud af el-værktøjet.

⚠ ADVARSEL: I en nødsituation tages batteripakken straks af skulderen. Det er hurtigt at løse spændet på bæltet og stropper i begge sider, så seletøjet kan tages af.

⚠ ADVARSEL: Pas på ikke at stramme skulderstropperne for meget, da det så kan være svært at tage batteripakken af.

⚠ ADVARSEL: Det er kun visse EGO-produkter, som batteripakken kan bruges sammen med, jf. "SPECIFIKATIONER". Vi anbefaler, at du ikke bruger batteripakken til andet elværktøj.

DK

VEDLIGEHOLDELSE

⚠ ADVARSEL: Batteripakken skal repareres eller udskiftes af EGO's kvalificerede servicecenter og -teknikere.

⚠ ADVARSEL: For at undgå alvorlig personskade skal batteripakken altid fjernes fra værktøjet, når der skiftes tilbehør, ved rengøring eller vedligeholdelse.

⚠ ADVARSEL: Ved service må der kun bruges originale reservedele fra EGO. Brug af andre dele kan forårsage fare eller forårsage skader på produktet.

⚠ ADVARSEL: Hvis rengøring med trykluft er den eneste anvendelige metode, så bær altid beskyttelsesbriller eller sikkerhedsbriller med sidebeskyttelse. Hvis arbejdet er støvet, bæres også støvmaske.

ALMINDELIG VEDLIGEHOLDELSE

Undgå at bruge opløsningsmidler ved rengøring af plastdele. De fleste plastmaterialer risikerer at blive ødelagt ved brug af forskellige typer af alment tilgængelige opløsningsmidler. Brug rene klude til at fjerne snavs, støv, olie, fedt etc.

⚠ ADVARSEL: Lad aldrig bremsevæske, benzin, oliebaseerede produkter, indtrængende olier osv. komme i kontakt med plastdele. Kemikalier kan beskadige, svække eller ødelægge plast, hvilket kan resultere i alvorlig personskade.

BATTERIER

Skil ikke batteripakken af, og forsøg heller ikke at udskifte cellerne. Håndtering af batterierne, især når man bærer ringe og smykker, kan give alvorlige forbrændinger. Læs og forstå brugervejledningen for at opnå den længst mulige batterilevetid.

⚠ ADVARSEL: Det er god praksis at frakoble opladeren og tage batteripakken ud, når den ikke er i brug.

FJERNELSE AF BATTERIPAKKE OG FORBEREDELSE TIL GENVINDING



Smid ikke batterioplader og batterier / genopladelige batterier i husets skraldespand! Ifølge EU-direktiv 2012/19/EU og EU-direktiv 2006/66/EF skal henholdsvis elektrisk og elektronisk udstyr, der ikke længere er brugbart, og defekte eller brugte batterier / batteripakker indsamles særskilt og bortskaffes på miljørigtig måde.

Li-ion

Kontakt din lokale affaldsmyndighed for oplysninger om tilgængelige muligheder genvinding og/eller bortskaffelsesmuligheder.

⚠ ADVARSEL: Efter udtagning af batteripakken med henblik på bortskaffelse eller genbrug, dækkes batteripakkens poler med kraftig selvklæbende tape. Forsøg ikke at ødelægge batteriet eller skille det ad eller fjerne nogen af dets komponenter. Lithium-ion-batterier skal genanvendes eller bortskaffes korrekt. Man skal heller ikke røre terminalerne med metalgenstande og/eller kropsdele, da det kan medføre kortslutning. Holdes utilgængelig for børn. Manglende overholdelse af disse advarsler kan forårsage brand og/eller alvorlig personskade.

FEJLFINDING

PROBLEM	ÅRSAG	LØSNING
Elværktøjet virker ikke	<ul style="list-style-type: none">Der er ingen elektrisk kontakt mellem elværktøjet og batteriet.Batteripakken er afladet.Batteripakken eller elværktøjet er for varm(t).Kablet eller stikket er defekt.Spændingen i en battericelle er under 2,7 V.	<ul style="list-style-type: none">Sæt batteripakken i elværktøjet.Oplad batteripakken.Afkøl batteripakken eller elværktøjet, indtil temperaturen falder til normale værdier.Kontakt et EGO-servicecenter.Oplad straks batteripakken.
Batteripakken kan ikke oplades	<ul style="list-style-type: none">Batteriets temperatur er over eller den specificerede værdi.Ingen elektrisk kontakt mellem batteri og oplader.Der er fejl i forbindelsen mellem oplader og strømkilde.	<ul style="list-style-type: none">Stop opladning eller afladning, indtil temperaturen er normal.Sæt batteripakken i opladeren igen.Slut opladeren til strømkilden.

DK

GARANTI

EGO's GARANTIPOLITIK

Besøg venligst hjemmesiden egopowerplus.com for fuldstændige vilkår og betingelser for EGO's garantipolitik.

LÄS IGENOM BRUKSANVISNINGEN(BATTERI)



LÄS ALLA INSTRUKTIONER!

⚠ Kvarstående risker! Personer med elektroniska enheter som t.ex. pacemakers, bör rådgöra med sin läkare innan denna produkt används. Användning av elektornisk utrustning i närheten av en pacemaker kan orsaka störningar eller fel på pacemakern.

⚠ WARNING: För att garantera en säker och pålitlig användning måste alla reparationer utföras av en kvalificerad servicetekniker.

SE

SÄKERHETSSYMBOLER

Syftet med säkerhetssymboler är att fästa din uppmärksamhet på eventuella risker. Säkerhetssymbolerna och deras betydelse bör uppmärksammas nog och förstås. Själva varningssymboler kan dock inte förebygga någon fara. De instruktioner och varningar som de hänvisar till kan aldrig ersätta lämpliga olycksförebyggande åtgärder

⚠ WARNING: Se till att läsa igenom och förstå alla säkerhetsinstruktioner i bruksanvisningen, inklusive alla varningssymboler såsom "RISK", "WARNING" och "VAR FÖRSIKTIG", innan produkten tas i bruk. Underlåtenhet att följa alla nedan angivna instruktioner kan leda till elstöt, brand och/eller svår personskada.

⚠ WARNING: Risk för brand och brännskador. Får inte demonteras, upphetas över 100 °C eller förbrännas. Förvara batteripaketet utom räckhåll för barn och i originalförpackningen tills det är klart att använda. Kassera uttjänt batteripaket omgående i enlighet med lokala återvinnings- eller avfallsbestämmelser.

SÄKERHETSINSTRUKTIONER

På denna sida anges säkerhetssymboler som kan förekomma på produkten. Alla instruktioner som anges på enheten bör granskas, förstås och följas innan du försöker montera och använda den

	Säkerhetslarm	Indikerar en potentiell risk för personskada.
	Läs igenom bruksanvisningen	Användaren bör läsa igenom och förstå bruksanvisningen innan produkten tas i bruk för att minska risk för personskada.
	Återvinningssymboler	Batteripack/batterier får inte slängas i hushållsavfall, brännas eller slängas i vatten. Batteripack/batterier bör samlas separat och återvinnas eller hanteras på ett miljövänligt sätt.
	CE	Denna produkt överensstämmer med tillämpliga EU-direktiv.
	WEEE	Förbrukade elektriska produkter får inte kastas i hushållssoporna. Lämna in dem till en auktoriserad återvinningsstation.
V	Volt	Spänning
A	Ampere	Ström
W	Watt	Effekt
min	Minuter	Tid
	Likström	Strömmens typ eller egenskap

⚠ WARNING: Läs igenom och förstå alla instruktioner. Underlåtenhet att följa alla instruktioner kan resultera i elektriska stötar, brand och/eller allvariga personskador. Uttrycket "motorredskap" i de flesta angivna varningstexter avser EGO ström- och batteridrivna (sladdlösa) gräsmatte- och trädgårdsmaskiner.

SÄKERHET I ARBETSOMRÅDET

- **Håll arbetsområdet rent och väl belyst.** Stökiga eller mörka arbetsområden kan leda till olyckor.
- **Eldrivna verktyg får inte användas i explosiva miljöer** såsom i närvaro av lättantändliga vätskor, gaser eller damm. Eldrivna verktyg kan avge gnistor som kan tända damm eller ångor

ELSÄKERHET

- **Eldrivna verktyg får inte utsättas för regn eller väta.** Intrång av vatten i ett eldrivet verktyg ökar risken för elstöt
- **Får enbart användas med under "SPECIFIKATIONER" angivna laddare och motorredskap.**

ANVÄNDNING OCH SKÖTSEL AV BATTERIPAKET

- När batteripaketet ställs av ska det hållas avskilt från andra metallföremål såsom gem, mynt, nycklar, spikar, skruvar eller andra små metallföremål som kan skapa en anslutning mellan batteripoler. Kortslutning av batteripoler kan leda till brännskador eller brand.
- **Vid felaktig användning kan batteriet läcka vätska; undvik kontakt med vätskan. Sköj med vatten vid oavsiktlig hudkontakt. Om vätskan kommer i kontakt med ögonen, sök även läkarhjälp.** Batterivätska kan orsaka irritation eller brännskador
- **Laddningsbart batteri får inte demonteras, öppnas eller krossas.**
- **Utsätt inte batteriet för hetta eller eld.** Undvik förvaring i direkt solljus.
- **Battericeller eller batterier får inte kortslutas.** Celler eller batterier får inte förvaras vårdslöst i en låda där de kan kortsluta varandra eller kortslutas av andra metallföremål
- **Ta inte ut ett batteri ur originalförpackningen förrän det ska användas.**
- **Battericeller eller batterier får inte utsättas för mekaniska stötar**
- **Förvara batteriet utom räckhåll för barn. Sök omedelbart läkarvård om ett batteri svalts.**
- **Håll batteriet rent och torrt.**
- **Torka av batteripolerna med en ren, torr trasa, om de blivit nedsmutsade.**
- **Laddningsbart batteri måste laddas innan det används.** Använd alltid korrekt laddare och läs tillverkarens anvisningar eller utrustningens handbok för korrekta laddningsanvisningar.
- **Lämna inte batteriet på laddning för länge när det inte används**

- **Efter längre lagringsperioder kan det vara nödvändigt att ladda och ladda ur batterierna flera gånger, för att erhålla maximal funktion.**
- **Behåll produktens originaldokumentation för framtida bruk**
- **Använd bara batteriet för avsett ändamål.**
- **Om möjligt, ta ut batteriet ur utrustningen när den inte används.**
- **Hantera uttjänta batterier korrekt.**

SKÖTSEL

- **Följ instruktionerna i bruksanvisningens avsnitt Underhåll.** Användning av ej godkända detaljer eller underlåtenhet att följa underhållsinstruktioner kan leda till risk för elstöt eller personskada.

SPECIFIKA SÄKERHETSREGLER

- **Lär känna ditt eldrivna verktyg. Läs noga igenom bruksanvisningen. Ta reda på verktygets användningsområden och begränsningar samt eventuella specifika risker.** Genom att följa denna regel minskar man risken för elstöt, brand eller svår personskada
- **Batteridrivna verktyg behöver inte anslutas till något vägguttag, dvs att de är alltid användningsklara.** Var medveten om eventuella risker medan det batteridrivna verktyget inte används. Ta alltid ut batteriet före byte av tillbehör. Genom att följa denna regel minskar man risken för elstöt, brand eller svår personskada.
- **Krossa, tappa eller skada inte batteripaketet. Använd inte ett batteripaket eller laddare som har tappats eller utsatts för ett kraftigt slag.** Ett skadat batteri kan explodera. Kassera omedelbart ett tappat eller skadat batteri på korrekt sätt.
- **Batteriet får inte laddas i en fuktig eller våt miljö.** Genom att följa denna regel minskar man risken för elstöt.
- **För bästa resultat bör batteriet laddas i en miljö där temperaturen är över 0° C och under 40° C.** Batteriet får inte förvaras ute eller i ett fordon.
- **Plastdetaljerna får inte komma i kontakt med bensin, oljor, petroleumbaserade produkter osv.** Dessa innehåller kemikalier som kan skada, försvaga eller förstöra plast.
- **Service på ditt batteripack får endast utföras av en kvalificerad reparatör och endast med identiska reservdelar.** Detta upprätthåller säkerheten av batteripaketet.

- **Spara dessa instruktioner.** Läs dem ofta och använd dem för att instruera eventuella övriga användare av enheten. Om du lånar enheten till någon bör dessa instruktioner följa med för att förebygga eventuell fel användning och personskada.

SPECIFIKATIONER

Märkspänning	56V
Max kapacitet	1568Wh
Passande laddare	CHX5500E
Laddningsström	Snabbaddning: 8A normalladdning: 4A
Laddningstid	Snabbaddning: ungefär 3,5tim Normalladdning: ungefär 7tim
Passande motorredskap	LBX6000, HTX6500, BCX3800
Vikt	8,7kg
Specificerat omgivningstemperaturområde för urladdning	-20°C~40°C

SE

4. USB/DC-omkopplare
5. 12V DC-gränssnitt
6. Strömindikator och omkopplarknapp
7. Fästjäder för axelrem
8. Fästjäder för bältesrem
9. Säkringsservicekåpa
10. Axelrem
11. Ram
12. Nät
13. Bälte
14. Sele (säljs separat)
15. Höftdyna (säljs separat)

DRIFT

STRÖMINDIKATOR PÅ BATTERIPAKET (bild B)

Detta litiumjonryggsäcksbatteri är försett med en strömindikator, som visar laddningskapacitetsnivå och fel hos batteripaketet. Tryck på strömindikatorn för att visa kapacitetsnivån när batteriet inte laddas. LED-indikatorn tänds i tio sekunder.

- Under pågående laddning kan lysdiodsindikatorn visa olika nedan angivna gränsvärden utan att omkopplarknappen trycks in.

BESKRIVNING

LÄR KÄNNA DITT BATTERIPAKET (bild A)

1. Kabel
2. Handtag
3. USB-port

LADDNING						
Batterikapacitet/fel	Lysdioder					Anmärkningar
	1	2	3	4	5	
<20 %	Blinkar grönt	Av	Av	Av	Av	1 blinkning
20 % ≤ kapacitet < 40 %	På	Blinkar grönt	Av	Av	Av	1 på, 1 blinkning
40 % ≤ kapacitet < 60 %	På	På	Blinkar grönt	Av	Av	2 på, 1 blinkning
60 % ≤ kapacitet < 80 %	På	På	På	Blinkar grönt	Av	3 på, 1 blinkning
80 % ≤ kapacitet < 100 %	På	På	På	På	Blinkar grönt	4 på, 1 blinkning
Kapacitet = 100 % (fulladdat)	På	På	På	På	På	5 på i flera minuter, sedan frånslag
Batteriet går inte att ladda	Av	Av	Av	Av	Av	5 LED-lampor vilka alla slås från
Övertemperatur batteri	Av	Av	Av	Av	Av	5 LED-lampor vilka alla slås från

Om ryggsäcksbatteriet urladdas eller förblir oanvänt, **TRYCK PÅ OMKOPPLARKNAPPEN** så visar LED-indikatorn andra gränsvärden än vid laddning, vilket framgår nedan.

LADDAS UR/OANVÄNT						
Batterikapacitet/fel	Lysdioder					Anmärkningar
	1	2	3	4	5	
80 % < kapacitet ≤ 100 %	På	På	På	På	På	5 LED-lampor lyser i 10 sekunder efter knapptryckning
60 % < kapacitet ≤ 80 %	På	På	På	På	Av	4 LED-lampor lyser i 10 sekunder efter knapptryckning
40 % < kapacitet ≤ 60 %	På	På	På	Av	Av	3 LED-lampor lyser i 10 sekunder efter knapptryckning
20 % < kapacitet ≤ 40 %	På	På	Av	Av	Av	2 LED-lampor lyser i 10 sekunder efter knapptryckning
10 % < kapacitet ≤ 20 %	På	Av	Av	Av	Av	1 LED-lampa lyser i 10 sekunder efter knapptryckning
≤10 %	Blinkar grönt	Av	Av	Av	Av	1 LED-lampa blinkar i 10 sekunder efter knapptryckning
Underspänning (<2,7 V)	Blinkar rött	Blinkar rött	Blinkar rött	Blinkar rött	Blinkar rött	5 röda lampor blinkar i 10 sekunder efter knapptryckning
Övertemperatur batteri	Lyser rött	Lyser rött	Lyser rött	Lyser rött	Lyser rött	5 röda lampor lyser i 10 sekunder efter knapptryckning

SE

BATTERIETS SKYDD

Batterikretsarna skyddar batteripaketet mot extrema temperaturer, överurladdning och överladdning. För att skydda batteriet från att skadas och förlänga dess livslängd, slår batteripaketets kretsar från batteripaketet om det överbelastas eller om temperaturen blir för hög eller för låg under användning. Detta kan inträffa vid extremt högt vridmoment, kärvning och motorstopp.

- I samband med laddning slås batteripaketet från och alla 5 lysdioderna släcks om temperaturen går över 60°C eller under 0°C. Om temperaturen återgår till den normala inom 90 minuter, återgår batteriet automatiskt i drift. Annars stängs det av, sätt då tillbaka kontakten i laddaren igen för att återaktivera laddning.
- Batteripaketet slås också från och alla 5 LED-lamporna släcks om spänningen i en battericell överskrider skyddsspänningen. Omedelbar urladdning av batteripaketet rekommenderas då. Kontakta EGO servicecenter om detta problem upprepas många gånger.

- Om batteripaketets temperatur i samband med urladdning går över 70°C eller under -20°C, kommer batteripaketet att slås från och de 5 LED lyser rött i 10 s efter knapptryckning. Det återgår i drift i båda fallen sedan normal temperatur åter råder och möjliggör omstart av motorredskapet.
- När spänningen i en battericell ligger under 2,7 V, slås batteripaketet från och de 5 lysdioderna blinkar rött i 10 s efter knapptryckning. I sådant fall rekommenderas att omgående avbryta arbetet och ladda batteripaketet. Om detta problem upprepas många gånger, kontakta då din servicetekniker för assistans.

⚠ VARNING: du får aldrig under några förhållanden värma upp batteripaketet.

LADDA BATTERIPAKETET

Batteripaketet levereras delvis laddat. Innan det används första gången ska batteriet laddas.

⚠ VARNING: ladda inte batteripaketet utomhus och utsätt det inte för våta eller fuktiga förhållanden. Vatten som tränger in i laddaren eller batteripaketet ökar risken för elstöt. Se användarhandboken för laddaren EGO CHX5500E för ytterligare information.

1. Anslut laddaren till elnätet (220-240 V~50 Hz).
2. Sätt i batterikontakten i laddaren.
3. Om batteripaketet står på normal laddning, blinkar den gröna LED1 på laddaren. Efter tryckning på gröna knappen i minst 1 s, övergår normalladdningen (laddningsström 4A) till snabbladdning (laddningsström 8A) och den gröna LED2 på laddaren blinkar och LED1 släcks.
4. Om de 5 lysdioderna på batteripaketet visar fast grönt sken, innebär det att batteripaketet är fulladdat. Vänta tills laddarens kylfläkt stannar, ta bort batteripaketet från laddaren och koppla bort laddaren från elnätet.

OBS:

- Batteripaketet laddas fullt om det lämnas i laddaren. Det kommer inte att överladdas.
- Följ anvisningarna i användarhandboken för laddaren EGO CHX5500E för ytterligare information.
- Väsentligt reducerad drifttid efter fulladdning av batteripaketet tyder på att batterierna är nära slutet på sitt driftsliv och måste bytas ut.
- Om du inte satt in kontakten helt på plats, kommer lysdioden i laddarlampan att blinka oavbrutet.
- Laddaren kan bli varm under laddningen. Detta är normalt för laddaren. Ladda i ett utrymme med god ventilation.

USB/12V DC

Öppna gummikåporna och sätt in USB/DC-kontaktarna i USB/DC-portarna (bild C och D). Tryck sedan på USB/DC-omkopplarknappen, så kommer batteripaketet att strömförsörja de anslutna anordningarna via USB- eller DC-portarna.

C-1	Gummikåpor	D-2	12V DC-port
D-1	USB-port	D-3	USB/DC-omkopplare

OBS:

- Funktionerna med USB- och 12V DC-matning kan arbeta samtidigt med 56 V strömkälla. Sedan USB/12V DC använts ska USB/DC-kontaktarna dras ur och gummikåporna sättas på plats.
- Använd inte USB/12V DC medan batteripaketet laddas.

ANSLUTA OCH LOSSA SELE TILL/FRÅN BATTERIPAKET

För att ansluta

Rikta in de fyra utskjutande delarna på ramen med monteringssskärorna och anslut ribban på bättet med fixeringsfjäders. Skjut sedan upp selen tills det hörs ett klick. (bild E).

E-1	Monteringssspår	E-3	Bälteslokaliseringsspant
E-2	Ramlokaliseringsspant		

För att koppla loss

Tryck på de båda frikopplingsknapparna på selen bakom ramen och skjut ut selen (bild F).

SÄTTA PÅ BATTERIPAKETET

Under normal drift bärs batteripaketet med selen på ryggen. För att förebygga utmattning och ge komfortabelt arbete, är selen försedd med en midjebälteskoppling och två axelremskopplingar, vilket garanterar rörelsefrihet.

Det går att fritt reglera längden på midjebälte och axelremmar. Ryggkudden ska passas in fast och säkert på ryggen.

- Reglera bältes- och axelremslängd så att du känner dig komfortabel före normalt arbete. Längden ska anpassas till din kroppsstorlek via midjebältes- och axelremskopplingarna.
- För in de båda delarna på bältestspanne och midjespanne i varandra tills klickljud hörs (bild G och H).
- Reglera höjden på midjespannet, så att det känns komfortabelt (bild I).
- Justera om längden på bältesrem och midjerem.
- Infoga ev extra bälteslängd runt midja och bukrem i den elastiska delen (bild J).

ATT SÄTTA I OCH TA UT BATTERIPAKET

Ladda före första användning

Led batteripaketskabeln runt sidan på kroppen och anslut motorredskap till den 1,5 m långa anslutningskabeln. Följ anvisningarna i motorredskapets handbok för ytterligare information.

Installation (bild K)

Med uppriktad ▲-märkning på kontakt respektive motorredskap, ska kontakten sättas in i motorredskap tills den gröna packningen försvinner helt i uttaget.

Borttagning

Dra ut kontakten ur motorredskapet.

⚠ VARNING: I en nödsituation ska du omedelbart lyfta bort batteripaketet från axlarna. En snabb lossningsmetod är att koppla loss bälte och midjespänne och sedan ta av axelselen på varje sida.

⚠ VARNING: Dra inte åt axelremmarna för hårt, eftersom det då kan vara svårt att ta av batteripaketet.

⚠ VARNING: Enbart vissa EGO-produkter passar med batteripaketet enligt uppgift under "SPECIFIKATION". Vi rekommenderar dig att inte använda batteripaketet med andra motorredskap.

UNDERHÅLL

⚠ VARNING: Batteripaketet får enbart repareras eller bytas ut av auktoriserade EG-servicecentra och -tekniker.

⚠ VARNING! Ta alltid ut batteripaketet ur verktyget före byte av tillbehör, rengöring eller någon underhållsåtgärd för att förebygga svåra personskador.

⚠ VARNING: Endast identiska reservdelar av EGO får användas vid service. Användning av andra detaljer kan leda till risker eller skada på produkten..

⚠ VARNING: Om rengöring med tryckluft är det enda alternativet, se alltid till att använda skyddsglasögon eller skyddsglasögon med sidoskydd. Använd alltid en ansiktsmask om användningen är dammig.

ALLMÄNT UNDERHÅLL

Undvik användning av lösningsmedel vid rengöring av plastdetaljer. De flesta plastmaterialen är känsliga mot olika typer av vanliga lösningsmedel och kan skadas. Använd en ren trasa för att torka bort smuts, damm, olja, smörjmedel osv.

⚠ VARNING: Plastdetaljerna får inte komma i kontakt med bromsvätska, bensen, petroleumbaserade produkter, penetrerande oljor osv. Kemikalier kan skada, försvaga eller förstöra plast vilket kan leda till svåra personskador.

BATTERIER

Demontera inte batteripaketet eller försök inte byta ut cellerna. Hantering av batterierna kan leda till allvarliga brännskador, i synnerhet för den som bär ringar eller smycken. För längsta möjliga livslängd för batteriet, läs igenom och förstå bruksanvisningen.

⚠ VARNING: Det är en god vana att koppla ur laddaren och ta bort batteripaketet när de inte används.

HANTERING AV UTTJÄNTA BATTERIPACK OCH FÖRBEREDELSE FÖR ÅTERVINNING



Li-ion

Kassera inte batteriladdaren och batterierna/uppladdningsbara batterierna i hushållsoporna! Enligt det europeiska direktivet 2012/19/EU om avfall som utgörs av eller innehåller inte längre användbar elektrisk och elektronisk utrustning, och enligt det europeiska direktivet 2006/66/EG för defekta eller förbrukade batteripaket/batterier, måste de samlas in separat och hanteras på ett miljöriktigt sätt.

Rådfråga din lokala avfallshanteringsmyndighet för information om hur man lämnar produkten till återvinning och/eller skrotning.

⚠ VARNING: Sedan batteripaketet avlägsnats för kassation eller återvinning ska dess poler täckas med kraftig självhäftande tejp. Försök inte att förstöra eller demontera batteripaketet eller ta bort några av dess komponenter. Litiumjonbatterier måste återvinnas eller kasseras på ett korrekt sätt. Vidrör heller aldrig polerna med metallföremål och/eller kroppsdelar, eftersom detta kan leda till kortslutning. Förvaras utom räckhåll för barn. Underlåtenhet att följa dessa varningstexter kan leda till brand och/eller allvarlig kroppsskada.

SE

FELSÖKNING

PROBLEM	ORSAK	ÅTGÄRD
Motorredskapet fungerar inte	<ul style="list-style-type: none">■ Ingen elektrisk kontakt mellan motorredskapet och batteri.■ Batteripaketet är helt tomt.■ Batteripaket eller motorredskapet är överhettat.■ Kabeln eller kontakten är defekt.■ Spänningen i en battericell ligger under 2,7 V.	<ul style="list-style-type: none">■ Anslut batteripaketet till motorredskapet.■ Ladda batteripaketet.■ Låt batteripaketet eller motorredskapet svalna tills temperaturen sjunker till normala värden.■ Kontakta EGO servicecentra.■ Ladda batteripaketet omedelbart.
SE Det går inte att ladda batteripaketet	<ul style="list-style-type: none">■ Batteritemperaturen stiger över eller sjunker under specificerat värde.■ Ingen elektrisk kontakt mellan batteri och laddare.■ Fel i anslutningen mellan laddare och strömkälla.	<ul style="list-style-type: none">■ Sluta ladda eller urladda tills temperaturen blir normal.■ Sätt tillbaka batteripaketet i laddaren.■ Sätt tillbaka laddarkontakten i strömkällan.

GARANTI

GARANTIVILLKOREN AV EGO

Var god besök webbplatsen egopowerplus.com för att se de fullständiga garantivillkoren av EGO.

LUE KÄYTTÄJÄN KÄSIKIRJA



LUE KAIKKI OHJEET!

⚠ Jäännösriski! Henkilöiden, joilla on sydämentahdistin tai muu vastaava elektroninen laite, tulisi keskustella lääkärin kanssa ennen tämän tuotteen käyttöä. Sähkölaitteiden käyttö sydämentahdistimen lähetyksillä saattaa häiritä tahdistimen toimintaan tai aiheuttaa vakavan toimintahäiriön.

⚠ VAROITUS: Anna asiantuntevan huoltoteknikon tehdä kaikki korjaukset ja osien vaihdot, jotta laite on varmasti turvallinen ja luotettava.

TURVAMERKIT

Turvamerkkien tavoitteena on kiinnittää huomiota mahdollisiin vaaroihin. Sinun tulee lukea huolellisesti ja ymmärtää turvamerkit ja niiden selitteet. Turvamerkit eivät itsessään poista vaaraa. Niiden antamat ohjeet ja varoitukset eivät korvaa asianmukaisia tapaturman torjuntatoimenpiteitä

⚠ VAROITUS: Varmista, että luet ja ymmärrät kaikki tämän käyttäjän käsikirjan turvallisuusohjeet, mukaan lukien kaikki vaaramerkit, kuten **“VAARA”**, **“VAROITUS”** ja **“HUOMIO”**, ennen kuin käytät työkalua. Kaikkien alla mainittujen ohjeiden noudattamatta jättäminen voi aiheuttaa sähköiskun, tulipalon ja/tai vakavan henkilövahingon.

⚠ VAROITUS: Tulipalon ja palovammojen riski. Älä pura, lämmitä yli 100 °C:een tai polta. Pidä akku poissa lasten ulottuvilta ja alkuperäisessä pakkauksessaan, kunnes se on valmis käyttöön. Hävitä käytetty akku välittömästi paikallisten kierrätys- tai jätesäännösten mukaisesti.

TURVALLISUUSOHJEET

Tällä sivulla esitetään ja kuvataan tähän tuotteeseen mahdollisesti liittyvät turvamerkit. Lue kaikki koneen ohjeet siten, että ymmärrät ne, ja noudata niitä ennen kuin kasaat koneen ja käytät sitä.

	Turvallisuusshälytys	Osoittaa mahdollista henkilövahinkojen vaaraa.
	Lue käyttäjän käsikirja	Tapaturmariskin pienentämiseksi käyttäjän täytyy lukea ja ymmärtää käyttäjän käsikirja ennen tuotteen käyttöä.
	Li-ion Kierrätysmerkit	Älä hävitä akkuyksiköitä/akkuja kotitalousjätteen mukana, polttamalla tai upottamalla veteen. Akkuyksiköt/akut tulee kerätä, kierrättää tai hävittää ympäristöystävällisellä tavalla.
	CE	Tämä tuote vastaa sovellettavia EU-direktiivejä.
	WEEE	Vanhoja sähkölaitteita ei saa hävittää kotitalousjätteen mukana. Vie laite valtuutettuun kierrätyslaitokseen.
V	Voltti	Jännite
A	Ampeeria	Virta
W	Wattitunti	Energia
min	Minuuttia	Aika
	Tasavirta	Virran tyyppi tai ominaisuus

FI

⚠ VAROITUS: Lue ja ymmärrä kaikki ohjeet. Ohjeiden noudattamatta jättäminen saattaa aiheuttaa sähköiskun, tulipalon ja/tai vakavan henkilökohtaisen vammun. Termi ”sähkötyökalu” useimmissa luettelon varoituksissa viittaa EGO:n sähkö-/akkukäyttöisiin (langattomiin) nurmikko- ja puutarhalaitteisiin.

TYÖALUEEN TURVALLISUUS

- **Pidä työalue puhtaana ja hyvin valaistuna.**
Epäjärjestyksessä olevilla tai hämärillä alueilla sattuu helpommin tapaturmia.

- Älä käytä sähkötyökaluja räjähdysvaarallisissa ympäristöissä, kuten syttyvien nesteiden, höyryjen tai pölyn läheisyydessä. Sähkötyökalujen käytöstä syntyy kipinöitä, jotka voivat sytyttää pölyn tai höyryt palamaan.

SÄHKÖTURVALLISUUS

- Älä altista sähkötyökaluja sateelle tai märille olosuhteille. Sähkötyökaluun tunkeutuva vesi lisää sähköiskun vaaraa.
- Käytä vain kohdassa ”TEKNISET TIEDOT” lueteltujen laturoiden ja sähkötyökalujen kanssa.

AKUN KÄYTTÖ JA KUNNOSSAPITO

- Kun akkuyksikköä ei käytetä, pidä se kaukana metalliesineistä, kuten paperiliittimistä, kolikoista, avaimista, nauloista, ruuveista tai muista pienistä metalliesineistä, jotka voivat muodostaa yhteyden napojen välille. Akun napojen yhdistäminen voi aiheuttaa palovammoja tai tulipalon
- Nestettä voi vuotaa akusta, jos siihen kohdistuu iskuja; vältä tällöin kontaktia. Jos kontakti vahingossa tapahtuu, huuhtelee vedellä. Jos nestettä pääsee silmiin, hakeudu myös lääkärin hoitoon. Akkuneite voi aiheuttaa ärsytystä tai palovammoja
- Älä pura, avaa tai silppua ladattavaa akkua.
- Älä altista akkua kuumuudelle tai tulelle. Vältä varastointia suorassa auringonvalossa.
- Älä aiheuta oikosulkua kennoon tai akkuun. Älä säilytä kennoja tai akkuja umpimähkäisesti laatikossa tai pöytälaatikossa, missä ne voivat aiheuttaa toisilleen oikosulkuja tai muut metalliesineet voivat aiheuttaa niihin oikosulkuja
- Älä poista akkua alkuperäisestä pakkauksestaan ennen kuin sitä tarvitaan käyttöön.
- Älä altista kennoja tai akkuja mekaanisille iskuille
- Pidä akku lasten ulottumattomissa. Hakeudu hoitoon välittömästi, jos akku on nieltä.
- Pidä akku puhtaana ja kuivana.
- Jos akun navat ovat likaantuneet, puhdista ne puhtaalla, kuivalla liinalla.
- Toissijainen akku täytyy ladata ennen käyttöä. Käytä aina oikeanlaisia laturia ja tutustu valmistajan ohjeisiin tai laitteen ohjeeseen kunnollisia latausohjeita varten.
- Älä jätä akkua pitkäksi aikaa lataukseen, kun sitä ei käytetä.
- Pitkän säilytysajan jälkeen saattaa olla tarpeen ladata ja tyhjentää akkuja useampaan kertaan, jotta ne toimisivat parhaalla mahdollisella tavalla.

- Säilytä alkuperäinen tuotekirjallisuus tulevaa tarvetta varten
- Käytä akkua vain siihen käyttöön, johon se on tarkoitettu.
- Irrota akku mahdollisuuksien mukaan laitteesta, kun sitä ei käytetä.
- Hävitä asianmukaisesti.

HUOLTO

- Noudata tämän käsikirjan Huolto-osiossa annettuja ohjeita. Valtuuttamattomien osien käyttö tai Huolto-ohjeiden noudattamatta jättäminen voi aiheuttaa sähköisku- tai loukkaantumisriskin.

ERITYISET TURVAMÄÄRÄYKSET

- Opettele tuntemaan sähkötyökalusi. Lue käyttäjän käsikirja huolellisesti. Opettele työkalun käyttötarkoitukset ja rajoitukset sekä siihen liittyvät mahdolliset vaarat. Näiden ohjeiden noudattaminen pienentää sähköiskun, tulipalon tai vakavan henkilövahingon riskiä
- Akkutyökaluja ei tarvitse kytkeä sähköverkkoon; ne ovat siksi aina käyttökunnossa. Huomioi mahdolliset vaarat, kun akkutyökalu ei ole käytössä. Irrota akku aina ennen lisävarusteiden vaihtamista. Tämän ohjeen noudattaminen pienentää sähköiskun, tulipalon tai vakavan henkilövahingon riskiä
- Älä murskaa, pudota tai vaurioita akkua. Älä käytä akkua tai laturia, joka on pudonnut tai johon on osunut voimakas isku. Vahingoittunut akku saattaa räjähtää. Hävitä pudonnut tai vahingoittunut akku välittömästi ja oikeaoppisesti.
- Älä lataa akkua kosteassa tai märässä paikassa. Tämän ohjeen noudattaminen pienentää sähköiskun riskiä
- Paras lopputulos saadaan, kun akku ladataan paikassa, jossa lämpötila on 0–40 °C. Älä säilytä akkua ulkona tai ajoneuvoissa
- Älä päästä bensiniä, öljyä, petrolipohjaisia tuotteita jne. kosketuksiin muoviosien kanssa. Kyseiset aineet sisältävät kemikaaleja, jotka voivat vaurioittaa, heikentää tai tuhota muovia
- Huollata akkuyksikkö valtuutetulla korjaajalla käyttämällä vain valmistajan hyväksymiä varaosia. Näin voit varmistaa, että akkuyksikkö säilyy turvallisenä.
- Säilytä nämä ohjeet. Lue niitä usein ja anna ne myös luettavaksi muille henkilöille, jotka mahdollisesti käyttävät työkalua. Jos lainaat työkalua toiselle henkilölle, anna mukaan myös nämä ohjeet, jotta voit estää tuotteen väärinkäytön ja mahdollisen loukkaantumisen

MÄÄRITYKSET

Nimellisjännite	56V
Enimmäisvaraus	1568Wh
Yhteensopiva laturi	CHX5500E
Latausvirta	Pikalataus: 8A Normaali lataus: 4A
Latausaika	Pikalataus: Noin 3,5tuntia Normaali lataus: Noin 7tuntia
Yhteensopivat sähkötyökalut	LBX6000, HTX6500, BCX3800
Paino	8,7kg
Määritetty ympäristölämpötila purkautumiselle	-20°C–40°C

4. USB/DC-kytkin
5. 12V DC-portti
6. Virran merkkivalo ja virtapainike
7. Olkahihnan kiinnitysjoussi
8. Vyöhihnan kiinnitysjoussi
9. Sulakkeen huoltokansi
10. Olkahihna
11. Runko
12. Verkko
13. Vyö
14. Valjaat (lisävaruste)
15. Lonkkapehmuste (lisävaruste)

KÄYTTÖ

AKUN VIRRRAN MERKKIVALO (kuva B)

Tässä litium-ioniakussa on virran merkkivalo, joka näyttää akun lataustason ja akun viat. Painamalla virran merkkivaloa näet varaustason, kun akku ei ole latauksessa. LED-merkkivalo palaa 10 sekuntia.

- Mikäli akku on latauksessa, LED-merkkivalo voi näyttää erilaisia tietoja ilman virtapainikkeen painamista.

KUVAUS

TUNNE AKKUSI (kuva A)

1. Johto
2. Kahva
3. USB-portti

FI

Akun varaustaso / vika	LATAAMINEN					Huomautukset
	LED-valot					
	1	2	3	4	5	
<20 %	Viikkuu vihreänä	Ei pala	Ei pala	Ei pala	Ei pala	1 välähtelee
20 % ≤ varaus < 40 %	Palaa	Viikkuu vihreänä	Ei pala	Ei pala	Ei pala	1 palaa, 1 välähtelee
40 % ≤ varaus < 60 %	Palaa	Palaa	Viikkuu vihreänä	Ei pala	Ei pala	2 palaa, 1 välähtelee
60 % ≤ varaus < 80 %	Palaa	Palaa	Palaa	Viikkuu vihreänä	Ei pala	3 palaa, 1 välähtelee
80 % ≤ varaus < 100 %	Palaa	Palaa	Palaa	Palaa	Viikkuu vihreänä	4 palaa, 1 välähtelee
Varaus = 100 % (täyteen ladattu)	Palaa	Palaa	Palaa	Palaa	Palaa	5 palaa useita minutteja, sitten sammuu
Akkua ei saa ladata	Ei pala	Ei pala	Ei pala	Ei pala	Ei pala	5 LED-valoa sammuvat kaikki
Akun ylikuumeneminen	Ei pala	Ei pala	Ei pala	Ei pala	Ei pala	5 LED-valoa sammuvat kaikki

Jos akku on purkautunut tai sitä ei tulla käyttämään, **PAINA VIRTAPAINIKETTA**. LED-merkkivalot ilmaisevat erilaisia tietoja, kuten alla latauksessa.

PURKAUTUNUT/EI KÄYTTÖSSÄ						
Akun varaustaso / vika	LED-valot					Huomautukset
	1	2	3	4	5	
80 % < varaus ≤100 %	Palaa	Palaa	Palaa	Palaa	Palaa	5 LED-valoa palaa 10 sekuntia painikkeen painamisen jälkeen
60 % < varaus ≤80 %	Palaa	Palaa	Palaa	Palaa	Ei pala	4 LED-valoa palaa 10 sekuntia painikkeen painamisen jälkeen
40 % < varaus ≤60 %	Palaa	Palaa	Palaa	Ei pala	Ei pala	3 LED-valoa palaa 10 sekuntia painikkeen painamisen jälkeen
20 % < varaus ≤40 %	Palaa	Palaa	Ei pala	Ei pala	Ei pala	2 LED-valoa palaa 10 sekuntia painikkeen painamisen jälkeen
10 % < varaus ≤20 %	Palaa	Ei pala	Ei pala	Ei pala	Ei pala	1 LED-valo palaa 10 sekuntia painikkeen painamisen jälkeen
≤10 %	Vilkkuu vihreänä	Ei pala	Ei pala	Ei pala	Ei pala	1 LED-valo vilkkuu 10 sekuntia painikkeen painamisen jälkeen
Alijännite (<2,7 V)	Vilkkuu punaisena	Vilkkuu punaisena	Vilkkuu punaisena	Vilkkuu punaisena	Vilkkuu punaisena	5 punaista valoa vilkkuu 10 sekuntia painikkeen painamisen jälkeen
Akun ylikuumentuminen	Loistaa punaisena	Palaa punaisena	Loistaa punaisena	Loistaa punaisena	Loistaa punaisena	5 punaista valoa palaa 10 sekuntia painikkeen painamisen jälkeen

FI

AKUN SUOJAUS

Akun mikropiiristö suojaa akkua äärimmäisiltä lämpötiloilta, virtapiikeiltä ja ylilataukselta. Akun mikropiiristö suojaa akkua vahingolta ja pidentää sen käyttöikää sammuttamalla itsensä, jos akku ylilatautuu tai jos akun lämpötila on liian korkea tai liian alhainen käytön aikana. Näin saattaa käydä äärimmäisissä vääntömomentti-, juuttumis- ja sakkaustilanteissa.

- Lataustilanteessa akku kytkeytyy pois ja kaikki 5 LED-valoa sammuu, kun lämpötila ylittää 60 °C tai alittaa 0 °C. Kun lämpötila on palautunut normaaliksi 90 minuutissa, akku kytkeytyy toimintaan automaattisesti. Muutoin akku sammuu. Pistokkeen asettaminen laturiin uudelleen voi aktivoida latauksen jälleen.
- Akku kytkeytyy pois ja kaikki 5 LED-valoa sammuu myös silloin, kun akkukennon jännite ylittää suojajännitteen. Suosittelemme purkamaan akun varauksen välittömästi. Jos tämä ongelma toistuu useita kertoja, ota yhteys EGO-huoltoliikkeeseen.

- Purkaustilanteessa akku kytkeytyy pois ja 5 LED-valoa loistavat punaisina 10 s painikkeen painamisen jälkeen, jos lämpötila ylittää 70°C tai alittaa -20°C. Akku palautuu toimintaan molemmissa tiloissa, kun normaali lämpötila on saavutettu ja silloin sähkötyökalu voidaan käynnistää uudelleen.
- Jos akkukennon jännite on alle 2,7 V, akku kytkeytyy pois päältä ja 5 LED-valoa vilkkuu 10 s painikkeen painamisen jälkeen. Suosittelemme pysäyttämään työt ja lataamaan akun välittömästi. Jos tämä tapahtuu useita kertoja, ota yhteys huoltoliikkeeseen.

VAROITUS: Älä missään olosuhteissa kuumenna akkua.

LATAA AKKU

Akku toimitetaan osittain ladattuna. Akku on ladattava ennen ensimmäistä käyttökertaa.

VAROITUS: Älä lataa akkua ulkona tai altista sitä kosteille tai märillä olosuhteille. Akkuun pääsevä vesi lisää sähköiskun riskiä. Lisätietoja löydät EGO CHX5500E -laturin käyttöoppaasta.

1. Yhdistä laturi sähköverkkoon (220–240 V, 50 Hz).
2. Työnnä akun pistoke laturiin.
3. Jos akku on normaalissa latauksessa, laturin vihreä LED 1 vilkkuu. Kun vihreätä painiketta on painettu vähintään 1 s, normaali lataus (latausvirta 4A) vaihtuu pikalataukseksi (latausvirta 8A), laturin vihreä LED 2 vilkkuu ja LED 1 ei pala.
4. Akku on täyteen ladattu, kun akun 5 LED-valoa loistavat jatkuvasti vihreinä. Odota, kunnes laturin tuuletin sammuu, ja poista sitten akku laturista ja irrota laturi sähköverkosta.

HUOMAA:

- Akku latautuu täyteen, jos sen jättää laturiin, mutta ei yllilataudu.
- Noudata EGO CHX5500E-laturin ohjeita lisätietojen saamiseksi.
- Täysin ladatun akun merkittävästi lyhentynyt käyttöaika viittaa siihen, että akut ovat lähenemässä käyttöikänsä loppua ja ne on vaihdettava.
- Jos et ole työntänyt pistoketta paikalleen kunnolla, laturin LED-valo vilkkuu jatkuvasti.
- Laturi saattaa lämmentä latauksen aikana. Tämä kuuluu laturin normaaliin toimintaan. Lataa hyvin ilmastoidussa paikassa.

USB/12V DC

Poista kumisuojukset ja yhdistä USB-/DC-pistoke USB-/DC-porttiin (kuvat C ja D). Paina sitten USB-/DC-kytkinpainiketta, akku käyttää laitteita, jotka on yhdistetty siihen USB- tai DC-portin kautta.

C-1	Kumisuojukset	D-2	12V DC-portti
D-1	USB-portti	D-3	USB/DC-kytkin

HUOMAUTUS:

- USB- ja 12V DC-virtatoiminnot voivat toimia samanaikaisesti 56 V virtalähteen kanssa. Kun lopetat USB:n/12V DC:n käytön, vedä USB/DC-pistoke irti ja laita kumisuojukset paikoilleen.
- Älä käytä USB/12V DC-liitäntää silloin, kun akku on latauksessa.

VALJAIDEN YHDISTÄMINEN AKKUUN JA IRROTTAMINEN SIITÄ

Yhdistäminen

Kohdista rungon neljä ulkonevaa osaa kiinnitysuriin ja yhdistä vyön kohouma vyön kiinnitysjouseen. Liu'uta valjaita sitten ylös, kunnes kuulet napsahduksen. (kuva E).

E-1	Kiinnitysura	E-3	Vyön kohouma
E-2	Rungon kohouma		

Irrottaminen

Paina kahta vapautuspainiketta rungon takana ja liu'uta valjaat irti (kuva F).

AKUN ASETTAMINEN

Normaalissa käytössä valjailla varustettua akkua käytetään selässä. Väsymisen estämiseksi ja käyttömukavuuden lisäämiseksi valjaat on varustettu lannevyöllä ja olkahihnoilla, jotka takaavat liikkumisvapauden.

Lannevyön ja olkahihnojen pituutta voi säätää vapaasti. Selkäpehmusteen pitää kohdistua selkään oikein.

- Säädä vyötä ja olkahihnan pituutta, jotta normaali työskentely on miellyttävää. Lannehihasoljen ja olkahihnojen soljen läpi menevän pituuden tulee olla oman kokosi mukainen.
- Työnnä kaksi vyönsoljen ja rintasoljen osaa yhteen, kunnes kuulet napsahduksen (kuvat G ja H).
- Säädä hihasoljen korkeutta käyttömukavuuden varmistamiseksi (kuva I).
- Säädä vyöhihnan ja rintahiinan pituus uudelleen.
- Työnnä kaikki ylimääräinen hihanpituus vyötärön ja rinnan ympärille ja joustavaan pidikkeeseen (kuva J).

AKKUYKSIKÖN KIINNITYS JA IRROTUS

Lataa täyteen ennen ensimmäistä käyttökertaa

Ohjaa akun johto ympäri rungon sivusta ja yhdistä ja yhdistä sähkötyökalut 1,5 metrin liitäntäjohtoon. Noudata sähkötyökalun ohjeita lisätietojen saamiseksi.

Asennus (kuva K)

Kohdista pistokkeen ja sähkötyökalun ▲ merkit kohdakkain ja työnnä pistoke sähkötyökaluun, kunnes vihreä tiiviste häviää täysin liitäntään.

Irrottaminen

Irrota pistoke sähkötyökalusta.

VAROITUS: Ota akku pois olaltasi välittömästi, jos on hätätilanne. Vyön ja rintahiinan soljen vapauttaminen ja olkavaljaiden riisuminen kummaltakin puolelta on pikavapautusmenetelmä.

VAROITUS: Älä kiristä olkahihnoja liikaa, sillä silloin akun irrottaminen voi olla vaikeaa.

VAROITUS: Vain tietyt EGO-tuotteet sopivat yhteen akun kanssa. Ne on lueteltu kohdassa TEKNISET TIEDOT. Emme suosittele reppuakun käyttöä muiden sähkötyökalujen kanssa.

HUOLTO

VAROITUS: Reppuakku on korjautettava tai vaihdettava EGO-huoltoliikkeessä ja valtuutettujen asentajien toimesta.

VAROITUS: Irrota vakavien henkilövahinkojen välttämiseksi akkuyksikkö aina työkalusta, kun vaihdat lisävarusteita tai puhdistat sitä tai suoritat siihen jonkin huoltotoimenpiteen.

FI

VAROITUS: Käytä huollon yhteydessä vain valmistajan hyväksymiä varaosia. Kaikkien muiden osien käyttö voi aiheuttaa vaaran tai vahingoittaa tuotetta.

VAROITUS: Jos kompressoidulla ilmalla puhdistaminen on ainoa vaihtoehto, käytä aina suojalaseja, joissa on sivusuojat. Jos työ on myös tomuista, käytä lisäksi hengityssuojaista.

PERUSHUOLTO

Vältä liuottimien käyttöä, kun puhdistat muoviosia. Useimmat muoviosat ovat herkkiä erilaisten kaupallisten liuottimien vaikutukselle, ja niiden käyttö voi aiheuttaa muoviosiin vaurioita. Käytä puhtaita liinoja esim. lian, pölyn, öljyn ja rasvan poistamiseen

VAROITUS: Älä milloinkaan päästä esim. jarrunesteitä, bensiiniä, petrolipohjaisia tuotteita tai ruosteenirrotusöljyjä kosketuksiin muoviosien kanssa. Kemikaalit voivat vahingoittaa, heikentää tai tuhota muovia, mistä voi olla seurauksena vakava henkilövahinko

AKUT

Älä pura akkua tai yritä vaihtaa kennoja. Akkujen käsittely etenkin, jos käytät sormuksia tai koruja, saattaa aiheuttaa vakavia palovammoja. Lue ja ymmärrä käyttöopas, niin akun käyttöikä pysyy mahdollisimman pitkänä.

VAROITUS: On hyvän tavan mukaista irrottaa laturi pistorasiasista ja poistaa akku, kun niitä ei käytetä.

AKKUYKSIKÖN IRROTUS JA VALMISTELU KIERRÄTYSTÄ VARTEN



Li-ion

Älä hävitä akkulaturia tai akkua/ladattavia paristoja kotitalousjätteen seassa! EU:n lain 2012/19/EU mukaan elektroniset ja sähkölaitteet, joita ei voida enää käyttää, ja käytetyt akut/paristot on kerättävä erikseen ja hävitettävä ympäristöystävällisellä tavalla.

Kysy paikalliselta jäteviranomaiselta tietoja käytettävissä olevista kierrätys- ja/tai hävitysvalintoehdoista.

VAROITUS: Kun poistat akun hävitystä tai kierrätystä varten, teippaa akun navat tukevalla teipillä umpeen. Älä yritä tuhota tai purkaa akkua tai poistaa mitään sen komponentteja. Litium-ioniakut tulee kierrättää tai hävittää oikeaoppisesti. Älä myöskään ikinä koske napoihin metalliesineillä ja/tai kehon osilla, koska se saattaa aiheuttaa oikosulun. Pidä poissa lasten ulottuvilta. Näiden ohjeiden noudattamatta jättäminen voi aiheuttaa tulipalon ja/tai vakavan vamman.

ONGELMANRATKAISU

ONGELMA	SYY	RATKAISU
Sähkötyökalu ei toimi	<ul style="list-style-type: none">■ Sähkötyökalun ja akun välillä ei ole sähkökontaktia.■ Akku on tyhjä.■ Akku tai sähkötyökalu on ylikuumentunut.■ Johto tai pistoke ei toimi.■ Akkukennon jännite on alle 2,7 V.	<ul style="list-style-type: none">■ Kiinnitä akku sähkötyökaluun.■ Lataa akku.■ Jäähdytä akkua tai sähkötyökalua, kunnes lämpötila laskee normaaliin arvoon.■ Ota yhteys EGO-huoltoliikkeeseen.■ Lataa akku välittömästi.
Akkua ei saa ladattua	<ul style="list-style-type: none">■ Akun lämpötila ylittää määritetyn arvon tai alittaa sen.■ Akun ja laturin välillä ei ole sähkökontaktia.■ Laturin ja virtalähteen välisessä liitännässä on vikaa.	<ul style="list-style-type: none">■ Pysäytä lataus tai pura varausta, kunnes lämpötila on normaali.■ Yhdistä akku takaisin laturiin.■ Yhdistä laturin pistoke virtalähteeseen.

FI

TAKUU

EGO-TAKUUKÄYTÄNTÖ

Katso verkkosivuilta osoitteesta egopowerplus.com EGO-takuukäytännön ehdot ja edellytykset kokonaisuudessaan

LES BRUKSANVISNINGEN(BATTERI)



LES GJENNOM ALLE INSTRUKSJONENE!

⚠ Restrisiko! Personer med elektroniske enheter, for eksempel pacemakere, må rådføre seg med lege før de bruker dette produktet. Drift av elektrisk utstyr i umiddelbar nærhet av en pacemaker kan føre til at pacemakeren forstyrres eller svikter.

⚠ ADVARSEL: For å ivareta sikkerheten og påliteligheten må alle reparasjoner og utskiftinger utføres av en kvalifisert servicetekniker.

SIKKERHETSSYMBOLER

Formålet med sikkerhetssymbolene er å trekke oppmerksomheten din mot mulige faresituasjoner. Sikkerhetssymbolene og forklaringene krever din fulle oppmerksomhet og forståelse. Symbolvarslene eliminerer ikke farer på egen hånd. Instruksjonene og advarslene som finnes i dem er ikke erstatninger for passende ulykkesforebyggende tiltak.

⚠ ADVARSEL: Sørg for å lese og forstå alle sikkerhetsanvisningene i denne bruksanvisningen, inkludert alle sikkerhetsvarselssymboler så som «FARE», «ADVARSEL» og «FORSIKTIG» før du bruker dette verktøyet. Hvis du ikke følger alle instruksjonene nedenfor, kan det føre til elektriske støt, brann og/eller alvorlig personskade.

⚠ ADVARSEL: Risiko for brann og forbrenningsskader. Produktet må ikke demonteres, varmes opp til over 100 °C eller brennes. Oppbevar batteripakken utilgjengelig for barn og i originalemballasjen, til den skal brukes. Kasser brukte batteripakker omgående i samsvar med lokale bestemmelser om gjenvinning eller avfallsbehandling.

SIKKERHETSINSTRUKSJONER

Denne siden viser og beskriver sikkerhetssymboler som finnes på produktet. Les, forstå og følg alle instruksjoner på maskinen før begynner montering og bruk.

	Sikkerhetsadvarsel-	Angir en fare for mulig personskade.
	Les bruksanvisningen	For å redusere risikoen for skader, må brukeren lese og forstå bruksanvisningen før produktet brukes.
	Resirkuleringssymboler	Ikke kast batteripakker/ batterier i husholdningsavfall, ild eller vann. Batteripakker/ batterier skal samles inn, resirkuleres eller avhendes på en miljøvennlig måte.
	CE	Dette produktet er i samsvar med gjeldende EF-direktiver.
	Elektrisk og elektronisk avfall	Elektrisk avfall må ikke kastes sammen med husholdningsavfall. Innlever det ved en godkjent gjenvinningsstasjon.
V	Volt	Spenning
A	Ampere	Strøm
W	Watt	Effekt
min	Minutter	Klokkeslett
	Likestrøm	Type eller karakteristikk for spenningen

⚠ ADVARSEL: Sørg for å lese og forstå alle instruksjonene. Hvis du ikke følger alle instruksjonene, kan det føre til elektriske støt, brann og/eller alvorlig personskade. Betegnelsen «elektroverktøy» viser i de fleste av advarslene i denne håndboken til EGO Power-enheten + batteridrevne (ledningsløse) plen- og hagemaskiner.

SIKKERHET I ARBEIDSRÅDET

- Hold arbeidsområdet rent og godt opplyst. Rotete eller mørke områder inviterer til ulykker.
- Ikke bruk maskinen i eksplosjonsfarlige omgivelser, for eksempel der det finnes brennbare væsker, gasser eller støv i nærheten. Elektroverktøy lager gnister som kan antenne støv eller damper.

ELEKTRISK SIKKERHET

- Ikke utsett elektroverktøy for regn eller våte forhold. Kommer det vann inn i et elektroverktøy, øker risikoen for elektriske støt.
- Produktet må bare brukes sammen med ladere og elektroverktøy som er nevnt i «SPESIFIKASJONER».

BRUK OG STELL AV BATTERIPAKKEN

- Når batteriet ikke er i bruk, skal det holdes unna andre metallgjenstander så som binders, mynter, nøkler, spikere, skruer eller andre små metallgjenstander som kan lage forbindelse fra én terminal til en annen. Kortslutning av batteripolene kan forårsake brannskader eller brann.
- Under skadelige forhold, kan væske kastes ut fra batteriet. Unngå kontakt. Hvis kontakt oppstår ved uhell, skyl med vann. Hvis man får væske i øynene, skal det i tillegg søkes medisinsk hjelp. Væske som blir kastet ut av batteriet kan forårsake irritasjon eller brannskader.
- Ikke demonter, åpne eller skjær i stykker oppladbare batterier.
- Ikke eksponer batteriet for varmekilder eller flammer. Unngå lagring i direkte sollys.
- Ikke kortslett en celle eller et batteri. Ikke oppbevar celler eller batterier på måfå i en boks eller skuff, der de kan kortslutte hverandre eller kortsluttes av andre metallgjenstander.
- Ikke ta ut et batteri fra originalemballasjen før det skal brukes.
- Ikke utsett celler eller batterier for mekaniske støt.
- Oppbevar batteriet utilgjengelig for barn. Oppsøk lege umiddelbart hvis et batteri er blitt svelget.
- Hold batteriet rent og tørt.
- Tørk av batteripolene med en ren og tørr klut hvis de blir skitne.
- Oppladbare batterier må lades før bruk. Bruk alltid riktig lader, og se produsentens instruksjoner eller utstyrshåndboken for riktige ladeinstruksjoner.
- Ikke la et batteri stå lenge på lading når det ikke er i bruk.

- Etter lengre tids lagring kan det være nødvendig å lade opp og lade ut batteriene flere ganger for å oppnå maksimal ytelse.
- Behold den opprinnelige produktlitteraturen for fremtidig referanse.
- Batteriet må bare brukes til sitt tiltenkte formål.
- Når det er mulig, tas ut batteriet ut av utstyret når det ikke er i bruk.
- Avhendes riktig.

SERVICE

- Følg instruksjonene om vedlikehold som finnes i denne håndboken. Bruk av uautoriserte deler eller unnlattelse av å følge vedlikeholdsinstruksjonene kan skape fare for støt eller skade.

SPESIFIKKE SIKKERHETSREGLER

- Kjenn elektroverktøyet ditt. Les bruksanvisningen nøye. Lær deg bruksområdene og begrensningene, samt de spesifikke potensielle farene som er knyttet til verktøyet. Hvis man følger denne regelen, vil det redusere faren for elektrisk støt, brann eller alvorlig skade.
- Batteriverktøy trenger ikke å være koblet til et strømuttak; derfor er de alltid klare til bruk. Vær oppmerksom på mulige farer når du ikke bruker batteriverktøyet ditt. Ta alltid ut batteriet før du skifter tilbehør. Hvis man følger denne regelen, vil det redusere faren for elektrisk støt, brann eller personskaade.
- Batteripakken må ikke klemmes, slippes i bakken eller skades på annen måte. Ikke bruk en batteripakke eller lader som har falt i bakken eller blitt utsatt for et kraftig støt. Et skadd batteri kan eksplodere. Kasser batterier som er skadd eller har falt i bakken, umiddelbart på en forsvarlig måte.
- Ikke lad batteriet på et fuktig eller vått sted. Hvis man følger denne regelen, vil det redusere faren for elektrisk støt.
- For best resultat, bør batteriet lades på et sted der temperaturen er høyere enn 0 °C og under 40 °C. Skal ikke oppbevares utendørs eller i kjøretøy.
- Ikke la bensin, oljer, oljebaserte produkter, etc. kommer i kontakt med plastdeler. Disse stoffene inneholder kjemikalier som kan skade, svekke eller ødelegge plast.
- Få batteripakken din reparert av en kvalifisert servicerepresentant, kun med bruk av originale reservedeler. Dette gjør at sikkerheten til batteripakken opprettholdes.

NO

- Ta vare på disse instruksjonene. Referer til dem ofte, og bruk dem til å instruere andre som kan komme til å bruke verktøyet. Hvis du låner ut dette verktøyet til noen andre, må de også få låne disse instruksjonene, for å hindre feilbruk av produktet og mulige skader.

SPESIFIKASJONER

Nominell spenning	56 V
Maks. kapasitet	1568Wh
Støttet lader	CHX5500E
Ladestrom	Hurtiglading: 8A Normal lading: 4A
Ladetid	Hurtiglading: Ca. 3,5t Normal lading: Ca. 7t
Støttede elektroverktøy	LBX6000, HTX6500, BCX3800
Vekt	8,7kg
Spesifisert temperaturområde for utlading	-20 C ~40 C

NO

BESKRIVELSE

GJØR DEG KJENT MED BATTERIPAKKEN (fig. A)

1. Kabel
2. Håndtak
3. USB-port

4. USB/DC-bryter
5. 12V DC-port
6. Strømindikator og bryterknapp
7. Festefjær til skulderrem
8. Festefjær til belte
9. Sikringsdeksel
10. Skulderrem
11. Ramme
12. Nett
13. Belte
14. Sele (selges separat)
15. Hofteputetilbehør (selges separat)

BRUK

STRØMINDIKATOR PÅ BATTERIPAKKEN (fig. B)

Dette litium-ion-ryggsekkbatteriet er utstyrt med en strømindikator som viser ladekapasitetsnivået og eventuelle feil på batteripakken. Trykk på strømindikatoren for å se kapasitetsnivået når batteriet ikke er under lading. LED-indikatoren vil lyse i 10 sekunder.

- Under lading kan LED-indikatoren vise forskjellige grensesnitt listet opp under, uten at bryterknappen trykkes inn.

Batterikapasitet/feil	LADING					Merknader
	LED-lys					
	1	2	3	4	5	
< 20 %	Blinker grønt	Av	Av	Av	Av	1 blinker
20 % ≤ Kapasitet < 40 %	På	Blinker grønt	Av	Av	Av	1 på, 1 blinker
40 % ≤ Kapasitet < 60 %	På	På	Blinker grønt	Av	Av	2 på, 1 blinker
60 % ≤ Kapasitet < 80 %	På	På	På	Blinker grønt	Av	3 på, 1 blinker
80 % ≤ Kapasitet < 100 %	På	På	På	På	Blinker grønt	4 på, 1 blinker
Kapasitet = 100 % (fulladet)	På	På	På	På	På	5 på i flere minutter og slukkes deretter
Batteriet kan ikke lades	Av	Av	Av	Av	Av	Alle de 5 LED-lysene vil være slukket
Batteriet er overopphetet	Av	Av	Av	Av	Av	Alle de 5 LED-lysene vil være slukket

Når ryggsekkbatteriet lades ut eller ikke er i bruk og du **TRYKKER PÅ BRYTERKNAPPEN**, vil LED-indikatoren ha et grensesnitt som er forskjellig fra det som gjelder under lading, som vist under.

UTLADING / INGEN BRUK						
Batterikapasitet/feil	LED-lys					Merknader
	1	2	3	4	5	
80 % < Kapasitet ≤ 100 %	På	På	På	På	På	5 LED-lys på i 10 sekunder etter at knappen er trykket inn
60 % < Kapasitet ≤ 80 %	På	På	På	På	Av	4 LED-lys på i 10 sekunder etter at knappen er trykket inn
40 % < Kapasitet ≤ 60 %	På	På	På	Av	Av	3 LED-lys på i 10 sekunder etter at knappen er trykket inn
20 % < Kapasitet ≤ 40 %	På	På	Av	Av	Av	2 LED-lys på i 10 sekunder etter at knappen er trykket inn
10 % < Kapasitet ≤ 20 %	På	Av	Av	Av	Av	1 LED-lys på i 10 sekunder etter at knappen er trykket inn
≤ 10 %	Blinker grønt	Av	Av	Av	Av	1 LED-lys blinker i 10 sekunder etter at knappen er trykket inn
Underspenning (< 2,7 V)	Blinker rødt	Blinker rødt	Blinker rødt	Blinker rødt	Blinker rødt	5 røde lys blinker i 10 sekunder etter at knappen er trykket inn
Batteriet er overopphetet	Lyser rødt	Lyser rødt	Lyser rødt	Lyser rødt	Lyser rødt	5 røde lys på i 10 sekunder etter at knappen er trykket inn

NO

BATTERIBESKYTTELSE

Batterikretsene beskytter batteripakken mot ekstreme temperaturer, overutlading og overlading. For å beskytte batteriet mot skader og forlenge levetiden vil batteripakkens kretser slå batteripakken av hvis den blir overbelastet eller hvis temperaturen blir for høy eller lav under bruk. Dette kan skje i situasjoner med ekstremt høyt dreiemoment, opphenging eller blokkering.

- I forbindelse med lading vil batteripakken og alle de 5 LED-lysene slås av når temperaturen kommer over 60 °C eller under 0 °C. Hvis temperaturen går tilbake til normalområdet igjen i løpet av 90 minutter, vil batteriet automatisk begynne å fungere igjen. Hvis ikke vil batteriet slå seg av. Lading kan reaktiveres ved at støpelet plugges inn i laderen igjen.
- Batteripakken og alle de 5 LED-lysene vil også slå seg av når spenningen i en battericelle overstiger den maksimale spenningen. Det anbefales da at du lader ut batteripakken umiddelbart. Hvis dette skjer gjentatte ganger, må du kontakte et EGO-servicenter.
- I forbindelse med utlading vil batteripakken slås av når temperaturen i batteripakken kommer over 70°C eller under -20°C. Alle de 5 LED-lysene vil da lyse rødt i 10 sekunder etter at knappen er trykket inn. Batteriet vil i begge tilfeller begynne å fungere igjen automatisk når normale temperaturforhold nås, slik at verktøyet kan startes opp igjen.
- Når spenningen i en battericelle faller under 2,7 V, vil batteripakken slås av og 5 LED-lys blinke rødt i 10 sekunder etter at knappen er trykket inn. Det anbefales da at du avbryter arbeidet og lader batteripakken umiddelbart. Hvis dette skjer gjentatte ganger, må du kontakte en servicetekniker for å få hjelp.

⚠ ADVARSEL: Du må ikke under noen omstendigheter varme opp batteripakken.

LADING AV BATTERIPAKKEN

Batteripakken leveres delvis ladet. Batteriet bør lades før første gangs bruk.

⚠ ADVARSEL: Ikke lad batteripakken utendørs eller utsett den for våte eller fuktige forhold. Vann som trenger inn i laderen eller batteripakken, vil øke risikoen for elektrisk støt. For nærmere opplysninger, se brukerhåndboken for EGO CHX5500E-laderen.

1. Koble laderen til strømforsyningen (220–240 V~50 Hz).
2. Plugg batteristøpselet inn i laderen.
3. Hvis batteripakken er under normal lading, blinker LED1 på laderen grønt. Når den grønne knappen holdes inne i minst 1 sekund, vil ladingen gå over fra normal modus (ladestrøm 4A) til hurtig modus (ladestrøm 8A). LED2 på laderen blinker da grønt, mens LED1 slukkes.
4. Når de 5 LED-lysene på batteripakken lyser grønt kontinuerlig, betyr det at batteripakken er fulladet. Vent til kjøleviften i laderen stopper, ta ut batteripakken fra laderen, og koble laderen fra strømforsyningen.

MERK:

- Batteripakken vil lades helt opp hvis du lar den stå i laderen, men den vil ikke overlades.
- For nærmere opplysninger, se instruksjonene i brukerhåndboken for EGO CHX5500E-laderen.
- En betydelig redusert brukstid etter full lading av batteripakken tyder på at batteriene er nær slutten av den brukbare levetiden og må byttes ut.
- Hvis du ikke har satt støpselet helt inn på plass, vil LED-lyset på laderen blinke kontinuerlig.
- Laderen kan bli varm under lading. Dette er helt normalt. Bruk laderen i et godt ventilert område.

USB/12V DC

Ta av gummidekslene og sett USB/DC-kontaktene inn i USB/DC-portene (fig. C og D). Trykk deretter på USB/DC-bryterknappen. Batteripakken vil da levere strøm til enhetene som er koblet til batteripakken via USB- eller DC-porten.

C-1	Gummideksler	D-2	12V DC-port
D-1	USB-port	D-3	USB/DC-bryter

MERK:

- USB- og 12V DC-funksjonene kan brukes samtidig med en strømkilde på 56 V. Trekk ut USB/DC-kontaktene og sett gummidekslene tilbake på plass når du er ferdig med å bruke USB / 12V DC-funksjonene.
- Du bør ikke bruke USB / 12V DC-funksjonene mens batteripakken er under lading.

KOBLE SELEN TIL OG FRA BATTERIPAKKEN

For å koble til:

Posisjoner de fire utstikkende delene på rammen mot festesporene, og fest ribben på beltet med festefjæren. Skyv deretter selen oppover til du hører et klikk. (fig. E).

E-1	Festespor	E-3	Ribbe på beltet
E-2	Ribbe på rammen		

For å koble fra:

Trykk inn de to utløserknappene på selen bak rammen, og skyv selen ut (fig. F).

SETT PÅ BATTERIPAKKEN

Ved normal bruk bæres batteripakken med sele på ryggen. For å gjøre det lettere og mer komfortabelt å arbeide er selen utstyrt med en beltespenne og skulderremspenner som sikrer fri bevegelighet.

Lengden på beltet og skulderremmen kan justeres etter eget ønske. Den bakre puten skal sitte godt og stramt mot ryggen.

- Juster belte- og skulderremlengden til kroppsstørrelsen din ved bruk av beltespennen og skulderremspennene, slik at utstyret er komfortabelt å ha på.
- Stikk deretter belte- og brystspennens to deler inn i hverandre til du hører et klikk (fig. G og H).
- Juster høyden på brystspennen slik at den sitter komfortabelt (fig. I).
- Rejuster lengden på belte- og brystremmen.
- Stikk overskytende belte- og/eller remlengder inn gjennom gummistrikkene (fig. J).

FESTE OG TA AV BATTERIPAKKEN

Lad batteriet før første gangs bruk

Før batteripakkekabelen rundt siden av kroppen din, og koble elektroverktøyet til den 1,5 m lange kabelen. For nærmere instruksjoner, se brukerhåndboken til elektroverktøyet.

Tilkobling (fig. K)

Posisjoner ▲-symbolet på støpselet og elektroverktøyet mot hverandre, og plugg støpselet inn i elektroverktøyet til den grønne pakningen har forsvunnet helt inn i kontakten.

Frakobling

Trekk støpselet ut av elektroverktøyet.

NO

⚠ ADVARSEL: Hvis en nødsituasjon oppstår, må du ta batteripakken av skuldrene dine umiddelbart. En rask måte å gjøre dette på, er å åpne belte- og brystspennen og fjerne selen fra skulderen på hver av sidene.

⚠ ADVARSEL: Skulderremmen må ikke strammes for hardt til, da dette kan gjøre det vanskelig å ta av batteripakken.

⚠ ADVARSEL: Batteripakken er bare egnet for bruk sammen med bestemte EGO-produkter som er listet opp under «SPESIFIKASJONER». Du bør ikke bruke batteripakken sammen med andre elektroverktøy.

VEDLIKEHOLD

⚠ ADVARSEL: Batteripakken må repareres eller skiftes ut av teknikere ved et godkjent EGO-servicesenter.

⚠ ADVARSEL: For å unngå alvorlige personskader, skal batteripakken alltid tas ut fra verktøyet når du bytter tilbehør, rengjør eller utfører vedlikehold.

⚠ ADVARSEL: Ved service, må du bare bruke identiske reservedeler fra EGO. Bruk av andre deler kan forårsake farer eller skader på produktet.

⚠ ADVARSEL: Hvis rengjøring med trykkluft er den eneste metoden som kan brukes, må du alltid ha på øyvern eller vernebriller med sidebeskyttelse. Hvis arbeidet genererer mye støv, må du også bruke en støvmaske.

GENERELT VEDLIKEHOLD

Unngå å bruke løsemidler når plastdeler skal rengjøres. De fleste plasttyper er utsatt for skader fra ulike typer kommersielle løsemidler, og kan ta skade av bruk av slike. Bruk rene kluter for å fjerne skitt, støv, olje, fett, osv.

⚠ ADVARSEL: Ikke på noe tidspunkt skal bremsevæske, bensin, petroleum-baserte produkter, penetrerende oljer, osv. komme i kontakt med plastdeler. Kjemikalier kan skade, svekke eller ødelegge plastmaterialer, noe som kan føre til alvorlig personskade.

BATTERIER

Ikke demonter batteripakken eller forsøk å skifte ut cellene. Håndtering av batteriene kan resultere i alvorlig brannskade, særlig hvis du bruker ringer og smykker. For å få lengst mulig batterilevetid må du sørge for å lese og forstå innholdet i brukerhåndboken.

⚠ ADVARSEL: Det er god praksis å koble fra laderen og fjerne batteripakken når de ikke er i bruk.

FJERNING AV BATTERIPAKKEN OG FORBEREDELSE FOR GJENVINNING



Li-ion

Ikke kast batteriladeren eller batterier / oppladbare batterier i husholdningsavfallet! Ifølge direktiv 2012/19/EU og direktiv 2006/66/EF skal elektrisk og elektronisk utstyr som ikke lenger er brukbart, samt defekte eller brukte batteripakker/batterier samles inn separat og deponeres på en miljømessig korrekt måte.

Ta kontakt med det lokale renholdsverket ditt for å få informasjon om tilgjengelige resirkulerings- og/eller deponeringsløsninger.

⚠ ADVARSEL: Ved fjerning av batteripakken med tanke på kassering eller resirkulering må batteripakkens poler dekkes til med tykk tape. Ikke forsøk å ødelegge eller demontere batteripakken eller fjerne noen av komponentene i den. Litium-ion-batterier må resirkuleres eller deponeres på riktig måte. Polene må aldri komme i kontakt med metallgjenstander og/eller kroppsdeler, da dette kan føre til kortslutning. Hold utstyret tilgjengelig for barn. Hvis du ikke følger disse advarelsene, kan det føre til brann og/eller alvorlig personskade.

NO



FEILSØKING

PROBLEM	ÅRSAK	LØSNING
Elektroverktøyet fungerer ikke	<ul style="list-style-type: none">■ Ingen elektrisk kontakt mellom elektroverktøyet og batteriet.■ Batteripakken er utladet.■ Batteripakken eller verktøyet er overopphetet.■ Kabelen eller støpselet er skadet.■ Spenningen i en battericelle er lavere enn 2,7 V.	<ul style="list-style-type: none">■ Koble batteripakken til elektroverktøyet.■ Lad opp batteripakken.■ La batteripakken eller elektroverktøyet kjøle seg ned til normal temperatur.■ Kontakt et EGO-servicesenter.■ Lad opp batteripakken umiddelbart.
Batteripakken kan ikke lades opp	<ul style="list-style-type: none">■ Batteritemperaturen er over eller under det spesifiserte temperaturområdet.■ Ingen elektrisk kontakt mellom batteriet og laderen.■ Feil med koblingen mellom strømuttaket og laderen.	<ul style="list-style-type: none">■ Avbryt ladingen eller utladingen til temperaturen er blitt normal igjen.■ Sett batteripakken inn i laderen igjen.■ Stikk laderens støpsel inn i strømuttaket igjen.

NO

GARANTI

EGO GARANTIREGLER

Besøk nettsiden egopowerplus.com for å se fullstendige vilkår og betingelser for EGO-garantireglene.

ПРОЧИТАЙТЕ ВСЕ ИНСТРУКЦИИ! (АККУМУЛЯТОР)



ПРОЧИТАЙТЕ ВСЕ ИНСТРУКЦИИ!

⚠ Остаточные риски! Если вы используете электронные устройства, такие как кардиостимулятор, перед эксплуатацией данного устройства проконсультируйтесь с врачом. Использование электрооборудования в непосредственной близости от кардиостимулятора может привести к образованию помех и повреждению кардиостимулятора.

⚠ ПРЕДУПРЕЖДЕНИЕ. Чтобы обеспечить безопасность и надежность устройства, его ремонт и замену частей должен выполнять квалифицированный специалист.

СИМВОЛЫ БЕЗОПАСНОСТИ

Символы безопасности предназначены для привлечения внимания к возможным рискам. Символы безопасности, а также объяснения к ним, требуют особого внимания и понимания. Предупреждения по технике безопасности сами по себе не устраняют опасность. Инструкции и предупреждения не заменяют соответствующие меры по предотвращению несчастных случаев.

⚠ ПРЕДУПРЕЖДЕНИЕ. Перед использованием устройства внимательно прочитайте все инструкции в данном руководстве пользователя и ознакомьтесь с предупреждающими символами безопасности, такими как «ОПАСНОСТЬ», «ПРЕДУПРЕЖДЕНИЕ» и «ВНИМАНИЕ». Несоблюдение всех приведенных ниже инструкций может привести к поражению электрическим током, возникновению пожара и/или получению серьезных травм.

⚠ ПРЕДУПРЕЖДЕНИЕ. Риск возникновения пожара и ожогов. Запрещается разбирать, нагревать выше 100 °C или сжигать. Когда аккумулятор не используется, храните его в упаковке в недоступном для детей месте. Немедленно утилизируйте использованный аккумулятор согласно местным правилам по утилизации отходов.

ИНСТРУКЦИИ ПО ТЕХНИКЕ БЕЗОПАСНОСТИ

Далее изображены и описаны символы безопасности, которые могут присутствовать на данном устройстве. Перед сборкой или использованием внимательно прочитайте все инструкции, приведенные на устройстве, и соблюдайте их.

	Предупреждение об опасности	Указывает на потенциальную опасность получения травмы.
	Внимательно прочитайте руководство пользователя.	Чтобы уменьшить риск получения травм, перед использованием устройства необходимо прочитать и понять руководство по эксплуатации.
	Символы переработки	Не выбрасывайте батареи и аккумуляторы вместе с бытовым мусором, не бросайте их в огонь или в воду. Батареи и аккумуляторы необходимо собирать, перерабатывать или утилизировать безопасным для окружающей среды способом.
	CE	Соответствует основным требованиям стандартов безопасности Европейских директив.

RU

	WEEE (утилизация электрического и электронного оборудования)	Неисправные электрические устройства нельзя выбрасывать вместе с бытовым мусором. Сдавайте их в авторизованные пункты сбора и утилизации.
V	Вольт	Напряжение
A	Амперы	Сила тока
W	Ватт	Мощность
min	Минуты	Время
	Постоянный ток	Тип или характеристика тока

⚠ ПРЕДУПРЕЖДЕНИЕ. Внимательно прочитайте все инструкции. Несоблюдение инструкций может привести к поражению электрическим током, возникновению пожара и (или) получению серьезных травм. Термин «электроинструмент» в большинстве приведенных предупреждений означает работающие от аккумуляторов (беспроводные) садово-огородные устройства EGO Power+.

RU

БЕЗОПАСНОСТЬ РАБОЧЕГО МЕСТА

- **Обеспечьте чистоту и освещенность рабочей зоны.** Загроможденные и плохо освещенные места служат причиной несчастных случаев.
- **Не используйте электроинструменты во взрывоопасных средах, например вблизи горючих жидкостей, газов или пыли.** Электроинструменты генерируют искры, которые могут воспламенить пыль или испарения.

ЭЛЕКТРОБЕЗОПАСНОСТЬ

- **Не подвергайте электроинструменты воздействию дождя или влаги.** При попадании воды в электроинструмент увеличивается риск поражения электрическим током.
- **Используйте только зарядные устройства и электроинструменты, перечисленные в разделе «ТЕХНИЧЕСКИЕ ХАРАКТЕРИСТИКИ».**

ЭКСПЛУАТАЦИЯ И ОБСЛУЖИВАНИЕ РАНЦЕВОГО АККУМУЛЯТОРА

- **Когда аккумулятор не используется, храните его отдельно от металлических предметов — канцелярских скрепок, монет, ключей, гвоздей, винтов и др. — они могут замкнуть контакты.** Короткое замыкание контактов аккумуляторной батареи может стать причиной ожогов или пожара.
- **При неблагоприятных обстоятельствах из батареи может потечь электролит; избегайте контакта с ним. При случайном контакте с кожей промойте пораженный участок проточной водой.** Если электролит попал в глаза, обратитесь к врачу. Электролит из батареи может вызвать раздражение и ожоги.
- **Не разбирайте, не открывайте и не вскрывайте аккумулятор.**
- **Не подвергайте аккумулятор воздействию огня или тепла.** Не храните в местах попадания прямых солнечных лучей.
- **Не допускайте короткого замыкания контактов аккумулятора.** Не допускайте беспорядочного хранения аккумуляторов в коробке или ящике, где может произойти короткое замыкание между несколькими аккумуляторами или между аккумулятором и другими металлическими предметами.
- **Не извлекайте аккумулятор из оригинальной упаковки, пока не потребуются его использовать.**
- **Не подвергайте аккумуляторы механическим ударам.**
- **Храните аккумулятор в недоступном для детей месте.** В случае проглатывания аккумулятора немедленно обратитесь к врачу.
- **Следите за тем, чтобы аккумулятор всегда был сухим и чистым.**
- **В случае загрязнения протрите клеммы аккумулятора чистой сухой тканью.**
- **Аккумулятор необходимо заряжать перед использованием.** Всегда используйте подходящее зарядное устройство и соблюдайте инструкции производителя оборудования или руководства по правильной зарядке.
- **Не оставляйте аккумуляторы в зарядном устройстве на длительное время, если они не используются.**
- **После длительного хранения необходимо несколько раз зарядить и разрядить аккумулятор для получения максимальной производительности.**

- Сохраните это руководство для дальнейшего использования.
- Используйте аккумулятор только по прямому назначению.
- При возможности извлекайте аккумулятор из устройства, если оно не используется.
- Утилизируйте надлежащим образом.

ОБСЛУЖИВАНИЕ

- Следуйте инструкциям в разделе о выполнении обслуживания в данном руководстве. Использование неподходящих деталей или несоблюдение инструкций по обслуживанию может привести к поражению током или получению травмы.

ОСОБЫЕ ПРАВИЛА БЕЗОПАСНОСТИ

- Изучите электроинструмент. Внимательно прочитайте руководство пользователя. Изучите область применения, ограничения и потенциальные риски, связанные с использованием инструмента. Соблюдение этого правила снизит риск поражения электрическим током, пожара или серьезных травм.
- Работая от аккумуляторов инструменты не требуется подключать к розетке электросети, поэтому они всегда готовы к использованию. Помните о возможности возникновения опасных ситуаций даже тогда, когда устройство с питанием от аккумулятора не используется. Всегда извлекайте аккумулятор перед заменой аксессуаров. Соблюдение этого правила снизит риск поражения электрическим током, пожара или серьезных травм.
- Не бейте, не роняйте и не повреждайте аккумулятор. Не используйте аккумулятор или зарядное устройство, если они падали или подвергались сильному удару. Поврежденный аккумулятор может взорваться. Немедленно утилизируйте упавший или поврежденный аккумулятор надлежащим образом.
- Не заряжайте аккумуляторы в условиях сырости или повышенной влажности. Соблюдение данного правила уменьшит риск поражения электрическим током.
- Для достижения наилучших результатов аккумулятор следует заряжать при температуре окружающей среды от 0 °C до 40 °C. Не храните его вне помещения или в транспортном средстве.
- Не допускайте попадания на пластиковые части бензина, продуктов на нефтяной основе и т. д. В них содержатся химические вещества, которые могут повредить, ослабить или разрушить пластик.

- Ремонт аккумулятора должен производиться квалифицированным специалистом с использованием только идентичных запасных частей. Это обеспечит безопасную работу аккумулятора.
- Сохраните данные инструкции. Регулярно просматривайте их и предоставляйте для ознакомления другим пользователям. Одалживая кому-либо инструмент, передайте также данные инструкции для предотвращения неправильного использования и возможных травм.

ТЕХНИЧЕСКИЕ ХАРАКТЕРИСТИКИ

Номинальное напряжение	56В
Максимальная емкость	1568Вт/ч
Подходящее зарядное устройство	CHX5500E
Зарядный ток	Быстрая зарядка: 8А Обычная зарядка: 4А
Время зарядки	Быстрая зарядка: приблизительно 3,5 часа Обычная зарядка: приблизительно 7 часов
Подходящие электроинструменты	LBX6000, НТХ6500, ВСХ3800
Масса	8,7кг
Диапазон температуры окружающей среды для зарядки	от-20 до 40°C

RU

ОПИСАНИЕ

ЧАСТИ АККУМУЛЯТОРА (Рис. А)

1. Кабель
2. Рукоятка
3. USB-порт
4. Переключатель USB/DC (USB/постоянный ток)
5. Разъем питания 12 В пост. тока
6. Индикатор и кнопка питания
7. Фиксатор наплечного ремня
8. Фиксатор поясного ремня
9. Крышка предохранителя
10. Наплечный ремень
11. Каркас
12. Сетка

13. Поясной ремень
14. Обвязка (продается отдельно)
15. Щиток на бедро (продается отдельно)

ИСПОЛЬЗОВАНИЕ

ИНДИКАТОР ПИТАНИЯ НА АККУМУЛЯТОРЕ (РИС. В)

Данный литий-ионный ранцевый аккумулятор оснащен индикатором питания, который отображает уровень заряда аккумулятора и ошибки в его работе. Нажмите индикатор питания для отображения уровня емкости (когда аккумулятор не заряжается). Светодиодный индикатор будет светиться в течение 10 секунд.

- В процессе зарядки индикаторы могут отображать различные режимы, перечисленные далее (без нажатия кнопки).

RU

ЗАРЯЖАЕТСЯ						
Емкость аккумулятора/ Ошибка	Индикаторы					Примечания
	1	2	3	4	5	
<20%	Мигает зеленым	Не светится	Не светится	Не светится	Не светится	1 мигает
20% ≤ емкость < 40%	Светится	Мигает зеленым	Не светится	Не светится	Не светится	1 светится, 1 мигает
40% ≤ емкость < 60%	Светится	Светится	Мигает зеленым	Не светится	Не светится	2 светятся, 1 мигает
60% ≤ емкость < 80%	Светится	Светится	Светится	Мигает зеленым	Не светится	3 светятся, 1 мигает
80% ≤ емкость < 100%	Светится	Светится	Светится	Светится	Мигает зеленым	4 светятся, 1 мигает
Емкость = 100% (полностью заряжен)	Светится	Светится	Светится	Светится	Светится	5 светятся несколько минут, затем гаснут
Аккумулятор не заряжается	Не светится	Не светится	Не светится	Не светится	Не светится	Все 5 индикаторов не светятся
Перегрев аккумулятора	Не светится	Не светится	Не светится	Не светится	Не светится	Все 5 индикаторов не светятся

Если ранцевый аккумулятор разряжается или не используется, **НАЖМИТЕ КНОПКУ**. Индикаторы будут отображать различные режимы, перечисленные далее.

РАЗРЯЖАЕТСЯ/НЕ ИСПОЛЬЗУЕТСЯ						
Емкость аккумулятора/ Ошибка	Индикатор					Примечания
	1	2	3	4	5	
80% < емкость ≤ 100%	Светится	Светится	Светится	Светится	Светится	5 индикаторов светятся в течение 10 секунд после нажатия кнопки
60% < емкость ≤ 80%	Светится	Светится	Светится	Светится	Не светится	4 индикатора светятся в течение 10 секунд после нажатия кнопки
40% < емкость ≤ 60%	Светится	Светится	Светится	Не светится	Не светится	3 индикатора светятся в течение 10 секунд после нажатия кнопки
20% < емкость ≤ 40%	Светится	Светится	Не светится	Не светится	Не светится	2 индикатора светятся в течение 10 секунд после нажатия кнопки
10% < емкость ≤ 20%	Светится	Не светится	Не светится	Не светится	Не светится	1 индикатор светится в течение 10 секунд после нажатия кнопки
≤ 10%	Мигает зеленым	Не светится	Не светится	Не светится	Не светится	1 индикатор мигает в течение 10 секунд после нажатия кнопки
Низкое напряжение (<2,7 В)	Мигает красным	Мигает красным	Мигает красным	Мигает красным	Мигает красным	5 индикаторов мигают красным в течение 10 секунд после нажатия кнопки
Перегрев аккумулятора	Светится красным	Светится красным	Светится красным	Светится красным	Светится красным	5 индикаторов светятся красным в течение 10 секунд после нажатия кнопки

ЗАЩИТА АККУМУЛЯТОРА

Электрическая схема аккумулятора защищает его от экстремальных температур, чрезмерной разрядки и чрезмерной зарядки. Чтобы защитить аккумулятор от повреждений и продлить срок его службы, электрическая схема отключает аккумулятор, если он перегружен или если температура становится слишком высокой или слишком низкой во время использования. Это может произойти при очень высоком крутящем моменте, зацеплении и опрокидывании.

- Если в процессе зарядки температура превысит 60 °C или опустится ниже 0 °C, аккумулятор отключится, при этом все 5 индикаторов погаснут. Если в течение 90 минут восстановится нормальная температура, аккумулятор автоматически включится. В противном случае для возобновления зарядки потребуется отключить аккумулятор от зарядного устройства и подключить снова.
- Если напряжение в ячейках аккумулятора превышает защитный порог, аккумулятор отключается, при этом все 5 индикаторов гаснут. Рекомендуется немедленно разрядить аккумулятор. Если такая ситуация многократно повторяется, обратитесь в сервисный центр EGO.
- Если в процессе разрядки температура аккумулятора превысит 70 °C или опустится ниже -20 °C, аккумулятор отключится, при этом 5 индикаторов будут светиться красным в течение 10 секунд после нажатия кнопки. После восстановления нормальной температуры аккумулятор снова можно будет использовать для питания электронного инструмента.
- Если напряжение в ячейках аккумулятора ниже 2,7 В, аккумулятор отключается. При этом 5 индикаторов мигают красным в течение 10 секунд после нажатия кнопки. Рекомендуется прекратить работу и немедленно зарядить аккумулятор. Если такая ситуация многократно повторяется, обратитесь к специалисту.

⚠ ПРЕДУПРЕЖДЕНИЕ. Ни при каких обстоятельствах не допускайте нагрева аккумулятора.

ЗАРЯДКА АККУМУЛЯТОРА

Аккумулятор поставляется частично заряженным. Перед первым использованием аккумулятора необходимо зарядить.

⚠ ПРЕДУПРЕЖДЕНИЕ. Не заряжайте аккумулятор на открытом воздухе, а также под дождем или в условиях повышенной влажности. При попадании воды в зарядное устройство или аккумулятор увеличивается риск поражения электрическим током. Дополнительные сведения см. в руководстве пользователя зарядного устройства EGO CHX5500E.

1. Подключите зарядное устройство к источнику питания (220–240 В~, 50 Гц).
2. Вставьте разъем аккумулятора в зарядное устройство.
3. Когда аккумулятор заряжается нормально, на зарядном устройстве мигает зеленый индикатор 1. Если нажать зеленую кнопку и удерживать ее 1 секунду и более, нормальный режим зарядки (ток зарядки 4А) изменяется на режим быстрой зарядки (ток зарядки 8А). При этом зеленый индикатор 2 на зарядном устройстве будет мигать, а индикатор 1 погаснет.
4. Если 5 индикаторов аккумулятора постоянно светятся зеленым, это означает, что аккумулятор полностью заряжен. Дождитесь остановки охлаждающего вентилятора зарядного устройства, извлеките аккумулятор из зарядного устройства и отключите зарядное устройство от электросети.

ПРИМЕЧАНИЕ.

- Если оставить аккумулятор в зарядном устройстве, он полностью зарядится, но перезаряда не будет.
- Дополнительные сведения см. в руководстве пользователя зарядного устройства EGO CHX5500E.
- Значительное сокращение времени работы аккумулятора после полной зарядки указывает на то, что срок его службы подходит к концу и его необходимо заменить.
- Если вилка вставлена в разъем не полностью, индикатор зарядного устройства будет постоянно мигать.
- Зарядное устройство может нагреваться во время зарядки. Это нормально. Заряжайте аккумулятор в хорошо проветриваемом помещении.

USB/12В пост. тока

Откройте резиновые крышки и вставьте разъемы USB/DC в порты USB/DC (Рис. С и D). Затем нажмите кнопку переключения USB/DC. Аккумулятор будет осуществлять питание устройств, подключенных с помощью портов USB или DC.

C-1	Резиновые крышки	D-2	Порт 12 В постоянного тока
D-1	USB-порт	D-3	Переключатель USB/DC (USB/ постоянный ток)

ПРИМЕЧАНИЕ.

- Порты USB и 12 В постоянного тока могут работать одновременно с источником питания 56 В. После использования портов USB/12 В DC извлеките разъемы USB/DC и установите на место резиновые крышки.
- Не используйте порты USB/12 В DC во время зарядки аккумулятора.

УСТАНОВКА И СНЯТИЕ ОБВЯЗКИ АККУМУЛЯТОРА

Установка

Выверните четыре выступающие части каркаса с монтажными пазами и соедините установочный выступ поясного ремня с фиксатором ремня. Затем сдвиньте обвязку вверх до щелчка. (Рис. Е).

E-1	Монтажный паз	E-3	Установочный выступ ремня
E-2	Установочный выступ каркаса		

Снятие

Нажмите две кнопки разблокировки на обвязке позади каркаса, сдвиньте обвязку и снимите (Рис. F).

НАДЕВАНИЕ РАНЦЕВОГО АККУМУЛЯТОРА

В нормальных условиях эксплуатации аккумулятор с обвязкой расположен на спине. Во избежание усталости и для обеспечения комфортной работы обвязка оборудована поясным и наплечными ремнями, что гарантирует свободу движений.

Длина наплечных и поясного ремней регулируется. Задняя подушка должна плотно и надежно прилегать к спине.

- Чтобы чувствовать себя комфортно во время работы, тщательно отрегулируйте поясной и наплечные ремни в соответствии с размерами тела.

- Соедините пряжки поясного и нагрудного ремней до щелчка (Рис. G и H).
- Отрегулируйте высоту расположения нагрудного ремня (Рис. I).
- Еще раз отрегулируйте длину поясного и нагрудного ремней.
- Слишком длинные концы поясного и нагрудного ремней вставьте в эластичные крепления (Рис. J).

УСТАНОВКА И ДЕМОНТАЖ АККУМУЛЯТОРА

Зарядка перед первым использованием

Положите кабель аккумулятора сбоку корпуса и подключите электроинструмент к соединительному кабелю длиной 1,5 м. Далее следуйте инструкциям в руководстве по эксплуатации электроинструмента.

Подключение (Рис. K)

Расположите вилку таким образом, чтобы символы ▲ на вилке и корпусе электроинструмента совпали. Вставьте вилку так, чтобы зеленое уплотнение полностью исчезло в разъеме.

Извлечение

Извлеките вилку из разъема электроинструмента.

▲ ПРЕДУПРЕЖДЕНИЕ. В случае возникновения опасной ситуации немедленно снимите аккумулятор с плеч. Чтобы быстро снять аккумулятор, расстегните пряжки поясного и нагрудного ремней и снимите обвязку с обеих сторон.

▲ ПРЕДУПРЕЖДЕНИЕ. Не затягивайте плечевые ремни слишком сильно, так как это может затруднить снятие аккумулятора.

▲ ПРЕДУПРЕЖДЕНИЕ. С аккумулятором совместимы только определенные устройства EGO, перечисленные в разделе «ТЕХНИЧЕСКИЕ ХАРАКТЕРИСТИКИ». Не рекомендуется использовать аккумулятор с другими электроинструментами.

ОБСЛУЖИВАНИЕ

▲ ПРЕДУПРЕЖДЕНИЕ. Ремонт или замена аккумулятора должны выполняться квалифицированными специалистами сервисного центра EGO.

▲ ПРЕДУПРЕЖДЕНИЕ. Во избежание травм всегда извлекайте аккумулятор из устройства перед заменой аксессуаров, чисткой или обслуживанием.

▲ ПРЕДУПРЕЖДЕНИЕ. При ремонте используйте только идентичные запасные части EGO. Использование других запасных частей может привести к травмам или повреждению устройства.

▲ ПРЕДУПРЕЖДЕНИЕ. Если очистку можно выполнить только при помощи сжатого воздуха, всегда используйте защиту для глаз или защитные очки с боковыми щитками. Если во время работы появляется пыль, надевайте респиратор.

ОБЩЕЕ ОБСЛУЖИВАНИЕ

Не используйте растворители для чистки пластмассовых деталей. Большинство пластиковых частей чувствительны к различным бытовым растворителям и могут быть повреждены. Для очистки от грязи, пыли, масла, смазки и т. п. используйте чистую ткань.

▲ ПРЕДУПРЕЖДЕНИЕ. Не допускайте попадания на пластиковые части тормозной жидкости, бензина, продуктов на нефтяной основе, пропитывающих масел и т. д. Химические вещества могут повредить, ослабить или разрушить пластик, что приведет к получению серьезных травм.

АККУМУЛЯТОРЫ

Не разбирайте аккумулятор и не пытайтесь заменить элементы. Неосторожное обращение с аккумулятором, особенно при наличии украшений на руках, может привести к серьезным ожогам. Чтобы максимально продлить срок службы аккумулятора, прочитайте и изучите инструкцию пользователя.

▲ ПРЕДУПРЕЖДЕНИЕ. Когда устройство не используется, рекомендуется отключать зарядное устройство и извлекать аккумулятор.

ИЗВЛЕЧЕНИЕ АККУМУЛЯТОРА И ПОДГОТОВКА К УТИЛИЗАЦИИ



Li-ion

Не выбрасывайте зарядные устройства, батарейки и аккумуляторы вместе с бытовыми отходами! В соответствии с европейским законом 2012/19/EU электрическое и электронное оборудование, которое не подлежит дальнейшей эксплуатации, а также непригодные и использованные батарейки и аккумуляторы (согласно европейскому закону 2006/66/EC) должны быть собраны отдельно и утилизированы экологически безопасным способом.

Для получения информации о возможности переработки и способах утилизации обратитесь в местную организацию по утилизации.

⚠ ПРЕДУПРЕЖДЕНИЕ. После извлечения аккумулятора для утилизации или вторичной переработки закройте его контакты сверхпрочной изоляционной лентой. Не пытайтесь уничтожить или разобрать аккумулятор и не извлекайте из него компоненты. Литий-ионные аккумуляторы необходимо утилизировать надлежащим образом. Не касайтесь одновременно обоих контактов аккумулятора металлическими предметами и/или частями тела, так как может произойти короткое замыкание. Храните в недоступном для детей месте. Несоблюдение данных правил может стать причиной возгорания и (или) получения серьезной травмы.

УСТРАНЕНИЕ НЕИСПРАВНОСТЕЙ

RU

ПРОБЛЕМА	ПРИЧИНА	РЕШЕНИЕ
Электроинструмент не работает	<ul style="list-style-type: none"> ■ Нет электрического контакта между электроинструментом и аккумулятором. ■ Аккумулятор разряжен. ■ Аккумулятор или электроинструмент перегрелся. ■ Неисправность кабеля или разъема. ■ Напряжение аккумулятора меньше 2,7 В. 	<ul style="list-style-type: none"> ■ Подключите к аккумулятору электроинструмент. ■ Зарядите аккумулятор. ■ Дайте аккумулятору и электроинструменту остыть, пока температура не опустится до нормальной. ■ Обратитесь в сервисный центр EGO. ■ Немедленно зарядите аккумулятор.
Не удается зарядить аккумулятор	<ul style="list-style-type: none"> ■ Температура аккумулятора вышла за пределы допустимого диапазона. ■ Нет электрического контакта между аккумулятором и зарядным устройством. ■ Зарядное устройство неправильно подключено к сети питания. 	<ul style="list-style-type: none"> ■ Прекратите зарядку или разрядку, пока температура не придет в норму. ■ Снова подключите аккумулятор к зарядному устройству. ■ Снова подключите зарядное устройство к сети питания.

ГАРАНТИЯ

ГАРАНТИЯ

Посетите веб-сайт egopowerplus.com, чтобы ознакомиться со всеми условиями и сроками гарантийной политики EGO.

PRZECZYTAJ INSTRUKCJĘ OPERATORA (AKUMULATOR)



PRZECZYTAJ WSZYSTKIE INSTRUKCJE!

⚠ Ryzyko szczątkowe! Osoby z urządzeniami elektronicznymi, takimi jak rozruszniki serca, powinny przed użyciem produktu skonsultować się ze swoim(i) lekarzem/-ami. Używanie urządzeń elektrycznych blisko rozrusznika serca może spowodować zakłócenia lub uszkodzić rozrusznik.

⚠ OSTRZEŻENIE: Aby zagwarantować bezpieczeństwo i niezawodność, wszystkie naprawy i wymiany części powinny być wykonywane przez wykwalifikowanych techników serwisu.

SYMBOLE BEZPIECZEŃSTWA

Celem symboli bezpieczeństwa jest zwrócenie uwagi użytkownika na możliwe zagrożenia. Symbole bezpieczeństwa i objaśnienia do nich zasługują na to, by je uważnie przestudiować i zrozumieć. Symbole bezpieczeństwa nie eliminują same z siebie jakichkolwiek zagrożeń. Podawane w nich instrukcje i ostrzeżenia nie zastępują odpowiednich środków zapobiegania wypadkom.

⚠ OSTRZEŻENIE: Przed użyciem narzędzia prosimy przeczytać i zrozumieć wszystkie instrukcje dotyczące bezpieczeństwa podane w podręczniku użytkownika, łącznie z wszystkimi symbolami ostrzegawczymi takimi jak „NIEBEZPIECZEŃSTWO”, „OSTRZEŻENIE” i „UWAGA”. Niestosowanie się do wszystkich podanych niżej instrukcji może doprowadzić do porażenia prądem, pożaru i/lub poważnych obrażeń.

⚠ OSTRZEŻENIE: Ryzyko pożaru i oparzeń. Nie rozmontowywać, nie nagrzewać powyżej 100°C, nie podpalać. Do momentu użycia akumulator należy przechowywać w oryginalnym opakowaniu w miejscu niedostępnym dla dzieci. Zużyty akumulator należy bezzwłocznie utylizować zgodnie z lokalnymi przepisami w sprawie recyklingu lub odpadów.

INSTRUKCJE DOTYCZĄCE BEZPIECZEŃSTWA

Na tej stronie pokazano i opisano symbole bezpieczeństwa, które mogą występować na produkcie. Przed podjęciem próby złożenia i użycia urządzenia należy przeczytać i zrozumieć wszystkie instrukcje dotyczące maszyny oraz zastosować się do nich.

	Ostrzeżenie dotyczące bezpieczeństwa	Wskazuje na potencjalne ryzyko urazów ciała.
	Przeczytaj instrukcję operatora	Aby zmniejszyć ryzyko urazów, użytkownik musi przeczytać i zrozumieć instrukcję przed rozpoczęciem korzystania z produktu.
	Symbole dotyczące recyklingu	Akumulatorów/ baterii nie należy wyrzucać do zwykłych zmieszanych odpadów domowych, ani wrzucać do wody lub ognia. Akumulatory/ baterie należy zbierać i poddawać recyklingowi lub utylizować w sposób przyjazny dla środowiska.
	CE	Ten produkt jest zgodny z obowiązującymi dyrektywami WE.
	WEEE	Zużytych wyrobów elektrycznych nie należy wyrzucać razem ze zwykłymi odpadami domowymi. Należy je oddać do autoryzowanego punktu recyklingu.
V	Wolt	Napięcie
A	Ampery	Prąd
W	Wat	Moc
min	Minuty	Czas
	Prąd stały	Rodzaj lub charakterystyka prądu

PL

⚠ OSTRZEŻENIE: Prosimy przeczytać ze zrozumieniem wszystkie instrukcje. Niestosowanie się do wszystkich instrukcji może doprowadzić do porażenia prądem, pożaru i/lub poważnych obrażeń. Termin „elektronarzędzie” występujący w większości podanych tu ostrzeżeń oznacza zasilane akumulatorowo (bezzprzewodowe) maszyny ogrodnicze EGO Power+ lub inne maszyny tej samej marki służące do pielęgnacji trawników.

BEZPIECZEŃSTWO W MIEJSCU PRACY

- Należy dbać o czystość i dobre oświetlenie w miejscu pracy. Bałagan i złe oświetlenie sprzyjają wypadkom.
- Nie należy używać elektronarzędzi w miejscach zagrożonych wybuchem, np. w obecności łatwopalnych cieczy, gazów lub pyłu. Elektronarzędzia wytwarzają iskry, które mogą zapalić opary lub pył.

BEZPIECZEŃSTWO ELEKTRYCZNE

- Elektronarzędzia należy chronić przed deszczem i wilgocią. Woda dostająca się do wnętrza elektronarzędzia zwiększa ryzyko porażenia prądem.
- Urządzenia należy używać tylko łącznie z ładowarkami i elektronarzędziami wymienionymi w części „SPECYFIKACJA”.

UŻYWANIE I KONSERWOWANIE AKUMULATORA

- Jeżeli akumulator nie jest używany, należy go przechowywać z dala od innych przedmiotów metalowych, np. spinaczy, monet, kluczy, gwoździ, śrub i innych drobnych przedmiotów metalowych, które mogłyby spowodować zwarcie wyprowadzeń akumulatora. Zwarcie wyprowadzeń akumulatora może doprowadzić do oparzenia lub pożaru.
- W niesprzyjających warunkach może dojść do wycieku cieczy z akumulatora. Należy wtedy unikać wszelkiego kontaktu z tą cieczą. W razie przypadkowego kontaktu ze skórą, zabrudzone miejsce należy obficie przemyć wodą. Jeżeli płyn dostanie się do oczu, należy dodatkowo zasięgnąć porady lekarza. Płyn wyciekający z akumulatora może powodować podrażnienie lub oparzenia.
- Akumulatora nie należy rozmontowywać, otwierać ani niszczyć.
- Akumulator należy chronić przed źródłami ciepła i ogniem. Należy unikać przechowywania w miejscu bezpośrednio nasłonecznionym.

- Nie należy zwierać przewodów baterii lub akumulatora. Baterii lub akumulatorów nie należy przechowywać byle jak w pudełku lub szufladzie, gdzie ich wyprowadzenia mogłyby się zewrzeć wskutek dotykania innych przedmiotów metalowych.
- Do momentu, aż będzie potrzebny w celu użycia akumulatora nie należy wyjmować z oryginalnego opakowania.
- Baterie i akumulatory należy chronić przed uderzeniami mechanicznymi.
- Akumulator należy przechowywać w miejscu niedostępnym dla dzieci. W przypadku połamania akumulatora należy natychmiast zasięgnąć porady lekarza.
- Należy dbać o to, aby akumulator był czysty i suchy.
- W przypadku zabrudzenia, wyprowadzenia akumulatora należy przecierać czystą suchą szmatką.
- Przed użyciem akumulator trzeba naładować. Należy zawsze używać właściwej ładowarki i przestrzegać instrukcji producenta / instrukcji do urządzenia dotyczących poprawnego ładowania.
- Gdy akumulator nie jest używany, nie należy go zostawiać podłączonego do ładowarki.
- Po długim okresie przechowywania, w celu uzyskania maksymalnej wydajności może być konieczne kilkakrotne naładowanie i rozładowanie akumulatora.
- Oryginalną dokumentację produktu należy zachować na przyszłość.
- Akumulatora należy używać wyłącznie do zastosowań, do których są on przeznaczony.
- Gdy tylko jest to możliwe, z nieużywanego urządzenia należy wyjmować akumulator.
- Wyrób należy w prawidłowy sposób zutylizować.

SERWISOWANIE

- Należy przestrzegać zaleceń podanych w części Konserwacja w niniejszej instrukcji. Używanie części, które nie zostały zatwierdzone przez producenta lub niestosowanie się do instrukcji dotyczących konserwacji stwarza ryzyko porażenia prądem lub urazów.

SPECJALNE ZASADY DOTYCZĄCE BEZPIECZEŃSTWA

- Prosimy zapoznać się z elektronarzędziem. Należy uważnie przeczytać instrukcję operatora. Należy zapoznać się z zastosowaniami i ograniczeniami oraz specjalnymi potencjalnymi zagrożeniami związanymi z narzędziem. Stosowanie tej zasady ograniczy ryzyko porażenia prądem, pożaru lub poważnych obrażeń.
- Narzędzia akumulatorowe nie wymagają podłączenia do kontaktu elektrycznego i dlatego są zawsze gotowe do pracy. Należy więc mieć świadomość możliwych zagrożeń, gdy narzędzie akumulatorowe nie jest używane. Przed wymianą akcesoriów należy zawsze wyjmować akumulator. Stosowanie tej zasady ograniczy ryzyko porażenia prądem, pożaru lub poważnych urazów ciała.
- Akumulatora nie należy zgniatać, upuszczać ani niszczyć. Nie używać akumulatora lub ładowarki, które zostały upuszczone na ziemię lub mocno uderzone. Uszkodzony akumulator może wybuchnąć. Upuszczony lub uszkodzony akumulator należy natychmiast prawidłowo zutylizować.
- Akumulatora nie należy ładować w miejscach mokrych lub zawilgoconych. Przestrzeganie tej zasady ograniczy ryzyko porażenia prądem.
- Aby uzyskać najlepsze wyniki, akumulator należy ładować w miejscu, w którym temperatura mieści się w przedziale od 0°C do 40°C. Nie przechowywać na dworze lub w pojazdach.
- Nie wolno dopuszczać do tego, aby produkty na bazie ropy, olejów, benzyny itp. zetknęły się z częściami plastikowymi. Substancje te zawierają chemikalia, które mogą uszkodzić, osłabić lub zniszczyć plastik.
- Serwisowanie akumulatora należy powierzać wykwalifikowanemu serwisantowi. Do naprawy należy używać wyłącznie części zamiennych identycznych z oryginalnymi. Zapewni to bezpieczeństwo eksploatacji akumulatora.
- Instrukcję należy zachować. Zachęcamy do częstego korzystania z niej. Instrukcja może też posłużyć do przeszkolenia innych osób, które będą używały narzędzia. Jeśli narzędzie zostaje komuś wypożyczone, osobie tej należy również udostępnić niniejszą instrukcję, aby zapobiec niewłaściwemu użytkowaniu i możliwym urazom.

SPECYFIKACJA

Napięcie znamionowe	56V
Maks. pojemność	1568Wh
Pasująca ładowarka	CHX5500E
Prąd ładowania	Szybkie ładowanie: 8A Zwykłe ładowanie: 4A
Czas ładowania	Szybkie ładowanie: około 3,5h Zwykłe ładowanie: około 7h
Pasujące elektronarzędzia	LBX6000, HTX6500, BCX3800
Ciężar	8,7kg
Przedział temperatur rozładowywania	-20°C~40°C

OPIS

ZAPOZNANIE SIĘ Z AKUMULATOREM (rys. A)

1. Kabel
2. Uchwyt
3. Port USB
4. Przelącznik USB/DC (prąd stały)
5. Port prądu stałego (DC 12V)
6. Wskaźnik mocy i przelącznik
7. Mocowanie paska naramiennego
8. Mocowanie pasa biodrowego
9. Pokrywa serwisowa bezpiecznika
10. Pasek naramienny
11. Rama
12. Sieć
13. Pasek
14. Uprząż (sprzedawana osobno)
15. Wyposażenie dodatkowe –podkładka biodrowa (sprzedawana osobno)

UŻYTKOWANIE

WSKAŹNIK ZASILANIA NA AKUMULATORZE (rys. B)

Ten plecakowy akumulator litowo-jonowy jest wyposażony we wskaźnik mocy, który pokazuje poziom naładowania lub usterkę akumulatora. Gdy akumulator nie jest ładowany, aby wyświetlić poziom naładowania, należy nacisnąć wskaźnik mocy. Wskaźnik LED świeci się przez 10 sekund.

- W przypadku ładowania, kontrolka LED może wyświetlać różne sygnały bez wcześniejszego wciśnięcia przelącznika.

PL

ŁADOWANIE						
Poziom naładowania akumulatora / Błąd	LED-y					Uwagi
	1	2	3	4	5	
<20%	Miganie na zielono	Wyt.	Wyt.	Wyt.	Wyt.	1 miga
20% ≤ Poziom naładowania < 40%	Wt.	Miganie na zielono	Wyt.	Wyt.	Wyt.	1 włączona, 1 miga
40% ≤ Poziom naładowania < 60%	Wt.	Wt.	Miganie na zielono	Wyt.	Wyt.	2 włączone, 1 miga
60% ≤ Poziom naładowania < 80%	Wt.	Wt.	Wt.	Miganie na zielono	Wyt.	3 włączone, 1 miga
80% ≤ Poziom naładowania < 100%	Wt.	Wt.	Wt.	Wt.	Miganie na zielono	4 włączone, 1 miga
Poziom naładowania = 100% (akumulator całkowicie naładowany)	Wt.	Wt.	Wt.	Wt.	Wt.	5 włączonych przez kilka minut, następnie gasną
Akumulatora nie można naładować	Wyt.	Wyt.	Wyt.	Wyt.	Wyt.	Wszystkich 5 diod LED będzie zgaszonych
Przekroczenie temperatury akumulatora	Wyt.	Wyt.	Wyt.	Wyt.	Wyt.	Wszystkich 5 diod LED będzie zgaszonych

Jeśli akumulator plecakowy rozładowuje się lub nie jest używany, **WCISNIĘCIE PRZEŁĄCZNIKA** powoduje wyświetlanie na kontrolkach LED informacji zgodnie z tabelą poniżej (inną niż dla przypadku ładowania).

PL

AKUMULATOR ROZŁADOWYWANY/NIEUŻYWANY						
Poziom naładowania akumulatora / Błąd	LED-y					Uwagi
	1	2	3	4	5	
80% < Poziom naładowania ≤ 100%	Wt.	Wt.	Wt.	Wt.	Wt.	Po naciśnięciu przycisku 5 diod LED świeci przez 10 sekund
60% < Poziom naładowania ≤ 80%	Wt.	Wt.	Wt.	Wt.	Wyt.	Po naciśnięciu przycisku 4 diody LED świecą przez 10 sekund
40% < Poziom naładowania ≤ 60%	Wt.	Wt.	Wt.	Wyt.	Wyt.	Po naciśnięciu przycisku 3 diody LED świecą przez 10 sekund
20% < Poziom naładowania ≤ 40%	Wt.	Wt.	Wyt.	Wyt.	Wyt.	Po naciśnięciu przycisku 2 diody LED świecą przez 10 sekund
10% < Poziom naładowania ≤ 20%	Wt.	Wyt.	Wyt.	Wyt.	Wyt.	Po naciśnięciu przycisku 1 dioda LED świeci przez 10 sekund
≤10%	Miganie na zielono	Wyt.	Wyt.	Wyt.	Wyt.	Po naciśnięciu przycisku 1 dioda LED miga przez 10 sekund
Zbyt niskie napięcie (2,7 V)	Miganie na czerwono	Miganie na czerwono	Miganie na czerwono	Miganie na czerwono	Miganie na czerwono	Po naciśnięciu przycisku 5 czerwonych kontrolek miga przez 10 sekund
Przekroczenie temperatury akumulatora	Świecenie na czerwono	Świecenie na czerwono	Świecenie na czerwono	Świecenie na czerwono	Świecenie na czerwono	Po naciśnięciu przycisku 5 czerwonych kontrolki świeci przez 10 sekund

OCHRONA AKUMULATORA

Obwody akumulatora zabezpieczają go przed ekstremalnymi temperaturami, nadmiernym rozładowaniem i nadmiernym naładowaniem. Aby zabezpieczyć akumulator przed uszkodzeniem i wydużyć jego działanie, w przypadku nadmiernego ładowania lub zbyt wysokiej lub zbyt niskiej temperatury w czasie użytkowania następuje odcięcie obwodów akumulatora. Sytuacja taka może wystąpić w przypadku wykonywania czynności z użyciem bardzo dużych momentów siły oraz gdy urządzenie zablokuje się.

- W przypadku ładowania akumulator wyłączy się, a wszystkich 5 diod LED zgaśnie, gdy temperatura przekroczy 60°C lub spadnie poniżej 0°C. Jeśli w ciągu 90 minut temperatura wróci do normalnego przedziału, akumulator automatycznie wznowi pracę. Jeśli nie, wówczas akumulator wyłączy się, należy wtedy ponownie włożyć wtyczkę do ładowarki, co spowoduje wznowienie ładowania.
- Akumulator wyłączy się, a wszystkich 5 diod LED zgaśnie, także w przypadku, gdy napięcie akumulatora przekroczy bezpieczną wartość. Zaleca się wtedy natychmiast rozładować akumulator. Jeżeli problem ten będzie się powtarzał, prosimy o kontakt z centrum serwisowym EGO.
- W przypadku rozładowywania przy temperaturze akumulatora powyżej 70°C lub poniżej -20°C, po naciśnięciu przycisku akumulator wyłączy się, a wszystkich 5 diod LED będzie się świeciło na czerwono przez 10 s. W obu przypadkach akumulator wróci do pracy, gdy temperatura wróci do zwykłego przedziału wartości, co pozwoli też ponownie włączyć elektronarzędzie.
- Gdy napięcie akumulatora spadnie poniżej 2,7 V, po naciśnięciu przycisku akumulator wyłączy się, a 5 diody LED będą migać na czerwono przez 10 s. Zaleca się wtedy natychmiast przerwać pracę i naładować akumulator. Jeżeli problem ten będzie się powtarzał, w celu uzyskania pomocy należy się skontaktować z technikiem.

⚠ OSTRZEŻENIE: W żadnym wypadku akumulatora nie wolno podgrzewać.

ŁADOWANIE AKUMULATORA

Akumulator zostaje wysłany w stanie częściowego naładowania. Przed pierwszym użyciem akumulator trzeba najpierw naładować.

⚠ OSTRZEŻENIE: Akumulatora nie należy ładować na dworze ani narażać na wilgoć lub zamoczenie. Woda dostająca się do ładowarki lub akumulatora zwiększa ryzyko porażenia prądem. Dodatkowe informacje podano w podręczniku operatora ładowarki EGO CHX5500E.

1. Podłączyć ładowarkę do zasilania (220-240 V-50 Hz).
2. Włożyć wtyczkę akumulatora do ładowarki.
3. Jeśli akumulator ładuje się w zwykły sposób, zielona dioda LED1 na ładowarce będzie migać. Po wciśnięciu zielonego przycisku i przytrzymaniu go przez co najmniej 1 s, zwykle ładowanie (prądem 4A) zmieni się w szybkie ładowanie (prądem 8A), dioda LED1 zgaśnie, a dioda LED2 na ładowarce będzie migać.
4. 5 diod LED akumulatora świecących w sposób ciągły na zielono oznacza, że akumulator jest całkowicie naładowany. Należy odczekać aż wyłączy się wentylator chłodzący w ładowarce, wyjąć akumulator z ładowarki i odłączyć ładowarkę od zasilania.

UWAGA:

- W przypadku pozostawienia akumulatora w ładowarce akumulator zostanie całkowicie naładowany, ale nie przeladowany.
- Dalsze szczegółowe instrukcje podano w podręczniku operatora ładowarki EGO CHX5500E.
- Istotnie krótszy czas pracy po pełnym naładowaniu akumulatora oznacza, że akumulator niemal nie nadaje się już do użytkowania i wymaga wymiany.
- Jeśli wtyczka nie zostanie całkowicie wciśnięta, kontrolka LED w ładowarce będzie przez cały czas migać.
- Podczas ładowania ładowarka może się nagrzewać. Jest to normalny efekt procesu ładowania. Ładowanie należy przeprowadzać w miejscach dobrze wentylowanych.

USB/prąd stały 12V

Należy odsłonić gumowe zaślepki i włożyć wtyczki USB/DC do portów USB/DC (rys. C i D). Następnie należy nacisnąć przełącznik USB/DC, akumulator będzie zasilat podłączone urządzenia przez porty USB lub DC.

C-1	Gumowe zaślepki	D-2	Port prądu stałego (DC 12V)
D-1	Port USB	D-3	Przełącznik USB/DC

UWAGA:

- Funkcje zasilania przez USB i zasilania DC 12V mogą działać jednocześnie z napięciem 56 V. Po użyciu zasilania USB/DC 12V należy wyjąć wtyczki USB/DC i założyć z powrotem gumowe zaślepki.
- W czasie ładowania akumulatora funkcji zasilania USB/DC 12V nie należy używać.

PL

PRZYPINANIE I ODPINANIE UPRZĘŻY DO/OD AKUMULATORA

Przypinanie

Należy dopasować cztery wystające części na ramie do rowków mocujących i przyczepić żebro pozycjonujące na pasku do zamocowanie pasa biodrowego. Następnie należy wsunąć uprząż do góry tak, aby słychać było kliknięcie. (rys. E).

E-1	Rowek mocujący	E-3	Żebro pozycjonujące pasek
E-2	Żebro pozycjonujące ramę		

Odpinanie

Wystarczy nacisnąć dwa przyciski odblokowujące na uprząży za ramą i wysunąć uprząż na zewnątrz (rys. F).

WKŁADANIE AKUMULATORA

W zwykłych warunkach działania akumulator z uprzążą jest noszony na plecach. Aby nie dopuścić do zmęczenia i pracować wygodnie, uprząż jest wyposażona w zapewniające swobodę ruchów łączówkę do pasa biodrowego i łączówkę do paska naramiennego.

Długość paska biodrowego o pasków naramiennych można dowolnie regulować. Tylna poduszka powinna być dobrze dopasowana do pleców użytkownika.

- Przed codzienną pracą należy wyregulować długość pasa biodrowego i pasków naramiennych, długość powinna być dostosowana do wzrostu użytkownika (łączówki do pasa biodrowego i paska naramiennego).
- Dwie części klamry pasa i klamry piersiowej należy włożyć jedną w drugą tak, aby dało się słyszeć kliknięcie (rys. G i H).
- Wysokość klamry piersiowej należy wyregulować tak, aby użytkownik czuł się wygodnie (rys. I).
- Ponownie ustawić długość pasa i paska piersiowego.
- Nadmiar długości pasa biodrowego i piersiowego zamocować gumką (rys. J).

MOCOWANIE I ODŁĄCZANIE AKUMULATORA

Ładowanie przed pierwszym użyciem

Należy poprowadzić przewód zasilający od akumulatora z boku ciała i podłączyć elektronarzędzie do kabla połączeniowego 1,5 m. Więcej szczegółowych informacji – patrz instrukcje podane w instrukcji do elektronarzędzia.

Instalowanie (rys. K)

Należy dopasować do siebie symbole ▲ na elektronarzędziu i wtyczce i włożyć wtyczkę do elektronarzędzia tak, aby zielona uszczelka całkowicie schowała się w gnieździe wtykowym.

Wymowanie

Należy wyjąć wtyczkę z elektronarzędzia.

▲ OSTRZEŻENIE: W nagłych wypadkach należy natychmiast wyjąć akumulator. Rozpiąć klamrę piersiową i pasek następnie zdjąć uprząż naramienną z obu stron – użyć mechanizmu szybkiego odpinania.

▲ OSTRZEŻENIE: Pasków naramiennych nie wolno zaciskać za mocno gdyż potem może być trudno wyjąć akumulator.

▲ OSTRZEŻENIE: Tylko niektóre urządzenia EGO pasują do akumulatora, lista pasujących urządzeń – patrz część „SPECYFIKACJA”. Zalecamy, aby nie używać akumulatora w innych elektronarzędziach.

KONSERWACJA

▲ OSTRZEŻENIE: Akumulator należy naprawić lub wymienić w autoryzowanym centrum serwisowym EGO.

▲ OSTRZEŻENIE: Aby uniknąć poważnych obrażeń ciała, na czas czyszczenia, wykonywania prac konserwacyjnych lub wymiany akcesoriów należy zawsze wyjmować z narzędzia akumulator.

▲ OSTRZEŻENIE: Podczas serwisowania należy używać wyłącznie części zamiennych EGO identycznych z oryginalnymi. Używanie jakichkolwiek innych części stwarza ryzyko i może spowodować usterkę produktu.

▲ OSTRZEŻENIE: Jeśli czyszczenie sprężonym powietrzem jest jedyną możliwą metodą, należy wówczas zawsze nosić gogle ochronne lub okulary ochronne z osłonami bocznymi. Jeżeli praca powoduje pylenie, należy zakładać także maskę przeciwpyłową.

KONSERWACJA OGÓLNA

Podczas czyszczenia części plastikowych należy unikać używania rozpuszczalników. Pod wpływem kontaktu z różnego rodzaju rozpuszczalnikami dostępnymi w handlu większość tworzyw może ulec uszkodzeniu. Do usuwania zabrudzeń, kurzu, oleju, smaru itp. należy używać czystych ściereczek.

⚠ OSTRZEŻENIE: Nigdy nie należy dopuszczać do zetknięcia się części plastikowych z substancjami takimi jak płyn hamulcowy, benzyna, produkty ropopochodne, oleje penetrujące itp. Substancje chemiczne mogą uszkodzić, osłabić lub zniszczyć tworzywa, co może w konsekwencji spowodować poważne obrażenia.

BATERIE

Akumulatora nie należy rozmontowywać, nie należy próbować wymieniać w nim ogniw. Manipulowanie przy akumulatorach, zwłaszcza w przypadku noszenia pierścionków i biżuterii, może doprowadzić do poważnych oparzeń. Aby akumulator działał możliwie jak najdłużej, należy przeczytać ze zrozumieniem instrukcję operatora.

⚠ OSTRZEŻENIE: Dobrą praktyką jest odłączenie ładowarki od zasilania i wyjmowanie akumulatora z narzędzia na czas, gdy nie jest ono używane.

WYJMOWANIE AKUMULATORA I PRZYGOTOWANIE DO RECYKLINGU



Li-ion

Ładowarki do akumulatorów oraz akumulatorów/baterii akumulatorowych nie należy wyrzucać do zwykłych zmieszanych śmieci domowych! Zgodnie z dyrektywami Wspólnoty Europejskiej, odpowiednio nr 2012/19/WE i 2006/66/WE, urządzenia elektryczne i elektroniczne nienadające się dłużej do użycia oraz uszkodzone lub zużyte akumulatory/baterie trzeba zbierać oddzielnie i utylizować w sposób bezpieczny dla środowiska.

Pytania o dostępne opcje recyklingu i/lub utylizacji należy kierować do władz lokalnych zarządzających gospodarką odpadami.

⚠ OSTRZEŻENIE: Po wyjęciu akumulatora w celu utylizacji lub recyklingu wyprowadzenia akumulatora należy zakleić mocną taśmą klejącą. Nie należy próbować niszczyć lub rozmontowywać akumulatora ani wyjmować jakichkolwiek jego podzespołów. Baterie litowo-jonowe należy poddać recyklingowi lub odpowiednio zutylizować. Ponadto, nigdy nie należy dotykać wyprowadzeń przedmiotami metalowymi i/lub częściami ciała, ponieważ mogłoby to doprowadzić do zwarcia. Chronić przed dziećmi. Niezastosowanie się do powyższych ostrzeżeń może spowodować pożar i/lub doprowadzić do poważnych urazów.

ROZWIĄZYWANIE PROBLEMÓW

PROBLEM	PRZYCZYNA	ROZWIĄZANIE
Elektronarzędzie nie działa	<ul style="list-style-type: none">■ Elektronarzędzie i akumulator nie kontaktują.■ Akumulator jest rozładowany.■ Akumulator lub elektronarzędzie są zbyt gorące.■ Kabel lub wtyczka nie działają.■ Napięcie w ogniwie akumulatora wynosi poniżej 2,7 V.	<ul style="list-style-type: none">■ Zamocować akumulator w elektronarzędziu.■ Naładować akumulator.■ Pozwolić, aby akumulator lub elektronarzędzie ostygły do zwykłej temperatury.■ Skontaktować się z punktem serwisowym EGO.■ Natychmiast naładować akumulator.
Akumulatora nie można naładować	<ul style="list-style-type: none">■ Temperatura akumulatora przekracza przewidzianą wartość maksymalną lub jest niższa od ustalonej wartości minimalnej.■ Akumulator i ładowarka nie kontaktują.■ Nieprawidłowe połączenie między ładowarką a źródłem zasilania.	<ul style="list-style-type: none">■ Przerwać ładowanie lub rozładowywanie aż temperatura wróci do normalnego przedziału.■ Ponownie włożyć akumulator do ładowarki.■ Ponownie włożyć wtyczkę ładowarki do źródła zasilania.

PL

GWARANCJA

POLITYKA GWARANCYJNA EGO

W celu zapoznania się z wszystkimi warunkami polityki gwarancyjnej EGO prosimy odwiedzić stronę egopowerplus.com.

PŘEČTĚTE SI A SEZNAMTE SE S NÁVODEM K OBSLUZE(AKUMULÁTOR)



PŘEČTĚTE SI VŠECHNY POKYNY!

⚠ Zbytkové riziko! Lidé s elektronickými přístroji, jako jsou např. kardiostimulátory, by se měli před použitím toho výrobku poradit se svým lékařem. Použití elektrického zařízení v těsné blízkosti kardiostimulátoru může způsobit narušení činnosti nebo poruchu kardiostimulátoru.

⚠ VAROVÁNÍ: Z důvodu bezpečnosti by měl všechny opravy a výměny provádět kvalifikovaný servisní technik.

BEZPEČNOSTNÍ SYMBOLY

Účelem bezpečnostních symbolů je upoutat vaši pozornost k případným nebezpečím. Bezpečnostní symboly a jejich vysvětlení vyžadují vaši zvýšenou pozornost a porozumění. Výstražné symboly samy o sobě nevyklučují žádné nebezpečí. Pokyny a varování nejsou náhradou vhodných opatření pro prevenci úrazů.

⚠ VAROVÁNÍ: Před použitím tohoto nástroje si přečtěte a seznamte se se všemi bezpečnostními pokyny v tomto návodu k obsluze včetně veškerých výstražných symbolů, jako např. „**NEBEZPEČÍ**“, „**VAROVÁNÍ**“ nebo „**UPOZORNĚNÍ**“. Nedodržení níže uvedených pokynů může mít za následek úraz elektrickým proudem, požár a nebo vážná poranění osob.

⚠ VAROVÁNÍ: Riziko požáru a popálenin. Nerozebírejte, nezahřívejte nad 100 °C ani nespalujte. Před použitím uchovávejte akumulátor mimo dosah dětí v původním obalu. Použité akumulátory neprodleně likvidujte v souladu s místními předpisy pro recyklaci nebo likvidaci odpadu.

BEZPEČNOSTNÍ POKYNY

Na této stránce jsou zobrazeny a popsány bezpečnostní symboly, které se mohou objevit na výrobku. Před montáží a provozem si přečtěte, seznamte se a dodržujte veškeré pokyny ke stroji.

	Bezpečnostní upozornění	Upozorňuje na možné riziko úrazu.
	Přečtěte si návod k obsluze	Z důvodu snížení rizika úrazu si musí uživatel před použitím tohoto výrobku přečíst a seznámit se s návodem k obsluze.
	Recyklační symboly	Akumulátor/ akumulátorové články nevhazujte do domovního odpadu, ohně ani vody. Akumulátor/ akumulátorové články se musí sbírat, recyklovat a likvidovat ekologicky.
	CE	Tento výrobek je v souladu s platnými směrnici ES.
	WEEE	Odpadní elektrické výrobky se nesmí likvidovat s domovním odpadem. Odevzdejte do autorizovaného recyklačního střediska.
V	Voltů	Napětí
A	Ampérů	Proud
W	Wattů	Výkon
min	Minut	Doba
	Stejnosměrný proud	Druh nebo vlastnosti proudu

CZ

VAROVÁNÍ: Přečtěte si a seznamte se se všemi pokyny. Nedodržení pokynů může mít za následek úraz elektrickým proudem, požár anebo vážná poranění osob. Termín „elektrické nářadí“ ve většině uvedených varováních se vztahuje k síťovým nebo akumulátorovým (bezdrátovým) sekačkám a zahradním strojům.

BEZPEČNOST NA PRACOVIŠTI

- **Pracoviště udržujte v čistotě a dostatečně osvětlené.** Zaneřáděné a tmavé prostory bývají častou příčinou úrazů.
- **Elektrické nářadí nepoužívejte ve výbušném prostředí, jako např. prostředí s výskytem hořlavých kapalin, plynů nebo prachu.** Elektrické nářadí je zdrojem jiskření, které může zapálit prach nebo výpary.

ELEKTRICKÁ BEZPEČNOST

- **Elektrické nářadí chraňte před deštěm a vlhkem.** Voda vnikající do elektrického nářadí zvyšuje riziko úrazu elektrickým proudem.
- **Používejte pouze s nabíječkami a elektrickým nářadím uvedeným v části „SPECIFIKACE“.**

POUŽITÍ A PÉČE O AKUMULÁTORY

- **Pokud akumulátor nepoužíváte, uchovávejte jej v bezpečné vzdálenosti od kovových předmětů jako jsou např. kancelářské sponky, mince, klíče, hřebíky, šrouby nebo jiné malé kovové předměty, které mohou propojit jednotlivé póly.** Zkrat pólů akumulátoru může způsobit popáleniny nebo požár.
- **V nepříznivých podmínkách může dojít k úniku tekutiny z akumulátoru; vyhněte se styku s ní.** Pokud dojde k neúmyslnému styku, opláchněte místo vodou. Pokud dojde k zasažení očí, vyhledejte navíc lékařské ošetření. Kapalina unikající z akumulátoru může způsobit podráždění nebo popáleniny.
- **Baterii nerozebírejte, neotvírejte ani nerozřezávejte.**
- **Nevystavujte baterii teplu nebo ohni.** Vyhněte se skladování na přímém slunečním záření.
- **Článek ani akumulátor nezkratujte.** Články ani akumulátory neskladujte neuspořádaně v krabici nebo šuplíku, kde se mohou vzájemně zkratovat, nebo je mohou zkratovat jiné kovové předměty.
- **Baterii nevyjímejte z původního obalu dřívě, než ji budete potřebovat.**
- **Články ani akumulátory nevystavujte mechanickým otřesům.**
- **Baterii uchovávejte mimo dosahu dětí!** Při spolknutí baterie ihned vyhledejte lékařské ošetření.

- **Baterii udržujte čistou a suchou.**
- **Pokud se póly baterie znečistí, otřete je čistým a suchým hadrem.**
- **Náhradní baterie se musí před použitím nabít.** Vždy použijte správnou nabíječku a při nabíjení se řiďte pokyny výrobce nebo návodem k obsluze zařízení.
- **Pokud akumulátor nepoužíváte, nenechávejte jej na nabíječce.**
- **Po dlouhodobém skladování mohou baterie vyžadovat několik nabíjecích cyklů pro dosažení maximálního výkonu.**
- **Uchovejte původní návod k obsluze pro budoucí použití.**
- **Baterii používejte pouze k určenému použití.**
- **Pokud to lze, vyjměte akumulátor ze zařízení, pokud jej nepoužíváte.**
- **Zajistěte správnou likvidaci.**

SERVIS

- **Řiďte se pokyny v části tohoto návodu věnované údržbě.** Použití neschválených dílů nebo nedodržení pokynů k údržbě může vyvolat riziko úrazu elektrickým proudem nebo úrazu.

ZVLÁŠTNÍ BEZPEČNOSTNÍ ZÁSADY

- **Seznamte se s elektrickým nářadím.** Pečlivě si přečtěte návod k obsluze. Seznamte se s použitím, omezeními a také s konkrétním potenciálním nebezpečím ve vztahu k nářadí. Dodržování této zásady sníží riziko úrazu elektrickým proudem, vzniku požáru nebo vážného úrazu.
- **Akumulátorové nářadí se nemusí zapojovat do elektrické zásuvky, proto jsou vždy v provozním stavu. Nezapomínejte na rizika, pokud akumulátorové nářadí nepoužíváte.** Před výměnou příslušenství vždy vyjměte akumulátor. Dodržování této zásady sníží riziko úrazu elektrickým proudem, vzniku požáru nebo vážného úrazu.
- **Akumulátor se nesmí drtit, upustit ani poškodit. Nepoužívejte akumulátor nebo nabíječku, které spadly na zem, nebo utrhly prudkou ránu.** Poškozený akumulátor může vybuchnout. Upuštěný nebo poškozený akumulátor neprodleně řádně zlikvidujte.
- **Akumulátor nenabíjejte na vlhkém nebo mokřém místě.** Dodržování této zásady sníží riziko úrazu elektrickým proudem.
- **Chcete-li dosáhnout co nejlepších výsledků, nabíjejte akumulátor v místě, kde je teplota v rozmezí od 0 do 40 °C.** Neuchovávejte jej venku nebo ve vozidle.

- **Dbejte, aby nedošlo ke styku plastových částí s benzínem, oleji, ropnými produkty atd.** Tyto látky obsahují chemické látky, které mohou poškodit, zeslabit nebo zničit plast.
- **Servis vašeho akumulátoru svěďte kvalifikovanému opraváři, který používá pouze originální náhradní díly.** Tím zajistíte bezpečnost akumulátoru.
- **Tyto pokyny uschovejte pro budoucí použití.** Používejte je často a také k poučení dalších osob, které mohou toto nářadí používat. Pokud nářadí někomu půjčíte, půjčte mu také tento návod k obsluze, aby nedošlo k nesprávnému použití výrobků nebo případně k úrazu.

OBSLUHA

KONTROLKA NABÍTÍ NA AKUMULÁTORU (obr. B)

Tento lithium-iontový zádobý akumulátor je vybaven kontrolkou nabití, která signalizuje úroveň nabití nebo chyby akumulátoru. Stiskněte kontrolku nabití pro zobrazení úrovně kapacity, když se baterie nenabíjí. LED kontrolka se rozsvítí po dobu 10 s.

- V případě nabíjení může LED kontrolka zobrazovat níže uvedená rozhraní bez stisknutí přepínače.

SPECIFIKACE

Jmenovité napětí	56V
Max. kapacita	1568Wh
Vhodná nabíječka	CHX5500E
Nabíjecí proud	Rychlé nabíjení: 8A Normální nabíjení: 4A
Doba nabíjení	Rychlé nabíjení: Cca 3,5hodiny Normální nabíjení: Cca 7hodin
Vhodné elektrické nářadí	LBX6000, HTX6500, BCX3800
Hmotnost	8,7kg
Určený rozsah okolní teploty pro vybíjení	-20°C ~ 40°C

CZ

POPIS

SEZNAMTE SE S VAŠÍ NABÍJEČKOU (obr. A)

1. Kabel
2. Rukojeť
3. USB port
4. Přepínač USB/DC
5. 12V stejnosměrný napájecí konektor
6. Kontrolka napájení a přepínač
7. Pružina pro upevnění ramenního popruhu
8. Pružina pro upevnění řemenového popruhu
9. Servisní kryt pojistky
10. Ramenní popruh
11. Rám
12. Síťovina
13. Popruh
14. Postroj (prodává se odděleně)
15. Příslušenství boční opěrky (prodává se odděleně)

NABÍJENÍ						
Kapacita baterie / chyba	LED					Poznámky
	1	2	3	4	5	
< 20 %	Blikající zelená	Vyp	Vyp	Vyp	Vyp	1 bliká
20 % ≤ Kapacita < 40 %	Zap	Blikající zelená	Vyp	Vyp	Vyp	1 svítí, 1 bliká
40 % ≤ Kapacita < 60 %	Zap	Zap	Blikající zelená	Vyp	Vyp	2 svítí, 1 bliká
60 % ≤ Kapacita < 80 %	Zap	Zap	Zap	Blikající zelená	Vyp	3 svítí, 1 bliká
80 % ≤ Kapacita < 100 %	Zap	Zap	Zap	Zap	Blikající zelená	4 svítí, 1 bliká
Kapacita = 100 % (plně nabitá)	Zap	Zap	Zap	Zap	Zap	5 svítí několik minut, pak zhasne
Baterii nelze nabíjet	Vyp	Vyp	Vyp	Vyp	Vyp	Všech 5 LED kontrolkek nesvítí
Nadměrná teplota baterie	Vyp	Vyp	Vyp	Vyp	Vyp	Všech 5 LED kontrolkek nesvítí

Pokud se zádoový akumulátor vybité nebo zůstane nevyužit, **STISKNĚTE PŘEPÍNAČ**, LED kontrolka zobrazí jiné rozhraní než nabíjecí, jak je uvedeno níže.

VYBÍJENÍ / NEPOUŽÍVÁ SE						
Kapacita baterie / chyba	LED					Poznámky
	1	2	3	4	5	
80 % < Kapacita ≤ 100 %	Zap	Zap	Zap	Zap	Zap	5 LED svítí 10 sekund po zmáčknutí tlačítka
60 % < Kapacita ≤ 80 %	Zap	Zap	Zap	Zap	Vyp	4 LED svítí 10 sekund po zmáčknutí tlačítka
40 % < Kapacita ≤ 60 %	Zap	Zap	Zap	Vyp	Vyp	3 LED svítí 10 sekund po zmáčknutí tlačítka
20 % < Kapacita ≤ 40 %	Zap	Zap	Vyp	Vyp	Vyp	2 LED svítí 10 sekund po zmáčknutí tlačítka
10 % < Kapacita ≤ 20 %	Zap	Vyp	Vyp	Vyp	Vyp	1 LED svítí 10 sekund po zmáčknutí tlačítka
≤ 10 %	Blikající zelená	Vyp	Vyp	Vyp	Vyp	1 LED bliká 10 sekund po zmáčknutí tlačítka
Pod napětím (< 2,7 V)	Blikající červená	Blikající červená	Blikající červená	Blikající červená	Blikající červená	5 červených kontrolkek bliká 10 sekund po zmáčknutí tlačítka
Nadměrná teplota baterie	Svítí červeně	Svítí červeně	Svítí červeně	Svítí červeně	Svítí červeně	5 červených kontrolkek svítí 10 sekund po zmáčknutí tlačítka

OCHRANA AKUMULÁTORU

Obvod akumulátoru chrání akumulátor před extrémními teplotami, přílišným vybitím a nabítením. Z důvodu ochrany akumulátoru před poškozením a pro prodloužení jeho životnosti vypne obvod akumulátoru akumulátor, pokud dojde k jeho přetížení, nebo je teplota při použití příliš vysoká nebo nízká. K tomu může dojít při extrémně vysokém kroutivém momentu, uváznutí nebo přetížení.

- V případě nabíjení se akumulátor vypne, když všech 5 LED kontrolky zhasne, teplota překročí 60 ° C nebo klesne pod 0 ° C. Jakmile se teplota vrátí zpět do normálu do 90 minut, baterie se automaticky vrátí do provozu. V opačném případě se baterie vypne. Znovu zasuňte zástrčku do nabíječky a aktivujte nabíjení.
- Akumulátor se také vypne a všech 5 LED zhasne, když napětí článku baterie překročí jeho ochranné napětí. Doporučujeme okamžitě vybit akumulátor. Pokud se tento problém mnohokrát opakuje, kontaktujte servisní středisko společnosti EGO.
- Když teplota akumulátoru v případě vybití přesáhne 70°C nebo klesne pod -20°C, akumulátor se po stisknutí tlačítka vypne a 5 LED svítí červeně po dobu 10 sekund. Akumulátor se vrátí do provozu, jakmile se obnoví normální teplota a bude možné restartovat elektrické nářadí.
- Pokud je napětí článku baterie menší než 2,7 V, akumulátor se vypne a 5 LED blikají červeně po dobu 10 sekund po stisknutí tlačítka. Doporučujeme okamžitě zastavit práci a ihned nabít akumulátor. Pokud se tento problém mnohokrát opakuje, kontaktujte servisní středisko.

VAROVÁNÍ: Za žádných okolností nesmíte ohřívát akumulátor.

NABÍJENÍ AKUMULÁTORU

Akumulátor se dodává částečně nabitý. Před prvním použitím se musí nabít.

VAROVÁNÍ: Akumulátor nenabíjejte venku ani ho nevystavujte mokrým ani vlhkým podmínkám. Voda vnikající do nabíječky nebo akumulátoru zvyšuje riziko úrazu elektrickým proudem. Další podrobnosti naleznete v Návodu k obsluze nabíječky EGO CHX5500E.

1. Zapojte nabíječku do elektrické sítě (220 - 240 V ~ 50 Hz).
2. Vložte zástrčku akumulátoru do nabíječky.

3. Když se akumulátor normálně nabíjí, bude zelená kontrolka LED1 na nabíječce blikat. Po stisknutí zeleného tlačítka po dobu nejméně 1 s se normální nabíjení (nabíjecí proud 4A) změní na rychlé nabíjení (nabíjecí proud 8A) a zelená kontrolka LED2 na nabíječce bude blikat a LED1 se vypne.
4. Když 5 LED na akumulátoru svítí zeleně, znamená to, že akumulátor je plně nabitý. Počkejte, až se chladicí ventilátor nabíječky zastaví, vyjměte akumulátor z nabíječky a odpojte ji z elektrické sítě.

POZNÁMKA:

- Pokud necháte akumulátor v nabíječce, plně se nabije, ale nepřebije se.
- Postupujte podle pokynů v návodu k obsluze nabíječky EGO CHX5500E.
- Výrazně zkrácená doba provozu po plném nabití akumulátoru ukazuje, že je akumulátor téměř na konci své životnosti a musí se vyměnit.
- Pokud jste konektor zcela nezasunuli na jeho místo, LED kontrolky nabíječky budou nepřetržitě blikat.
- Nabíječka se může během nabíjení zahřívat. Je to součástí běžného provozu nabíječky. Nabíjejte na dobře větraném místě.

USB/12V DC

Odkryjte gumové krytky a vložte konektory USB / DC do portů USB / DC (obr. C a D). Poté stiskněte tlačítko USB / DC, akumulátor bude napájet zařízení přes USB nebo DC porty.

C-1	Gumové krytky	D-2	12V stejnosměrný napájecí port
D-1	USB port	D-3	Přepínač USB/DC

POZNÁMKA:

- Funkce napájení USB a 12V DC mohou současně pracovat se 56 V zdrojem napájení. Po použití USB / 12V DC vytáhněte zástrčky USB / DC a vraťte gumové krytky na místo.
- Nepoužívejte USB / 12V DC při nabíjení akumulátoru.

CZ

PŘIPOJENÍ A ODPOJENÍ POSTROJE NA BATERII

Připojení

Zarovnejte čtyři vnější části na rámu s montážními drážkami a spojte polohovací žebro řemenu s fixační pružinou řemenu. Potom posuňte postroj, dokud nedojde ke kliknutí. (obr. E).

E-1	Montážní drážka	E-3	Polohovací štěrbinu řemenu
E-2	Polohovací štěrbinu na rámu		

Odpojení

Stiskněte obě uvolňovací tlačítka na postroji za rámem a vysuňte postroj (obr. F).

INSTALACE AKUMULÁTORU

Při běžném provozu se akumulátor s postrojem nosí na zádech. Aby se zabránilo únavě a aby byla práce pohodlná, je postroj vybaven řemenovým a ramenním kloubem, které zaručují volný pohyb.

Délku pásu břišního řemene a ramenních popruhů lze volně nastavit. Zádový polštář by měl pevně a bezpečně dosedat na vaše záda.

- Před normální prací nastavte délku řemene a ramenního popruhu tak, abyste se cítili pohodlně. Délka by měla odpovídat velikosti těla skrz břišní řemen a ramenní popruh.
- Vložte obě části řemenové spony a hrudní přezky do sebe, dokud nedojde ke kliknutí (obr. G a H).
- Upravte výšku hrudní přezky, abyste se cítili pohodlně (obrázek I).
- Změňte délku řemenového a hrudního popruhu.
- Přebývajících část popruhu kolem pasu zasuňte do gumičky (obr. J).

NASAZENÍ A VYJMUTÍ AKUMULÁTORU

Před prvním použitím akumulátor nabijte.

Kabel akumulátoru veďte kolem boku těla a připojte elektrické nářadí k 1,5 m propojovacímu kabelu. Postupujte podle pokynů v návodu k elektrickému nářadí.

Instalace (obr. K)

Zasuňte zástrčku se zarovnaným logem ▲ na zástrčce elektrického nářadí, dokud se zelené těsnění zcela nezasedne do zásuvky.

Odstanění

Vytáhněte zástrčku z elektrického nářadí.

VAROVÁNÍ: Dojde-li k nouzové situaci, okamžitě si odepněte popruh ze svého ramene. Nejrychlejší metoda uvolnění je uvolnění přezky popruhu a řemene a vyvlečení se z postroje na obou stranách.

VAROVÁNÍ: Neutahujte si velmi ramenní popruhy, protože by pak mohlo být obtížné sundat si akumulátor.

VAROVÁNÍ: Pouze určité výrobky EGO odpovídají baterii, která je uvedena v části „SPECIFIKACE“. Doporučujeme, abyste baterii nepoužívali na jiné elektrické nářadí.

ÚDRŽBA

VAROVÁNÍ: Akumulátor musí být opraven nebo vyměněn techniky v kvalifikovaném servisním středisku EGO.

VAROVÁNÍ: Aby nedošlo k vážnému úrazu, vždy při výměně příslušenství, čištění nebo jiné údržbě vyjměte akumulátor.

VAROVÁNÍ: Při opravách používejte pouze originální náhradní díly společnosti EGO. Použití jiných dílů může být rizikem nebo způsobit poškození výrobku.

VAROVÁNÍ: Pokud je čištění stlačeným vzduchem jedinou alternativou, vždy používejte ochranné brýle nebo ochranné brýle s bočními kryty. Pokud při použití vzniká prach, noste protiprachový respirátor.

CELKOVÁ ÚDRŽBA

K čištění plastových dílů nepoužívejte rozpouštědla. Většina plastů je náchylná k poškození různými typy komerčních rozpouštědel a jejich použití je může poškodit. K odstranění nečistot, prachu, oleje, maziva atd. použijte čistý hadr.

VAROVÁNÍ: Dbejte, aby nikdy nedošlo ke styku plastových částí s brzdovými kapalinami, benzínem, ropnými produkty, penetračními oleji atd. Chemické látky mohou poškodit, zeslabit nebo poškodit plast, což může vést k vážnému úrazu.

AKUMULÁTORY

Akumulátor nerozebírejte ani se nepokoušejte vyměnit jednotlivé články. Manipulace s akumulátory, zejména při nošení prstenů a šperků, může vést k vážným popáleninám. Chcete-li dosáhnout maximální možné životnosti akumulátoru, přečtěte si a seznáme se s návodem k obsluze.

VAROVÁNÍ: Osvědčeným postupem je odpojit nabíječku a vyjmout akumulátor, pokud se nepoužívá.

VYJMUTÍ AKUMULÁTORU A PŘÍPRAVA K RECYKLACI



Li-ion

Nabíječku a baterie/dobíjecí baterie nevhazujte do domovního odpadu! Podle směrnice Evropského parlamentu a Rady 2012/19/EU se musí odpadní elektrická a elektronická zařízení a podle směrnice 2006/66/ES vadné nebo použité akumulátory/baterie sbírat odděleně a likvidovat ekologicky.

Informace o možných způsobech recyklace anebo likvidace vám podá místní úřad pro likvidaci odpadů.

VAROVÁNÍ: Po vyjmutí akumulátoru za účelem likvidace nebo recyklace zalepte póly akumulátoru odolnou lepicí páskou. Nepokoušejte se akumulátor zničit nebo rozebrat ani odstranit žádnou z jeho částí. Lithium-iontové akumulátory se musí řádně recyklovat nebo likvidovat. Nikdy se také nedotýkejte pólů kovovými předměty anebo částmi těla, může dojít ke zkratu. Uchovávejte mimo dosah dětí. Nedodržení těchto varování může vést ke vzniku požáru anebo k vážnému úrazu.

ODSTRAŇOVÁNÍ PROBLÉMŮ

PROBLÉM	PŘÍČINA	ŘEŠENÍ
Elektrické nářadí nefunguje	<ul style="list-style-type: none"> ■ Bez elektrického kontaktu mezi elektrickým nářadím a akumulátorem. ■ Akumulátor je vybitý. ■ Akumulátor nebo elektrické nářadí jsou příliš horké. ■ Kabel nebo zástrčka jsou mimo provoz. ■ Napětí článku baterie je nižší než 2,7 V. 	<ul style="list-style-type: none"> ■ Připojte akumulátor na elektrické nářadí. ■ Nabijte akumulátor. ■ Ochlaďte akumulátor nebo elektrické nářadí, dokud teplota neklesne na normální hodnoty. ■ Kontaktujte servisní středisko EGO. ■ Ihned nabijte akumulátor.
Akumulátor nelze nabít	<ul style="list-style-type: none"> ■ Teplota baterie je vyšší nebo nižší než určená hodnota. ■ Bez elektrického kontaktu mezi baterií a nabíječkou. ■ Připojení mezi nabíječkou a zdrojem napájení je vadné. 	<ul style="list-style-type: none"> ■ Zastavte nabíjení nebo vybíjení, dokud se teplota nestane normální. ■ Vložte akumulátor do nabíječky. ■ Připojte zástrčku nabíječky do zdroje napájení.

CZ

ZÁRUKA

ZÁRUKA SPOLEČNOSTI EGO

Úplné záruční podmínky společnosti EGO naleznete na webové stránce egopowerplus.com.

PREČÍTAJTE SI VŠETKY POKYNY!



PŘEČTĚTE SI VŠECHNY POKYNY!

⚠ Potenciálne riziká! Ľudia s elektronickými zariadeniami, ako sú napríklad kardiostimulátory, sa musia pred použitím tohto výrobku poradiť so svojim lekárom. Použitie elektrických zariadení v tesnej blízkosti kardiostimulátora by mohlo spôsobiť rušenie alebo zlyhanie kardiostimulátora.

⚠ VAROVANIE: Pre zaistenie bezpečnosti a spoľahlivosti je nevyhnutné, aby všetky opravy a výmeny vykonával len kvalifikovaný servisný technik.

BEZPEČNOSTNÉ SYMBOLY

Účelom bezpečnostných symbolov je upozorniť vás na možné nebezpečenstvá. Venujte príslušnú pozornosť a pochopte bezpečnostné symboly a ich vysvetlenia. Varovné symboly, samy o sebe, nedokážu eliminovať nebezpečenstvo. Pokyny a varovania, ktoré obsahujú, nie sú náhradou za vhodné opatrenia na prevenciu úrazov.

⚠ VAROVANIE: Pred použitím tohto nástroja si prečítajte a pochopte všetky bezpečnostné pokyny v tomto návode na obsluhu, vrátane všetkých bezpečnostných výstražných symbolov, ako sú „**NEBEZPEČENSTVO**“, „**VAROVANIE**“ a „**UPOZORNENIE**“. Nedodržanie nižšie uvedených pokynov môže mať za následok úraz elektrickým prúdom, požiar a / alebo vážne zranenie.

⚠ VAROVANIE: Nebezpečenstvo požiaru a popálenia. Nerozoberajte, nezahrievajte nad 100 ° C a nespáľujte. Pred použitím uchovávajte akumulátor mimo dosahu detí v pôvodnom obale. Použitý akumulátor ihneď zlikvidujte v súlade s miestnymi predpismi na recykláciu a odpady.

BEZPEČNOSTNÉ POKYNY

Táto strana zobrazuje a popisuje bezpečnostné symboly, ktoré sa objavujú na tomto výrobku. Pred pokusom o zostavenie a prevádzkovanie si prečítajte, pochopte a dodržiavajte všetky pokyny na stroji.

	Bezpečnostné upozornenie	Upozorňuje na potenciálne nebezpečenstvo úrazu.
	Prečítajte si návod na obsluhu	Ak chcete znížiť riziko zranenia, používateľ musí pred použitím tohto výrobku prečítať a pochopiť návod na obsluhu.
	Li-ion Symboly recyklácie	Nevyhadzujte akumulátory / batérie do domového odpadu, ohňa alebo vody. Akumulátory / batérie sa musia zbierať, recyklovať alebo likvidovať ekologicky šetrným spôsobom.
	CE	Tento výrobok je v súlade s platnými smernicami ES.
	WEEE	Nepotrebné elektrické výrobky sa nesmú likvidovať spolu s domovým odpadom. Odovzdajte do autorizovaného recyklačného strediska.
V	Volt	Napätie
A	Ampéry	Prúd
W	Watt	Výkon
min	Minúty	Čas
	Jednosmerný prúd	Typ alebo charakteristika prúdu

SK

⚠ VAROVANIE: Prečítajte si a dodržiavajte všetky pokyny. Nedodržanie všetkých uvedených pokynov môže mať za následok úraz elektrickým prúdom, požiar a / alebo vážne zranenie. Termín „elektrické náradie“ vo väčšine uvedených upozorneniach odkazuje na batériami napájané (bezdrôtové) kosačky a záhradné stroje.

BEZPEČNOSŤ PRACOVISKA

- **Udržiavajte pracovisko čisté a dobre osvetlené.** Neporiadok a tmavé priestory vedú k úrazom.
- **Nepoužívajte elektrické náradie vo výbušných prostrediach, napríklad v prítomnosti horľavých kvapalín, plynov alebo prachu.** Elektrické náradie vytvára iskry, ktoré môžu zapáliť prach alebo výpary.

ELEKTRICKÁ BEZPEČNOSŤ

- **Nevystavujte elektrické náradie dažďu alebo vlhkým podmienkam.** Voda vniknutá do elektrického náradia zvyšuje nebezpečenstvo úrazu elektrickým prúdom.
- **Používajte iba s nabíjačkami a elektrickým náradím uvedenými v časti „ŠPECIFIKÁCIA“.**

POUŽÍVANIE A STAROSTLIVOSŤ O AKUMULÁTORY

- **Pokiaľ akumulátor nepoužívate, držte ho mimo dosahu kovových predmetov, ako sú kancelárske sponky na papier, mince, kľúče, klince, skrutky alebo ďalšie drobné kovové predmety, ktoré môžu spôsobiť vzájomné skratovanie vývodov.** Skratovanie kontaktov akumulátora môže spôsobiť popálenie alebo požiar.
- **V nevhodných podmienkach môže kvapalina unikať z batérie. Zabráňte kontaktu. Pri náhodnom kontakte opláchnite vodou. Pri zasiahnutí očí vyhľadajte lekársku pomoc.** Unikajúca kvapalina z akumulátora môže spôsobiť podráždenie pokožky alebo popálenie.
- **Batériu nerozoberajte, neotvárajte ani nerozrezávajte.**
- **Nevystavujte batériu teplu alebo ohňu.** Neskladujte na priamom slnečnom svetle.
- **Neskratujte článok alebo batériu.** Neskladujte články alebo batérie náhodne v škatuli, či zásuvke, kde môže dôjsť k ich skratovaniu navzájom alebo inými kovovými predmetmi.
- **Batériu nevyberajte z pôvodného obalu skôr, než ju budete potrebovať.**
- **Nevystavujte články alebo batérie mechanickým otrasom**
- **Batériu uschovávajte mimo dosahu detí! Vyhľadajte ihneď lekársku pomoc, ak došlo k prehltnutiu batérie.**

- **Batériu udržiujte čistú a suchú.**
- **Poutierajte znečistené kontakty batérie čistou suchou handričkou.**
- **Náhradnú batériu je potrebné pred použitím nabiť. Vždy používajte správnu nabíjačku.** Pozrite si pokyny výrobcu alebo návod na obsluhu zariadenia pre správne pokyny pre nabíjanie.
- **Nenechávajte batériu dlhšie nabíjať, ak sa nepoužíva.**
- **Po dlhom skladovaní môže byť nutné niekoľkokrát nabiť a vybiť batérie pre získanie maximálneho výkonu.**
- **Odložte si pôvodnú dokumentáciu k výrobku pre neskoršie použitie.**
- **Batériu používajte iba na určený účel.**
- **Pokiaľ je to možné, vyberte batériu zo zariadenia, ak sa nepoužíva.**
- **Zlikvidujte správne.**

Oprava

- **Postupujte podľa pokynov v kapitole Údržba tohto návodu.** Použitie neautorizovaných dielov alebo nedodržanie pokynov na údržbu môže vytvoriť nebezpečenstvo úrazu elektrickým prúdom alebo zranenie.

ŠPECIFICKÉ BEZPEČNOSTNÉ POKYNY

- **Zoznámte sa s vašim elektrickým náradím. Prečítajte si pozorne návod na použitie. Oboznámte sa s použitím a obmedzeniami nástroja, rovnako tiež so špecifickými potenciálnymi rizikami, ktoré súvisia s týmto nástrojom.** Dodržiavanie tohto pravidla zníži riziko úrazu elektrickým prúdom, požiaru alebo vážneho úrazu.
- **Nástroje na batérie nemusia byť zapojené do elektrickej zásuvky; preto sú vždy v prevádzkovom stave. Buďte si vedomí možných rizík, keď sa vaše náradie na batérie nepoužíva.** Pred výmenou príslušenstva vždy vyberte batériu. Dodržiavanie tohto pravidla zníži riziko úrazu elektrickým prúdom, požiaru alebo vážneho úrazu.
- **Nedrvte, nenechajte spadnúť alebo nepoškodzuje akumulátor. Nepoužívajte akumulátor alebo nabíjačku, ktoré spadli na zem, alebo boli vystavené prudkému nárazu.** Poškodený akumulátor môže vybuchnúť. Ihneď správne zlikvidujte spadnutú alebo poškodenú batériu.
- **Neinštalujte batériu na vlhkom alebo mokrom mieste.** Dodržiavanie tohto pravidla zníži riziko úrazu elektrickým prúdom.

SK

- **Pre dosiahnutie najlepších výsledkov je potrebné batérie nabíjať na mieste, kde je teplota vyššia ako 0 ° C a nižšia ako 40 ° C.** Neskladujte vonku alebo vo vozidlách.
- **Nedovoľte benzínu, olejom, ropným produktom atď. prísť do styku s plastovými časťami.** Tieto látky obsahujú chemikálie, ktoré môžu poškodiť, oslabiť alebo zničiť plast.
- **Nechajte váš akumulátor ošetrovať kvalifikovanou osobou s použitím iba identických náhradných dielov.** Tým sa zabezpečí, že bezpečnosť akumulátora zostane zachovaná.
- **Odložte si tieto pokyny.** Používajte ich často a poučte o používaní pokynov aj ostatných, ktorí môžu tento nástroj používať. Ak niekomu požičiate tento nástroj, odovzdajte mu aj tieto pokyny, aby sa zabránilo zneužitiu výrobku a prípadnému zraneniu.

TECHNICKÉ ÚDAJE

Menovité napätie	56V
Max. kapacita	1568Wh
Vhodná nabíjačka	CHX5500E
Nabíjací prúd	Rýchle nabíjanie: 8A Normálne nabíjanie: 4A
Doba nabíjania	Rýchle nabíjanie: Pribl. 3,5hodiny Normálne nabíjanie: Pribl. 7hodín
Vhodné elektrické náradie	LBX6000, HTX6500, BCX3800
Hmotnosť	8,7kg
Určený rozsah okolitej teploty pre vybíjanie	-20°C ~ 40°C

SK

POPIS

ZOZNÁMTE SA S VAŠOU NABÍJAČKOU (obr. A)

1. Kábel
2. Predný štít
3. USB port
4. Prepínač USB/DC
5. 12V jednosmerný port
6. Kontrolka napájania a prepínač
7. Pružina pre upevnenie ramenného popruhu
8. Pružina pre upevnenie remeňového popruhu
9. Servísny kryt poistky
10. Ramenný popruh
11. Rám
12. Sieťovina
13. Opasok
14. Postrój (predáva sa samostatne)
15. Príslušenstvo bočnej opierky (predáva sa samostatne)

OBSLUHA

KONTROLKA NABITIA NA AKUMULÁTORE (obr. B)

Tento lítium-iónový batohový akumulátor je vybavený kontrolkou nabitia, ktorá signalizuje úroveň nabitia alebo chyby akumulátora. Stlačte kontrolku nabitia pre zobrazenie úrovne kapacity, keď sa batéria nenabíja. LED kontrolka bude svietiť po dobu 10 sekúnd.

- V prípade nabíjania môže LED kontrolka zobrazovať nižšie uvedené rozhrania bez stlačenia prepínača.

NABÍJANIE						
Kapacita batérie/chyba	LED					Poznámky
	1	2	3	4	5	
< 20 %	Bliká zelená	Vyp	Vyp	Vyp	Vyp	1 bliká
20 % ≤ Kapacita < 40 %	Zap	Bliká zelená	Vyp	Vyp	Vyp	1 svieti, 1 bliká
40 % ≤ Kapacita < 60 %	Zap	Zap	Bliká zelená	Vyp	Vyp	2 svieti, 1 bliká
60 % ≤ Kapacita < 80 %	Zap	Zap	Zap	Bliká zelená	Vyp	3 svieti, 1 bliká
80 % ≤ Kapacita < 100 %	Zap	Zap	Zap	Zap	Bliká zelená	4 svieti, 1 bliká
Kapacita = 100 % (úplne nabitá)	Zap	Zap	Zap	Zap	Zap	5 svieti niekoľko minút, potom zhasne
Batéria sa nedá nabíjať	Vyp	Vyp	Vyp	Vyp	Vyp	Všetkých 5 LED kontroliek nesvieti
Nadmerná teplota batérie	Vyp	Vyp	Vyp	Vyp	Vyp	Všetkých 5 LED kontroliek nesvieti

Ak sa batohový akumulátor vybije alebo zostane nevyužitý, **STLAČTE PREPÍNAČ**. LED kontrolka zobrazí iné rozhranie než nabíjacie, ako je uvedené nižšie.

VYBÍJANIE/NEPOUŽÍVA SA						
Kapacita batérie/chyba	LED					Poznámky
	1	2	3	4	5	
80 % < Kapacita ≤ 100 %	Zap	Zap	Zap	Zap	Zap	5 LED svieti 10 sekúnd po stlačení tlačidla
60 % < Kapacita ≤ 80 %	Zap	Zap	Zap	Zap	Vyp	4 LED svieti 10 sekúnd po stlačení tlačidla
40 % < Kapacita ≤ 60 %	Zap	Zap	Zap	Vyp	Vyp	3 LED svieti 10 sekúnd po stlačení tlačidla
20 % < Kapacita ≤ 40 %	Zap	Zap	Vyp	Vyp	Vyp	2 LED svieti 10 sekúnd po stlačení tlačidla
10 % < Kapacita ≤ 20 %	Zap	Vyp	Vyp	Vyp	Vyp	1 LED svieti 10 sekúnd po stlačení tlačidla
≤ 10 %	Bliká zelená	Vyp	Vyp	Vyp	Vyp	1 LED bliká 10 sekúnd po stlačení tlačidla
Pod napätím (< 2,7 V)	Blikajúca červená	Blikajúca červená	Blikajúca červená	Blikajúca červená	Blikajúca červená	5 červených kontroliek bliká 10 sekúnd po stlačení tlačidla
Nadmerná teplota batérie	Svietiaca červená	Svietiaca červená	Svietiaca červená	Svietiaca červená	Svietiaca červená	5 červených kontroliek svieti 10 sekúnd po stlačení tlačidla

SK

OCHRANA BATÉRIE

Obvod akumulátora chráni akumulátor pred extrémnymi teplotami, prílišným vybitím a nabitím. Z dôvodu ochrany akumulátora pred poškodením a pre predĺženie jeho životnosti vypne obvod akumulátora akumulátor, ak dôjde k jeho preťaženiu, alebo je teplota pri použití príliš vysoká alebo nízka. K tomu môže dôjsť pri extrémne vysokom krútiacom momente, zaseknutí alebo preťažení.

- V prípade nabíjania sa akumulátor vypne, keď všetkých 5 LED kontroliek zhasne, teplota prekročí 60 ° C alebo klesne pod 0 ° C. Keď sa teplota vráti späť do normálu do 90 minút, batéria sa automaticky vráti do prevádzky. V opačnom prípade sa batéria vypne. Znovu zasunúť zástrčku do nabíjačky a aktivujte nabíjanie.
- Akumulátor sa tiež vypne a všetkých 5 LED zhasne, keď napätie článku batérie prekročí jeho ochranné napätie. Odporúčame okamžite vybiť akumulátor. Ak sa tento problém mnohokrát opakuje, kontaktujte servisné stredisko spoločnosti EGO.
- Keď teplota akumulátora v prípade vybijania presiahne 70°C alebo klesne pod -20°C, akumulátor sa po stlačení tlačidla vypne a 5 LED svietí červeno po dobu 10 sekúnd. Akumulátor sa vráti do prevádzky, keď sa obnoví normálna teplota a bude možné reštartovať elektrické náradie.
- Ak je napätie článku batérie menšie ako 2,7 V, akumulátor sa vypne a 5 LED blikajú červeno po dobu 10 sekúnd po stlačení tlačidla. Odporúčame okamžite zastaviť prácu a ihneď nabiť akumulátor. Ak sa tento problém veľakrát opakuje, kontaktujte servisné stredisko.

SK

VAROVANIE: Za žiadnych okolností nesmiete ohrievať akumulátor.

NABÍJANIE AKUMULÁTORA

Akumulátor sa dodáva čiastočne nabitý. Pred prvým použitím sa musí nabiť.

VAROVANIE: Akumulátor nenabíjajte vonku a nevystavujte ho mokrým alebo vlhkým podmienkam. Voda, ktorá vnikne do akumulátora, zvyšuje nebezpečenstvo úrazu elektrickým prúdom. Ďalšie podrobnosti nájdete v Návode na obsluhu nabíjačky EGO CHX5500E.

1. Zapojte nabíjačku do elektrickej siete (220 - 240 V~, 50 Hz).
2. Vložte zástrčku akumulátora do nabíjačky.

3. Keď sa akumulátor normálne nabíja, bude zelená kontrolka LED1 na nabíjačke blikať. Po stlačení zeleného tlačidla na aspoň 1 s sa normálne nabíjanie (nabíjací prúd 4A) zmení na rýchle nabíjanie (nabíjací prúd 8A) a zelená kontrolka LED2 na nabíjačke bude blikať a LED1 sa vypne.
4. Keď 5 LED na akumulátore svietia zeleno, znamená to, že akumulátor je úplne nabitý. Počkajte, kým sa chladiaci ventilátor nabíjačky zastaví, vyberte akumulátor z nabíjačky a odpojte ju z elektrickej siete.

POZNÁMKA:

- Ak akumulátor zostane v nabíjačke, úplne sa nabije, avšak nebude sa prebijať.
- Postupujte podľa pokynov v návode na obsluhu nabíjačky EGO CHX5500E.
- Výrazne skrátená doba chodu po plnom nabití akumulátora znamená, že batérie sú takmer na konci svojej životnosti a musia byť vymenené.
- Ak ste konektor celkom nezasunuli na jeho miesto, LED kontrolky nabíjačky budú nepretržite blikať.
- Nabíjačka sa môže počas nabíjania zahrievať. To je súčasť bežnej prevádzky nabíjačky. Nabíjajte v dobre vetranom priestore.

USB/12V DC

Odkryte gumové krytky a vložte konektory USB/DC do portov USB/DC (obr. C a D). Potom stlačte tlačidlo USB/DC, akumulátor bude napájať zariadenie cez USB alebo DC porty.

C-1	Gumové krytky	D-2	12V jednosmerný napájací port
D-1	USB port	D-3	Prepínač USB/DC

POZNÁMKA:

- Funkcie napájania USB a 12V DC môžu súčasne pracovať s 56 V napájacím zdrojom. Po použití USB / 12V DC vytiahnite zástrčky USB/DC a vráťte gumové krytky na miesto.
- Nepoužívajte USB / 12V DC pri nabíjaní akumulátora.

PRIPOJENIE A ODPOJENIE POSTROJA NA BATÉRII

Pripojenie

Zarovnajte štyri vonkajšie časti na ráme s montážnymi drážkami a spojte polohovacie rebro remeňa s fixačnou pružinou remeňa. Potom posuňte postroj, kým nedôjde ku kliknutiu. (obr. E).

E-1	Montážna drážka	E-3	Polohovacia štrbina remeňa
E-2	Polohovacia štrbina na ráme		

Odpojenie

Stlačte obe uvoľňovacie tlačidlá na postroji za rámom a vysuňte postroj (obr. F).

INŠTALÁCIA AKUMULÁTORA

Pri bežnom používaní sa akumulátor s postrojom nosí na chrbte. Aby sa zabránilo únave a aby bola práca pohodlná, je postroj vybavený remeňovým a ramenným kĺbom, ktoré zaručujú voľný pohyb.

Dĺžku pásu brušného remeňa a ramenných popruhov je možné voľne nastaviť. Chrbtový vankúš by mal pevne a bezpečne dosadať na váš chrbát.

- Pred bežnou prácou nastavte dĺžku remeňa a ramenného popruhu tak, aby ste sa cítili pohodlne. Dĺžka by mala zodpovedať veľkosti tela cez brušný remeň a ramenný popruh.
- Vložte obe časti remeňovej spony a hrudnej pracky do seba, kým nedôjde ku kliknutiu (obr. G a H).
- Upravte výšku hrudnej pracky, aby ste sa cítili pohodlne (obr. I).
- Zmeňte dĺžku remeňového a hrudného popruhu.
- Zvyšnú časť popruhu okolo pásu zasuňte do gumičky (obr. J).

PRIPOJENIE A ODPOJENIE AKUMULÁTORA

Pred prvým použitím akumulátor nabite.

Kábel akumulátora vedte okolo boku tela a pripojte elektrické náradie na 1,5 m prepojovací kábel. Postupujte podľa pokynov v návode pre elektrické náradie.

Inštalácia (obr. K)

Zasuňte zástrčku so zarovnaným logom ▲ na zástrčke a elektrickom náradí, kým sa zelené tesnenie celkom nezasunie do zásuvky.

Odstránenie

Vytiahnite zástrčku z elektrického náradia.

VAROVANIE: Ak dôjde núdzovej situácii, okamžite si odopnite popruh zo svojho ramena. Najrýchlejšia metóda uvoľnenia je uvoľnenie pracky popruhu a remeňa a vyvlečenie sa z postroja na oboch stranách.

VAROVANIE: Neufahajte si veľmi ramenné popruhy, pretože by potom mohlo byť náročné zložiť si akumulátor.

VAROVANIE: Pouze určité výrobky EGO odpovedajú baterii, ktorá je uvedená v časti „SPECIFIKACE“. Doporučujeme, aby ste baterii nepoužívali na jiné elektrické náradí.

ÚDRŽBA

VAROVANIE: Akumulátor musí byť opravený alebo vymenený technikmi v kvalifikovanom servisnom stredisku EGO.

VAROVANIE: Pri výmene príslušenstva, čistení alebo vykonávaní údržby vždy vyberte akumulátor z nástroja, aby nedošlo k vážnemu zraneniu.

VAROVANIE: Pri servise používajte iba identické náhradné diely EGO. Použitie iných častí môže vyvolať nebezpečenstvo, alebo spôsobiť poškodenie výrobku.

VAROVANIE: Ak čistenie pomocou stlačeného vzduchu je jediný spôsob, ktorý je možné použiť, vždy si nasadte ochranné okuliare alebo ochranné okuliare s postrannými krytmi. V prašnom prostredí si tiež nasadte masku proti prachu.

CELKOVÁ ÚDRŽBA

Na čistenie plastových dielov nepoužívajte rozpúšťadlá. Väčšina plastov je náchylná na poškodenie z rôznych typov komerčných rozpúšťadiel a môžu sa poškodiť, ak sa použijú. Použite čisté handry na odstránenie nečistôt, prachu, oleja, maziva, atď.

VAROVANIE: Nikdy nedovoľte, aby brzdové kvapaliny, benzín, ropné výrobky, penetračné oleje atď., prišli do styku s plastovými časťami. Chemické látky môžu poškodiť, oslabiť alebo zničiť plast, čo môže viesť k vážnemu zraneniu.

BATÉRIE

Akumulátor nerozoberajte ani sa nepokúšajte vymeniť jednotlivé články. Manipulácia s batériami, zvlášť keď máte nasadené prstene a šperky, môže viesť k vážnemu popáleniu. Ak chcete získať čo najdlhšiu životnosť batérie, prečítajte si a pochopte návod na obsluhu.

VAROVANIE: Osvedčeným postupom je odpojiť nabíjačku a vybrať akumulátor, ak sa nepoužíva.

ODSTRÁNENIE AKUMULÁTORA A PRÍPRAVA NA RECYKLÁCIU



Li-ion

Nevyhadzujte nabíjačku batérií a batérie/akumulátory do domového odpadu! Podľa európskej smernice 2012/19/EU elektrické a elektronické zariadenia, ktoré už nie sú použiteľné a podľa európskej smernice 2006/66/EC chybné alebo použité akumulátory/batérie sa musia zhromažďovať oddelene a zlikvidovať ekologicky správnym spôsobom.

Poradte sa na svojom miestnom úrade ohľadne likvidácie odpadu a získajte informácie o dostupných možnostiach recyklácie a / alebo likvidácie.

VAROVANIE: Po vybratí akumulátora na likvidáciu alebo recykláciu prekryte svorky akumulátora odolnou lepiacou páskou. Nepokúšajte sa zničiť alebo rozoberať akumulátor, či odstrániť niektorú z jeho súčastí. Litium-iónové batérie musia byť správne recyklované alebo zlikvidované. Tiež sa nikdy nedotýkajte svoriek s kovovými predmetmi a/alebo časťami tela, pretože by mohlo dôjsť ku skratu. Uschovajte mimo dosahu detí. Nedodržanie týchto varovaní môže viesť k požiaru a/alebo vážnemu zraneniu.

ODSTRAŇOVANIE PROBLÉMOV

PROBLÉM	PRÍČINA	RIEŠENIE
Elektrické náradie nefunguje	<ul style="list-style-type: none">■ Žiadny elektrický kontakt medzi elektrickým náradím a batériou.■ Akumulátor je vybitý.■ Akumulátor alebo elektrické náradie hlava sú príliš horúce.■ Kábel alebo zástrčka sú mimo prevádzku.■ Napätie článku batérie je nižšie ako 2,7 V.	<ul style="list-style-type: none">■ Pripojte akumulátor na elektrické náradie.■ Nabite akumulátor.■ Nechajte vychladnúť akumulátor alebo elektrické náradie, kým teplota neklesne pod 67 ° C.■ Kontaktujte servisné stredisko EGO.■ Ihneď nabite akumulátor.
Akumulátor sa nedá nabiť	<ul style="list-style-type: none">■ Teplota batérie je vyššia alebo nižšia ako určená hodnota.■ Bez elektrického kontaktu medzi batériou a nabíjačkou.■ Pripojenie medzi nabíjačkou a napájacím zdrojom je chybné.	<ul style="list-style-type: none">■ Zastavte nabíjanie alebo vybijanie, kým sa teplota nestane normálna.■ Vložte akumulátor do nabíjačky.■ Pripojte zástrčku nabíjačky do napájacieho zdroja.

ZÁRUKA

ZÁRUČNÁ POLITIKA EGO

Navštívte webové stránky egopowerplus.com pre úplné podmienky záručnej politiky spoločnosti EGO.

SK

OLVASSA EL A HASZNÁLATI ÚTMUTATÓT



OLVASSA EL AZ ÖSSZES UTASÍTÁST!

⚠ Maradék kockázat! Az elektronikus készülékekkel, például pacemakerrel, élő emberek a termék használata előtt kérjék ki orvos véleményét. Az elektromos felszerelés a szív pacemakerhez közel való működtetése interferenciát vagy meghibásodást okozhat a pacemakerben.

⚠ FIGYELEM: A biztonságosság és megbízhatóság biztosítása érdekében minden javítást és cserét szakképzett szerviztechnikus hajtson végre.

BIZTONSÁGI SZIMBÓLUMOK

A biztonsági szimbólumok célja, hogy felhívják a figyelmet az esetleges veszélyekre. Nagyon figyeljen a biztonsági szimbólumokra és magyarázatokra, ill. ezek megértésére. A szimbólumok figyelmeztetései önmagukban nem hártják el a veszélyeket. Az utasítások és figyelmeztetések nem helyettesítik a megfelelő balesetmegelőző intézkedéseket.

⚠ FIGYELMEZTETÉS: A szerszám használata előtt feltétlenül olvassa el a jelen használati útmutató minden biztonsági utasítását, a „VESZÉLY”, „FIGYELMEZTETÉS” és „FIGYELEM” biztonsági szimbólumokat is. Az alább felsorolt utasítások be nem tartása áramütést, tűzveszélyt és/vagy súlyos személyi sérülést idézhet elő.

⚠ FIGYELEM: Tűz- és égésveszély. Ne szerelje szét, ne tegye ki 100 °C-nál magasabb hőnek, és ne dobja tűzbe. Az akkumulátoregységet tartsa távol gyermekektől, és tartsa az eredeti csomagolásban, amíg használni nem kezd. Az elhasznált akkumulátoregységet a helyi újrahasznosítási szabályoknak megfelelően ártalmatlanítsa.

BIZTONSÁGI UTASÍTÁSOK

Ezen az oldalon olyan biztonsági szimbólumok láthatók és olvashatók, amelyek megjelenhetnek a terméken. Az összeszerelés vagy működtetés előtt olvassa el, értse meg és tartsa be a gép minden utasítását.

	Biztonsági figyelmeztetés	Potenciális személyi sérülés veszélyét jelzi.
	Prečitajte si návod na obsluhu	A sérülések kockázatának csökkentése érdekében a használónak a termék használata előtt el kell olvasnia, és meg kell értenie a használati útmutatót.
	Symboly recyklácie	Az akkumulátoregységet/akkumulátort ne dobja a háztartási hulladékok közé, tűzbe vagy vízbe. Az akkumulátoregységet/akkumulátort össze kell gyűjteni, újra kell hasznosítani vagy környezetbarát módon ártalmatlanítani kell.
	CE	A termék megfelel az érvényes EK irányelveknek.
	WEEE	Az elhasznált elektromos termékek nem helyezhetők a háztartási hulladék közé. Vigye hivatalos újrahasznosító telephelyre.

V	Volt	Feszültség
A	Ampéry	Aktuális
W	Watt	Teljesítmény
min	Minúty	Idő
	Jednosmerný prúd	Áram típusa vagy jellemzői

▲ FIGYELEM: Olvassa el és értse meg az utasításokat. Az utasítások be nem tartása áramütést, tűzveszélyt és/vagy súlyos sérülést idézhet elő. Az „elektromos kéziszerszám” fogalom a legtöbb figyelmeztetésben az EGO Power+ akkumulátorral működtetett (vezeték nélküli) Lawn & Garden gépre vonatkozik.

MUNKATERÜLET BIZTONSÁG

- **A munkaterület legyen tiszta és jól megvilágított.** A munkahelyen uralkodó rendetlenségnek vagy a rossz megvilágításnak baleset lehet a következménye.
- **Ne használjon elektromos szerszámokat robbanási veszélynek kitétt környezetben, például olyan helyen, ahol éghető folyadékok, gázok vagy porok találhatóak.** Az elektromos kéziszerszámok szikrákat képeznek, amelyek meggyújthatják a porokat vagy gázokat.

ELEKTROMOS BIZTONSÁG

- **Ne tegye ki az elektromos kéziszerszámot esőnek vagy nedves környezetnek.** Az elektromos kéziszerszámba bekerülő víz megnöveli az áramütés kockázatát.
- **Kizárólag a „JELLEMZŐK” fejezetben megadott töltőkkel és elektromos szerszámokkal használja.**

AZ AKKUMULÁTOREGYSÉGGEL MŰKÖDŐ SZERSZÁM ÜZEMELTETÉSE ÉS GONDOZÁSA

- **Amikor nem használja az akkumulátoregységet, tartsa távol más fémtárgyaktól, például gemkapocs, érmék, kulcsok, tűk, csavarok vagy más kis fémtárgyak, amelyek kapcsolatba léphetnek vele.** Amennyiben együtt tartja az akkumulátorokat, az égési sérülést vagy tüzet okozhat.
- **Nem megfelelő körülmények között folyadék szívároghat az akkumulátorból; ne érjen ehhez.** Amennyiben véletlenül hozzárne, mossa le vízzel. Ha ez a folyadék szembe kerül, kiegészítőleg forduljon orvoshoz. Az akkumulátorból kiszivárgó folyadék irritációt vagy égést okozhat.
- **Ne szerelje szét, ne nyissa ki, és ne darabolja fel az újratölthető akkumulátort.**
- **Ne tegye ki az akkumulátort hőnek vagy tűznek.** Ne tárolja közvetlen napfénynek kitéve.

- **Ne zárja rövidre az akkumulátort vagy akkumulátort.** Ne tárolja az akkumulátorokat vagy akkumulátorokat öltetszerűen olyan dobozban vagy fiókban, ahol egymást rövidre zárhatják, vagy egyéb fémes tárgyak rövidre zárhatják őket.
- **Ne vegye ki az akkumulátort az eredeti csomagolásból, amíg használni nem kezdi.**
- **Ne tegye ki az akkumulátorokat vagy akkumulátorokat mechanikai rázkódásnak.**
- **Gyermekektől elzárva tárolja az akkumulátort.** Azonnal forduljon orvoshoz, ha lenyelte az akkumulátort.
- **Tartsa tisztán és szárazon az akkumulátort.**
- **Ha az akkumulátorok piszkossá válnak, akkor törölje tisztára őket egy tiszta és száraz ruhával.**
- **A másodlagos akkumulátorokat nem kell feltölteni használat előtt.** Mindig használjon megfelelő töltőt, és olvassa el a gyártó utasításait a megfelelő töltéshez.
- **Ne töltsé hosszán az akkumulátort, amikor nincs használatban.**
- **Hosszabb tárolás után esetleg többször fel kell tölteni, és le kell meríteni az akkumulátorokat a maximális teljesítmény elérése érdekében.**
- **Tegye el az eredeti termékleírás későbbi tájékozódás céljából.**
- **Csak abban az alkalmazásban használja az akkumulátort, amelyhez tervezték.**
- **Ha lehetséges, vegye ki az akkumulátort a készülékből, amikor az nincs használatban.**
- **Megfelelően ártalmatlanítsa.**

SZERVIZ

- **Kövesse a jelen használati utasítás Karbantartás fejezetét.** Nem engedélyezett alkatrészek használata vagy a karbantartási utasítások be nem tartása áramütés vagy sérülés veszélyét okozhatja.

SPECIÁLIS BIZTONSÁGI SZABÁLYOK

- **Ismerje meg az elektromos készüléket Alaposan olvassa el a használati útmutatót Ismerje meg az alkalmazásokat és korlátozásokat, valamint a szerszámhoz kapcsolódó, speciális, potenciális veszélyeket.** A szabályok követése csökkenti az áramütés, tűz vagy súlyos sérülés kockázatát.
- **Az akkumulátorral működő szerszámokat nem kell hálózati aljzathoz csatlakoztatni; ezért mindig működőképes állapotban vannak. Ügyeljen a lehetséges veszélyekre, amikor nem használja az akkumulátorral működő szerszámot.** Mindig vegye ki az akkumulátort a tartozékok feltöltése előtt. A szabályok követése csökkenti az áramütés, tűz vagy súlyos személyi sérülés kockázatát.

- **Ne zúzza, ejtse le, és ne rongálja meg az akkumulátoregységet. Ne használja az olyan akkumulátoregységet vagy a töltőt, amely leesezt vagy éles tárgyba ütődött.** A sérült akkumulátor fellobbanhat. A leesezt vagy sérült akkumulátort azonnal ártalmatlanítsa.
- **Ne töltsze az akkumulátort nyirkos vagy nedves helyen.** A szabályok követése csökkenti az áramütés kockázatát.
- **A legjobb eredmény elérése érdekében az akkumulátort olyan helyiségben töltsze, ahol a hőmérséklet 0 °C-nál magasabb és 40 °C-nál alacsonyabb.** Ne tárolja kültéren vagy járművekben.
- **Benzin, olaj, petróleum alapú termékek stb. ne érintkezzenek a műanyag alkatrészekkel.** Ezek az anyagok olyan vegyszereket tartalmaznak, amelyek megromolhatják, gyengíthetik vagy megsemmisítik a műanyagot.
- Az akkumulátoregységet szakképzett személlyel, eredeti cserealkatrész felhasználásával javíttassa meg. Ezzel biztosítja az akkumulátoregység biztonságának fenntartását.
- **Őrizze meg ezeket az utasításokat.** Időnként olvassa át, és használja, amikor másokat a kéziszerszám használatára tanít be. Ha valakinek kölcsön adja a szerszámot, akkor adja át a használati utasítást is a helytelen használat és lehetséges sérülések elkerülése érdekében.

MŰSZAKI LEÍRÁS

HU

Névleges feszültség	56V
Max. kapacitás	1568Wh
Párosított töltő	CHX5500E
Töltési feszültség	Gyors töltés: 8A Normál töltés: 4A
Töltési idő	Gyors töltés: körülbelül 3,5óra Normál töltés: körülbelül 7óra
Párosított elektromos kéziszerszámok	LBX6000, HTX6500, BCX3800
Súly	8,7kg
Meghatározott környezeti hőmérséklet-tartomány a lemerüléshez	-20°C ~ 40°C

EÍRÁS

ISMERJE MEG AZ AKKUMULÁTOREGYSÉGET

(A. ábra)

1. Kábel
2. Fogantyú
3. USB port
4. USB/DC kapcsoló
5. 12 DC interfész
6. Működésjelző lámpa és kapcsoló
7. Vállszij rögzítő rugó
8. Rögzítősíj rögzítő rugó
9. Biztosíték szerviz burkolat
10. Vállszij
11. Váz
12. Háló
13. Szij
14. Heveder (külön kapható)
15. Csipővédő párna tartozék (külön kapható)

MŰKÖDTETÉS

TELJESÍTMÉNYJELZŐ AZ AKKUMULÁTOREGYSÉGEN (B ábra)

A lítium-ion hordozható akkumulátor teljesítményjelzővel van felszerelve, amely a töltési kapacitás szintjét és az akkumulátoregység hibáját jelzi. Nyomja meg a működésjelző lámpát a kapacitás szintjének kijelzéséhez, amikor az akkumulátor nincs töltés alatt. A LED jelzőlámpa 10 másodpercig világít.

- Töltés alatt a LED jelzőlámpa különböző, lent megadott interfészeket jelezhet ki a kapcsoló megnyomása nélkül.

TÖLTÉS						
Akkumulátor teljesítménye/hiba	LED-ek					Megjegyzések
	1	2	3	4	5	
< 20%	Villogó zöld	Ki	Ki	Ki	Ki	1 villog
20% és 40% között	Be	Villogó zöld	Ki	Ki	Ki	1 be, 1 villog
40% és 60% között	Be	Be	Villogó zöld	Ki	Ki	2 be, 1 villog
60% és 80% között	Be	Be	Be	Villogó zöld	Ki	3 be, 1 villog
80% és 100% között	Be	Be	Be	Be	Villogó zöld	4 be, 1 villog
Kapacitás = 100% (teljesen feltöltve)	Be	Be	Be	Be	Be	5 be néhány percig, majd kikapcsol
Az akkumulátort nem lehet feltölteni	Ki	Ki	Ki	Ki	Ki	Mind az 5 LED lámpa kikapcsol
Az akkumulátor túlmelegedése	Ki	Ki	Ki	Ki	Ki	Mind az 5 LED lámpa kikapcsol

Amikor a hordozható akkumulátor merülőben van, vagy nem használják, **NYOMJA MEG A KAPCSOLÓ GOMBOT**, a LED jelzőlámpa a töltőtől eltérő interfészeket mutat a lent látható módon.

LEMERÜLÉS/NINCS HASZNÁLATBAN						
Akkumulátor teljesítménye/hiba	LED-ek					Megjegyzések
	1	2	3	4	5	
80% < kapacitás ≤ 100%	Be	Be	Be	Be	Be	5 LED 10 másodpercig világít a gomb megnyomása után
60% < kapacitás ≤ 80%	Be	Be	Be	Be	Ki	4 LED 10 másodpercig világít a gomb megnyomása után
40% < kapacitás ≤ 60%	Be	Be	Be	Ki	Ki	3 LED 10 másodpercig világít a gomb megnyomása után
20% < kapacitás ≤ 40%	Be	Be	Ki	Ki	Ki	2 LED 10 másodpercig világít a gomb megnyomása után
10% < kapacitás ≤ 20%	Be	Ki	Ki	Ki	Ki	1 LED 10 másodpercig világít a gomb megnyomása után
< 10%	Villogó zöld	Ki	Ki	Ki	Ki	1 LED 10 másodpercig villog a gomb megnyomása után
Feszültséghiány (< 2,7 V)	Pirosan villog	Pirosan villog	Pirosan villog	Pirosan villog	Pirosan villog	5 LED 10 másodpercig világít a gomb megnyomása után
Az akkumulátor túlmelegedése	Pirosan világít	Pirosan világít	Pirosan világít	Pirosan világít	Pirosan világít	5 LED 10 másodpercig be a gomb megnyomása után

HU

AKKUMULÁTOR VÉDELEM

Az akkumulátor áramkör megvédi az akkumulátoregységet a szélsőséges hőmérséklettelől, a túlzott lemerüléstől és a túltöltéstől. Az akkumulátor áramkör kapcsolja az akkumulátoregységet, ha túltöltik, vagy ha a hőmérséklete túl magas vagy túl alacsony lenne használat közben, hogy megvédje az akkumulátort a sérülésektől, és hosszabb élettartamú legyen. Ez extrém magas forgatónyomaték, dugulás és akadozás esetén fordulhat elő.

- Töltésnél az akkumulátoregység és mind az 5 LED kikapcsol, ha a hőmérséklete meghaladja a 60 °C-ot, vagy 0 °C alá esik. Ha a hőmérséklet 90 percen belül visszaáll a normál állapotra, akkor az akkumulátoregység automatikusan működni kezd. Egyéb esetben akkumulátor kikapcsol, és ha visszadugja a csatlakozódugót a töltőbe, akkor az újra aktiválhatja a töltést.
- Az akkumulátoregység akkor is kikapcsol mind az 5 LED-del együtt, ha akkumulátor feszültsége meghaladja a védőfeszültséget. Javasoljuk, hogy azonnal merítse le az akkumulátoregységet. Ha ez a probléma többször megismétlődik, akkor kérjük, vegye fel a kapcsolatot az EGO szervizközponttal.
- Merülés alatt, amikor az akkumulátoregység hőmérséklete meghaladja a 70°C-ot, vagy -20°C alá esik, akkor az akkumulátoregység kikapcsol, és az 5 LED pirosan világít 10 másodpercig a gomb megnyomása után. Az akkumulátoregység újból működni kezd mindkét állapotban, ha visszatér a normál hőmérséklet, és az elektromos szerszám újból elindul.
- Ha az akkumulátoregység feszültsége 2,7 V-nál kevesebb, akkor az akkumulátoregység kikapcsol, és a 5 LED pirosan villog 10 másodpercig a gomb megnyomása után. Javasoljuk, hogy hagyja abba a munkát, és azonnal töltsen fel az akkumulátoregységet. Ha ez a probléma többször megismétlődik, kérjük, forduljon a szakszerviz szakemberhez segítségért.

▲ FIGYELEM: Soha, semmilyen körülmények között ne melegítse fel az akkumulátoregységet.

AKKUMULÁTOREGYSÉG FELTÖLTÉSE

Az akkumulátoregységet részben feltöltve szállítjuk. Az elemeltöltő használat előtt töltsen fel az akkumulátort.

▲ FIGYELEM: Ne töltsen az akkumulátoregységet szabadféren, és ne tegye ki nedves vagy nyirkos körülményeknek. A töltőbe vagy akkumulátoregységbe kerülő víz megnöveli az áramütés veszélyét. Minden további részletet kérjük, olvasson el az EGO CHX5500E töltő használati útmutatójában.

1. Csatlakoztassa a töltőt a hálózati aljzathoz (220-240V~50Hz).
2. Dugja az akkumulátor csatlakozódugóját az aljzatba.
3. Amikor az akkumulátoregység normál töltés alatt van, a töltőn lévő zöld LED1 villog. Ha a zöld gombot legalább 1 másodpercig nyomja, akkor a normál töltés (töltési feszültség 4A) átvált gyors töltésre (töltési feszültség 8A), és a töltőn a zöld LED2 villog, a LED1 elalszik.
4. Az akkumulátoregység 5 LED-je folyamatosan zölden világít, ami azt jelenti, hogy az akkumulátoregység teljesen feltöltődött. Várjon, amíg a töltő hűtőventilátora leáll, vegye le az akkumulátoregységet a töltőről, és húzza ki a töltőt a hálózati aljzattól.

MEGJEGYZÉS:

- Az akkumulátoregység teljesen feltöltődik a töltőn, de nem töltődik túl.
- Kövesse az EGO CHX5500E töltő használati útmutató útmutatójának utasításait.
- Ha a működési idő teljes feltöltés után jelentősen csökken, akkor az azt jelzi, hogy az akkumulátor majdnem elérte a használhatóságának végét, és ki kell cserélni.
- Ha nem megfelelően csatlakoztatta a csatlakozódugót a helyére, akkor a töltésjelző lámpa LED-je folyamatosan villog.
- A töltő töltés közben felmelegszik. Ez a töltő normál működésének része. Jól szellőztetett helyiségben töltsen fel.

USB/12V DC

Vegye le a gumi burkolatokat, és helyezze be az USB/DC csatlakozódugókat az USB/DC portokba (C és D ábra). Majd nyomja meg az USB/DC kapcsolót, az akkumulátoregység ellátja a csatlakoztatott készülékeket az akkumulátoregységgel az USB vagy DC porton keresztül.

C-1	Gumi burkolatok	D-2	12V DC port
D-1	USB port	D-3	USB/DC kapcsoló

MEGJEGYZÉS:

- Az USB funkciói és a 12V DC ellátás 56 V tápforrással egyidejűleg tud működni. Az USB/12V DC használata után húzza ki az USB/DC csatlakozókat, és helyezze vissza a gumi burkolatokat a helyükre.
- Ne használja az USB/12V DC-t az akkumulátoregység töltése alatt.

HEVEDER FELHELYEZÉSE AZ AKKUMULÁTOREGYSÉGRE/LEVÉTELE AZ AKKUMULÁTOREGYSÉGRŐL

Csatlakoztatás

Illesze a kereten lévő négy kiugró részt a szerelési hornyokhoz, és csatlakoztassa a bordát a szíjon a szíj rögzítő rugóhoz. Majd csúsztassa fel a hevedert, amíg kattantást nem hall. (E ábra).

E-1	Szerelési horny	E-3	Szíj nyílás
E-2	Keret nyílás		

Levétele

Nyomja meg a két kioldógombot a hevederen a keret mögött, és csúsztassa ki a hevedert (F ábra).

AZ AKKUMULÁTOREGYSÉG FELHELYEZÉSE

Normál működésben az akkumulátoregységet a hevederrel a hátán viszi az ember. A fáradás elkerülése és a kényelmes munka érdekében a heveder kapoccsal és a vállszíj kapoccsal van felszerelve, amely mozgásszabadságot biztosít.

A szíj és vállszíj hossza szabadon beállítható. A hátpárnának erősen és biztonságosan kell illeszkednie a háthoz.

- Állítsa be a szíj és vállszíj hosszát a normál munka megkezdése előtt, hogy kényelmes legyen Önnek, a hosszt a testméretéhez illesse a heveder kapocs és vállszíj kapocs segítségével.
- Illesse egymásba a szíj csatját és a mellkas csatot, amíg kattantást nem hall (G és H ábra).
- Állítsa be a mellkas csat magasságát, hogy Önnek kényelmes legyen (I ábra).
- Állítsa be a szíj hosszúságát és a mellkas csatot.
- A felesleges szíjat tekerje a derekán, és a mellkas csatot a rugalmas tartóba (J ábra).

AZ AKKUMULÁTOREGYSÉG BEHELYEZÉSE ÉS KIVÉTELE

Feltöltés az első használat előtt

Vezesse az akkumulátoregység kábelt az egység oldalán, és csatlakoztassa az elektromos kéziszerszámot a 1,5 m-es csatlakozókábelhez. Kövesse az elektromos kéziszerszám használati útmutatójának utasításait a további részletek érdekében.

Felhelyezés (K ábra)

A csatlakozódugón és az elektromos kéziszerszámon lévő ▲ logó összeillesztésével csatlakoztassa a csatlakozódugót az elektromos kéziszerszámhoz, amíg a zöld tömítőgyűrű teljesen el nem tűnik az aljzatban.

Levétele

Húzza ki a csatlakozódugót az elektromos kéziszerszámból.

▲ FIGYELEM: Amennyiben vészhelyzet adódik, akkor azonnal vegye le az akkumulátoregységet a válláról. Oldja ki a szíjat és a mellkas csatot, majd vegye le a vállszíjat mindkét oldalon a gyorskioldó módszerrel.

▲ FIGYELEM: Ne húzza túl a vállszíjakat, mivel akkor nehéz levenni az akkumulátoregységet.

▲ FIGYELEM: Csak bizonyos EGO termékekhez megfelelő az akkumulátoregység, amelyek a „JELLEMZŐK” fejezetben vannak felsorolva. Javasoljuk, hogy ne használja az akkumulátoregységet más elektromos kéziszerszámokkal.

KARBANTARTÁS

▲ FIGYELEM: Az akkumulátoregység javítását vagy cseréjét az EGO megbízott szervizállomásain és szakképzett szerviz technikusoknak szabad elvégeznie.

▲ FIGYELEM: A súlyos személyi sérülések elkerülése érdekében mindig vegye ki az akkumulátoregységet a szerszámból a tartozékok tisztítása, tisztítás vagy karbantartás alatt.

▲ FIGYELEM: Javításkor használjon azonos EGO pótalkatrészeket. Más alkatrészek használata veszélyt okozhat, vagy megrongálhatja a terméket.

▲ FIGYELEM: Ha csak sűrített levegővel lehet megtisztítani, akkor mindig viseljen védőszemüveget vagy oldalsó védőlemezrel ellátott védőszemüveget. Ha működtetés közben por keletkezik, akkor viseljen porvédő maszkot is.

ÁLTALÁNOS KARBANTARTÁS

A műanyag alkatrészek tisztításához ne használjon oldószereket. A legtöbb műanyag a vegyi oldószerek által deformálódás általi sérülésnek van kitéve, ezek megrongálhatják őket. Használjon tiszta ruhát a szennyeződés, por, olaj, zsír stb. eltávolításához.

▲ FIGYELMEZTETÉS: Fékolaj, benzin, petróleum alapú termékek, behatoló olajok stb. soha ne érintkezzenek a műanyag alkatrészekkel. A vegyszerek megrongálhatják, gyengíthetik vagy megsemmisíthetik a műanyagot, amely súlyos személyi sérülést okozhat.

AKKUMULÁTOROK

Ne szerelje szét az akkumulátoregységet, és ne próbálja meg kicserélni az akkumulátorokat. Az akkumulátorok kezelése súlyos égést okozhat, különösen, ha gyűrűt vagy ékszert visel. Az akkumulátor lehető leghosszabb élettartama érdekében olvassa el és értse meg a használati útmutatót.

▲ FIGYELEM: Amikor nem használja, húzza ki a töltőt, és vegye ki az akkumulátoregységet.

AKKUMULÁTOREGYSÉG ELTÁVOLYTÁSA ÉS ELŐKÉSZÍTÁSE ÚJRAHASZNOSÍTÁSRA



Li-ion

Ne dobja az akkumulátor töltőt és az akkumulátorokat/újratölthető akkumulátorokat a háztartási hulladékok közé! Az elektromos és elektronikus berendezések hulladékairól szóló 2012/19/EU európai törvény, amely már nincs érvényben, és az 2006/66/EK európai törvény értelmében a sérült vagy elhasznált akkumulátoregységeket/akkumulátorokat környezetbarát módon külön kell gyűjteni és ártalmatlanítani.

Kérjen tanácsot a helyi újrahasznosító állomástól a lehetséges újrahasznosítási és/vagy ártalmatlanítási lehetőségekről.

▲ FIGYELEM: Ha kiveszi az akkumulátoregységet, hogy újrahasznosításra vagy ártalmatlanításra vigye, akkor fedje be az akkumulátoregységet nagy teherbírású ragasztószalaggal. Ne próbálja meg szétszerelni vagy megsemmisíteni az akkumulátoregységet, vagy levenni bármely komponensét. A lítium-ion akkumulátorokat megfelelően kell újrahasznosítani, vagy ártalmatlanítani. Soha ne érjen a részeihez fém tárgyakkal és/vagy testrészekkel, mivel az rövidzárlatot okozhat. Gyermekektől tartsa távol. Ezen figyelmeztetések be nem tartása tüzet és/vagy súlyos sérülést okozhat.

HIBAELHÁRÍTÁS

PROBLÉMA	A PROBLÉMA OKA	MEGOLDÁS
Az elektromos kéziszerszám nem működik.	<ul style="list-style-type: none"> ■ Nincs elektromos kapcsolat az elektromos kéziszerszám és az akkumulátor között. ■ Az akkumulátoregység lemerült. ■ Az akkumulátoregység vagy az elektromos kéziszerszám túl forró. ■ A kábel vagy a csatlakozódugó nem működik. ■ Az akkumulátor feszültsége 2,7 V alatt van. 	<ul style="list-style-type: none"> ■ Csatlakoztassa az akkumulátoregységet az elektromos kéziszerszámhoz. ■ Töltse fel az akkumulátoregységet. ■ Hagyja kihűlni az akkumulátoregységet vagy az elektromos kéziszerszámot normál hőmérsékletre. ■ Forduljon az EGO szervizközpontozhoz. ■ Azonnal töltse fel az akkumulátoregységet.
Az akkumulátoregységet nem lehet feltölteni.	<ul style="list-style-type: none"> ■ Az akkumulátor hőmérséklete meghaladja, vagy nem éri el a lent meghatározott értéket. ■ Nincs elektromos kapcsolat az akkumulátor és a töltő között. ■ A csatlakozás a töltő és a tápforrás között meghibásodott. 	<ul style="list-style-type: none"> ■ Hagyja abba a töltést vagy a lemerítést, amíg a hőmérséklet normális nem lesz újra. ■ Helyezze vissza az akkumulátoregységet a töltőbe. ■ Újból csatlakoztassa a töltő csatlakozódugóját a hálózati aljzathoz.

GARANCIA

EGO GARANCIÁLIS FELTÉTELEK

Kérjük, látogasson el az egopowerplus.com oldalra, ahol megtalálja a részletes EGO garanciális feltételeket.

HU

CITIȚI MANUALUL DE INSTRUCȚIUNI (ACUMULATOR)



CITIȚI TOATE INSTRUCȚIUNILE!

⚠ Riscuri reziduale! Persoanele cu dispozitive electronice precum stimulatoare cardiace ar trebui să-și consulte medicul (medicii) înainte de a utiliza acest produs. Utilizarea unui echipament electric în imediata apropiere a unui stimulator cardiac poate cauza interferențe sau pana stimulatorului.

⚠ AVERTISMENT: Pentru siguranța și fiabilitatea produsului, toate reparațiile și înlocuirile de piese ar trebui efectuate de către un tehnician de service autorizat.

SIMBOLURI PRIVIND SIGURANȚA

Scopul simbolurilor privind siguranța este să vă atragă atenția asupra pericolelor posibile. Simbolurile privind siguranța și explicațiile furnizate cu acestea merită atenția și înțelegerea dumneavoastră. Simbolurile de avertizare, ele singure, nu elimină niciun pericol. Instrucțiunile și avertismentele pe care le oferă nu pot înlocui măsurile corecte de prevenire a accidentelor.

⚠ AVERTISMENT: Asigurați-vă că ați citit și înțelegiți toate instrucțiunile privind siguranța din acest Manual de utilizare, inclusiv toate simbolurile de alertă privind siguranța precum “**PERICOL**,” “**AVERTISMENT**,” și “**ATENȚIE**” înainte de a utiliza această sculă. Nerespectarea tuturor avertismentelor și instrucțiunilor poate duce la electrocutare, incendiu și/sau răniri grave.

⚠ AVERTISMENT: Risc de incendiu și arsuri. Nu desfaceți, nu încălziți la temperaturi de peste 100 °C, sau să incinerati. Păstrați setul de acumulatori într-un loc inaccessibil copiilor și în ambalajul său original până când este gata de utilizare. Eliminați rapid setul de acumulatori uza conform normelor locale de reciclare sau de eliminare a deșeurilor.

INSTRUCȚIUNI PRIVIND SIGURANȚA

Această pagină descrie simbolurile de siguranță ce pot apărea pe acest produs. Citiți, înțelegeți, și respectați toate instrucțiunile de pe mașină înainte de asamblare și operare.

	Alertă privind siguranța	Indică un risc posibil de vătămare personală.
	Citiți manualul de instrucțiuni	Pentru a reduce riscul de rănire, utilizatorul trebuie să citească și să înțeleagă manualul de instrucțiuni înainte de a utiliza acest produs.
	Simboluri privind reciclarea	Nu aruncați seturile de acumulatori/bateriile în gunoii menajer, apă sau foc. Seturile de acumulatori/bateriile trebuie colectate, reciclate sau eliminate într-un mod ecologic.
	CE	Acest produs este în conformitate cu directivele europene aplicabile.
	DEEE	Deșeurile produselor electrice nu trebuie să fie eliminate împreună cu deșeurile menajere. Predați-le unui punct de reciclare autorizat.
V	Volt	Voltaj
A	Amperi	Rezistență
W	Watt	Putere
min	Minute	Durată
	Curent continuu	Tip sau o caracteristică a curentului

⚠ AVERTISMENT: Citiți și înțelegeți toate instrucțiunile. Nerespectarea tuturor instrucțiunilor poate duce la electrocutare, incendiu și/sau răniri grave. Termenul de “sculă electrică” în majoritatea avertismentelor listate se referă la mașinile pentru întreținerea Peluzei și a Grădinii alimentate cu acumulatori EGO Power+ (fără fir).

SIGURANȚA ZONEI DE LUCRU

- **Păstrați zona de lucru curată și bine iluminată.** Zonele dezordonate și întunecoase predispun la accidente.
- **Nu puneți în funcțiune sculele electrice în atmosfere explozive, cum ar fi în prezența lichidelor, gazelor sau prafurilor inflamabile.** Sculele electrice creează scânteii, care pot aprinde praful sau gazele.

SIGURANȚA ELECTRICĂ

- **Nu expuneți sculele electrice la ploaie sau condiții de umiditate.** Pătrunderea apei într-o sculă electrică va crește riscul de electrocutare.
- **A se utiliza numai cu încărcătoarele și sculele electrice menționate în "SPECIFICAȚII".**

UTILIZAREA ȘI ÎNGRIJIREA SETULUI DE ACUMULATORI

- **Când setul de acumulatori nu este utilizat, țineți-l departe de alte obiecte metalice precum clamele de hârtie, monedele, cheile, cuiele, șuruburile sau alte obiecte metalice mici care pot realiza o conexiune între borne.** Scurtcircuitarea bornelor bateriei poate produce arsuri sau un incendiu.
- **În condiții abuzive se poate scurge lichid din acumulator; evitați contactul.** Dacă are loc contactul accidental, clătiți cu apă. Dacă lichidul intră în contact cu ochii, efectuați suplimentar un consult medical. Lichidul scurs din acumulator poate produce iritări sau arsuri.
- **Nu demontați, nu deschideți sau să distrugeți acumulatorul.**
- **Nu expuneți acumulatorul la căldură.** Evitați depozitarea în lumina directă a soarelui.
- **Nu scurtcircuitați o celulă sau un acumulator.** Nu depozitați celulele sau acumulatorii la întâmplare într-o cutie sau într-un sertar în care aceștia se pot scurtcircuita reciproc sau pot fi scurtcircuitați de alte obiecte metalice.
- **Nu scoateți o celulă din ambalajul său original decât atunci când este necesar utilizării.**
- **Nu supuneți celulele sau acumulatorii la șocuri mecanice.**
- **Păstrați acumulatorul într-un loc inaccesibil copiilor.** Cereți imediat sfatul medicului în cazul în care un acumulator a fost înghițit.
- **Păstrați acumulatorul curat și uscat.**
- **Ștergeți bornele acumulatorului cu o cârpă curată și uscată dacă acestea se murdăresc.**

- **Acumulatorul secundar trebuie încărcat înainte de utilizare.** Întotdeauna utilizați încărcătorul corect și consultați instrucțiunile fabricantului sau manualul de instrucțiuni al echipamentului pentru instrucțiuni corecte privind încărcarea.
- **Nu țineți setul de acumulatori în încărcător un timp îndelungat atunci când nu este în uz.**
- **După perioade de depozitare îndelungată, s-ar putea să fie necesar să încărcăți și să descărcați acumulatorii de mai multe ori pentru a obține performanțe maxime.**
- **Păstrați documentația originală a produsului ca referință pentru viitor.**
- **Utilizați acumulatorul numai în scopul pentru care a fost proiectat.**
- **Când este posibil, scoateți acumulatorul din echipament când acesta nu este utilizat.**
- **Eliminați acumulatorii în mod corespunzător.**

OPERAȚIILE DE SERVICE

- **Urmați instrucțiunile din secțiunea privind întreținerea din acest manual.** Utilizarea de piese neautorizate sau nerespectarea instrucțiunilor de întreținere pot duce la un risc de electrocutare sau de vătămare.

REGULI SPECIFICE PRIVIND SIGURANȚA

- **Cunoașteți-vă scula electrică. Citiți cu atenție manualul de instrucțiuni. Învățați aplicațiile și limitele, precum și riscurile specifice potențiale legate de sculă.** Respectând această regulă, veți reduce riscul de electrocutare, incendiu sau de vătămare corporală gravă.
- **Sculele electrice alimentate cu baterii nu trebuie să fie racordate la o priză electrică, de aceea, acestea sunt întotdeauna în stare de funcționare. Fiți la curent cu riscurile potențiale când nu vă utilizați scula cu acumulatori.** Întotdeauna scoateți acumulatorul din sculă înainte de a schimba accesoriile. Respectând această regulă, veți reduce riscul de electrocutare, incendiu sau de vătămare corporală personală gravă.
- **Nu zdrobiți, aruncați pe jos sau avariați setul de acumulatori. Nu utilizați un set de acumulatori sau un încărcător care a fost scăpat pe jos sau care a primit o lovitură puternică.** Un acumulator avariat riscă să explodeze. Eliminați corect și imediat un acumulator scăpat pe jos sau avariat.
- **Nu încărcăți acumulatorul într-un spațiu umed sau ud.** Respectând această regulă, veți reduce riscul de electrocutare.

RO

- Pentru rezultate cât mai bune, acumulatorul dumneavoastră ar trebui încărcat în locații unde temperatura depășește 0°C și este sub 40°C. Nu-l depozitați în aer liber sau în vehicule.
- Nu permiteți contactul pieselor de plastic cu benzină, uleiuri, produse pe bază de petrol, etc. Aceste substanțe conțin chimicale care pot avaria, fragiliza sau distruge plasticul.
- Apelați numai la o persoană calificată pentru efectuarea operațiilor de service a care să utilizeze numai piese de schimb identice. Astfel se asigură menținerea nivelului de siguranță al setului de acumulatori.
- Păstrați aceste instrucțiuni. Consultați-le frecvent și utilizați-le pentru a instrui alte persoane care ar putea utiliza această sculă electrică. Dacă împrumutați cuiva această sculă, împrumutați-i și aceste instrucțiuni pentru a preveni utilizarea inadecvată a produsului și posibile răni.

SPECIFICAȚII

SPECIFICAȚII	56V
Max. kapacitás	1568Wh
Párosított töltő	CHX5500E
Töltési feszültség	Încărcare rapidă: 8A Încărcare normală: 4A
Töltési idő	Încărcare rapidă: Aproximativ 3,5ore Încărcare normală: Aproximativ 7ore
Párosított elektromos kéziszerszámok	LBX6000, HTX6500, BCX3800
Súly	8,7kg
Meghatározott környezeti hőmérséklet-tartomány a lemerüléshez	-20°C ~ 40°C

RO

DESCRIERE

DESCRIEREA ÎNCĂRCĂTORULUI (Fig. A)

1. Cablu
2. Mâner
3. Port USB
4. Comutator USB/CC
5. Interfață 12 CC
6. Indicator de alimentare și buton întrerupător
7. Arc de fixare curea de umăr
8. Arc de fixare centură
9. Capac siguranță
10. Curea de umăr
11. Cadru
12. Sită
13. Curea
14. Ham (Vândut separat)
15. Pernuță de șold (Vândută separat)

UTILIZAREA

INDICATOR DE ALIMENTARE DE PE SETUL DE ACUMULATORI (Fig. B)

Acest set de acumulatori de litiu-ion este echipat cu un indicator de alimentare, care semnalizează nivelul de încărcare și erorile setului de acumulatori. Apăsăți indicatorul de alimentare pentru a afișa nivelul capacității când acumulatorul nu se află la încărcat. Indicatorul LED va străluci timp de 10 secunde.

- În timpul încărcării, indicatorii cu LED va afișa diferite semnale descrise mai jos fără a apăsa butonul întrerupător.

ÎNCĂRCAREA						
Capacitate acumulator / Eroare	LED-uri					Observații
	1	2	3	4	5	
<20%	Clipește verde	Oprit	Oprit	Oprit	Oprit	1 clipește
20% ≤ Capacitate < 40%	Pornit	Clipește verde	Oprit	Oprit	Oprit	1 pornit, 1 clipește
40% ≤ Capacitate < 60%	Pornit	Pornit	Clipește verde	Oprit	Oprit	2 pornit, 1 clipește
60% ≤ Capacitate < 80%	Pornit	Pornit	Pornit	Clipește verde	Oprit	3 pornit, 1 clipește
80% ≤ Capacitate < 100%	Pornit	Pornit	Pornit	Pornit	Clipește verde	4 pornit, 1 clipește
Capacitate = 100% (încărcare completă)	Pornit	Pornit	Pornit	Pornit	Pornit	5 pornit câteva minute, apoi se oprește
Acumulatorul nu poate fi încărcat	Oprit	Oprit	Oprit	Oprit	Oprit	5 LED-uri vor fi toate oprite
Acumulator supraîncălzit	Oprit	Oprit	Oprit	Oprit	Oprit	5 LED-uri vor fi toate oprite

Dacă acumulatorul cu suport de spate se descarcă sau rămâne neutilizat, **APĂSAȚI BUTONUL ÎNTRERUPĂTOR**, indicatorul cu LED va afișa o interfață diferită față de cea de încărcare conform celei de mai jos.

DESCĂRCAREA / NEUTILIZAREA						
Capacitate acumulator / Eroare	LED-uri					Observații
	1	2	3	4	5	
80% < Capacitate ≤ 100%	Pornit	Pornit	Pornit	Pornit	Pornit	5 LED-uri pornite timp de 10 secunde după apăsarea butonului
60% < Capacitate ≤ 80%	Pornit	Pornit	Pornit	Pornit	Oprit	4 LED-uri pornite timp de 10 secunde după apăsarea butonului
40% < Capacitate ≤ 60%	Pornit	Pornit	Pornit	Oprit	Oprit	3 LED-uri pornite timp de 10 secunde după apăsarea butonului
20% < Capacitate ≤ 40%	Pornit	Pornit	Oprit	Oprit	Oprit	2 LED-uri pornite timp de 10 secunde după apăsarea butonului
10% < Capacitate ≤ 20%	Pornit	Oprit	Oprit	Oprit	Oprit	1 LED pornit timp de 10 secunde după apăsarea butonului
≤10%	Clipește verde	Oprit	Oprit	Oprit	Oprit	1 LED clipește timp de 10 secunde după apăsarea butonului
Sub tensiune (<2,7V)	Roșu intermitent	Roșu intermitent	Roșu intermitent	Roșu intermitent	Roșu intermitent	5 LED-uri clipeșc timp de 10 secunde după apăsarea butonului
Acumulator supraîncălzit	Se aprinde roșu	Se aprinde roșu	Se aprinde roșu	Se aprinde roșu	Se aprinde roșu	5 LED-uri pornite timp de 10 secunde după apăsarea butonului

PROTECȚIA ACUMULATORULUI

Circuitul electric al setului de acumulatori previne setul de acumulatori de temperatură extremă, supradescărcarea și supraîncărcarea. Pentru a feri bateria de avarii și a-i prelungi viața, circuitul electric al setului de acumulatori va opri setul de acumulatori în caz de suprasarcină sau dacă temperatura devine prea înaltă ori prea scăzută în timpul utilizării. Acest lucru se poate întâmpla în situații extreme de torsiune înaltă, blocare și calare.

- În caz de încărcare, setul de acumulatori se va opri cu toate cele 5 LED-uri stinse când temperatura acestuia depășește 60°C sau scade sub 0°C. Când temperatura revine la normal în 90 de minute, acumulatorul va reîncepe automat să funcționeze. Altfel, acumulatorul se va opri, reintroduceți mufa în încărcător pentru a reactiva încărcarea.
- Setul de acumulatori se va opri, cu toate cele 5 LED-uri fiind stinse când tensiunea unei celule din acumulator depășește tensiunea de protecție. Se recomandă să descărcați imediat setul de acumulatori. Dacă această problemă se repetă de prea multe ori, vă rugăm contactați un centru de service EGO.
- În cazul descărcării, când temperatura setului de acumulatori depășește 70°C sau scade sub -20°C, setul de acumulatori se va opri cu cele 5 LED-uri fiind aprinse roșu timp de 10 secunde după apăsarea butonului. Setul de acumulatori va reîncepe să funcționeze în ambele condiții când temperatura normală își revine și va permite sculei electrice să repornească.
- Când tensiunea din celula acumulatorului scade sub 2,7V, setul de acumulatori se va opri cu 5 LED-uri clipind roșu timp de 10 secunde după apăsarea butonului. Se recomandă să opriți lucrarea și să încărcați imediat setul de acumulatori. Dacă acest lucru se repetă de multe ori, contactați-vă tehnicianul de reparații pentru asistență.

⚠ AVERTISMENT: În niciun caz, să nu vă încălziți setul de acumulatori.

ÎNCĂRCAREA SETULUI DE ACUMULATORI

Az akkumulátoregységét részben feltöltve szállítjuk. Az elemöltő használat előtt töltsse fel az akkumulátort.

⚠ AVERTISMENT: Nu utilizați setul de acumulatori în aer liber sau să-l expuneți la condiții de umezeală ori de umiditate. Pătrunderea apei în încărcător sau în setul de acumulatori va crește riscul de electrocutare. Pentru detalii suplimentare, vă rugăm consultați Manualul de instrucțiuni pentru Încărcătorul EGO CHX5500E.

1. Conectați încărcătorul la sursa de alimentare (220-240V~50Hz).
2. Introduceți mufa acumulatorului în încărcător.
3. Când setul de acumulatori este în curs de încărcare normală, LED-ul 1 verde de pe încărcător va clipi intermitent. După apăsarea butonului verde timp de cel puțin 1 secundă, încărcarea normală (curent de încărcare de 4A) se va transforma în încărcare rapidă (curent de încărcare de 8A) și LED-ul verde 2 de pe încărcător ca clipi cu LED-ul 1 fiind oprit.
4. Când cele 5 LED-uri de pe setul de acumulatori vor rămâne aprinse verde continuu, înseamnă că setul de acumulatori este încărcat complet. Așteptați până când ventilatorul de răcire de pe încărcător se oprește, scoateți setul de acumulatori din încărcător și deconectați încărcătorul de la sursa de alimentare.

OBSERVAȚIE

- Setul de acumulatori va fi complet încărcat dacă este lăsat în încărcător, fără să se supraîncarce.
- Urmați instrucțiunile din Manualul de instrucțiuni pentru Încărcătorul EGO CHX5500E pentru detalii suplimentare.
- O durată de funcționare redusă semnificativ a setului de acumulatori după încărcarea completă a acestuia este un semn că acumulatorii se apropie de sfârșitul vieții lor și trebuie înlocuiți.
- Dacă nu ați introdus complet mufa în locașul acesteia, LED-ul încărcătorului va clipi continuu.
- Este posibil ca setul de acumulatori să se încălzească în timpul încărcării. Acest lucru face parte din funcționarea normală a încărcătorului. Efectuați încărcarea într-o zonă bine ventilată.

Priza USB/CC 12V

Îndepărtați capacele de cauciuc și introduceți mufele USB/CC în porturile USB/CC (Fig. C & D). După care apăsați butonul comutator USB/CC, setul de acumulatori va alimenta dispozitivele conectate cu setul de acumulatori prin porturile USB sau CC.

C-1	Capace de cauciuc	D-2	Port CC de 12V
D-1	Port USB	D-3	Comutator USB/CC

OBSERVAȚIE:

- Funcțiile de alimentare prin USB sau CC de 12V pot funcționa simultan cu o sursă de alimentare de 56V. După utilizarea alimentării prin USB/CC de 12V, scoateți mufele USB/CC și repuneți la loc capacele de cauciuc.
- Nu utilizați alimentarea USB/CC de 12V în timp ce setul de acumulatori este în curs de încărcare.

CONECTAREA ȘI DECONECTAREA HAMULUI LA/DE LA SETUL DE ACUMULATORI

Conectarea

Aliniați cele patru proeminențe de pe cadru cu canelurile de montare și conectați nervura de poziționare de pe curea cu arcul de fixare al curelei. Apoi culisați hamul în sus până la auzul unui clic. (Fig. E).

E-1	Canelura de montare	E-3	Nervură de poziționare curea
E-2	Nervură de poziționare pe cadru		

Levétel

Apăsăți cele două butoane de eliberare de pe ham din spatele cadrului și scoateți hamul (Fig. F).

INSTALAREA SETULUI DE ACUMULATORI

În cadrul utilizării normale, setul de acumulatori cu hamul sunt purtate pe spate. Pentru a preveni oboseala și a munci confortabil hamul este echipat o articulație pentru curea și una pentru curelele de umăr, ce vă garantează libertatea de mișcare.

Lungimea curelei de talie și a curelelor de umăr poate fi ajustată fără dificultăți. Perna de spate ar trebui să fie poziționată cu fermitate și sigur pe spatele dumneavoastră.

- Reglați lungimea curelei de talie și a curelelor de umăr pentru a vă simți cât mai confortabil înainte de munca normală, lungimea ar trebui să se potrivească dimensiunilor corpului dumneavoastră prin articulațiile curelei de talie și a celor de umăr.
- Introduceți cele două părți ale cataramii de curea și a cataramii de pe piept una în cealaltă până la auzul unui clic (Fig. G & H).
- Reglați înălțimea cataramii de pe piept pentru a vă simți cât mai confortabil (Fig. I).
- Reglați lungimea curelei și a curelei de piept.
- Introduceți excesul de curea din jurul taliei și pe cel al curelei de pe piept în elastic (Fig. J).

PENTRU A ATAȘA ȘI DETAȘA SETUL DE ACUMULATORI

Încărcarea înaintea primei utilizări

Ghidați cablul setului de acumulatori în jurul laturii corpului, și conectați sculele electrice la cablul de conectare de 1,5m. Urmăți instrucțiunile din manualul sculei electrice pentru detalii suplimentare.

Instalarea (Fig. K)

Cu logo-ul ▲ aliniat atât pe mufa cât și pe sculele electrice, introduceți mufa în sculele electrice până când gamitura verde dispăre complet în priză.

Îndepărtarea

Decuplați mufa din sculele electrice.

▲ AVERTISMENT: În caz de urgență, scoateți imediat setul de acumulatori de pe umărul dumneavoastră. Decuplați cataramele curelei de umăr și a celei de piept, după care îndepărtați hamul de pe fiecare umăr este metoda rapidă de îndepărtare.

▲ AVERTISMENT: Nu strângeți excesiv curelele de umăr deoarece riscați să îngreunați îndepărtarea setului de acumulatori.

▲ AVERTISMENT: Numai anumite produse EGO sunt compatibile cu setul de acumulatori, acestea fiind menționate în "SPECIFICAȚII". Vă recomandăm să nu utilizați setul de acumulatori cu alte scule electrice.

ÎNTREȚINEREA

▲ AVERTISMENT: Setul de acumulatori trebuie reparat sau înlocuit de către un centru de service calificat și tehnicieni EGO.

▲ AVERTISMENT: Pentru evitarea rănilor personale grave, îndepărtați întotdeauna setul de acumulatori din sculă când înlocuiți accesoriul, efectuați curățarea sau orice operație de întreținere.

▲ AVERTISMENT: În cazul operațiilor de service, utilizați numai piese de schimb identice. Utilizarea oricărui altor piese poate crea un pericol sau poate produce o deteriorare.

▲ AVERTISMENT: În cazul care curățarea cu aer comprimat este singura metodă care poate fi utilizată, întotdeauna purtați ochelari de protecție sau ochelari de protecție cu apărători laterale. Dacă operația produce praf, purtați și o mască de praf.

ÎNTREȚINERE GENERALĂ

Evitați utilizarea solvenților când curățați piese din plastic. Majoritatea pieselor din plastic sunt susceptibile să se deterioreze de la diverse tipuri de solvenți comerciali și se pot defecta prin utilizarea acestora. Utilizați cârpe curate pentru a îndepărta murdăria, praful, uleiul, vaselina etc.

⚠️ AVERTISMENT: Nu permiteți niciodată lichidelor de frână, benzinei, produselor petroliere, uleiurilor penetrante etc. să intre în contact cu piese din plastic. Substanțele chimice pot deteriora, pot slăbi sau pot distruge plasticul, ceea ce se poate solda cu vătămări grave.

ACUMULATORII

Nu demontați setul de acumulatori sau încerca să înlocuiți celulele. Manevrarea acumulatorilor, în special când purtați inele și bijuterii poate provoca arsuri grave. Pentru a prelungi la maxim posibila durată de viață, citiți și înțelegeți manualul de instrucțiuni.

⚠️ AVERTISMENT: Este un obicei bun să deconectați încărcătorul și să îndepărtați setul de acumulatori când acesta nu este utilizat.

ÎNDEPĂRTAREA SETULUI DE ACUMULATORI ȘI PREGĂTIREA SA PENTRU RECICLARE



Li-ion

Nu eliminați încărcătorul de acumulatori și bateriile/acumulatorii împreună cu deșeurile menajere! Conform Directivei europene 2012/19/UE, sculele echipamentele electrice și electronice care nu mai sunt utilizabile, și seturile de acumulatori/bateriile defecte sau uzate trebuie colectate separat și eliminate într-un mod ecologic corect.

Consultați autoritatea locală în domeniul deșeurilor pentru informații suplimentare privind opțiunile disponibile de reciclare și/sau de eliminare.

⚠️ AVERTISMENT: După îndepărtarea setului de acumulatori în vederea eliminării sau reciclării, acoperiți bornele setului de acumulatori cu bandă adezivă super rezistentă. Nu încercați să distrugeți sau să demontați setul de acumulatori sau să-i îndepărtați vreo componentă. Acumulatorii Litiu-ion trebuie reciclați sau eliminați într-un mod corect. De asemenea, nu atingeți niciodată bornele și/sau părți ale corpului cu obiecte metalice deoarece se poate produce un scurtcircuit. A nu se lăsa la îndemâna copiilor. Nerespectarea acestor instrucțiuni poate duce la incendiu și/sau vătămare corporală gravă.

DEPANAREA

PROBLEMĂ	CAUZĂ	SOLUȚIE
Scula nu funcționează	<ul style="list-style-type: none">■ Nu există contact electric între scula electrică și acumulator.■ Setul de acumulatori este descărcat.■ Setul de acumulatori sau scula electrică sunt prea fierbinți.■ Cablul sau ștecherul nu funcționează.■ Tensiunea unei celule de acumulator este sub 2,7V.	<ul style="list-style-type: none">■ Atașați setul de acumulatori de scula electrică.■ Încărcați setul de acumulatori.■ Lăsați setul de acumulatori sau scula electrică să se răcească până când temperatura atinge valori normale.■ Contactați centrele de service EGO.■ Încărcați imediat setul de acumulatori.
Setul de acumulatori nu poate fi încărcat.	<ul style="list-style-type: none">■ Temperatura acumulatorului depășește sau este mai mică de valoarea specificată.■ Nu există contact electric între acumulator și încărcător.■ Conexiunea dintre încărcător și sursa de alimentare este deficitară.	<ul style="list-style-type: none">■ Oprii încărcarea sau descărcarea până când temperatura revine la normal.■ Reintroduceți setul de acumulatori în încărcător.■ Introduceți ștecherul încărcătorului în priză.

GARANȚIA

POLITICA DE GARANȚIE EGO

Vă rugăm consultați website-ul egopowerplus.com pentru termenii și condițiile complete ale politicii de garanție EGO.

RO

PREBERITE PRIROČNIK Z NAVODILI ZA UPORABO (BATERIJA)



PREBERITE VSA NAVODILA!

⚠ Preostalo tveganje! Pred uporabo izdelka se morajo osebe z elektronskimi napravami, kot je srčni spodbujevalnik, posvetovati s svojim zdravnikom. Delovanje električne opreme v bližini srčnega spodbujevalnika lahko povzroči motnje ali okvaro srčnega spodbujevalnika.

⚠ OPOZORILO: Če želite zagotoviti varnost in zanesljivost naprave, mora vsa popravila in zamenjave nadomestnih delov izvesti usposobljen serviser.

VARNOSTNI SIMBOLI

Namen varnostnih simbolov je, da pritegnejo vašo pozornost na morebitne nevarnosti. Varnostni simboli in njihova pojasnila si zaslužijo vašo pozornost in razumevanje. Opozorilni simboli sami ne odpravljajo nobene nevarnosti. Navodila in opozorila niso nadomestilo za ustrezne ukrepe za preprečevanje nesreč.

⚠ OPOZORILO: Poskrbite, da boste pred uporabo orodja prebrali in razumeli vsa varnostna navodila v priročniku z navodili za uporabo, vključno z vsemi simboli za varnostna opozorila, kot so »NEVARNOST«, »OPOZORILO«, in »SVARILO«. Neupoštevanje spodaj navedenih navodil se lahko odrazi v električnem udaru, požaru in/ali resnih telesnih poškodbah.

SL

⚠ OPOZORILO: Nevarnost požara in opeklin. Ne razstavlajte ali sežigajte, temperatura nad 100 °C. Baterijski sklop do uporabe hranite na mestu, ki je nedosegljivo otrokom, in v originalni embalaži. Izrabljeni baterijski sklop nemudoma odvrzite v skladu z lokalnimi predpisi za recikliranje oziroma odlaganje odpadkov.

VARNOSTNA NAVODILA

Na tej strani so prikazani in opisani varnostni simboli, ki se lahko pojavijo na tem izdelku. Preberite, osvojite in sledite navodilom na stroju preden ga boste poskušali sestaviti in upravljati.

	Varnostno opozorilo	Označuje potencialno nevarnost telesnih poškodb.
	Preberite priročnik z navodili za uporabo	Za zmanjšanje nevarnosti poškodb je pomembno, da si uporabnik pred uporabo naprave prebere priročnik z navodili za uporabo.
	Simboli za recikliranje	Baterijskih sklopov/ baterij ne mečite med gospodinjske odpadke, v vodo ali ogenj. Baterijske sklope/baterije zbirajte, reciklirajte in odstranjujte po okolju prijaznih smernicah.
	CE	Ta izdelek je v skladu z veljavnimi direktivami ES.
	Odpadna električna in elektronska oprema (OEEO)	Odpadnih električnih izdelkov se ne sme odlagati med gospodinjske odpadke. Odnosite jih k pooblaščenemu izvajalcu postopka recikliranja.
V	Volt	Napetost
A	Amperi	Tok
W	Watt	Napajanje
min	Minute	Čas
	Enosmerni tok	Vrsta ali značilnost toka

⚠ OPOZORILO: Preberite in osvojite vsebino navodil. Neupoštevanje vseh navodil se lahko odrazi v električnem udaru, požaru in/ali resnih telesnih poškodbah. Izraz »električno orodje« in večina navedenih opozoril se nanašajo na električne vrtno stroje EGO in stroje, ki jih napaja baterija (brezžični stroji).

VARNOST DELOVNEGA OBMOČJA

- Delovno območje naj bo čisto in dobro osvetljeno. V neurejenih in temnih območjih se rade zgodijo nesreče.
- Električnega orodja ne upravljajte v eksplozivnih okoljih, kot je ob prisotnosti vnetljivih tekočin, plinov ali prahu. Električno orodje ustvarja iskre, ki lahko zanetijo prah ali hlape.

ELEKTRIČNA VARNOST

- Električnih orodij ne izpostavljajte dežju ali vlažnim pogojem. Voda v električnem orodju znatno poveča tveganje električnega udara.
- Uporabljajte samo s polnilniki in električnimi orodji, ki so navedena v razdelku »SPECIFIKACIJE«.

UPORABA IN VZDRŽEVANJE BATERIJSKEGA SKLOPA

- Ko baterijski sklop ni v uporabi, ga hranite ločeno od kovinskih predmetov, kot so sponke za papir, kovanci, ključi, žebli, vijaki ali drugi majhni kovinski predmeti, ki lahko povzročijo stik med eno in drugo sponko. Kratak stik zaradi povezanih terminalov baterije lahko povzroči opekline ali požar.
- Ob zlorabi baterije lahko iz nje steče tekočina. Če se po nesreči dotaknete tekočine, mesto dotika sperite z vodo. Če pride tekočina v stik z očmi, poiščite zdravstveno pomoč. Tekočina, ki izteče iz baterije, lahko povzroči vnetje ali opekline.
- Ne razstavlajte, odpirajte ali trgajte baterije, ki jo je mogoče napolniti.
- Baterije ne izpostavljajte vročini ali ognju. Naprave ne shranjujte na neposredni sončni svetlobi.
- Ne povzročite kratkega stika celice ali baterije. Celic ali baterij ne shranjujte naključno v škatli ali predalu, kjer lahko pride do kratkega stika med njimi ali pa kratak stik povzročijo drugi kovinski predmeti.
- Do uporabe baterije ne odstranjujte iz originalne embalaže.
- Celic ali baterij ne izpostavljajte mehanskim šokom.
- Baterijo hranite na mestu, nedosegljivo otrokom. Če je prišlo do zaužitja baterije, nemudoma poiščite zdravniško pomoč.
- Baterija naj bo čista in suha.

- Če postanejo umazane, sponke baterij obrišite s čisto in suho krpo.
- Sekundarno baterijo morate pred uporabo napolniti. Vedno uporabite ustrezen polnilnik in upoštevajte proizvajalčeva navodila za uporabo glede pravilnega polnjenja.
- Baterij ne polnite dalj časa, če jih ne uporabljate.
- Po daljšem obdobju skladiščenja, boste za največjo učinkovitost morda morali baterijo večkrat napolniti in izprazniti.
- Originalno literaturo izdelka prihranite za kasnejšo uporabo.
- Baterijo uporabljajte le za uporabo, za katero je bila namenjena.
- Če je mogoče, baterijo odstranite iz opreme, ko je ne uporabljate.
- Pravilno jo odvrzite.

SERVIS

- Upoštevajte navodila v poglavju Vzdrževanje v tem priložniku. Če uporabljate neodobrene dele ali ne upoštevate navodil v poglavju Vzdrževanje, lahko povzročite nevarnost električnega udara ali poškodb.

SPECIFIČNA VARNOSTNA PRAVILA

- Spoznajte svoje električno orodje. Pozorno preberite priložnik z navodili za uporabo. Poučite se o uporabi in omejitvah, prav tako tudi o specifičnih morebitnih nevarnostih, povezanih z orodjem. Upoštevanje tega nasveta bo zmanjšalo nevarnost električnega udara, požara ali hudih telesnih poškodb.
- Baterijskih orodij ni potrebno vključiti v električno vtičnico, zato so vedno v stanju delovanja. Bodite pozorni na morebitne nevarnosti, če ne uporabljate baterijskega orodja. Pred zamenjavo dodatkov vedno odstranite baterijo. Upoštevanje tega nasveta bo zmanjšalo nevarnost električnega udara, požara ali hudih telesnih poškodb.
- Baterijskega sklopa ne uničite, mečite ali poškodujte. Baterijskega sklopa ali polnilnika, ki je padel ali prejel močan udarec, ne uporabljajte. Poškodovana baterija lahko eksplodira. Poškodovane ali izpraznjene baterije takoj ustrezno odstranite.
- Baterije ne polnite na vlažnem ali mokrem mestu. Z upoštevanjem tega nasveta zmanjšate nevarnost električnega udara.
- Za najboljše rezultate baterijo polnite na mestu, kjer je temperatura višja od 0 °C in nižja od 40 °C. Baterije ne shranjujte zunaj ali v vozilih.

SL

- **Ne dovolite, da bi bencin, olja, ali izdelki, ki temeljijo na naftnih derivatih, prišli v stik s plastičnimi deli.** Te snovi vsebujejo kemikalije, ki lahko poškodujejo, oslabijo ali uničijo plastiko.
- **Baterijski sklop naj servisira kvalificirano servisno osebje, ki uporablja le identične nadomestne dele.** To bo zagotovilo ohranjanje varnosti baterijskega sklopa.
- **Ta navodila shranite.** Pogosto jih preberite. Uporabite jih tudi za poučevanje ostalih, ki uporabljajo to napravo. Če to orodje komu posodite, posodite tudi ta navodila tudi za preprečevanje zlorabe izdelka in možnosti poškodb.

TEHNIČNI PODATKI

Nazivna napetost	56B
Največja zmogljivost	1568Wh
Ujemajoči se polnilnik	CHX5500E
Polnilni tok	Hitro polnjenje: 8A Običajno polnjenje: 4A
Čas polnjenja	Hitro polnjenje: približno 3,5ure Običajno polnjenje: približno 7ur
Ujemajoča se električna orodja	LBX6000, HTX6500, BCX3800
Teža	8,7kg
Navedeni razpon za temperaturo okolice za praznjenje	-20°C~40°C

SL

OPIS

SPOZNAJTE SVOJ BATERIJSKI SKLOP (slika A)

1. Kabel
2. Ročaj
3. Vrata USB
4. Stikalo USB/enosmernega toka
5. Vrata (12V enosmernega toka)
6. Indikator napoljenosti in preklopni gumb
7. Vzmet za pritrditev ramenskega pasa
8. Vzmet za pritrditev pasa
9. Servisni pokrov varovalo
10. Ramenski pas
11. Ogradje
12. Mrežica za preprečevanje znojenja
13. Pas
14. Pasovi (niso vključeni v kompletu)
15. Dodatno varovalo za boke (ni vključeno v kompletu)

DELOVANJE

INDIKATOR NAPA JANJA NA BATERIJSKEM SKLOPU (slika B)

Litij-ionski baterijski nahrbtnik je opremljen z indikatorjem napajanja, ki kaže nivo polnilne zmogljivosti in napako baterijskega sklopa. Pritisnite indikator napajanja, da prikažete raven zmogljivosti, ko se baterija ne polni. Indikator LED bo svetil 10 sekund.

- Če se baterija polni, lahko indikator LED prikazuje različne vmesnike, ki so navedeni v spodnjem razdelku, brez da bi pritisnili preklopni gumb.

POLNJENJE						
Zmogljivost/napaka baterije	Lučke LED					Komentarji
	1	2	3	4	5	
< 20 %	Utripa zeleno	Ne sveti	Ne sveti	Ne sveti	Ne sveti	1 utripa
20 % ≤ zmogljivost < 40 %	Sveti	Utripa zeleno	Ne sveti	Ne sveti	Ne sveti	1 sveti, 1 utripa
40 % ≤ zmogljivost < 60 %	Sveti	Sveti	Utripa zeleno	Ne sveti	Ne sveti	2 sveti, 1 utripa
60 % ≤ zmogljivost < 80 %	Sveti	Sveti	Sveti	Utripa zeleno	Ne sveti	3 sveti, 1 utripa
80 % ≤ zmogljivost < 100 %	Sveti	Sveti	Sveti	Sveti	Utripa zeleno	4 sveti, 1 utripa
Zmogljivost = 100 % (napolnjeno v celoti)	Sveti	Sveti	Sveti	Sveti	Sveti	5 sveti več minut, nato se izklopi
Baterije ni mogoče polniti	Ne sveti	Ne sveti	Ne sveti	Ne sveti	Ne sveti	Izklopi se vseh 5 luči LED
Prekomerna temperatura baterije	Ne sveti	Ne sveti	Ne sveti	Ne sveti	Ne sveti	Izklopi se vseh 5 luči LED

Če se baterijski sklop prazni ali ga ne uporabljate, **PRITISNITE PREKLOPNI GUMB**, da indikator LED prikaže drugačen vmesnik, kot je prikazan v spodnjem razdelku za polnjenje.

PRAZNIJENJE/SE NE UPORABLJA						
Zmogljivost/napaka baterije	Lučke LED					Komentarji
	1	2	3	4	5	
80 % < zmogljivost ≤ 100 %	Sveti	Sveti	Sveti	Sveti	Sveti	Ko pritisnete gumb, za 10 s zasveti 5 luči LED
60 % < zmogljivost ≤ 80 %	Sveti	Sveti	Sveti	Sveti	Ne sveti	Ko pritisnete gumb, za 10 s zasvetijo 4 luči LED
40 % < zmogljivost ≤ 60 %	Sveti	Sveti	Sveti	Ne sveti	Ne sveti	Ko pritisnete gumb, za 10 s zasvetijo 3 luči LED
20 % < zmogljivost ≤ 40 %	Sveti	Sveti	Ne sveti	Ne sveti	Ne sveti	Ko pritisnete gumb, za 10 s zasvetita 2 luči LED
10 % < zmogljivost ≤ 20 %	Sveti	Ne sveti	Ne sveti	Ne sveti	Ne sveti	Ko pritisnete gumb, za 10 s zasveti 1 luč LED
≤ 10 %	Utripa zeleno	Ne sveti	Ne sveti	Ne sveti	Ne sveti	Ko pritisnete gumb, za 10 s utripa 1 luč LED
Podnapetost (< 2,7 V)	Utripa rdeče	Utripa rdeče	Utripa rdeče	Utripa rdeče	Utripa rdeče	Ko pritisnete gumb, za 10 s utripa 5. rdeča luč
Prekomerna temperatura baterije	Sveti rdeče	Sveti rdeče	Sveti rdeče	Sveti rdeče	Sveti rdeče	Ko pritisnete gumb, za 10 s sveti 5. rdeča luč

SL

ZAŠČITA BATERIJE

Baterijsko vezje ščiti baterijski sklop pred ekstremnimi temperaturami, preveliko izpraznjenostjo in prenapolnjenostjo. Za zaščito baterije pred poškodbami in za podaljšanje življenjske dobe baterije, bo baterijsko vezje baterijski sklop ugasnilo, če je ta preobremenjen ali če med uporabo postane temperatura previsoka oziroma prenizka. To se lahko zgodi pri izjemno visokem navoru, vezavi in zastoju.

- Pri polnjenju se baterijski sklop izklopi skupaj z vsemi 5. lučmi LED, če temperatura preseže 60 °C ali je nižja od 0 °C. Če temperatura ponovno doseže običajno vrednost v 90 min, je ponovno omogočeno običajno delovanje baterijskega sklopa. V nasprotnem primeru se baterija izklopi; če vtič ponovno priključite v polnilnik, ponovno aktivirate polnjenje.
- Baterijski sklop in vseh 5 luči LED se prav tako izklopi, če tok baterije preseže zaščitni napetostni prag. Priporočamo, da nemudoma izpraznite baterijski sklop. Če te težave ni mogoče odpraviti, se obrnite na servisni center EGO.
- Če se baterijski sklop prazni in temperatura baterijskega sklopa presega 70°C ali je nižja od -20°C, se baterijski sklop izključi, 5. luč LED pa bo vklopljena za 10 s, po tem, ko pritisnete gumb. Ko se ponovno vzpostavi običajna temperatura, bo baterijski sklop ponovno običajno deloval, električno orodje pa bo mogoče ponovno zagnati.
- Če je napetost baterijske celice nižja od 2,7 V, se bo baterijski sklop izklopil, 5. luč LED pa bo vklopljena za 10 s, po tem, ko pritisnete gumb. Priporočamo, da nemudoma prekinete delo in napolnite baterijski sklop. Če te težave ni mogoče odpraviti, se za pomoč obrnite na servisnega tehnika.

SL

⚠ OPOZORILO: V nobenem primeru ne smete segregati baterijski sklop.

POLNJENJE BATERIJSKEGA SKLOPA

Baterijski sklop je dobavljen delno napolnjen. Pred prvo uporabo ga napolnite.

⚠ OPOZORILO: Baterijskega sklopa ne polnite zunaj ali ga ne izpostavljajte mokrim oziroma vlažnim razmeram. Voda v polnilniku ali baterijskem sklopu poveča tveganje električnega udara. Če želite izvedeti več o tem, preberite priročnik z navodili za uporabo za polnilnik EGO CHX5500E.

1. Polnilnik priključite na napajanje (220–240 V ~ 50 Hz).
2. Vtič baterije priključite v polnilnik.

3. Če se baterijski sklop običajno polni, na polnilniku utripa zelena lučka LED1. Ko zeleni gumb pridržite vsaj za 1 s, običajno polnjenje (polnilni tok 4A) preklopi na hitro polnjenje (polnilni tok 8A), zelena lučka LED2 na polnilniku utripa, lučka LED1 pa se izklopi.
4. Če vseh 5 lučk LED neprekinjeno sveti zeleno, je baterijski sklop v celoti napolnjen. Počakajte, da se hladilni ventilator polnilnika ustavi, baterijski sklop odstranite iz polnilnika in polnilnik odklopite iz napajanja.

OPOMBA:

- Če boste baterijski sklop pustili na polnilniku, se bo popolnoma napolnil, vendar se ne bo prenapolnil.
- Sledite navodilom v priročniku z navodili za uporabo za polnilnik EGO CHX5500E.
- Znatno zmanjšan čas delovanja po popolnem polnjenju baterijskega sklopa nakazuje, da so baterije blizu konca uporabnosti in jih je treba zamenjati.
- Če vtiča niste priključili v celoti, lučka LED polnilnika neprekinjeno utripa.
- Med polnjenjem se lahko polnilnik segreje. To je običajen del delovanja polnilnika. Polnite v dobro prezračnem prostoru.

USB/12V enosmernega toka

Odstranite gumijasta pokrova in vstavite vtič USB/enosmernega toka v vrata USB/enosmernega toka (sliki C in D). Nato pritisnite preklopni gumb USB/enosmerni tok, da baterijski sklop omogoča napajanje naprav prek vrat USB ali vrat za enosmerni tok.

C-1	Gumijasta pokrova	D-2	Vrata (12V enosmernega toka)
D-1	Vrata USB	D-3	Stikalo USB/enosmernega toka

OPOMBA:

- Napajanje prek vrat USB in 12V enosmernega toka deluje hkrati s 56V virom napajanja. Ko prenehate uporabljati vrata USB/12V enosmernega toka, izvlecite vtič USB/enosmernega toka in ponovno namestite gumijasta pokrova.
- Vraz USB/12V enosmernega toka ne uporabljajte med polnjenjem baterijskega sklopa.

PRIPENJANJE IN ODPENJANJE PASOV NA BATERIJSKI SKLOP ALI Z NJEGA

Pripenjanje

Štiri lokacijska rebra na ogrodju poravnajte z utori za namestitve in lokacijsko režo na traku povežite z vzmetjo za pritrditev pasu. Pripnite pasove, da se zaskočijo. (slika E).

E-1	Utor za namestitve	E-3	Reža pasa
E-2	Reža ogrodja		

Odpenjanje

Pritisnite sprostitvena gumba na pasovih za ogrodjem in izvlecite pasove (slika F).

NAMEŠČANJE BATERIJSKEGA SKLOPA

Baterijski sklop s pasovi običajno nosite na hrbtu. Pasovi imajo vgrajena stikališče za trebušni pas in stikališče za ramenske pasove, ki preprečujeta utrujenost in omogočata udobno delo, saj se med delom lahko neovirano gibljete.

Dolžino pasu lahko poljubno prilagajate tako za trebušni pas kot za ramenske pasove. Blazina za hrbet se trdno prilaga vašemu hrbtu.

- Pred pričetkom dela nastavite pravilno dolžino trebušnega in ramenskega pasa tako, da dolžina ustreza vaši velikosti trupa prek stikališča za trebušni in ramenske pasove.
- Sponko pasu in sponko prsnega koša vstavite eno v drugo, da se zaskočita (sliki G in H).
- Sponko prsnega koša prilagodite na ustrezno višino (slika I).
- Ponovno prilagodite dolžino sponke pasu in sponke prsnega koša.
- Odvečno dolžino pasu okrog pasu in prsnega koša vstavite v elastiko (slika J).

PRIKLJUČITEV IN ODKLOP BATERIJSKEGA SKLOPA

Polnjenje pred prvo uporabo

Kabel baterijskega sklopa speljite okrog ohišja in električno orodje priključite s povezovalnim kablom dolžine 1,5 m. Več podrobnosti najdete v priročniku z navodili za uporabo električnih orodij.

Namestitvev (slika K)

Vtič priključite v električna orodja tako, da je logotip ▲ poravnani na obeh straneh, dokler zeleni zapah v celoti ne izgine v vtičnico.

Odstranitev

Vtič izvlecite iz električnih orodij.

⚠ OPOZORILO: V primeru nevarne situacije nemudoma odstranite baterijski sklop z ramen. Sprostite sponko trebušnega pasa in sponko prsnega koša ter nato odstranite ramenske pasove z obeh strani.

⚠ OPOZORILO: Ramenskih pasov ne zategnite preveč, saj boste v nasprotnem primeru baterijski sklop težje odstranili.

⚠ OPOZORILO: Z baterijskim sklopom lahko uporabljate samo določene izdelke EGO, ki so navedeni v razdelku »SPECIFIKACIJE«. Priporočamo, da baterijskega sklopa ne uporabljate za električna orodja.

VZDRŽEVANJE

⚠ OPOZORILO: Popravila ali zamenjavo baterijskega sklopa lahko izvede samo usposobljen serviser v servisnem centru EGO.

⚠ OPOZORILO: Da bi se izognili hudim telesnim poškodbam, med zamenjavo dodatkov, čiščenjem ali vzdrževanjem iz orodja vedno odstranite baterijski sklop.

⚠ OPOZORILO: Pri servisiranju uporabljajte le identične nadomestne dele EGO. Uporaba drugih delov je tvegana in lahko povzroči škodo na izdelku.

⚠ OPOZORILO: Če je čiščenje s stisnjenim zrakom edini način čiščenja, ki ga uporabljate, vedno nosite zaščitna očala ali varnostna očala s stransko zaščito. Če je postopek prašen, nosite tudi protiprašno masko.

SPLOŠNO VZDRŽEVANJE

Pri čiščenju plastičnih delov se izogibajte uporabi topil. Večina vrst plastike se lahko pri uporabi različnih komercialnih topil poškoduje. Za odstranjevanje umazanije, praha, olja in maščobe uporabljajte čiste krpe.

⚠ OPOZORILO: Nikoli naj zavorna tekočina, gorivo, izdelki na osnovi naftnih derivatov, prodirajoče olje ne pridejo v stik s plastičnimi deli. Kemikalije lahko plastiko poškodujejo, oslabijo ali uničijo, kar lahko povzroči hude telesne poškodbe.

BATERIJE

Baterijskega sklopa ne razstavljajte ali ne poskušajte zamenjati celic. Delo z baterijami, zlasti, če nosite prstane in nakit, lahko povzroči resne opekline. Za čim daljšo življenjsko dobo baterij preberite in osvojite priročnik z navodili za uporabo.

SL

⚠ OPOZORILO: Ko baterijski sklop ni v uporabi, je dobro, da polnilnik odklopite in odstranite baterijski sklop.

ODSTRANITEV IN PRIPRAVA BATERIJSKEGA SKLOPA NA RECIKLAŽO



Li-ion

Polnilnika baterij in baterij/baterij, ki jih je mogoče polniti, ne odvrzite med gospodinjne odpadke. V skladu z evropskim zakonom 2012/19/EU glede električne in elektronske opreme, ki ni več uporabna, in v skladu z evropskim zakonom 2006/66/EC glede pokvarjenih ali izrabljenih baterijskih sklopov/baterij, je treba baterije zbrati ločeno in odvreči na okoljsko sprejemljiv način.

Za informacije glede razpoložljivih možnosti za recikliranje in/ali odstranjevanje se obrnite na lokalne oblasti za ravnanje z odpadki.

⚠ OPOZORILO: Po odstranitvi baterijskega sklopa za odlaganje ali recikliranje sponke baterijskega sklopa prelepite z odpornim lepilnim trakom. Baterijskega sklopa ne poskušajte uničiti ali razstaviti oziroma odstraniti katerega koli sestavnega dela. Litij-ionske baterije je treba reciklirati ali primerno zavreči. Poleg tega se nikoli ne dotikajte sponk s kovinskimi predmeti in/ali deli telesa, saj lahko pride do kratkega stika. Hranite izven dosega otrok. Če teh opozoril ne upoštevate, lahko pride do požara in/ali hudih poškodb.

ODPRAVLJANJE TEŽAV

TEŽAVA	VZROK	REŠITEV
Električna orodja ne delujejo	<ul style="list-style-type: none"> ■ Med električnim orodjem in baterijskim sklopom ni električnega stika. ■ Baterijski sklop je izprazen. ■ Baterijski sklop ali električno orodje je prevroč. ■ Kabel ali vtič je poškodovan. ■ Napetost baterijske celice je nižja od 2,7 V. 	<ul style="list-style-type: none"> ■ Baterijski sklop namestite na električno orodje. ■ Napolnite baterijski sklop. ■ Ohlajajte baterijski sklop ali električno orodje, dokler temperatura ne pade na običajno vrednost. ■ Obrnite se na servisni center EGO. ■ Nemudoma napolnite baterijski sklop.
Baterijskega sklopa ni mogoče polniti.	<ul style="list-style-type: none"> ■ Temperatura baterije presega navedeno vrednost ali je nižja od nje. ■ Ni električnega stika med baterijo in polnilnikom. ■ Stik med polnilnikom in virom napajanja ni pravilno vzpostavljen. 	<ul style="list-style-type: none"> ■ Prekinitve polnjenje ali praznjenje, dokler temperatura ne pade na običajno vrednost. ■ Ponovno vstavite baterijski sklop v polnilnik. ■ Ponovno vstavite vtič polnilnika v vir napajanja.

SL

GARANCIJA

GARANCIJSKA POLITIKA DRUŽBE EGO

Za popolne pogoje garancijske politike družbe EGO obiščite spletno stran egopowerplus.com.

PERSKAITYKITE NAUDOJIMO INSTRUKCIJĄ (BATERIJA)



PERSKAITYKITE VISĄ INSTRUKCIJĄ!

⚠ Likutinė rizika! Žmonės, kuriems implantuoti elektroniniai prietaisai, pvz., širdies stimulatoriai, prieš pradėdami naudoti šį gaminį turėtų pasikonsultuoti su savo gydytoju (-ais). Šalia širdies stimulatoriaus veikianti elektros įranga gali sukelti širdies stimulatoriaus veikimo trukdžius arba gedimą.

⚠ ĮSPĖJIMAS. Norint užtikrinti saugų ir patikimą gaminio naudojimą, visus remonto ir keitimo darbus turi atlikti kvalifikuotas techninės priežiūros specialistas.

SAUGOS SIMBOLIAI

Šių simbolių tikslas yra atkreipti jūsų dėmesį į galimus pavojus. Gerai susipažinkite su saugos simboliais bei jų paaiškinimais ir juos įsidėmėkite. Simbolių įspėjimai patys savaime negali apsaugoti nuo pavojų. Jais žymimi nurodymai ir įspėjimai neatstoja tinkamų nelaimingų atsitikimų prevencijos priemonių.

⚠ SPĖJIMAS: Prieš pradėdami naudoti šį gaminį perskaitykite visus šioje naudojimo instrukcijoje pateiktus saugos nurodymus, taip pat susipažinkite su visais saugos įspėjamaisiais simboliais, tokiais kaip „PAVOJUS“, „ISPĖJIMAS“ ir „PERSPĖJIMAS“, ir įsitikinkite, kad juos supratote. Nesilaikant visų toliau išdėstytų nurodymų galima patirti elektros smūgį, sukelti gaisrą ir (arba) sunkiai susižeisti.

⚠ ĮSPĖJIMAS. Gaisro ir nudegimų pavojus. Prietaiso neardykite; nekaitinkite virš 100 °C ir nedeginkite. Laikykite sudėtinę bateriją vaikams neprieinamoje vietoje ir gamintojo pakuotėje, kol ji bus paruošta naudoti. Panaudotą sudėtinę bateriją nedelsiant utilizuokite, laikydamiesi galiojančių atliekų tvarkymo ir perdirbimo teisės aktų nuostatų.

SAUGOS NURODYMAI

Šiame puslapyje pavaizduoti ir aprašyti saugos simboliai, kurie gali būti naudojami ant šio gaminio. Prieš pradėdami surinkti ir naudoti prietaisą, perskaitykite visus ant jo pateiktus nurodymus, įsitikinkite, kad juos supratote, ir jais vadovaukitės.

	Saugos įspėjimas	Nurodo galimą susižalojimo pavojų.
	Perskaitykite naudojimo instrukciją	Kad būtų sumažintas susižalojimo pavojus, naudotojas turi perskaityti naudojimo instrukciją ir įsitikinti, kad ją suprato.
	Perdirbimo simboliai	Draudžiama išmesti sudėtinės baterijas ir (arba) akumulatorius kartu su buitiniams atliekomis, į ugnį ar vandens telkinius. Sudėtinės baterijos ir (arba) akumulatoriai turi būti surenkami, perdirbami arba šalinami nekenksmingu aplinkai būdu.
	CE	Šis gaminys atitinka taikomas EB direktyvas.
	WEEE	Elektros prietaisų atliekas draudžiama išmesti kartu su buitiniams atliekomis. Perduoti įgaliotam perdirbėjui.
V	Voltas	Įtampa
A	Amperas	Srovė
W	Vatas	Galia
min	Minutės	Laikas
	Nuolatinė elektros srovė	Srovės tipas arba charakteristika

LT

⚠️ ĮSPĖJIMAS. Perskaitykite ir išsiaiškinkite visus nurodymus. Nesilaikant visų nurodymų galima patirti elektros smūgį, sukelti gaisrą ir (ar) sunkiai susižaloti. Visuose įspėjimuose vartojama sąvoka „elektrinis prietaisas“ taikoma elektriniams ir naudojamiems su maitinimo elementais (belaidžiams) EGO vejų ir sodų įrenginiams.

DARBO VIETOS SAUGUMAS

- Darbo vieta turi būti švari ir gerai apšviesta. Jei darbo vieta netvarkinga ar blogai apšviesta, gali įvykti nelaimingų atsitikimų.
- Nedirbkite su elektros prietaisu sprogioje aplinkoje, pavyzdžiui, ten, kur yra degių skysčių, dujų arba dulkių. Elektros prietaisai gali kibirkščiuoti, nuo kibirkščių gali užsidegti dulkės arba susikaupę garai.

ELEKTROS SAUGA

- Saugokite elektros prietaisus nuo lietaus ar drėgmės. Vandeniui patekus į elektros prietaiso vidų padidėja elektros smūgio pavojus.
- Naudokite tik su įkrovikliais ir elektriniais įrankiais, išvardintais skyriuje „SPECIFIKACIJOS“.

SUDĖTINĖS BATERIJOS NAUDOJIMAS IR PRIEŽIŪRA

- Nenaudojama sudėtinė baterija turi būti laikoma atokiau nuo metalinių objektų, tokių kaip sąvaržėlės, monetos, raktai, vinyas, varžtai ar kiti metaliniai objektai, galintys sujungti abu baterijos gnybtus. Įvykus trumpajam jungimui tarp baterijos gnybtų galima nusideginti ar gali kilti gaisras.
- Esant netinkamoms naudojimo sąlygoms iš baterijos gali ištekti skystis; venkite sąlyčio su juo. Atsitiktinai patekus ant odos, nedelsiant nuplaukite vandeniu. Jeigu skystis pateko į akis, papildomai kreipkitės pagalbos į gydytojus. Iš baterijos ištekėjęs skystis gali sudirginti arba nudeginti odą.
- Įkraunamos baterijos neardykite, neatidarykite ir nepjaustykite.
- Saugokite bateriją nuo kaitros ar liepsnos. Nelaikykite tiesioginiuose saulės spinduliuose.
- Pasirūpinkite, kad neįvyktų baterijos ar elemento trumpasis jungimas. Nelaikykite baterijų ar jų elementų dėžėje ar stalčiuje, kur tarp jų arba dėl kitų ten esančių metalinių daiktų gali įvykti trumpasis jungimas.
- Neišimkite baterijos iš originalios pakuotės, kol nereikės jos naudoti.
- Saugokite baterijas ir jų elementus nuo mechaninių smūgių.

- Laikykite bateriją vaikams neprieinamoje vietoje. Prarijus bateriją būtina nedelsiant kreiptis į gydytoją.
- Bateriją laikykite švarioje ir sausoje vietoje.
- Nešvarius baterijos gnybtus nuvalykite sausa ir švaria šluoste.
- Prieš naudojant antrinę bateriją reikia įkrauti. Visada naudokite tinkamą įkroviklį ir perskaitykite gamintojo instrukcijose ar įrangos vadove pateiktus tinkamo įkrovimo nurodymus.
- Nepalikite baterijos ilgai krauti, jei neketinate jos naudoti.
- Po ilgo laikymo laikotarpio gali tekti baterijas kelis kartus įkrauti ir iškrauti, kad būtų pasiekta maksimali jų galia.
- Išsaugokite originalią produkto dokumentaciją ateičiai.
- Bateriją naudokite tik prietaise, kuriam ji skirta.
- Jei įmanoma, išimkite bateriją iš įrenginio, kai jis nenaudojamas.
- Tinkamai utilizuokite.

TECHNINĖ PRIEŽIŪRA

- Vadovaukitės šio vadovo techninės priežiūros skyriuje pateiktais nurodymais. Naudojant neoriginalias dalis ar nesilaikant techninės priežiūros nurodymų gali kilti elektros smūgio arba sužeidimų pavojus.

SPECIALIOS SAUGOS TAISYKLĖS

- Susipažinkite su jūsų elektros prietaiso veikimu. Atidžiai perskaitykite naudojimo instrukciją. Susipažinkite su naudojimo būdais ir naudojimo apribojimais, taip pat galimais su šiuo prietaisu susijusiais pavojais. Laikantis šios taisyklės bus sumažintas elektros smūgio, gaisro ar sunkaus sužalojimo pavojus.
- Baterijų nereikia įjungti į elektros lizdą; jos visada yra darbinės būsenos. Atkreipkite dėmesį į galimus pavojus, kai nenaudojate prietaiso su baterija. Prieš keisdami priedus bateriją visada išimkite. Laikantis šios taisyklės bus sumažintas elektros smūgio, gaisro ar sunkaus sužalojimo pavojus.
- Draudžiama sudėtinę bateriją traiskyti, mėtyti arba gadinti. Draudžiama naudoti sudėtinę bateriją ar įkroviklį, jei jie buvo numesti arba stipriai sutrenkti. Pažeista baterija gali sprogti. Numestą arba pažeistą bateriją nedelsiant išmeskite tinkamu būdu.
- Nekraukite baterijos drėgnoje arba šlapioje vietoje. Laikantis šios taisyklės bus sumažintas elektros smūgio pavojus.

- Siekiant geriausių rezultatų baterija turėtų būti įkraunama vietoje, kurioje temperatūra yra didesnė nei 0 °C ir mažesnė nei 40 °C. Nelaikykite jos lauke arba transporto priemonėse.
- Užtikrinkite, kad ant plastikinių dalių nepatektų benzino, tepalo, produktų naftos pagrindu ir pan. Šiose medžiagose yra chemikalų, kurie gali pakenkti, susilpninti ar sunaikinti plastiką.
- Prietaisą gali remontuoti tik kvalifikuotas specialistas, naudodamas tik originalias atsargines dalis. Taip bus užtikrinta, jog sudėtinės baterijos išliks saugios.
- Išsaugokite šitas instrukcijas Dažnai jas pavartykite ir naudokitės jomis mokydami kitus asmenis, kurie gali naudoti šį prietaisą. Jei kam nors skolinatė šį prietaisą, perduokite ir šias instrukcijas; taip užkirsite kelią netinkamam gaminio naudojimui ir galimiems sužeidimams.

TECHNINIAI DUOMENYS

Vardinė įtampa	56V
Maksimali įkrova	1568Wh
Tinkamas įkroviklis	CHX5500E
Įkrovimo srovė	Greitasis įkrovimas: 8A Normalus įkrovimas: 4A
Įkrovimo trukmė	Greitasis įkrovimas: apie 3,5val. Normalus įkrovimas: apie 7val.
Tinkami elektriniai įrankiai	LBX6000, HTX6500, BCX3800
Svoris	8,7kg
Nurodytas iškrovimo aplinkos temperatūros diapazonas	-20°C ~ 40°C

DESCRIPTION

JŪSŲ SUDĖTINĖ BATERIJA (A pav.)

1. Kabelis
2. Rankena
3. USB lizdas
4. USB / DC jungiklis
5. 12V DC lizdas
6. Maitinimo įtampos indikatorius ir perjungimo mygtukas
7. Peties juostos fiksavimo spyruoklė
8. Diržo juostos fiksavimo spyruoklė
9. Saugiklio skyriaus dangtelis
10. Peties juosta
11. Rėmas
12. Tinklelis
13. Diržas
14. Diržų komplektas (išgyjamas atskirai)
15. Klubų tarpiklis (išgyjamas atskirai)

NAUDOJIMAS

SUDĖTINĖS BATERIJOS MAITINIMO ĮTAMPOS INDIKATORIUS (B PAV.)

Ši ličio jonų sudėtinė baterija yra su maitinimo įtampos indikatoriumi, kuris rodo įkrovos lygį ar sudėtinės baterijos veikimo sutrikimą. Jei norite sužinoti baterijos įkrovos lygį, paspauskite indikatorių tuo metu, kai nevyksta įkrovimas. LED indikatorius švies 10 sekundžių.

- Įkrovimo metu LED indikatorius gali rodyti skirtingą baterijos būseną, kaip nurodyta toliau lentelėje, ir perjungimo mygtuko spausti nereikia.

ĮKROVIMAS						
Baterijos įkrova / klaida	LED indikatoriai					Pastabos
	1	2	3	4	5	
< 20 %	Mirksi žaliai	Išjungtas	Išjungtas	Išjungtas	Išjungtas	1 mirksi
Nuo 20 % iki 40 %	Šviečia	Mirksi žaliai	Išjungtas	Išjungtas	Išjungtas	1 šviečia, 1 mirksi
Nuo 40 % iki 60 %	Šviečia	Šviečia	Mirksi žaliai	Išjungtas	Išjungtas	2 šviečia, 1 mirksi
Nuo 60 % iki 80 %	Šviečia	Šviečia	Šviečia	Mirksi žaliai	Išjungtas	3 šviečia, 1 mirksi
Nuo 80 % iki 100 %	Šviečia	Šviečia	Šviečia	Šviečia	Mirksi žaliai	4 šviečia, 1 mirksi
Įkrova = 100 % (pilnai įkrauta)	Šviečia	Šviečia	Šviečia	Šviečia	Šviečia	5 šviečia kelias minutes, po to užgesa
Baterijos negalima įkrauti	Išjungtas	Išjungtas	Išjungtas	Išjungtas	Išjungtas	Visi 5 indikatoriai išjungti
Baterija perkaitusi	Išjungtas	Išjungtas	Išjungtas	Išjungtas	Išjungtas	Visi 5 indikatoriai išjungti

Jeigu sudėtinė baterija išsikrauna ar nenaudojama, **PASPAUDUS PERJUNGIMO MYGTUKĄ** LED indikatorius rody s skirtingą baterijos būseną, kaip nurodyta toliau lentelėje.

IŠKROVIMAS / NENAUDOJIMAS						
Baterijos įkrova / klaida	LED indikatoriai					Pastabos
	1	2	3	4	5	
Nuo 80 % iki 100 %	Šviečia	Šviečia	Šviečia	Šviečia	Šviečia	Paspaudus mygtuką 5 LED indikatoriai dega 10 sekundžių
Nuo 60 % iki 80 %	Šviečia	Šviečia	Šviečia	Šviečia	Išjungtas	Paspaudus mygtuką 4 LED indikatoriai dega 10 sekundžių
Nuo 40 % iki 60 %	Šviečia	Šviečia	Šviečia	Išjungtas	Išjungtas	Paspaudus mygtuką 3 LED indikatoriai dega 10 sekundžių
Nuo 20 % iki 40 %	Šviečia	Šviečia	Išjungtas	Išjungtas	Išjungtas	Paspaudus mygtuką 2 LED indikatoriai dega 10 sekundžių
Nuo 10 % iki 20 %	Šviečia	Išjungtas	Išjungtas	Išjungtas	Išjungtas	Paspaudus mygtuką 1 LED indikatorius dega 10 sekundžių
≤ 10 %	Mirksi žaliai	Išjungtas	Išjungtas	Išjungtas	Išjungtas	Paspaudus mygtuką 1 LED indikatorius mirksi 10 sekundžių
Per žema įtampa (< 2,7 V)	Mirksi raudonai	Mirksi raudonai	Mirksi raudonai	Mirksi raudonai	Mirksi raudonai	Paspaudus mygtuką 5 LED indikatoriai mirksi raudonai 10 sekundžių
Baterija perkaitusi	Šviečia raudonai	Šviečia raudonai	Šviečia raudonai	Šviečia raudonai	Šviečia raudonai	Paspaudus mygtuką 5 LED indikatoriai dega raudonai 10 sekundžių

BATERIJOS APSAUGA

Baterijos grandinė apsaugo sudėtinę bateriją nuo ekstremalių temperatūrų ir permylo didelės iškvros ar įkvros. Kad baterija būtų apsaugota nuo sugadinimo ir būtų pratęsta jos naudojimo trukmė, sudėtinės baterijos grandinė išjungia bateriją, jei naudojimo metu ji patiria perkrovą ar temperatūra viršija leistinas ribas. Tai gali atsitikti dėl ypač aukšto įrankio variklio sukimo momento, jo įstrigimo ar užgesimo.

- Įkvovimo metu sudėtinė baterija išsijungia ir užgęsta visi 5 LED indikatoriai, kai jos temperatūra pakyla virš 60 °C arba nukrenta žemiau 0 °C. Jeigu per 90 minučių temperatūra grįžta į leistiną diapazoną, baterija automatiškai vėl įsijungia. Priešingu atveju baterija neįsijungia, ir reikia vėl iš įkvoviklio ištraukti ir dar kartą įkišti kištuką, kad įkvovimas atsinaujintų.
- Sudėtinė baterija taip pat išsijungia ir užgęsta visi 5 LED indikatoriai, kai jos elemento įtampa viršija jo apsauginę įtampą. Tokiu atveju sudėtinę bateriją rekomenduojama nedelsiant iškrauti. Jeigu ši problema dažnai kartojasi, prašome kreiptis į EGO techninės priežiūros centrus.
- Iškvovimo metu, jei sudėtinės baterijos temperatūra pakyla virš 70°C arba nukrenta žemiau -20°C, baterija išsijungia ir, paspaudus mygtuką, 10 sekundžių raudonai dega visi 5 LED indikatoriai. Sudėtinė baterija vėl įsijungia ir galima įjungti elektrinį įrankį, kai temperatūra grįžta į leistiną diapazoną.
- Kai baterijos elemento įtampa nukrenta žemiau 2,7 V, sudėtinė baterija išsijungia ir, paspaudus mygtuką, 10 sekundžių raudonai mirksi 5 LED indikatoriai. Rekomenduojama nutraukti darbą ir nedelsiant įkrauti sudėtinę bateriją. Jeigu tokia situacija dažnai kartojasi, prašome kreiptis į mūsų techninės priežiūros specialistus.

⚠️ ĮSPĖJIMAS. Jokiomis aplinkybėmis sudėtinės baterijos negalima kaitinti.

SUDĖTINĖS BATERIJOS ĮKVOVIMAS

Sudėtinė baterija pristatoma iš dalies įkrauta. Prieš pirmą kartą bateriją naudojant, ją reikia įkrauti.

⚠️ ĮSPĖJIMAS. Sudėtinės baterijos nebandykite įkrauti lauke ir nelaikykite drėgmėje. Vandeniui patekus į sudėtinę bateriją ar įkvoviklį, padidėja pavojus patirti elektros smūgį. Papildomą informaciją rasite EGO CHX5500E įkvoviklio naudojimo instrukcijoje.

1. Prijunkite įkvoviklį prie maitinimo įtampos (220–240 V, 50 Hz).
2. Įstatykite baterijos kištuką į įkvoviklį.

3. Jei sudėtinės baterijos įkvovimo procesas vyksta normaliai, mirksi 1 žalias įkvoviklio LED indikatorius. Paspaudus ir bent 1 sekundę palaikius nuspaustą žalią mygtuką, normalus įkvovimas (4A įkvovimo srovė) persijungia į greitąjį įkvovimą (8A įkvovimo srovė); tuomet 1 LED išsijungia ir pradeda mirksėti 2 LED indikatorius.
4. 5 žali nuolat degantys LED indikatoriai rodo, kad sudėtinė baterija pilnai įsikrovė. Palaukite, kol sustos įkvoviklio aušinimo ventiliatorius, ištraukite iš įkvoviklio sudėtinę bateriją ir atjunkite įkvoviklį nuo maitinimo įtampos.

PASTABA

- Palikta įkvoviklyje sudėtinė baterija pilnai įsikraus, tačiau savo įkvovos neviršys.
- Vadovaukitės EGO CHX5500E įkvoviklio naudojimo instrukcijoje pateiktais nurodymais.
- Jei pilnai įkvovus sudėtinę bateriją jos veikimo laikas yra gerokai sutrumpėjęs, tai rodo, kad baigiasi jos eksploataavimo laikas ir ją reikia pakeisti.
- Jeigu baterijos kištuko į kvoviklį iki galo neįstatėte, kvoviklio LED indikatorius nuolat mirksės.
- Įkvovimo metu kvoviklis gali įkaisti. Tai yra normalus kvoviklio veikimo požymis. Įkvovimą vykdykite gerai vėdinamoje vietoje.

USB/12V DC

Nuimkite guminius dangtelius ir į USB / DC lizdus įstatykite USB / DC (nuolatinės srovės) kištukus (C ir D paveiksiai). Tuomet paspauskite USB / DC jungiklį, ir sudėtinė baterija ties maitinimo įtampą prie jos per USB ar DC lizdus prijungtiems prietaisams.

C-1	Guminiai dangteliai	D-2	12V DC lizdas
D-1	USB lizdas	D-3	USB / DC jungiklis

LT

PASTABA

- USB ir 12V DC lizdai maitinimo įtampą gali tiekti vienu metu su 56 V maitinimo šaltiniu. Pasinaudoję USB / 12V DC lizdais, ištraukite iš jų kištukus ir lizdus vėl uždenkite guminiais dangteliais.
- USB / 12V DC lizdų negalima naudoti sudėtinės baterijos įkvovimo metu.

DIRŽŲ KOMPLEKTO PRIKABINIMAS IR ATKABINIMAS NUO SUDĖTINĖS BATERIJOS

Prikabinimas

Įstatykite visas keturias išorines rėmo dalis į tvirtinimo griovelius ir prijunkite diržo iškyšą prie diržo fiksavimo spyruoklės. Tuomet diržų komplektą stumkite aukštyn, kol išgirsite spragtelėjimą. (E pav.).

E-1	Tvirtinimo griovelis	E-3	Diržo iškyša
E-2	Rėmo iškyša		

Atkabinimas

Paspauskite abu atpalaidavimo diržų mygtukus už rėmo ir diržus ištraukite (F pav.).

SUDĖTINĖS BATERIJOS UŽSIDĖJIMAS

Paprastai sudėtinė baterija su diržais tvirtinama ir nešiojama ant nugaros. Kad dirbti būtų patogiau ir darbas mažiau vargintų, diržų komplektas sujungiamas juosmens srityje ir pečių srityje, taip užtikrinant judesį laisvę.

Juosmens diržo ir pečių juostų ilgį galima lengvai reguliuoti. Nugaros pagalvėlė turi tvirtai priglusti prie jūsų nugaros.

- Prieš pradėdami dirbti susireguliuokite juosmens diržo ir pečių juostų ilgius, kad būtų patogu dirbti, o jų ilgis turi atitikti jūsų kūno sudėjimą.
- Abi diržo sagties dalis ir krūtinės sagties dalis įstatykite vieną į kitą ir užsekite, kad išgirstumėte spragtelėjimą (G ir H paveikslai).
- Susireguliuokite krūtinės juostų ilgį, kad būtų patogu (I pav.).
- Dar kartą sureguliuokite diržo juostas ir krūtinės juostų ilgį.
- Laisvus juosmens diržo ir krūtinės juostų galus įkiškite į tamprias kilpas (J pav.).

LT

KAIP ĮDĖTI IR IŠIMTI SUDĖTINĖS BATERIJAS

Įkrovimas prieš pirmą kartą naudojant

Prakiškite sudėtinės baterijos kabelį pro diržus kūno šone ir prijunkite elektrinį įrankį prie 1,5 m ilgio prijungimo kabelio. Vykdykite tolesnius nurodymus elektrinio įrankio naudojimo instrukcijoje.

Prijungimas (K pav.)

Sulyginę ▲ simbolius ant kištuko ir elektrinio įrankio, kiškite kištuką į elektrinio įrankio lizdą, kol žalias jo tarpiklis visiškai pasislėps lizde.

Atjungimas

Ištraukite iš elektrinio įrankio kištuką.

▲ **ĮSPĖJIMAS.** Kritiniu atveju nedelsiant nuo pečių nusiimkite sudėtinę bateriją. Greitai nusiimti galite atsege diržo ir krūtinės juostų sagtis, o po to kaip kuprinę nusiėmę juostas nuo kiekvieno peties.

▲ **ĮSPĖJIMAS.** Pėčių juostų neįtempkite per daug, nes gali būti sunku nusiimti sudėtinę bateriją.

▲ **ĮSPĖJIMAS.** Prie sudėtinės baterijos galima jungti tik kai kuriuos EGO gaminius, išvardintus „SPECIFIKACIJŲ“ skyriuje. Su kitais elektriniais įrankiais šios sudėtinės baterijos nerekomenduojama naudoti.

TECHNINĖ PRIEŽIŪRA

▲ **ĮSPĖJIMAS.** Sudėtinę bateriją remontuoti ir keisti gali tik kvalifikuoti EGO techninės priežiūros centro specialistai.

▲ **ĮSPĖJIMAS.** Tam, kad būtų išvengta sunkaus sužalojimo, keičiant prietaiso priedus, jį valant arba atliekant jo techninės priežiūros darbus sudėtinė baterija visada turi būti išimta.

▲ **ĮSPĖJIMAS.** Atliekdami techninės priežiūros darbus, naudokite tik originalias EGO atsargines dalis. Bet kokių kitų dalių naudojimas gali kelti pavojų arba sugadinti gaminį.

▲ **ĮSPĖJIMAS.** Jeigu valymas suslėgtu oru yra vienintelis valymo būdas, visada dėvėkite apsauginius akinius arba apsauginius akinius su šonine apsauga. Jeigu valymo metu susidaro daug dulkių, naudokite respiratorių.

BENDROJI TECHNINĖ PRIEŽIŪRA

Valydami plastikines dalis nenaudokite tirpiklių. Įvairių rūšių rinkai teikiami tirpikliai gali pažeisti daugelis plastikų ir neturėtų būti naudojami, nes gali sugadinti gaminį. Purvo, dulkių, alyvos, tepalo ir pan. valymui naudokite švarų audinį.

▲ **ĮSPĖJIMAS.** Jokiu būdu neleiskite ant plastikinių dalių patekti stabdžių skysčiui, benziniui, naftos produktams, skvarbiai alyvai ir pan. Chemikalai gali sugadinti, susilpninti arba suardyti plastiką. Dėl to galite sunkiai susižaloti.

ACUMULATORII

Neardykite sudėtinių baterijų ir nebandykite pakeisti jų elementų. Tvarkant baterijas, ypač kai dėvimi žiedai ir papuošalai, galima sunkiai nusideginti. Norėdami užtikrinti ilgiausią įmanomą baterijų eksploatavimo trukmę, perskaitykite naudojimo instrukciją, kad suprastumėte jų veikimą.

⚠️ ĮSPĖJIMAS. Patartina atjungti įkroviklį ir nuimti sudėtinę bateriją, kai ji nenaudojama.

SUDĖTINĖS BATERIJOS IŠĖMIMAS IR PARUOŠIMAS PERDIRBIMUI



Li-ion

Draudžiama išmesti baterijų įkroviklį ir baterijas ar įkraunamas baterijas kartu su buitinėmis atliekomis. Pagal Europos Parlamento ir Tarybos direktyvas 2012/19/EB ir 2006/66/EB nenaudojama elektros ir elektronikos įranga ir nenaudojamos ar sugedę sudėtinės baterijos ir (ar) baterijos turi būti surenkamos atskirai ir utilizuojamos aplinkai nekenkiančiu būdu.

Dėl galimų perdirbimo ir (arba) šalinimo būdų pasitarkite su vietine atliekų tvarkymo institucija.

⚠️ ĮSPĖJIMAS. Prieš utilizuodami arba atiduodami perdirbti išimta sudėtinę bateriją, apvyniokite jos gnybtus tvirta lipnia juosta. Sudėtinės baterijos nebandykite laužyti ar ardyti ir neišimkite jokių jos dalių. Ličio jonų baterijas reikia atiduoti perdirbti arba tinkamai utilizuoti. Be to, baterijos gnybtų niekada nelieskite metaliniais daiktais ir (ar) kūno dalimis, nes galite sukelti trumpąjį jungimą. Saugokite nuo vaikų. Nesilaikant šių įspėjimų galima sukelti gaisrą ir (ar) sunkiai susižaloti.



TRIKČIŲ DIAGNOSTIKA

PROBLEMA	PRIEŽASTIS	ŠALINIMAS
Elektrinis įrankis neveikia	<ul style="list-style-type: none">■ Nėra elektrinio kontakto tarp elektrinio įrankio ir baterijos.■ Sudėtinė baterija visiškai išsikrovusi.■ Sudėtinė baterija arba elektrinis įrankis pernelyg įkaitęs.■ Pažeistas kabelis arba kištukas.■ Baterijos elemento įtampa nesiekia 2,7 V.	<ul style="list-style-type: none">■ Prijunkite prie elektrinio įrankio sudėtinę bateriją.■ Įkraukite sudėtinę bateriją.■ Leiskite sudėtinei baterijai arba elektriniam įrankiui atvėsti, kad temperatūra nukristų iki normalios.■ Kreipkitės į EGO techninės priežiūros centrą.■ Nedelsdami įkraukite sudėtinę bateriją.
Sudėtinės baterijos negalima įkrauti	<ul style="list-style-type: none">■ Baterijos temperatūra viršija leistinos temperatūros ribas.■ Nėra elektrinio kontakto tarp baterijos ir įkroviklio.■ Įkroviklis atsijungė nuo maitinimo įtampos.	<ul style="list-style-type: none">■ Sustabdykite įkrovimo ar iškrovimo procesą, kol temperatūra vėl grįš į darbinio diapazono ribas.■ Vėl įstatykite sudėtinę bateriją į įkroviklį.■ Dar kartą įkiškite įkroviklio kištuką į maitinimo įtampos lizdą.

GARANTIJA

EGO GARANTINIS POLISAS

Norėdami sužinoti visas „EGO“ garantinio poliso sąlygas, apsilankykite interneto svetainėje egopowerplus.com.

LT

JĀIZLASA LIETOTĀJA ROKASGRĀMATA (AKUMULATORS)



IZLASIET VISUS NORĀDĪJUMUS!

⚠️ Atlikušais risks! Personām, kas lieto elektroniskas ierīces, piemēram kardiostimulatoru, pirms šī produkta lietošanas jākonsultējas ar savu ārstu. Elektriska aprīkojuma darbība sirds kardiostimulatora tiešā tuvumā var izraisīt ievaināšanos kardiostimulatora darbībā vai tā darbības atteici.

⚠️ BRĪDINĀJUMS! Lai garantētu drošību un uzticamību, ierīces remontu un tās detaļu nomaiņu uzticiet veikt tikai kvalificētam servisa tehniķim.

DROŠĪBAS SIMBOLI

Drošības simbolu uzdevums ir pievērst jūsu uzmanību iespējamam apdraudējumam. Pievērsiet rūpīgu uzmanību drošības simboliem un to skaidrojumiem, un izprotiet tos. Simbolu brīdinājumi paši par sevi nenovērš apdraudējumu. To sniegtie norādījumi un brīdinājumi nevar aizstāt atbilstošus ārkārtas situāciju novēršanas pasākumus.

⚠️ BRĪDINĀJUMS: Pārlicinieties, ka pirms lietot šo instrumentu esat izlasījis un izpratis visus šīs lietotāja rokasgrāmatas drošības norādījumus, tostarp arī visus drošības brīdinājuma simbolus, piemēram, "BĪSTAMI", "BRĪDINĀJUMS" UN "PIESARDZĪBU". Neievērojot kādu no zemāk uzskaitītajiem norādījumiem, iespējams gūt elektriskās strāvas triecienu, izraisīt ugunsgrēku un/vai gūt nopietnus miesas bojājumus.

⚠️ BRĪDINĀJUMS! Ugunsbīstamības un apdedzināšanās risks. Neizjauciet, nededziniet vai nekarsējiet temperatūrā virs 100 °C. Kamēr akumulatora bloku neizmantojat, uzglabājiet to bērniem nepieejamā vietā, oriģinālajā iepakojumā. Lietotus akumulatora blokus nekavējoties utilizējiet saskaņā ar vietējiem noteikumiem par atkritumiem vai otrreizējo pārstrādi.

DROŠĪBAS NORĀDĪJUMI

Šajā lappusē ir attēloti un aprakstīti drošības simboli, kas var būt uz šī produkta. Pirms iekārtas salikšanas un darbināšanas izlasiet, izprotiet un ievērojiet visus norādījumus par iekārtu.

	Drošības brīdinājums	Norāda uz iespējamu miesas bojājumu risku.
	Jāizlasa lietotāja rokasgrāmata	Lai mazinātu traumu gūšanas risku, pirms šī produkta lietošanas lietotājam jāizlasa un jāizprot lietotāja rokasgrāmata.
	Otrreizējās pārstrādes simboli	Neizmetiet akumulatoru blokus/akumulatorus sadzīves atkritumos, ugunī vai ūdenī. Akumulatoru bloki/akumulatori ir jāsavāc, jāpārstrādā atkārtoti vai jāutilizē videi draudzīgā veidā.
	CE	Šis izstrādājums atbilst piemērojamām EK direktīvām.
	EEIA	Elektrisko izstrādājumu atkritumus nedrīkst izmest kopā ar sadzīves atkritumiem. Nogādāt uz pilnvarotu pārstrādes punktu.
V	Volti	Spriegums
A	Ampēri	Strāva
W	Vati	Jauda
min	Minūtes	Laiks
	Līdzstrāva	Strāvas veids vai raksturlielums

⚠️ BRĪDINĀJUMS! Izlasiet un izprotiet visus norādījumus. Šo norādījumu neievērošanas sekas var radīt elektriskās strāvas triecienu, ugunsgrēku un/vai nopietnus miesas bojājumus. Termins „elektroinstruments” lielākajā daļā norādītajos brīdinājumos attiecas uz „EGO Power+” ar akumulatoru darbināmajām (bezvadu) zāliena un dārza iekārtām.

DARBA ZONAS DROŠĪBA

- **Gādājiet par to, lai darba zona būtu tīra un labi apgaismota.** Strādājot nekārtīgās vai tumšās vietās, rodas nelaimes gadījumi.

LV

- Nedarbiniet elektroinstrumentus sprādzienbīstamās vidēs, piemēram, vidē, kurā atrodas uzliesmojoši šķidrums, gāzes vai putekļi. Elektroinstrumenti rada dzirksteles, kas var aizdedzināt putekļus vai tvaikus.

ELEKTRODROŠĪBA

- Nepakļaujiet elektroinstrumentus lietus vai mitruma iedarbībai. Ja elektroinstrumentā iekļūst ūdens, palielinās elektriskās strāvas trieciena gūšanas risks.
- Izmantojiet tikai „SPECIFIKĀCIJĀS” norādītos lādētājus un elektroinstrumentus.

AKUMULATORA BLOKA LIETOŠANA UN APKOPE

- Ja akumulatoru bloks netiek lietots, sargiet to no citiem metāliskiem objektiem, piemēram, papīra saspraudēm, monētām, atslēgām, naglām, skrūvēm vai citiem neliela izmēra metāliskiem objektiem, kas var izveidot savienojumu starp spailēm. Izveidojot īsslēgumu starp akumulatora spailēm, iespējams gūt apdegumus vai izraisīt ugunsgrēku.
- Nepareizos izmantošanas apstākļos no akumulatora var iztect šķidrums; izvairieties no saskares ar to. Ja nejausi saskaraties ar šķidrumu, noskalojiet ar ūdeni. Ja šķidrums nonāk saskarē ar acīm, papildus vērsieties pēc medicīniskas palīdzības. No akumulatora iztecejis šķidrums var izraisīt kairinājumu vai apdegumus.
- Neizjauciet, neatveriet un neplēsiet sekundāro akumulatoru.
- Sargiet akumulatoru no karstuma un liesmām. Neuzglabājiet tiešos saules staros.
- Neveidojiet elementa vai akumulatora īsslēgumu. Neuzglabājiet elementus vai akumulatorus brīvi kastē vai atvilktnē, kur tie var izveidot īsslēgumu viens ar otru vai izveidot īsslēgumu ar citu metāla priekšmetu starpniecību.
- Neizņemiet akumulatoru no oriģinālā iepakojuma līdz brīdim, kamēr to nav plānots izmantot.
- Nepakļaujiet elementus vai akumulatorus mehāniskam triecienam.
- Uzglabājiet akumulatoru bērniem nepieejamā vietā. Ja akumulators ticis norīts, nekavējoties vērsieties pēc medicīniskas palīdzības.
- Gādājiet, lai akumulators būtu tīrs un sauss.
- Ja akumulatora spaiļes kļūst netīras, noslaukiet tās ar tīru un sausu lupatiņu.
- Sekundārais akumulators pirms lietošanas ir jāuzlādē. Lai ierīci uzlādētu pareizi, vienmēr izmantojiet pareizo lādētāju un izlasiet ražotāja norādījumus vai aprīkojuma rokasgrāmatu.

- Ja akumulators netiek lietots, neatstājiet to uzlādes ierīcē ilgāk, kā tas ir nepieciešams.
- Ja akumulatori tika ilgstoši uzglabāti, var gadīties, ka, lai tiktu sasniegta to maksimālā veiktspēja, tos būs jāuzlādē un jāuzlādē vairākas reizes.
- Saglabājiet oriģinālo produkta informāciju vēlākai pārļasišanai.
- Izmantojiet akumulatoru tikai tam paredzētajam lietojumam.
- Kad vien iespējams, izņemiet akumulatoru no aprīkojuma, kad tas netiek lietots.
- Utilizējiet atbilstoši.

APKOPE

- Ievērojiet šīs rokasgrāmatas apkopes sadaļā iekļautos norādījumus. Izmantojot neautorizētas detaļas vai neievērojot apkopes norādījumus pastāv risks gūt elektriskās strāvas triecienus vai traumas.

SPECIFISKI DROŠĪBAS NOTEIKUMI

- Pārziniet savu elektroinstrumentu. Uzmanīgi izlasiet lietotāja rokasgrāmatu. Apgūstiet instrumenta pielietojumu un tā iespēju robežas, kā arī apziniet iespējamo apdraudējumu, kas ir saistīts ar šo instrumentu. Ievērojot šo noteikumu, mazinās elektriskās strāvas trieciena, ugunsgrēka vai nopietnas traumas gūšanas risks.
- Ar akumulatoru darbināmiem instrumentiem nav jābūt pievienotiem elektrotīklam, tādējādi tie vienmēr ir gatavi darbam. Apzinieties iespējamos apdraudējumus, kas pastāv, kad nelietojat savu ar akumulatoru darbināmo instrumentu. Pirms piederumu mainīšanas vienmēr noņemiet akumulatoru. Ievērojot šo noteikumu, mazinās elektriskās strāvas trieciena, ugunsgrēka vai nopietnu miesas bojājumu gūšanas risks.
- Nesaspiediet, nenometiet zemē un nebojājiet akumulatora bloku. Nelietojiet akumulatora bloku vai lādētāju, ja tas bija nokritis zemē vai pakļauts asam triecienam. Bojāts akumulators var uzsprāgt. Nokritis vai bojāts akumulators nekavējoties atbilstoši jāutilizē.
- Neveiciet akumulatora uzlādi mitrā vai slapjā vietā. Ievērojot šo noteikumu, mazinās elektriskās strāvas trieciena gūšanas risks.
- Lai iegūtu optimālāko rezultātu, akumulatora uzlāde jāveic vietā, kurā temperatūra ir virs 0° un ne augstāka par 40°. Neuzglabājiet akumulatoru ārpus telpām vai automašīnās.

- **Neļaujiet benzīnam, eļļām, uz naftas bāzes izgatavotiem produktiem u.c. nonākt saskarē ar plastikāta detaļām.** Šīs vielas satur ķīmiskas vielas, kas var bojāt vai iznīcināt plastikāta detaļas vai padarīt tās trauslas.
- **Akumulatora bloka apkopi lieciet veikt kvalificētām personām, kas izmanto tikai identiskas rezerves daļas.** Tādējādi tiek nodrošināta akumulatoru bloka drošības saglabāšana.
- **Saglabājiet šos norādījumus!** Laiku pa laikam pārskatiet tos un izmantojiet tos, lai instruētu citas personas, kas varētu izmantot šo instrumentu. Ja jūs šo instrumentu aizdodat kādai citai personai, aizdodiet arī šo rokasgrāmatu, lai nepieļautu, ka produkts tiek lietots nepareizi, kā arī lai izvairītos no iespējamām traumām.

SPECIFIKĀCIJAS

Nominālais spriegums	56V
Maks. jauda	1568Wh
Saderīgais lādētājs	CHX5500E
Uzlādes strāva	Ātrā uzlāde: 8A Parastā uzlāde: 4A
Uzlādes laiks	Ātrā uzlāde: Apmēram 3,5h Parastā uzlāde: Apmēram 7h
Saderīgie elektroinstrumenti	LBX6000, HTX6500, BCX3800
Svars	8,7kg
Izlādei noteiktais apkārtējās vides temperatūras diapazons	-20°C~40°C

APRAKSTS

PĀRZINIET SAVU LĀDĒTĀJU (A att.)

1. Kabelis
2. Rokturis
3. USB ports
4. USB/DC slēdzis
5. 12 DC ports
6. Strāvas indikators un pogas tipa slēdzis
7. Plecu siksnas fiksācijas atspere
8. Jostas fiksācijas atspere
9. Drošinātāju bloka vāciņš
10. Plecu siksnas
11. Korpusa
12. Tīkliņš
13. Josta
14. Drošības aprīkojums (tiek pārdots atsevišķi pa daļām)
15. Gurnu polsterējums (tiek pārdots atsevišķi)

LIETOŠANA

AKUMULATORA BLOKA JAUDAS INDIKATORS (B att.)

Šis litiņa jonu mugursomas tipa akumulators ir aprīkots ar jaudas indikatoru, kas uzrāda akumulatora bloka uzlādes statusa līmeni un kļūmes. Kad akumulators netiek uzlādēts, nospiediet jaudas indikatoru, lai apskatītu uzlādes statusu. LED indikators degs 10 sekundes.

- Uzlādējot akumulatoru, LED indikators, nospiežot pogas tipa slēdzi, var parādīt dažādus zemāk norādītos interfeisus.

UZLĀDĒŠANA						
Akumulatora uzlādes statuss / kļūme	LED gaismas					Piezīmes
	1	2	3	4	5	
<20 %	Mirgo zaļā krāsā	Nedeg	Nedeg	Nedeg	Nedeg	1 mirgo
20 % ≤ uzlādes statuss < 40 %	Deg	Mirgo zaļā krāsā	Nedeg	Nedeg	Nedeg	1 deg, 1 mirgo
40 % ≤ uzlādes statuss < 60 %	Deg	Deg	Mirgo zaļā krāsā	Nedeg	Nedeg	2 deg, 1 mirgo
60 % ≤ uzlādes statuss < 80 %	Deg	Deg	Deg	Mirgo zaļā krāsā	Nedeg	3 deg, 1 mirgo
80 % ≤ uzlādes statuss < 100 %	Deg	Deg	Deg	Deg	Mirgo zaļā krāsā	4 deg, 1 mirgo
Uzlādes statuss = 100 % (uzlādēts pilnībā)	Deg	Deg	Deg	Deg	Deg	5 deg vairākas minūtes, pēc tam izslēdzas
Akumulatora nevar uzlādēt	Nedeg	Nedeg	Nedeg	Nedeg	Nedeg	Visas 5 LED gaismas būs izslēgtas
Pārsniegta akumulatora temperatūra	Nedeg	Nedeg	Nedeg	Nedeg	Nedeg	Visas 5 LED gaismas būs izslēgtas

Ja mugursomas tipa akumulators ir izlādējies vai netiek izmantots, **NOSPIEDIET POGAS TIPA SLĒDZI**, UN LED indikators parādīs kādu no zemāk redzamajiem interfeisiem.

IZLĀDĒJIES/NETIEK IZMANTOTS						
Akumulatora uzlādes statuss / kļūme	LED gaismas					Piezīmes
	1	2	3	4	5	
80 % < uzlādes statuss ≤ 100 %	Deg	Deg	Deg	Deg	Deg	Nospiežot pogu, visas 5 LED gaismas degs 10 sekundes.
60 % < uzlādes statuss ≤ 80 %	Deg	Deg	Deg	Deg	Nedeg	Nospiežot pogu, 4 LED gaismas degs 10 sekundes.
40 % < uzlādes statuss ≤ 60 %	Deg	Deg	Deg	Nedeg	Nedeg	Nospiežot pogu, 3 LED gaismas degs 10 sekundes.
20 % < uzlādes statuss ≤ 40 %	Deg	Deg	Nedeg	Nedeg	Nedeg	Nospiežot pogu, 2 LED gaismas degs 10 sekundes.
10 % < uzlādes statuss ≤ 20 %	Deg	Nedeg	Nedeg	Nedeg	Nedeg	Nospiežot pogu, 1 LED gaisma degs 10 sekundes.
<10 %	Mirgo zaļā krāsā	Nedeg	Nedeg	Nedeg	Nedeg	Nospiežot pogu, 1 LED gaisma mirgos 10 sekundes.
Zem sprieguma (<2,7V)	Mirgo sarkanā krāsā	Mirgo sarkanā krāsā	Mirgo sarkanā krāsā	Mirgo sarkanā krāsā	Mirgo sarkanā krāsā	Nospiežot pogu, visas 5 gaismas mirgos 10 sekundes sarkanā krāsā.
Pārsniegta akumulatora temperatūra	Deg sarkanā krāsā	Deg sarkanā krāsā	Deg sarkanā krāsā	Deg sarkanā krāsā	Deg sarkanā krāsā	Nospiežot pogu, visas 5 gaismas degs 10 sekundes sarkanā krāsā.

AKUMULATORA AIZSARDŽĪBA

Akumulatora elektriskā shēma nodrošina akumulatora blokam aizsardzību no galējām temperatūrām, dziļas izlādes stāvokļa un pārlādes. Ja akumulatora blokā rodas pārslodze vai lietošanas laikā pārāk stipri paaugstinās vai pazeminās temperatūra, elektriskā shēma izslēdz akumulatora bloku, lai pasargātu no bojājumiem un paildinātu tā kalpošanas laiku. Tas var notikt situācijās, kad ir ļoti augsts griezes moments, berze vai bremzējoša iedarbība.

- Uzlādējot akumulatoru, izslēdzas akumulatora bloks un, ja temperatūra pārsniedz 60 °C vai samazinās zem 0 °C, izslēdzas visas 5 LED gaismas. Ja 90 minūšu laikā temperatūra atgriežas normālā stāvoklī, akumulators automātiski atsāk darboties. Ja tas tā nenotiek, akumulators izslēgsies, un Jums būs vēlreiz jāiesprauž kontaktdakša lādētājā, lai aktivizētu uzlādes procesu.
- Ja akumulatora elementa spriegums pārsniedz aizsardzības spriegumu, akumulatora bloks izslēdzas kopā ar visām 5 LED gaismām. Šādā gadījumā vēlams nekavējoties izlādēt akumulatora bloku. Ja šī problēma atkārtojas vairākas reizes, sazinieties ar EGO servisa centru.
- Ja akumulatora bloka temperatūra izlādes laikā pārsniedz 70°C vai -20°C diapazonu, akumulatora bloks, nospiežot pogu, izslēgsies un visas 5 LED gaismas degs 10 sekundes sarkanā krāsā. Abos gadījumos, atgriežoties normālai darba temperatūrai, akumulatora bloks atsāks darboties un būs iespējams vēlreiz ieslēgt elektroinstrumentu.
- Ja akumulatora elementa strāvas spriegums būs mazāks par 2,7 V, akumulatora bloks pēc pogas nospiešanas izslēgsies, un 10 sekundes sarkanā krāsā mirgos 5 LED gaismas. Šādā gadījumā vēlams nekavējoties pārtraukt darbu un uzlādēt akumulatora bloku. Ja šī problēma atkārtojas vairākas reizes, sazinieties ar servisa tehniķi, lai saņemtu palīdzību.

▲ BRĪDINĀJUMS! Nekādā gadījumā nekarsējiet akumulatora bloku.

AKUMULATORA BLOKA UZLĀDE

Akumulatora bloks tiek piegādāts daļēji uzlādētā stāvoklī. Akumulators pirms pirmās lietošanas reizes ir jāuzlādē.

▲ BRĪDINĀJUMS! Nelādējiet akumulatora bloku ārpus telpām un nepakļaujiet lielum vai mitrum apstākļiem. Ūdens iekļūšana lādētājā vai akumulatora blokā paaugstina risku saņemt elektriskās strāvas triecienu. Papildinformāciju varat atrast EGO CHX5500E lādētāja lietošanas instrukcijā.

1. Pievienojiet lādētāju barošanas avotam (220-240V~50Hz).
2. Iespraudiet lādētājā akumulatora kontaktdakšu.
3. Ja akumulatora bloks tiek uzlādēts, veicot parasto uzlādi, uz lādētāja mirgos LED1 zaļā krāsā. Nospiežot un pieturot zaļo pogu vismaz 1 sekundi, parastā uzlāde (uzlādes strāva 4A) tiks apturēta un sāksies ātrā uzlāde (uzlādes strāva 8A), un lādētājā sāks mirgot zaļā LED2, bet LED1 izslēgsies.
4. Ja uz akumulatora bloka nepārtraukti deg visas 5 LED gaismas, akumulators ir pilnībā uzlādēts. Pagaidiet, kamēr lādētāja dzesēšanas ventilators apstājas, pēc tam izņemiet akumulatora bloku no lādētāja un atvienojiet lādētāju no barošanas avota.

PIEZĪME!

- Akumulatora bloks pilnībā uzlādēties, ja to atstāsiēt lādētājā, un tas netiks pārlādēts.
- Lai uzzinātu vairāk, izlasiet EGO CHX5500E lādētāja lietotāja rokasgrāmatā iekļautos norādījumus.
- Ja akumulatora bloks ir pilnībā uzlādēts, bet tā darbības laiks ir ievērojami saīsinājies, tas norāda, ka akumulatora kalpošanas laiks tuvojas beigām un tie ir jānomaina.
- Ja kontaktdakša nebūs pilnībā iesprausta, lādētāja LED gaisma mirgos visu laiku.
- Lādēšanas laikā lādētājs var sakarst. Tas lādētāja darbībā ir normāli. Uzlādējiet akumulatoru labi vēdināmā telpā.

USB/12V DC

Noņemiet gumijas aizsargvāciņus un iespraudiet USB/DC kontaktdakšas USB/DC portos (C un D att.). Pēc tam nospiediet USB/DC pogas tipa slēdzi, un akumulatora bloks sāks padot strāvu ierīcēm, kas būs pievienotas akumulatora blokam, izmantojot USB vai DC portus.

C-1	Gumijas aizsargvāciņi	D-2	12V DC ports
D-1	USB ports	D-3	USB/DC slēdzis

LV

PIEZĪME!

- USB un 12V DC jaudas funkcijas var darboties ar 56 V barošanas avotu vienlaikus. Kad USB/12V DC vairs neizmantojat, izvelciet USB/DC kontaktdakšas un uzlieciet atpakaļ gumijas aizsargvāciņus.
- Akumulatora bloka uzlādes laikā neizmantojiet USB/12V DC.

DROŠĪBAS APRĪKOJUMA PIESTIPRINĀŠANA/ NOŅĒMŠANA NO AKUMULATORA BLOKA

Lai piestiprinātu

Salāgojiet visas korpusa izejas daļas ar gropēm un savienojiet uz jostas esošo izcilni ar siksnas fiksācijas atsperi. Pēc tam velciet drošības aprīkojumu uz augšu, līdz ir dzirdama klikšķa skaņa. (E attēls).

E-1	Grope	E-3	Jostas grope
E-2	Korpusa grope		

Lai noņemtu

Nošpietiet abas atbrīvošanas pogas, kas atrodas aiz korpusa, un noņemiet korpusu (F att.).

AKUMULATORA BLOKA UZLIKŠANA

Parasta darba laikā akumulatora bloku ar drošības aprīkojumu nēsā uz muguras. Lai nenogurtu un varētu ērti strādāt, drošības aprīkojumam ir jostas kniežu un plecu siksnu savienojums, kas ļauj aprīkojuma valkātājam brīvi pārvietoties.

Jostas kniežu un plecu siksnas savienojuma garumu var brīvi noregulēt. Aizmugurē esošajam polsterējumam ir stingri un droši jāpiekļaujas Jūsu mugurai.

- Pirms parasta darba uzsākšanas noregulējiet jostas un plecu siksnas garumu tā, kā Jums ir ērtāk; garumam ir jāatbilst Jūsu augumam, ko var pielāgot, izmantojot kniežu un plecu siksnas savienojumiem.
- Ielieciet abas drošības jostas sprādzes daļas un krūšu daļas sprādzi vienu otrā un piespiediet, līdz ir dzirdama klikšķa skaņa (G un H att.).
- Noregulējiet krūšu daļas sprādzes augstumu tā, kā Jums ir ērtāk (I att.).
- Noregulējiet jostas siksnas un krūšu daļas siksnas garumu.
- Atlikušos gurnu jostas un krūšu daļas siksnas galus ievietiet aiz gumijas (J att.).

LV

AKUMULATORA BLOKA PIEVIENOŠANA UN ATVIENOŠANA

Akumulators pirms pirmās lietošanas reizes ir jāuzlādē

Izveriet akumulatora bloka kabeli gar sāniem un savienojiet elektroinstrumentus ar 1,5 m savienojuma kabeli. Papildinformāciju skatiet elektroinstrumenta rokasgrāmatas instrukcijās.

Ievietošana (K att.)

Iespraudiet kontaktdakšu elektroinstrumenta kontaktlīdzdā tā, lai vairs nav redzama zaļā atzīme, un ievērojiet uz kontaktdakšas un elektroinstrumenta norādīto savienošanas apzīmējumu ▲.

Noņemšana

Izvelciet kontaktdakšu no elektroinstrumenta.

▲ BRĪDINĀJUMS! Avārijas gadījumā nekavējoties noņemiet no pleciem akumulatora bloku. Ātrs veids, kā to izdarīt, ir atbrīvot jostas un krūšu daļas sprādzi un noņemt abās pusēs plecu siksnas.

▲ BRĪDINĀJUMS! Nesavelciet plecu siksnas pārāk stingri, jo tas var apgrūtināt akumulatora bloka noņemšanu.

▲ BRĪDINĀJUMS! Kopā ar šo akumulatora bloku var lietot tikai dažus EGO produktus, kas ir norādīti sadaļā „SPECIFIKĀCIJA”. Akumulatora bloka lietošana kopā ar citiem elektroinstrumentiem nav ieteicama.

APKOPE

▲ BRĪDINĀJUMS! Akumulatora bloku drīkst labot vai nomainīt tikai kvalificēta EGO servisa centra tehniķi.

▲ BRĪDINĀJUMS! Lai izvairītos no nopietniem miesas bojājumiem, vienmēr izņemiet akumulatoru bloku no instrumenta, kad veicat piederumu maiņu, tīrīšanu vai jebkāda veida apkopes darbus.

▲ BRĪDINĀJUMS! Veicot apkopes darbus, vienmēr izmantojiet identiskas EGO rezerves daļas. Izmantojot jebkādas citas detaļas, var tikt radīts apdraudējums vai iespējams bojāt produktu.

▲ BRĪDINĀJUMS! Ja tīrīšana ar saspīestu gaisu ir vienīgais veids, kā iespējams veikt tīrīšanu, vienmēr lietojiet standarta aizsargbrilles vai aizsargbrilles ar sānu aizsargiem. Ja darbības laikā rodas putekļi, lietojiet arī elpceļu aizsargmasku.

VISPARĪGĀ APKOPE

Tīrot plastikāta detaļas, izvairieties no šķīdinātāju lietošanas. Tirdzniecībā iegādājami šķīdinātāji boja vairumu plastmasas materiālu, un, tos lietojot, iespējams sabojāt plastmasu. Lai notīrītu netīrumus, putekļus, eļļu, smērvielas u.c., izmantojiet tīras drāniņas.

⚠ BRĪDINĀJUMS: Nekad neļaujiet bremžu šķidrumiem, benzīnam, uz naftas bāzes izgatavotiem produktiem, zemas viskozitātes eļļām nonākt saskarē ar plastikāta detaļām. Ķīmiskās vielas var bojāt, vājināt vai iznīcināt plastmasu, tādējādi radot nopietnu miesas bojājumu gūšanas risku.

AKUMULATORI

Neizjauciet akumulatora bloku, mēģinot nomainīt elementus. Darbojoties ar akumulatoriem, it īpaši, ja tiek nēsāti gredzeni vai rotaslietas, iespējams gūt smagus apdegumus. Lai akumulatori kalpotu maksimāli ilgāk, izlasiet un izprotiet lietotāja rokasgrāmatu.

⚠ BRĪDINĀJUMS! Ja akumulatora bloks netiek lietots, iesakām izņemt akumulatora bloku un atvienot lādētāju no elektrotilkla.

AKUMULATORU BLOKA IZŅEMŠANA UN SAGATAVOŠANA OTRREIZĒJAI PĀRSTRĀDEI



Li-ion

Neizmetiet lādētāju un baterijas/akumulatorus saimniecības atkritumos! Saskaņā ar Eiropas Parlamenta un Padomes Direktīvu Nr. 2012/19/ES, kā arī Direktīvu Nr. 2006/66/EK nederīgas elektriskās un elektroniskās iekārtas un bojāti vai izmantoti akumulatori/baterijas jāsavāc atsevišķi un jāutilizē videi nekaitīgā veidā.

Lai iegūtu informāciju par iespējamajām otrreizējās pārstrādes un/vai utilizēšanas iespējām, sazinieties ar vietējo par atkritumu apsaimniekošanu atbildīgo varas iestādi.

⚠ BRĪDINĀJUMS! Pēc akumulatora bloka izņemšanas, lai veiktu tā utilizēšanu vai nodošanu atkārtotai pārstrādei, pārklājiet akumulatora bloka spaiļus ar EN izturīgu līmlenti. Nemēģiniet iznīcināt vai izjaukt akumulatora bloku, vai izņemt kādu no tā sastāvdaļām. Litija jonu akumulatoru atkārtota pārstrāde vai utilizēšana ir jāveic pareizi. Tāpat nekad nepieskarieties spaiļiem ar metāliskiem priekšmetiem un/vai ķermeņa daļām, jo tādējādi iespējams izveidot īsslēgumu. Sargiet no bērniem. Neievērojot šos brīdinājumus, iespējams izraisīt ugunsgrēku un/vai gūt nopietnas traumas.

LV



PROBLĒMU NOVĒRŠANA

PROBLĒMA	CĒĻONIS	RISINĀJUMS
Elektroinstruments nedarbojas.	<ul style="list-style-type: none">■ Starp elektroinstrumentu un akumulatoru nav elektriskā savienojuma.■ Akumulatora bloks ir izlādējies.■ Akumulatora bloks vai elektroinstruments ir pārāk karsti.■ Kabelis vai kontaktdakša nav darba stāvoklī.■ Akumulatora elementa spriegums ir zem 2,7 V.	<ul style="list-style-type: none">■ Ievietojiet elektroinstrumentā akumulatora bloku.■ Uzlādējiet akumulatora bloku.■ Ļaujiet akumulatora blokam vai elektroinstrumentam atdzist, līdz temperatūra sasniedz normālas vērtības.■ Sazinieties ar EGO servisa centru.■ Nekavējoties uzlādējiet akumulatora bloku.
Akumulatora bloku nevar uzlādēt	<ul style="list-style-type: none">■ Akumulatora temperatūra ir augstāka vai zemāka par norādītajām vērtībām.■ Starp akumulatoru un lādētāju nav elektriskā savienojuma.■ Savienojums starp lādētāju un barošanas avotu izveidots nepareizi.	<ul style="list-style-type: none">■ Pārtrauciet uzlādi vai izlādi līdz brīdim, kamēr temperatūra nesasniedz normālas vērtības.■ Ievietojiet akumulatora bloku lādētājā.■ Iespraudiet lādētāja kontaktdakšu barošanas avotā.

GARANTĪJA

EGO GARANTĪJAS POLITIKA

Lūdzu, apmeklējiet tīmekļa vietni egopowerplus.com, kur pieejama pilna EGO Garantijas politikas noteikumu un nosacījumu versija.

LV

READ OPERATOR'S MANUAL(BATTERY)



ΔΙΑΒΑΣΤΕ ΟΛΕΣ ΤΙΣ ΟΔΗΓΙΕΣ!

⚠ Residual risk! People with electronic devices, such as pacemakers, should consult their physician(s) before using this product. Operation of electrical equipment in close proximity to a heart pacemaker could cause interference or failure of the pacemaker.

⚠ ΠΡΟΕΙΔΟΠΟΙΗΣΗ: Για την ασφάλεια και την αξιοπιστία της συσκευής, όλες οι επισκευές και οι αντικαταστάσεις πρέπει να πραγματοποιούνται από εξειδικευμένο τεχνικό σέρβις.

SAFETY SYMBOLS

The purpose of safety symbols is to attract your attention to possible dangers. The safety symbols and the explanations with them deserve your careful attention and understanding. The symbol warnings do not, by themselves, eliminate any danger. The instructions and warnings they give are no substitutes for proper accident prevention measures.

⚠ WARNING: Be sure to read and understand all safety instructions in this Operator's Manual, including all safety alert symbols such as "DANGER," "WARNING," and "CAUTION" before using this tool. Failure to follow all instructions listed below may result in electric shock, fire, and/or serious personal injury.

⚠ ΠΡΟΕΙΔΟΠΟΙΗΣΗ: Κίνδυνος πυρκαγιάς και εγκαυμάτων. Να μην αποσυναρμολογείται, να μην θερμαίνεται πάνω από τους 100 °C, να μην αποτεφρώνεται. Φυλάσσετε τη συστοιχία μπαταριών σε χώρο όπου δεν έχουν πρόσβαση παιδιά και μέσα στην αρχική συσκευασία, μέχρι να τη χρησιμοποιήσετε. Απορρίψτε άμεσα τη χρησιμοποιημένη συστοιχία μπαταριών, σύμφωνα με τους τοπικούς κανονισμούς ανακύκλωσης ή διάθεσης απορριμμάτων.

SAFETY INSTRUCTIONS

This page depicts and describes safety symbols that may appear on this product. Read, understand, and follow all instructions on the machine before attempting to assemble and operate it.

	Προειδοποίηση ασφαλείας	Υποδηλώνει κίνδυνο τραυματισμού.
	Read operator's manual	To reduce the risk of injury, user must read and understand operator's manual before using this product.
	Recycle Symbols	Do not dispose of battery packs/batteries into household waste, fire or water. Battery packs/batteries should be collected, recycled or disposed of in an environmental friendly manner.
	CE	Αυτό το προϊόν συμμορφώνεται με τις εφαρμοστέες οδηγίες της ΕΚ.
	AHHE	Τα απόβλητα ηλεκτρικών προϊόντων δεν πρέπει να απορρίπτονται μαζί με τα οικιακά απορρίμματα. Παραδώστε τα σε εξουσιοδοτημένη μονάδα ανακύκλωσης.
V	Volt	Voltage
A	Amperes	Current
W	Watt	Power
min	Minutes	Time
	Direct Current	Type or a characteristic of current

GR

⚠ ΠΡΟΕΙΔΟΠΟΙΗΣΗ: Διαβάστε και κατανοήστε όλες τις οδηγίες. Αν δεν τηρηθούν όλες οι οδηγίες, μπορεί να προκληθεί ηλεκτροπληξία, φωτιά και/ή σοβαρός τραυματισμός. Ο όρος «ηλεκτρικό εργαλείο» στις περισσότερες προειδοποιήσεις αναφέρεται στα χλοοκοπτικά μηχανήματα και στα μηχανήματα κήπου Power+ της EGO που λειτουργούν με μπαταρία (ασύρματα).

WORK AREA SAFETY

- **Keep the work area clean and well lit.**-Cluttered or dark areas invite accidents.
- **Do not operate power tools in explosive environments, such as in the presence of flammable liquids, gases, or dust. Power tools create sparks, which may ignite the dust or fumes.**

ELECTRICAL SAFETY

- **Do not expose power tools to rain or wet conditions.** Water entering a power tool will increase the risk of electric shock.
- **Να χρησιμοποιείται μόνο με τους φορτιστές και τα ηλεκτρικά εργαλεία που αναφέρονται στην ενότητα «ΠΡΟΔΙΑΓΡΑΦΕΣ».**

ΧΡΗΣΗ ΚΑΙ ΦΡΟΝΤΙΔΑ ΤΗΣ ΣΥΣΤΟΙΧΙΑΣ ΜΠΑΤΑΡΙΩΝ

- **When battery pack is not in use, keep it away from other metal objects like paper clips, coins, keys, nails screws or other small metal objects that can make a connection from one terminal to another.** Shorting the battery terminals together may cause burns or a fire.
- **Under abusive conditions, liquid may be ejected from the battery; avoid contact. If contact accidentally occurs, flush with water.** If liquid contacts eyes, additionally seek medical help. Liquid ejected from the battery may cause irritation or burns.
- **Μην αποσυναρμολογείτε, μην ανοίγετε και μην καταστρέψετε την επαναφορτιζόμενη μπαταρία.**
- **Μην εκθέτετε την μπαταρία σε θερμότητα ή φωτιά.** Αποφύγετε την αποθήκευση σε χώρο που εκτίθεται άμεσα στον ήλιο.
- **Do not short-circuit a cell or a battery.** Do not store cells or batteries haphazardly in a box or drawer where they may short-circuit each other or be short-circuited by other metal objects.
- **Αφαιρέστε την μπαταρία από την αρχική συσκευασία μόνο εάν πρόκειται να χρησιμοποιηθεί άμεσα.**

- **Do not subject cells or batteries to mechanical shock.**
- **Κρατήστε την μπαταρία μακριά από τα παιδιά.** Ζητήστε αμέσως ιατρική βοήθεια σε περίπτωση κατάποσης της μπαταρίας.
- **Διατηρείτε την μπαταρία καθαρή και στεγνή.**
- **Αν υπάρχουν ακαθαρσίες στους ακροδέκτες της μπαταρίας, σκουπίστε τους με ένα καθαρό και στεγνό πανί.**
- **Η επαναφορτιζόμενη μπαταρία πρέπει να φορτίζεται πριν από τη χρήση.** Να χρησιμοποιείτε πάντα το σωστό φορτιστή και να ανατρέχετε στις οδηγίες του κατασκευαστή ή στο εγχειρίδιο του εξοπλισμού για τις σωστές οδηγίες φόρτισης.
- **Do not leave a battery on prolonged charge when not in use.**
- **Μετά από μεγάλο διάστημα αποθήκευσης, ενδέχεται να απαιτείται επανειλημμένη φόρτιση και εκφόρτιση των μπαταριών για να φτάσουν στη μέγιστη απόδοση.**
- **Retain the original product literature for future reference.**
- **Χρησιμοποιήστε την μπαταρία μόνο για την εφαρμογή για την οποία προορίζεται.**
- **When possible, remove the battery from the equipment when not in use.**
- **Dispose of properly.**

SERVICE

- Follow instructions in the Maintenance section of this manual. Use of unauthorized parts or failure to follow Maintenance instructions may create a risk of shock or injury.

SPECIFIC SAFETY RULES

- **Know your power tool. Read the operator's manual carefully. Learn the applications and limitations, as well as the specific potential hazards related to the tool.** Following this rule will reduce the risk of electric shock, fire, or serious injury.
- **Battery tools do not have to be plugged into an electrical outlet; therefore, they are always in operating condition. Be aware of possible hazards when not using your battery tool.** Always remove the battery before changing accessories. Following this rule will reduce the risk of electric shock, fire or serious personal injury.

- **Μη συνθλίβετε, μην πετάτε κάτω και μην προκαλείτε ζημιές στη συστοιχία μπαταριών.** Αν η συστοιχία μπαταριών ή ο φορτιστής έχουν πέσει κάτω ή έχουν χτυπηθεί δυνατά, μην τα χρησιμοποιήσετε. Αν η μπαταρία έχει υποστεί ζημιά, μπορεί να εκραγεί. Απορρίψτε κατάλληλα την μπαταρία αν έχει πέσει κάτω ή έχει υποστεί ζημιά.
- **Do not charge the battery in a damp or wet location.** Following this rule will reduce the risk of electric shock.
- **For best results, your battery should be charged in a location where the temperature is greater than 0 C and less than 40 C.** Do not store it outside or in vehicles.
- **Do not let gasoline, oils, petroleum-based products, etc. come in contact with plastic parts.** These substances contain chemicals that can damage, weaken or destroy plastic.
- **Have your battery pack serviced by a qualified repairperson using only identical replacement parts.** This will ensure that the safety of the battery pack is maintained.
- **Save these instructions.** Refer to them frequently and use them to instruct others who may use this tool. If you lend someone this tool, lend them these instructions also to prevent misuse of the product and possible injury.

SPECIFICATIONS

Όνομαστική τάση	56V
Μέγιστη χωρητικότητα	1568Wh
Συμβατός φορτιστής	CHX5500E
Ρεύμα φόρτισης	Ταχεία φόρτιση: 8A Κανονική φόρτιση: 4A
Χρόνος φόρτισης	Ταχεία φόρτιση: Περίπου 3,5ώρες Κανονική φόρτιση: Περίπου 7ώρες
Συμβατά ηλεκτρικά εργαλεία	LBX6000, HTX6500, BCX3800
Βάρος	8,7kg
Καθορισμένο εύρος θερμοκρασίας περιβάλλοντος για εκφόρτιση	-20 C ~40 C

DESCRIPTION

ΓΝΩΡΙΣΤΕ ΤΗ ΣΥΣΤΟΙΧΙΑ ΜΠΑΤΑΡΙΩΝ (Εικ. Α)

1. Καλώδιο
2. Χειρολαβή
3. Θύρα USB
4. Διακόπτης USB/DC
5. Θύρα 12V DC
6. Δείκτης ισχύος και διακόπτης
7. Ελατήριο στερέωσης ιμάντων ώμου
8. Ελατήριο στερέωσης ζώνης μέσης
9. Κάλυμμα για σέρβις ασφαλειών
10. Ιμάντας ώμου
11. Πλαίσιο
12. Δίχτυ
13. Ζώνη
14. Εξάρτηση (πωλείται ξεχωριστά)
15. Κάλυμμα μηρού (πωλείται ξεχωριστά)

ΛΕΙΤΟΥΡΓΙΑ

ΔΕΙΚΤΗΣ ΙΣΧΥΟΣ ΣΤΗ ΣΥΣΤΟΙΧΙΑ ΜΠΑΤΑΡΙΩΝ (Εικ. Β)

Αυτή η συστοιχία μπαταριών ιόντων λιθίου διαθέτει δείκτη ισχύος που δείχνει το επίπεδο φόρτισης της συστοιχίας και σφάλματα κατά τη λειτουργία. Πιέστε το δείκτη ισχύος για να εμφανιστεί το επίπεδο φόρτισης όταν η μπαταρία δεν φορτίζεται. Η λυχνία LED θα ανάψει για 10 δευτερόλεπτα.

- Κατά τη φόρτιση, η λυχνία LED μπορεί να εμφανίσει τις ακόλουθες ενδείξεις, χωρίς να πιέσετε το διακόπτη.

ΦΟΡΤΙΣΗ ΣΕ ΕΞΕΛΙΞΗ						
Χωρητικότητα μπαταρίας / Σφάλμα	Λυχνίες LED					Παρατηρήσεις
	1	2	3	4	5	
<20%	Αναβοσβήνει πράσινη	Σβηστή	Σβηστή	Σβηστή	Σβηστή	1 αναβοσβήνει
20% ≤ Χωρητικότητα < 40%	Αναμμένη	Αναβοσβήνει πράσινη	Σβηστή	Σβηστή	Σβηστή	1 αναμμένη, 1 αναβοσβήνει
40% ≤ Χωρητικότητα < 60%	Αναμμένη	Αναμμένη	Αναβοσβήνει πράσινη	Σβηστή	Σβηστή	2 αναμμένη, 1 αναβοσβήνει
60% ≤ Χωρητικότητα < 80%	Αναμμένη	Αναμμένη	Αναμμένη	Αναβοσβήνει πράσινη	Σβηστή	3 αναμμένη, 1 αναβοσβήνει
80% ≤ Χωρητικότητα < 100%	Αναμμένη	Αναμμένη	Αναμμένη	Αναμμένη	Αναβοσβήνει πράσινη	4 αναμμένη, 1 αναβοσβήνει
Χωρητικότητα = 100% (πλήρως φορτισμένη)	Αναμμένη	Αναμμένη	Αναμμένη	Αναμμένη	Αναμμένη	5 αναμμένη για λίγα λεπτά και μετά σβήνει
Η μπαταρία δεν μπορεί να φορτιστεί	Σβηστή	Σβηστή	Σβηστή	Σβηστή	Σβηστή	Και οι 5 λυχνίες LED όλες σβηστές
Υπερθέρμανση μπαταρίας	Σβηστή	Σβηστή	Σβηστή	Σβηστή	Σβηστή	Και οι 5 λυχνίες LED όλες σβηστές

Αν η μπαταρία βρίσκεται σε κατάσταση εκφόρτισης ή δεν χρησιμοποιείται, **ΠΙΣΤΕ ΤΟ ΔΙΑΚΟΠΤΗ**, και οι λυχνίες LED θα εμφανίσουν διαφορετικές ενδείξεις σε σχέση με την κατάσταση φόρτισης.

ΣΕ ΕΚΦΟΡΤΙΣΗ/ΔΕΝ ΧΡΗΣΙΜΟΠΟΙΕΙΤΑΙ						
Χωρητικότητα μπαταρίας / Σφάλμα	Λυχνίες LED					Παρατηρήσεις
	1	2	3	4	5	
80% < Χωρητικότητα ≤ 100%	Αναμμένη	Αναμμένη	Αναμμένη	Αναμμένη	Αναμμένη	5 LED αναμμένες για 10 δευτερόλεπτα αφού πατήσετε το κουμπί
60% < Χωρητικότητα ≤ 80%	Αναμμένη	Αναμμένη	Αναμμένη	Αναμμένη	Σβηστή	4 LED αναμμένες για 10 δευτερόλεπτα αφού πατήσετε το κουμπί
40% < Χωρητικότητα ≤ 60%	Αναμμένη	Αναμμένη	Αναμμένη	Σβηστή	Σβηστή	3 LED αναμμένες για 10 δευτερόλεπτα αφού πατήσετε το κουμπί
20% < Χωρητικότητα ≤ 40%	Αναμμένη	Αναμμένη	Σβηστή	Σβηστή	Σβηστή	2 LED αναμμένες για 10 δευτερόλεπτα αφού πατήσετε το κουμπί
10% < Χωρητικότητα ≤ 20%	Αναμμένη	Σβηστή	Σβηστή	Σβηστή	Σβηστή	1 LED αναμμένη για 10 δευτερόλεπτα αφού πατήσετε το κουμπί
≤ 10%	Αναβοσβήνει πράσινη	Σβηστή	Σβηστή	Σβηστή	Σβηστή	1 LED αναβοσβήνει για 10 δευτερόλεπτα αφού πατήσετε το κουμπί
Ανεπαρκής τάση (<2,7V)	Αναβοσβήνει κόκκινη	Αναβοσβήνει κόκκινη	Αναβοσβήνει κόκκινη	Αναβοσβήνει κόκκινη	Αναβοσβήνει κόκκινη	5 λυχνίες αναβοσβήνουν κόκκινες για 10 δευτερόλεπτα αφού πατήσετε το κουμπί
Υπερθέρμανση μπαταρίας	Ανάβει κόκκινη	Ανάβει κόκκινη	Ανάβει κόκκινη	Ανάβει κόκκινη	Ανάβει κόκκινη	5 λυχνίες αναμμένες κόκκινες για 10 δευτερόλεπτα αφού πατήσετε το κουμπί

BATTERY PROTECTION

Το κύκλωμα της συστοιχίας μπαταριών προστατεύει την μπαταρία από ακραίες θερμοκρασίες, υπερεκφόρτιση και υπερφόρτιση. Για να προστατευθεί η μπαταρία από βλάβη και για να παραταθεί η διάρκεια ζωής της, το κύκλωμα απενεργοποιεί τη συστοιχία μπαταριών σε περίπτωση υπερφόρτωσης ή υπερβολικής αύξησης ή μείωσης της θερμοκρασίας. Αυτό μπορεί να συμβεί σε περίπτωση υπερβολικά υψηλής ροπής, εμπλοκής ή μαγκώματος του εργαλείου.

- Κατά τη φόρτιση, η συστοιχία μπαταριών απενεργοποιείται και σβήνουν και οι 5 λυχνίες LED αν αυξηθεί η θερμοκρασία πάνω από τους 60 °C ή μειωθεί κάτω από τους 0 °C. Αν η θερμοκρασία επανέλθει σε φυσιολογικά επίπεδα εντός 90 λεπτών, η μπαταρία ενεργοποιείται ξανά αυτόματα. Αλλιώς, η μπαταρία θα απενεργοποιηθεί τελείως. Επανατοποθετήστε το βύσμα στον φορτιστή για να ξεκινήσει πάλι η φόρτιση.
- Η συστοιχία μπαταριών απενεργοποιείται επίσης, και σβήνουν και οι 5 λυχνίες LED, αν η τάση κάποιου στοιχείου της μπαταρίας ξεπεράσει την τάση ασφαλείας. Συνιστάται να εκφορτίσετε αμέσως τη συστοιχία μπαταριών. Αν αυτό συμβαίνει συχνά, επικοινωνήστε με το τμήμα σέρβις της EGO.
- Κατά την εκφόρτιση, αν η θερμοκρασία της συστοιχίας μπαταριών είναι πάνω από 70°C ή κάτω από -20°C, η συστοιχία μπαταριών θα απενεργοποιηθεί και οι 5 λυχνίες LED θα ανάψουν κόκκινες για 10 δευτερόλεπτα αφού πατηθεί το κουμπί. Η συστοιχία μπαταριών θα επανέλθει σε κανονική λειτουργία μόλις επιτευχθεί η κανονική θερμοκρασία και θα μπορείτε να επανεκκινήσετε το ηλεκτρικό εργαλείο.
- Αν η τάση ενός στοιχείου της μπαταρίας είναι κάτω από 2,7 V, η συστοιχία μπαταριών θα απενεργοποιηθεί και θα αναβοσβήνουν κόκκινες 5 λυχνίες LED για 10 δευτερόλεπτα αφού πατηθεί το κουμπί. Συνιστούμε να σταματήσετε την εργασία και να φορτίσετε τη συστοιχία μπαταριών αμέσως. Αν αυτό συμβαίνει συχνά, επικοινωνήστε με τεχνικό σέρβις για βοήθεια.

⚠ ΠΡΟΕΙΔΟΠΟΙΗΣΗ: Η συστοιχία μπαταριών δεν πρέπει να θερμαίνεται ποτέ και σε καμία περίπτωση.

ΦΟΡΤΙΣΗ ΤΗΣ ΣΥΣΤΟΙΧΙΑΣ ΜΠΑΤΑΡΙΩΝ

Η συστοιχία μπαταριών αποστέλλεται από τον κατασκευαστή μερικώς φορτισμένη. Θα πρέπει να φορτίσετε την μπαταρία πριν τη χρησιμοποιήσετε για πρώτη φορά.

⚠ ΠΡΟΕΙΔΟΠΟΙΗΣΗ: Μη φορτίζετε τη συστοιχία μπαταριών σε εξωτερικό χώρο και μην την εκθέτετε σε υγρασία. Αν εισχωρήσει νερό στο φορτιστή ή στη συστοιχία μπαταριών, θα αυξηθεί ο κίνδυνος ηλεκτροπληξίας. Για περισσότερες πληροφορίες, ανατρέξτε στο Εγχειρίδιο Χρήσης του φορτιστή EGO CHX5500E.

1. Συνδέστε το φορτιστή στην πρίζα (220-240V~50Hz).
2. Τοποθετήστε το βύσμα της μπαταρίας στο φορτιστή.
3. Κατά την κανονική φόρτιση της συστοιχίας μπαταριών, η πράσινη λυχνία LED 1 στο φορτιστή θα αναβοσβήνει. Αν πατήσετε το πράσινο κουμπί για τουλάχιστον 1 δευτερόλεπτο, η κανονική φόρτιση (ρεύμα φόρτισης 4A) θα γίνει ταχεία φόρτιση (ρεύμα φόρτισης 8A) και θα αναβοσβήνει η πράσινη λυχνία LED2 στο φορτιστή, ενώ η λυχνία LED1 θα σβήσει.
4. Αν ανάβουν σταθερά πράσινες και οι 5 λυχνίες LED της συστοιχίας μπαταριών, σημαίνει ότι η συστοιχία μπαταριών έχει φορτιστεί πλήρως. Περιμένετε να σταματήσει ο ανεμιστήρας ψύξης του φορτιστή και μετά αποσυνδέστε τη συστοιχία μπαταριών από το φορτιστή και αποσυνδέστε το φορτιστή από την πρίζα.

ΣΗΜΕΙΩΣΗ:

- Η συστοιχία μπαταριών θα φορτιστεί πλήρως αν παραμείνει συνδεδεμένη στο φορτιστή, αλλά δεν θα υπερφορτιστεί.
- Για περισσότερες πληροφορίες, ακολουθήστε τις οδηγίες στο Εγχειρίδιο Χρήσης του φορτιστή EGO CHX5500E.
- Αν ο χρόνος λειτουργίας μετά από πλήρη φόρτιση της συστοιχίας μπαταριών είναι σημαντικά μειωμένος, σημαίνει ότι οι μπαταρίες πλησιάζουν στο τέλος της λειτουργικής διάρκειας ζωής τους και πρέπει να αντικατασταθούν.
- Αν το βύσμα δεν έχει εισαχθεί τελείως στην υποδοχή, η λυχνία LED του φορτιστή θα αναβοσβήνει συνεχώς.
- Ο φορτιστής μπορεί να θερμανθεί κατά τη φόρτιση. Πρόκειται για φυσιολογική λειτουργία του φορτιστή. Η φόρτιση πρέπει να πραγματοποιείται σε καλά αεριζόμενο χώρο.

USB/12V DC

Ανοίξτε τα ελαστικά καλύμματα και τοποθετήστε τα βύσματα USB/DC στις θύρες USB/DC (Εικ. C και D). Μετά πατήστε το διακόπτη USB/DC. Η συστοιχία μπαταριών θα αρχίσει να τροφοδοτεί τις συσκευές που έχουν συνδεθεί μέσω της θύρας USB ή της θύρας DC.

C-1	Ελαστικά καλύμματα	D-2	Θύρα 12V DC
D-1	Θύρα USB	D-3	Διακόπτης USB/DC

ΣΗΜΕΙΩΣΗ:

- Οι θύρες USB και 12V DC μπορούν να λειτουργήσουν με τροφοδοσία 56 V ταυτόχρονα. Αφού χρησιμοποιήσετε τις θύρες USB/12V DC, αφαιρέστε τα βύσματα USB/DC και τοποθετήστε τα καλύμματα στη θέση τους.
- Μη χρησιμοποιείτε τις θύρες USB/12V DC κατά τη φόρτιση της συστοιχίας μπαταριών.

ΣΥΝΔΕΣΗ ΚΑΙ ΑΠΟΣΥΝΔΕΣΗ ΤΗΣ ΕΞΑΡΤΗΣΗΣ ΑΠΟ ΤΗ ΣΥΣΤΟΙΧΙΑ ΜΠΑΤΑΡΙΩΝ

Σύνδεση

Ευθυγραμμίστε τις τέσσερις προεξοχές στο πλαίσιο της εξάρτησης με τις αντίστοιχες εγκοπές στην μπαταρία και συνδέστε την προεξοχή της ζώνης με το ελατήριο συγκράτησης της μπαταρίας. Μετά, σπρώξτε την εξάρτηση προς τα πάνω μέχρι να ακουστεί ένα κλικ. (Εικ. Ε).

E-1	Εγκοπή στερέωσης	E-3	Προεξοχή ζώνης
E-2	Προεξοχή πλαισίου		

Αποσύνδεση

Πίστετε τα δύο κουμπιά απελευθέρωσης στην εξάρτηση πίσω από το πλαίσιο και τραβήξτε την εξάρτηση από την μπαταρία (Εικ. F).

ΠΩΣ ΘΑ ΦΟΡΕΣΕΤΕ ΤΗΝ ΜΠΑΤΑΡΙΑ ΠΛΑΤΗΣ

Κατά την κανονική λειτουργία, θα πρέπει να φορέσετε τη συστοιχία μπαταριών μαζί με την εξάρτηση στην πλάτη. Για λιγότερη κούραση και πιο άνετη εργασία, η εξάρτηση κουμπώνει στη μέση και στο στήθος, ώστε να έχετε ελευθερία κινήσεων.

Μπορείτε να ρυθμίσετε ελεύθερα το μήκος της ζώνης στη μέση και το μήκος των ιμάντων στους ώμους. Το μαξιλαράκι της πλάτης θα πρέπει να εφαρμόζει σταθερά στην πλάτη σας.

GR

- Πριν ξεκινήσετε την εργασία, ρυθμίστε το μήκος των ιμάντων στη μέση και στο στήθος, ώστε να είναι άνετοι. Το μήκος των ιμάντων θα πρέπει να ταιριάζει στο μέγεθος του σώματός σας.
- Συνδέστε τα δύο μέρη της πόρπης στη ζώνη και της πόρπης στο στήθος το ένα μέσα στο άλλο, μέχρι να ακούσετε ένα κλικ (Εικ. G και H).
- Ρυθμίστε το ύψος της πόρπης στο στήθος, ώστε να αισθάνεστε άνετα (Εικ. I).
- Ρυθμίστε ξανά το μήκος της ζώνης στη μέση και του ιμάντα στο στήθος.

- Περάστε το τμήμα της ζώνης που περισσεύει γύρω από τη μέση σας και το τμήμα του ιμάντα στο στήθος που περισσεύει μέσα στην ελαστική θηλιά (Εικ. J).

ΤΟ ATTACH AND DETACH THE BATTERY PACK

Φόρτιση πριν από την πρώτη χρήση

Περάστε το καλώδιο της συστοιχίας μπαταριών γύρω από το πλάι του σώματός σας και συνδέστε το ηλεκτρικό εργαλείο στο καλώδιο σύνδεσης μήκους 1,5 μέτρου. Ακολουθήστε τις οδηγίες στο εγχειρίδιο του ηλεκτρικού εργαλείου για περισσότερες πληροφορίες.

Εγκατάσταση (Εικ. K)

Ευθυγραμμίστε το λογότυπο ▲ στο βύσμα και στο ηλεκτρικό εργαλείο, και τοποθετήστε το βύσμα στο ηλεκτρικό εργαλείο, μέχρι να εξαφανιστεί τελείως η πράσινη τοιμούχα μέσα στην υποδοχή.

Αφαίρεση

Αφαιρέστε το βύσμα από το ηλεκτρικό εργαλείο.

⚠ ΠΡΟΕΙΔΟΠΟΙΗΣΗ: Αν προκύψει κατάσταση έκτακτης ανάγκης, αφαιρέστε αμέσως τη συστοιχία μπαταριών από τους ώμους σας. Ένας τρόπος για να αφαιρέσετε γρήγορα την μπαταρία είναι να ξεκουμπώσετε τις πόρπες στη μέση και στο στήθος και μετά να βγάλετε την εξάρτηση από τον ένα και από τον άλλο ώμο.

⚠ ΠΡΟΕΙΔΟΠΟΙΗΣΗ: Μη σφίγγετε υπερβολικά τους ιμάντες στους ώμους διότι μπορεί να είναι δύσκολο να αφαιρέσετε τη συστοιχία μπαταριών.

⚠ ΠΡΟΕΙΔΟΠΟΙΗΣΗ: Η συστοιχία μπαταριών είναι συμβατή μόνο με ορισμένα προϊόντα της EGO, που αναφέρονται στην ενότητα «ΠΡΟΔΙΑΓΡΑΦΕΣ». Συνιστούμε να μη χρησιμοποιήσετε τη συστοιχία μπαταριών με άλλα ηλεκτρικά εργαλεία.

MAINTENANCE

⚠ ΠΡΟΕΙΔΟΠΟΙΗΣΗ: Η επισκευή και η αντικατάσταση της συστοιχίας μπαταριών πρέπει να πραγματοποιούνται σε εξουσιοδοτημένο κέντρο σέρβις της EGO και από εξουσιοδοτημένους τεχνικούς.

⚠ WARNING: To avoid serious personal injury, always remove the battery pack from the tool when changing accessories, cleaning or performing any maintenance.

⚠ WARNING: When servicing, use only identical EGO replacement parts. Use of any other parts may create a hazard or cause product damage.

⚠️ ΠΡΟΕΙΔΟΠΟΙΗΣΗ: Αν η μόνη διαθέσιμη μέθοδος καθαρισμού είναι η χρήση πεπιεσμένου αέρα, φοράτε πάντα γυαλιά-μάσκα ή γυαλιά με παρωπίδες. Φορέστε επίσης μάσκα για τη σκόνη κατά την εργασία σε περιβάλλον με σκόνη.

GENERAL MAINTENANCE

Avoid using solvents when cleaning plastic parts. Most plastics are susceptible to damage from various types of commercial solvents and may be damaged by their use. Use clean clothes to remove dirt, dust, oil, grease, etc.

⚠️ WARNING: Do not at any time let brake fluids, gasoline, petroleum-based products, penetrating oils, etc. come in contact with plastic parts. Chemicals can damage, weaken or destroy plastic which may result in serious personal injury.

BATTERIES

Μην αποσυναρμολογείτε τη συστοιχία μπαταριών και μην επιχειρείτε να αντικαταστήσετε τα στοιχεία της μπαταρίας. Κατά το χειρισμό των μπαταριών, ειδικά εάν φοράτε δακτυλίδια και κοσμήματα, μπορεί να προκληθούν σοβαρά εγκαύματα. Για να επιτευχθεί η μέγιστη δυνατή διάρκεια ζωής της μπαταρίας, διαβάστε και κατανοήστε το εγχειρίδιο χρήσης.

⚠️ ΠΡΟΕΙΔΟΠΟΙΗΣΗ: Συνιστάται να αποσυνδέετε το φορτιστή και τη συστοιχία μπαταριών όταν δεν χρησιμοποιούνται.

BATTERY PACK REMOVAL AND PREPARATION FOR RECYCLING



Li-ion

Μην απορρίπτετε το φορτιστή της μπαταρίας και τις μπαταρίες/επαναφορτιζόμενες μπαταρίες μαζί με τα οικιακά απορρίμματα! Σύμφωνα με την ευρωπαϊκή οδηγία 2012/19/ΕΕ, ο ηλεκτρικός και ηλεκτρονικός εξοπλισμός που δεν μπορεί πλέον να χρησιμοποιηθεί και, σύμφωνα με την ευρωπαϊκή οδηγία 2006/66/ΕΚ, οι ελαττωματικές ή χρησιμοποιημένες συστοιχίες μπαταριών/μπαταρίες πρέπει να συλλέγονται ξεχωριστά και να απορρίπτονται με περιβαλλοντικά σωστό τρόπο.

Consult your local waste authority for information regarding available recycling and/or disposal options.

⚠️ ΠΡΟΕΙΔΟΠΟΙΗΣΗ: Αφού αφαιρέσετε τη συστοιχία μπαταριών για απόρριψη ή ανακύκλωση, καλύψτε τους ακροδέκτες της συστοιχίας μπαταριών με αυτοκόλλητη ταινία μεγάλης αντοχής. Μην προσπαθείτε να καταστρέψετε ή αποσυναρμολογήσετε τη συστοιχία μπαταριών ή να αφαιρέσετε επιμέρους στοιχεία της. Οι μπαταρίες ιόντων λιθίου πρέπει να ανακυκλώνονται ή να απορρίπτονται κατάλληλα. Επίσης, μην αγγίζετε ποτέ τους ακροδέκτες με μεταλλικά αντικείμενα και/ή με μέρη του σώματός σας, διότι μπορεί να προκληθεί βραχυκύκλωμα. Κρατήστε το προϊόν μακριά από παιδιά. Αν δεν τηρηθούν αυτές οι προειδοποιήσεις, μπορεί να προκληθεί φωτιά ή/και σοβαρός τραυματισμός.



TROUBLESHOOTING

PROBLEM	CAUSE	SOLUTION
Το ηλεκτρικό εργαλείο δεν λειτουργεί	<ul style="list-style-type: none">■ Δεν υπάρχει ηλεκτρική επαφή ανάμεσα στο ηλεκτρικό εργαλείο και την μπαταρία.■ Η συστοιχία μπαταριών έχει εξαντληθεί.■ Η συστοιχία μπαταριών ή το ηλεκτρικό εργαλείο έχουν υπερθερμανθεί.■ Δεν λειτουργεί το καλώδιο ή το φισ.■ Η τάση ενός στοιχείου της μπαταρίας είναι κάτω από 2,7 V.	<ul style="list-style-type: none">■ Συνδέστε τη συστοιχία μπαταριών στο ηλεκτρικό εργαλείο.■ Φορτίστε τη συστοιχία μπαταριών.■ Αφήστε τη συστοιχία μπαταριών ή το ηλεκτρικό εργαλείο να κρυώσουν, μέχρι να πέσει η θερμοκρασία στις φυσιολογικές τιμές.■ Επικοινωνήστε με τα κέντρα σέρβις της EGO.■ Φορτίστε αμέσως τη συστοιχία μπαταριών.
Η συστοιχία μπαταριών δεν μπορεί να φορτιστεί.	<ul style="list-style-type: none">■ Η θερμοκρασία της μπαταρίας είναι πάνω ή κάτω από την καθορισμένη τιμή.■ Δεν υπάρχει ηλεκτρική επαφή ανάμεσα στην μπαταρία και το φορτιστή.■ Είναι εσφαλμένη η σύνδεση του φορτιστή με τον ρευματοδότη.	<ul style="list-style-type: none">■ Σταματήστε τη φόρτιση ή την εκφόρτιση μέχρι να επανέλθει η φυσιολογική θερμοκρασία.■ Συνδέστε ξανά τη συστοιχία μπαταριών στο φορτιστή.■ Συνδέστε ξανά το φισ του φορτιστή στο ρευματοδότη.

WARRANTY

EGO WARRANTY POLICY

Please visit the website egopowerplus.com for full terms and conditions of the EGO Warranty policy.

GR

TÜM TALİMATLARI OKUYUN!(İ)



TÜM TALİMATLARI OKUYUN!

▲ Artık risk! Kalp pili gibi elektronik cihaz kullanan kişiler bu ürünü kullanmadan önce hekimlerine danışmalıdır. Elektrikli cihazların, kalp pili yakınında çalıştırılması kalp piliinde parazite veya arızaya neden olabilir.

▲ UYARI: Güvenliği ve güvenilirliği sağlamak için, tüm onarım ve değiştirme işlemleri yetkili bir servis teknisyeni tarafından gerçekleştirilmelidir.

GÜVENLİK SEMBOLLERİ

Güvenlik sembollerinin amacı olası tehlikelere dikkatinizi çekmektir. Güvenlik sembolleri ve yanlarındaki açıklamalar özel dikkat ve anlayış göstermenizi gerektirir. Uyarı sembolleri kendi başlarına herhangi bir tehlikeyi gidermez. Sundukları talimat ve uyarılar uygun kaza önleme önlemlerinin yerine geçmez.

▲ UYARI: Bu aleti kullanmadan önce, "TEHLİKE", "UYARI" ve "DİKKAT" gibi tüm güvenlik uyarı ve sembollerini içeren bu Kullanım Kılavuzu içerisindeki tüm güvenlik talimatlarını okuyup anladığınızdan emin olun. Aşağıdaki talimatların tamamına uyulmaması elektrik çarpması, yangın ve/veya ciddi kişisel yaralanma ile sonuçlanabilir.

▲ UYARI: Yangın ve yanık riski. Sökmeyin, 100 °C'nin üzerinde ısıtmayın veya yakmayın. Aküyü kullanılabileceği zamana kadar çocukların ulaşamayacağı yerlerde ve orijinal ambalajında saklayın. Kullanılmış aküleri beklemeden bölgenizdeki geri dönüşüm veya atık yönetmeliklerine uygun olarak imha edin.

GÜVENLİK TALİMATLARI

Bu sayfada, bu ürün üzerinde görülebilecek güvenlik sembolleri gösterilmekte ve açıklanmaktadır. Makineyi monte etmeye ve kullanmaya başlamadan önce, makineye ilişkin tüm talimatları okuyup anlayın ve bu talimatlara uyun.

	Güvenlik Uyarısı	Potansiyel bir kişisel yaralanma tehlikesini gösterir.
	Kullanım Kılavuzunu Okuyun	Yaralanma riskini azaltmak için, kullanıcı bu ürünü kullanmadan önce kullanım kılavuzunu okuyup anlamalıdır.
	Geri Dönüşüm Sembolleri	Pil paketlerini/pilleri ev atıklarıyla birlikte atmayın, su veya ateş içinde imha etmeyin. Pil paketleri/piller çevre dostu bir şekilde toplanmalı, geri dönüşümü sağlanmalı veya imha edilmelidir.
	CE	Bu ürün geçerli AB direktiflerine uygundur.
	WEEE	Atık elektrikli ürünler, evsel atıklar ile birlikte imha edilmemelidir. Yetkili bir geri dönüşüm merkezine teslim edilmelidir.
V	Volt	Voltaaj
A	Amper	Akım
W	Watt	Güç
min	Dakika	Zaman
	Doğru Akım	Akım türü ve özelliği

▲ UYARI: Tüm talimatları anlayarak okuyun. Talimatların tamamına uyulmaması elektrik çarpması, yangın ve/veya ciddi yaralanma ile sonuçlanabilir. Çoğu uyarılarda geçen "elektrikli alet" terimi ile EGO Power+ aküyle çalışan (kablolu) Çim Bıçma ve Bahçe makineleri kastedilmektedir.

ÇALIŞMA ALANI GÜVENLİĞİ

- Çalışma alanını temiz tutun ve yeterli aydınlatma sağlayın. Karışık veya karanlık alanlar kazalara yol açar.
- Elektrikli aletleri yanıcı sıvı, gaz veya toz vb. içeren patlayıcı ortamlarda çalıştırmayın. Elektrikli aletten çıkan kıvılcıklar toz veya gazları tutuşturabilir.

ELEKTRİK GÜVENLİĞİ

- Elektrikli aletleri yağmur veya ıslak ortamlara maruz bırakmayın. Elektrikli alet içine giren su, elektrik çarpması riskini artırır.
- Yalnızca “ÖZELLİKLER” bölümünde listelenen şarj cihazları ve elektrikli el aletleri ile kullanın.

AKÜNÜN KULLANIMI VE BAKIMI

- PİL takımının kullanımda olmadığı durumlarda, pil takımını ataç, bozuk para, anahtar, çivi, vida veya pil kutupları arasında kısa devre yapabilecek diğer metal nesnelere uzak tutun. PİL kutuplarının kısa devre edilmesi yangın veya yanıklara neden olabilir.
- Kötü şartlar altında pilden sıvı akabilir; temas etmekten kaçınınız. Yanlışlıkla temas edilirse, su ile yıkayınız. Sıvı göze temas ederse, ayrıca tıbbi yardım alın. Pilden akan sıvı tahriş veya yanıklara neden olabilir.
- Şarj edilebilir aküleri sökmeyin, açmayın veya parçalamayın.
- Aküleri ısı veya ateşe maruz bırakmayın. Doğrudan güneş ışığında saklamayın.
- Bir pil hücrelerine veya pile kısa devre yaptırmayın. PİL hücrelerini veya pilleri birbirine kısa devre yaptırabilecekleri veya diğer metal nesnelere tarafından kısa devre yapabilecekleri rastgele bir kutuda veya çekmeceye saklamayın.
- Kullanım için gerekli olana kadar aküyü orijinal ambalajından çıkarmayın.
- PİL hücrelerini veya pilleri mekanik darbeye maruz bırakmayın.
- Aküyü çocukların ulaşamayacağı bir yerde tutun. Akünün yutulması halinde hemen bir doktora danışın.
- Aküleri temiz ve kuru bir halde tutun.
- Kirlenirse akü terminallerini temiz kuru bir bezle silin.
- İkincil akülerin kullanımdan önce şarj edilmesi gerekir. Daima doğru şarj cihazını kullanın ve doğru şarj talimatları için üretici talimatlarına veya cihazın kullanma kılavuzuna başvurun.
- Bir pili kullanılmadığı zaman uzun süre şarjda bırakmayın.

- Uzun süre depolamadan sonra, maksimum performans elde etmek için akülerin birkaç kez şarj edilmesi ve boşaltılması gereklidir.
- Orijinal ürün belgelerini gelecekte başvuru amacıyla saklayın.
- Aküyü sadece amaçlanan uygulama için kullanın.
- Mümkünse, kullanılmadığı zamanlarda pili cihazdan çıkarın.
- Uygun biçimde imha edin.

SERVİS

- Bu kılavuzun Bakım bölümündeki talimatları izleyin. Orijinal olmayan parça kullanımı veya Bakım talimatlarına uyulmaması elektrik çarpması veya yaralanma riski oluşturabilir.

ÖZEL GÜVENLİK KURALLARI

- Elektrikli aletinizi tanıyın. Kullanım kılavuzunu dikkatle okuyun. Cihazla ilgili uygulamaları ve sınırlandırmaları ve muhtemel tehlikeleri öğrenin. Bu kurallara uyulması elektrik çarpması, yangın veya ciddi yaralanma riskini azaltır.
- Pille çalışan aletlerin elektrik prizine takılmalarını gerek yoktur; bu nedenle daima çalışır durumdadırlar. Pille çalışan aletler kullanılmadıkları zaman oluşabilecek muhtemel tehlikelere karşı dikkatli olun. Aksesuarları değiştirmeden önce daima pili çıkarın. Bu kurallara uyulması elektrik çarpması, yangın veya ciddi yaralanma riskini azaltır.
- Aküyü ezmeyin, düşürmeyin ya da zarar vermeyin. Yere düşen veya keskin bir darbe almış aküyü veya şarj cihazını kullanmayın. Hasarlı bir akü patlayabilir. Düşmüş veya hasarlı bir aküyü derhal uygun biçimde imha edin.
- Pili nemi veya ıslak bir yerde şarj etmeyin. Bu kurallara uyulması elektrik çarpması riskini azaltır.
- En iyi sonuçlar için, pil sıcaklığın 0°C'nin üzerinde ve 40°C'nin altında olduğu bir ortamda şarj edilmelidir. Açık havada veya araçların içinde saklamayın.
- Benzin, yağ, petrol bazlı ürünler, vb. maddelerin plastik parçalara temas etmesine izin vermeyin. Bu maddeler, plastiğe zarar verebilen, zayıflatabilen veya parçalayabilen kimyasal maddeler içerir.
- PİL paketini, sadece orijinal yedek parça kullanan yetkili bir servis elemanına tamir ettirin. Böylece pil paketinin güvenliği korunmuş olacaktır.
- Bu talimatları saklayın. Talimatlara sık sık müracaat edin ve bu aleti kullanacak diğer kişileri bilgilendirmek için kullanın. Bu aleti başka birine ödünç verirken, ürünün yanlış kullanılmasını ve olası yaralanmayı önlemek için bu talimatları da ürünle birlikte verin.

TEKNİK ÖZELLİKLER

Anma Gerilimi	56V
Maksimum Kapasite	1568Wh
Uygun Şarj Cihazı	CHX5500E
Şarj Akımı	Hızlı Şarj: 8A Normal Şarj: 4A
Şarj Süresi	Hızlı Şarj: Yaklaşık olarak 3,5saat Normal Şarj: Yaklaşık 7saat
Uygun Elektrikli Aletler	LBX6000, HTX6500, BCX3800
Ağırlık	8,7kg
Boşaltma için belirlenmiş ortam sıcaklık aralığı	-20°C~40°C

4. USB/DC Anahtarı
5. 12 DC Bağlantı Yuvası
6. Güç Göstergesi ve Anahtar Düğmesi
7. Omuz Kayışı Tespit Yayı
8. Kemer Kayışı Tespit Yayı
9. Sigorta Bakım Kapağı
10. Omuz Askısı
11. İskelet
12. Ağ
13. Kemer
14. Koşum (Ayrı Satılır)
15. Kalça bandı aksesuarı (Ayrı satılır)

ÇALIŞMA

AKÜ ÜZERİNDEKİ GÜÇ GÖSTERGESİ

Bu lityum iyon akü, akünün şarj kapasite seviyesini ve arızayı gösteren bir güç göstergesine sahiptir. Akü şarjda değilken güç seviyesini görüntülemek için güç göstergesine basın. LED göstergesi 10 saniye süreyle yanar.

- Şarj olurken LED göstergesi, düğmeye basmadan aşağıda listelenen çeşitli arayüzleri gösterebilir.

AÇIKLAMA

AKÜNÜZÜ TANIYIN (Şek. A)

1. Kablo
2. Tutma Sapı
3. USB Bağlantı Yuvası

ŞARJ OLUYOR						
Akü Kapasitesi / Arıza	LED'ler					Açıklamalar
	1	2	3	4	5	
<%20	Yanıp sönen yeşil	Kapalı	Kapalı	Kapalı	Kapalı	1 yanıp sönüyor
%20 ≤ Kapasite < %40	Açık	Yanıp sönen yeşil	Kapalı	Kapalı	Kapalı	1 açık, 1 yanıp sönüyor
%40 ≤ Kapasite < %60	Açık	Açık	Yanıp sönen yeşil	Kapalı	Kapalı	2 açık, 1 yanıp sönüyor
%60 ≤ Kapasite < %80	Açık	Açık	Açık	Yanıp sönen yeşil	Kapalı	3 açık, 1 yanıp sönüyor
%80 ≤ Kapasite < %100	Açık	Açık	Açık	Açık	Yanıp sönen yeşil	4 açık, 1 yanıp sönüyor
Kapasite = %100 (tam şarjlı)	Açık	Açık	Açık	Açık	Açık	5 birkaç dakika açık, sonra kapanıyor
Akü şarj edilemiyor	Kapalı	Kapalı	Kapalı	Kapalı	Kapalı	5 LED ışığı tamamen kapanacaktır
Akü aşırı ısınmış	Kapalı	Kapalı	Kapalı	Kapalı	Kapalı	5 LED ışığı tamamen kapanacaktır

Sirt çantası tipi akü boşalıyorsa veya kullanılmamış haldeyse **DÜĞMEYE BASIN**, LED göstergesi aşağıda gösterildiği gibi şarj edenden farklı bir arayüz gösterecektir.

BOŞALIYOR/KULLANILMIYOR						
Akü Kapasitesi / Arıza	LED'ler					Açıklamalar
	1	2	3	4	5	
%80 < Kapasite ≤ %100	Açık	Açık	Açık	Açık	Açık	Düğmeye basıldıktan sonra 10 saniye boyunca 5 LED ışığı açık
%60 < Kapasite ≤ %80	Açık	Açık	Açık	Açık	Kapalı	Düğmeye basıldıktan sonra 10 saniye boyunca 4 LED ışığı açık
%40 < Kapasite ≤ %60	Açık	Açık	Açık	Kapalı	Kapalı	Düğmeye basıldıktan sonra 10 saniye boyunca 3 LED ışığı açık
%20 < Kapasite ≤ %40	Açık	Açık	Kapalı	Kapalı	Kapalı	Düğmeye basıldıktan sonra 10 saniye boyunca 2 LED ışığı açık
%10 < Kapasite ≤ %20	Açık	Kapalı	Kapalı	Kapalı	Kapalı	Düğmeye basıldıktan sonra 10 saniye boyunca 1 LED ışığı açık
≤%10	Yanıp sönen yeşil	Kapalı	Kapalı	Kapalı	Kapalı	Düğmeye basıldıktan sonra 10 saniye boyunca 1 LED ışığı yanıp sönüyor
Düşük voltaj (<2,7V)	Yanıp sönen kırmızı	Yanıp sönen kırmızı	Yanıp sönen kırmızı	Yanıp sönen kırmızı	Yanıp sönen kırmızı	Düğmeye basıldıktan sonra 10 saniye boyunca 1 kırmızı ışık yanıp sönüyor
Akü aşırı ısınmış	Kırmızı yanıyor	Kırmızı yanıyor	Kırmızı yanıyor	Kırmızı yanıyor	Kırmızı yanıyor	Düğmeye basıldıktan sonra 10 saniye boyunca 5 kırmızı ışık yanıp sönüyor

PİLİN KORUNMASI

Akü devresi, aküyü aşırı sıcaklıktan, aşırı deşarj ve aşırı şarj olmaktan korur. Aküyü hasarlardan korumak ve ömrünün uzatmak için, akü devresi aşırı yüklenmesi veya kullanım sırasında sıcaklığının artması veya çok düşmesi halinde aküyü kapatır. Aşırı yüksek tork, kısa devre ve aşırı yük nedeniyle stop etme durumları için de bu geçerlidir.

TR

- Şarj halindeyken, sıcaklık 60°C'yi aştığında veya 0°C'nin altına düştüğünde, 5 adet LED'in tümü kapalı halde olmak üzere akü kapanacaktır. Sıcaklık 90 dakika içinde normale döndüğünde, akü otomatik olarak çalışmaya geri dönecektir. Aksi takdirde, akü kapanacaktır, fişi tekrar şarj cihazına takılması halinde ise şarjı yeniden etkinleştirebilecektir.

- Bir pil hücresinin voltajı koruyucu voltajı aştığında, akü kapanır ve 5 LED'in hepsi söner. Aküyü hemen boşaltmanız tavsiye edilir. Bu sorun birçok kez tekrarlanırsa, lütfen EGO servis merkezlerine başvurun.
- Boşaltma durumunda, akünün sıcaklığı 70°C'yi aştığında veya -20°C'nin altına düştüğünde, düğmeye bastıktan sonra 10 saniye süreyle 5 LED kırmızı renkte yanar ve akü kapanacaktır. Normal sıcaklık tekrar sağlandığında akü her iki durumda da çalışmaya geri dönecek ve elektrikli aletin yeniden başlatılmasına izin verecektir.
- Bir pil hücresinin voltajı 2,7V'den düşük olduğunda, düğmeye bastıktan sonra 10 saniye boyunca 5 LED kırmızı renkte yanıp söner ve akü kapanır. Çalışmayı durdurmanız ve aküyü hemen şarj etmeniz tavsiye edilir. Bu durum sık tekrarlanıyorsa, yardım için servis teknisyenimize başvurun.

⚠ UYARI: Aküyü hiçbir zaman herhangi bir şekilde ısıtmamalısınız.

AKÜYÜ ŞARJ EDİN

Akü kısmen şarj edilmiş olarak gönderilir. İlk kez kullanmadan önce akünün şarj edilmesi gerekir.

⚠ UYARI: Aküyü açık havada şarj etmeyin, yağmur veya ıslak ortamlara maruz bırakmayın. Şarj cihazının veya akünün içine giren su, elektrik çarpması riskini artırır. Herhangi bir ek bilgi için lütfen EGO CHX5500E Şarj Aleti'nin Kullanma Kılavuzu'na bakın.

1. Şarj cihazını güç kaynağına takın (220-240V/50Hz).
2. Akü fişini şarj cihazına takın.
3. Akü normal şekilde şarj edilirken, şarj cihazı üzerindeki yeşil LED1 yanıp söner. En az 1 saniye süreyle yeşil düğmeye basıldığında, normal şarj (şarj akımı 4A) hızlı şarj durumuna (şarj akımı 8A) geçecek ve şarj cihazındaki yeşil LED2, LED1 kapalı halde yanıp sönecektir.
4. Akünün 5 LED'lerinin yeşil renkte sürekli yanması akünün tamamen şarj edilmiş olduğu anlamına gelir. Şarj cihazının soğutma fanı duruncaya kadar bekleyin, aküyü şarj cihazından çıkarın ve şarj cihazının fişini çekin.

DİKKAT:

- Akü şarj cihazında bırakılırsa tamamen dolar, ancak aşırı şarj edilmez.
- EGO CHX5500E şarj cihazı için Kullanım Kılavuzlarındaki talimatları izleyin.
- Akü tamamen şarj edildikten sonra çalışma süresi önemli ölçüde azalmışsa bu, akülerin kullanım ömürlerinin dolmak üzere olduğunu ve değiştirilmeleri gerektiğini gösterir.
- Fişi yerine tamamen yerleştirmediyse, şarj cihazının ışığı sürekli yanıp sönecektir.
- Şarj cihazı şarj işlemi sırasında ısınabilir. Bu durum şarj cihazının normal çalışmasının bir parçasıdır. İyi havalandırılmış bir alanda şarj edin.

USB/12V DC

Kauçuk kapakları açın ve USB/DC fişlerini USB/DC bağlantı noktalarına takın (Şek. C ve D). Daha sonra USB/DC düğmesine basın, akü USB veya DC bağlantı noktaları aracılığıyla akünün bağlı olduğu aygıtları besleyecektir.

C-1	Kauçuk Kapaklar	D-2	12V DC Bağlantı Yuvası
D-1	USB Bağlantı Yuvası	D-3	USB/DC Anahtarı

DİKKAT:

- USB ve 12V DC işlevleri aynı anda 56V güç kaynağı ile de çalışabilir. USB/12V DC'yi kullandıktan sonra, USB/DC fişlerini çekin ve lastik kapakları yerine yerleştirin.
- Akü şarj edilirken USB/12V DC'yi kullanmayın.

AKÜ VE KOŞUM ARASINDA BAĞLANTI VE BAĞLANTININ KESİLMESİ

Bağlanmak İçin

Çerçevenin dışarı çıkan 4 parçasını montaj yuvaları ile hizalayın ve kemerdeki konum dışını kemer sabitleme yayına bağlayın. Ardından koşumu tiklama sesini duyanaya kadar yukarı kaydırın. (Şek. E).

E-1	Montaj Yivi	E-3	Kemer Konum Yuvası
E-2	Çerçeve Konum Yuvası		

Bağlantıyı Kesmek İçin

Çerçevenin arkasındaki kablo demetindeki iki serbest bırakma düğmesine basın ve kablo demetini dışarı doğru kaydırın (Şek. F).

AKÜNÜN TAKILMASI

Normal çalışmada, kablo demeti bulunan akü sırtı takılır. Yorulmayı önlemek ve rahatça çalışmak için, koşum takımı, hareket özgürlüğünü garanti eden bir kemer yuvası ve omuz askısı bağlantısı ile donatılmıştır.

Kemer bandı ve omuz askılarının kemer uzunluğu serbestçe ayarlanabilir. Arka yastık sırtınıza sıkıca ve emniyetli bir şekilde oturmalıdır.

- Kemer ve omuz kayışının uzunluğunu, normal işten önce kendinizi rahat hissetmek için ayarlayın; uzunluk, vücut boyunuza kemer bandı ve omuz askısı ile birlikte uygun olmalıdır.
- Kemer tokası ve göğüs tokasının iki parçasını bir tık sesi duyulana kadar birbirine sokun (Şek. G & H).
- Kendinizi rahat hissetmek için göğüs tokasının yüksekliğini ayarlayın (Şek. I).
- Kemer kayışının ve göğüs kayışının uzunluğunu yeniden ayarlayın.
- Kemerin fazla uzunluğunu belinizin etrafından dolayın ce göğüs askısını lastiğe takın (Şek. J).

PİL PAKETİNİN SÖKÜLÜP TAKILMASI

İlk kullanımdan önce şarj edin

Akü kablosunu gövdenin yanına doğru yönlendirin ve elektrikli aletleri 1,5m'lik bağlantı kablosuna takın. Diğer ayrıntılar için elektrikli aletlerin kılavuzundaki talimatları izleyin.

Takmak için (Şek. K)

Fiş ve elektrikli aletteki ▲ logo aynı hizada olacak şekilde, fişi elektrikli alete yeşil conta prizde tamamen kaybolana kadar sokun.

Sökme

Fiş elektrikli aletlerden çıkarın.

▲ UYARI: Acil durum meydana geldiğinde, derhal aküyü omuzdan çıkarın. Kayış ve kayış tokasının serbest bırakılması, daha sonra her iki taraftaki omuz koşum takımının çıkarılması hızlı bir çıkarma yöntemidir.

▲ UYARI: Omuz askısını aküyü çıkartmayı zorlaştıracak şekilde aşırı sıkmayın.

▲ UYARI: "ÖZELLİKLER" bölümünde listelenen aküyle yalnızca belirli EGO ürünleri kullanılabilir. Aküyü diğer elektrikli aletlerle kullanmamalısınız.

BAKIM

▲ UYARI: Akü EGO yetkili servis merkezinde ve teknisyenler tarafından tamir edilmeli ve değiştirilmelidir.

▲ UYARI: Ciddi kişisel yaralanmayı önlemek için, aksesuar değiştirilirken, temizlik veya bakım işlemi gerçekleştirirken daima pil paketini aletten çıkarın.

▲ UYARI: Bakım ve onarım sırasında sadece orijinal EGO yedek parçaları kullanın. Diğer parçaların kullanılması tehlike oluşturabilir veya ürünün hasar görmesine neden olabilir.

▲ UYARI: Uygulanabilecek tek temizlik yolu basınçlı hava ise, daima göz koruması veya yan siperleri olan koruyucu gözlük kullanın. Çalışma tozlu ise bir toz maskesi de takın.

TR

GENEL BAKIM

Plastik parçaları temizlerken çözücü maddeler kullanmaktan kaçınin. Plastikler çeşitli ticari çözücü türlerinden kötü yönde etkilenmeye yatkındır ve kullanılmaları durumunda zarar görebilirler. Kir, toz, yağ, gres, vb. gidermek için temiz bez kullanın.

▲ UYARI: Fren sıvıları, benzin, petrol bazlı ürünler, içe işleyen yağlar, vb.nin plastik parçalara temas etmesine kesinlikle izin vermeyin. Kimyasal maddeler plastik parçalara hasar verebilir, bu tür parçaları zayıflatılabilir veya parçalayabilir ve bu durum ciddi yaralanmalara neden olabilir.

PİLLER

Aküyü sökmeyin ya da pil hücrelerini değiştirmeyi denemeyin. Akülere dokunulması, özellikle yüzük ve başka takılar takıyorsanız ciddi yanıklara neden olabilir. Mümkün olan en uzun akü ömrü için, operatör kullanım kılavuzunu anlayarak okuyun.

▲ UYARI: Kullanılmadığı zaman şarj cihazının fişini çekmek ve aküyü çıkarmak iyi bir uygulamadır.

PİL TAKIMININ ÇIKARILMASI VE GERİ DÖNÜŞÜM İÇİN HAZIRLIK



Li-ion

Akü şarj cihazını ve aküleri/şarj edilebilir pilleri evsel atıklarla birlikte atmayın! AB Yasası 2012/19/EU uyarınca, kullanılmama durumundaki elektrikli ve elektronik cihazlar ve AB Yasası 2006/66/EC uyarınca, arızalı veya kullanılmış aküler/piller ayrı olarak toplanmalı ve çevre dostu bir şekilde imha edilmelidir.

Mevcut geri dönüşüm ve/veya imha seçenekleri hakkında bilgi almak için yerel atık yetkililerine danışın.

▲ UYARI: Akü imha edilmek üzere veya geri dönüşüm için çıkarıldıktan sonra, akünün terminallerini dayanıklı yapışkan bant ile kaplayın. Aküyü tahrip etmeyin, içini açmayın veya parçalarına ayırmayın. Lityum-iyon pillerin geri dönüşümü sağlanmalı veya uygun bir şekilde imha edilmelidir. Ayrıca, asla terminallere metal nesnelere ve/veya vücut azalarınızla dokunmayın, kısa devre yapabilir. Çocuklardan uzak tutun. Bu uyarılara uyulmaması yangına ve/veya ciddi yaralanmalara yol açabilir.

SORUN GİDERME

SORUN	NEDENİ	ÇÖZÜM
Elektrikli alet çalışmıyor	<ul style="list-style-type: none">■ Elektrikli alet ve akü arasında elektrik teması yok.■ Akü boşalmış.■ Akü veya elektrikli alet çok sıcak.■ Kablo veya fiş çalışmıyor.■ PİL hücresinin voltajı 2,7V'nin altında.	<ul style="list-style-type: none">■ Aküyü elektrikli alet başlığına takın.■ Aküyü şarj edin.■ Akü veya elektrikli aletin sıcaklığı normal değerlerin altına düşene kadar soğutun.■ EGO servis merkezleri ile irtibata geçin.■ Aküyü hemen şarj edin.
Akü şarj edilemez.	<ul style="list-style-type: none">■ Akü sıcaklığı belirtilen değerin üzerine çıkmaz veya altına inmez.■ Akü ve şarj cihazı arasında elektrik teması yok.■ Şarj cihazı ve güç kaynağı arasındaki bağlantı yanlış gidiyor.	<ul style="list-style-type: none">■ Sıcaklık normale dönene kadar şarj etmeyi veya boşaltmayı durdurun.■ Aküyü tekrar şarj cihazına takın.■ Şarj cihazının fişini tekrar güç kaynağına takın.

GARANTI

EGO GARANTİ POLİTİKASI

EGO Garanti politikasına ilişkin tüm hüküm ve koşullar için, lütfen egopowerplus.com adresindeki web sitemizi ziyaret edin.

LUGEGE KASUTUSJUHENDIT(AKU)



LUGEGE KÕIKI JUHISEID!

⚠ Jääkrisk! Inimesed, kes kasutavad elektroonilisi seadmeid, nt südamestimulaatorit, peaksid enne selle toote kasutamist konsulteerima oma arstiga. Elektriseadmete kasutamine südamestimulaatori läheduses võib põhjustada südamestimulaatori häireid või rikkeid.

⚠ HOIATUS: Ohutuse ja töökindluse tagamiseks tohivad seda seadet remontida ainult vastava kvalifikatsiooniga hooldustehnikud.

OHUTUSSÜMBOLID

Ohutussümbolite eesmärk on tõmmata teie tähelepanu võimalikele ohtudele. Ohutussümbolitele ja nende juures olevatele seletustele tuleb korralikult tähelepanu pöörata ja need endale selgeks teha. Ohutussümbolid iseenesest ei kõrvalda ohtu olemasolu. Nendega kaasnevad juhendid ja hoiatused ei asenda korralikke õnnetuste vältimise meetmeid.

⚠ HOIATUS: Enne käesoleva seadme kasutamist lugege kindlasti läbi ja tehke endale selgeks kõik Kasutusjuhendis toodud ohutusjuhised, sh kõik ohutussümbolid nagu „OHT,” „HOIATUS,” ja „ETTEVAATUST”. Kui kõiki allpool loetletud juhiseid ei järgita, võib tagajärjeks olla elektrilöök, tulekahju ja/või tõsised isikuvigastused.

⚠ HOIATUS: Tulekahju ja põletuste oht. Mitte koost lahti võtta, mitte kuumutada üle 100 °C ja mitte põlema panna. Hoida akuplokk lastele kättesaamatus kohas. Hoida akuplokki originaalpakendis kuni kasutamiseni. Kõrvaldada kasutatud akuplokk viivitamatult vastavalt kohalikele ümbertöötus- ja jäätmekäitluseeskirjadele.

OHUTUSJUHISED

ET

Sel lehel on kujutatud ja kirjeldatud ohutusühendeid, mida võib käesolevalt tootelt leida. Enne, kui üritate masinat kokku panna ja kasutada, lugege, tehke omale selgeks ja järgige kõiki juhiseid.

	Ohutusteade	Tähistab potentsiaalset isikuvigastuse ohtu.
	Lugege kasutusjuhendit	Et vähendada vigastuste ohtu, peab kasutaja enne toote kasutamist lugema kasutusjuhendit ja selle endale selgeks tegema.
	Ringlussevõtu sümbolid	Ärge visake akuplokke / patareisid olmeprügi hulka, tulle ega vette. Akuplokid / patareisid tuleb kokku koguda ning keskkonnasõbralikku viisil ringluse saata või hävitada.
	CE	Toode vastab rakendatavatele EÜ direktiividele.
	WEEE	Elektriseadmete jäätmeid ei tohi visata olmejäätmete hulka. Viige volitatud taaskäitleja juurde.
V	Voit	Pinge
A	Amper	Voolutugevus
W	Vatt	Võimsus
min	Minutid	Aeg
	Alalisvool	Voolu tüüp või omadus

⚠ HOIATUS: Lugege kõiki juhiseid ja tehke need endale selgeks. Allpool loetletud juhiste eiramise tagajärjeks võivad olla elektrilöök, tulekahju ja/või tõsised isikuvigastused. Enamikes hoiatuses tähistab termin „elektritööriist“ EGO+ akuga töötavaid (juhtmeta) muru hooldamise ja aiatööriistu.

TÖÖPIIRKOHHA OHUTUS

- Hoidke tööpiirkond puhas ja hästi valgustatud. Segadus või valgustamata tööpiirkonnad võivad põhjustada õnnetusi.

- Ärge kasutage elektrilisi tööriistu plahvatusohtlikus keskkonnas, kus leidub nt tuleohtlikke vedelikke, gaase või tolmu. Elektrilised tööriistad tekitavad sädemeid, mis võivad süüdata tolmu või aurusid.

ELEKTRILINE OHUTUS

- Ärge jätke elektrilisi tööriistu vihma kätte ega niiskettesse tingimustesse. Vee sattumine elektrilise tööriista sisse suurendab elektrilöögi ohtu.
- Kasutage seda ainult peatükis „SPETSIFIKATSIOONID“ loetletud laadijate ja elektritööriistadega.

AKUPLOKI KASUTAMINE JA HOOLDUS

- Kui akut ei kasutata, hoidke seda eemal muudest metallesemetest nagu kirjaklambritest, müntidest, võtmetest, naeltest, kruvidest ja muudest väikestest metallesemetest, mis võivad klemmide vahel ühenduse luua. Aku klemmide lühiühendus võib põhjustada põletushaavu ja tulekahju ohtu.
- Valedes tingimustes kasutamisel võib akut vedelikku välja tulla; vältige kokkupuudet sellega. Kokkupuute tekkimisel loputage veega. Kui vedelik satub silma, pöörduge lisaks ka arsti poole. Akust väljuv vedelik võib põhjustada ärritust või põletusi.
- Taaslaetavat akut mitte osadeks võtta, mitte avada ja mitte lõhkuda.
- Ärge jätke akut kuumuse kätte või lahtise tule lähedusse. Vältige seadme hoiustamist otsese päikesevalguse käes.
- Ärge tekitage akus ega patareisid lühisid. Ärge hoidke akusid ega patareisid suvalises karbis või sahtlis, kus nad võivad üksteise või muude metallesemete tõttu lühisesse sattuda.
- Ärge eemaldage akut originaalpakendist enne, kui hakkate seda kasutama.
- Ärge andke akudele ega patareidele mehaanilisi lööke.
- Hoidke akut lastele kättesaamatus kohas. Aku allaneelamisel pöörduge viivitamatult arsti poole.
- Hoidke aku puhas ja kuiv.
- Vajadusel puhastage akuklemme puhta kuiva lapiga.
- Varuakut tuleb enne kasutamist laadida. Kasutage alati õiget laadijat. Korrektsed laadimisjuhised leiata tootja juhistest või seadme kasutusjuhendist.
- Ärge jätke akut pikaks ajaks laadima, kui seda ei kasutata.

- Pikema hoiustamisperioodi järgselt võib olla vajalik akusid maksimaalse jõudluse saavutamiseks mitmeid kordi täis ja tühjaks laadida.
- Säilitage tootega kaasas olev originaaljuhend tulevaseks kasutamiseks.
- Kasutage akusid ainult sihtotstarbeliselt.
- Kui võimalik, eemaldage aku seadmest, kui seda ei kasutata.
- Kõrvaldage nõuetekohaselt.

HOOLDUS

- Järgige käesoleva kasutusjuhendi Hoolduse lõigus toodud juhiseid. Lubamatute osade kasutamine või hooldusjuhiste eiramine võib põhjustada elektrilöögi või kehavigastuse ohtu.

KONKREETSED OHUTUSNÕUDED

- Tundke oma elektrilist tööriista. Lugege hoolikalt kasutusjuhendit. Tehke omale selgeks tööriista rakendusvõimalused ja piirangud, ning ka konkreetse seadmega seotud potentsiaalsed ohud. Selle reegli järgimine vähendab elektrilöögi, tulekahju ja tõsiste vigastuste ohtu.
- Akuga töötavaid tööriistu pole vaja vooluvõrku ühendada, seega on nad alati töörežiimis. Olge teadlik potentsiaalsetest ohtudest elektrilise tööriista kasutamisel. Eemaldage aku alati enne lisatarvikute vahetamist. Selle reegli järgimine vähendab elektrilöögi, tulekahju ja tõsiste isikuvigastuste ohtu.
- Akuplokki mitte purustada, maha kukutada või kahjustada. Ärge kasutage maha kukkunud või löögi saanud akuplokki või laadijat. Kahjustunud aku võib plahvatada. Kõrvaldage maha kukkunud või kahjustunud aku viivitamatult vastavalt asjakohastele eeskirjadele.
- Ärge laadige akut niisketes ega märgades tingimustes. Selle reegli järgimine vähendab elektrilöögi ohtu.
- Parimate tulemuste saavutamiseks tuleks akut laadida kohas, kus temperatuur jääb vahemikku 0°C kuni 40°C. Ärge hoidke seda välitingimustes ega söidukites.
- Ärge laske bensiinil, õlidel, nafta baasil toodetel jms plastosadega kokku puutuda. Need ained sisaldavad kemikaale, mis võivad plastikut vigastada, nõrgestada või hävitada.
- Laske oma akuplokki hooldada kvalifitseeritud remonditehnikul, kes kasutab ainult identseid originaalvaruosi. See tagab akuploki ohutuse säilimise.
- Jätke see kasutusjuhend alles. Lugege seda sageli ning kasutage seda, et seadet sageli kasutavaid isikuid välja õpetada. Kui te seadet kellelegi laenate, andke sellega kaasa ka käesolev kasutusjuhend, et vältida seadme väärkasutamist ja võimalikke vigastusi.

ANOMED

Nimipinge	56V
Maks. mahutavus	1568Wh
Ühilduv laadija	CHX5500E
Laadimisvool	Kiirlaadimine: 8A Tavarežiimis laadimine: 4A
Laadimisaeg	Kiirlaadimine: Umbes 3,5h Tavarežiimis laadimine: Umbes 7h
Ühilduvad elektritööriistad	LBX6000, HTX6500, BCX3800
Kaal	8,7kg
Määratletud ümbritseva keskkonna temperatuur tühjaks laadimiseks	-20°C~40°C

KIRJELDUS

TUNNE OMA AKUPLOKKI (Joon. A)

- Juhe
- Käepide
- USB port

- USB/DC (alalisvoolu) lüliti
- 12 DC liides
- Toiteindikaator ja lüliti
- Rakmete kinnitusvedru
- Vöörihma kinnitusvedru
- Kaitsmete hooldamise kate
- Õlarihm
- Raam
- Võrk
- Vöö
- Rakmed (müügil eraldi)
- Puusapadja tarvik (müügil eraldi)

KASUTAMINE

AKUPLOKI TOITEINDIKAATOR (Joon. B)

See liitumioon seljakott-aku on varustatud toiteindikaatoriga, mis näitab aku täituvuse taset ja akuploki veateateid. Aku täituvuse taseme kuvamiseks vajutage toiteindikaatorile ajal, mil aku ei lae. LED indikaator põleb 10 sekundit.

- Laadimise ajal võib LED indikaator kuvada erinevaid alltoodud näitajaid ilma lüliti vajutamata.

LAADIMINE						
Aku täituvus / Veateade	LED-id					Märkused
	1	2	3	4	5	
<20%	Vilkuv roheline	Väljas	Väljas	Väljas	Väljas	1 vilkuv
20% ≤ täituvus < 40%	Sees	Vilkuv roheline	Väljas	Väljas	Väljas	1 sees, 1 vilkuv
40% ≤ täituvus < 60%	Sees	Sees	Vilkuv roheline	Väljas	Väljas	2 sees, 1 vilkuv
60% ≤ täituvus < 80%	Sees	Sees	Sees	Vilkuv roheline	Väljas	3 sees, 1 vilkuv
80% ≤ täituvus < 100%	Sees	Sees	Sees	Sees	Vilkuv roheline	4 sees, 1 vilkuv
Täituvus = 100% (täislaetud)	Sees	Sees	Sees	Sees	Sees	5 sees mitme minuti jooksul, seejärel lülituvad välja
Akut ei saa laadida	Väljas	Väljas	Väljas	Väljas	Väljas	Kõik 5 LED tuld on kustunud
Aku ülekuumenemine	Väljas	Väljas	Väljas	Väljas	Väljas	Kõik 5 LED tuld on kustunud

Kui seljakott-aku on tühjaks laadimas või kui seda ei kasutata, **VAJUTAGE LÜLITIT** ja LED indikaator kuvab alltoodud, laadivast akust erinevaid näitajaid.

TÜHJAKS LAADIMAS / MITTE KASUTUSES						
Aku täituvus / Veateade	LED-id					Märkused
	1	2	3	4	5	
80% < täituvus ≤ 100%	Sees	Sees	Sees	Sees	Sees	Pärast nupu vajutamist on 5 LED tuld sees 10 sekundi jooksul
60% < täituvus ≤ 80%	Sees	Sees	Sees	Sees	Väljas	Pärast nupu vajutamist on 4 LED tuld sees 10 sekundi jooksul
40% < täituvus ≤ 60%	Sees	Sees	Sees	Väljas	Väljas	Pärast nupu vajutamist on 3 LED tuld sees 10 sekundi jooksul
20% < täituvus ≤ 40%	Sees	Sees	Väljas	Väljas	Väljas	Pärast nupu vajutamist on 2 LED tuld sees 10 sekundi jooksul
10% < täituvus ≤ 20%	Sees	Väljas	Väljas	Väljas	Väljas	Pärast nupu vajutamist on 1 LED tuli sees 10 sekundi jooksul
≤10%	Vilkuv roheline	Väljas	Väljas	Väljas	Väljas	Pärast nupu vajutamist vilgub 1 LED tuli 10 sekundi jooksul
Alapinge (<2.7V)	Vilkuv punane	Vilkuv punane	Vilkuv punane	Vilkuv punane	Vilkuv punane	Pärast nupu vajutamist vilgub 5 punast tuld 10 sekundi jooksul
Aku ülekuumenemine	Põlev punane	Põlev punane	Põlev punane	Põlev punane	Põlev punane	Pärast nupu vajutamist on 5 punast tuld sees 10 sekundi jooksul

AKU KAITSE

Aku voluring kaitseb akuplokki liigse temperatuuri, liigse tühjaks laadimise ja ülelaadimise eest. Aku kaitsmiseks kahjustumise eest ja selle eluea pikendamiseks lülitab akuploki voluring akuploki välja nii ülekoormuse, liiga kõrge kui liiga madala temperatuuri korral. See võib juhtuda ekstreemse pöördemomendi, kinnikiilumise või peatumise olukordades.

- Laadimisel lülitub akuplokk välja, ja kõik 5 LED tuld kustuvad, kui selle temperatuur on üle 60°C või alla 0°C. Temperatuuri normaliseerumisel 90 minuti jooksul jätkab aku töötamist automaatselt. Vastasel juhul lülitub aku välja. Laadimise jätkamiseks ühendage pistik uuesti laadijaga.
- Akuplokk lülitub välja, ja kõik 5 LED tuld kustuvad, ka siis, kui aku pinget ületab selle kaitsepinge. Soovituslik on akuplokk kohe tühjaks laadida. Kui selline situatsioon tekib mitu korda, võtke palun ühendust EGO teeninduskeskusega.
- Tühjaks laadimisel lülitub akuplokk välja, ja pärast nupule vajutamist põlevad kõik 5 LED tuld punaselt, kui selle temperatuur on üle 70°C või alla -20°C. Akuplokk hakkab uuesti tööle temperatuuri normaliseerumisel ja siis saab elektritööriista uuesti kasutada.

- Kui akuploki pinget on vähem kui 2,7V, lülitub akuplokk välja, ja pärast nupule vajutamist vilguvad 5 LED tuld punaselt. Soovituslik on töö viivitamatult peatada ja akuplokki kohe laadida. Kui selline situatsioon tekib mitu korda, võtke palun ühendust oma teeninduskeskusega.

⚠ HOIATUS: Akuplokki ei tohi mitte kunagi mitte mingil tingimusel kuumutada.

AKUPLOKI LAADIMINE

Akuplokk tarnitakse osaliselt laetuna. Laadige akut enne selle esmakordset kasutamist.

⚠ HOIATUS: Ärge laadige akuplokki välitingimustes ning vältige märgi või niiskeid keskkondi. Kui laadijasse või akuplokki satub vett, suureneb elektrilöögi oht. Lisainfo saamiseks lugege palun EGO CHX5500E laadija kasutusjuhendit.

- Ühendage laadija vooluvõrku (220-240V~50Hz).
- Pange aku pistik laadijasse.

ET

- Kui akuplokki laetakse tavarežiimis, vilgub laadija roheline LED1 tuli. Vajutades rohelist nuppu vähemalt 1s jooksul muutub tavarežiimis laadimine (laadimisvool 4A) kiirlaadimiseks (laadimisvool 8A), vilkuma hakkab laadija roheline LED2 tuli ning LED1 tuli kustub.
- Akuplokki pidevalt roheliselt põlevad 5 LED tuld tähendavad, et akuplokk on täielikult laetud. Oodake kuni laadija jahutusventilaator seiskub, eemaldage akuplokk laadijast ja ühendage laadija vooluallikast lahti.

MÄRKUS:

- Kui jätate akuploki laadijasse, laetakse see täielikult, aga ülelaadimist ei toimu.
- Lisainfo saamiseks lugege palun EGO CHX5500E laadija kasutusjuhendit.
- Täielikult laetud akuploki oluliselt vähenenud tööaeg viitab sellele, et akude tööiga hakkab lõppema ja need tuleks välja vahetada.
- Kui pistik ei ole täielikult pesasse sisestatud, siis jääb laadija LED tuli vilkuma.
- Laadija võib laadimise käigus soojeneda. See on laadija tööga kaasnev normaalne näht. Laadige akuplokki hea ventilatsiooniga kohas.

USB/12V DC (alalisvool)

Avage kummist katted ja paigaldage USB/DC pistikud USB/DC portidesse (Joon. C & D). Seejärel vajutage USB/DC lüliti ja akuplokist saab ühendatud seadmeid USB või DC portide kaudu laadida.

C-1	Kummist katted	D-2	12V DC port
D-1	USB port	D-3	USB/DC (alalisvoolu) lüliti

MÄRKUS:

- 56V vooluallika puhul saavad samaaegselt töötada nii USB kui 12V DC funktsioonid. Pärast USB/12V DC funktsioonide kasutamist tõmmake USB/DC pistikud välja ja pange kummist katted tagasi oma kohtadele.
- USB/12V DC funktsioone ei tohi kasutada sel ajal, kui aku laeb.

RAKMETE AKUPLOKIGA ÜHENDAMINE JA LAHTIÜHENDAMINE

Ühendamiseks

Joondage raami neli paigaldussakki paigaldussoontega ja ühendage vöö paigaldussakk rihma kinnitusvedruga. Seejärel libistage rakmeid ülespoole, kuni kostub klõpsatus. (Joon. E).

E-1	Paigaldussoon	E-3	Vöö paigaldussakk
E-2	Raami paigaldussakk		

Lahtiühendamiseks

Vajutage kaht rakmete raami taga olevat vabastusnuppu ja libistage rakmed välja (Joon. F).

AKUPLOKI PAIGALDAMINE

Tavapärase kasutamise korral kantakse rakmetega akuplokki seljas. Väsimuse ennetamiseks ja mugavaks töötamiseks on rakmetel nii vöörihma kui õlarihmade ühendusklambrid, mis tagavad liikumisvabaduse.

Vöörihma pikkust ja õlarihmu saab vabalt reguleerida. Seljapehmenendus peaks olema selja peal kindlalt ja ohutult.

- Enne tavapärase tööga alustamist reguleerige vöö ja õlarihmad enda jaoks mugavaks; nende pikkused peavad vastama teie keha suurusele nii, et kinnitate ka vöö ja õlarihmade ühendusklambrid.
- Lükake vöö- ja õlarihmade klambrite kahte osa üksteise sisse, kuni kostub klõpsatus.
- Reguleerige õlarihmade ühendusklambrid kõrgust nii, et teil on mugav (Joon. I).
- Reguleerige uuesti vöörihma ja rindkere rihma pikkusi.
- Rippuma jääv vöörihma osa pange vöö vahele ja rindkere rihma osa elastikdetalli vahele (Joon. J).

AKU PAIGALDAMINE JA EEMALDAMINE

Laadige enne esimest kasutamist

Juhtige akuploki juhe ümber keha ja ühendage elektritööriist 1,5m ühendusjuhtme abil. Lisainfot leiata elektritööriista kasutusjuhendist.

Paigaldamiseks (Joon. K)

Joondage nii pistikul kui elektritööriistal olevad ▲ logod, paigaldage pistik elektritööriista, kuni roheline osa täies ulatuses pesa sisse läheb.

Eemaldamiseks

Tõmmake pistik elektritööriistast välja.

⚠ HOIATUS: Hädalukorras võtke akuplokk viivitamatult seljast ära. Kiireim vabastamise meetod on avada nii vöö- kui õlarihmade ühendusklambrid ja seejärel eemaldada rakmed mõlemalt õlalt.

⚠ HOIATUS: Ärge õlarihmasid liiga pingule tõmmake, sest see võib akuploki eemaldamise keeruliseks muuta.

⚠ HOIATUS: Ainult teatud EGO tooted sobivad selle akuplokiga kokku; vt „SPETSIFIKATSIOONID“. Soovitame seda akuplokki teiste elektritööriistadega mitte kasutada.

HOOLDUS

⚠ HOIATUS: Akuplokki võivad parandada või välja vahetada ainult EGO kvalifitseeritud teeninduskeskused ja tehnikud.

⚠ HOIATUS: Tõsiste isikuvigastuste vältimiseks eemaldage aku tööriistast alati lisatarvikute vahetamise, puhastamise ja hooldustööde teostamise ajaks.

⚠ HOIATUS: Remondiks võib kasutada ainult identseid EGO originaalvaruosi. Mis tahes muude osade kasutamine võib põhjustada ohtlikke olukordi või seadet vigastada.

⚠ HOIATUS: Kui suruõhu kasutamine on ainus võimalik viis, kandke kindlasti näokaitset või külgakaitsetega kaitseprille. Kui tööpiirkond on tolmune, kandke ka tolumumaski.

ÜLDINE HOOLDUS

Vältige plastosade kasutamisel lahustite kasutamist. Enamik plastmasse on kaubanduslike lahustite suhtes tundlikud ja võivad nende kasutamisel kahjustada saada. Kasutage mustuse, tolmu, õli, määrete jms eemaldamiseks puhtaid riidest lappe.

⚠ HOIATUS: Ärge kunagi laske pidurivedelikel, bensiinil, nafta baasil toodetel, läbitungivatel õlidel jms puutuda kokku plastosadega. Kemikaalid võivad plastikut vigastada, nõrgestada või hävitada, mille tulemusena võivad tekkida tõsised isikuvigastused.

AKUD

Ärge võtke akuplokki lahti ega püüdke selle osi välja vahetada. Akude käsitsemine, eriti kui kannate sõrmuseid või muid ehteid, võib tekitada tõsiseid põletusi. Aku pikima eluea saavutamiseks lugege kasutusjuhendit ja tehke see endale selgeks.

⚠ HOIATUS: Hea tava on ühendada laadija vooluvõrgust lahti ja eemaldada akuplokk, kui neid ei kasutata.

AKUPLOKI EEMALDAMINE JA ETTEVALMISTUS RINGLUSSEVÕTUKS



Li-ion

Ärge visake akulaadijat ega patareisiid / akusid olmeprügi hulka! Vastavalt Euroopa Liidu eriaruandele nr 2012/19/EÜ tuleb elektri- ja elektroonikaseadmed, mis pole enam kasutatavad, ning, vastavalt direktiivile 2006/66/EÜ, ka defektset või kasutatud akuplokid / patareid, eraldi kokku koguda ja utiliseerida keskkonnasõbralikul viisil.

Konsulteerige kohaliku jäätmekäitlusega tegeleva ametkonnaga, et saada informatsiooni ringlussevõtu ja / või kõrvaldamise võimaluste kohta.

⚠ HOIATUS: Pärast akuploki eemaldamist kõrvaldamise või utiliseerimise eesmärgil katke akuploki klemmid vastupidava kleplindiga. Ärge üritage akuplokki hävitada ega lahti võtta ega ühtegi selle osa eemaldada. Liitiumioonakud tuleb nõuetekohaselt ringlusse saata või utiliseerida. Ärge kunagi puudutage klemme metallesemetega ega kehaosadega, sest see võib tekitada lühist. Hoidke lastele kättesaamatus kohas. Nende juhiste eiramine võib põhjustada tulekahju ja/või tõsiseid vigastusi.

TÕRKEOTSING

PROBLEEM	PÕHJUS	LAHENDUS
Elektritööriist ei tööta	<ul style="list-style-type: none">■ Elektritööriista ja aku vahel puudub elektriline ühendus.■ Akuplokk on tühi.■ Akuplokk või elektritööriist on liiga kuum.■ Juhe või pistik ei tööta.■ Akuploki pinge on madalam kui 2,7V.	<ul style="list-style-type: none">■ Ühendage aku elektritööriistaga.■ Laadige akuplokki.■ Jahutage akuplokki või elektritööriista kuni temperatuur langeb normaalsele tasemele.■ Võtke ühendust EGO teeninduskeskusega.■ Laadige akuplokki viivitamatult.
Akuplokki ei saa laadida	<ul style="list-style-type: none">■ Aku temperatuur on üle või alla määratud väärtusi.■ Aku ja laadija vahel puudub elektriline ühendus.■ Ühendus laadija ja vooluallika vahel on valesti.	<ul style="list-style-type: none">■ Lõpetage laadimine või tühjaks laadimine, kuni temperatuur normaliseerub.■ Pange akuplokk laadijasse tagasi.■ Pange laadija pistik uuesti vooluallika külge.

GARANTII**EGA GARANTIIPÕHIMÕTTED**

Täielikud EGO garantiitingimused leiata veebilehelt egopowerplus.com.

ПРОЧИТАЙТЕ ПОСІБНИК КОРИСТУВАЧА (АКУМУЛЯТОР)



ПРОЧИТАЙТЕ ВСІ ІНСТРУКЦІЇ!

⚠️ Залишковий ризик! Люди з електронними пристроями, наприклад кардіостимуляторами, повинні проконсультуватися зі своїм лікарем (лікарями) перед використанням цього виробу. Експлуатація електрообладнання в безпосередній близькості від кардіостимулятора може спричинити перешкоди або несправність кардіостимулятора.

⚠️ ПОПЕРЕДЖЕННЯ. Для гарантування безпеки та надійності всі роботи з ремонту та заміни повинен проводити кваліфікований технічний спеціаліст.

СИМВОЛИ, ЩО СТОСУЮТЬСЯ БЕЗПЕКИ

Мета символів, пов'язаних із безпекою, – привернути вашу увагу до можливих небезпек. Символи безпеки та їхнє пояснення заслуговують на вашу пильну увагу та розуміння. Символи попереджень самі по собі не усувають будь-якої небезпеки. Інструкції та попередження, які вони надають, не замінюють належних заходів щодо запобігання аваріям.

⚠️ ПОПЕРЕДЖЕННЯ. Перш ніж користуватися цим інструментом, обов'язково ознайомтеся з усіма інструкціями з безпеки, наведеними в цьому посібнику користувача, зокрема з усіма символами попереджень, такими як «НЕБЕЗПЕКА», «ПОПЕРЕДЖЕННЯ» та «ЗАСТЕРЕЖЕННЯ». Недотримання наведених нижче вказівок може спричинити ураження електричним струмом, пожежу та/або серйозні травми.

⚠️ ПОПЕРЕДЖЕННЯ. Ризик пожежі та опіків. Не розбирайте, не нагрівайте до температури більше 100 °C й не спалюйте. Тримайте акумулятор у недоступному для дітей місці та в оригінальній упаковці до готовності до використання. Утилізуйте використаний акумулятор негайно відповідно до місцевих правил переробки та поводження з відходами.

ВКАЗІВКИ З ТЕХНІКИ БЕЗПЕКИ

На цій сторінці зображено та описано символи, пов'язані з безпекою, які можуть відобразитись на цьому виробі. Перш ніж намагатися зібрати та експлуатувати його, ознайомтеся з усіма інструкціями на машині та дотримуйтесь їх.

	Попередження щодо безпеки	Вказує на потенційну небезпеку травмування.
	Прочитайте посібник користувача	Щоб зменшити ризик травми, користувач повинен ознайомитися з інструкцією користувача перед використанням цього виробу.
	Символи щодо утилізації	Заборонено утилізувати акумуляторні батареї разом із побутовим сміттям, викидати у воду або спалювати їх. Акумуляторні або звичайні батареї слід збирати та утилізувати із врахуванням вимог щодо охорони довкілля.
	CE	Цей виріб відповідає чинним директивам ЄС.
	WEEE	Відходи електричних виробів не слід викидати разом із побутовим сміттям. Зверніться до авторизованого пункту переробки.
V	Вольти	Напряга
A	Амперы	Струм
W	Вати	Потужність
min	Хвилини	Час
	Постійний струм	Тип або характеристика струму

UK

⚠ ПОПЕРЕДЖЕННЯ. Ознайомтеся з усіма інструкціями. Недотримання всіх вказівок може спричинити ураження електричним струмом, пожежу та/або серйозні травми. Термін «електроінструмент» в більшості згаданих попередженнях стосується пристроїв для догляду за газоном і садом EGO Power+, які працюють від батареї (без проводів).

БЕЗПЕКА В РОБОЧІЙ ЗОНІ

- **Робоча зона має бути чистою й добре освітленою.** Неприбрана або погано освітлена робоча зона може стати причиною нещасного випадку.
- **Не працюйте з інструментом у вибухонебезпечному середовищі, наприклад за наявності легкозаймистих рідин, газів або пилу.** Під час роботи електроприладу утворюються іскри, від яких можуть зайнятися пил або випари.

ЕЛЕКТРИЧНА БЕЗПЕКА

- **Бережіть електроінструменти від дощу та вологи.** Вода, що потрапила в електроінструмент, підвищує ризик ураження електричним струмом.
- **Використовуйте лише зарядні пристрої та електроінструменти, перелічені в розділі «СПЕЦІФІКАЦІЯ».**

КОРИСТУВАННЯ І ДОГЛЯД ЗА АКУМУЛЯТОРОМ

- **Коли батарея не використовується, її слід тримати окремо від металевих предметів, наприклад затискачів для паперу, монет, ключів, цвяхів, шурупів та інших дрібних предметів, які можуть замкнути клема.** Коротке замикання клем акумулятора може стати причиною опіків чи пожежі.
- **У надто важких умовах експлуатації з акумулятора може витікати рідина; не доторкайтесь до неї.** Якщо випадково ви все ж торкнулися її, слід промити це місце водою. Якщо рідина потрапила в очі, слід також звернутися до лікаря. Рідина, яка виступає з акумулятора, може викликати подразнення або опіки.
- **Не розбирайте, не відкривайте й не розрізайте акумулятор.**
- **Не піддавайте акумулятор дії тепла або вогню.** Уникайте зберігання під прямими сонячними променями.

- **Не закорочуйте елемент живлення або акумулятор.** Не зберігайте елементи живлення або акумулятори безладно в коробці або шухляді, де вони можуть закоротити один одного або де їх можуть закоротити інші металеві предмети.
- **Не виймайте акумулятор з оригінальної упаковки, доки він не буде потрібен для використання.**
- **Не піддавайте елементи живлення або акумулятори механічному удару.**
- **Зберігайте акумулятор у місцях, недоступних для дітей.** негайно зверніться до лікаря в разі ковтання акумулятора.
- **Зберігайте акумулятор у чистоті та сухості.**
- **Якщо вони забруднені, протріть клема акумулятора чистою сухою ганчіркою.**
- **Перед використанням акумулятор потрібно зарядити.** Завжди користуйтеся правильним зарядним пристроєм та зверніться до інструкції виробника або посібника обладнання для отримання належних вказівок щодо заряджання.
- **Не залишайте акумулятор заряджатися тривалий час, коли він не використовується.**
- **Після тривалого зберігання може знадобитися кілька разів зарядити та розрядити акумулятори, щоб досягнути максимальної продуктивності.**
- **Зберігайте оригінальну літературу виробу для подальшого використання.**
- **Використовуйте акумулятор лише в спосіб, для якого його призначено.**
- **Коли це можливо, вийміть батарею з обладнання, якщо воно не використовується.**
- **Викидайте батареї належним чином.**

СЕРВІС

- **Дотримуйтесь інструкцій у розділі «Технічне обслуговування» цього посібника.** Використання недозволених деталей або невиконання інструкцій із технічного обслуговування може спричинити ризик ураження струмом або травми.

СПЕЦІАЛЬНІ ПРАВИЛА БЕЗПЕКИ

- **Ознайомтеся зі своїм електроінструментом.** Уважно прочитайте посібник користувача. Дізнайтеся про способи застосування та обмеження, а також про конкретні потенційні ризики, пов'язані з інструментом. Дотримання цього правила зменшить ризик ураження електричним струмом, пожежі або серйозних травм.

- Акумуляторні інструменти не потрібно підключати до електричної розетки; отже, вони завжди в робочому стані. Не забувайте про можливі небезпеки, коли ви не використовуєте акумуляторний інструмент. Завжди виймайте батарею, перш ніж замінювати аксесуари. Дотримання цього правила зменшить ризик ураження електричним струмом, пожежі або серйозних травм.
- Не розбивайте, не кидайте й не пошкоджуйте акумуляторну батарею. Не використовуйте акумуляторну батарею або зарядний пристрій, який упав або отримав різкий удар. Пошкоджений акумулятор може вибухнути. Негайно викиньте батарею, що впала або отримала пошкодження.
- Не заряджайте батарею в сухих та вологих місцях. Дотримання цього правила зменшить ризик ураження електричним струмом.
- Для досягнення найкращих результатів акумулятор потрібно заряджати при температурі від 0 °C до 40 °C. Не зберігайте його за межами приміщення або в автомобілі.
- Ніколи не допускайте контакту пластмасових частин із паливом, оліями, нафтопродуктами тощо. Ці речовини містять хімікати, які можуть пошкодити, ослабити або знищити пластик.
- Віддавайте акумуляторну батарею в ремонт кваліфікованому фахівцеві та використовуйте тільки оригінальні запасні частини. Це забезпечить надійну роботу акумуляторної батареї.
- Збережіть цю інструкцію. Часто переглядайте та використовуйте її, щоб навчати інших, хто може використовувати цей інструмент. Якщо ви надаєте комусь цей інструмент, надайте їм ці інструкції, щоб запобігти неналежному використанню виробу та можливим травмам.

ТЕХНІЧНІ ХАРАКТЕРИСТИКИ

Номінальна напруга	56В
Максимальна ємність	1568Вт/год
Сумісний зарядний пристрій	СНХ5500Е
Струм заряджання	Швидке заряджання: 8А Звичайне заряджання: 4А
Час зарядження	Швидке заряджання: Близько 3,5год Звичайне заряджання: Близько 7год
Сумісні електроінструменти	LBX6000, НТХ6500, ВСХ3800
Вага	8,7кг
Рекомендований діапазон температур навколишнього середовища для розрядження	-20°C ... +40°C

ОПИС

ОЗНАЙОМЛЕННЯ З АКУМУЛЯТОРОМ (рис. А)

1. Кабель
2. Ручка
3. USB-порт
4. Перемикач USB/DC
5. Гніздо постійного струму 12 В
6. Індикатор живлення та кнопка перемикачання
7. Кріплення плечового ременя
8. Кріплення поясного ременя
9. Кришка для заміни запобіжника
10. Плечовий ремінь
11. Рама
12. Сітка
13. Ремінь
14. Ремені (продаються окремо)
15. Підкладка на стегно (продаються окремо)



ЕКСПЛУАТАЦІЯ

ІНДИКАТОР ЖИВЛЕННЯ НА АКУМУЛЯТОРНІЙ БАТАРЕЇ (Рис. В)

Цей літій-іонний наплічний акумулятор обладнано індикатором живлення, що вказує на його рівень заряду. Натисніть на індикатор живлення, щоб відобразити його ємність, коли акумулятор не заряджається. Світлодіодний індикатор світитиме протягом 10 секунд.

- Під час заряджання світлодіодний індикатор може видавати різну індикацію, як зазначено нижче, без натискання кнопки перемикача.

Ємність акумулятора / помилка	ЗАРЯДЖАННЯ					Зауваження
	Світлодіоди					
	1	2	3	4	5	
<20%	Блимає зеленим	Вимкнено	Вимкнено	Вимкнено	Вимкнено	1 блимає
20% ≤ ємність < 40%	Увімкнено	Блимає зеленим	Вимкнено	Вимкнено	Вимкнено	1 увімкнено, 1 блимає
40% ≤ ємність < 60%	Увімкнено	Увімкнено	Блимає зеленим	Вимкнено	Вимкнено	2 увімкнено, 1 блимає
60% ≤ ємність < 80%	Увімкнено	Увімкнено	Увімкнено	Блимає зеленим	Вимкнено	3 увімкнено, 1 блимає
80% ≤ ємність < 100%	Увімкнено	Увімкнено	Увімкнено	Увімкнено	Блимає зеленим	4 увімкнено, 1 блимає
Ємність = 100% (повністю заряджений)	Увімкнено	Увімкнено	Увімкнено	Увімкнено	Увімкнено	5 увімкнено протягом кількох хвилин, потім вимикаються
Акумулятор не може бути заряджений	Вимкнено	Вимкнено	Вимкнено	Вимкнено	Вимкнено	5 світлодіодних індикаторів буде вимкнено
Перевищена температура акумулятора	Вимкнено	Вимкнено	Вимкнено	Вимкнено	Вимкнено	5 світлодіодних індикаторів буде вимкнено

Якщо наплічний акумулятор розряджається або залишається без використання, **НАТИСНІТЬ КНОПКУ ПЕРЕМИКАЧА**, світлодіодний індикатор видасть іншу індикацію, відмінну від індикації заряджання, як показано нижче.

UK

180

НАПЛІЧНИЙ АКУМУЛЯТОР 56 ВОЛЬТ — ВАХ1500

РОЗРЯДЖАННЯ/БЕЗ ВИКОРИСТАННЯ						
Ємність акумулятора / помилка	Світлодіоди					Зуваження
	1	2	3	4	5	
80% < ємність ≤ 100%	Увімкнено	Увімкнено	Увімкнено	Увімкнено	Увімкнено	5 світлодіодних індикаторів світяться 10 секунд після натискання кнопки
60% < ємність ≤ 80%	Увімкнено	Увімкнено	Увімкнено	Увімкнено	Вимкнено	4 світлодіодні індикатори світяться 10 секунд після натискання кнопки
40% < ємність ≤ 60%	Увімкнено	Увімкнено	Увімкнено	Вимкнено	Вимкнено	3 світлодіодні індикатори світяться 10 секунд після натискання кнопки
20% < ємність ≤ 40%	Увімкнено	Увімкнено	Вимкнено	Вимкнено	Вимкнено	2 світлодіодні індикатори світяться 10 секунд після натискання кнопки
10% < ємність ≤ 20%	Увімкнено	Вимкнено	Вимкнено	Вимкнено	Вимкнено	1 світлодіодний індикатор світяться 10 секунд після натискання кнопки
≤ 10%	Блимає зеленим	Вимкнено	Вимкнено	Вимкнено	Вимкнено	1 світлодіодний індикатор блимає 10 секунд після натискання кнопки
Знижена напруга (<2,7 В)	Блимає червоним	Блимає червоним	Блимає червоним	Блимає червоним	Блимає червоним	5 червоних світлодіодних індикаторів блимають 10 секунд після натискання кнопки
Перевищена температура акумулятора	Світиться червоним	Світиться червоним	Світиться червоним	Світиться червоним	Світиться червоним	5 червоних світлодіодних індикаторів світяться 10 секунд після натискання кнопки

ЗАХИСТ БАТАРЕЇ

Схема акумулятора захищає його від екстремальної температури, надмірного розряду та заряду. Щоб захистити акумулятор від пошкоджень і подовжити його термін служби, схема акумуляторної батареї вимкне акумуляторну батарею, якщо вона перевантажена або коли температура стане занадто високою або низькою під час використання. Це може трапитися при надзвичайно високих крутних моментах, заземленні та заглуканні.

- У випадку заряджання батарея буде вимкнена і всі 5 світлодіодів вимкнуться, коли температура буде вище 60°C або нижче 0°C. Коли температура повернеться до норми протягом 90 хвилин, акумулятор повернеться до роботи автоматично. В іншому разі акумулятор вимкнеться. Знову вставте штекер у зарядний пристрій, щоб знову активувати заряджання.
- Акумулятор також буде вимкнений і всі 5 світлодіодів вимкнуться, коли напруга акумуляторної батареї перевищить максимально допустиму напругу. Рекомендується негайно розрядити акумуляторну батарею. Якщо це повторюється багато разів, зверніться до сервісного центру EGO.

UK

- У випадку розрядження, коли температура акумуляторної батареї вище 70°C або нижче -20°C, батарею буде вимкнено, і 5 світлодіодних індикаторів горітимуть червоним протягом 10 секунд після натискання кнопки. Акумулятор повернеться до роботи в обох випадках, коли буде відновлено нормальну температуру, і це дасть змогу знову запустити електроінструмент.
- Коли напруга акумуляторної батареї становить менше 2,7 В, акумулятор вимкнеться і 5 світлодіодні індикатори блиматимуть червоним протягом 10 секунд після натискання кнопки. Рекомендується негайно припинити роботу та зарядити акумуляторну батарею. Якщо це повториться багато разів, зверніться по допомогу до фахівців сервісного центру.

▲ ПОПЕРЕДЖЕННЯ. У жодному разі не нагрівайте акумуляторну батарею.

ЗАРЯДЖАННЯ АКУМУЛЯТОРНОЇ БАТАРЕЇ

Акумуляторна батарея постачається частково зарядженою. Перш ніж використовувати вперше, її потрібно зарядити.

▲ ПОПЕРЕДЖЕННЯ. Не заряджайте акумуляторну батарею поза приміщенням і не піддавайте умовам підвищеної вологості. Вода, що потрапила в зарядний пристрій або акумуляторну батарею, підвищує ризик ураження електричним струмом. Для отримання додаткової інформації див. посібник користувача зарядного пристрою EGO CHX5500E.

1. Підключіть зарядний пристрій до джерела живлення (220–240 В, 50 Гц).
2. Вставте штекер акумулятора в зарядний пристрій.
3. Під час звичайного заряджання акумулятора блимає зелений індикатор 1 на зарядному пристрої. Після натискання й утримання зеленої кнопки принаймні протягом 1 секунди звичайне заряджання (струм заряджання 4А) переключиться на швидке заряджання (струм заряджання 8А), і зелений індикатор 2 на зарядному пристрої блиматиме, а індикатор 1 згасне.
4. 5 світлодіодів акумуляторної батареї безперервно світяться зеленим, коли акумулятор повністю заряджено. Зачекайте, доки охолоджувальний вентилятор зарядного пристрою зупиниться, вийміть акумулятор із зарядного пристрою та від'єднайте зарядний пристрій від джерела живлення.

ПРИМІТКА.

- Акумулятор повністю зарядиться, якщо залишити його на зарядному пристрої, але він не заряджатиметься надмірно.
- Див. вказівки в посібнику користувача зарядного пристрою EGO CHX5500E, щоб отримати докладнішу інформацію.
- Значно зменшений час роботи після повного заряджання акумуляторної батареї вказує на те, що акумулятори доходять до кінця терміну їхньої експлуатації і їх необхідно замінити.
- Якщо ви не вставили штекер у гніздо повністю, світлодіодний індикатор зарядного пристрою буде постійно блимати.
- Зарядний пристрій може нагріватися під час заряджання. Це не виходить за рамки нормальної роботи зарядного пристрою. Заряджайте акумулятор у добре провітрюваному приміщенні.

USB/12В постійного струму

Відкрийте гумові заглушки та вставте штекер USB/DC у відповідний роз'єм (рис. C & D). Потім натисніть кнопку перемикача USB/DC, акумулятор живитиме пристрій, під'єднаний до нього, через порти USB або DC.

C-1	Гумові заглушки	D-2	Гніздо постійного струму 12 В
D-1	USB-порт	D-3	Перемикач USB/DC

ПРИМІТКА.

- Функції живлення через гніздо USB і 12 В постійного струму можуть працювати з джерелом живлення 56 В одночасно. Після використання гнізда USB / 12 В постійного струму витягніть відповідні штекери та встановіть гумові заглушки на місце.
- Не слід використовувати роз'єми USB / 12 В постійного струму під час заряджання акумуляторної батареї.

ПІД'ЄДНАННЯ ТА ВІД'ЄДНАННЯ РЕМЕНІВ ДО/ВІД АКУМУЛЯТОРНОЇ БАТАРЕЇ

Під'єднання

Сумістіть чотири виступи на каркасі з кріпильними канавками та з'єднайте ребро на ремені з його пружкою. Потім просуньте ремені до кляцання. (рис. E).

E-1	Кріпильний паз	E-3	Виступ на поясі
E-2	Виступ на рамі		

Від'єднання

Натисніть дві кнопки відпускання на ремнях ззаду рами та висуňte ремені (рис. F).

НОСІННЯ АКУМУЛЯТОРНОЇ БАТАРЕЇ

У нормальному режимі акумулятор з ремнями носить на спині. Щоб запобігти стомлюваності та працювати комфортно, ремені обладнані застібкою поясного ремня та плечевого ремня, що гарантує свободу руху.

Довжину поясного та плечевого ремінців можна вільно регулювати. Спинна підкладка має міцно та надійно прилягати до спини.

- Відрегулюйте довжину поясного та плечевого ремнів за допомогою застібок, щоб почуватися комфортно, перш ніж виконувати роботу.
- Вставте дві частини наплічної та грудної застібки одна в одну до клацання (рис. G і H).
- Налаштуйте висоту грудної застібки, щоб почуватися комфортно (рис. I).
- Відрегулюйте довжину поясного та нагрудного ремнів.
- Закріпіть зайву частину поясного та нагрудного ремня резинкою (рис. J).

УСТАНОВЛЕННЯ І ВИДАЛЕННЯ АКУМУЛЯТОРА

Заряджання перед першим використанням

Проведіть кабель акумуляторної батареї збоку від тіла та підключіть електроінструмент до з'єднувального кабелю довжиною 1,5 м. Дотримуйтеся інструкцій, наведених у посібнику з електроінструментів.

Установлення (рис. K)

Вирівнявши логотип ▲ на штекері та електроінструменті відповідним чином, вставте штекер в електроінструмент, доки зелений ущільнювач повністю не зникне в гнізді.

Видалення

Витягніть штекер з електроінструмента.

▲ ПОПЕРЕДЖЕННЯ. У надзвичайній ситуації негайно зніміть акумуляторну батарею з плеча. Розстібніть пряжку поясного та грудного ремнів, а потім плечові ремені з кожної сторони – це спосіб швидкого знімання.

▲ ПОПЕРЕДЖЕННЯ. Не затягуйте плечові ремені надмірно, оскільки це може ускладнити зняття акумуляторної батареї.

▲ ПОПЕРЕДЖЕННЯ. Для акумуляторної батареї підходять тільки деякі виробники EGO, зазначені в розділі «СПЕЦИФІКАЦІЇ». Ми рекомендуємо не використовувати акумуляторну батарею з іншими електроінструментами.

ТЕХНІЧНЕ ОБСЛУГОВУВАННЯ

▲ ПОПЕРЕДЖЕННЯ. Ремонт і заміну акумуляторної батареї дозволяється виконувати тільки в авторизованому сервісному центрі EGO та кваліфікованим технічним фахівцям.

▲ ПОПЕРЕДЖЕННЯ. Щоб уникнути серйозних травм, завжди виймайте акумуляторну батарею з інструмента, перш ніж замінювати приладдя, чистити або виконувати будь-яке технічне обслуговування.

▲ ПОПЕРЕДЖЕННЯ. Використовуйте для технічного обслуговування лише ідентичні запчастини EGO. Використання будь-яких інших частин створює небезпеку або може призвести до поломки виробу.

▲ ПОПЕРЕДЖЕННЯ. Якщо єдиним способом застосування є очищення стисненим повітрям, завжди використовуйте закриті захисні окуляри або відкриті захисні окуляри з бічними щитками. Коли здійснюється пил, надягайте також протипилову маску.

ЗАГАЛЬНИЙ ТЕХНІЧНИЙ ДОГЛЯД

Не застосовуйте розчинники, коли чистите пластмасові деталі. Більшість пластмас чутливі до різноманітних промислових розчинників і можуть бути ними пошкоджені. Для видалення бруду, пилу, мастила тощо користуйтеся чистою ганчіркою.

▲ ПОПЕРЕДЖЕННЯ. Ніколи не допускайте контакту пластмасових частин із гальмівною рідиною, газоліном, нафтопродуктами, проникаючими оліями і т. ін. Хімікалії можуть пошкодити, ослабити або зруйнувати пластмасу, а це загрожує серйозними травмами.

БАТАРЕЇ

Не розбирайте акумулятор і не намагайтеся замінити елементи живлення. Маніпулювання батареями, особливо в разі носіння кілець і прикрас, може призвести до серйозних опіків. Щоб досягти найтривалішого терміну служби акумулятора, ознайомтеся з посібником користувача.

⚠ ПОПЕРЕДЖЕННЯ. Хорошою практикою є від'єднання зарядного пристрою та видалення акумулятора, коли він не використовується.

ВИДАЛЕННЯ АКУМУЛЯТОРА ТА ПІДГОТОВКА ДО УТИЛІЗАЦІЇ



Li-ion

Не викидайте зарядний пристрій та батареї/акумулятори в побутові відходи! Відповідно до європейського закону 2012/19/ЄС електричне та електронне обладнання, яке більше не придатне для використання, і згідно з європейським законом 2006/66/ЄС дефектні або використані акумуляторні батареї мають збиратись окремо та утилізуватись у правильний з екологічної точки зору спосіб.

Зверніться до свого місцевого органу влади, що займається відходами, щоб отримати інформацію щодо наявних можливостей переробки та/або утилізації.

⚠ ПОПЕРЕДЖЕННЯ. Після виймання акумуляторної батареї для утилізації або переробки вкрийте клеми акумулятора міцною клейкою стрічкою. Не намагайтесь знищити або розібрати акумуляторну батарею або видалити будь-які її компоненти. Літій-іонні батареї слід утилізувати належним чином. Також ніколи не торкайтесь клем металевими предметами та/або частинами тіла, оскільки це може призвести до короткого замикання. Тримайте подалі від дітей. Недотримання цих попереджень може призвести до пожежі та/або серйозних травм.

УСУНЕННЯ НЕСПРАВНОСТЕЙ

ПРОБЛЕМА	ПРИЧИНА	ВИРІШЕННЯ
Електроінструмент не працює	<ul style="list-style-type: none"> ■ Немає електричного контакту між електроінструментом і акумулятором. ■ Акумуляторна батарея розряджена. ■ Акумулятор або електроінструмент занадто гарячі. ■ Кабель або штекер не працюють. ■ Напруга акумуляторної батареї нижче 2,7 В. 	<ul style="list-style-type: none"> ■ Приєднайте акумулятор до електроінструмента. ■ Зарядіть акумуляторну батарею. ■ Остудіть акумулятор і електроінструмент, доки температура не опуститься до норми. ■ Зверніться до сервісного центру EGO. ■ Негайно зарядіть акумуляторну батарею.
Акумулятор не може бути заряджений	<ul style="list-style-type: none"> ■ Температура акумулятора вище або нижче вказаного значення. ■ Немає електричного контакту між акумулятором і зарядним пристроєм. ■ З'єднання між зарядним пристроєм та джерелом живлення не працює. 	<ul style="list-style-type: none"> ■ Зупиніть заряджання або розряджання, доки температура не повернеться до норми. ■ Знову вставте акумуляторну батарею в зарядний пристрій. ■ Знову вставте вилку зарядного пристрою до джерела живлення.

UK

ГАРАНТІЯ

ПРАВИЛА ГАРАНТІЇ EGO

Будь ласка, відвідайте веб-сайт egopowerplus.com для отримання повних умов гарантійної політики EGO.

ПРОЧЕТЕТЕ ВСИЧКИ ИНСТРУКЦИИ (АКУМУЛАТОРНИ БАТЕРИИ)



ПРОЧЕТЕТЕ ВСИЧКИ ИНСТРУКЦИИ!

⚠️ Остатъчен риск! Хора с електронни устройства, като пейсмейкър трябва да се консултират с лекувачия(те) си лекар(и) преди употреба на този продукт. Работата с електрическо оборудване в непосредствена близост до сърдечен пейсмейкър може да предизвика смущение или неизправност на пейсмейкъра.

⚠️ ПРЕДУПРЕЖДЕНИЕ: За да осигурите безопасността и надеждността, всички поправки и подмени трябва да се извършват от квалифициран сервизен техник.

СИМВОЛИ ЗА БЕЗОПАСНОСТ

Целта на символите за безопасност е да привлечат вниманието към възможни опасности. Символите за безопасност и обясненията към тях заслужават вашето повишено внимание и осъзнаване. Символите за безопасност сами по себе си не елиминират каквато и да е опасност. Инструкциите и предупрежденията, които предоставят не са заместители за подходящите мерки за предотвратяване на инцидент.

⚠️ ПРЕДУПРЕЖДЕНИЕ: Уверете се, че сте прочели и осъзнали всички инструкции за безопасност в това Ръководство на оператора, включително всички известяващи символи за безопасност, като **“ОПАСНОСТ,” “ПРЕДУПРЕЖДЕНИЕ,”** и **“ВНИМАНИЕ”** преди да използвате този инструмент. Неспазването на всички инструкции изброени долу може да доведе до електрически шок, пожар и/или сериозно нараняване.

⚠️ ПРЕДУПРЕЖДЕНИЕ: Опасност от пожар или изгаряния. Не разглобявайте, не загревайте над 100 °C или не изгаряйте. Дръжте акумулаторната батерия извън обсега на деца и в оригиналната опаковка докато не е готова за употреба. Незабавно изхвърляйте употребявани акумулаторни батерии в съответствие с местните регулации за рециклиране или отпадъци.

ИНСТРУКЦИИ ЗА БЕЗОПАСНОСТ

Тази страница изобразява и описва символите за безопасност, които може да се появят по този продукт. Прочетете, осъзнайте и следвайте всички инструкции по машината преди предприемане на сглобяване или работа.

	Сигнал за безопасност	Показва риска от потенциално нараняване на човек.
	Прочетете ръководството на оператора	За намаляване на опасността от нараняване, потребителят трябва да прочете и да осъзнае ръководството на оператора преди употреба на този продукт.
	Символи за рециклиране	Не изхвърляйте акумулаторната батерия/батериите в домакинския отпадък, огън или вода. Акумулаторните батерии/батериите трябва да се събират, рециклират или изхвърлят по безопасен за околната среда начин.
	CE	Този продукт е в съответствие с приложимите директиви на ЕС.

	WEEE	Отпадъчните електрически продукти не трябва да бъдат изхвърляни заедно с домакинския отпадък. Отнесете го до упълномощено място за рециклиране.
V	Волта	Напрежение
A	Ампера	Ток
W	Вата	Мощност
min	Минути	Време
	Постоянен ток	Вид или характеристика на тока

⚠ ПРЕДУПРЕЖДЕНИЕ: Прочетете и осъзнайте всички инструкции. Неспазването на всички инструкции изброени може да доведе до електрически шок, пожар и/или сериозно нараняване. Терминът „електроинструмент“ при всички изброени предупреждения се отнася за ливадни и градински машини управляване със захранване EGO + акумулаторна батерия (безкабелно).

БЕЗОПАСНОСТ В РАБОТНАТА ЗОНА

- **Поддържайте работната зона чиста и добре осветена.** Разхвърляни или тъмни работни зони пораждат инциденти.
- **Не работете с електроинструменти в експлозивна среда, като например в присъствието на запалими течности, газ или прах.** Електроинструментите може да създадат искри, които може да възпламят праха или изпаренията.

ЕЛЕКТРИЧЕСКА БЕЗОПАСНОСТ

- **Не излагайте електроинструментите на дъжд или влажни условия.** Навлизането на вода в електроинструмент ще увеличи риска от електрически шок.
- **Използвайте единствено със зарядни устройства и електроинструменти изброени в “СПЕЦИФИКАЦИИ”.**

УПОТРЕБА И ГРИЖА ЗА АКУМУЛАТОРНИ БАТЕРИИ

- **Когато акумулаторната батерия не се използва, дръжте я настрана от други метални предмети, като кламери, монети, ключове, пирони, винтове или други малки метални предмети, които могат да направят връзката от едната клемма до другата.** Свързване на късо на клемите на акумулаторната батерия може да причини изгаряния или пожар.
- **При условия на злоупотреба, течност може да се отдели от акумулаторната батерия; предотвратете контакт.** Ако инцидентно възникне контакт, изплакнете с вода. Ако течност влезе в контакт с очите, допълнително потърсете медицинска помощ. Течност отделена от акумулаторната батерия може са предизвика възпаление или изгаряния.
- **Не разглобявайте, отваряйте или режете презареждащи се батерии.**
- **Не излагайте батериите на топлина или огън.** Избягвайте съхранение под директна слънчева светлина.
- **Не свързвайте на къса клетка или батерия.** Не съхранявайте клетки или батерии небрежно в кутия или чекмедже, където могат да се свържат на късо една с друга или да се свържат на късо с други метални предмети.
- **Не премахвайте батерия от оригиналната опаковка, докато не се изисква употреба.**
- **Не излагайте клетките или батериите на механичен стрес.**
- **Дръжте батерията извън досег от деца.** Незабавно потърсете медицинска помощ, ако батерия бъде погълната.
- **Поддържайте батерията чиста и суха.**
- **Забърсвайте клемите на батерията с чист, сух плат, ако се зацапат.**
- **Акумулаторните батерии трябва да се зарядят преди употреба.** Винаги използвайте подходящо зарядно устройство и се обърнете към инструкциите на производителя или ръководството на оборудването за подходящи инструкции за зареждане.
- **Не оставяйте акумулаторна батерия продължително да се зарежда, когато не се използва.**
- **След продължителни периоди на съхранение може да е необходимо да зарядите и разредите батериите няколко пъти, за да се постигнат максимални работни характеристики.**

- Запазете оригиналната литература на продукта за бъдещи справки.
- Използвайте батерията единствено за приложението, за която е предназначена.
- Когато е възможно, премахнете батерията от оборудването, когато не се използва.
- Изхвърлете по подходящ начин.

ОБСЛУЖВАНЕ

- Следвайте инструкциите в раздел Поддръжка на това ръководство. Употребата на неотризирирани части или неспазването на инструкциите за поддръжка може да създадат риск от шок или нараняване.

СПЕЦИФИЧНИ ПРАВИЛА ЗА БЕЗОПАСНОСТ

- Опознайте вашия електроинструмент. Прочетете внимателно ръководството на оператора. Научете приложенията и ограниченията, както и специфичните потенциални опасности свързани с инструмента. Следването на това правило ще намали риска от електрически шок, пожар или сериозно нараняване.
- Инструментите на батерии не е необходимо да се включват в електрическия контакт; поради това те винаги са в състояние за работа. Имайте предвид възможните опасности, когато използвате вашия инструмент на батерии. Винаги сменяйте акумулаторната батерия преди смяна на аксесоари. Следването на това правило ще намали риска от електрически шок, пожар или сериозно нараняване.
- Не разбивайте, изпускате или повредяйте акумулаторната батерия. Не използвайте акумулаторната батерия или зарядното устройство, ако е изпускано или е претърпяло силен удар. Повредената батерия е обект на експлозия. Незабавно изхвърлете по подходящ начин изпуснатата или повредена батерия.
- Не зареждайте акумулаторната батерия на влажни или мокри места. Следването на това правило ще намали риска от електрически шок.
- За най-добри резултати, вашата батерия трябва да се зарежда на места, където температурата е по-висока от 0° C и по-ниска от 40° C. Не я съхранявайте на открито или в превозни средства.
- Не позволявайте бензин, масло, петролни продукти и т.н. да влизат в контакт с пластмасовите части. Тези субстанции съдържат химикали, които могат да повредят, отслабят или разрушат пластмасата.

- Обслужвайте вашата акумулаторна батерия чрез квалифициран техник, като използвате само идентични резервни части. Това ще осигури поддържането на безопасност за вашата акумулаторна батерия.
- Запазете тези инструкции. Обръщайте се често към тях и ги използвайте за инструктиране на други, които може да използват този инструмент. Ако заемете този инструмент на някой друг, заемете им и тези инструкции, за да се предотврати злоупотреба с продукта и вероятно нараняване.

СПЕЦИФИКАЦИИ

Номинално напрежение	56V
Максимален капацитет	1568Wh
Съвместимо зарядно устройство	CHX5500E
Зареждащо напрежение	Бързо зареждане: 8A Нормално зареждане: 4A
Време на зареждане	Бързо зареждане: Приблизително 3,5 часа Нормално зареждане: Приблизително 7 часа
Съвместими електрически инструменти	LBX6000, НТХ6500, ВСХ3800
Тегло	8,7кг
Определен температурен диапазон на околната среда за зареждане.	-20°С~40°С

ОПИСАНИЕ

ОПОЗНАЙТЕ ВАШАТА АКУМУЛАТОРНА БАТЕРИЯ (Фиг. А)

1. Кабел
2. Ръкохватка
3. USB порт
4. USB/DC превключвател
5. 12 DC интерфейс
6. Електрически индикатор и бутон за превключване
7. Пружина за закрепване на ремъка за рамо
8. Пружина за закрепване на ремъка за колана
9. Сервизен капак за предпазителите
10. Ремък за рамо
11. Рамка
12. Мрежа
13. Колан
14. Сбруя (продава се отделно)
15. Аксесоар подложка за ханша (продава се отделно)

РАБОТА

ЕЛЕКТРИЧЕСКИ ИНДИКАТОР ВЪРХУ АКУМУЛАТОРНАТА БАТЕРИЯ (фиг. В)

Тази литиево-йонна акумулаторна раница е оборудвана с електрически индикатор, който показва нивото на капацитета на заряда и грешките на акумулаторната батерия. Натиснете електрическия индикатор за да покажете нивото на оставащия капацитет, когато батерията не се зарежда. Светодиодният индикатор ще светне за 10 секунди.

- В случай на зареждане светодиодният индикатор ще покаже различни интерфейси, без натискане на бутон за превключване.

Капацитет на батерията / грешка	ЗАРЕЖДАНЕ					Бележки
	Светодиоди					
	1	2	3	4	5	
<20%	Мига в зелено	Изкл.	Изкл.	Изкл.	Изкл.	1 мигане
20% ≤ капацитет < 40%	Вкл.	Мига в зелено	Изкл.	Изкл.	Изкл.	1 вкл, 1 мигане
40% ≤ капацитет < 60%	Вкл.	Вкл.	Мига в зелено	Изкл.	Изкл.	2 вкл, 1 мигане
60% ≤ капацитет < 80%	Вкл.	Вкл.	Вкл.	Мига в зелено	Изкл.	3 вкл, 1 мигане
80% ≤ капацитет < 100%	Вкл.	Вкл.	Вкл.	Вкл.	Мига в зелено	4 вкл, 1 мигане
Капацитет = 100% (напълно зареден)	Вкл.	Вкл.	Вкл.	Вкл.	Вкл.	5 вкл за няколко минути, след това се изключват
Батерията не може да бъде заредена	Изкл.	Изкл.	Изкл.	Изкл.	Изкл.	Всички 5 светодиодни светлини ще бъдат изключени
Свръх - температура на батерията	Изкл.	Изкл.	Изкл.	Изкл.	Изкл.	Всички 5 светодиодни светлини ще бъдат изключени

Ако акумулаторната раница се разрежда или остава неизползвана, **НАТИСНЕТЕ БУТОНА ЗА ПРЕВКЛЮЧВАНЕ**, светодиодният индикатор ще покаже интерфейс, като долупоказания, различен от този за зареждане.

РАЗРЕЖДАНЕ / БЕЗ УПОТРЕБА						
Капацитет на батерията / грешка	Светодиоди					Бележки
	1	2	3	4	5	
80% < капацитет ≤ 100%	Вкл.	Вкл.	Вкл.	Вкл.	Вкл.	5 включени светодиода за 10 секунди след натискане на бутон
60% < капацитет ≤ 80%	Вкл.	Вкл.	Вкл.	Вкл.	Изкл.	4 включени светодиода за 10 секунди след натискане на бутон
40% < капацитет ≤ 60%	Вкл.	Вкл.	Вкл.	Изкл.	Изкл.	3 включени светодиода за 10 секунди след натискане на бутон
20% < капацитет ≤ 40%	Вкл.	Вкл.	Изкл.	Изкл.	Изкл.	2 включени светодиода за 10 секунди след натискане на бутон
10% < капацитет ≤ 20%	Вкл.	Изкл.	Изкл.	Изкл.	Изкл.	1 включен светодиод за 10 секунди след натискане на бутон
≤ 10%	Мига в зелено	Изкл.	Изкл.	Изкл.	Изкл.	1 включен светодиод за 10 секунди след натискане на бутон
спад на напрежението (<2,7V) с цел съхраняване на енергия	Мигащо червено	Мигащо червено	Мигащо червено	Мигащо червено	Мигащо червено	5 мигащи червени светлини за 10 секунди след натискане на бутон
Свръх - температура на батерията	Свети червено	Свети червено	Свети червено	Свети червено	Свети червено	5 включени червени светлини за 10 секунди след натискане на бутон

ЗАЩИТА НА АКУМУЛАТОРНАТА БАТЕРИЯ

Електрическата схема на акумулаторната батерия предпазва батерията от екстремна температура, прекомерно разреждане и презареждане. За предпазване на акумулаторната батерия от повреда и за удължаване на живота, електрическата схема на батерията ще изключи акумулаторната батерия, ако се претовари или ако температурата стане твърде висока или твърде ниска по време на употреба. Това може да се случи при ситуации на изключително висок въртящ момент, задържане и спиране.

- В случай на зареждане акумулаторната батерия ще се изключи с изключени всички 5 светодиода, когато температурата надвиши 60°C или спадне под 0°C. Когато температурата се върне в нормално състояние в рамките на 90 минути, батерията ще възобнови работа автоматично. В противен случай, батерията ще се изключи, повторно вкарване на щепсела в зарядното ще активира отново зареждането.
- Акумулаторната батерия също ще се изключи с изключени всички 5 светодиода, когато напрежението на клетката на батерията надвиши нейното защитно напрежение. Препоръчва се незабавно да разредите акумулаторната батерия. Ако този проблем се повтори многократно, моля свържете се със сервизните центрове на EGO .

- В случай на разреждане, когато температурата на акумулаторната батерия надвиши 70°C или спадне под -20°C, акумулаторната батерия ще се изключи ос всичките 5 светодиода светещи в червено за 10 сек след натискането на бутон. Акумулаторната батерия ще се върне към работа и при двете състояния, когато се възстанови нормалната температура и ще позволи рестартиране на електроинструмента.
- Когато напрежението в клетките на батерията е по-малко от 2,7V, акумулаторната батерия ще се изключи с 5 мигащи червени светодиода за 10 секунди след натискане на бутон. Препоръчва се да спрете работа и да заредите незабавно акумулаторната батерия. Ако този съвет се повтори незабавно свържете се със сервизен техник за помощ.

⚠ ПРЕДУПРЕЖДЕНИЕ: Не трябва да нагрявате акумулаторната батерия при никакви обстоятелства.

ЗАРЕДЕТЕ АКУМУЛАТОРНАТА БАТЕРИЯ

Акумулаторните батерии се доставят частично заредени. Преди да я използвате за първи път батерията трябва да бъде заредена.

⚠ ПРЕДУПРЕЖДЕНИЕ: Не зареждайте акумулаторната батерия на открито или не го излагайте на мокри или влажни условия. Навлизането на вода в зарядното устройство или акумулаторната батерия ще увеличи риска от електрически шок. За всякакви допълнителни детайли, моля вижте ръководството на оператора за зарядно устройство EGO CHX5500E.

1. Свържете зарядното устройство към електрозахранването (220-240V~50Hz).
2. Поставете щепсела на акумулаторната батерия към зарядното.
3. Когато акумулаторната батерия се зарежда нормално ще светне зеления светодиод (LED1) на зарядното. След натискане на зеления бутон поне за 1 сек., нормалното зареждане (ток на зареждане 4A) ще се трансформира в бързо зареждане (ток на зареждане 8A) и зеленият светодиод LED2 на зарядното ще светне, като LED1 се изключи.
4. 5-те светодиода на акумулаторната батерия светещи зелено продължително означава, че батерията е напълно заредена. Изчакайте докато охлаждащият вентилатор на зарядното спре, отстранете батерията от зарядното и разединете зарядното от електрическата мрежа.

БЕЛЕЖКА:

- Акумулаторната батерия ще се зареди напълно, ако се остави на зарядното устройство, но няма да се презареди.
- Следвайте инструкциите в Ръководството на оператора за зарядно устройство EGO CHX5500E за повече детайли
- Значително намалено време на работа след пълно зареждане на акумулаторната батерия показва, че батериите са близо до края на експлоатационния си живот и трябва да се подменят.
- Ако не сте вкарали напълно щепсела на неговото място, светодиодът на зарядното ще мига продължително.
- Зарядното устройство може да се затопля по време на зареждане. Това е част от нормалната работа на зарядното устройство. Зареждайте в добре проветрено място.

USB/12V DC

Отворете гумените капаци и поставете USB/DC щепсела в USB/DC буксите (фиг. C & D). След това натиснете бутона за превключване на USB/DC, акумулаторната батерия ще захрани устройствата свързани към нея през USB или DC буксите.

C-1	Гумени капаци	D-2	12V DC порт
D-1	USB порт	D-3	USB/DC превключвател

БЕЛЕЖКА:

- Функциите на USB и на 12V DC захранването, могат да работят едновременно с източник на захранване 56V. След използването на USB/12V DC, издърпайте щекерите на USB/DC и поставете гумените капаци на местата им.
- Не трябва да използвате USB/12V DC, докато акумулаторната батерия се зарежда.

СВЪРЗВАНЕ И РАЗЕДИНЯВАНЕ НА СБРУЯТА КЪМ / ОТ АКУМУЛАТОРНАТА БАТЕРИЯ

За да свържете

Подравнете четирите изходни части на рамката с монтажните канали и свържете фиксиращия прорез на ремъка с фиксиращата пружина на ремъка. След това плъзнете сбруята, докато се чуе щракване. (фиг. E).

E-1	Монтажен жлеб	E-3	Ребро за позициониране на колана
E-2	Ребро за позициониране на рамката		

За да разедините

Натиснете двата бутона за освобождаване на сбруята зад рамката и плъзнете сбруята навън (фиг. F).

ПОСТАВЯНЕ НА АКУМУЛАТОРНАТА БАТЕРИЯ

При нормална работа акумулаторната батерия със сбруята се носи на гърба. За да се предотврати умора и за комфортна работа, сбруята е оборудвана със съединение за надбедрения колан и съединение на ремъците за раменете, което гарантира свобода на движенията.

Дължината на надбедрения колан и ремъците за раменете, може да се регулира свободно. Подложката за гърба трябва да бъде поставена здраво и сигурно на вашия гръб.

- Регулирайте дължината на колана и ремъците за раменете за да се чувствате удобно преди нормална работа, като използвате съединенията на надбедрения колан и ремъците за раменете. Дължината трябва да съответства на размера на вашето тяло.
- Вкарайте двете части от катарамите за колана и гръдния ремък една в друга, докато се чуе щракане (фиг. G и H).
- Регулирайте височината на катарамата за гърдите за да се чувствате удобно (фиг. I).
- Регулирайте отново дължината на ремъците на колана и гърдите.
- Вкарайте остатъчната дължина от ремъците около кръста и гърдите в ластичите (фиг. J).

ЗА ПРИКРЕПВАНЕ И СНЕМАНЕ НА АКУМУЛАТОРНАТА БАТЕРИЯ

Зареждане преди първата употреба

Отведете кабела на акумулаторната батерия от страни на тялото и свържете електрическия инструмент към 1,5 метровия свързващ кабел. Следвайте инструкциите на ръководството на електрическия инструмент за повече детайли.

При монтиране (Фиг. K)

При подравнено ▲ лого съответно на щепсела и на електрическия инструмент, вкарайте щепсела в електрическия инструмент, докато зеленото уплътнение се скрие напълно в цокъла.

За да извадите

Издърпайте щепсела от електрическите инструменти.

▲ ПРЕДУПРЕЖДЕНИЕ: При настъпване на аварийна ситуация, незабавно свалете акумулаторната раница от раменете си. Освобождаването на катарамите за колана и гърдите и след това сваляне на раменната сбруя от всяка страна е бърз метод за освобождаване.

▲ ПРЕДУПРЕЖДЕНИЕ: Не затягайте прекалено ремъците за раменете, тъй като това може да направи трудно свалянето на акумулаторната батерия.

▲ ПРЕДУПРЕЖДЕНИЕ: Само определени продукти на EGO могат да са съвместими с акумулаторната батерия, те са изброени в "СПЕЦИФИКАЦИИ". Ние препоръчваме да не използвате акумулаторната батерия с други електрически инструменти.

ПОДДРЪЖКА

▲ ПРЕДУПРЕЖДЕНИЕ: Акумулаторната батерия трябва да бъде ремонтирана или подменена от квалифициран сервизен център и техници на EGO.

▲ ПРЕДУПРЕЖДЕНИЕ: За да избегнете нараняване, винаги сменяйте акумулаторната батерия от инструмента, когато сменяте аксесоари, почиствате или извършвате поддръжка.

▲ ПРЕДУПРЕЖДЕНИЕ: Когато обслужвате, използвайте само идентични резервни части. Употребата на каквито и да е други части може да създаде опасност или да предизвика повреда на продукта.

▲ ПРЕДУПРЕЖДЕНИЕ: Ако почистването със състен въздух е единственият метод за прилагане, винаги носете предпазни очила със странични екрани. Ако работата е прашна, също така носете прахозащитна маска.

ОБЩА ПОДДРЪЖКА

Избягвайте употребата на разтворители, когато почиствате пластмасовите части. Повечето пластмасови части са уязвими на повреда от различни видове разтворители в търговската мрежа и може да се повредят от тяхната употреба. Използвайте чист плат, за премахване на мръсотия, прах, масло и т.н.

⚠ ПРЕДУПРЕЖДЕНИЕ: Никога не позволявайте спирална течност, бензин, петролни продукти, проникващи масла и т.н. да влизат в контакт с пластмасовите части. Химикалите могат да повредят, отслабят или разрушат пластмасата, което може да доведе до сериозно нараняване.

АКУМУЛАТОРНИ БАТЕРИИ

На разглобявайте акумулаторната батерия или не предприемайте подмяна на клетките в нея. Боравенето с батериите, особено когато носите пръстени и бижута може да доведе до сериозно изгаряне. За да получите възможно най-дългия живот на батерията, прочетете и осъзнайте ръководството на оператора.

⚠ ПРЕДУПРЕЖДЕНИЕ: Добра практика е да изключите от контакта зарядното устройство и да снемете акумулаторна батерия, когато не се използва.

СЕМАНЕ НА АКУМУЛАТОРНАТА БАТЕРИЯ И ПОДГОТОВКА ЗА РЕЦИКЛИРАНЕ



Li-ion

Не изхвърляйте зарядно устройство за акумулаторни батерии и батерии/ акумулаторни батерии в домакинския отпадък. Съгласно европейския закон 2012/19/EU, електрическо и електронно оборудване, което повече не може да се използва и съгласно европейското законодателство 2006/66/ЕС, дефектните или използваните акумулаторни батерии/ батерии трябва да се събират отделно и да се изхвърлят по подходящ за околната среда начин.

Обърнете се към местния орган по отпадъците за информация относно наличните възможности за рециклиране и/или изхвърляне

⚠ ПРЕДУПРЕЖДЕНИЕ: Преди снемане на акумулаторната батерия за изхвърляне или рециклиране, покрийте клемите на акумулаторната батерия с адхезивна лента за високо напрежение. Не предприемайте разрушаване или разглобяване на акумулаторната батерия или не премахвайте каквито и да е от нейните компоненти. Литиево-йонните акумулаторни батерии трябва да се рециклират или изхвърлят по подходящ начин. Също така, никога не докосвайте клемите с метални обекти и/или частите на тялото, защото може да възникне късо съединение. Дръжте настрана от деца. Неспазването на предупреждения може да доведе до пожар и/или сериозно нараняване.

ОТСТРАНЯВАНЕ НА ПРОБЛЕМИ

ПРОБЛЕМ	ПРИЧИНА	РЕШЕНИЕ
Електрическият инструмент не работи	<ul style="list-style-type: none"> ■ Няма електрически контакт между електрическия инструмент и батерията. ■ Акумулаторната батерия е изтощена. ■ Акумулаторната батерия или електрическият инструмент са твърде горещи. ■ Кабелът или щепселът не работят. ■ Напрежението на клетката на батерията е под 2,7V. 	<ul style="list-style-type: none"> ■ Закрепете акумулаторната батерия към електрическия инструмент. ■ Сменете акумулаторната батерия. ■ Охладете акумулаторната батерия или захранващата глава, докато температурата спадне до нормални стойности. ■ Свържете се със сервизните центрове на EGO. ■ Заредете незабавно акумулаторната батерия.
Акумулаторната батерия не може да бъде заредена	<ul style="list-style-type: none"> ■ Температурата на батерията е надвишила или е спаднала под определената стойност. ■ Няма електрически контакт между батерията и зарядното. ■ Връзката между зарядното и източника на захранване е повредена. 	<ul style="list-style-type: none"> ■ Спрете зареждането или разреждането, докато температурата стане нормална. ■ Вкарайте отново акумулаторната батерия към зарядното. ■ Извадете и поставете отново щепсела на зарядното към източника на захранването.

ГАРАНЦИЯ

ГАРАНЦИОННА ПОЛИТИКА EGO

Моля посетете уебсайта egopowerplus.com за пълните условия по гаранционната политика на EGO.

PROČITAJTE KORISNIČKI PRIRUČNIK (BATERIJA)



PROČITAJTE SVE UPUTE!

⚠ Preostale opasnosti! Osobe s elektroničkim uređajima poput srčanih elektrostimulatora prije korištenja ovog proizvoda trebaju se posavjetovati sa svojim liječnikom. Rad električne opreme u neposrednoj blizini srčanih elektrostimulatora može prouzročiti smetnju ili kvar srčanog elektrostimulatora.

⚠ UPOZORENJE: Zbog sigurnosti i pouzdanosti, sve popravke treba obavljati kvalificirani servisni tehničar.

SIGURNOSNI SIMBOLI

Svrha sigurnosnih simbola je skretanje pozornosti na moguće opasnosti. Sigurnosni simboli i njihova objašnjenja zahtijevaju vašu potpunu pozornost i razumijevanje. Sami simboli upozorenja ne isključuju opasnost. Upute i upozorenja koja pružaju nisu zamjena za propisne mjere za prevenciju nesreća.

⚠ UPOZORENJE! Prije korištenja ovog alata pobrinite se da sve upute u ovom korisničkom priručniku, uključujući sve sigurnosne simbole kao što su "**OPASNOST**", "**UPOZORENJE**" i "**OPREZ**" pročitate s razumijevanjem. Zanemarivanje svih uputa navedenih u nastavku može rezultirati strujnim udarom, požarom i/ili teškim tjelesnim ozljedama.

⚠ UPOZORENJE: Opasnost od požara i opekline. Nemojte rastavljati, zagrijavati na temperature iznad 100 °C ili spaljivati. Baterijski modul držite izvan dohvata djece i u originalnom pakiranju dok ne bude spreman za uporabu. Iskorišteni baterijski modul odmah odložite u skladu s lokalnim propisima o recikliranju ili zbrinjavanju otpada.

SIGURNOSNE NAPOMENE

Na ovoj stranici slikovno su prikazani i objašnjeni sigurnosni simboli koji se mogu pojaviti na ovom proizvodu. Prije pokušaja sastavljanja i rukovanja s razumijevanjem pročitajte sve upute na stroju i pridržavajte ih se.

	Sigurnosno upozorenje	Označava moguću opasnost od tjelesne ozljede.
	Pročitajte korisnički priručnik.	Radi smanjenja opasnosti od ozljeda prije korištenja ovog proizvoda korisnik treba s razumijevanjem pročitati ovaj korisnički priručnik.
	Simboli reciklaže	Komplete baterija/ baterije ne odlažite u otpad iz kućanstva, vatru ili vodu. Komplete baterija/baterije potrebno je sakupiti, reciklirati ili zbrinuti na ekološki prihvatljiv način.
	CE	Ovaj proizvod je u sukladnosti s važećim direktivama EZ.
	WEEE	Otpadni električni materijal ne smije se baciti u obični kućni otpad. Predajte ga ovlaštenoj službi za recikliranje.
V	Volt	Napon
A	Amperi	Struja
W	Vat	Snaga
min	Minuta	Vrijeme
	Istosmjerna struja	Vrsta ili karakteristike struje

⚠ UPOZORENJE: S razumijevanjem pročitajte sve upute. Zanemarivanje uputa može rezultirati električnim udarom, požarom i/ili teškim tjelesnim ozljedama. Pojam „električni alat“ u svim navedenim upozorenjima odnosi se na strojeve za travnjake i vrt na baterijski (bežični) pogon proizvođača EGO.

SIGURNOST RADNOG PODRUČJA

- Radno područje održavajte čistim i dobro osvijetljenim. Pretrpana ili mračna područja izazivaju nesreće.
- Električnim alatom ne rukujte u eksplozivnim okruženjima, primjerice u prisutnosti zapaljivih tekućina, plinova ili prašine. Električni alat stvara iskre koje mogu zapaliti prašinu ili isparenja.

ELEKTRIČNA SIGURNOST

- Električni alat ne izlažite kiši ili mokrim uvjetima. Prodiranje vode u električni alat povećat će rizik od strujnog udara.
- Koristite samo s punjačima i električnim alatima koji su navedeni u odjeljku „TEHNIČKI PODACI“.

KORIŠTENJE I NJEGA BATERIJSKOG MODULA

- Kada se komplet baterija ne koristi, držite ga podalje od drugih metalnih predmeta poput spajalica za papir, kovanica, ključeva, čavala, vijaka ili drugih malih metalnih predmeta koji mogu međusobno spojiti kontakte. Kratko spajanje baterijskih kontakata može prouzročiti opekline ili požar.
- U slučaju pogrešne uporabe, baterija može izbaciti tekućinu; izbjegavajte kontakt. Ako slučajno dođe do doticaja, odnosno mjesta isperite vodom. Ako tekućina dođe u doticaj s očima, dodatno potražite pomoć liječnika. Tekućina koju izbacila baterija može prouzročiti nadražaj kože ili opekline.
- Ne rastavljajte, ne otvarajte i ne komadajte akumulatorsku bateriju.
- Ne izlažite bateriju toplini ili vatri. Izbjegavajte skladištenje na izravnoj sunčevoj svjetlosti.
- Ne spajajte kratko ćeliju ili bateriju. Ćelije ili baterije nemojte neoprezno pohraniti u ormarić ili ladicu gdje postoji mogućnost međusobnog kratkog spoja ili kratkog spoja s drugim metalnim predmetima.
- Ne bateriju iz originalnog pakiranja dok ne bude potrebna za uporabu.
- Ne izlažite ćelije ili baterije mehaničkim udarima.
- Bateriju držite izvan dohvata djece. U slučaju gutanja baterije odmah potražite savjet liječnika.
- Bateriju održavajte čistom i suhom.
- Ako se kontakti baterije zaprljaju, obrišite ih čistom suhom krpom.
- Sekundarnu bateriju treba napuniti prije uporabe. Uvijek koristite propisani punjač, a upute za propisno punjenje potražite u uputama proizvođača ili u priručniku opreme.
- Kada je ne koristite, bateriju ne ostavljajte da se puni dulje vrijeme.

- Nakon dužeg razdoblja pohrane možda će biti potrebno napuniti i isprazniti bateriju nekoliko puta radi postizanja maksimalnog radnog kapaciteta.
- Zadržite originalnu dokumentaciju proizvoda za buduće potrebe.
- Bateriju koristite samo za primjenu za koju je predviđena.
- Bateriju po mogućnosti izvadite iz opreme kada je ne koristite.
- Bateriju zbrinite propisno.

SERVISIRANJE

- Pridržavajte se uputa u poglavlju Održavanje ovog priručnika. Korištenje neodobrenih dijelova ili zanemarivanje uputa u poglavlju Održavanje može rezultirati rizikom od strujnog udara ili ozljeda.

POSEBNI SIGURNOSNI PROPISI

- Upoznajte svoj električni alat. Pozorno pročitajte korisnički priručnik. Upoznajte se s primjenama i ograničenjima alata, kao i specifičnim potencijalnim opasnostima koje se odnose na ovaj alat. Pridržavanje ovog propisa smanjit će rizik od strujnog udara, požara ili teških ozljeda.
- Baterijske alate nije potrebno uključivati u električnu utičnicu, stoga su uvijek u radnom stanju. Pazite na moguće opasnosti kada ne koristite baterijski alat. Bateriju uvijek izvadite prije promjene pribora. Pridržavanje ovog propisa smanjit će rizik od strujnog udara, požara ili teških tjelesnih ozljeda.
- Baterijski modul nemojte drobiti, bacati ili oštećivati. Ne koristite baterijski modul ili punjač koji su pali ili su jako udareni. Oštećena baterija može eksplodirati. Bateriju koja je pretrpjela pad ili je oštećena, odmah propisno zbrinite.
- Bateriju nemojte puniti na vlažnom ili mokrom mjestu. Pridržavanje ovog propisa smanjit će rizik od strujnog udara.
- Za najbolje rezultate bateriju je potrebno puniti na mjestu gdje je temperatura viša od 0 °C i niža od 40 °C. Bateriju ne skladištite napolju ili u vozilu.
- Ne dopustite da benzin, ulja, proizvodi na bazi nafte i sl., dođu u doticaj s plastičnim dijelovima. Ove tvari sadrže kemikalije koje mogu oštetiti, oslabiti ili uništiti plastiku.
- Servisiranje kompleta baterija prepustite kvalificiranom osoblju za popravak koje koristi samo identične zamjenske dijelove. Time će se osigurati održavanje sigurnosti kompleta baterija.
- Sačuvajte ove upute. Koristite upute često i koristite ih za upućivanje drugih osoba koje mogu koristiti ovaj alat. Ako ovaj alat nekom posudite, posudite i ove upute radi sprečavanja neispravnog korištenja proizvoda i mogućih ozljeda.

TEHNIČKI PODACI

Nazivni napon	56 V
Maksimalni kapacitet	1568Wh
Odgovarajući punjač	CHX5500E
Struja punjenja	Brzo punjenje: 8A Normalno punjenje: 4A
Vrijeme punjenja	Brzo punjenje: Približno 3,5sati Normalno punjenje: Približno 7sati
Odgovarajući električni alat	LBX6000, HTX6500, BCX3800
Težina	8,7kg
Propisani raspon temperatura u okolini za pražnjenje	-20°C ~ 40°C

OPIS

UPOZNAJTE BATERIJSKI MODUL (sl. A)

1. Kabel
2. Drška
3. USB priključak

4. USB/DC sklopka
5. Priključak za 12V DC
6. Indikator napajanja i gumb za uključivanje
7. Opruga za učvršćenje naramenice
8. Opruga za učvršćenje trake remena
9. Servisni poklopac osigurača
10. Traka za rame
11. Okvir
12. Mokro
13. Remen
14. Uprtač (prodaje se posebno)
15. Zaštitni pojas (prodaje se zasebno)

RAD

INDIKATOR NAPAJANJA NA BATERIJSKOM MODULU

Ova litij-ionska baterija s naprtnjačom opremljena je indikatorom napajanja koji prikazuje razinu kapaciteta napunjenosti i grešku baterijskog modula. Pritisnite indikator napajanja kako bi se prikazala razina kapaciteta kada se baterija ne puni. LED svjetlosni indikator svijetlit će 10 sekundi.

- Za vrijeme punjenja, LED indikator može prikazivati različita sučelja navedena u nastavku i to bez pritiska gumba za uključivanje.

Kapacitet baterije/greška	PUNJENJE					Primjedbe
	LED svjetla					
	1	2	3	4	5	
<20%	Trepće zeleno	Isključeno	Isključeno	Isključeno	Isključeno	1 trepće
20% ≤ Kapacitet < 40%	Uključeno	Trepće zeleno	Isključeno	Isključeno	Isključeno	1 uključeno, 1 trepće
40% ≤ Kapacitet < 60%	Uključeno	Uključeno	Trepće zeleno	Isključeno	Isključeno	2 uključena, 1 trepće
60% ≤ Kapacitet < 80%	Uključeno	Uključeno	Uključeno	Trepće zeleno	Isključeno	3 uključena, 1 trepće
80% ≤ Kapacitet < 100%	Uključeno	Uključeno	Uključeno	Uključeno	Trepće zeleno	4 uključena, 1 trepće
Kapacitet = 100% (do kraja napunjeno)	Uključeno	Uključeno	Uključeno	Uključeno	Uključeno	5 svijetle nekoliko minuta, zatim se isključuju
Baterija se ne može puniti	Isključeno	Isključeno	Isključeno	Isključeno	Isključeno	5 LED svjetala će svijetliti
Visoka temperatura baterije	Isključeno	Isključeno	Isključeno	Isključeno	Isključeno	5 LED svjetala će svijetliti

Ako se baterija s naprtnjačom prazni ili se ne koristi, **PRITISNITE GUMB ZA UKLJUČIVANJE**, LED indikator će prikazati sučelje drukčije od onog za punjenje, kao što je prikazano u nastavku .

PRAŽNENJE/NEKORIŠTENJE						
Kapacitet baterije/greška	LED svjetla					Primjedbe
	1	2	3	4	5	
80% < Kapacitet ≤ 100%	Uključeno	Uključeno	Uključeno	Uključeno	Uključeno	5 LED svjetala svijetlit će 10 sekundi nakon pritiska gumba
60% < Kapacitet ≤ 80%	Uključeno	Uključeno	Uključeno	Uključeno	Isključeno	4 LED svjetla svijetlit će 10 sekundi nakon pritiska gumba
40% < Kapacitet ≤ 60%	Uključeno	Uključeno	Uključeno	Isključeno	Isključeno	3 LED svjetla svijetlit će 10 sekundi nakon pritiska gumba
20% < Kapacitet ≤ 40%	Uključeno	Uključeno	Isključeno	Isključeno	Isključeno	2 LED svjetla svijetlit će 10 sekundi nakon pritiska gumba
10% < Kapacitet ≤ 20%	Uključeno	Isključeno	Isključeno	Isključeno	Isključeno	1 LED svjetlo svijetlit će 10 sekundi nakon pritiska gumba
≤10%	Trepće zeleno	Isključeno	Isključeno	Isključeno	Isključeno	1 LED svjetlo treptat će 10 sekundi nakon pritiska gumba
Prenizak napon (<2,7V)	Trepće crveno	Trepće crveno	Trepće crveno	Trepće crveno	Trepće crveno	5 crvenih svjetala treptat će 10 sekundi nakon pritiska gumba
Visoka temperatura baterije	Svijetli crveno	Svijetli crveno	Svijetli crveno	Svijetli crveno	Svijetli crveno	5 crvenih svjetala svijetlit će 10 sekundi nakon pritiska gumba

ZAŠTITA BATERIJE

Strujni krug baterije štiti baterijski modul od ekstremnih temperatura, prekomjernog pražnjenja i punjenja. Radi zaštite baterije od oštećenja i produljenja njezinog životnog vijeka, strujni krug baterijskog modula isključit će baterijski modul u slučaju preopterećenja ili previsoke temperature tijekom uporabe. To se može dogoditi u slučaju ekstremno visokog okretnog momenta, zakočenosti i zastoja.

- Tijekom punjenja, baterijski modul će se isključiti zajedno sa svih 5 LED svjetala kada temperatura prijeđe 60 °C ili se spusti ispod 0 °C. Kada se temperatura vrati na normalnu vrijednost nakon 90 minuta, baterija će se automatski vratiti u radno stanje. U suprotnom će se baterija isključiti; vratite utikač u punjač kako biste ponovno aktivirali punjenje.
- Baterijski modul će se isključiti i kada je svih 5 LED svjetala isključeno u slučaju da napon baterijske ćelije nadmaši vrijednost zaštitnog napona. Preporučuje se da odmah ispraznite baterijski modul. Ako se problem ponovi više puta, obratite se EGO servisnom centru.

- U slučaju pražnjenja, kada temperatura baterijskog modula prijeđe 70 °C ili padne ispod -20 °C, baterijski modul će se isključiti, a 5 LED svjetala će svijetliti crveno 10 s nakon pritiska gumba. Baterijski modul će se vratiti u radno stanje u oba slučaja kada se uspostavi normalna temperatura i omogućit će se ponovno pokretanje električnog alata.
- Ako je napon baterijske ćelije manji od 2,7 V, baterijski modul će se isključiti, a 5 LED svjetla će treptati crveno 10 s nakon pritiska gumba. Preporučujemo da obustavite rad i odmah napunite baterijski modul. Ako se to više puta ponovi, potražite pomoć od servisnog tehničara.

⚠ UPOZORENJE: Ni pod kojim okolnostima ne smijete zagrijavati baterijski modul.

PUNJENJE BATERIJSKOG MODULA

Baterijski modul isporučuje se djelomično napunjen. Napunite bateriju prije njezinoga prvog korištenja.

⚠ UPOZORENJE: Baterijski modul nemojte puniti na otvorenom i ne izlažite ga mokrim ili vlažnim uvjetima. Prodiranje vode u punjač ili baterijski modul povećat će rizik od električnog udara. Dodatne pojedinosti pronaći ćete u korisničkom priručniku punjača EGO CHX5500E.

1. Punjač priključite na električno napajanje (220-240 V~50 Hz).
2. Ukopčajte utikač baterije u punjač.
3. Kada se baterijski modul normalno puni, treptat će zeleni LED indikator br. 1 na punjaču. Ako zeleni gumb držite pritisnutim najmanje 1 sekundu, normalno punjenje (struja punjenja 4A) postat će brzo punjenje (struja punjenja 8A), treptat će zeleno LED2 svjetlo na punjaču, dok će LED1 biti isključeno.
4. Kada 5 LED svjetala na baterijskom modulu neprekidno svijetli zeleno, baterijski modul do kraja je napunjen. Pričekajte da se zaustavi rashladni ventilator, izvadite baterijski modul iz punjača i odspojite ga od električnog napajanja.

OBAVIJEST:

- Baterijski modul potpuno će se napuniti ako ga ostavite u punjaču, ali se neće prepuniti.
- Više pojedinosti potražite u uputama u korisničkom priručniku za punjač EGO CHX5500E.
- Značajno smanjeno vrijeme rada nakon potpunog punjenja baterijskog modula ukazuje na skori kraj njegovoga radnog vijeka i potrebu njegove zamjene.
- Ako utikač niste gurnuli do kraja, LED punjača će neprekidno treptati.
- Tijekom punjenja punjač se može zagrijati. To je sastavni dio normalnog rada punjača. Postupak punjenja obavljajte u dobro prozračenom prostoru.

USB/12V DC

Podignite gumene poklopce i umetnite USB/DC utikače u odgovarajuće priključke (sl. C i D). Zatim pritisnite gumb USB/DC sklopke, baterijski modul će početi napajati spojene uređaje putem USB i DC priključaka.

C-1	Gumeni poklopci	D-2	Priključak za 12V DC
D-1	USB priključak	D-3	USB/DC sklopka

OBAVIJEST:

- Funkcije USB i 12V DC napajanja mogu raditi i s istovremenim izvorom napajanja od 56 V. Po završetku korištenja USB/12V DC napajanja, izvucite USB/DC utikače i vratite gumene poklopce na svoja mjesta.
- Nemojte koristiti USB/12V DC za vrijeme punjenja baterijskog modula.

PRIČVRŠČIVANJE I UPRTAČA NA BATERIJSKI MODUL I ODVAJANJE OD NJEGA

Pričvrščivanje

Poravnajte četiri vanjska dijela okvira s montažnim utorima i spojite lokacijsku izbočinu na remenu s oprugom za učvrščenje remena. Zatim vucite uprtač prema gore dok se ne začuje klik. (sl. E).

E-1	Montažni žlijeb	E-3	Lokacijska izbočina remena
E-2	Lokacijska izbočina okvira		

Odvajanje

Pritisnite dva gumba za oslobađanje na pojasu iza okvira i izvucite pojas (sl. F).

STAVLJANJE BATERIJSKOG MODULA NA LEĐA

U normalnom radu, baterijski modul nosi se na leđima s pojasom. Kako se ne biste umarali i za što ugodniji rad, pojas je opremljen spojem sigurnosnog remena i spojevima naramenice, koji omogućavaju slobodu pri kretanju.

Duljina sigurnosnog remena i naramenica mogu se slobodno prilagoditi. Stražnji jastuk mora čvrsto i sigurno pristajati uz leđa.

- Prilagodite duljinu remena i naramenice prije normalnog rada kako biste se osjećali ugodno, duljina remena i naramenica priključenih u odgovarajuće spojeve treba biti prilagođena veličini vašeg tijela.
- Gurajte dva dijela kopče remena i prsne kopče jedan u drugi dok ne čujete odgovarajući klik (sl. G i H).
- Prilagodite visinu prsne kopče kako biste se osjećali ugodno (sl. I).
- Prilagodite duljinu trake remena i remena za prsa.
- Višak remena omotajte oko remena za struk i prsa u elastični dio (Sl. J).

PRIČVRŠČIVANJE I SKIDANJE KOMPLETA BATERIJA

Punjenje prije prve uporabe

Provedite kabel baterijskog modula oko bočnog dijela trupa i spojite električni alat u priključni kabel duljine 1,5 m. Slijedite upute u priručniku električnog alata.

Ugradnja (sl. K)

Kada se poravnaju logotipovi ▲ na utikaču i električnom alatu, gurajte utikač u električni alat sve dok zelena brtva potpuno ne nestane u utičnici.

Uklanjanje

Izvučite utikač iz električnog alata.

⚠ UPOZORENJE: U slučaju nužde, odmah skinite baterijski modul s ramena. Brzi način skidanja: otpustite kopču remena na prsima, zatim skinite naramenice.

⚠ UPOZORENJE: Nemojte prejako stegnuti naramenice jer biste mogli imati problema pri skidanju baterijskog modula.

⚠ UPOZORENJE: Samo neki EGO proizvodi kompatibilni su s baterijskim modulom, a oni su navedeni u odjeljku „TEHNIČKI PODACI“. Preporučujemo da ne koristite baterijski modul na drugim električnim alatima.

ODRŽAVANJE

⚠ UPOZORENJE: Baterijski modul smije popraviti ili zamijeniti EGO ovlaštenu servisnu centar ili njihov tehničar.

⚠ UPOZORENJE! Radi izbjegavanja teških tjelesnih ozljeda, pri zamjeni pribora, čišćenju, obavljanju podešavanja komplet baterija uvijek izvadite iz alata.

⚠ UPOZORENJE! Pri servisiranju koristite samo identične zamjenske dijelove proizvođača EGO. Korištenje drugih dijelova može izazvati opasnost ili prouzročiti oštećenje proizvoda.

⚠ UPOZORENJE: Ako je čišćenje stlačenim zrakom jedina primjenjiva metoda, nosite zatvorene zaštitne naočale ili zaštitne naočale s bočnim štitnicima. Ako radite u prašnjavim uvjetima, nosite i masku za zaštitu od prašine.

OPĆE ODRŽAVANJE

Pri čišćenju plastičnih dijelova izbjegavajte koristiti otapala. Većina plastika podložne su oštećenju od različitih vrsta komercijalnih otapala i mogu se oštetiti u slučaju njihovog korištenja. Za uklanjanje nečistoće, prašine, ulja, masti i sl. koristite čiste krpe.

⚠ UPOZORENJE! Nemojte nikada dopustiti da kočione tekućine, benzin, proizvodi na bazi nafte, penetrirajuća ulja i sl., dođu u doticaj s plastičnim dijelovima. Kemikalije mogu oštetiti, oslabiti ili uništiti plastiku što može rezultirati teškim tjelesnim ozljedama.

BATERIJE

Ne rastavljajte baterijski modul i ne pokušavajte zamijeniti ćelije. Rukovanje baterijama, posebno kada nosite prstenje i nakit, može rezultirati teškim opeklinama. Radi što dužeg radnog vijeka baterije, s razumijevanjem pročitajte korisnički priručnik.

⚠ UPOZORENJE: Kada se ne koristi, dobro je odspojiti punjač i izvaditi baterijski modul.

UKLANJANJE KOMPLETA BATERIJA I PRIPREMA ZA RECIKLAŽU



Li-ion

Punjač baterije i baterije/akumulatorske baterije ne odlažite u otpad iz kućanstva! Prema Europskoj Direktivi 2012/19/EU o otpadnoj električnoj i elektroničkoj opremi i prema Europskoj Direktivi 2006/66/EZ, neispravni ili iskorišteni baterijski moduli/ baterije moraju se zasebno prikupljati i zbrinuti na ekološki prihvatljiv način.

Za informacije o dostupnim opcijama za reciklažu i/ili zbrinjavanje obratite se lokalnom tijelu za zbrinjavanje otpada.

⚠ UPOZORENJE: Nakon uklanjanja baterijskog modula radi recikliranja ili zbrinjavanja, kontakte baterijskog modula obložite postojećom ljepljivom trakom. Baterijski modul ne pokušavajte uništiti, rastaviti ili ukloniti bilo koji njegov dio. Litij-ionske baterije potrebno je propisno reciklirati ili zbrinuti. Kontakte ne dodirujte metalnim predmetima i/ili dijelovima tijela jer to može rezultirati kratkim spojem. Držite dalje od djece. Zanemarivanje ovih upozorenja može rezultirati požarom i/ili teškim ozljedama.

OTKLANJANJE SMETNJI

PROBLEM	UZROK	RJEŠENJE
Električni alat ne radi	<ul style="list-style-type: none">■ Nema električnog kontakta između električnog alata i baterije.■ Baterijski modul je ispražnjen.■ Baterijski modul ili električni alat je previše vruć.■ Kabel ili utikač nisu ispravni.■ Napon baterijske ćelije je 2,7 V.	<ul style="list-style-type: none">■ Pričvrstite baterijski modul na električni alat.■ Napunite baterijski modul.■ Hladite baterijski modul i električni alat dok se temperatura ne spusti na uobičajenu vrijednost.■ Obratite se najbližem EGO servisnom centru.■ Odmah napunite baterijski modul.
Nije moguće napuniti baterijski modul	<ul style="list-style-type: none">■ Temperatura baterije veća je ili manja od zadane vrijednosti.■ Nema električnog kontakta između baterije i punjača.■ Spoj između punjača i izvora napajanja nije ispravan.	<ul style="list-style-type: none">■ Obustavite punjenje ili pražnjenje dok temperatura ne dostigne normalnu vrijednost.■ Izvadite i opet vratite baterijski modul u punjač.■ Vratite utikač punjača u izvor napajanja.

JAMSTVO**JAMSTVENA POLITIKA PROIZVOĐAČA EGO**

Za cjelokupne uvjete jamstvene politike proizvođača EGO posjetite internetsku stranicu egopowerplus.com.