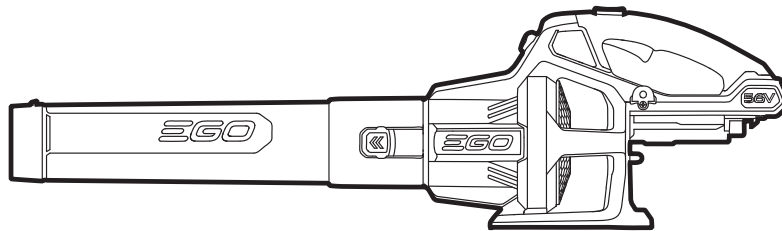


EGO™

POWER⁺ BLOWER

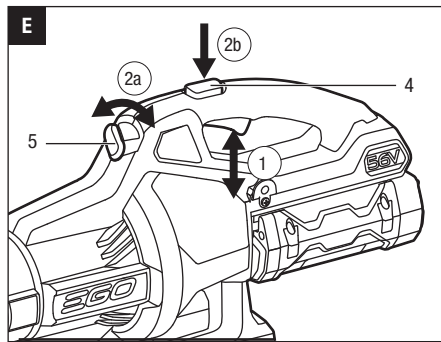
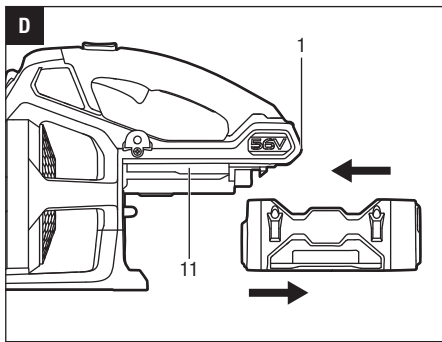
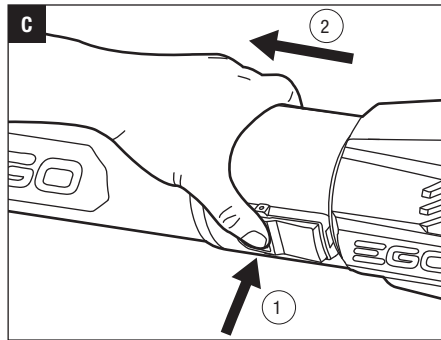
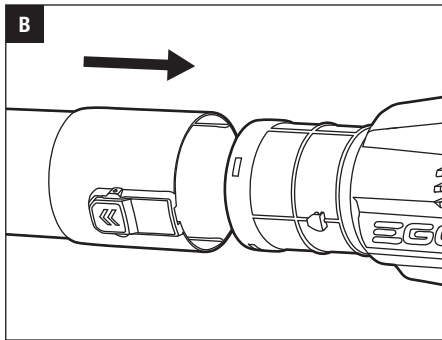
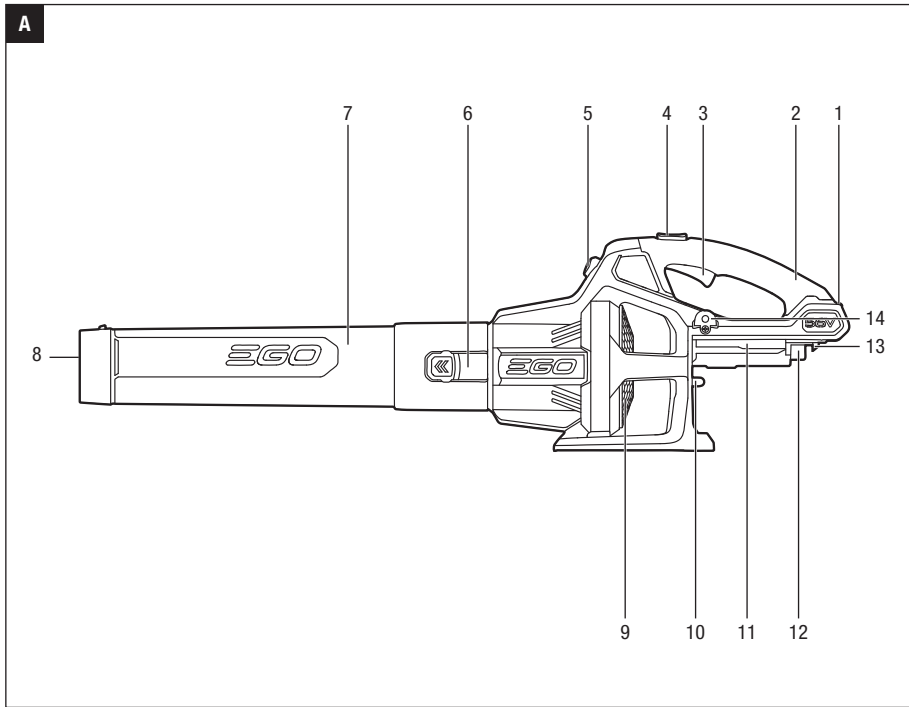


OPERATOR'S MANUAL

56 VOLT LITHIUM-ION CORDLESS BLOWER

MODEL NUMBER LB5300E

EN	56 Volt lithium-ion cordless blower	3	RU	Беспроводная воздуходувка с литий-ионным аккумулятором 56 в	109
DE	Akku-laubbläser (56-volt)	12	PL	Dmuchawa bezprzewodowa z baterią litowo-jonową 56 woltów	120
FR	Souffleur sans fil lithium-ion 56 v	22	CZ	56voltový lithium-iontový bezdrátové dmychadlo	130
ES	Soplador inalámbrico con acumulador de ion de litio de 56 v	32	SK	56 v lítium-iónové bezdrátové dmychadlo	141
PT	Soprador a bateria 56 volts de ião e lítio	45	LT	Belaidis pūtiklis 56 voltų ličio jonų akumuliatoriumi	151
IT	Soffiatore a batteria li-ion 56 volt	53	LV	56 voltu litija jonu bezvadu pūtējs	158
NL	56 volt lithium-ion accubladblazer	63	ET	56-voldise liitiumioonakuga akutoitel õhuluud	167
DK	56 volt lithium-ion ledningsfri løvblæser	73			
SE	56 Volts litium-jonbatteri sladdlös lövblås	82			
FI	56 Voltin litiumioniakulla akkupuhallin	91			
NO	56 volt lithium-ion løvblæser uten ledning	100			



READ ALL INSTRUCTIONS!



READ & UNDERSTAND INSTRUCTION MANUAL

NOTICE: These instructions shall also be available in an alternative format, e.g. on a website.

⚠ Residual risk! People with electronic devices, such as pacemakers, should consult their physician(s) before using this product. Operation of electrical equipment in close proximity to a heart pacemaker could cause interference or failure of the pacemaker.

⚠ WARNING: To ensure safety and reliability, all repairs and replacements should be performed by a qualified service technician.

SAFETY SYMBOLS

The purpose of safety symbols is to attract your attention to possible dangers. The safety symbols and the explanations with them deserve your careful attention and understanding. The symbol warnings do not, by themselves, eliminate any danger. The instructions and warnings they give are no substitutes for proper accident prevention measures.

⚠ WARNING: Be sure to read and understand all safety instructions in this Operator's Manual, including all safety alert symbols such as "DANGER," "WARNING," and "CAUTION" before using this tool. Failure to following all instructions listed below may result in electric shock, fire, and/or serious personal injury.

DAMAGE PREVENTION AND INFORMATION MESSAGES

These inform the user of important information and/or instructions that could lead to equipment or other property damage if they are not followed. Each message is preceded by the word "NOTICE", as in the example below:

NOTICE: Equipment and/or property damage may result if these instructions are not followed.



⚠ WARNING: The operation of any power tools can result in foreign objects being thrown into your eyes, which can result in severe eye damage. Before beginning power tool operation, always wear safety goggles or safety glasses with side shields and a full face shield when needed. We recommend a Wide Vision Safety Mask for use over eyeglasses or standard safety glasses with side shields.

SAFETY INSTRUCTIONS

This page depicts and describes safety symbols that may appear on this product. Read, understand, and follow all instructions on the machine before attempting to assemble and operate.

EN

	Safety Alert	Precautions that involve your safety.
	Wear Eye Protection	Always wear safety goggles or safety glasses with side shields and a full face shield when operating this product.
	Wear Ear Protection	Always wear ear protection when operating this product.
	Read Operator's Manual	To reduce the risk of injury, user must read and understand operator's manual before using this product.
	Keep Bystanders Away	Keep all bystanders at least 15m away.
	Class II Construction	Double-insulated Construction.
	Do Not Expose To Moisture	Do not use in the rain or leave outdoors while it is raining.
V	Volt	Voltage
A	Amperes	Current
Hz	Hertz	Frequency (cycles per second)
W	Watt	Power
min	Minutes	Time
m ³ /h	Cubic Meter Per Hour	Air volume
km/h	Kilometers Per Hour	Air velocity
	Alternating Current	Type of current
	Direct Current	Type or a characteristic of current
n ₀	No Load Speed	Rotational speed, at no load
... /min	Per Minute	Revolutions per minute

When using an electrical appliance, basic precautions should always be followed, including the following:



EN

GENERAL POWER TOOL SAFETY WARNINGS

⚠ WARNING: Read all safety warnings and instructions. Failure to follow the warnings and instructions may result in electric shock, fire and/or serious injury.

Save all warnings and instructions for future reference.

The term “power tool” in the warnings refers to your mains-operated (corded) power tool or battery-operated (cordless) power tool.

WORK AREA SAFETY

- **Keep work area clean and well lit.** Cluttered or dark areas invite accidents.
- **Do not operate power tools in explosive atmospheres, such as in the presence of flammable liquids, petrol or dust.** Power tools create sparks which may ignite the dust or fumes.
- **Keep children and bystanders away while operating a power tool.** Distractions can cause you to lose control.

ELECTRICAL SAFETY

- **Power tool plugs must match the outlet. Never modify the plug in any way. Do not use any adaptor plugs with earthed (grounded) power tools.** Unmodified plugs and matching outlets will reduce risk of electric shock
- **Avoid body contact with earthed or grounded surfaces, such as pipes, radiators, ranges and refrigerators.** There is an increased risk of electric shock if your body is earthed or grounded.
- **Do not expose power tools to rain or wet conditions.** Water entering a power tool will increase the risk of electric shock.
- **Do not abuse the cord. Never use the cord for carrying, pulling or unplugging the power tool. Keep cord away from heat, oil, sharp edges or moving parts.** Damaged or entangled cords increase the risk of electric shock.
- **When operating a power tool outdoors, use an extension cord suitable for outdoor use.** Use of a cord suitable for outdoor use reduces the risk of electric shock.
- **If operating a power tool in a damp location is unavoidable, use a Ground-fault circuit interrupter protected supply.** Use of GFCI reduces the risk of electric shock.

PERSONAL SAFETY

- **Stay alert, watch what you are doing and use common sense when operating a power tool. Do not use a power tool while you are tired or under the influence of drugs, alcohol, or medication.** A moment of inattention while operating power tools may result in serious personal injury.
- **Use personal protective equipment. Always wear eye protection.** Protective equipment such as dust mask, non-skid safety shoes, hard hat, or hearing protection used for appropriate conditions will reduce personal injuries.
- **Prevent unintentional starting. Ensure the switch is in the off-position before connecting to power source and/or battery pack, picking up or carrying the tool.** Carrying power tools with your finger on the switch or energizing power tools that have the switch on invites accidents.
- **Remove any adjusting key or wrench before turning the power tool on.** A wrench or a key left attached to a rotating part of the power tool may result in personal injury.
- **Do not overreach. Keep proper footing and balance at all times.** This enables better control of the power tool in unexpected situations.
- **Dress properly. Do not wear loose clothing or jewelry. Keep your hair, clothing and gloves away from moving parts.** Loose clothes, jewelry or long hair can be caught in moving parts.
- **If devices are provided for the connection of dust extraction and collection facilities, ensure these are connected and properly used.** Use of dust devices can reduce dust-related hazards.

POWER TOOL USE AND CARE

- **Do not force the power tool. Use the correct power tool for your application.** The correct power tool will do the job better and safer at the rate for which it was designed.
- **Do not use the power tool if the switch does not turn it on and off.** Any power tool that cannot be controlled with the switch is dangerous and must be repaired.
- **Disconnect the plug from the power source and/or the battery pack from the power tool before making any adjustments, changing accessories, or storing power tools.** Such preventive safety measures reduce the risk of starting the power tool accidentally.

- **Store idle power tools out of the reach of children and do not allow persons unfamiliar with the power tool or these instructions to operate the power tool.** Power tools are dangerous in the hands of untrained users.
- **Maintain power tools. Check for misalignment or binding of moving parts, breakage of parts and any other condition that may affect the power tool's operation. If damaged, have the power tool repaired before use.** Many accidents are caused by poorly maintained power tools.
- **Keep cutting tools sharp and clean.** Properly maintained cutting tools with sharp cutting edges are less likely to bind and are easier to control.
- **Use the power tool, accessories and tool bits etc. in accordance with these instructions, taking into account the working conditions and the work to be performed.** Use of the power tool for operations different from those intended could result in a hazardous situation.

BATTERY TOOL USE AND CARE

- **Recharge only with the charger specified by the manufacturer.** A charger that is suitable for one type of battery pack may create a risk of fire when used with another battery pack.
- **Use power tools only with specifically designated battery packs.** Use of any other battery packs may create a risk of injury and fire.
- **When battery pack is not in use, keep it away from other metal objects, like paper clips, coins, keys, nails, screws or other small metal objects that can make a connection from one terminal to another.** Shorting the battery terminals together may cause burns or a fire.
- **Under abusive conditions, liquid may be ejected from the battery; avoid contact. If contact accidentally occurs, flush with water. If liquid contacts eyes, additionally seek medical help.** Liquid ejected from the battery may cause irritation or burns.

SERVICE

- **Have your power tool serviced by a qualified repair person using only identical replacement parts.** This will ensure that the safety of the power tool is maintained.

READ ALL INSTRUCTIONS BEFORE USING THIS PRODUCT!

TRAINING

- **Read the instructions carefully.** Be familiar with the controls and the proper use of the appliance.
- **Never allow children, persons with reduced physical, sensory or mental capabilities or lack of experience and knowledge or people unfamiliar with these instructions to use the machine.**
- **Never allow people unfamiliar with these instructions to use the appliance.** Local regulations may restrict the age of the operator.
- **Never operate the appliance while people, especially children, or pets are nearby.**
- **The operator or user is responsible for accidents or hazards occurring to other people or their property.**

PREPARATION

- **While operating the appliance, always wear substantial footwear and long trousers.**
- **Do not wear loose clothing or jewellery that can be drawn into the air inlet.** Keep long hair away from the air inlets.
- **Wear protective goggles while operating.**
- **To prevent dust irritation the wearing of a face mask is recommended.**
- **Before using, check the batteries or battery packs for damage.** Do not use the appliance if the batteries or battery pack is damaged.
- **Never operate the appliance with defective guards or shields, or without safety devices, for example debris collector in place.**

OPERATION

- **Disconnect the batteries or battery packs:**
 1. Whenever you leave the machine;
 2. Before clearing a blockage;
 3. Before checking, cleaning or working on the appliance;
 4. If the appliance starts to vibrate abnormally.
- **Operate the appliance only in daylight or in good artificial light.**
- **Do not overreach and keep your balance at all times.**
- **Always be sure of your footing on slopes.**
- **Walk, never run.**
- **Keep all cooling air inlets clear of debris.**
- **Never blow debris in the direction of bystanders.**



EN

- Recommendation to operate the machine only at reasonable hours – not early in the morning or late at night when people might be disturbed.
- Recommendation to use rakes and brooms to loosen debris before blowing.
- Recommendation to slightly dampen surfaces in dusty conditions or use mister attachment.

⚠ WARNING: Danger of rotating parts!

- Use the full blower nozzle extension so the air stream can work close to the ground.
- Not to operate the machine near open windows, etc.

MAINTENANCE AND STORAGE

- Keep all nuts, bolts and screws tight to be sure the appliance is in safe working condition.
- Check the debris collector frequently for wear or deterioration.
- Replace worn or damaged parts.
- Use only genuine replacement parts and accessories
- Store the appliance only in a dry place.

⚠ WARNING: To ensure safety and reliability, all repairs should be performed by a qualified service technician.

⚠ WARNING: To reduce risk of fire, electric shock, or injury:
IMPORTANT
READ CAREFULLY BEFORE USE.
KEEP FOR FUTURE REFERENCE.

- Know your power blower. Read the instruction manual carefully. Learn the blower's applications and limitations, as well as the specific potential hazards related to this blower. Following this rule will reduce the risk of electric shock, fire, or serious injury.
- Don't expose the blower to rain or wet conditions. Water entering a blower will increase the risk of electric shock.
- Do not allow the blower to be used as a toy. Close attention is necessary when used by or near children.
- Use only as described in this manual. Use only manufacturer's recommended attachments.
- If the blower is not working as it should, has been dropped, damaged, left outdoors, or dropped into water, return it to a service center.
- Do not handle the charger, including charger plug, or charger terminals with wet hands.

- Do not put any object into any openings. Do not use with any opening blocked; keep openings free of dust, lint, hair, and anything that may reduce air flow.
- Keep hair, loose clothing, fingers, and all parts of body away from openings and moving parts. Loose clothes, jewelry, or long hair can be drawn into air vents.
- Secure long hair above shoulder level to prevent entanglement in moving parts.
- Use extra care when cleaning on stairs.
- Do not charge the battery pack outdoors.
- Use only the charger supplied by the manufacturer to recharge.
- Do not leave blower unattended when the battery is inserted. Remove the battery when the blower is not in use and before servicing.
- Do not operate blowers in explosive atmospheres, such as in the presence of flammable liquids, gases, or dust. Blowers create sparks which may ignite the dust or fumes.
- Use the battery operated blower only with specifically designated battery pack. Use of any other batteries may create a risk of fire.
- Use only with battery packs and chargers listed below.

BATTERY PACK	CHARGER
BA1120E, BA2240E, BA2800, BA3360, BA4200	CH5500E, CH2100E

⚠ WARNING:

- The battery pack must be removed from the appliance before it is scrapped.
- The battery shall be disposed of safely.
- Stay alert, watch what you are doing and use common sense when operating a power blower. Do not use the blower while tired, upset, or under the influence of drugs, alcohol, or medication. A moment of inattention while operating blowers may result in serious personal injury.
- Avoid accidental starting. Be sure that the switch is in the locked or off position before inserting the battery pack. Carrying blowers with your finger on the switch or inserting the battery pack into a blower with the switch on invites accidents.



EN

- **Use safety equipment. Always wear eye protection.** Dust mask, non-skid safety shoes, hard hat, or hearing protection must be used for appropriate conditions.
- **Do not use on a ladder, rooftop, tree, or other unstable support.** Stable footing on a solid surface enables better control of the blower in unexpected situations.
- Always take care of your feet, children, or pets around you when removing the battery pack from blower. **Serious injury could result if the battery pack falls. NEVER remove the battery pack when in a high position.**
- **Do not use the blower if switch does not turn it on or off.** A blower that cannot be controlled with the switch is dangerous and must be repaired.
- **Disconnect the battery pack from the blower before making any adjustments, changing accessories, or storing the blower.** Such preventive safety measures reduce the risk of starting the blower accidentally.
- **Turn off all controls before removing the battery.**
- **DO NOT** attempt to clear clogs from the unit without first removing the battery.
- **Check for misalignment or binding of moving parts, breakage of parts, and any other condition that may affect the blower's operation. If damaged, have the blower serviced before using.** Many accidents are caused by poorly maintained blowers.
- **Keep the blower and its handle dry, clean and free from oil and grease.** Always use a clean cloth when cleaning. Never use brake fluids, gasoline, petroleum-based products, or any strong solvents to clean your blower. Following this rule will reduce the risk of loss of control and deterioration of the enclosure plastic.
- **Always wear safety glasses with side shields.** Everyday glasses have only impact resistant lenses. They are NOT safety glasses. Following this rule will reduce the risk of eye injury.
- **Protect your lungs. Wear a face or dust mask if the operation is dusty.** Following this rule will reduce the risk of serious personal injury.
- **Protect your hearing. Wear hearing protection during extended periods of operation.** Following this rule will reduce the risk of serious personal injury.
- **Battery powered blowers do not have to be plugged into an electrical outlet; therefore, they are always in operating condition. Be aware of possible hazards when not using your battery powered blower or when changing accessories.** Following this rule will reduce the risk of electric shock, fire, or serious personal injury.
- **Wear heavy long trousers, long sleeves, boots, and gloves.** Avoid loose garments or jewelry that could get caught in moving parts of the machine or its motor.
- **Do not operate the equipment while barefoot or when wearing sandals or similar lightweight footwear.** Wear protective footwear that will protect your feet and improve your footing on slippery surfaces.
- **Batteries can explode in the presence of a source of ignition, such as a pilot light.** To reduce the risk of serious personal injury, never use any cordless product in the presence of an open flame. An exploded battery can propel debris and chemicals. If exposed, flush with water immediately.
- **Keep firm footing and balance. Do not overreach.** Overreaching can result in loss of balance.
- **Check the work area before each use.** Remove all objects such as rocks, broken glass, nails, wire, or string which can be thrown by or become entangled in the machine.
- **Do not point the blower tube in the direction of people or pets.**
- **Never run the unit without the proper equipment attached.** Always ensure that the blower tube is installed.
- **When not in use, the blower should be stored indoors in a dry, secure place out of the reach of children.**
- **Keep all bystanders, children, and pets at least 15m away.**
- **Blower service must be performed only by qualified repair personnel.** Service or maintenance performed by unqualified personnel may result in a risk of injury.
- **When servicing a blower, use only identical replacement parts.** Follow instructions in the Maintenance section of this manual. Use of unauthorized parts or failure to follow Maintenance Instructions may create a risk of shock or injury.
- **Never use the blower near fires or hot ashes.** Use near fires or ashes can spread fires and result in serious injury and/or property damage.
- **Never use blower to spread chemicals, fertilizers, or any other toxic substances.** Spreading these substances could result in serious injury to the operator or bystanders.
- **Never place the blower on any surface, except a hard, clean surface when the motor is running.** Gravel, sand, and other debris can be picked up by the air inlet and thrown at the operator or bystanders, causing possible serious injuries.



EN

- **Save these instructions.** Refer to them frequently and use them to instruct others who may use this tool. If you loan this tool to someone else, also loan these instructions to them to prevent misuse of the product and possible injury.

SAVE THESE INSTRUCTIONS!

SPECIFICATIONS

Voltage	56V
No Load Speed	Boost: 23000 /min
	High: 18000 /min
	Low: 10000 /min
Air Volume	Boost: 900 m ³ /h
	High: 675 m ³ /h
	Low: 440 m ³ /h
Air Velocity	Boost: 176 km/h
	High: 136 km/h
	Low: 80 km/h
Approx. Run Time (with EGO 2.5Ah battery)	10 min. (Boost)
	23 min. (High speed)
	75 min. (Low speed)
Blower Weight (without battery pack)	2.18 kg
Measured sound power level L _{WA}	97 dB(A) K=2.5 dB(A)
Sound pressure level at operator's ear L _{PA}	81.8 dB(A) K=2.5 dB(A)
Guaranteed sound power level L _{WA} (according to 2000/14/EC)	100 dB(A)
Vibration a _n	1.351 m/s ² K=1.5 m/s ²

- The declared vibration total value has been measured in accordance with a standard test method and may be used for comparing one tool with another;
- The declared vibration total value may also be used in a preliminary assessment of exposure.

NOTICE: The vibration emission during actual use of the power tool can differ from the declared value in which the tool is used; In order to protect the operator, user should wear gloves and ear protectors in the actual conditions of use.

PACKING LIST

PART NAME	QUANTITY
Blower	1
Blower tube	1
Blower flat nozzle	1
Operator's manual	1

DESCRIPTION

KNOW YOUR BLOWER (Fig. A)

1. Battery-release Button
2. Overmold Handle
3. Trigger
4. Boost Button
5. Air-velocity Adjustment Knob
6. Tube-release Button
7. Blower Tube
8. Air Outlet
9. Air Inlet
10. Ejection Mechanism
11. Mounting Slot
12. Electric Contacts
13. Latch
14. Shoulder-strap Mount

⚠ WARNING: The safe use of this product requires an understanding of the information on the tool and in this instruction manual as well as knowledge of the project you are attempting. Before use of this product, familiarize yourself with all operating features and safety rules.

OPERATION

⚠ WARNING: Do not allow familiarity with this product to make you careless. Remember that a careless fraction of a second is sufficient to inflict serious injury.

⚠ WARNING: Do not attempt to modify this product or create accessories not recommended for use with this blower. Any such alteration or modification is misuse and could result in a hazardous condition leading to possible serious personal injury.

⚠ WARNING: Always remove the battery pack from the product when you are assembling parts, making adjustments, cleaning, or when not in use. Removing the battery pack will prevent accidental starting that could cause serious personal injury.



Before each use, inspect the entire product for damaged, missing, or loose parts, such as screws, nuts, bolts, caps, etc. Tighten securely all fasteners and caps and do not operate this product until all missing or damaged parts are replaced.

APPLICATION

You may use this product for the purposes listed below:

- Clearing hard surfaces such as driveways and walkways.
- Keeping decks and driveways free from leaves and pine needles.

NOTICE: The tool is to be used only for its prescribed purpose. Any other use is deemed to be a case of misuse.

ASSEMBLING/REMOVING THE BLOWER TUBE

■ To Assemble (Fig. B)

Align the groove and push the tube onto the blower housing until you hear a “click”.

■ To Remove (Fig. C)

Press the tube-release button and pull the tube out.

INSTALLING/REMOVING THE BATTERY PACK (Fig. D)

Charge before first use.

■ To install

Align the battery ribs with the mounting slots and press the battery pack down until you hear a “click”.

■ To remove

Depress the battery-release button and pull the battery pack out.

⚠ WARNING: Always take care to note the location of your feet, children, or pets when pressing the battery-release button. Serious injury could result if the battery pack falls. NEVER remove the battery pack when in a high location.

STARTING/STOPPING THE BLOWER (Fig. E)

■ To Start

Depress the trigger and hold it. After a short delay, the blower will begin to run.

■ To Stop

Release the trigger.

ADJUSTING THE AIR VELOCITY

■ To Increase/Reduce the Air Velocity

Turn the air velocity adjusting knob clockwise/counter-clockwise.

■ To Enhance the Air Velocity

Press the boost button to achieve the maximum air speed.

NOTICE: Once the boost button is released, the blower will resume the previous speed.

EN

OPERATING THE BLOWER

- To keep from scattering debris, blow around the outer edges of a debris pile. Never blow directly into the center of a pile.
- To reduce sound levels, limit the number of pieces of equipment used at any one time.
- Use rakes and brooms to loosen debris before blowing. In dusty conditions, slightly dampen surfaces when water is available.
- Conserve water by using power blowers instead of hoses for many lawn and garden applications, including areas such as gutters, screens, patios, grills, porches, and gardens.
- Watch out for children, pets, open windows, or freshly washed cars, and blow debris safely away.
- After using blowers or other equipment, clean up! Dispose of debris properly.

MAINTENANCE

⚠ WARNING: When servicing, use only identical replacement parts. Use of any other parts may create a hazard or cause product damage. To ensure safety and reliability, all repairs should be performed by a qualified service technician.

⚠ WARNING: To avoid serious personal injury, always remove the battery pack from the product when cleaning or performing any maintenance.

GENERAL MAINTENANCE

Avoid using solvents when cleaning plastic parts. Most plastics are susceptible to damage from various types of commercial solvents and may be damaged by their use. Use clean cloths to remove dirt, dust, oil, grease, etc.

⚠ WARNING: Do not at any time let brake fluids, petrol, petroleum-based products, penetrating oils, etc., come in contact with plastic parts. Chemicals can damage, weaken or destroy plastic which may result in serious personal injury.

STORAGE

- Clean all foreign material from the air inlets of the blower.



EN

- Store indoors in a place that is inaccessible to children. Keep away from corrosive agents, such as garden chemicals and de-icing salts.

Protecting the environment



Do not dispose of electrical equipment, battery charger and batteries/rechargeable batteries into household waste!

According to the European law 2012/19/EU, electrical and electronic equipment that is no longer usable, and according to the European law 2006/66/EC, defective or used battery packs/batteries, must be collected separately and disposed of in an environmentally correct manner.

If electrical appliances are disposed of in landfills or dumps, hazardous substances can leak into the groundwater and get into the food chain, damaging your health and well-being.

EC DECLARATION OF CONFORMITY

We, CHERVON EUROPE LTD.

47 CASTLE STREET, READING, RG1 7SR, UNITED KINGDOM

Declare that the product **56V lithium-ion cordless blower LB5300E** complies with the essential health and safety requirements of the following Directives:

2006/42/EC, 2004/108/EC, 2011/65/EU, 2000/14/EC

Standards and technical specifications referred to:

EN60335-1, EN50636-2-100, EN62233, EN55014-1, EN55014-2

Measured Sound Power Level: 97 dB(A).

Guaranteed Sound Power Level: 100 dB(A).

Peter Melrose
Vice President of Chervon Europe

Dong Jianxun
Quality Manager of Chervon

* (Authorized representative for CHERVON and responsible for technical documentation)

01/01/2016



TROUBLESHOOTING

EN

PROBLEM	CAUSE	SOLUTION
Blower doesn't work.	<ul style="list-style-type: none">■ The battery pack is not attached to the blower.■ No electrical contact between the blower and battery.■ The battery pack is depleted.■ The battery pack or blower is too hot.	<ul style="list-style-type: none">■ Attach the battery pack to the blower.■ Remove battery, check contacts and reinstall the battery pack.■ Charge the battery pack.■ Cool the battery pack and blower until the temperature drops below 67°C.
The air velocity decreases significantly.	<ul style="list-style-type: none">■ Excessive wearing of motor fan.■ The air inlet is blocked by debris.	<ul style="list-style-type: none">■ Contact EGO service center for repair.■ Remove the battery pack, clear the debris.

WARRANTY

EGO WARRANTY POLICY

Please visit the website egopowerplus.com for full terms and conditions of the EGO Warranty policy.

LESEN SIE ALLE ANWEISUNGEN!

DE



LESEN UND BEACHTEN SIE DIE BEDIENUNGSANLEITUNG

HINWEIS: Diese Anleitung wird auch in anderen Formaten zur Verfügung gestellt, z.B. auf einer Website.

⚠ Restrisiko! Menschen mit elektronischen Geräten, wie z.B. Herzschrittmachern, sollten ihren Arzt konsultieren, bevor sie dieses Gerät verwenden. Die Bedienung von Elektrogeräten in unmittelbarer Nähe zu Herzschrittmachern kann zu Interferenzen und Störungen des Schrittmachers führen.

⚠ WARNUNG: Um die Sicherheit und Zuverlässigkeit zu gewährleisten, sollten alle Reparaturen und der Austausch von Teilen nur von qualifizierten Servicetechnikern durchgeführt werden.

SICHERHEITSSYMBOLLE

Der Zweck von Sicherheitssymbolen besteht darin, Ihre Aufmerksamkeit auf mögliche Gefahren zu lenken. Die Sicherheitssymbole und deren Erklärungen verdienen Ihre vollste Beachtung und ihr Verständnis. Die Warningsymbole beseitigen nicht von sich aus die Gefahren. Anweisungen und Warnungen sind kein Ersatz für angemessene Unfallverhütungsmaßnahmen.

⚠ WARNUNG: Achten Sie darauf, dass Sie, bevor Sie das Gerät benutzen, alle Sicherheitsanweisungen dieser Bedienungsanleitung gelesen und verstanden haben, einschließlich aller Gefahrenzeichen wie „**VORSICHT**“, „**WARNUNG**“ und „**ACHTUNG**“. Die Nichtbeachtung der unten angeführten Anweisungen kann zu Stromschlägen, Feuer und/oder schweren Personenschäden führen.

Schadensverhütung und wichtige Hinweise

Die Hinweise informieren den Benutzer über wichtige Sachverhalte oder Anweisungen, die zur Beschädigung der Ausrüstung oder zu anderen Sachschäden führen können, wenn sie nicht befolgt werden. Jeder wichtige Hinweis wird, wie in dem Beispiel unten, durch das Wort „**HINWEIS**“ angeführt:

HINWEIS: Schäden an der Ausrüstung und/oder andere Sachschäden können entstehen, wenn die Anweisungen nicht befolgt werden.



⚠ WARNUNG: Die Bedienung von Elektrogeräten kann dazu führen, dass Fremdkörper in Ihre Augen geschleudert werden und Sie dadurch schwerwiegende Augenschäden davontragen. Tragen Sie immer eine Schutzbrille, wenn möglich mit Seitenschutz, oder, falls nötig, einen vollen Gesichtsschutz, bevor Sie Arbeiten mit dem Elektrowerkzeug verrichten. Wir empfehlen Ihnen, einen Gesichtsschutz über Ihrer eigenen Brille oder eine herkömmliche Schutzbrille mit Seitenschutz zu tragen.

SICHERHEITSHINWEISE

Diese Seite zeigt und beschreibt die Sicherheitssymbole, die auf diesem Produkt erscheinen können. Lesen, verstehen und befolgen Sie die Anweisungen auf der Maschine, bevor Sie versuchen, die Maschine zusammenzubauen oder zu bedienen.

	Sicherheitswarnung	Vorsichtsmaßnahmen, die Ihre Sicherheit betreffen.
	Augenschutz tragen	Tragen Sie immer eine Schutzbrille, möglichst mit Seitenschutz, und einen Gesichtsschutz, wenn Sie das Gerät bedienen.
	Gehörschutz tragen	Tragen Sie immer einen Gehörschutz, wenn Sie das Gerät bedienen.
	Lesen Sie die Gebrauchsanleitung	Um das Verletzungsrisiko zu verringern, muss der Benutzer die Bedienungsanleitung vor der Benutzung des Gerätes gelesen und verstanden haben.
	Unbefugte Personen fernhalten	Halten Sie alle unbefugten Personen mindestens 15m fern.
	Schutzklasse II	Doppelt isolierte Konstruktion
	Vor Feuchtigkeit schützen	Nicht im Regen verwenden oder bei Regen im Freien liegen lassen.
V	Volt	Spannung
A	Ampere	Strom

Hz	Hertz	Frequenz (Zyklus pro Sekunde)
W	Watt	Leistung
min	Minuten	Zeit
m ³ /h	Kubikmeter pro Stunde	Luftmenge
km/h	Kilometer pro Stunde	Luftstromgeschwindigkeit
~	Wechselstrom	Stromart
≡	Gleichstrom	Stromart oder Merkmal des Stroms
n ₀	Leerlaufdrehzahl	Drehzahl im Leerlauf
... /min	pro Minute	Umdrehungen pro Minute

Bei der Benutzung eines elektrischen Gerätes, sollten bestimmte grundlegende Vorsichtsmaßnahmen immer befolgt werden, einschließlich der folgenden.

ALLGEMEINE SICHERHEITSHINWEISE ZU ELEKTROWERKZEUGEN

⚠️ WARNUNG: Sämtliche Anweisungen sind zu lesen. Fehler bei der Einhaltung der nachstehend aufgeführten Anweisungen können elektrischen Schlag, Brand und/ oder schwere Verletzungen verursachen.

Bewahren Sie diese Anweisungen gut auf.

Der nachfolgend verwendete Begriff „Elektrowerkzeug“ bezieht sich auf netzbetriebene Elektrowerkzeuge (mit Netzkabel) und auf akkubetriebene Elektrowerkzeuge (ohne Netzkabel).

ARBEITSPLATZ

- **Halten Sie Ihren Arbeitsbereich sauber und aufgeräumt.** Unordnung und unbeleuchtete Arbeitsbereiche können zu Unfällen führen.
- **Arbeiten Sie mit dem Gerät nicht in explosionsgefährdeter Umgebung, in der sich brennbare Flüssigkeiten, Gase oder Staub befinden.** Elektrowerkzeuge erzeugen Funken, die den Staub oder die Dämpfe entzünden können.
- **Halten Sie Kinder und andere Personen während der Benutzung des Elektrowerkzeugs fern.** Bei Ablenkung können Sie die Kontrolle über das Gerät verlieren.

ELEKTRISCHE SICHERHEIT

- **Der Anschlussstecker des Gerätes muss in die Steckdose passen. Der Netzstecker darf in keiner Weise verändert werden. Verwenden Sie keine Adapterstecker gemeinsam mit schutzgeerdeten Geräten. Unveränderte Netzstecker** und passende Steckdosen verringern das Risiko eines elektrischen Schlages.
- **Vermeiden Sie Körperkontakt mit geerdeten Oberflächen, wie von Rohren, Heizungen, Herden und Kühlschränken.** Es besteht ein erhöhtes Risiko durch elektrischen Schlag, wenn Ihr Körper geerdet ist.
- **Halten Sie das Gerät von Regen oder Nässe fern.** Das Eindringen von Wasser in ein Elektrogerät erhöht das Risiko eines elektrischen Schlages.
- **Zweckentfremden Sie das Netzkabel nicht, um das Gerät zu tragen, aufzuhängen oder um den Netzstecker aus der Steckdose zu ziehen. Halten Sie das Netzkabel fern von Hitze, Öl, scharfen Kanten oder sich bewegenden Geräteteilen.** Beschädigte oder verwickelte Netzkabel erhöhen das Risiko eines elektrischen Schlages.
- **Wenn Sie mit einem Elektrowerkzeug im Freien arbeiten, verwenden Sie nur Verlängerungskabel, die auch für den Außenbereich zugelassen sind.** Die Anwendung eines für den Außenbereich geeigneten Verlängerungskabels verringert das Risiko eines elektrischen Schlages.
- **Wenn sich Arbeiten mit einem Elektrowerkzeug in feuchten Umgebungen nicht vermeiden lassen, verwenden Sie eine Stromversorgung mit einer Fehlerstrom-Schutzeinrichtung (RCD).** Durch die Verwendung einer RCD wird die Gefahr eines elektrischen Schlags verringert.

SICHERHEIT VON PERSONEN

- **Seien Sie aufmerksam. Achten Sie darauf, was Sie tun, und gehen Sie mit Vernunft an die Arbeit mit einem Elektrowerkzeug. Benutzen Sie das Gerät nicht, wenn Sie müde sind oder unter dem Einfluss von Drogen, Alkohol oder Medikamenten stehen.** Ein Moment der Unachtsamkeit beim Gebrauch des Gerätes kann zu ernsthaften Verletzungen führen.
- **Tragen Sie persönliche Schutzausrüstung und immer eine Schutzbrille.** Das Tragen persönlicher Schutzausrüstung, wie Staubmaske, rutschfeste Sicherheitsschuhe, Schutzhelm oder Gehörschutz, je nach Art und Einsatz des Elektrowerkzeuges, verringert das Risiko von Verletzungen.

- **Ungewollten Motorstart verhindern. Vor dem Anschließen an eine Steckdose und/oder einen Akku und vor dem Aufheben oder Transportieren des Werkzeugs immer kontrollieren, ob der Betriebsschalter ausgestellt ist.** Unfälle sind vorprogrammiert, wenn Sie Elektrowerkzeuge mit einem Finger am Netzschalter tragen oder Elektrowerkzeuge mit eingeschaltetem Netzschalter an eine Steckdose anschließen.
- **Entfernen Sie Einstellwerkzeuge oder Schraubenschlüssel, bevor Sie das Gerät einschalten.** Ein Werkzeug oder Schlüssel, der sich in einem drehenden Geräteteil befindet, kann zu Verletzungen führen.
- **Überschätzen Sie sich nicht. Sorgen Sie für einen sicheren Stand und halten Sie jederzeit das Gleichgewicht.** Dadurch können Sie das Gerät in unerwarteten Situationen besser kontrollieren.
- **Tragen Sie geeignete Kleidung. Tragen Sie keine weite Kleidung oder Schmuck. Halten Sie Haare, Kleidung und Handschuhe fern von sich bewegenden Teilen.** Lockere Kleidung, Schmuck oder lange Haare können von sich bewegenden Teilen erfasst werden.
- **Wenn Staubabsaug- und -auffangeinrichtungen montiert werden können, vergewissern Sie sich, dass diese angeschlossen sind und richtig verwendet werden.** Das Verwenden dieser Einrichtungen verringert Gefährdungen durch Staub.

SORGFÄLTIGER UMGANG UND GEBRAUCH VON ELEKTROWERKZEUGEN

- **Überlasten Sie das Gerät nicht. Verwenden Sie für Ihre Arbeit das dafür bestimmte Elektrowerkzeug.** Mit dem passenden Elektrowerkzeug arbeiten Sie besser und sicherer im angegebenen Leistungsbereich.
- **Benutzen Sie kein Elektrowerkzeug, dessen Schalter defekt ist.** Ein Elektrowerkzeug, das sich nicht mehr ein- oder ausschalten lässt, ist gefährlich und muss repariert werden.
- **Ziehen Sie den Netzstecker aus der Steckdose, bevor Sie Geräteeinstellungen vornehmen, Zubehörteile wechseln oder das Gerät weglegen.** Diese Vorsichtsmaßnahme verhindert den unbeabsichtigten Start des Geräts.
- **Bewahren Sie unbenutzte Elektrowerkzeuge außerhalb der Reichweite von Kindern auf. Lassen Sie Personen das Gerät nicht benutzen, die mit diesem nicht vertraut sind oder diese Anweisungen nicht gelesen haben.** Elektrowerkzeuge sind gefährlich, wenn Sie von unerfahrenen Personen benutzt werden.
- **Pflegen Sie das Gerät mit Sorgfalt. Kontrollieren Sie, ob bewegliche Geräteteile einwandfrei funktionieren und nicht klemmen, ob Teile gebrochen oder so beschädigt sind, dass die Funktion des Gerätes beeinträchtigt ist. Lassen Sie beschädigte Teile vor dem Einsatz des Gerätes reparieren.** Viele Unfälle haben ihre Ursache in schlecht gewarteten Elektrowerkzeugen.
- **Halten Sie Schneidwerkzeuge scharf und sauber.** Sorgfältig gepflegte Schneidwerkzeuge mit scharfen Schneidkanten verklemmen sich weniger und sind leichter zu führen.
- **Verwenden Sie Elektrowerkzeug, Zubehör, Einsatzwerkzeuge usw. entsprechend diesen Anweisungen und so, wie es für diesen speziellen Gerätetyp vorgeschrieben ist. Berücksichtigen Sie dabei die Arbeitsbedingungen und die auszuführende Tätigkeit.** Der Gebrauch von Elektrowerkzeugen für andere als die vorgesehenen Anwendungen kann zu gefährlichen Situationen führen.

UMGANG MIT AKKUWERKZEUGEN

- **Zum Laden ist ausschließlich das vom Hersteller angegebene Ladegerät zu verwenden.** Ein Ladegerät, das für eine Art von Akkus geeignet ist, kann bei Verwendung mit einer anderen Art von Akku Brandgefahr verursachen.
- **Elektrowerkzeuge dürfen nur mit speziell dazu bestimmten Akkus verwendet werden, da bei der Verwendung anderer Akkus Verletzungs- und Brandgefahr entstehen kann.**
- **Wenn der Akku nicht in Gebrauch ist, ist er von Büroklammern, Münzen, Schlüsseln, Nägeln, Schrauben und anderen kleinen Metallobjekten fernzuhalten, die eine Verbindung zwischen den Polen bilden können.** Kurzschließen der Pole kann Brand oder Verbrennungen verursachen.
- **Bei falschem Umgang mit dem Akku kann Flüssigkeit aus dem Akku austreten. Die Berührung dieser Flüssigkeit ist zu vermeiden. Bei Berührung den betroffenen Körperteil mit Wasser abspülen. Bei Berührung der Flüssigkeit mit den Augen muss zusätzlich ärztliche Hilfe gerufen werden.** Die Akkufflüssigkeit kann Reizungen oder Verbrennungen verursachen.

SERVICE

- **Lassen Sie Ihr Elektrowerkzeug von einer qualifizierten Fachkraft unter Verwendung von Originalersatzteilen reparieren.** Dadurch wird die sichere Funktionsweise des Elektrowerkzeuges gewährleistet.

LESEN SIE VOR DER BENUTZUNG DES PRODUKTS ALLE ANWEISUNGEN!

TRAINING

- **Lesen Sie die Anleitungen sorgfältig.** Machen Sie sich mit der Steuerung und der richtigen Handhabung des Gerätes vertraut.
- **Kindern, Personen mit eingeschränkten körperlichen, sensorischen oder geistigen Fähigkeit oder mit mangelnden Erfahrungen und Fachkenntnissen oder Personen, die die vorliegenden Anweisungen nicht kennen, muss die Nutzung des Geräts untersagt werden.**
- **Erlauben Sie niemals solchen Menschen die Nutzung des Gerätes, die nicht mit diesen Anweisungen vertraut sind.**
- **Bedienen Sie das Gerät niemals, wenn andere Menschen, ganz besonders Kinder, oder Tiere in der Nähe sind.**
- **Der Bediener oder Nutzer des Gerätes ist für mögliche Unfälle oder Gefährdungen verantwortlich, die andere Menschen oder deren Besitz treffen könnten.**

Vorbereitung

- **Tragen Sie immer festes Schuhwerk und lange Hosen während der Bedienung des Gerätes.**
- **Tragen Sie keine locker sitzende Kleidung oder Schmuckstücke, die in die Luftansaugöffnung gesogen werden könnten.** Halten Sie langes Haar von der Ansaugöffnung entfernt.
- **Tragen Sie während des Betriebes eine Schutzbrille.**
- **Um Reizungen durch Staub zu vermeiden, empfehlen wir, einen Mundschutz zu tragen.**
- **Überprüfen Sie die Batterien oder den Akkusatz vor der Verwendung auf Schäden.** Verwenden Sie die Batterien oder den Akkusatz nicht, wenn sie beschädigt sind.
- **Verwenden Sie das Gerät niemals mit defekten Abdeckungen und Schutzvorrichtungen oder ohne Sicherheitsvorrichtungen, wie z.B. ohne angebrachtem Schmutzsammler.**

Bedienung

- **Entfernen Sie die Batterien oder den Akkusatz:**
 1. Immer, wenn Sie die Maschine verlassen;
 2. Vor dem Säubern oder bei Verstopfungen;
 3. Bevor Sie an der Maschine arbeiten, sie säubern oder kontrollieren;
 4. Wenn das Gerät beginnt, unnormal zu vibrieren
- **Bedienen Sie das Gerät nur bei Tageslicht oder unter gutem künstlichen Licht.**

- **Lehnen Sie sich nicht zu weit über und halten Sie jederzeit die Balance.**
- **Achten Sie an Abhängen immer auf festen Stand.**
- **Nur gehen, niemals rennen.**
- **Halten Sie alle Öffnungen der Luftkühlung frei von Verunreinigungen.**
- **Blasen Sie Schmutz niemals in die Richtung von Passanten.**
- **Es wird empfohlen, die Maschine nur zu angemessenen Tageszeiten zu verwenden. Nicht früh am Morgen oder spät am Abend, wenn sich Leute gestört fühlen könnten.**
- **Es wird empfohlen, einen Rechen oder Besen zu verwenden, um Schmutz vor dem Wegblasen zu lockern.**
- **Es wird empfohlen, Oberflächen leicht zu befeuchten, wenn sie staubig sind.**

⚠️ WARNUNG: Gefahr durch rotierende Teile!

- **Benutzen Sie die komplette Verlängerung der Gebläsedüse, damit der Luftstrom nah am Boden arbeiten kann.**
- **Das Gerät darf nicht in der Nähe geöffneter Fenster o.ä. eingesetzt werden.**
- **Wartung und Lagerung**
- **Achten sie darauf, dass alle Schrauben, Muttern und Bolzen fest angezogen sind. Nur kann für eine entsprechende Gerätesicherheit gesorgt werden.**
- **Überprüfen Sie den Schmutzsammler regelmäßig auf Verschleiß und Abnutzung.**
- **Ersetzen Sie verschlissene oder beschädigte Teile.**
- **Verwenden Sie nur Originalersatz- und Zubehörteile.**
- **Lagern Sie das Gerät nur an trockenen Orten.**

⚠️ WARNUNG: Um die Sicherheit und Zuverlässigkeit zu gewährleisten, sollten alle Reparaturen nur von qualifizierten Servicetechnikern durchgeführt werden.

⚠️ WARNUNG: Zur Verringerung der Brand-, Stromschlag- und Verletzungsgefahr:
WICHTIG
VOR DEM GEBRAUCH AUFMERKSAM LESEN.
ZUM SPÄTEREN NACHSCHLAGEN
AUFBEWAHREN.

- **Lernen Sie Ihren Power Laubbläser kennen. Lesen Sie die Bedienungsanleitung sorgfältig durch. Kennen Sie sowohl die Anwendungsgebiete und Beschränkungen, als auch die spezifischen möglichen Gefahrenquellen des Gebläses.** Wenn Sie diese Regeln befolgen, verringern Sie das Risiko für Stromschläge, Feuer und Verletzungen.
- **Setzen Sie das Gebläse nicht bei Regen oder anderen feuchten Bedingungen ein.** Wasser, das in das Gebläse eindringt, erhöht das Risiko für Stromschläge
- **Gestatten Sie nicht, dass das Gebläse als Spielzeug benutzt wird.** Besondere Aufmerksamkeit ist erforderlich, wenn Kinder in der Nähe sind.
- **Verwenden Sie das Gerät nur, wie es in dieser Anleitung beschrieben wird. Verwenden Sie nur vom Hersteller empfohlene Zubehörteile.**
- **Wenn der Laubbläser nicht so funktioniert wie er sollte, wenn er fallen gelassen wurde, wenn er beschädigt ist, wenn er im Freien liegen gelassen wurde oder wenn er mit Wasser in Berührung gekommen ist, dann bringen Sie ihn in ein Servicezentrum.**
- **Berühren Sie das Ladegerät, einschließlich der Stecker und der Ladestation, nicht mit nassen Händen.**
- **Stecken Sie keine Objekte in irgendwelche Öffnungen. Verwenden Sie das Gerät nicht mit blockierten Öffnungen. Halten Sie die Öffnungen frei von Staub, Flusen, Haaren und allem, was die Luftzirkulation beeinträchtigen könnte.**
- **Halten Sie Ihr Haar, lockere Kleidung, Finger und alle Körperteile von den Öffnungen und von beweglichen Teilen fern. Lockere Kleidung, Schmuck oder langes Haar können in die Belüftungsöffnungen gesogen werden.**
- **Sichern Sie Ihr Haar oberhalb der Schultern, um dem Verfangen in beweglichen Teilen vorzubeugen.**
- **Seien Sie besonders vorsichtig, wenn Sie Treppen säubern.**
- **Laden Sie Akkus nicht im Freien.**
- **Verwenden Sie zum Aufladen nur das Ladegerät, das vom Hersteller geliefert wurde.**
- **Lassen Sie das Gebläse nicht unbeaufsichtigt, wenn der Akku eingelegt ist.** Entfernen Sie den Akku, wenn das Gebläse nicht benutzt wird und wenn Sie das Gerät warten.

- **Verwenden Sie das Gebläse nicht in explosionsgefährdeten Umgebungen wie z.B. beim Vorhandensein von entzündlichen Flüssigkeiten, Gasen oder Stäuben.** Gebläse erzeugen Funken, die Stäube oder Dämpfe entzünden können.
- **Verwenden Sie das akkubetriebene Gebläse nur mit dem speziell bestimmten Akkusatz .** Die Verwendung von anderen Akkus birgt das Risiko in sich, das Feuer entstehen könnte.
- **Verwenden Sie nur die Akkusätze und Ladegeräte, die hier aufgelistet sind.**

AKKUSATZ	LADEGERÄT
BA1120E, BA2240E, BA2800, BA3360, BA4200	CH5500E, CH2100E

⚠️ WARNUNG:

- Der Akkusatz muss aus dem Gerät entfernt werden, wenn es ausrangiert wird.
- Der Akku muss sicher entsorgt werden.
- **Seien Sie wachsam, geben Sie darauf Acht, was Sie tun und benutzen Sie Ihren guten Menschenverstand, wenn Sie das Kraftgebläse verwenden. Verwenden Sie das Gebläse nicht, wenn Sie müde sind, sich unwohl fühlen oder unter dem Einfluss von Drogen, Alkohol oder Medikamenten stehen.** Ein Moment der Unachtsamkeit, kann zu ernsthaften Personenschäden führen.
- **Vermeiden Sie das unbeabsichtigte Starten des Gerätes. Achten Sie darauf, dass der Schalter in der gesperrten bzw. Aus-Stellung ist, bevor Sie den Akkusatz einsetzen.** Das Gebläse zu halten, wenn Ihr Finger am Schalter ist, oder den Akkusatz einzusetzen, wenn der Schalter auf der An-Stellung ist, lädt Unfälle ein.
- **Verwenden Sie eine Sicherheitsausrüstung. Tragen Sie immer einen Augenschutz.** Eine Staubschutzmaske, rutschsichere Arbeitsschuhe, ein fester Hut und ein Gehörschutz müssen für optimale Arbeitsbedingungen getragen werden.
- **Nicht auf Leitern, Dächern, Bäumen oder anderen instabilen Untergründen verwenden.** Durch einen sicherer Halt auf festem Untergrund lässt sich der Laubbläser auch in unerwarteten Situationen besser unter Kontrolle halten.
- **Achten Sie immer auf Ihre Füße und auf Kinder oder Haustiere, wenn Sie den Akku vom Laubbläser abnehmen. Ernsthafte Verletzungen könnten die Folge sein, wenn der Akku herunterfällt. Entfernen Sie den Akkusatz NIEMALS aus einer hohen Position heraus.**

- **Verwenden Sie das Gebläse nicht, wenn der Schalter sich nicht ein- oder ausschalten lässt.** Ein Gebläse, dass sich nicht durch den Schalter bedienen lässt, ist gefährlich und muss repariert werden.
- **Trennen Sie den Akkusatz vom Gebläse, bevor Sie irgendwelche Anpassungen vornehmen, Zubehörteile ändern oder das Gebläse verstauen.** Solche vorsorglichen Sicherheitsmaßnahmen verringern die Gefahr, dass sich das Gebläse unbeabsichtigt einschaltet.
- **Schalten Sie alle Bedienelemente aus, bevor Sie den Akkusatz entfernen.**
- Nehmen Sie **zuerst** den Akku aus dem Gerät, bevor Sie Blockaden versuchen zu lösen.
- **Achten Sie auf falsch ausgerichtete oder fest sitzende Bauteile, Bruchstellen und sonstige Umstände, die die Funktion des Laubbläasers beeinträchtigen können. Ein beschädigter Laubbläser muss vor dem Gebrauch repariert werden.** Viele Unfälle entstehen durch schlecht gewartete Laubbläser.
- **Halten Sie das Gebläse und seinen Griff trocken, sauber und frei von Öl oder Fett.** Verwenden sie zum Säubern immer einen sauberen Lappen. Nehmen Sie niemals Bremsfl. Benzin, erdöhlhaltige Produkte oder irgendwelche starken Lösemittel, um das Gebläse zu reinigen. Wenn Sie diese Regel befolgen, dann reduziert sich die Gefahr, dass das Gehäuseplastik spröde wird oder zerbricht..
- **Tragen Sie immer eine Schutzbrille mit Seitenschutz.** Gewöhnliche Brillen haben nur stoßfeste Linsen. Sie sind KEINE Schutzbrillen. Das Befolgen dieser Regel verringert die Gefahr von Augenverletzungen.
- **Schützen Sie Ihre Lungen.** Tragen Sie eine Gesichts- oder Staubmaske, wenn die Tätigkeit staubig ist. Das Befolgen dieser Regel verringert die Gefahr von schweren Personenschäden.
- **Schützen Sie Ihr Gehör.** Tragen Sie während längerer Zeiten des Betriebs einen Gehörschutz. Das Befolgen dieser Regel verringert die Gefahr von schweren Personenschäden.
- **Akkubetriebene Gebläse müssen nicht an eine Steckdose angeschlossen werden. Deshalb sind sie immer im Betriebszustand. Achten Sie auf mögliche Risiken, wenn Sie das akkubetriebene Gebläse nicht verwenden oder wenn Sie Zubehörteile austauschen.** Das Befolgen dieser Regel verringert die Gefahr von Stromschlägen, Feuer oder schweren Personenschäden.
- **Tragen Sie robuste lange Hosen, lange Ärmel, Stiefel und Handschuhe.** Vermeiden Sie lockere Kleidungsstücke und Schmuck, die sich in beweglichen Teilen der Maschine oder des Motors verfangen könnten.
- **Bedienen Sie die Ausrüstung nicht barfuß oder wenn Sie Sandalen oder ähnliche leichte Schuhe tragen.** Tragen Sie robustes Schuhwerk, das Ihre Füße schützt und Ihnen bessern Halt auf rutschigen Oberflächen gibt.
- **Akkus können bei Gegenwart einer Zündquelle, wie z.B. einer Zündflamme, explodieren. Um die Gefahr für schwere Personenschäden zu verringern, verwenden Sie niemals ein kabelloses Produkt in der Gegenwart einer offenen Flamme.** Ein explodierter Akku kann Bruchstücke und Chemikalien herumschleudern. Wenn sie diesen ausgesetzt sind, dann spülen Sie sie unverzüglich mit Wasser ab.
- **Bewahren Sie festen Stand und die Balance.** Lehnen Sie sich nicht über. Weites Überlehnen kann zum Verlust des Gleichgewichts führen.
- **Überprüfen Sie den Arbeitsbereich vor jedem Gebrauch.** Entfernen Sie alle Objekte, wie z.B. Steine, zerbrochenes Glas, Nägel, Drähte oder Fäden, die aus dem Gerät herausgeschleudert werden oder sich im Gerät verfangen könnten.
- **Richten Sie das Gebläserohr nicht auf Menschen oder Tiere.**
- **Betreiben Sie das Gerät niemals ohne die entsprechenden Zubehörteile.** Achten Sie immer darauf, dass das Gebläserohr installiert ist.
- **Das Gebläse sollte immer im Haus und an einem trockenen, sicheren Platz außerhalb der Reichweite von Kindern gelagert werden, wenn es nicht verwendet wird.**
- **Halten Sie alle unbefugten Personen, Kinder und Tiere mindestens 15m vom Gerät fern.**
- **Die Wartung des Gebläses darf nur von qualifizierten Instandsetzungsfachleuten durchgeführt werden.** Die durch unqualifizierte Leute durchgeführte Wartung und Instandhaltung, kann zu Verletzungsgefahr führen.
- **Bei der Instandsetzung des Gebläses dürfen nur identische Ersatzteile verwendet werden.** Befolgen Sie die Hinweise im Kapitel Wartung dieser Bedienungsanleitung. Die Verwendung von nicht zugelassenen Teilen oder ein Nichtbefolgen der Wartungsanleitung, kann zu Stromschlägen oder Verletzungen führen.

- **Verwenden Sie das Gebläse niemals in der Nähe von Feuer oder heißer Asche.** Die Verwendung in der Nähe von Feuer oder heißer Asche kann zur Ausbreitung des Feuers und damit zu schweren Verletzungen und/oder Sachschäden führen.
- **Verwenden Sie das Gebläse niemals, um damit Chemikalien, Düngemittel oder andere toxische Substanzen zu verteilen.** Das Verteilen solcher Stoffe kann zu schweren Verletzungen beim Bediener der Maschine oder bei Passanten führen.
- **Legen Sie das Gebläse niemals auf eine Oberfläche, außer auf eine harte und saubere, wenn der Motor noch läuft.** Kies, Sand und andere kleine Dinge könnten durch den Lufteinlass angesaugt und dann auf den Bediener oder Passanten geschleudert werden, was zur Verletzungsgefahr führt.
- **Heben Sie diese Anleitung auf.** Schlagen Sie gegebenenfalls darin nach und verwenden Sie sie, um Andere in die Verwendung des Gerätes einzuweisen. Falls Sie dieses Werkzeug an Andere verleihen, händigen Sie ihnen auch diese Anleitung aus, um einem Missbrauch des Geräts und möglichen Verletzungen vorzubeugen.

HEBEN SIE DIESE ANLEITUNG AUF!

TECHNISCHE DATEN

Spannung	56V
Leerlaufdrehzahl	Boost: 23000 /min
	Hoch: 18000 /min
	Niedrig: 10000 /min
Luftmenge	Boost: 900 m³/h
	Hoch: 675 m³/h
	Niedrig: 440 m³/h
Luftstromgeschwindigkeit	Boost: 176 km/h
	Hoch: 136 km/h
	Niedrig: 80 km/h
Ungefähre Betriebsdauer (mit EGO 2,5Ah Akku)	10 min. (Boost)
	23 min. (Hochtourig)
	75 min. (Niedertourig)
Gewicht des Laubbläasers (ohne Akku)	2,18 kg
Gemessener Schallleistungspegel L _{WA}	97 dB(A) K=2,5 dB(A)

Schalldruckpegel am Ohr des Bedieners L _{PA}	81,8 dB(A) K=2,5 dB(A)
Garantierter Schallleistungspegel L _{WA} (nach 2000/14/EG gemessen)	100 dB(A)
Vibration a _h	1,351 m/s ² K=1,5 m/s ²

- Der angegebene Schwingungsgesamtwert wurde in Übereinstimmung mit einer Standardtestmethode gemessen und kann verwendet werden, um Werkzeuge miteinander zu vergleichen.
- Der angegebene Schwingungsgesamtwert kann auch als einleitende Feststellung der Belastung verwendet werden.

HINWEIS: Die Schwingungs-Emission während der tatsächlichen Arbeit mit dem Elektrowerkzeug kann vom angegebenen Wert abweichen. Um den Bediener zu schützen, sollte man unter den tatsächlichen Bedingungen Handschuhe und Gehörschutz tragen.

PACKLISTE

TEILNAME	MENGE
Laubbläser	1
Gebläserohr	1
Flachdüse	1
Bedienungsanleitung	1

BESCHREIBUNG

AUFBAU (Abb. A)

1. Akku-Freigabeknopf
2. Überspritzter Griff
3. Auslöser
4. Boost-Knopf
5. Stellknopf für Luftgeschwindigkeit
6. Rohrentriegelung
7. Gebläserohr
8. Luftauslass
9. Lufteinlass
10. Auswurfmechanismus
11. Einschuböffnung
12. Elektrische Kontakte
13. Verschluss
14. Schultergurtbefestigung

⚠️ WARNUNG: Der sichere Umgang mit diesem Produkt erfordert sowohl das Verstehen der Informationen auf dem Werkzeug und in dieser Anleitung, als auch Kenntnis über die Arbeitsaufgabe, die Sie planen. Machen Sie sich vor der Nutzung des Produkts mit allen Bedienmerkmalen und Sicherheitsregeln vertraut.

BEDIENUNG

⚠️ WARNUNG: Vermeiden Sie es, dass die Vertrautheit mit dem Produkt zu Nachlässigkeit führt. Denken Sie daran, dass ein kurzer Moment der Unachtsamkeit zu ernsthaften Verletzungen führen kann.

⚠️ WARNUNG: Versuchen Sie nicht, dieses Produkt zu verändern oder Zubehörteile zu verwenden, die für den Einsatz dieses Laubbläfers nicht empfohlen werden. Derartige Änderungen oder Umbauten stellen eine Zweckentfremdung dar und können gefährliche Arbeitsbedingungen hervorrufen, bei denen eine schwere Verletzungsgefahr besteht.

⚠️ WARNUNG: Entfernen Sie immer den Akkusatz aus dem Produkt, wenn Sie Teile montieren, Anpassungen vornehmen, etwas säubern oder wenn das Gerät nicht benutzt wird. Das Entfernen des Akkusatzes beugt dem unabsichtlichen Starten vor, das zu ernsthaften Personenschäden führen kann.

Inspizieren Sie das gesamte Produkt vor jeder Benutzung auf beschädigte, fehlende oder lockere Teile, wie z.B. Schrauben, Muttern, Bolzen, Abdeckungen usw. Ziehen Sie alle Befestigungsteile an und bedienen Sie das Produkt nicht, bis alle beschädigten oder fehlenden Teile ersetzt worden sind.

ANWENDUNGSBEREICH

Sie können dieses Produkt für die nachstehend aufgeführten Zwecke einsetzen:

- Zur Reinigung harter Oberflächen wie Fahr- und Fußwege.
- Zum Freihalten von Terrassen und Auffahrten von Blättern und Kiefernadeln.

HINWEIS: Das Werkzeug darf nur für den dafür vorgesehenen Zweck eingesetzt werden. Jeder andere Geräteinsatz gilt als Zweckentfremdung.

ANBRINGEN/ABNEHMEN DES GEBLÄSEROHRS

■ Anbringen (Abb. B)

Lassen Sie die Rille fluchten und schieben Sie das Rohr in das Gerätegehäuse, bis ein Klickgeräusch zu hören ist.

■ Abnehmen (Abb. C)

Drücken Sie die Rohrentriegelung und ziehen Sie das Rohr ab.

ANBRINGEN/ABNEHMEN DES AKKUS (Abb. D)

Laden Sie den Akku vor dem ersten Gebrauch auf.

■ Anbringen

Lassen Sie die Rippen am Akkugehäuse mit den Öffnungen am Gerät fluchten und schieben Sie den Akku bis zum hörbaren Einrasten in das Gerät.

■ Abnehmen

Drücken Sie die Batterieentriegelung und ziehen Sie den Akku heraus.

⚠️ WARNUNG: Achten Sie immer auf Ihre Füße, Kinder oder Tiere um Sie herum, wenn Sie den Akku-Auswurf-Knopf betätigen. Ernsthaftige Verletzungen könnten die Folge sein, wenn der Akku herunterfällt. Entfernen Sie den Akku NIEMALS aus einer hohen Position heraus.

EIN-/AUSSCHALTEN DES LAUBBLÄSERS (Abb. E)

■ Einschalten

Halten Sie den Ein-/Ausschalter gedrückt. Nach einer kurzen Verzögerung geht das Gebläse dann in Betrieb.

■ Ausschalten

Lassen Sie den Ein-/Ausschalter los.

EINSTELLEN DER LUFTGESCHWINDIGKEIT

■ Luftgeschwindigkeit erhöhen/verringern

Den Einstellknopf für die Luftgeschwindigkeit im oder gegen den Uhrzeigersinn drehen.

■ Luftgeschwindigkeit verstärken

Zum Aktivieren der maximalen Luftgeschwindigkeit den Boost-Schalter drücken.

HINWEIS: Wird der Boost-Schalter losgelassen, schaltet der Laubbläser auf die vorherige Geschwindigkeit um.

BETRIEB DES LAUBBLÄSERS

- Blasen Sie an den Außenkanten des Schmutzhaufens entlang, damit die Laubrester nicht verstreut werden. Blasen Sie niemals direkt in die Mitte eines Haufens.
- Um den Lärmpegel zu reduzieren, begrenzen Sie die Anzahl der zu einer Zeit verwendeten Ausrüstungsteile.
- Verwenden Sie Harken und Besen, um den Schutt vor dem Wegblasen zu lockern. Unter staubigen Bedingungen befeuchten Sie die Oberflächen etwas, wenn Ihnen Wasser zur Verfügung steht.

- Sparen Sie Wasser, indem Sie ein Kraftgebläse anstelle von Wasserschläuchen bei vielen Rasen- und Gartenarbeiten einsetzen – z.B. auch bei Wasserrinnen, Gittern, Terrassen, Rosten, Vordächern und allgemein im Garten.
- Geben Sie auf Kinder, Tiere, offene Fenster oder frisch gewaschene Autos Acht. Blasen Sie den Schmutz vorsichtig weg.
- Säubern Sie den Ort nach der Benutzung des Gebläses oder anderer Geräte. Entsorgen Sie den Schutt ordnungsgemäß

WARTUNG

⚠ WARNUNG: Verwenden Sie für die Wartung nur identische Ersatzteile. Die Verwendung anderer Teile kann Unfälle und Schäden am Gerät hervorrufen. Um die Sicherheit und Zuverlässigkeit zu gewährleisten, sollten alle Reparaturen nur von qualifizierten Servicetechnikern durchgeführt werden.

⚠ WARNUNG: Um ernsthafte Personenschäden zu vermeiden, entfernen Sie immer den Akkusatz aus dem Produkt, wenn Sie das Gerät säubern oder Wartungsarbeiten vornehmen.

LAUFENDE WARTUNGSARBEITEN

Vermeiden Sie es, Lösungsmittel bei der Säuberung der Plastikteile zu verwenden. Die meisten Kunststoffe sind anfällig für Schäden durch die vielen Arten von im Handel erhältlichen Lösungsmitteln. Die Teile könnten beschädigt werden. Nehmen Sie einen sauberen Lappen, um Schmutz, Staub, Öl, Fett usw. zu entfernen.

⚠ WARNUNG: Lassen Sie niemals Bremsflüssigkeit, Benzin, erdöhlhaltige Produkte, durchdringende Öle usw. in Kontakt mit den Plastikteilen kommen. Chemikalien können Plastik beschädigen, angreifen oder zerstören, was zu ernsthaften Personenschäden führen kann.

LAGERUNG

- Entfernen Sie alle Fremdkörper von den Lufteintrittsöffnungen des Gebläses.
- Lagern Sie das Gerät im Haus an einem Ort, der nicht für Kinder erreichbar ist. Halten Sie es von zersetzenden Mitteln wie Gartenchemikalien oder Tausalzen fern.

Umweltschutz



Entsorgen Sie elektronische Geräte, Ladegeräte und Batterien/Akkus nicht im Hausmüll!

Gemäß der europäischen Rechtsnorm 2012/19/EU müssen elektrische und elektronische Geräte, die nicht mehr benutzt werden, separat gesammelt und umweltgerecht entsorgt werden. Dasselbe trifft gemäß der europäischen Rechtsnorm 2006/66/EC auch auf defekte oder verbrauchte Batterien/Akkus zu.

Wenn elektrische Geräte auf Deponien oder Schutthalden entsorgt werden, dann können gefährliche Substanzen ins Grundwasser sickern und in die Nahrungskette übergehen, was Ihre Gesundheit und Ihr Wohlbefinden beeinträchtigen kann.

EG-KONFORMITÄTserklärung



Wir, CHERVON EUROPE LTD.

47 CASTLE STREET, READING, RG1 7SR, UNITED KINGDOM

Erklären hiermit, dass der Artikel **kabelloser laubbläser 56V li-ionen-akku LB5300E**, mit den grundlegenden Sicherheits- und Gesundheitsanforderungen folgender Richtlinien übereinstimmt:

2006/42/EG, 2004/108/EG, 2011/65/EG, 2000/14/EG

Hinweise auf Normen und technische Spezifikationen:

EN60335-1, EN50636-2-100, EN62233, EN55014-1, EN55014-2

Gemessener Schalleistungspegel: 97dB(A).

Gewährleitetester Schalleistungspegel: 100 dB(A).

Peter Melrose
Vizepräsident Chervon Europe

Dong Jianxun
Qualitätsmanager Chervon

* (Verantwortlicher Vertreter von CHERVON und technischer Dokumentationsverantwortlicher)

01/01/2016

STÖRUNGSBESEITIGUNG

PROBLEM	GRUND	LÖSUNG
Das Gebläse funktioniert nicht.	<ul style="list-style-type: none">■ Der Akkusatz ist nicht in das Gebläse eingesetzt.■ Kein elektrischer Kontakt zwischen Gebläse und Akku■ Der Akkusatz ist leer.■ Der Akkusatz oder das Gebläse sind zu heiß.	<ul style="list-style-type: none">■ Legen Sie den Akkusatz in das Gebläse ein■ Entnehmen Sie den Akku, überprüfen Sie die Kontakte und setzen Sie ihn wieder ein.■ Laden Sie den Akkusatz auf.■ Kühlen Sie den Akkusatz und das Gebläse, bis die Temperatur unter 67 °C fällt.
Das Gebläse funktioniert nicht.	<ul style="list-style-type: none">■ Starke Abnutzung des Gebläsemotors.■ Die Lufteintrittsöffnung ist durch Schmutz blockiert.	<ul style="list-style-type: none">■ Kontaktieren Sie das EGO- Servicezentrum für eine Reparatur.■ Entfernen Sie den Akku und säubern Sie die Öffnungen.

DE

GARANTIE

EGO GEWÄHRLEISTUNGSRICHTLINIE

Bitte besuchen Sie unsere website egopowerplus.com mit den kompletten EGO Garantiebedingungen.

LISEZ TOUTES LES INSTRUCTIONS!



LISEZ ET COMPRENEZ LES INSTRUCTIONS DU MANUEL D'UTILISATION

FR

REMARQUE : Ce manuel d'utilisation est également disponible dans un format alternatif, par exemple sur un site Web.

⚠ Risques résiduels ! Les personnes portant des appareils électroniques, par exemple des stimulateurs cardiaques, doivent consulter leur(s) médecin(s) avant d'utiliser ce produit. L'utilisation d'un équipement électrique près d'un stimulateur cardiaque peut provoquer des interférences ou la panne du stimulateur cardiaque.

⚠ AVERTISSEMENT : Pour garantir la sécurité et la fiabilité, toutes les réparations et tous les changements de pièce doivent être effectués par un réparateur qualifié.

SYMBOLES DE SÉCURITÉ

L'objectif des symboles de sécurité est d'attirer votre attention sur des dangers potentiels. Les symboles de sécurité et les explications les accompagnant doivent être lus avec attention et compris. Les symboles de mise en garde ne permettent pas par eux-mêmes d'éliminer les dangers. Les consignes et mises en garde ne se substituent pas à des mesures de prévention appropriées des accidents.

⚠ AVERTISSEMENT : Lisez et comprenez impérativement toutes les consignes de sécurité de ce manuel d'utilisation, y compris les symboles de mise en garde de sécurité tels que « **DANGER** », « **AVERTISSEMENT** » et « **ATTENTION** » avant d'utiliser cet outil. Ne pas respecter toutes les consignes listées ci-après peut provoquer un choc électrique, un incendie et/ou des blessures corporelles graves.

PRÉVENTION DES DOMMAGES ET MESSAGES INFORMATIFS

Ils fournissent à l'utilisateur des informations et/ou des consignes importantes dont le non-respect peut conduire à la détérioration de l'équipement ou d'autres biens. Chaque message est précédé par le mot « **REMARQUE** » comme dans l'exemple ci-dessous :

REMARQUE : La détérioration de l'équipement et/ou d'autres biens peut résulter du non-respect de ces consignes.



⚠ AVERTISSEMENT : L'utilisation d'un outil électrique peut provoquer la projection d'objets étrangers dans vos yeux, ce qui peut provoquer des lésions oculaires graves. Avant de mettre un outil électrique en marche, portez toujours un masque de sécurité ou des lunettes de sécurité avec boucliers latéraux, ou un masque facial intégral quand cela est nécessaire. Nous vous recommandons de porter un Masque de Sécurité à Vision Panoramique par-dessus des lunettes de vue ou des lunettes de sécurité standards avec boucliers latéraux.

CONSIGNES DE SÉCURITÉ

Cette page décrit des symboles de sécurité pouvant être présents sur le produit. Lisez, comprenez et respectez toutes les instructions présentes sur l'outil avant d'essayer de l'assembler et de l'utiliser.

	Rester vigilant	Précautions concernant votre sécurité.
	Porter une protection oculaire	Toujours porter un masque de sécurité ou des lunettes de sécurité avec boucliers latéraux et un masque facial intégral lors de l'utilisation de ce produit.
	Porter une protection auditive	Toujours porter une protection auditive pendant l'utilisation de ce produit.
	Lire le manuel d'utilisation	Pour réduire le risque de blessures, l'utilisateur doit lire et comprendre le manuel d'utilisation avant d'utiliser ce produit.
	Maintenir les autres personnes éloignées	Maintenir toutes les autres personnes éloignées d'au moins 15m.
	Construction de classe II	Construction à double isolation.
	Ne pas exposer à l'eau	Ne pas utiliser sous la pluie et ne pas laisser dehors quand il pleut.
V	Volt	Tension
A	Ampères	Courant

Hz	Hertz	Fréquence (cycles par seconde)
W	Watt	Puissance
min	Minutes	Durée
m ³ /h	Mètres cubes par heure	Volume d'air
km/h	Kilomètres par heure	Vitesse de l'air
	Courant alternatif	Type de courant
	Courant continu	Type ou caractéristique du courant
n ₀	Régime à vide	Vitesse de rotation sans charge
.../min	Par minute	Tours par minute

Lors de l'utilisation d'un appareil électrique, des précautions élémentaires doivent toujours être respectées, parmi lesquelles :

CONSIGNES DE SÉCURITÉ GÉNÉRALES POUR LES OUTILS ÉLECTRIQUES

⚠ AVERTISSEMENT : Lisez toutes les mises en garde, consignes de sécurité et instructions. Ne pas respecter les consignes de sécurité et les instructions peut provoquer un choc électrique, un incendie et/ou des blessures graves.

Conservez tous les consignes de sécurité et toutes les instructions pour consultation ultérieure.

Le terme « outil électrique » utilisé dans les consignes de sécurité désigne votre outil électrique fonctionnant sur le secteur (filaire) ou sur batterie (sans fil).

SÉCURITÉ DE L'AIRE DE TRAVAIL

- **Maintenez l'aire de travail propre et bien rangée.** Les aires de travail en désordre ou mal éclairées augmentent les risques d'accident.
- **N'utilisez pas les outils électriques dans une atmosphère explosive, par exemple en présence de liquides inflammables, d'essence ou de poussières inflammables.** Les outils électriques génèrent des étincelles pouvant enflammer poussières et vapeurs.
- **Veillez à ce que les enfants et les autres personnes restent éloignés quand vous utilisez un outil électrique.** Un moment d'inattention peut vous faire perdre le contrôle de l'outil.

SÉCURITÉ ÉLECTRIQUE

- **La fiche de l'outil électrique doit correspondre à la prise électrique. Ne modifiez jamais la fiche de quelque manière que ce soit. N'utilisez jamais d'adaptateur de prise avec les outils électriques pourvus d'une mise à la terre ou à la masse.** Les fiches non modifiées et les prises électriques appropriées réduisent le risque de choc électrique.
- **Évitez tout contact physique avec des surfaces mises à la terre ou mises à la masse, telles que tuyaux, radiateurs, fours et réfrigérateurs.** Il y a un risque accru de choc électrique si votre corps est relié à la terre ou à la masse, directement ou indirectement.
- **N'exposez pas les outils électriques à la pluie ou à un environnement mouillé.** Si de l'eau pénètre dans un outil électrique, cela accroît le risque de choc électrique.
- **Ne maltraitez pas le cordon d'alimentation. Ne l'utilisez jamais pour porter, tirer ou débrancher l'outil électrique. Veillez à ce qu'il n'entre jamais en contact avec de l'huile, des pièces mobiles, des arêtes tranchantes, et ne soit jamais exposé à de la chaleur.** Les cordons d'alimentation endommagés ou emmêlés augmentent le risque de choc électrique.
- **Quand vous utilisez un outil électrique en extérieur, utilisez une rallonge électrique adaptée à un usage en extérieur.** L'utilisation d'une rallonge conçue pour un usage en extérieur permet de réduire le risque de choc électrique.
- **S'il est impossible d'éviter d'utiliser un outil électrique dans un endroit humide, utilisez une alimentation protégée par un disjoncteur de fuite à la terre (DDFT).** L'utilisation d'un DDFT réduit le risque de choc électrique.

SÉCURITÉ DES PERSONNES

- **Restez vigilant, soyez attentif à ce que vous faites et faites preuve de bon sens lors de l'utilisation d'un outil électrique. N'utilisez pas un outil électrique quand vous êtes fatigué, sous l'emprise de l'alcool, de stupéfiants ou de médicaments.** Un moment d'inattention pendant l'utilisation d'un outil électrique peut provoquer des blessures corporelles graves.
- **Utilisez des équipements de protection individuelle. Portez toujours une protection oculaire.** L'utilisation d'équipements de protection appropriés aux conditions de travail, tels que masque antipoussières, chaussures de sécurité antidérapantes, casque et protections auditives, permet de réduire les risques de blessures corporelles.

FR

- Évitez les démarrages accidentels. Vérifiez que l'interrupteur marche/arrêt est dans la position arrêt avant de brancher l'outil dans une prise électrique et/ou une batterie, de le saisir ou de le transporter. Transporter un outil électrique les doigts sur son interrupteur marche/arrêt ou le brancher dans une alimentation électrique alors que son interrupteur marche/arrêt est dans la position marche favorise les accidents.
- Retirez les clés de réglage et de serrage avant de mettre l'outil en marche. Une clé de réglage ou de serrage laissée sur une pièce rotative de l'outil électrique peut provoquer des blessures corporelles.
- N'essayez pas d'atteindre des endroits difficiles à atteindre. Ayez toujours des appuis des pieds solides et conservez constamment un bon équilibre. Cela vous garantit un meilleur contrôle de l'outil électrique en cas de situations inattendues.
- Portez une tenue appropriée. Ne portez pas de vêtement ample ni de bijou. Maintenez vos cheveux, vêtements et gants éloignés des pièces mobiles. Les vêtements amples, les bijoux et les cheveux longs peuvent se prendre dans les pièces mobiles.
- Si un outil est conçu pour être utilisé avec des dispositifs d'extraction et de récupération des poussières, veillez à ce que ces dispositifs soient raccordés et correctement utilisés. L'utilisation de dispositifs de récupération des poussières permet de réduire les dangers liés aux poussières.
- Rangez les outils électriques non utilisés hors de portée des enfants. Ne laissez aucune personne non familiarisée avec l'outil électrique ou ce manuel d'utilisation l'utiliser. Les outils électriques sont dangereux dans les mains de personnes inexpérimentées.
- Entretenez les outils électriques. Inspectez-les pour vérifier qu'aucune pièce mobile n'est grippée ou mal alignée, qu'aucune pièce n'est cassée, et pour tout autre problème qui pourrait affecter leur fonctionnement. Si un outil électrique est endommagé, il doit être réparé avant d'être utilisé. Beaucoup d'accidents sont dus à des outils électriques mal entretenus.
- Veillez à ce que les accessoires de coupe restent affûtés et propres. Des accessoires de coupes bien entretenus et bien affûtés risquent moins de se coincer et facilitent le contrôle de l'outil.
- Utilisez l'outil électrique, ses accessoires, mèches/embouts et toutes les autres pièces conformément aux présentes instructions, en prenant en compte les conditions d'utilisation et le travail à effectuer. Utiliser l'outil électrique à d'autres finalités que celles pour lesquelles il a été conçu peut engendrer des situations dangereuses.

UTILISATION ET ENTRETIEN DES OUTILS ALIMENTÉS PAR BATTERIE

UTILISATION ET ENTRETIEN DES OUTILS ÉLECTRIQUES

- Ne forcez pas l'outil électrique. Utilisez l'outil électrique adapté au travail à effectuer. L'utilisation d'un outil approprié au travail à effectuer permet d'effectuer ce travail plus efficacement, avec une sécurité accrue et au rythme pour lequel l'outil a été conçu.
- N'utilisez pas un outil électrique si son interrupteur marche/arrêt ne permet plus de l'allumer ou de l'éteindre. Tout outil électrique qui ne peut pas être contrôlé par son interrupteur marche/arrêt est dangereux et doit être réparé.
- Débranchez la fiche électrique de la prise secteur et/ou retirez la batterie de l'outil électrique avant de procéder à des réglages, de changer des accessoires ou de ranger l'outil électrique. Cette mesure de sécurité préventive réduit le risque de démarrage accidentel de l'outil électrique.
- La batterie ne doit être rechargée qu'avec le chargeur spécifié par le fabricant. Un chargeur adapté à un type de batterie peut présenter un risque d'incendie s'il est utilisé avec une batterie différente.
- Utilisez les outils électriques exclusivement avec les batteries spécifiées. L'utilisation de toute autre batterie peut créer un risque de blessures et d'incendie.
- Quand la batterie n'est pas utilisée, elle doit être rangée loin de tout objet métallique, tel que trombone, pièce de monnaie, clef, clou, vis et tout autre petit objet métallique qui risquerait de mettre en contact ses bornes. Court-circuiter les bornes de la batterie peut provoquer des brûlures et un incendie.
- Si la batterie est soumise à des conditions d'utilisation excessives, du liquide peut s'en échapper. Évitez tout contact avec ce liquide. En cas de contact accidentel, rincez à grande eau. En cas de contact avec les yeux, vous devez en outre consulter un médecin. Le liquide qui s'échappe de la batterie peut provoquer des irritations et des brûlures.

RÉPARATION

- **Faites réparer votre outil électrique par un réparateur qualifié qui ne doit utiliser que des pièces de rechange identiques.** Cela permet de préserver la sécurité d'utilisation de l'outil.

LISEZ TOUTES LES INSTRUCTIONS AVANT D'UTILISER CE PRODUIT !

ENTRAÎNEMENT

- **Lisez attentivement le manuel d'utilisation.** Familiarisez-vous avec les commandes et l'utilisation correcte de l'outil.
- **N'autorisez jamais les enfants, les personnes dont les capacités physiques, sensorielles ou mentales sont réduites, les personnes manquant d'expérience et de connaissance, et les personnes non familiarisées avec ce manuel d'utilisation à utiliser l'outil.**
- **Ne laissez jamais des personnes non familiarisées avec les présentes instructions utiliser l'outil.** Les réglementations locales peuvent définir un âge minimal pour l'opérateur.
- **N'utilisez jamais l'outil si des personnes, notamment des enfants, ou des animaux de compagnies sont à proximité.**
- **L'opérateur ou l'utilisateur est responsable des accidents ou dommages causés à des tiers ou à leurs biens.**

PrÉparation

- **Quand vous utilisez cet outil, portez toujours des chaussures protectrices et des pantalons longs.**
- **Ne portez pas de vêtements amples ni de bijoux, car ils peuvent être aspirés dans les entrées d'air.** Veillez à ce que les cheveux longs restent éloignés des entrées d'air.
- **Portez des lunettes de protection pendant l'utilisation.**
- **Il est recommandé de porter un masque facial pour prévenir les irritations dues aux poussières.**
- **Avant utilisation, inspectez les batteries pour vérifier qu'elles ne sont pas endommagées.** N'utilisez pas l'outil si les batteries sont endommagées.
- **N'utilisez jamais l'outil si ses protections et boucliers sont défectueux, ou sans ses dispositifs de sécurité, par exemple si son sac collecteur n'est pas assemblé.**

Utilisation

■ Débranchez les batteries :

1. À chaque fois que vous laissez l'outil sans surveillance.
2. Avant d'éliminer un bourrage.
3. Avant d'inspecter, de nettoyer ou de travailler sur l'outil.
4. Si l'outil se met à vibrer anormalement.

■ Utilisez l'outil exclusivement à la lumière du jour ou sous une lumière artificielle suffisante.

- **N'essayez jamais d'atteindre des endroits difficiles à atteindre et gardez toujours un bon équilibre.**
- **Ayez toujours des appuis sûrs sur les pentes.**
- **Marchez, ne courez jamais.**
- **Veillez à ce que toutes les ouïes de refroidissement restent toujours libres de tout débris.**
- **Ne soufflez jamais de débris en direction d'une autre personne.**
- **Il est recommandé d'utiliser l'outil uniquement à des horaires raisonnables – Ne l'utilisez pas tôt le matin ou tard le soir, car cela peut déranger vos voisins.**
- **Il est recommandé de décoincer les débris avec un râteau et un balai avant de les souffler.**
- **Il est recommandé de légèrement humidifier les surfaces des environnements poussiéreux ou d'utiliser un accessoire de brumisation.**

⚠ AVERTISSEMENT : Danger dû aux pièces rotatives !

- **Utilisez tous les tubes d'extension de soufflage pour que le jet d'air soit projeté près du sol.**
- **N'utilisez pas l'outil près de fenêtres ouvertes, etc.**

ENTRETIEN ET STOCKAGE

- **Veillez à ce que tous les écrous, vis et boulons soient bien serrés pour garantir que l'outil est en bon état de marche.**
- **Inspectez fréquemment le sac collecteur pour vérifier qu'il n'est ni usé ni détérioré.**
- **Changez les pièces usées ou endommagées.**
- **Utilisez exclusivement des pièces de rechange et des accessoires d'origine.**
- **Rangez l'outil uniquement dans un endroit sec.**

⚠ AVERTISSEMENT : Pour garantir la sécurité et la fiabilité, toutes les réparations doivent être effectuées par un réparateur qualifié.

FR

⚠ AVERTISSEMENT : Pour réduire les risques d'incendie, de choc électrique ou de blessures : **IMPORTANT : LIRE ATTENTIVEMENT AVANT UTILISATION. CONSERVER POUR CONSULTATION ULTÉRIEURE.**

- **Connaissez votre souffleur électrique. Lisez attentivement le manuel d'utilisation. Apprenez quelles sont les applications et les limites du souffleur, ainsi que les dangers potentiels spécifiques intrinsèques à ce souffleur.** Respecter cette règle permet de réduire les risques de choc électrique, d'incendie et de blessures graves.
- **N'exposez pas le souffleur à la pluie ni à des environnements mouillés.** Si de l'eau pénètre dans un souffleur, cela accroît le risque de choc électrique.
- **Veillez à ce que le souffleur ne soit pas utilisé comme un jouet.** Une supervision étroite est nécessaire quand l'outil est utilisé par ou près d'enfants.
- **Utilisez l'outil exclusivement de la manière décrite dans ce manuel d'utilisation. Utilisez exclusivement les accessoires préconisés par le fabricant.**
- **Si le souffleur ne fonctionne pas comme il devrait, s'il est tombé, s'il a été endommagé, s'il a été laissé à l'extérieur ou s'il est tombé dans de l'eau, apportez-le à un centre de réparation.**
- **Ne manipulez pas le chargeur, y compris sa fiche, ni les contacts du chargeur avec les mains mouillées.**
- **N'insérez aucun objet dans aucune ouverture. N'utilisez pas le produit si l'une de ses ouvertures est bouchée. Maintenez toutes les ouvertures exemptes de poussières, peluches, cheveux/poils et de tout ce qui pourrait réduire le flux d'air.**
- **Veillez à ce que vos cheveux, vêtements amples, doigts et toutes les parties de votre corps restent éloignés des ouvertures et pièces mobiles de l'outil.** Les vêtements amples, les bijoux et les cheveux longs peuvent être aspirés dans les ouvertures de passage de l'air.
- **Attachez les cheveux longs au-dessus des épaules pour éviter qu'ils ne se prennent dans les pièces mobiles.**
- **Faites particulièrement attention quand vous nettoyez des escaliers.**
- **Ne rechargez pas la batterie à l'extérieur.**
- **Utilisez exclusivement le chargeur fourni par le fabricant pour recharger.**

- **Ne laissez pas le souffleur sans surveillance quand sa batterie est insérée.** Retirez la batterie quand le souffleur n'est pas utilisé et avant de le réparer/entretenir.
- **N'utilisez pas les souffleurs dans les atmosphères explosives, par exemple en présence de liquides, de gaz ou de poussières inflammables.** Les souffleurs génèrent des étincelles pouvant enflammer poussières et vapeurs.
- **Utilisez le souffleur alimenté par batterie exclusivement avec les batteries spécifiées.** L'utilisation de toute autre batterie peut créer un risque d'incendie.
- Utilisez exclusivement les batteries et les chargeurs listés ci-dessous.

BATTERIE	CHARGEUR
BA1120E, BA2240E, BA2800, BA3360, BA4200	CH5500E, CH2100E

⚠ AVERTISSEMENT :

- La batterie doit être retirée de l'outil avant la mise au rebut.
- La batterie doit être mise au rebut d'une manière sûre.
- **Restez vigilant, soyez attentif à ce que vous faites et faites preuve de bon sens pendant l'utilisation d'un souffleur électrique. N'utilisez pas le souffleur quand vous êtes fatigué, de mauvaise humeur, sous l'emprise de l'alcool, de drogues ou de médicaments.** Un moment d'inattention pendant l'utilisation d'un souffleur peut provoquer des blessures corporelles graves.
- **Évitez les démarrages accidentels. Vérifiez que l'interrupteur marche/arrêt est sur la position arrêt ou verrouillé avant d'insérer la batterie.** Porter un souffleur avec vos doigts sur son interrupteur marche/arrêt ou lorsque sa batterie est insérée dans le souffleur avec l'interrupteur sur la position marche favorise les accidents.
- **Utilisez des équipements de sécurité. Portez toujours une protection oculaire.** Utilisez un masque antipoussières, des chaussures antidérapantes, un casque ou des protections auditives adaptés aux conditions de travail.
- **N'utilisez pas l'outil sur une échelle, un toit, un arbre, ni aucun autre support instable.** Des appuis stables sur une surface solide permettent d'avoir un meilleur contrôle du souffleur en cas de situations inattendues.

- Faites toujours attention à vos pieds et aux enfants et animaux présents lorsque vous retirez la batterie du souffleur. **Si la batterie tombe, cela peut provoquer des blessures graves. Ne retirez JAMAIS la batterie quand l'outil est dans une position haute.**
- **N'utilisez pas le souffleur si son interrupteur marche/arrêt ne permet pas de l'éteindre ou de l'allumer.** Un souffleur qui ne peut pas être contrôlé avec son interrupteur marche/arrêt est dangereux et doit être réparé.
- **Déconnectez la batterie du souffleur avant d'effectuer un réglage, de changer un accessoire ou de ranger le souffleur.** Cette mesure préventive de sécurité permet de réduire le risque de démarrage accidentel du souffleur.
- **Positionnez tous les interrupteurs/commandes de l'outil sur leur position d'arrêt avant de retirer la batterie.**
- **N'ESSAYEZ PAS** d'enlever des bourrages de l'outil sans avoir d'abord retiré la batterie.
- **Contrôlez le souffleur pour vérifier qu'aucune pièce mobile n'est grippée ou mal alignée, qu'aucune pièce n'est cassée, et pour tout autre problème qui pourrait affecter son fonctionnement. Si une pièce est endommagée, faites réparer le souffleur avant de le réutiliser.** De nombreux accidents sont dus à des souffleurs mal entretenus.
- **Veillez à ce que le souffleur et sa poignée restent propres, secs et exempts d'huile et de graisse.** Utilisez toujours un chiffon propre pour nettoyer l'outil. N'utilisez jamais de liquide de frein, d'essence, de produit à base de pétrole, ni de solvant puissant pour nettoyer votre souffleur. Respecter cette règle permet de réduire le risque de perte de contrôle et de détérioration du plastique du boîtier.
- **Portez toujours des lunettes de sécurité avec boucliers latéraux.** Les lunettes de vue quotidiennes ne sont pourvues que de verres résistants aux chocs. CE NE SONT PAS des lunettes de sécurité. Respecter cette règle permet de réduire le risque de blessure oculaire.
- **Protégez vos poumons. Portez un masque antipoussière ou un masque facial si le travail génère des poussières.** Respecter cette règle permet de réduire le risque de blessures corporelles graves.
- **Protégez vos capacités auditives. Portez des protections auditives lors des utilisations prolongées de l'outil.** Respecter cette règle permet de réduire le risque de blessures corporelles graves.
- **Les souffleurs alimentés par batterie n'ont pas à être branchés dans une prise électrique, ils sont donc toujours prêts à fonctionner. Soyez conscient qu'il y a des dangers potentiels quand vous n'utilisez pas votre souffleur alimenté par batterie et lors du changement des accessoires.** Respecter cette règle permet de réduire les risques de choc électrique, d'incendie et de blessures corporelles graves.
- **Portez des pantalons longs et épais, des manches longues, des chaussures montantes et des gants.** Évitez les vêtements amples et les bijoux, car ils peuvent se prendre dans les pièces mobiles de l'outil et de son moteur.
- **N'utilisez pas l'outil pieds nus ou en portant des sandales ou des chaussures légères similaires.** Portez des chaussures protectrices capables de protéger vos pieds et d'améliorer vos appuis sur les surfaces glissantes.
- **Les batteries peuvent exploser en présence d'une source d'embrasement, par exemple une flamme pilote.** Pour réduire le risque de blessure corporelle grave, n'utilisez jamais aucun produit sans fil en présence d'une flamme nue. Une batterie qui explose peut projeter des débris et des substances chimiques. En cas d'exposition, rincez immédiatement à grande eau.
- **Ayez toujours un bon équilibre et des appuis fermes. N'essayez pas d'atteindre des endroits difficiles à atteindre.** Cela peut vous faire perdre l'équilibre.
- **Inspectez l'aire de travail avant chaque utilisation.** Retirez tous les objets pouvant s'emmêler dans l'outil ou être projetés par l'outil, par exemple les pierres, les morceaux de verre, les clous, les fils métalliques, les ficelles, etc.
- **Ne dirigez pas le tube du souffleur vers une personne ou un animal.**
- **Ne faites jamais fonctionner l'outil sans l'équipement approprié attaché.** Veillez toujours à ce que le tube du souffleur soit assemblé.
- **Quand vous n'utilisez pas le souffleur, rangez-le en intérieur, dans un endroit sec, sûr et hors de portée des enfants.**
- **Maintenez toutes les autres personnes, les enfants et les animaux éloignés d'au moins 15m.**
- **Le souffleur ne doit être réparé que par des réparateurs qualifiés.** Les réparations et opérations de maintenance effectuées par une personne non qualifiée créent des risques de blessures.
- **Le souffleur ne doit être réparé qu'avec des pièces de rechange identiques.** Respectez les instructions du chapitre Entretien de ce manuel d'utilisation. L'utilisation de pièces non autorisées ou le non-respect des instructions d'entretien peut créer un risque de choc électrique ou de blessure.

- **N'utilisez jamais le souffleur près de feux ou de cendres chaudes.** L'utilisation près de feux ou de cendres peut provoquer la propagation des flammes et engendrer des blessures graves et/ou des dommages matériels.
- **N'utilisez jamais le souffleur pour répandre des produits chimiques, des engrais, ni aucune autre substance toxique.** Répandre ces substances peut provoquer des blessures graves chez l'opérateur et les autres personnes présentes.
- **Ne placez jamais le souffleur sur aucune surface quand son moteur est en marche à l'exception d'une surface dure et propre.** Le gravier, le sable et d'autres débris peuvent être aspirés dans l'entrée d'air et projetés vers l'opérateur et les autres personnes présentes en provoquant des blessures graves.
- **Conservez ce manuel d'utilisation.** Consultez-le fréquemment et servez-vous-en pour instruire les autres personnes devant utiliser cet outil. Si vous prêtez cet outil à un tiers, prêtez-lui également ce manuel d'utilisation pour éviter l'utilisation incorrecte du produit et des blessures potentielles.

CONSERVEZ CE MANUEL D'UTILISATION !

SPÉCIFICATIONS

Tension	56V
Régime à vide	Turbo : 23000 /min
	Haut : 18000 /min
	Bas : 10000 /min
Volume d'air	Turbo : 900 m³/h
	Haut : 675 m³/h
	Bas : 440 m³/h
Vitesse de l'air	Turbo : 176 km/h
	Haut : 136 km/h
	Bas : 80 km/h
Autonomie approximative (avec la batterie EGO 2,5 Ah)	10 minutes (Turbo)
	23 minutes (Vitesse haute)
	75 minutes (Vitesse basse)
Poids du souffleur (sans batterie)	2,18 kg
Niveau de puissance acoustique mesuré L_{WA}	97 dB(A) $K_{WA}=2,5$ dB(A)

Niveau de pression acoustique au niveau des oreilles de l'opérateur L_{PA}	81,8 dB(A) $K_{PA}=2,5$ dB(A)
Niveau de puissance acoustique garanti L_{WA} (conformément à la norme 2000/14/CE)	100 dB(A)
Vibration a_h	1,351 m/s ² $K=1,5$ m/s ²

- La valeur totale des vibrations indiquée a été mesurée selon une procédure conforme à une méthode de test standardisée et peut servir pour comparer différents outils.
- La valeur totale des vibrations indiquée peut également servir pour effectuer une première évaluation de l'exposition.

REMARQUE : L'émission de vibrations pendant l'utilisation réelle de l'outil électrique est fonction de la manière dont il est utilisé et peut différer de la valeur indiquée. Pour se protéger, l'opérateur doit porter des gants et un casque antibruit dans les conditions actuelles d'utilisation.

CONTENU DE L'EMBALLAGE

NOM DE PIÈCE	QUANTITÉ
Souffleur	1
Tube de soufflage	1
Buse plate de souffleur	1
Manuel d'utilisation	1

DESCRIPTION

DESCRIPTION DE VOTRE SOUFFLEUR (Image A)

1. Bouton de déblocage de la batterie
2. Poignée surmoulée
3. Interrupteur-gâchette
4. Bouton Turbo
5. Bouton de réglage de la vitesse de l'air
6. Bouton de déverrouillage du tube
7. Tube de soufflage
8. Sortie d'air
9. Entrée d'air
10. Mécanisme d'éjection
11. Rainure d'assemblage
12. Contacts électriques
13. Loquet
14. Boucle pour sangle d'épaule

⚠ AVERTISSEMENT : L'utilisation sécurisée de ce produit nécessite de comprendre les informations présentes sur l'outil et dans ce manuel d'utilisation, ainsi que de connaître le travail que vous voulez effectuer. Avant d'utiliser ce produit, familiarisez-vous avec toutes ses fonctions et toutes les consignes de sécurité.

UTILISATION

⚠ AVERTISSEMENT : Veillez à ne pas devenir moins prudent au fur et à mesure que vous vous familiarisez avec cet outil. Gardez à l'esprit qu'une seconde d'inattention peut suffire pour provoquer des blessures graves.

⚠ AVERTISSEMENT : N'essayez jamais de modifier l'outil ni de créer des accessoires non recommandés pour être utilisés avec ce souffleur. De tels modifications et changements constituent une utilisation impropre et peuvent engendrer des situations dangereuses.

⚠ AVERTISSEMENT : Retirez toujours la batterie du produit avant d'assembler des pièces, d'effectuer une opération de réglage ou de nettoyage, et lorsque vous n'utilisez pas le produit. Retirer la batterie permet de prévenir un démarrage accidentel pouvant provoquer des blessures corporelles graves.

Avant chaque utilisation, inspectez entièrement l'outil pour vérifier qu'aucune pièce n'est endommagée, manquante ou desserrée, par exemple les vis, écrous, boulons, capuchons, etc. Resserrez fermement toutes les fixations et fixez solidement tous les capuchons. N'utilisez pas ce produit tant que toutes les pièces manquantes ou endommagées n'ont pas été remplacées.

APPLICATION

Vous pouvez utiliser ce produit pour les usages listés ci-dessous :

- Nettoyer des surfaces dures telles que les voies d'accès et les allées.
- Maintenir les terrasses et les voies d'accès exemptes de feuilles et d'aiguilles de pin.

REMARQUE : L'outil ne doit être utilisé qu'à la finalité spécifiée pour lui. Tout autre usage est considéré impropre.

ASSEMBLER/RETIRER LE TUBE DE SOUFFLAGE

■ Assemblage (Image B)

Alignez la rainure et poussez le tube sur le boîtier du souffleur jusqu'à entendre un déclic.

■ Retrait (Image C)

Appuyez sur le bouton de déblocage du tube et tirez le tube hors du boîtier.

INSTALLER/RETIRER LA BATTERIE (Image D)

Rechargez la batterie avant la première utilisation.

■ Installation

Alignez les arêtes de la batterie avec les rainures d'assemblage et appuyez la batterie vers le bas jusqu'à entendre un déclic.

■ Retrait

Appuyez sur le bouton de déblocage de la batterie et tirez la batterie hors de l'outil.

⚠ AVERTISSEMENT : Soyez toujours conscient de la position de vos pieds, des enfants et des animaux lorsque vous appuyez sur le bouton de déblocage de la batterie. Si la batterie tombe, cela peut provoquer des blessures graves. Ne retirez JAMAIS la batterie dans une position haute.

ALLUMER/ÉTEINDRE LE SOUFFLEUR (Image E)

■ Allumer l'outil

Appuyez sur l'interrupteur-gâchette et maintenez-le appuyé. Après un court instant, le souffleur se met en marche.

■ Arrêter l'outil

Relâchez l'interrupteur-gâchette.

RÉGLER LA VITESSE DE L'AIR

■ Augmenter/Réduire la vitesse de l'air

Tournez le bouton de réglage de la vitesse de l'air dans le sens horaire/antihoraire.

■ Augmenter la vitesse de l'air

Appuyez sur le bouton Turbo pour utiliser la vitesse de l'air maximale.

REMARQUE : Quand vous relâchez le bouton Turbo, le souffleur reprend la vitesse précédente.

UTILISER LE SOUFFLEUR

- Pour éviter d'éparpiller les débris, soufflez autour des bords externes du tas de débris. Ne soufflez jamais directement au centre d'un tas.
- Afin de réduire le niveau sonore, limitez le nombre d'outils utilisés au même moment.
- Avant d'utiliser l'outil, décoincez les débris avec un râteau et un balai. Dans les environnements poussiéreux, humidifiez légèrement les surfaces avec de l'eau si disponible.

- Économisez l'eau en utilisant des pulvérisateurs électriques au lieu de tuyaux pour de nombreuses applications dans les jardins et pelouses, y compris dans les zones telles que les caniveaux, paravents, grilles, patios, porches et jardins.
- Faites attention aux enfants, animaux de compagnie, fenêtres ouvertes et voitures récemment nettoyées. Soufflez les débris en les éloignant d'une manière non dangereuse.
- Après avoir utilisé un souffleur ou un autre outil, nettoyez-le ! Mettez les débris au rebut d'une manière appropriée.

ENTRETIEN

⚠ AVERTISSEMENT : L'outil ne doit être réparé qu'avec des pièces de rechange identique. L'utilisation de toute autre pièce peut créer un danger ou détériorer le produit. Pour garantir la sécurité et la fiabilité, toutes les réparations doivent être effectuées par un réparateur qualifié.

⚠ AVERTISSEMENT : Afin de vous prémunir contre des blessures corporelles graves, retirez toujours la batterie de l'outil avant de le nettoyer ou de l'entretenir.

ENTRETIEN GÉNÉRAL

N'utilisez pas de solvant pour nettoyer les pièces en plastique. La plupart des plastiques peuvent être détériorés par de nombreux solvants différents vendus dans le commerce. Utilisez des chiffons propres pour enlever les saletés, les poussières, l'huile, la graisse, etc.

⚠ AVERTISSEMENT : Veillez à ce que les pièces en plastique de l'outil n'entrent jamais en contact avec du liquide de frein, de l'essence, des produits à base de pétrole, du dégrissant, etc. Les produits chimiques peuvent endommager, fragiliser ou détruire les pièces en plastique, ce qui peut provoquer des blessures corporelles graves.

RANGEMENT

- Enlevez toutes les matières étrangères des entrées d'air du souffleur.
- Rangez l'outil en intérieur dans un endroit inaccessible aux enfants. Veillez à ce qu'il reste éloigné des produits corrosifs, par exemple des produits chimiques de jardinage et des sels de déverglaçage.

Protection de l'environnement



Ne jetez pas les équipements électriques, les chargeurs de batterie, les batteries rechargeables et les piles avec les ordures ménagères !

Conformément à la directive européenne 2012/19/UE, les équipements électriques et électroniques qui ne sont plus utilisables, et conformément à la directive européenne 2006/66/CE, les batteries rechargeables et les accumulateurs usagés ou défectueux doivent être collectés séparément et mis au rebut d'une manière respectueuse de l'environnement.

Si les appareils électriques sont jetés dans des décharges ou des dépôts d'ordures, des substances dangereuses peuvent s'infiltrer jusque dans la nappe phréatique et entrer dans la chaîne alimentaire, avec un effet néfaste sur votre santé et votre bien-être.

DÉCLARATION DE CONFORMITÉ CE

Nous, CHERVON EUROPE LTD.

47 CASTLE STREET, READING, RG1 7SR, UNITED KINGDOM

Déclarons que le souffleur sans fil **lithium-ion 56 V LB5300E** satisfait aux exigences sanitaires et de sécurité essentielles des directives suivantes :

2006/42/CE, 2004/108/CE, 2011/65/UE, 2000/14/CE

Normes et spécifications techniques applicables :

EN60335-1, EN50636-2-100, EN62233, EN55014-1, EN55014-2

Niveau de puissance acoustique mesuré : 97 dB(A).

Niveau de puissance acoustique garanti : 100 dB(A).

Peter Melrose
Vice-Président de Chervon Europe

Dong Jianxun
Directeur Qualité de Chervon

* (Représentant autorisé par CHERVON et responsable de la documentation technique)

01/01/2016



DÉPANNAGE

PROBLÈME	CAUSE	SOLUTION
Le souffleur ne fonctionne pas.	<ul style="list-style-type: none">■ La batterie n'est pas insérée dans le souffleur.■ Il n'y a pas de contact électrique entre le souffleur et la batterie.■ La batterie est déchargée.■ La batterie ou le souffleur est trop chaud.	<ul style="list-style-type: none">■ Insérez la batterie dans le souffleur.■ Retirez la batterie, inspectez les contacts, puis réinsérez la batterie.■ Rechargez la batterie.■ Laissez la batterie et le souffleur refroidir jusqu'à ce que leur température devienne inférieure à 67 °C.
La vitesse de l'air baisse de manière significative.	<ul style="list-style-type: none">■ La turbine du moteur est excessivement usée.■ L'entrée d'air est bouchée par des débris.	<ul style="list-style-type: none">■ Contactez un centre de réparation EGO pour faire réparer l'outil.■ Retirez la batterie de l'outil et enlevez les débris.

FR

GARANTIE

POLITIQUE DE GARANTIE EGO

Rendez-vous sur le site Internet egopowerplus.com pour consulter les termes et conditions complets de la politique de garantie EGO.

LEA TODAS LAS INSTRUCCIONES!



ASEGÚRESE DE LEER Y ENTENDER PERFECTAMENTE EL MANUAL DE INSTRUCCIONES

AVISO: Estas instrucciones están disponibles también en un formato alternativo, por ejemplo, en una página web.

ES

⚠ Riesgo residual! Aquellas personas con implantes electrónicos, tales como marcapasos, deberán consultar a su médico antes de utilizar este producto. La utilización de equipos eléctricos a proximidad de un marcapasos podría causar en este interferencias o averías.

⚠ ADVERTENCIA: Para garantizar la seguridad y fiabilidad de la herramienta, confíe cualquier reparación y sustitución de piezas que sea necesaria a personal técnico cualificado.

SÍMBOLOS RELACIONADOS CON LA SEGURIDAD

El propósito de los símbolos de seguridad es el de atraer su atención hacia los posibles peligros que conlleva la utilización del producto. Los símbolos de seguridad y las explicaciones que los acompañan requieren su máxima atención y comprensión. Por sí solos, los símbolos de advertencia no eliminan los posibles peligros que pudieran existir. Las instrucciones y advertencias que aquí se incluyen no son sustitutas en modo alguno de las medidas de prevención adecuadas que deben tomarse para evitar posibles accidentes.

⚠ ADVERTENCIA: Antes de utilizar esta herramienta, asegúrese de haber leído y entendido perfectamente todas las instrucciones incluidas en este Manual del usuario, incluidos todos los símbolos de aviso sobre seguridad, tales como “**PELIGRO**”, “**ADVERTENCIA**” y “**PRECAUCIÓN**”. De no observarse todas las instrucciones proporcionadas a continuación podría existir un riesgo de incendio, electrocución, así como de lesiones físicas graves.

MENSAJES INFORMATIVOS Y DE PREVENCIÓN DE DAÑOS

Proporcionan al usuario información y/o instrucciones importantes que, de ignorarse, podrían dañar la herramienta o provocar daños materiales. Cada mensaje va precedido por la palabra “**AVISO**”; según se muestra en el ejemplo siguiente:

AVISO: De no observarse estas instrucciones podrán producirse daños materiales o en la herramienta.



⚠ ADVERTENCIA: Es posible que, cuando se utilizan herramientas eléctricas, salgan despedidos objetos que podrían causar lesiones oculares severas si no se utiliza equipo de protección personal adecuado. Antes de empezar a usar herramientas eléctricas, póngase siempre gafas de seguridad, gafas con cristales anti-impacto que cuenten con pantallas de protección lateral, o bien una máscara facial que proteja completamente la cara. Recomendamos la utilización de máscaras de seguridad de amplia visión que pueden utilizarse encima de gafas graduadas, o bien gafas normales de seguridad equipadas con pantallas laterales.

INSTRUCCIONES RELACIONADAS CON LA SEGURIDAD

Esta página muestra y describe los símbolos de seguridad que puede haber en este producto. Asegúrese de leer, entender perfectamente y observar todas las instrucciones estampadas o proporcionadas con el producto antes de proceder a su montaje y utilización.

	Aviso de seguridad	Se trata de precauciones relacionadas con su seguridad.
	Utilizar protección ocular	Utilice siempre utilice gafas de seguridad, gafas con cristales anti-impacto que cuenten con pantallas de protección lateral, o bien una máscara facial que proteja completamente la cara cuando se sirva de este producto.
	Utilizar protección auditiva	Utilice siempre protección auditiva cuando se sirva de este producto.
	Leer el Manual del usuario	Para reducir en lo posible el riesgo de lesiones, será necesario leer y entender perfectamente el Manual del usuario antes de proceder a utilizar este producto.
	Mantener a terceros apartados de la zona donde se esté utilizando la herramienta	Mantenga a terceros a una distancia de seguridad mínima de 15m de la zona donde se esté utilizando la herramienta.

	Protección de la carcasa perteneciente a la Clase II	Carcasa con doble aislamiento.
	No exponer la herramienta a la humedad.	No utilice la herramienta bajo la lluvia ni la deje a la intemperie cuando esté lloviendo.
V	Voltios	Tensión
A	Amperios	Corriente
Hz	Hercios	Frecuencia (ciclos por segundo)
W	Vatios	Potencia eléctrica
min	Minutos	Tiempo
m ³ /h	Metros cúbicos/hora	Caudal de aire
km/h	Kilómetros/hora	Velocidad del aire soplado
	Corriente alterna	Tipo de corriente
	Corriente continua	Tipo o característica de la corriente
n ₀	Velocidad en vacío	Velocidad de giro, sin carga
... /min	Por minuto	Revoluciones por minuto

Cuando se utilicen herramientas eléctricas, deberán observarse siempre ciertas precauciones básicas, incluidos los puntos indicados a continuación:

MEDIDAS DE SEGURIDAD GENERALES DE LA HERRAMIENTA ELÉCTRICA

⚠ ADVERTENCIA: Lea todas las instrucciones y advertencias relacionadas con la seguridad que se indican a continuación. De no observarse las instrucciones y advertencias de seguridad podría existir un riesgo de incendio, electrocución y/o lesiones físicas de importancia.

Conserve todas las instrucciones y advertencias para futuras consultas.

El término "herramientas eléctricas" que aparece en las advertencias se refiere tanto a aquellas herramientas que funcionan conectadas a la red eléctrica (mediante cable) como a aquellas otras que funcionan con acumuladores (inalámbricas).

SEGURIDAD EN LA ZONA DE TRABAJO

- **Mantenga la zona de trabajo limpia y bien iluminada.** Aquellas áreas desordenadas o insuficientemente iluminadas son más propensas a accidentes.
- **No utilice herramientas eléctricas en entornos explosivos, por ejemplo, en presencia de gasolina, o bien de líquidos, gases o polvo inflamables.** Las herramientas eléctricas generan chispas que podrían actuar como detonante de vapores y partículas de polvo inflamables.
- **Mantenga a niños y demás personas a una distancia prudente mientras utiliza herramientas eléctricas.** Cualquier distracción podría hacerle perder el control de la herramienta.

ES

SEGURIDAD ELÉCTRICA

- **Los enchufes de las herramientas eléctricas deberán coincidir con el tipo de toma de corriente donde vayan a conectarse. Nunca modifique los enchufes en modo alguno. Nunca utilice enchufes adaptadores o ladrones de corriente con herramientas eléctricas equipadas con conexión a tierra.** Unos enchufes sin modificar y que coincidan perfectamente con sus tomas de corriente reducirán enormemente los riesgos de electrocución.
- **Evite cualquier contacto corporal con superficies conectadas a tierra tales como tuberías, radiadores, hornillos eléctricos y frigoríficos.** Existirá un mayor riesgo de electrocución si su cuerpo actúa como conductor a tierra con dichos elementos y dispositivos.
- **No exponga las herramientas eléctricas a la acción de la lluvia ni a entornos húmedos.** La penetración de agua en una herramienta eléctrica aumentará el riesgo de electrocución.
- **No maltrate el cable de alimentación eléctrica. Nunca utilice el cable para transportar, arrastrar, o desenchufar la herramienta eléctrica. Mantenga el cable apartado de fuentes de calor, aceite, cantos afilados o elementos móviles.** Unos cables dañados o enredados aumentarán los riesgos de electrocución.
- **Cuando utilice una herramienta eléctrica al aire libre, asegúrese de utilizar alargaderas de corriente especificadas para uso en exteriores.** La utilización de un cable adecuado para uso en exteriores reducirá el riesgo de electrocución.
- **De no poderse evitar la utilización de una herramienta eléctrica en un entorno húmedo, asegúrese de conectarla a una instalación eléctrica equipada con un interruptor de protección diferencial.** La utilización de un interruptor de protección diferencial reducirá el riesgo de electrocución.

SEGURIDAD PERSONAL

- **Manténgase alerta, concéntrese en lo que esté haciendo y utilice siempre su sentido común cuando se sirva de herramientas eléctricas. No utilice herramientas eléctricas si está cansado o se encuentra bajo los efectos de estupefacientes, alcohol o fármacos.** Cualquier momento de descuido durante la utilización de herramientas eléctricas podría dar lugar a lesiones físicas graves.
- **Utilice equipo de protección personal. Utilice siempre protección ocular.** La utilización de equipos de protección tales como mascarillas antipolvo, calzado de seguridad antideslizante, cascos de seguridad o protección auditiva en las circunstancias que así lo requieran reducirá el riesgo de lesiones físicas.
- **Procure evitar la activación fortuita de la herramienta. Asegúrese de que el interruptor de encendido se encuentra en la posición de apagado antes de enchufar la herramienta a la red eléctrica y/o de acoplar el acumulador, así como al recoger o transportar la herramienta.** El hecho de transportar herramientas eléctricas con el dedo apoyado en el gatillo o interruptor de activación, o bien de enchufarlas a una toma de corriente o acoplar su acumulador mientras su interruptor está en la posición de encendido es propicio a causar accidentes.
- **Retire cualquier llave o útil de ajuste antes de poner en marcha la herramienta.** Cualquier llave o útil sujeto a un elemento rotativo de la herramienta eléctrica podría ocasionar lesiones físicas.
- **No se estire demasiado para alcanzar lugares de difícil acceso. Mantenga en todo momento un buen equilibrio y los pies firmemente apoyados en el suelo.** De esta manera, tendrá un mejor control de la herramienta eléctrica en caso de producirse alguna situación inesperada.
- **Utilice ropa adecuada. No lleve puesta ropa holgada ni joyas. Mantenga cabellos, ropa y guantes a una distancia prudente de los elementos móviles de la herramienta.** La ropa holgada, así como las joyas o el pelo largo podrían engancharse en las partes móviles de la herramienta.
- **De suministrarse dispositivos de conexión a extractores y colectores de polvo, asegúrese de conectarlos y utilizarlos de la manera adecuada.** La utilización de dispositivos colectores de polvo podrá reducir notablemente los peligros ocasionados por el polvo.
- **No fuerce las herramientas eléctricas. Utilice la herramienta eléctrica apropiada para el trabajo que vaya a realizar.** La utilización de la herramienta correcta a la velocidad de funcionamiento para la que ha sido diseñada le ayudará a efectuar el trabajo de manera más fácil y segura.
- **No utilice ninguna herramienta eléctrica cuyo interruptor de encendido/apagado no funcione como es debido.** Cualquier herramienta que no pueda controlarse mediante su interruptor, supondrá un peligro y deberá repararse antes de poder utilizarse.
- **Asegúrese siempre de retirar el enchufe de la toma de corriente y/o el acumulador de las herramientas eléctricas antes de ajustarlas, cambiar sus accesorios o guardarlas.** Estas medidas preventivas de seguridad reducirán enormemente el riesgo de que la herramienta pueda activarse de manera fortuita.
- **Almacene las herramientas eléctricas apagadas fuera del alcance de niños y no permita en ningún momento que aquellas personas que no estén lo suficientemente familiarizadas con estas instrucciones o este tipo de herramientas las utilicen.** Las herramientas eléctricas son extremadamente peligrosas en manos de aquellas personas que no cuentan con la debida formación o experiencia para su uso.
- **Lleve a cabo el mantenimiento que sea necesario en sus herramientas eléctricas. Examine las herramientas eléctricas por si alguno de sus elementos móviles estuviera desalineado o doblado, y verifique también que no haya piezas rotas ni se observe ninguna otra condición que pudiera comprometer su funcionamiento correcto. De observarse cualquier tipo de daño, asegúrese de llevar a reparar la herramienta eléctrica antes de utilizarla.** Numerosos accidentes se producen como consecuencia de un mantenimiento deficiente de las herramientas eléctricas.
- **Mantenga las herramientas de corte limpias y afiladas.** El mantenimiento correcto de las herramientas de corte, asegurándose de que sus filos estén bien afilados, las hace menos propensas a atascarse y permite controlarlas con más facilidad.
- **Utilice la herramienta eléctrica, así como sus accesorios, brocas, puntas de destornillador, etc., conforme a lo indicado en estas instrucciones y teniendo siempre en cuenta las condiciones de trabajo, así como la tarea a efectuar.** La utilización de herramientas eléctricas para propósitos distintos a aquellos para los que han sido diseñadas podría suponer un peligro.

UTILIZACIÓN Y CUIDADO DE LAS HERRAMIENTAS ELÉCTRICAS

UTILIZACIÓN Y CUIDADO DEL ACUMULADOR DE LA HERRAMIENTA

- **Recargue la herramienta utilizando únicamente el cargador especificado por el fabricante.** Un cargador adecuado para cierto tipo de acumulador podrá suponer un riesgo de incendio si se utiliza con un acumulador distinto.
- **Utilice únicamente las herramientas eléctricas con acumuladores específicamente diseñados para estas.** La utilización de acumuladores distintos podría suponer un riesgo de lesiones físicas e incendio.
- **Cuando no se esté utilizando el acumulador, manténgalo apartado de objetos metálicos tales como clips para papeles, monedas, llaves, clavos, tornillos, o de cualquier otro objeto metálico pequeño que pudiera provocar un cortocircuito en sus terminales de corriente.** De cortocircuitarse los terminales del acumulador, podrían producirse quemaduras o incendios.
- **En condiciones de uso intensivo, es posible que se produzca una fuga de ácido de los acumuladores. Evite cualquier contacto con dicho electrolito. De producirse cualquier contacto accidental, enjuague la zona corporal afectada con abundante agua. Si el electrolito llegara a penetrar en los ojos, deberá solicitarse atención médica urgente.** El líquido emanado del acumulador podría causar irritación o quemaduras.

REPARACIONES

- **Asegúrese de que las reparaciones que deban efectuarse en sus herramientas eléctricas las lleve a cabo personal técnico cualificado que, además, utilice únicamente piezas de recambio idénticas a las originales.** Solo de este modo podrá garantizarse la seguridad de uso de las herramientas eléctricas.

LEA TODAS LAS INSTRUCCIONES ANTES DE UTILIZAR ESTE PRODUCTO!

FORMACIÓN

- **Lea detenidamente las instrucciones proporcionadas.** Familiarícese con los mandos, así como con la manera correcta de utilizar su herramienta.
- **No permita nunca que utilicen la máquina niños o personas con discapacidades físicas, sensoriales o mentales, o que no cuenten con la experiencia o los conocimientos necesarios, ni quienes no estén familiarizados con estas instrucciones.**

- **Nunca permita que aquellas personas que no estén familiarizadas con estas instrucciones utilicen la herramienta.** En algunos casos, es posible que la legislación local estipule una edad mínima para poder utilizar este tipo de herramientas.
- **Nunca utilice la herramienta cuando haya personas, especialmente niños, o animales domésticos en las inmediaciones de la zona de trabajo.**
- **El operario o usuario de la herramienta será responsable de cualquier accidente o peligro que su utilización pudiera suponer para otras personas o bienes de terceros.**

PREPARATIVOS PRELIMINARES

- **Utilice siempre calzado robusto y pantalones largos cuando se sirva de la herramienta.**
- **No lleve ropa holgada ni joyas que pudieran ser aspiradas a través del conducto de succión de la herramienta.** Si tiene el cabello largo, manténgalo alejado de los conductos de succión de la herramienta.
- **Utilice gafas de protección cuando use la herramienta.**
- **Para evitar posibles irritaciones producidas por el polvo, se recomienda llevar puesta una máscara de protección facial.**
- **Antes de proceder a utilizar la herramienta, asegúrese de examinarla el acumulador por si presentara daños.** No utilice la herramienta si su acumulador está dañado en modo alguno.
- **Nunca utilice la herramienta con sus guardas o pantallas de protección dañadas o sin sus dispositivos de seguridad instalados, como por ejemplo, sin su dispositivo colector en su sitio.**

UTILIZACIÓN

- **Asegúrese siempre de desconectar el acumulador de la herramienta en los siguientes casos:**
 1. Siempre que vaya a dejar la herramienta;
 2. Antes de eliminar cualquier obstrucción en la herramienta;
 3. Antes de comprobar, limpiar o llevar a cabo cualquier operación en la herramienta;
 4. En caso de observar vibraciones anormales en la herramienta.
- **Utilice únicamente la herramienta a plena luz del día o cuando exista iluminación artificial adecuada.**
- **No se estire demasiado para alcanzar lugares difíciles y mantenga en todo momento un buen equilibrio mientras se sirve de la herramienta.**

ES

- Asegúrese siempre de tener los pies firmemente apoyados sobre el suelo cuando utilice la herramienta en pendientes o terreno con desniveles.
- Desplácese lentamente mientras utiliza la herramienta; nunca corra.
- Mantenga todas las entradas de ventilación de la herramienta libres de cualquier obstrucción o acumulaciones de suciedad.
- No sople nunca escombros, hojas y demás materiales hacia las personas que pudieran encontrarse en las proximidades.
- Se recomienda utilizar únicamente la herramienta a unas horas razonables a fin de evitar molestar a otras personas. No la utilice a unas horas tempranas ni tampoco demasiado tarde.
- Se recomienda utilizar rastrillos y escobas para despegar de la superficie los materiales antes de despejarlos con el soplador.
- En entornos polvorientos, recomendamos humedecer ligeramente la superficie a despejar o bien utilizar un accesorio rociador conectado a la herramienta.

⚠ ADVERTENCIA: ¡Existe peligro debido a la presencia de elementos rotativos!

- Utilice el prolongador del tubo de soplado de manera que el flujo de aire esté lo más cerca del suelo.
- No utilice la herramienta cerca de ventanas abiertas y similares.

MANTENIMIENTO Y ALMACENAMIENTO

- Asegúrese de que todas las tuercas, fijaciones y tornillos estén correctamente apretados para garantizar que la herramienta se encuentre en perfectas condiciones de funcionamiento seguro.
- Compruebe con frecuencia el dispositivo colector de residuos por si mostrara indicios de desgaste o deterioro.
- Sustituya aquellas piezas que presenten cualquier tipo de desgaste o daño.
- Utilice únicamente accesorios y recambios originales.
- Almacene únicamente la herramienta en un lugar seco.

⚠ ADVERTENCIA: Para garantizar la seguridad y fiabilidad del producto, confíe cualquier reparación que sea necesaria a personal técnico cualificado.

⚠ ADVERTENCIA: Para reducir el riesgo de incendio, descarga eléctrica o lesiones, tenga en cuenta lo siguiente:

IMPORTANTE
LEA DETENIDAMENTE TODAS LAS INSTRUCCIONES ANTES DE UTILIZAR LA HERRAMIENTA.
CONSERVE ESTA INFORMACIÓN COMO REFERENCIA FUTURA.

- Familiarícese con su soplador eléctrico. Lea detenidamente este manual de instrucciones. Infórmese pertinentemente de las diferentes aplicaciones para las que ha sido diseñado este soplador, así como de sus limitaciones y posibles peligros potenciales específicos derivados de su utilización. La observación de estas pautas contribuirá a reducir el riesgo de sufrir descargas eléctricas, lesiones graves, o provocar incendios.
- No exponga el soplador a la acción de la lluvia ni a entornos húmedos. La penetración de agua en el soplador aumentará el riesgo de electrocución.
- No permita que el soplador se utilice a modo de juguete. Deberán extremarse las precauciones cuando la herramienta sea utilizada por niños o cerca de estos.
- Utilice únicamente la herramienta de la manera descrita en este manual. Utilice únicamente accesorios recomendados por el fabricante.
- En caso de que la herramienta no funcione como es debido, se haya dejado caer, haya sufrido daños, se haya dejado a la intemperie o haya caído en agua, no la utilice y llévela a su servicio de asistencia técnica más cercano para que la revisen y efectúen las reparaciones que sean necesarias.
- No manipule el cargador, incluido su enchufe o sus terminales eléctricos, con las manos húmedas.
- No introduzca objetos a través de los orificios de la herramienta. No utilice la herramienta si sus orificios están obstruidos. Manténgalos libres de polvo, pelusas, cabellos o de cualquier otro material que pudiera limitar el flujo de aire.
- Mantenga cabellos, dedos, ropa holgada y cualquier otra parte de su cuerpo apartados de los orificios y elementos móviles de la herramienta. La ropa holgada, así como las joyas o el pelo, largo podrían ser aspirados a través de los orificios de ventilación de la herramienta.
- Mantenga el pelo recogido por encima de la altura de los hombros a fin de evitar que pueda enredarse en los elementos móviles de la herramienta.
- Extreme las precauciones cuando utilice la herramienta en escaleras.

- **No recargue el acumulador al aire libre.**
- **Recargue la herramienta utilizando únicamente el cargador suministrado por el fabricante.**
- **No deje el soplador desatendido con su acumulador instalado.** Retire el acumulador del soplador cuando no lo esté utilizando y antes de efectuar en este cualquier reparación.
- **No utilice sopladores en entornos explosivos, por ejemplo, en presencia de líquidos, gases o polvo inflamables.** Los sopladores eléctricos generan chispas que podrían actuar como detonante de vapores y partículas de polvo inflamables.
- **Utilice únicamente sopladores a batería con acumuladores específicamente diseñados para estos.** La utilización de acumuladores distintos podría suponer un riesgo de incendio.
- Utilice únicamente los modelos de acumuladores y cargadores indicados a continuación.

ACUMULADOR	CARGADOR
BA1120E, BA2240E, BA2800, BA3360, BA4200	CH5500E, CH2100E

⚠ ADVERTENCIA:

- Deberá retirarse el acumulador de la herramienta antes de proceder a su eliminación.
- El acumulador deberá eliminarse de forma segura.
- **Manténgase alerta, concéntrese en lo que esté haciendo y utilice siempre su sentido común cuando se sirva de sopladores eléctricos. No utilice el soplador si está cansado, mareado, o se encuentra bajo los efectos de estupefacientes, alcohol o fármacos.** Cualquier momento de descuido durante la utilización de sopladores podría dar lugar a lesiones físicas graves.
- **Evite cualquier activación fortuita de la herramienta. Asegúrese de que el interruptor esté en la posición de bloqueo o apagado antes de insertar el acumulador en la herramienta.** El hecho de transportar sopladores con el dedo apoyado en el gatillo o interruptor de activación, o bien acoplar su acumulador mientras su interruptor está en la posición de encendido es propicio a causar accidentes.
- **Utilice equipo de protección personal. Utilice siempre protección ocular.** Deberá utilizarse equipo de protección como calzado de seguridad antideslizante, cascos de seguridad o protección auditiva en las circunstancias que así lo requieran para reducir en lo posible cualquier riesgo de lesiones físicas.
- **No utilice la herramienta subido en una escalera, árbol, tejado u otro soporte inestable.** Asegurándose de mantener los pies firmemente apoyados sobre una superficie sólida y estable tendrá un mayor control del soplador en caso de producirse alguna situación inesperada.
- Preste atención siempre a la posición de sus pies, así como a la presencia de niños o mascotas cuando quite el acumulador del soplador. **Podrían producirse lesiones graves si el acumulador se cayese. NUNCA retire el acumulador con la herramienta situada en altura.**
- **No utilice el soplador si su interruptor de encendido/apagado no funciona como es debido.** Cualquier soplador que no pueda controlarse mediante su interruptor, supondrá un peligro y deberá repararse antes de poder utilizarse.
- **Retire o desconecte el acumulador de su soplador antes de realizar en este cualquier tipo de ajuste, cambio de accesorio o proceder a guardarlo.** Estas medidas preventivas de seguridad reducirán enormemente el riesgo de que el soplador pueda activarse de manera fortuita.
- **Desplace todos los mandos de la herramienta a su posición de apagado antes de retirar el acumulador.**
- **NO** intente eliminar cualquier obstrucción en la herramienta sin haber retirado antes el acumulador.
- **Examine detenidamente su soplador por si alguno de sus elementos móviles estuviera desalineado o doblado y verifique también que no haya piezas rotas ni se observe ninguna otra condición que pudiera comprometer su funcionamiento correcto. De observarse cualquier tipo de daño, asegúrese de llevar a reparar su soplador antes de utilizarlo.** Numerosos accidentes relacionados con la utilización de sopladores se producen como consecuencia de un mantenimiento deficiente de estos.
- **Mantenga el soplador y su empuñadura secos, limpios y libres de aceite y grasa.** Utilice siempre un paño limpio para limpiar la herramienta. No utilice disolventes, líquido de frenos, gasolina ni ningún otro producto derivado del petróleo o producto agresivo para limpiar su soplador. La observación de estas pautas contribuirá a reducir el riesgo de perder el control de la herramienta y deteriorar su carcasa plástica.
- **Utilice siempre gafas de seguridad con pantallas de protección lateral,** Las gafas normales solo cuentan con cristales resistentes a impactos, pero EN NINGÚN CASO pueden considerarse como gafas de seguridad. La observación de estas pautas contribuirá a reducir el riesgo de sufrir lesiones oculares.

- **Proteja sus pulmones. Utilice siempre una mascarilla antipolvo o un aparato de protección respiratoria si el trabajo a efectuar es propenso a generar polvo.** La observación de estas pautas contribuirá a reducir el riesgo de sufrir lesiones graves.
- **Proteja su capacidad auditiva. Utilice siempre protección auditiva cuando utilice la herramienta durante períodos prolongados.** La observación de estas pautas contribuirá a reducir el riesgo de sufrir lesiones graves.
- **Los sopladores a batería no requieren enchufarse en una toma de corriente. Por lo tanto, siempre estarán listos para funcionar. Sea consciente de los posibles peligros implicados, incluso cuando su soplador a batería no esté funcionando o al sustituir accesorios.** La observación de estas pautas contribuirá a reducir el riesgo de sufrir descargas eléctricas, lesiones graves, o provocar incendios.
- **Utilice prendas de mangas largas, pantalones largos, botas y guantes resistentes.** Evite llevar puesta ropa holgada o joyas que pudieran quedar atrapadas en los elementos móviles de la herramienta o en su motor.
- **No utilice la herramienta yendo descalzo o utilizando sandalias o bien calzado abierto o liviano por el estilo.** Utilice calzado de seguridad que, además de proteger sus pies, proporcione un mayor apoyo y agarre en superficies resbaladizas.
- **Los acumuladores pueden explotar en presencia de fuentes de ignición, tales como llamas pilotos de calefactores, etc.** Para reducir en lo posible cualquier riesgo de sufrir lesiones físicas, nunca utilice ninguna herramienta a batería en presencia de llamas vivas. Al explotar un acumulador, podrían salir despedidos violentamente fragmentos y productos químicos peligrosos. En caso de cualquier exposición o contacto con estos, enjuague inmediatamente la zona corporal afectada con abundante agua.
- **Mantenga en todo momento un buen equilibrio y los pies firmemente apoyados en el suelo. No se estire demasiado para alcanzar lugares de difícil acceso.** De lo contrario, podría perder el equilibrio.
- **Siempre que vaya a servirse de la herramienta, examine minuciosamente la zona de trabajo.** Quite todos los objetos como piedras, vidrios rotos, clavos, alambres, cables o cuerdas, ya que podrían salir despedidos por la acción de la herramienta o enredarse en sus elementos móviles.
- **Nunca dirija el tubo del soplador hacia personas, mascotas u otros animales.**
- **Nunca haga funcionar la herramienta sin los accesorios adecuados correctamente instalados.** Asimismo, asegúrese siempre de que el tubo de soplado esté instalado cuando se sirva de la herramienta.
- **Cuando no lo esté utilizando, el soplador deberá guardarse en interiores, en un lugar seco y convenientemente cerrado, fuera del alcance de los niños.**
- **Mantenga a niños, terceros y mascotas a una distancia de seguridad mínima de 15m de la zona donde se esté utilizando la herramienta.**
- **Confíe cualquier reparación que sea necesario efectuar en su soplador a personal técnico cualificado.** Cualquier reparación u operación de mantenimiento efectuada por personal no cualificado puede suponer un riesgo de lesiones físicas.
- **Cuando se efectúen reparaciones en el soplador, deberán utilizarse únicamente piezas idénticas a las originales.** Siga las instrucciones al respecto indicadas en el apartado titulado "Mantenimiento" del presente manual. La utilización de piezas no aprobadas por el fabricante, así como de no observarse las Instrucciones de mantenimiento proporcionadas podría aumentar el riesgo de sufrir electrocución o lesiones físicas.
- **Nunca utilice el soplador cerca de llamas o cenizas calientes.** La utilización de la herramienta cerca de llamas o cenizas podría propagar el fuego, con el consiguiente riesgo de provocar lesiones físicas graves y/o daños materiales.
- **Nunca use el soplador para dispersar productos químicos, fertilizantes o cualquier otra sustancia tóxica.** La dispersión de dichas sustancias podría provocar lesiones graves al usuario o a otras personas presentes en la zona de trabajo.
- **Nunca deposite el soplador en funcionamiento sobre superficies que no sean duras y estén limpias.** Los materiales tales como grava, arena y otros residuos podrían ser aspirados por la entrada de aire y sopladados hacia el usuario u otras personas, pudiendo ocasionar lesiones graves.
- **Conserve estas instrucciones.** Consúltelas con frecuencia y utilícelas para instruir a aquellas otras personas que vayan a usar esta herramienta. En caso de prestar esta herramienta a terceros, proporciónelas también estas instrucciones a fin de evitar su uso incorrecto y posibles riesgos de lesiones.

CONSERVE ESTAS INSTRUCCIONES EN UN LUGAR SEGURO!

ESPECIFICACIONES

Tensión	56V
Velocidad en vacío	Turbo: 23000 /min
	Alta: 18000 /min
	Baja: 10000 /min
Caudal de aire	Turbo: 900 m ³ /h
	Alta: 675 m ³ /h
	Baja: 440 m ³ /h
Velocidad del aire soplado	Turbo: 176 km/h
	Alta: 136 km/h
	Baja: 80 km/h
Tiempo de marcha aprox. (con acumulador EGO de 2,5 Ah)	10 min. (a velocidad turbo)
	23 min. (a velocidad alta)
	75 min. (a velocidad baja)
Peso del soplador (sin acumulador)	2,18 kg
Nivel de potencia acústica ponderado (L _{WA})	97 dB(A) K _{WA} =2,5 dB(A)
Nivel de presión acústica medido a la altura del oído del usuario (L _{PA})	81,8 dB(A) K _{PA} =2,5 dB(A)
Nivel de potencia acústica garantizado L _{WA} (medido según 2000/14/CE)	100 dB(A)
Nivel de vibraciones (a _v)	1,351 m/s ² K=1,5 m/s ²

- El nivel total de vibraciones especificado ha sido medido conforme al método de prueba estándar empleado en la industria y puede utilizarse para efectuar comparaciones entre herramientas.
- Asimismo, el nivel total de vibraciones declarado podrá utilizarse para efectuar una evaluación preliminar de la exposición del usuario a los niveles de vibración generados por la herramienta.

AVISO: Las vibraciones generadas durante el uso real de la herramienta eléctrica podrán diferir del valor declarado en función de la manera en que se utilice. A modo de protección, el usuario deberá utilizar guantes y protectores auditivos en condiciones reales de uso.

LISTA DE EMBALAJE

DENOMINACIÓN DE PIEZA	CANTIDAD
Soplador	1
Tubo de soplado	1
Boquilla plana del soplador	1
Manual del usuario	1

DESCRIPCIÓN

FAMILIARÍCESE CON SU SOPLADOR (fig. A)

- Botón de liberación del acumulador
- Empuñadura con revestimiento moldeado y texturado
- Gatillo interruptor
- Botón de selección de velocidad turbo
- Mando de ajuste de la velocidad de soplado de aire
- Botón de liberación del tubo
- Tubo de soplado
- Salida de aire
- Entrada de aire
- Mecanismo de expulsión
- Ranura de montaje
- Contactos eléctricos
- Seguro
- Soporte para la correa bandolera

ADVERTENCIA: Para una utilización segura de este producto, se requiere entender perfectamente la información proporcionada en la propia herramienta, así como en este manual de instrucciones, además de poseer buenos conocimientos acerca de la tarea a realizar. Antes de utilizar este producto, familiarícese con todas sus características de funcionamiento y pautas de seguridad a observar.

UTILIZACIÓN

ADVERTENCIA: No permita que la confianza que supone el hecho de estar familiarizado con el producto dé lugar a descuidos. Recuerde que cualquier distracción de una fracción de segundos es suficiente para sufrir o provocar lesiones graves.

ES

⚠ ADVERTENCIA: No intente modificar esta herramienta en modo alguno ni fabricar accesorios no recomendados para su uso en este soplador. Cualquier alteración o modificación se considerará uso indebido y podría provocar una situación peligrosa con riesgo de sufrir lesiones graves.

⚠ ADVERTENCIA: Retire siempre el acumulador del producto antes de instalar alguna pieza, efectuar ajustes, proceder a su limpieza, o cuando la herramienta no esté en uso. El hecho de retirar el acumulador permitirá evitar cualquier puesta en marcha accidental de la herramienta que podría dar lugar a lesiones físicas graves.

Antes de cada utilización, examine la totalidad del producto a fin de determinar la posible existencia de piezas dañadas, extraviadas o sueltas, tales como tornillos, tuercas, pernos, tapones, etc. Apriete todos los tornillos, fijaciones y tapones según sea necesario y no utilice el producto hasta haber sustituido las piezas dañadas o instalado las que faltan.

UTILIZACIÓN PREVISTA DE LA HERRAMIENTA

Este producto podrá utilizarse para los propósitos indicados a continuación:

- Despejar superficies duras, como entradas para vehículos y caminos peatonales.
- Mantener despejadas de hojarasca y agujas de pino las cubiertas y las entradas para vehículos.

AVISO: La herramienta debe utilizarse únicamente para el fin previsto. Cualquier otro uso se considerará uso indebido.

MONTAJE/RETIRADA DEL TUBO DE SOPLADO

■ Montaje (fig. B)

Alinee el carril y empuje el tubo sobre la carcasa del soplador, hasta oír un "clic".

■ Extracción (fig. C)

Pulse el botón de liberación del tubo y tire del tubo para sacarlo.

INSTALAR/QUITAR EL ACUMULADOR (fig. D)

Recargar antes del primer uso.

■ Instalación

Alinee las nervaduras del acumulador con las ranuras de montaje, e introduzca el acumulador presionándolo hacia abajo hasta oír un "clic".

■ Extracción

Pulse el botón de liberación del acumulador y saque el acumulador.

⚠ ADVERTENCIA: Preste atención siempre a la posición de sus pies, así como a la presencia de niños o mascotas cuando pulse el botón de liberación del acumulador. Podrían producirse lesiones graves si el acumulador se cayese. NUNCA retire el acumulador con la herramienta situada en altura.

PUESTA EN MARCHA/PARADA DEL SOPLADOR (fig. E)

■ Puesta en marcha

Mantenga pulsado el gatillo. Tras un breve instante, el soplador comenzará a funcionar.

■ Parada

Suelte el gatillo.

AJUSTE DE LA VELOCIDAD DEL AIRE SOPLADO

■ Aumentar/reducir la velocidad del aire soplado

Gire en sentido horario/antihorario el mando de ajuste de la velocidad de soplado de aire.

■ Para aumentar más la velocidad del aire

Pulse el botón de selección de la velocidad turbo para alcanzar la máxima velocidad de soplado de aire.

AVISO: Cuando se suelta el botón de selección de la velocidad turbo, el soplador restablece la velocidad anterior.

CÓMO UTILIZAR EL SOPLADOR

- Para evitar dispersar descontroladamente el material soplado, dirija siempre el chorro de aire en torno al perímetro de los residuos apilados. Nunca sopla directamente hacia el centro de la pila.
- Para reducir en lo posible los niveles de ruido emitidos, limite en lo posible el número de herramientas en uso de forma simultánea.
- Utilice rastrillos y escobas para soltar los materiales antes de despejarlos con el soplador. En entornos polvorientos, si hay agua disponible, humedezca ligeramente la superficie a despejar.
- Ahorre agua utilizando sopladores eléctricos en lugar de mangueras para despejar residuos de céspedes y jardines, incluidas áreas tales como canalones, vallas, patios, rejas, soportales y arriates.
- Esté siempre alerta a la posible presencia de niños, mascotas, ventanas abiertas, automóviles recién lavados, etc. y utilice el soplador para despejar los materiales de manera segura.
- Tras utilizar el soplador o cualquier otro equipo, ¡asegúrese de limpiarlos! Elimine los residuos de la manera adecuada.

MANTENIMIENTO

⚠ ADVERTENCIA: Cuando efectúe reparaciones en la herramienta, utilice únicamente piezas idénticas a las originales. La utilización de piezas diferentes o no homologadas podría suponer un peligro o causar daños en el producto. Para garantizar la seguridad y fiabilidad del producto, confíe cualquier reparación que sea necesaria a personal técnico cualificado.

⚠ ADVERTENCIA: Para evitar posibles riesgos de lesiones físicas graves, asegúrese siempre de retirar el acumulador de la herramienta antes de proceder a su limpieza o llevar a cabo cualquier tarea de mantenimiento.

MANTENIMIENTO GENERAL

Evite utilizar disolventes para limpiar los elementos plásticos del producto. La mayoría de las piezas de plástico utilizadas son susceptibles de sufrir daños si se limpian con algunos de los tipos de disolventes de uso industrial disponibles en el mercado. Utilice paños limpios para eliminar la suciedad y los residuos de polvo, aceite, grasa, etc.

⚠ ADVERTENCIA: No permita en ningún momento que líquido de frenos, gasolina, productos derivados del petróleo, aceites penetrantes, etc., entren en contacto con las piezas de plástico de la herramienta. Los productos químicos podrían dañar, debilitar o destruir el plástico, con el consiguiente riesgo de provocar lesiones físicas graves.

ALMACENAMIENTO

- Elimine cualquier acumulación de suciedad y materias extrañas de las entradas de aire del soplador.
- Guarde el soplador en interiores, en un lugar inaccesible para los niños. Manténgalo apartado de agentes corrosivos tales como productos químicos de jardinería y sal para deshielo.

Protección del medio ambiente



¡No elimine aparatos eléctricos, cargadores de baterías, acumuladores recargables o baterías junto con los desperdicios domésticos!

Tanto la Directiva europea 2012/19/UE sobre la eliminación de aparatos eléctricos y electrónicos inservibles como la Directiva europea 2006/66/CE sobre la eliminación de baterías o acumuladores defectuosos o agotados estipulan que dichos elementos deben ser objeto de una recogida selectiva y reciclarse o eliminarse de manera que no perjudique el medio ambiente.

Si los aparatos eléctricos acabaran tirándose a vertederos o basureros, podrían desprender sustancias perjudiciales que llegarían a contaminar las capas freáticas y entrar en la cadena alimenticia, con el consecuente peligro para la salud y calidad de vida humana.

ES

DECLARACIÓN DE CONFORMIDAD CE

Nosotros, CHERVON EUROPE LTD.

47 CASTLE STREET, READING, RG1 7SR, UNITED KINGDOM

Declaramos que el producto **soplador inalámbrico a batería de iones de litio de 56V L5300E**, se encuentra conforme con los requisitos esenciales de salud y seguridad de las siguientes Directivas:

2006/42/CE, 2004/108/CE, 2011/65/UE, 2000/14/CE

Estándares y especificaciones técnicas relacionados:

EN60335-1, EN50636-2-100, EN62233, EN55014-1, EN55014-2

Nivel de potencia acústica ponderado: 97 dB(A).

Nivel de potencia acústica garantizado: 100 dB(A).

Peter Melrose
Vicepresidente de Chervon Europa

Dong Jianxun
Director de calidad de Chervon

* (representante autorizado de CHERVON y responsable de la documentación técnica)

01/01/2016



SOLUCIÓN DE PROBLEMAS

ES

ANOMALÍA	CAUSA	SOLUCIÓN
El soplador no funciona.	<ul style="list-style-type: none">■ El acumulador no está correctamente insertado en el soplador.■ No hay contacto eléctrico entre el acumulador y el soplador.■ El acumulador está agotado.■ El acumulador o el circuito del soplador se han sobrecalentado.	<ul style="list-style-type: none">■ Inserte correctamente el acumulador en el soplador.■ Retire el acumulador, compruebe los contactos eléctricos y vuelva a instalar el acumulador en su sitio.■ Recargue el acumulador.■ Espere a que el acumulador o el soplador se hayan enfriado lo suficiente hasta que su temperatura sea inferior a 67°C.
La velocidad del aire soplado disminuye considerablemente.	<ul style="list-style-type: none">■ Desgaste excesivo del ventilador del motor.■ La entrada de aire está obstruida por acumulaciones de residuos o suciedad.	<ul style="list-style-type: none">■ Póngase en contacto con el servicio de asistencia técnica de EGO para solicitar la reparación de la herramienta.■ Retire el acumulador del soplador y elimine cualquier obstrucción.

GARANTÍA

POLITICA DE GARANTÍA EGO

Por favor visite nuestra página web egopowerplus.com para los terminos y las condiciones completas de la política de garantía EGO.

LEIA TODAS AS INSTRUÇÕES!



LEIA E COMPREENDA O MANUAL DE INSTRUÇÕES

AVISO: Estas instruções também estão disponíveis num formato alternativo, p. ex. num website.

⚠ Risco residual! As pessoas com dispositivos eletrónicos, como pacemakers, deverão consultar o seu médico antes de utilizarem este produto. A utilização de equipamento elétrico perto de um pacemaker pode causar interferências ou falhas no pacemaker.

⚠ AVISO: Para assegurar a segurança e bom funcionamento, todas as reparações e substituições deverão ser efetuadas por um técnico de reparação qualificado.

SÍMBOLOS DE SEGURANÇA

O intuito destes símbolos de segurança é chamar a sua atenção para possíveis perigos. Os símbolos de segurança e as explicações apresentadas com eles requerem a sua atenção e compreensão. Os avisos de segurança, só por eles, não eliminam o perigo. As instruções e avisos dados não são substitutos para medidas de prevenção adequadas a acidentes.

⚠ AVISO: Certifique-se de que lê e compreende todas as instruções de segurança neste manual do utilizador, incluindo todos os símbolos de alerta de segurança, como **“PERIGO”, “AVISO”, e “CUIDADO”** antes de utilizar esta ferramenta. Não seguir todas as instruções apresentadas abaixo pode resultar em choque elétrico, incêndio e/ou lesões graves.

PREVENÇÃO DE DANOS E INFORMAÇÕES

Estas informam o utilizador de que existe informação importante e/ou instruções que podem dar origem a danos no equipamento ou propriedade, caso não sejam seguidas. Cada mensagem é antecedida da palavra **“AVISO”**, conforme apresentado em baixo:

AVISO: Se estas instruções não forem seguidas, podem dar origem a danos no equipamento e/ou propriedade.



⚠ AVISO: O funcionamento de qualquer ferramenta elétrica pode dar origem ao ressalto de quaisquer objetos estranhos que podem atingir os olhos, podendo dar origem a sérias lesões oculares. Antes de começar a utilizar a ferramenta elétrica, utilize sempre óculos de segurança com proteções laterais e uma proteção completa para o rosto, quando necessário. Recomendamos a utilização de máscaras de segurança com visão panorâmica por cima dos óculos ou óculos de segurança padrão com proteção lateral.

PT

INSTRUÇÕES DE SEGURANÇA

Esta página retrata e descreve os símbolos de segurança que podem aparecer neste produto. Leia, compreenda e siga todas as instruções na máquina antes de a tentar montar e utilizar.

	Alerta de segurança	Precauções que envolvam a sua segurança.
	Utilize proteção ocular	Utilize sempre óculos de segurança com proteção lateral e, se necessário, uma proteção completa do rosto, quando utilizar este produto.
	Utilize proteção auditiva	Utilize sempre proteção auditiva ao utilizar este produto.
	Leia o manual do utilizador	Para reduzir o risco de lesões, o utilizador tem de ler e compreender o manual do utilizador antes de utilizar este produto.
	Mantenha terceiros afastados	Mantenha terceiros a, pelo menos, 15 metros de distância.
	Construção de classe II	Construção com isolamento duplo.
	Não exponha à humidade	Não utilizar à chuva ou deixar no exterior enquanto chove.
V	Volts	Tensão
A	Amperes	Corrente

Hz	Hertz	Frequência (ciclos por segundo)
W	Watt	Potência
min	Minutos	Tempo
m³/h	Metro cúbico por hora	Volume do ar
km/h	Quilómetros por hora	Velocidade do ar
	Corrente alternada	Tipo de corrente
	Corrente direta	Tipo ou característica da corrente
n ₀	Velocidade sem carga	Velocidade de rotação, sem carga
... /min	Por minuto	Rotações por minuto

Durante a utilização de eletrodomésticos, devem ser sempre tomadas precauções básicas, como as que se seguem:

AVISOS DE SEGURANÇA GERAIS PARA FERRAMENTAS ELÉTRICAS

⚠ AVISO: Leia todos os avisos de segurança e todas as instruções. Não seguir todos os avisos e instruções pode resultar em choque eléctrico, incêndio e/ou lesões graves.

Guarde todos os avisos e instruções para futura referência.

O termo “ferramenta eléctrica” nos avisos refere-se às suas ferramentas eléctricas ligadas à corrente eléctrica (com fios) ou ferramentas eléctricas que funcionam com bateria (sem fios).

SEGURANÇA NA ÁREA DE TRABALHO

- **Mantenha a área de trabalho limpa e bem iluminada.** As áreas desarrumadas ou escuras convidam a acidentes.
- **Não ligue ferramentas eléctricas em atmosferas explosivas, tal como na presença de líquidos inflamáveis, gases ou pó.** As ferramentas eléctricas produzem faíscas que podem inflamar o pó ou fumos.
- **Mantenha as crianças e pessoas que passem afastadas enquanto trabalhar com uma ferramenta eléctrica.** As distrações podem fazer com que perca o controlo.

SEGURANÇA ELÉTRICA

- **As fichas da ferramenta eléctrica têm de corresponder à tomada. Nunca modifique a ficha de algum modo. Não utilize qualquer adaptador com ferramentas eléctricas com ligação à terra.** Fichas não modificadas e tomadas correspondentes reduzirão o risco de choque eléctrico.
- **Evite o contacto do corpo com superfícies ligadas à terra, tais como tubos, radiadores, bases e frigoríficos.** Existe um risco acrescido de choque eléctrico se o seu corpo estiver ligado à terra.
- **Não exponha as ferramentas eléctricas à chuva ou a condições húmidas.** A entrada da água na ferramenta eléctrica aumentará o risco de choque eléctrico
- **Não force o fio. Nunca utilize o fio para transportar, puxar ou desligar a ferramenta eléctrica. Mantenha o fio afastado do calor, óleo, arestas afiadas ou peças móveis.** Fios danificados ou emaranhados aumentam o risco de choque eléctrico.
- **Quando estiver a trabalhar com uma ferramenta eléctrica ao ar livre, utilize uma extensão adequada para a utilização no exterior.** A utilização de um fio adequado ao exterior reduz o risco de choque eléctrico.
- **Se for inevitável trabalhar com uma ferramenta eléctrica num local húmido, use um dispositivo de corrente residual.** A utilização de um DCR reduz o risco de choque eléctrico.

SEGURANÇA PESSOAL

- **Mantenha-se alerta, observe o que está a fazer e utilize o senso comum quando estiver a trabalhar com uma ferramenta eléctrica. Não utilize uma ferramenta eléctrica quando estiver cansado ou sob o efeito de drogas, álcool ou medicação.** Um momento de falta de atenção enquanto trabalha com ferramentas eléctricas pode resultar em lesões pessoais graves.
- **Use equipamento pessoal de protecção.** Utilize sempre protecção ocular. O equipamento de segurança, tal como máscara de pó, calçado de segurança antiderrapante, capacete de segurança, ou protecção para os ouvidos, utilizado nas condições adequadas reduzirá a hipótese de lesões.
- **Evite os arranques sem intenção. Certifique-se de que o interruptor se encontra na posição desligada antes de ligar à alimentação e/ou bateria e antes de pegar ou transportar a ferramenta.** Transportar ferramentas eléctricas com o dedo no interruptor ou alimentar ferramentas eléctricas com o interruptor na posição de ligado convida a acidentes.

- **Retire qualquer chave de ajuste ou chave de fendas antes de ligar a energia.** Uma chave de fendas ou uma chave deixada ligada a uma peça rotativa da ferramenta eléctrica pode resultar em lesão.
- **Não se estique. Mantenha sempre o apoio para os pés e o equilíbrio.** Isto permite um melhor controlo da ferramenta eléctrica em situações inesperadas.
- **Vista-se adequadamente. Não utilize roupa larga ou jóias. Mantenha o cabelo, roupa e luvas afastados das partes móveis.** Roupas largas, jóias ou cabelo comprido podem ser apanhados pelas peças em movimento.
- **Se forem fornecidos dispositivos para ligação da extração de pó e das instalações de recolha, certifique-se de que estes estão ligados e são adequadamente utilizados.** A utilização de dispositivos de recolha de pó pode reduzir os perigos relacionados com o pó.

UTILIZAÇÃO E CUIDADOS DA FERRAMENTA ELÉCTRICA

- **Não force a ferramenta eléctrica. Utilize a ferramenta eléctrica correta para a utilização pretendida.** A ferramenta eléctrica correta fará o trabalho melhor e de forma mais segura ao ritmo para o qual foi concebida.
- **Não utilize a ferramenta eléctrica se o interruptor não a ligar e desligar.** Qualquer ferramenta eléctrica que não possa ser controlada com o interruptor é perigosa e deve ser reparada.
- **Desligue a ficha da alimentação e/ou da bateria da ferramenta eléctrica antes de fazer quaisquer ajustes, mudar de acessórios ou armazenar a ferramenta eléctrica.** Tais medidas preventivas de segurança reduzem o risco de ligar a ferramenta eléctrica acidentalmente.
- **Guarde as ferramentas eléctricas não utilizadas fora do alcance das crianças e não permita que pessoas não familiarizadas com a ferramenta eléctrica ou com estas instruções utilizem a ferramenta eléctrica.** As ferramentas eléctricas são perigosas nas mãos de utilizadores sem formação.
- **Proceda à manutenção das ferramentas eléctricas. Verifique desalinhamentos ou bloqueios das peças móveis, peças partidas e quaisquer outras condições que possam afectar o funcionamento da ferramenta eléctrica. Se estiver danificada, leve a ferramenta eléctrica para ser reparada antes da utilização.** Muitos acidentes são provocados pela fraca manutenção das ferramentas eléctricas.

- **Mantenha as ferramentas de corte afiadas e limpas.** Ferramentas de corte devidamente mantidas e com arestas cortantes afiadas têm uma menor probabilidade de prender e são mais fáceis de controlar.
- **Use a ferramenta eléctrica, acessórios e brocas, etc., de acordo com estas instruções, tendo em conta as condições de trabalho e o trabalho a ser efectuado.** A utilização da ferramenta eléctrica para operações diferentes daquelas para que foi criada pode dar origem a uma situação perigosa.

UTILIZAÇÃO E CUIDADOS DA BATERIA DA FERRAMENTA

- **Recarregue apenas com o carregador especificado pelo fabricante.** Um carregador que seja adequado para um tipo de bateria pode criar um risco de incêndio quando usado com outra bateria.
- **Use ferramentas eléctricas apenas com as baterias especificamente designadas.** A utilização de outras baterias pode criar um risco de lesão e incêndio.
- **Quando não usar a bateria, mantenha-a afastada de outros objectos de metais, como cliques de papel, moedas, chaves, pregos, parafusos ou outros pequenos objectos de metal que possam fazer a ligação entre os dois terminais.** Colocar os terminais da bateria em curto-circuito pode dar origem a queimaduras ou fogo.
- **Sob condições abusivas, pode ser ejetado líquido da bateria. Evite o contacto. Se ocorrer contacto acidental, lave com água. Se o líquido entrar em contacto com os olhos, procure ajuda médica.** O líquido ejetado da bateria pode provocar irritação ou queimaduras.

MANUTENÇÃO

- **A manutenção da sua ferramenta eléctrica deverá ser sempre efectuada por pessoas qualificadas, utilizando apenas peças sobressalentes idênticas.** Tal irá assegurar que a segurança da ferramenta eléctrica é mantida.

LEIA TODAS AS INSTRUÇÕES ANTES DE UTILIZAR ESTE PRODUTO!

TREINO

- **Leia as instruções cuidadosamente.** Familiarize-se com os controlos e utilização adequada deste equipamento.
- **Nunca permita que crianças ou pessoas com capacidades físicas, sensoriais ou mentais reduzidas ou com falta de experiência e conhecimento ou pessoas que não estejam familiarizadas com estas instruções usem o aparelho.**

PT

- **Nunca permita que uma pessoa que não esteja familiarizada com estas instruções utilize o aparelho.** As normas locais podem restringir a idade do operador.
- **Nunca utilize o aparelho com pessoas, especialmente crianças ou animais por perto.**
- **O operador ou utilizador é o responsável por acidentes ou riscos provocados a outras pessoas ou à sua propriedade.**

PREPARAÇÃO

- **Enquanto utiliza o aparelho, utilize sempre calçado robusto e calças compridas.**
- **Não utilize roupa larga ou joalharia que possa ficar apanhada na entrada de ar.** Mantenha o cabelo comprido afastado das entradas de ar.
- **Use óculos de protecção enquanto utiliza o aparelho.**
- **Para evitar irritação devido ao pó, recomendamos a utilização de uma máscara facial.**
- **Antes da utilização, verifique a bateria quanto a danos.** Não utilize o aparelho se a bateria estiver danificada.
- **Nunca utilize o aparelho com proteções defeituosas ou sem os dispositivos de segurança, por exemplo, dispositivo de recolha de resíduos, no devido lugar.**

Funcionamento

- **Desligue a(s) bateria(s):**
 1. Sempre que abandonar a máquina;
 2. Antes de limpar uma peça bloqueada;
 3. Antes de verificar, limpar ou trabalhar no aparelho;
 4. Se o aparelho começar a vibrar anormalmente.
- **Utilize o aparelho apenas à luz do dia ou com boa luz artificial.**
- **Não se estique e mantenha sempre o equilíbrio.**
- **Nos locais inclinados, certifique-se sempre do local onde coloca os pés.**
- **Caminhe, nunca corra.**
- **Mantenha todas as entradas de ar refrigerador limpas.**
- **Nunca sobre os resíduos na direcção de outras pessoas.**
- **Utilize a máquina apenas a horas razoáveis: Nunca de manhã muito cedo ou à noite, quando possa perturbar as outras pessoas.**

- **Use ancinhos e vassouras para libertar o lixo antes de o soprar.**
- **Recomendamos que humedeca ligeiramente as superfícies quando houver muito pó, ou use o acessório de humedecimento.**

⚠ AVISO: Perigo de peças rotativos!

- **Use a extensão completa do bocal do soprador, de modo a que o jacto de ar possa funcionar perto do chão.**
- **Não utilize a máquina perto de janelas abertas, etc.**

MANUTENÇÃO E ARMAZENAMENTO

- **Mantenha todas as porcas e parafusos bem apertados, para se certificar de que o aparelho está em boas condições de funcionamento.**
- **Verifique frequentemente o desgaste ou a deterioração do colectador de resíduos.**
- **Substitua as peças gastas ou danificadas.**
- **Use apenas peças sobresselentes e acessórios genuínos.**
- **Guarde o aparelho apenas num local seco.**

⚠ AVISO: Para assegurar a segurança e bom funcionamento, todas as reparações deverão ser efetuadas por um técnico de reparação qualificado.

⚠ AVISO: Para reduzir o perigo de incêndio, choque eléctrico ou lesões:

IMPORTANTE
LEIA ATENTAMENTE ANTES DE UTILIZAR.
GUARDE PARA FUTURA REFERÊNCIA.

- **Conheça o seu soprador. Leia com atenção o manual de instruções. Aprenda as aplicações e limitações do soprador, bem como os perigos potenciais específicos relacionados com este soprador.** Seguir esta regra reduzirá o risco de choque eléctrico, incêndio ou lesões graves.
- **Não exponha o soprador à chuva ou a condições húmidas.** A entrada de água num soprador aumentará o risco de choque eléctrico.
- **Não permita que seja utilizado como um brinquedo.** É necessária muita atenção quando usar com crianças por perto.
- **Use apenas conforme descrito neste manual. Use apenas os acessórios recomendados pelo fabricante.**
- **Se o soprador não estiver a funcionar como deveria, tiver caído, estiver danificado, tiver sido deixado no exterior ou deixado cair na água, devolva-o a um centro de reparação.**

- Não manuseie o carregador, incluindo a ficha do carregador e os terminais com as mãos molhadas.
 - Não introduza objetos nas aberturas. Não utilize com qualquer abertura bloqueada. Mantenha-as sem pó, fiapos, cabelos ou algo que possa reduzir o fluxo do ar.
 - Mantenha o cabelo, roupa larga, dedos e todas as partes do corpo afastada das aberturas e peças móveis. Roupas largas, joias ou cabelo comprido, podem ser apanhados pelas entradas de ar.
 - Prenda o cabelo comprido acima dos ombros, para evitar que este fique preso nas peças em movimento.
 - Utilize cuidado extra ao efetuar limpeza sobre escadas.
 - Não carregue a bateria no exterior.
 - Utilize apenas o carregador fornecido pelo fabricante para recarregar.
 - Não deixe o soprador sem supervisão quando inserir a bateria. Retire a bateria quando o soprador não for usado e antes da reparação.
 - Não ligue sopradores em atmosferas explosivas, tal como na presença de líquidos inflamáveis, gases ou pó. Os sopradores produzem faíscas que podem inflamar o pó ou fumos.
 - Utilize o soprador apenas com a respetiva bateria. A utilização de outras baterias pode criar um risco de incêndio.
 - Utilize apenas com baterias e carregadores listados em baixo.
- | BATERIA | CARREGADOR |
|--|------------------|
| BA1120E, BA2240E, BA2800, BA3360, BA4200 | CH5500E, CH2100E |
- Evite arranques acidentais. Certifique-se de que o interruptor está na posição de bloqueado ou desligado antes de inserir a bateria. Transportar o soprador com o dedo no interruptor ou inserir a bateria num carregador com o interruptor na posição ligado convida a acidentes.
 - Utilize equipamento de segurança. Utilize sempre proteção ocular. Deve ser utilizada máscara para o pó, sapatos de segurança antiderrapantes, capacete de proteção ou proteção auditiva para as condições apropriadas.
 - Não utilize numa escada, telhado, árvore ou outro suporte instável. Uma base estável numa superfície sólida proporciona um melhor controlo do soprador em situações inesperadas.
 - Tenha sempre cuidado com os seus pés, com crianças e animais perto de si quando retirar a bateria do soprador. Se a bateria cair, podem ocorrer lesões sérias. NUNCA retire a bateria num local elevado.
 - Não utilize o soprador se o interruptor não der para ligar e desligar. Um soprador que não possa ser controlado com o interruptor é perigoso e deve ser reparado.
 - Desligue a bateria do soprador antes de efetuar quaisquer ajustes, mudar de acessórios ou armazenar o soprador. Tais medidas preventivas de segurança reduzem o risco de ligar o soprador acidentalmente.
 - Desligue todos os controlos antes de retirar a bateria.
 - NÃO tente eliminar obstáculos da unidade sem retirar primeiro a bateria.
 - Verifique desalinhamentos ou bloqueios das peças móveis, fracionamento de peças e quaisquer outras condições que possam afetar o funcionamento do soprador. Se o soprador estiver danificado, leve-o a um centro de reparação antes de voltar a utilizá-lo. Muitos acidentes são provocados pela fraca manutenção dos sopradores.
 - Mantenha o soprador e a sua pega secos, limpos e sem óleo e gordura. Utilize sempre um pano limpo ao limpar. Nunca utilize produtos à base de fluidos para travões, gasolina, produtos à base de petróleo ou quaisquer solventes fortes para limpar o soprador. Seguir esta regra reduzirá o risco de perda de controlo e deterioração do invólucro plástico.
 - Utilize sempre óculos de segurança com proteções laterais. Os óculos habituais só têm lentes de resistência de impacto. Estes NÃO são óculos de segurança. Ao seguir esta regra irá reduzir o risco de lesões oculares.

PT

AVISO:

- A bateria tem de ser retirada do equipamento antes de ser eliminada.
- A bateria tem de ser eliminada de modo seguro.
- Mantenha-se alerta, observe o que está a fazer e utilize senso comum quando estiver a trabalhar com um soprador. Não utilize o soprador enquanto estiver cansado, chateado ou sob o efeito de drogas, álcool ou medicação. Um momento de falta de atenção enquanto trabalha com o soprador pode resultar em sérias lesões pessoais.

- **Proteja os seus pulmões. Utilize uma máscara ou máscara de pó se o funcionamento for poeirento.** Se seguir esta regra reduzirá o risco de ferimentos pessoais graves.
- **Proteja a sua audição. Utilize equipamento de proteção auditiva durante longos períodos de funcionamento.** Se seguir esta regra reduzirá o risco de ferimentos pessoais graves.
- **Os sopradores a bateria não têm de ser ligados a uma tomada. Assim, estão sempre em estado de funcionamento. Tenha cuidado com possíveis perigos quando não utilizar o seu soprador a bateria ou quando mudar de acessórios.** Seguir esta regra reduzirá o risco de choque elétrico, incêndio ou lesões pessoais sérias.
- **Utilize calças compridas e resistentes, mangas compridas, botas e luvas.** Evite roupa folgada ou joias que possam ficar presas nas peças em movimento da máquina ou do motor.
- **Não utilize o equipamento descalço, de sandálias ou com qualquer calçado leve semelhante.** Utilize calçado de proteção que proteja os seus pés e melhore a sua postura em superfícies escorregadias.
- **As baterias podem explodir na presença de uma fonte de ignição, como uma luz piloto.** Para reduzir o risco de lesões pessoais sérias, nunca utilize um produto sem fios na presença de uma chama sem proteção. Ao explodir, uma bateria pode libertar resíduos e químicos. Se for exposto a estes produtos, lave imediatamente com água.
- **Mantenha a estabilidade e equilíbrio. Não se estique.** Se se esticar, poderá resultar na perda de equilíbrio.
- **Verifique a área de trabalho antes de cada utilização.** Retire todos os objetos, como pedras, vidro partido, pregos, arames ou fios que possam ser atirados ou ficar presos na máquina.
- **Não aponte o tubo do soprador na direção de pessoas ou animais.**
- **Nunca utilize a unidade sem o devido equipamento fixado.** Certifique-se sempre de que o tubo do soprador está instalado.
- **Quando não em uso, o soprador deverá ser armazenado num local seco, seguro, fora do alcance das crianças.**
- **Mantenha terceiros, crianças e animais a, pelo menos, 15 metros de distância.**
- **A reparação do soprador deve ser executada apenas por pessoal qualificado.** A reparação ou manutenção efetuadas por pessoal não qualificado poderá resultar num risco de ferimento.
- **Quando fizer a reparação do soprador, utilize apenas peças sobressalentes idênticas.** Siga as instruções da secção Manutenção deste manual. A utilização de peças não autorizadas ou o não cumprimento das instruções de manutenção pode criar um risco de choque ou ferimentos.
- **Nunca utilize o soprador perto de fogo ou cinza quente.** A utilização perto de fogo ou cinzas pode espalhar o fogo e dar origem a lesões sérias e/ou danos de propriedade.
- **Nunca utilize o soprador para espalhar químicos, fertilizantes ou quaisquer outras substâncias tóxicas.** Espalhar estas substâncias pode dar origem a lesões sérias no operador ou terceiros.
- **Coloque sempre o soprador numa superfície dura e limpa quando o motor estiver a funcionar.** O cascalho, areia e outros resíduos podem ser apanhados pela entrada de ar e atirados contra o operador ou terceiros, causando possíveis lesões sérias.
- **Guarde estas instruções.** Consulte com frequência e utilize estas instruções para instruir outras pessoas sobre a forma de utilizar este equipamento. Se emprestar este aparelho, entregue também as instruções, para evitar uma má utilização do produto e possíveis lesões.

GUARDE ESTAS INSTRUÇÕES!

ESPECIFICAÇÕES

Voltagem	56V
Velocidade sem carga	Boost: 23000 /min
	Elevado: 18000 /min
	Baixo: 10000 /min
Volume do ar	Boost: 900 m ³ /h
	Elevado: 675 m ³ /h
	Baixo: 440 m ³ /h
Velocidade do ar	Boost: 176 km/h
	Elevado: 136 km/h
	Baixo: 80 km/h
Tempo de funcionamento aprox. (com bateria EGO 2,5 Ah)	10 min. (Boost)
	23 min. (Alta velocidade)
	75 min. (Baixa velocidade)
Peso do soprador (sem a bateria)	2,18 kg
Nível de potência do som medido L_{WA}	97 dB(A) $K_{WA}=2,5$ dB(A)
Nível da pressão do som no ouvido do operador L_{PA}	81,8 dB(A) $K_{PA}=2,5$ dB(A)
Nível de potência acústica garantido L_{WA} (medido de acordo com 2000/14/CE)	100 dB(A)
Vibração a_h	1,351 m/s ² $K=1,5$ m/s ²

- O valor total declarado da vibração foi medido de acordo com um método de teste padrão e pode ser usado para comparar duas ferramentas;
- O valor total declarado da vibração também pode ser usado numa avaliação preliminar da exposição.

AVISO: A emissão de vibrações durante a utilização da ferramenta elétrica pode diferir do valor declarado em que a ferramenta é usada. De modo a proteger o utilizador, este deverá utilizar luvas e proteção auditiva nas condições atuais de utilização.

LISTA DE PEÇAS

NOME DA PEÇA	QUANTIDADE
Soprador	1
Tubo do soprador	1
Bocal chato do soprador	1
Manual do instruções	1

DESCRIÇÃO

CONHEÇA O SEU SOPRADOR (Fig. A)

1. Botão de libertação da bateria
2. Pega revestida
3. Gatilho
4. Botão de boost
5. Manipulo de ajuste da velocidade do ar
6. Botão de libertação do tubo
7. Tubo do soprador
8. Saída de ar
9. Entrada de ar
10. Mecanismo de ejeção
11. Ranhura de montagem
12. Contactos elétricos
13. Aba
14. Montagem de alça

AVISO: A utilização segura deste produto requer uma compreensão da informação na ferramenta e neste manual de instruções, bem como o conhecimento do trabalho que vai efetuar. Antes de utilizar este produto, familiarize-se com as características de funcionamento e regras de segurança.

FUNCIONAMENTO

AVISO: Não deixe que a sua familiaridade com o produto o torne descuidado. Lembre-se, uma fração de segundo de desatenção é suficiente para infligir ferimentos graves.

AVISO: Não tente modificar este produto nem criar acessórios que não sejam recomendados para utilizar com este soprador. Qualquer alteração ou modificação é considerada uma má utilização e pode dar origem a perigos, que podem levar a possíveis lesões pessoais sérias.

PT

⚠ AVISO: Retire sempre a bateria do produto quando estiver a montar peças, fazer ajustes, limpar ou quando não em uso. Retirar a bateria evita um arranque acidental que poderia causar lesões pessoais sérias.

Antes de cada utilização, inspecione todo o produto quanto a peças danificadas, em falta ou soltas, como parafusos, porcas, tampas, etc. Aperte bem todos os fixadores e tampas e não utilize este produto até que todas as peças em falta ou danificadas sejam substituídas.

APLICAÇÃO

Pode usar este produto com os intuitos listados em baixo:

- Limpar superfícies duras, como passeios e entradas.
- Mantenha as coberturas e entradas desobstruídas de folhas e caruma.

AVISO: A ferramenta só deve ser utilizada para o seu propósito destinado. Qualquer outra utilização será considerada má utilização.

MONTAR/RETIRAR O TUBO DO SOPRADOR

■ Para montar (Fig. B)

Alinhe a ranhura e empurre o tubo para a estrutura do soprador até ouvir um “clique”.

■ Para retirar (Fig. C)

Prima o botão de libertação do tubo e puxe o tubo para fora.

INSTALAR/RETIRAR A BATERIA (Fig. D)

Carregue antes da primeira utilização.

■ Para instalar

Alinhe as abas da bateria com as ranhuras de fixação e empurre a bateria para baixo até ouvir um “clique”.

■ Para retirar

Prima o botão de libertação da bateria e puxe a bateria para fora.

⚠ AVISO: Tome sempre nota da localização dos seus pés, de crianças ou animais quando premir o botão de libertação da bateria. Se a bateria cair, podem ocorrer lesões sérias. NUNCA retire a bateria num local elevado.

LIGAÇÃO/PARAGEM DO SOPRADOR (Fig. E)

■ Para ligar

Prima o gatilho sem soltar. Após algum tempo, o soprador começa a funcionar.

■ Para parar

Liberte o gatilho.

AJUSTE A VELOCIDADE DO AR

■ Para aumentar/diminuir a velocidade do ar

Rode o manípulo de ajuste a velocidade do ar no sentido dos ponteiros do relógio/sentido inverso ao dos ponteiros do relógio.

■ Para aumentar a velocidade do ar

Prima o botão “Boost” para obter uma velocidade a ar máxima.

AVISO: Depois do botão “Boost” ser solto, o soprador reinicia a velocidade inferior.

OPERAR O SOPRADOR

- Para evitar dispersar o lixo, sopra em redor das extremidades de um monte de lixo. Nunca sopra directamente para o centro do monte.
- Para reduzir os níveis de ruído, limite o número de peças de equipamento usadas de uma vez.
- Use ancinhos e vassouras para libertar o lixo antes de o soprar. Em condições poeirentas, embeba ligeiramente a superfície, se tiver água disponível.
- Poupe água, usando sopradores em vez de mangueiras para muitas aplicações em relvados e jardins, incluindo áreas como esgotos, redes, pátios, alpendres e jardins.
- Tenha cuidado com as crianças, animais, janelas abertas ou carros lavados recentemente e afaste os resíduos em segurança.
- Após utilizar o soprador ou outro equipamento, proceda à limpeza! Elimine os resíduos corretamente.

MANUTENÇÃO

⚠ AVISO: Quando fizer reparações, utilize apenas peças sobressalentes idênticas. A utilização de outras peças pode criar um perigo ou provocar danos no produto. Para assegurar a segurança e bom funcionamento, todas as reparações deverão ser efetuadas por um técnico de reparação qualificado.

⚠ AVISO: Para evitar lesões pessoais sérias, retire sempre a bateria do produto quando limpar ou efetuar qualquer manutenção.

MANUTENÇÃO GERAL

Evite utilizar solventes quando limpa peças plásticas. Grande parte dos plásticos pode ficar danificada devido a vários tipos de solventes comerciais e pode danificar-se com o uso. Utilize panos de limpeza para retirar sujidades, pó, óleo, gordura, etc.



AVISO: Nunca permita que o líquido dos travões, petróleo, produtos à base de petróleo, óleos penetrantes, etc., entrem em contacto com as peças de plástico. Os químicos podem danificar, enfraquecer ou destruir o plástico, o que pode dar origem a lesões pessoais sérias.

ARMAZENAMENTO

- Limpe todo o material estranho das entradas de ar do soprador.
- Guarde-o no interior, num local inacessível a crianças. Mantenha afastado de agentes corrosivos, como químicos de jardinagem e sais de degelo.

Proteção do ambiente



Não elimine o equipamento elétrico, o carregador da bateria e as baterias/baterias recarregáveis juntamente com o lixo doméstico comum!

De acordo com a norma europeia 2012/19/UE, o equipamento elétrico e eletrónico que deixe de ser usado, e de acordo com a norma europeia 2006/66/CE, as baterias gastas ou defeituosas têm de ser recolhidas em separado e eliminadas de um modo amigo do ambiente.

Se os equipamentos elétricos forem eliminados em aterros ou lixeiras, substâncias perigosas podem vazarem para os lençóis freáticos e entrar na cadeia de alimentação, danificando a sua saúde e bem-estar.

DECLARAÇÃO DE CONFORMIDADE CE

Nós, CHERVON EUROPE LTD.

47 CASTLE STREET, READING, RG1 7SR, UNITED KINGDOM

Declaramos que o produto **soprador com bateria de ião e lítio de 56V LB5300E**, Se encontra em conformidade com as normas essenciais e segurança e saúde das seguintes directivas:

2006/42/CE, 2004/108/CE, 2011/65/UE, 2000/14/CE

Normas e características técnicas relativas a:

EN60335-1, EN50636-2-100, EN62233, EN55014-1, EN55014-2

Nível de potência do som medido: 97 dB(A).

Nível de potência de som garantido: 100 dB(A).

PT

Peter Melrose
Vice-presidente da Chervon Europe
Chervon

Dong Jianxun
Gestor de Qualidade da
Chervon

* (Representante autorizado da CHERVON e responsável pela documentação técnica)

01/01/2016



RESOLUÇÃO DE PROBLEMAS

PROBLEMA	CAUSA	SOLUÇÃO
O soprador não funciona.	<ul style="list-style-type: none">■ A bateria não foi colocada no soprador.■ Não existe contacto elétrico entre o soprador e a bateria.■ A bateria está gasta.■ A bateria ou o soprador está demasiado quente.	<ul style="list-style-type: none">■ Fixe a bateria no soprador.■ Retire a bateria, verifique os contactos e volte a instalar a bateria.■ Carregue a bateria.■ Deixe a bateria e o soprador arrefecerem até que a temperatura atinja menos de 67 °C.
A velocidade do ar diminui significativamente.	<ul style="list-style-type: none">■ Desgaste excessivo da ventoinha do motor.■ A entrada do ar está obstruída por resíduos.	<ul style="list-style-type: none">■ Contacte o centro de reparação da EGO para efetuar a reparação.■ Retire a bateria e limpe os resíduos.

PT

GARANTIA

POLÍTICA DE GARANTIA EGO

Por favor, visite o website egopowerplus.com para saber todos os termos e condições da política de garantia EGO.

LEGGERE TUTTE LE ISTRUZIONI!



LEGGERE E COMPRENDERE LE ISTRUZIONI

ATTENZIONE! Queste istruzioni sono disponibili anche in un formato alternativo, ad esempio su un sito web.

⚠️ Rischi residui! Le persone portatrici di dispositivi elettronici, ad esempio pacemaker, devono consultare il proprio medico prima di usare questo prodotto. L'utilizzo di apparecchi elettrici in prossimità di pacemaker cardiaci comporta il rischio di interferenze o malfunzionamento del pacemaker.

⚠️ AVVERTENZA! Per garantire sicurezza e affidabilità, tutte le riparazioni e sostituzioni devono essere eseguite da un tecnico qualificato.

SIMBOLI DI SICUREZZA

Lo scopo dei simboli di sicurezza è attirare l'attenzione dell'operatore su possibili pericoli. I simboli di sicurezza e le relative spiegazioni richiedono la massima attenzione e comprensione da parte dell'operatore. Le avvertenze espresse dai simboli, da sole, non eliminano tutti i rischi. Le istruzioni e le avvertenze non sostituiscono le adeguate misure di prevenzione contro gli incidenti.

⚠️ AVVERTENZA! Accertarsi di aver letto e compreso tutte le istruzioni di sicurezza in questo manuale, inclusi tutti i simboli di avvertenza come **"PERICOLO"**, **"AVVERTENZA"** e **"ATTENZIONE"**, prima di usare questo apparecchio. Il mancato rispetto di tutte le istruzioni elencate di seguito comporta il rischio di scossa elettrica, incendio e/o lesioni gravi.

MESSAGGI INFORMATIVI E DI PREVENZIONE DEI DANNI

Questi messaggi comunicano all'utente informazioni importanti e/o istruzioni che, se non rispettate, possono danneggiare l'apparecchio o altre proprietà. Ogni messaggio è preceduto dalla parola **"ATTENZIONE"**, come nel seguente esempio:

ATTENZIONE! Il mancato rispetto di queste istruzioni può causare danni all'apparecchio e/o altre proprietà.



⚠️ AVVERTENZA! L'uso di apparecchi elettrici può causare il lancio di oggetti estranei verso l'operatore, con il rischio di gravi lesioni agli occhi.

Durante l'uso dell'apparecchio, indossare sempre occhiali protettivi o occhiali di sicurezza con protezioni laterali e, se necessario, una maschera

facciale. Si consiglia di indossare una maschera di sicurezza con ampio campo visivo sopra gli occhiali o gli occhiali di sicurezza standard con protezioni laterali.

ISTRUZIONI DI SICUREZZA

Questa pagina illustra e descrive i simboli di sicurezza che possono comparire sul prodotto. Leggere, comprendere e seguire tutte le istruzioni sull'apparecchio prima di tentare di assemblarlo e ripararlo.

IT

	Avvertenza di sicurezza	Precauzioni relative alla sicurezza dell'operatore.
	Indossare protezioni per gli occhi	Durante l'uso del prodotto, indossare sempre occhiali protettivi o occhiali di sicurezza con protezioni laterali e una maschera facciale.
	Indossare protezioni per le orecchie	Durante l'uso del prodotto, indossare sempre protezioni per le orecchie.
	Leggere il manuale di istruzioni	Per ridurre il rischio di infortunio, l'utente deve leggere e comprendere tutte le istruzioni prima di usare questo prodotto.
	Tenere lontane le altre persone	Tenere eventuali altre persone ad almeno 15m di distanza.
	Apparecchio di classe II	Apparecchio dotato di doppio isolamento.
	Non esporre a umidità	Non usare l'apparecchio in caso di pioggia e non lasciarlo all'aperto quando piove.
V	Volt	Voltaggio
A	Ampere	Corrente
Hz	Hertz	Frequenza (cicli al secondo)
W	Watt	Potenza
min	Minuti	Tempo

m ³ /h	Metri cubi all'ora	Volume dell'aria
km/h	Chilometri all'ora	Velocità dell'aria
	Corrente alternata	Tipo di corrente
	Corrente continua	Tipo o caratteristica della corrente
n ₀	Velocità a vuoto	Velocità di rotazione, senza carico
.../min	Al minuto	Rotazioni al minuto

Durante l'uso di apparecchi elettrici è necessario rispettare alcune elementari norme di sicurezza, tra cui le seguenti:

IT

AVVERTENZE DI SICUREZZA GENERALI PER TUTTI GLI UTENSILI ELETTRICI

⚠ AVVERTENZA! Leggere tutte le istruzioni e le avvertenze di sicurezza. Il mancato rispetto delle avvertenze e istruzioni può provocare scosse elettriche, incendi e/o gravi infortuni.

Conservare tutte le avvertenze e le istruzioni per riferimento futuro.

Il termine "utensile elettrico" nelle avvertenze si riferisce a un utensile elettrico alimentato da una rete elettrica (con cavo) o a batterie (senza cavo).

SICUREZZA DELL'AREA DI LAVORO

- **Mantenere l'area di lavoro pulita e ben illuminata.** Aree ingombre e ombreggiate favoriscono gli incidenti.
- **Non usare gli utensili elettrici in atmosfere esplosive, ad esempio in presenza di liquidi infiammabili, benzina o polvere.** Gli utensili elettrici producono scintille suscettibili di dare fuoco a polveri o vapori.
- **Tenere eventuali altre persone e bambini lontane durante l'uso di un utensile elettrico.** Le distrazioni comportano il rischio di perdita di controllo.

SICUREZZA ELETTRICA

- **La spina dell'utensile elettrico deve essere adeguata alla presa in cui verrà inserita. Non modificare la spina in alcun modo. Non usare adattatori con utensili elettrici messi a terra (o a massa).** Spine non modificate e prese adatte riducono il rischio di scossa elettrica.

- **Evitare il contatto del corpo con superfici messe a terra o a massa, ad esempio tubi, radiatori, fornelli e frigoriferi.** Il rischio di scossa elettrica aumenta se il proprio corpo è messo a terra o a massa.
- **Non esporre gli utensili elettrici a pioggia o condizioni di umidità.** La penetrazione di acqua all'interno di un utensile elettrico aumenta il rischio di scossa elettrica.
- **Non danneggiare il cavo di alimentazione. Non usare mai il cavo per trasportare, tirare o scollegare l'utensile elettrico. Tenere il cavo al riparo da calore, olio, bordi taglienti o parti in movimento.** Cavi danneggiati o aggrovigliati aumentano il rischio di scossa elettrica.
- **Durante l'uso di un utensile elettrico all'aperto, usare una prolunga progettata appositamente per ambienti esterni.** L'uso di un cavo adatto agli ambienti esterni riduce il rischio di scossa elettrica.
- **Se è necessario usare l'utensile elettrico in un ambiente umido, usare una rete di alimentazione protetta da un interruttore differenziale.** L'uso di un interruttore differenziale (RCD) riduce il rischio di scossa elettrica.

SICUREZZA PERSONALE

- **Rimanere vigili, prestare attenzione a ciò che si sta facendo e usare il buon senso durante l'uso dell'utensile elettrico. Non usare l'utensile elettrico se si è stanchi o sotto l'effetto di droghe, alcol o medicinali.** Anche un solo momento di disattenzione durante l'uso dell'utensile elettrico comporta il rischio di lesioni gravi.
- **Indossare attrezzatura di protezione. Indossare sempre protezioni per gli occhi.** Se le condizioni lo richiedono, indossare anche maschere antipolveri, calzature antiscivolo, caschi o protezioni per le orecchie per ridurre il rischio di infortunio.
- **Prevenire l'avvio accidentale. Verificare che l'interruttore sia in posizione di spegnimento prima di raccogliere, trasportare o collegare l'utensile elettrico alla rete elettrica e/o al gruppo batteria.** Trasportare un utensile elettrico con il dito sull'interruttore o inserire il gruppo batteria quando l'interruttore è in posizione di accensione favorisce gli incidenti.
- **Rimuovere eventuali chiavi di serraggio prima di accendere l'utensile elettrico.** Una chiave di serraggio rimasta inserita in un elemento mobile dell'utensile elettrico può provocare infortuni.
- **Non allungarsi eccessivamente. Tenere i piedi a contatto con il pavimento e mantenere sempre l'equilibrio.** Ciò permette di avere un maggiore controllo dell'utensile elettrico in caso di imprevisti.

- **Vestirsi adeguatamente. Non indossare indumenti ampi o gioielli. Tenere i capelli, gli indumenti e le mani lontano dalle parti mobili.** Indumenti ampi, gioielli o capelli lunghi possono rimanere impigliati nelle parti in movimento.
- **Se sono presenti dispositivi di aspirazione e trattenimento delle polveri, assicurarsi che siano collegati e usati correttamente.** Tali dispositivi possono ridurre i rischi legati alle polveri.

USO E MANUTENZIONE DEGLI UTENSILI ELETTRICI

- **Non forzare l'utensile elettrico. Usare l'utensile elettrico adatto al lavoro da effettuare.** L'utensile elettrico adatto sarà più efficace e sicuro se usato al regime per cui è stato progettato.
- **Non usare l'utensile elettrico se l'interruttore non funziona correttamente** Gli utensili elettrici che non possono essere accesi e spenti correttamente sono pericolosi e devono essere riparati.
- **Scollegare la spina dalla presa di corrente e/o rimuovere il gruppo batteria prima di regolare o riporre l'utensile elettrico o di sostituire gli accessori.** Tale misura di sicurezza riduce il rischio di avvio accidentale dell'utensile elettrico.
- **Riporre gli utensili elettrici fuori dalla portata dei bambini e non consentirne l'uso a persone che non lo sanno usare o non hanno letto queste istruzioni.** Gli utensili elettrici diventano strumenti pericolosi nelle mani di persone che non sanno usarli.
- **Mantenere gli utensili elettrici in buono stato. Verificare che le parti mobili non siano disallineate o piegate e che non siano presenti danni o altre condizioni che potrebbero compromettere il funzionamento dell'utensile elettrico. Se danneggiato, fare riparare l'utensile elettrico prima di usarlo.** Molti incidenti sono dovuti a una cattiva manutenzione degli utensili elettrici.
- **Mantenere gli utensili elettrici puliti e affilati.** Gli utensili di taglio mantenuti puliti e affilati hanno meno probabilità di subire malfunzionamenti e sono più facili da controllare.
- **Usare l'utensile elettrico, gli accessori, le punte, ecc. conformemente a queste istruzioni, tenendo conto delle condizioni di lavoro e delle operazioni da eseguire.** L'uso dell'utensile elettrico per operazioni diverse da quelle per cui è progettato può comportare situazioni di pericolo.

USO E MANUTENZIONE DELLA BATTERIA

- **Ricaricare la batteria esclusivamente con il caricabatteria specificato dal costruttore.** Un caricabatteria adatto a un tipo di gruppo batteria può comportare il rischio di incendio se usato con un altro gruppo batteria.

- **Usare esclusivamente gruppi batteria progettati specificamente per questo utensile elettrico.** L'uso di altri gruppi batteria comporta il rischio di incendio e infortunio.
- **Quando la batteria non è in uso, tenerla lontana da piccoli oggetti metallici, ad esempio graffette, monete, chiavi, chiodi, viti ecc. poiché potrebbero creare un collegamento tra i due terminali.** L'eventuale cortocircuito dei terminali della batteria comporta il rischio di incendio o di ustioni.
- **L'utilizzo improprio dell'utensile elettrico può causare fuoriuscite di liquido dalla batteria: evitare il contatto con tale liquido. In caso di contatto accidentale, lavare con acqua. Se il liquido entra in contatto con gli occhi, consultare un medico.** Il liquido fuoriuscito dalla batteria può causare irritazioni o ustioni.

RIPARAZIONI

- **Affidare la riparazione dell'utensile elettrico a tecnici qualificati usando esclusivamente parti di ricambio identiche.** Ciò salvaguarderà la sicurezza dell'utensile elettrico.

LEGGERE TUTTE LE ISTRUZIONI PRIMA DI USARE QUESTO PRODOTTO!

FORMAZIONE ALL'USO DELL'APPARECCHIO

- **Leggere attentamente le istruzioni.** Familiarizzare con i comandi e l'uso corretto dell'apparecchio.
- **Non consentire l'uso dell'apparecchio a bambini, persone con ridotte capacità fisiche, sensoriali o mentali o prive di esperienza o conoscenza o persone che non hanno letto queste istruzioni.**
- **Non fare mai utilizzare l'apparecchio a persone che non ne conoscono il funzionamento.** Normative locali possono limitare l'uso in base all'età.
- **Non azionare mai l'apparecchio se sono presenti persone, soprattutto bambini, o animali nelle vicinanze.**
- **L'operatore o utente è responsabile per incidenti o rischi causati ad altre persone o proprietà.**

PREPARAZIONE

- **Durante l'uso dell'apparecchio, indossare sempre scarpe robuste e pantaloni lunghi.**
- **Non indossare abiti larghi o gioielli che potrebbero essere aspirati nella presa d'ingresso dell'aria.** Tenere i capelli lontani dalle prese d'ingresso dell'aria.
- **Durante l'uso dell'apparecchio, indossare occhiali di protezione.**

IT

- Per evitare irritazioni da polvere, si consiglia di indossare una maschera facciale.
- Prima dell'uso, controllare che le batterie o il gruppo batteria siano privi di danni. Non usare l'apparecchio se le batterie o il gruppo batteria sono danneggiati.
- Non usare l'apparecchio se un dispositivo di protezione o di sicurezza è difettoso o senza che tutti i componenti siano installati, ad esempio senza il sacco di raccolta.

FUNZIONAMENTO

- **Scollegare le batterie o il gruppo batteria:**
 1. prima di lasciare l'apparecchio incustodito;
 2. prima di eliminare un'ostruzione;
 3. prima di controllare, pulire o eseguire lavori sull'apparecchio;
 4. se l'apparecchio inizia a vibrare in modo anomalo.
- Usare l'apparecchio solo alla luce del giorno o con una buona illuminazione artificiale.
- Non allungare eccessivamente il corpo e mantenere sempre l'equilibrio.
- Puntare bene i piedi sui terreni pendenti.
- Durante l'uso dell'apparecchio, camminare e non correre.
- Tenere sempre pulite le prese d'ingresso dell'aria eliminando le eventuali ostruzioni.
- Non soffiare mai le foglie nella direzione di altre persone.
- Usare l'apparecchio esclusivamente in orari ragionevoli: non la mattina presto o la sera tardi, per evitare di disturbare altre persone.
- Usare rastrelli e scope per smuovere i detriti prima di soffiarli.
- Se l'area di lavoro è polverosa, inumidire leggermente la superficie o usare l'accessorio nebulizzatore.

AVVERTENZA! Rischio di parti rotanti!

- Usare la bocchetta del soffiatore in tutta la sua estensione affinché il flusso d'aria lavori in prossimità del suolo.
- Non usare l'apparecchio in prossimità di finestre aperte, ecc.

MANUTENZIONE E CONSERVAZIONE

- Verificare che tutti i dadi, le viti e i bulloni siano serrati e che l'apparecchio funzioni correttamente.

- Controllare frequentemente che il sacco di raccolta non sia usurato o danneggiato.
- Se necessario, sostituire le parti usurate o danneggiate.
- Usare esclusivamente accessori e parti di ricambio originali.
- Riporre l'apparecchio esclusivamente in luoghi asciutti.

AVVERTENZA! Per garantire sicurezza e affidabilità, tutte le riparazioni e sostituzioni devono essere eseguite da un tecnico qualificato.

AVVERTENZA! Per ridurre il rischio di incendio, scossa elettrica o infortunio:
IMPORTANTE! LEGGERE ATTENTAMENTE PRIMA DELL'USO.
CONSERVARE PER RIFERIMENTO FUTURO.

- **Familiarizzarsi con il soffiatore. Leggere attentamente le istruzioni. Studiare le applicazioni e le limitazioni del soffiatore e i relativi rischi specifici.** Il rispetto di questa istruzione riduce il rischio di scossa elettrica, incendio o infortunio.
- **Non esporre il soffiatore a pioggia o condizioni di umidità.** La penetrazione di acqua all'interno del soffiatore aumenta il rischio di scossa elettrica.
- **Il soffiatore non deve essere usato come giocattolo.** Prestare particolare attenzione quando il soffiatore viene usato da o in presenza di bambini.
- Usare il soffiatore esclusivamente come descritto in questo manuale. Usare esclusivamente gli accessori raccomandati dal costruttore.
- Se il soffiatore presenta malfunzionamenti, ha subito cadute, è danneggiato, è stato lasciato all'aperto o è caduto in acqua, portarlo presso un centro di assistenza.
- Non maneggiare il caricabatteria, inclusa la spina del caricabatteria, o i terminali del caricabatteria con le mani bagnate.
- Non inserire alcun oggetto nelle aperture di ventilazione. Non usare il soffiatore se una o più aperture di ventilazione sono ostruite; mantenere le aperture di ventilazione prive di polvere, fibre, capelli e qualsiasi altro materiale suscettibile di ridurre il flusso d'aria.
- Tenere capelli, indumenti ampi, dita e tutte le parti del corpo lontane dalle aperture di ventilazione e dalle parti in movimento. Indumenti ampi, gioielli o capelli lunghi possono essere aspirati nelle aperture di ventilazione.

- **Raccogliere i capelli lunghi sopra l'altezza delle spalle per evitare che si impiglino nelle parti in movimento.**
- **Prestare particolare attenzione durante l'uso del soffiatore su scale.**
- **Non ricaricare il gruppo batteria all'aperto.**
- **Per ricaricare il soffiatore, usare esclusivamente il caricabatteria fornito dal costruttore.**
- **Non lasciare il soffiatore incustodito quando la batteria è inserita.** Rimuovere la batteria quando il soffiatore non è in uso e prima di effettuare qualsiasi operazione di manutenzione.
- **Non usare il soffiatore in atmosfere esplosive, ad esempio in presenza di liquidi, gas o polveri infiammabili.** I soffiatori producono scintille suscettibili di dare fuoco a polveri o vapori.
- **Usare il soffiatore a batteria esclusivamente con il gruppo batteria specificamente progettato.** L'uso di altri tipi di batteria comporta il rischio di incendio.
- Usare il soffiatore esclusivamente con i gruppi batteria e caricabatteria elencati di seguito.

GRUPPO BATTERIA	CARICABATTERIA
BA1120E, BA2240E, BA2800, BA3360, BA4200	CH5500E, CH2100E

AVVERTENZA!

- Il gruppo batteria deve essere rimosso dall'apparecchio prima che sia smaltito.
- La batteria deve essere smaltita in modo sicuro.
- **Rimanere vigili, prestare attenzione a ciò che si sta facendo e usare il buon senso durante l'uso del soffiatore. Non usare il soffiatore se si è stanchi, turbati o sotto l'effetto di droghe, alcol o medicinali.** Anche un solo momento di disattenzione durante l'uso del soffiatore comporta il rischio di lesioni gravi.
- **Evitare l'avvio accidentale. Verificare che l'interruttore sia bloccato o in posizione di spegnimento prima di inserire il gruppo batteria.** Trasportare il soffiatore con il dito sull'interruttore o inserire il gruppo batteria quando l'interruttore è in posizione di accensione favorisce gli incidenti.
- **Usare attrezzatura di sicurezza. Indossare sempre protezioni per gli occhi.** È necessario indossare maschere facciali, scarpe antiscivolo di sicurezza, caschi o protezioni per le orecchie nelle condizioni appropriate.

- **Non usare l'apparecchio su scale, tetti, alberi o altri supporti instabili.** Un appoggio stabile su una superficie solida garantisce un miglior controllo del soffiatore in situazioni inaspettate.
- Prestare sempre attenzione ai propri piedi e all'eventuale presenza di bambini o animali attorno a sé durante la rimozione del gruppo batteria dal soffiatore. **La caduta del gruppo batteria comporta il rischio di lesioni gravi. Non rimuovere MAI il gruppo batteria quando si è in posizione elevata.**
- **Non usare il soffiatore se l'interruttore non funziona.** Un apparecchio che non può essere controllato dall'interruttore è pericoloso e deve essere riparato.
- **Scollegare il gruppo batteria dal soffiatore prima di riportarlo, apportare qualsiasi modifica o sostituire gli accessori.** Tali precauzioni riducono il rischio di avvio involontario del soffiatore.
- **Spegnere tutti i comandi prima di rimuovere la batteria.**
- **NON tentare di rimuovere le ostruzioni dall'apparecchio senza aver prima rimosso la batteria.**
- **Verificare che le parti mobili non siano disallineate o piegate e che non siano presenti danni o altre condizioni suscettibili di compromettere il funzionamento del soffiatore. Se il soffiatore è danneggiato, farlo riparare prima di riutilizzarlo.** Molti incidenti sono provocati da apparecchi sottoposti a una cattiva manutenzione.
- **Tenere il soffiatore e l'impugnatura puliti e privi di olio e grasso.** Usare sempre un panno pulito durante la pulizia. Non usare mai liquido per freni, benzina, prodotti a base di petrolio o solventi aggressivi per pulire il soffiatore. Il rispetto di questa istruzione evita il deterioramento delle superfici in plastica e riduce il rischio di perdita di controllo.
- **Indossare sempre occhiali di sicurezza con protezioni laterali.** Gli occhiali comuni sono dotati esclusivamente di lenti resistenti agli urti. NON sono occhiali di sicurezza. Il rispetto di questa istruzione riduce il rischio di lesioni agli occhi.
- **Proteggere le proprie vie respiratorie. Indossare una maschera facciale se l'ambiente è polveroso.** Il rispetto di questa istruzione riduce il rischio di lesioni gravi.
- **Proteggere il proprio udito. Indossare protezioni per le orecchie durante periodi prolungati di utilizzo.** Il rispetto di questa istruzione riduce il rischio di lesioni gravi.

IT

- **I soffiatori a batteria non hanno bisogno di essere collegati a un impianto elettrico; pertanto sono sempre in condizioni operative. Essere consapevoli dei possibili rischi quando il soffiatore a batteria non è in uso o durante la sostituzione di accessori.** Il rispetto di questa istruzione riduce il rischio di scossa elettrica, incendio o infortunio.
- **Indossare pantaloni lunghi e pesanti, maniche lunghe, stivali e guanti.** Evitare indumenti larghi o gioielli perché potrebbero impigliarsi nelle parti in movimento dell'apparecchio o nel motore.
- **Non usare l'apparecchio a piedi nudi o indossando sandali o altre calzature leggere.** Indossare calzature protettive per proteggere i piedi e migliorare il proprio equilibrio sulle superfici scivolose.
- **Le batterie possono esplodere in presenza di una fonte di accensione, ad esempio una fiamma pilota.** Per ridurre il rischio di lesioni gravi, non usare mai apparecchi alimentati a batteria in presenza di fiamme libere. L'esplosione di una batteria comporta il lancio di detriti e sostanze chimiche. In caso di esposizione, risciacquare immediatamente con acqua.
- **Mantenere sempre una posizione salda e in equilibrio. Non allungarsi eccessivamente.** Allungarsi eccessivamente comporta il rischio di perdita di controllo.
- **Ispezionare l'area di lavoro prima di ogni utilizzo.** Rimuovere oggetti come pietre, vetri rotti, chiodi, cavi o corde perché potrebbero venire lanciati o impigliarsi nell'apparecchio.
- **Non dirigere il tubo del soffiatore verso persone o animali.**
- **Non mettere in funzione l'apparecchio senza aver installato i componenti necessari.** Verificare sempre che il tubo del soffiatore sia installato.
- **Quando non è in uso, il soffiatore deve essere conservato in un luogo asciutto e sicuro, fuori dalla portata dei bambini.**
- **Tenere le altre persone, i bambini e gli animali ad almeno 15m di distanza.**
- **Il soffiatore deve essere riparato esclusivamente da personale qualificato.** Le operazioni di riparazione o manutenzione eseguite da personale non qualificato comportano il rischio di lesioni.
- **Durante la riparazione del soffiatore, usare esclusivamente parti di ricambio identiche.** Seguire le istruzioni riportate alla sezione "Manutenzione" di questo manuale. L'uso di parti non autorizzate o il mancato rispetto delle istruzioni di manutenzione comportano il rischio di scossa elettrica o infortunio.
- **Non usare mai il soffiatore in prossimità di fuochi o cenere ardente.** L'uso in prossimità di fiamme o cenere comporta il rischio di incendio e il conseguente rischio di lesioni gravi e/o danni materiali.
- **Non usare mai il soffiatore per diffondere sostanze chimiche, fertilizzanti o altre sostanze tossiche.** La diffusione di tali sostanze comporta il rischio di lesioni gravi all'operatore o alle persone presenti.
- **Non appoggiare mai il soffiatore quando il motore è in funzione, tranne che su superfici dure e pulite.** Ghiaia, sabbia e altri detriti possono entrare nelle prese d'ingresso dell'aria ed essere lanciati verso l'operatore o le altre persone presenti, causando lesioni gravi.
- **Conservare queste istruzioni.** Consultarle frequentemente e usarle per istruire gli altri utenti dell'apparecchio. Se si presta questo apparecchio ad altre persone, allegare anche queste istruzioni per evitare l'uso errato dell'apparecchio e il rischio di infortunio.

CONSERVARE QUESTE ISTRUZIONI!

IT

SPECIFICHE TECNICHE

Voltaggio	56V
Velocità a vuoto	Boost: 23000 /min
	Alta: 18000 /min
	Bassa: 10000 /min
Volume dell'aria	Boost: 900 m³/h
	Alta: 675 m³/h
	Bassa: 440 m³/h
Velocità dell'aria	Boost: 176 km/h
	Alta: 136 km/h
	Bassa: 80 km/h
Autonomia approssimativa (con batteria EGO 2,5 Ah)	10 min (boost)
	23 min (alta velocità)
	75 min (bassa velocità)
Peso (senza gruppo batteria)	2,18 kg
Livello di potenza sonora misurato L_{WA}	97 dB(A) $K_{WA}=2,5$ dB(A)
Livello di pressione sonora a livello dell'orecchio dell'operatore L_{PA}	81,8 dB(A) $K_{PA}=2,5$ dB(A)
Livello di potenza sonora garantito L_{WA} (misurato conformemente a 2000/14/EC)	100 dB(A)
Vibrazioni a_h	1,351 m/s ² $K=1,5$ m/s ²

- Il valore totale di vibrazioni indicato è stato misurato tramite il metodo di collaudo standard e può essere utilizzato per confrontare l'apparecchio con altri prodotti analoghi.
- Il valore totale di vibrazioni indicato può essere utilizzato anche per una valutazione preliminare dei livelli di esposizione.

ATTENZIONE! L'emissione di vibrazioni durante l'uso effettivo dell'apparecchio può variare rispetto al valore indicato in base a come viene utilizzato l'utensile. Per proteggersi, l'operatore deve indossare guanti e dispositivi di protezione per le orecchie in base alle reali condizioni d'uso.

CONTENUTO DELLA CONFEZIONE

NOME DEL COMPONENTE	QUANTITÀ
Soffiatore	1
Tubo del soffiatore	1
Bocchetta piatta	1
Manuale di istruzioni	1

DESCRIZIONE

DESCRIZIONE DEL SOFFIATORE (Fig. A)

1. Pulsante di rilascio della batteria
2. Impugnatura sovrastampata
3. Interruttore a grilletto
4. Pulsante Boost
5. Manopola di regolazione della velocità dell'aria
6. Pulsante di rilascio del tubo
7. Tubo del soffiatore
8. Uscita dell'aria
9. Ingresso dell'aria
10. Meccanismo di espulsione
11. Scanalatura di assemblaggio
12. Contatti elettrici
13. Dispositivo di chiusura
14. Attacco per tracolla

AVVERTENZA! L'uso sicuro di questo apparecchio richiede la comprensione delle informazioni riportate sull'apparecchio e in questo manuale e la conoscenza del progetto di lavoro. Prima di usare l'apparecchio, familiarizzarsi con tutte le funzioni operative e le norme di sicurezza.

FUNZIONAMENTO

AVVERTENZA! La familiarità con questo apparecchio non deve rendere l'operatore disattento. Anche un solo momento di disattenzione comporta il rischio di lesioni gravi.

AVVERTENZA! Non tentare di modificare l'apparecchio o creare accessori non raccomandati per l'uso con questo soffiatore. Tali alterazioni o modifiche costituiscono un uso improprio e comportano condizioni pericolose e il rischio di lesioni gravi.

IT

AVVERTENZA! Rimuovere sempre il gruppo batteria dall'apparecchio durante l'assemblaggio dei componenti, prima delle operazioni di manutenzione e pulizia e quando non è in uso. La rimozione del gruppo batteria impedisce l'avvio accidentale e il conseguente rischio di lesioni gravi.

Prima di ogni utilizzo, ispezionare l'intero apparecchio per verificare che nessun elemento sia mancante e non siano presenti componenti danneggiati o allentati, ad esempio viti, dadi, bulloni, tappi, ecc. Serrare saldamente tutti i dispositivi di fissaggio e le coperture e non usare l'apparecchio finché tutti componenti mancanti o danneggiati non vengono sostituiti.

DESTINAZIONE D'USO

Questo prodotto può essere usato per gli scopi elencati di seguito:

- Pulire superfici dure come vialetti e passerelle.
- Mantenere pedane e vialetti privi di foglie e aghi di pino.

ATTENZIONE! Usare l'apparecchio esclusivamente per gli scopi previsti. Altri utilizzi sono da considerarsi uso improprio.

INSTALLARE/RIMUOVERE IL TUBO DEL SOFFIATORE

■ Installazione (Fig. B)

Allineare la scanalatura e premere il tubo nel corpo dell'apparecchio fino a udire un "clic".

■ Rimozione (Fig. C)

Premere il pulsante di rilascio del tubo ed estrarre il tubo.

INSTALLARE/RIMUOVERE IL GRUPPO BATTERIA (Fig. D)

Ricaricare prima del primo utilizzo.

■ Installazione

Allineare i rilievi sul gruppo batteria con le scanalature di assemblaggio e premere il gruppo batteria fino a udire un "clic".

■ Rimozione

Premere il pulsante di rilascio della batteria ed estrarre il gruppo batteria.

AVVERTENZA! Prestare sempre attenzione ai propri piedi e all'eventuale presenza di bambini o animali attorno a sé durante la rimozione del gruppo batteria. La caduta del gruppo batteria comporta il rischio di lesioni gravi. Non rimuovere MAI il gruppo batteria quando si è in posizione elevata.

AVVIARE/ARRESTARE IL SOFFIATORE (Fig. E)

■ Avvio

Tenere premuto l'interruttore a grilletto. Dopo qualche istante il soffiatore entrerà in funzione.

■ Arresto

Rilasciare l'interruttore a grilletto.

REGOLARE LA VELOCITÀ DELL'ARIA

■ Aumentare/ridurre la velocità dell'aria

Ruotare la manopola di regolazione della velocità dell'aria in senso orario/antiorario.

■ Potenziare la velocità dell'aria

Premere il pulsante Boost per ottenere la massima velocità dell'aria.

ATTENZIONE! Al rilascio del pulsante Boost, il soffiatore tornerà alla velocità precedente.

COME USARE IL SOFFIATORE

- Per evitare di spargere i detriti, soffiare lungo i bordi esterni del cumulo di detriti. Non soffiare mai direttamente verso il centro del cumulo.
- Per ridurre la rumorosità, limitare il numero di apparecchi utilizzati contemporaneamente.
- Usare rastrelli e scope per smuovere i detriti prima di soffiarli. In aree di lavoro polverose, inumidire leggermente le superfici, se possibile.
- Risparmiare acqua usando soffiatori a batteria invece di tubi per innaffiare per pulire grondaie, zanzariere, terrazzi, griglie, verande e giardini.
- Fare attenzione all'eventuale presenza di bambini, animali, finestre aperte o automobili appena lavate e soffiare i detriti in direzione opposta.
- Dopo l'uso di soffiatori o altri apparecchi, fare pulizia! Smaltire i detriti adeguatamente.

MANUTENZIONE

AVVERTENZA! Per la riparazione dell'apparecchio, usare esclusivamente parti di ricambio identiche. L'uso di altri ricambi comporta situazioni pericolose o il rischio di danni all'apparecchio. Per garantire sicurezza e affidabilità, tutte le riparazioni e sostituzioni devono essere eseguite da un tecnico qualificato.

AVVERTENZA! Per evitare lesioni gravi, rimuovere sempre il gruppo batteria dall'apparecchio prima delle operazioni di pulizia o manutenzione.



MANUTENZIONE GENERALE

Evitare l'uso di solventi durante la pulizia delle parti in plastica. La maggior parte dei materiali plastici può essere danneggiata da diversi tipi di solventi in commercio. Usare un panno pulito per rimuovere sporcizia, polvere, olio, grasso, ecc.

AVVERTENZA! Impedire il contatto di liquido per freni, benzina, prodotti a base di petrolio, oli penetranti, ecc. con le parti in plastica. Le sostanze chimiche possono danneggiare, indebolire o distruggere la plastica, comportando il rischio di lesioni gravi.

CONSERVAZIONE

- Rimuovere tutti i materiali estranei dalle aperture di ventilazione del soffiatore.
- Riporre l'apparecchio in un luogo al chiuso inaccessibile ai bambini. Tenerlo al riparo da agenti corrosivi, ad esempio sostanze chimiche per il giardinaggio e sale per disgelo.

Protezione dell'ambiente



Non smaltire gli apparecchi elettrici, caricabatteria e batterie/batterie ricaricabili insieme ai rifiuti indifferenziati!

Conformemente alle direttive europee 2012/19/EU e 2006/66/CE, i rifiuti di apparecchiature elettriche ed elettroniche, pile e accumulatori devono essere raccolti separatamente e smaltiti nel rispetto dell'ambiente.

Se gli apparecchi elettrici vengono smaltiti nelle discariche, le sostanze pericolose possono infiltrarsi nelle falde acquifere e contaminare la catena alimentare, con effetti dannosi sulla salute e il benessere.

DICHIARAZIONE DI CONFORMITÀ CE

Il costruttore, CHERVON EUROPE LTD.

47 CASTLE STREET, READING, RG1 7SR, UNITED KINGDOM

Dichiara che il prodotto **soffiatore a batteria agli ioni di litio 56V LB5300E**, è conforme ai requisiti in materia di salute e sicurezza fissati dalle seguenti direttive:

2006/42/EC, 2004/108/EC, 2011/65/EU, 2000/14/EC

Standard e specifiche tecniche secondo:

EN60335-1, EN50636-2-100, EN62233, EN55014-1, EN55014-2

Livello di potenza sonora misurato: 97 dB(A).

Livello di potenza sonora garantito: 100 dB(A).

Peter Melrose
Vice Presidente Chervon Europe

Dong Jianxun
Responsabile Qualità Chervon

* (Rappresentante autorizzato per CHERVON e responsabile della documentazione tecnica)

01/01/2016

IT

RISOLUZIONE DEI PROBLEMI

PROBLEMA	CAUSA	SOLUZIONE
Il soffiatore non funziona.	<ul style="list-style-type: none">■ Il gruppo batteria non è installato sul soffiatore.■ Il contatto elettrico tra il soffiatore e la batteria è mancante.■ Il gruppo batteria è scarico.■ Il gruppo batteria o il soffiatore sono troppo caldi.	<ul style="list-style-type: none">■ Installare il gruppo batteria sul soffiatore.■ Rimuovere la batteria, ispezionare i contatti e reinstallare il gruppo batteria.■ Ricaricare il gruppo batteria.■ Attendere che la temperatura del gruppo batteria e del soffiatore scenda al di sotto di 67°C.
La velocità dell'aria diminuisce visibilmente.	<ul style="list-style-type: none">■ La ventola del motore è usurata.■ La presa d'ingresso dell'aria è ostruita da detriti.	<ul style="list-style-type: none">■ Contattare il centro di assistenza EGO per la riparazione.■ Estrarre il gruppo batteria e rimuovere i detriti.

IT

GARANZIA

CONDIZIONI DELLA GARANZIA EGO

Visitare il sito web egopowerplus.com per consultare le condizioni complete della garanzia EGO.

LEES ALLE INSTRUCTIES!



LEES EN BEGRIJP DE GEBRUIKERSHANDLEIDING

OPMERKING: Deze instructies zijn ook als alternatief formaat verkrijgbaar, bijv. op een website.

⚠ Restrisico! Personen met elektronische apparaten, zoals pacemakers, moeten eerst hun art(sen) raadplegen voordat ze dit product mogen gebruiken. De werking van een elektrisch apparaat in de nabijheid van een pacemaker kan een storing of defect aan de pacemaker veroorzaken.

⚠ WAARSCHUWING: Om de veiligheid en betrouwbaarheid continu te kunnen waarborgen, dienen alle reparaties en vervangingen van onderdelen uitgevoerd te worden door een vakbekwame reparateur.

VEILIGHEIDSSYMBOLEN

Het doel van de veiligheidssymbolen is om u te wijzen op mogelijke gevaren. Besteed daarom voldoende aandacht hieraan en begrijp de veiligheidssymbolen en bijbehorende uitleg. De symboolwaarschuwingen op zich elimineren geen enkel gevaar. De gegeven instructies en waarschuwingen gelden niet als vervanging voor gepaste voorzorgsmaatregelen tegen ongevallen.

⚠ WAARSCHUWING: Lees en begrijp alle veiligheidsinstructies die in deze gebruikershandleiding zijn vermeld, waaronder alle veiligheidssymbolen zoals “GEVAAR”, “WAARSCHUWING”, en “OPGELET” voordat u dit apparaat in gebruik neemt. Het negeren van onderstaande instructies kan leiden tot elektrische schokken, brand en/of ernstig persoonlijk letsel.

SCHADEPREVENTIE EN INFORMATIEMEDELINGEN

Deze informeren de gebruiker over belangrijke informatie en/of instructies wat kan leiden tot schade aan het apparaat of andere eigendommen als deze niet correct worden opgevolgd. Elk bericht wordt voorafgegaan door het woord “MEDEDELING”, zoals in onderstaand voorbeeld.

OPMERKING: Schade aan apparaten en/of eigendommen kunnen zich voordoen als deze instructies niet worden opgevolgd.



⚠ WAARSCHUWING: e werking van het apparaat kan leiden tot het rondslingeren van (vreemde) objecten die in uw ogen kunnen terechtkomen. Dit kan leiden tot ernstig oogletsel. Wanneer u elektrische apparaten gebruikt, zorg er dan voor dat u altijd een veiligheidsbril (met zijschermen) of een gelaatsscherm draagt. We bevelen aan om een gelaatsscherm over uw bril of standaard veiligheidsbril met zijschermen te gebruiken.

VEILIGHEIDSVORSCHRIFTENS

Deze pagina toont en beschrijft alle veiligheidssymbolen die zich op dit product kunnen bevinden. Lees, begrijp en volg alle instructies op de machine voordat u deze in elkaar zet en gebruikt.

	Veiligheidswaarschuwing	Voorzorgsmaatregelen voor uw veiligheid.
	Draag oogbescherming	Draag altijd een veiligheidsbril met zijschermen en een gelaatsscherm als u dit product gebruikt.
	Draag oorbescherming	Draag altijd gehoorbescherming wanneer u dit product gebruikt.
	Lees de gebruikershandleiding	De gebruiker dient de gebruikershandleiding voor het gebruik van dit product te lezen en te begrijpen om risico op letsel te beperken.
	Houd omstanders uit de buurt	Houd alle omstanders minstens 15 meter uit de buurt.
	Klasse II constructie	Dubbel geïsoleerde constructie.
	Niet aan vocht blootstellen	Gebruik het apparaat niet in de regen en laat het tevens niet buiten achter als het regent.
V	Volt	Spanning
A	Ampère	Stroom
Hz	Hertz	Frequentie (cycli per seconde)
W	Watt	Vermogen

NL

min	Minuten	Tijd
m ³ /h	Kubieke meter per uur	Luchtvolume
km/h	Kilometer per uur	Luchtsnelheid
~	Wisselstroom	Stroomtype
≡	Gelijkstroom	Stroomtype of -karakteristiek
n ₀	Snelheid zonder belasting	Draaisnelheid, zonder belasting
.../min	Per minuut	Toeren per minuut

Volg altijd de standaard veiligheidsrichtlijnen als u een elektrisch apparaat gebruikt, met inbegrip van de volgende.

NL

ALGEMENE VEILIGHEIDSWAARSCHUWINGEN VOOR ELEKTRISCH GEREEDSCHAP

⚠ WAARSCHUWING: Lees alle veiligheidswaarschuwingen en alle instructies. Het niet opvolgen van de waarschuwingen en instructies kan tot een elektrisch schok, brand en/of ernstig letsel leiden.

Bewaar alle waarschuwingen en instructies voor toekomstig gebruik.

De term "elektrisch gereedschap" in de waarschuwingen refereert naar elektrisch gereedschap met een stroomkabel (kabelgebonden) of met een accu (kabelloos).

VEILIGHEID OP DE WERKPLEK

- **Houd de werkplek schoon en goed verlicht.** Verontreinigde of donkere omgevingen werken ongelukken in de hand.
- **Gebruik elektrisch gereedschap niet in een explosieve omgeving, zoals in de aanwezigheid van brandbare vloeistoffen, gassen of stof.** Elektrische gereedschappen veroorzaken vonken die stof of dampen kunnen ontsteken.
- **Houd kinderen en omstanders uit de buurt wanneer u een elektrisch gereedschap bedient.** Afleiding kan tot controleverlies leiden.

ELEKTRISCHE VEILIGHEID

- **De stekker van het elektrisch gereedschap moet met het stopcontact overeenstemmen. Pas de stekker op geen enkele manier aan. Gebruik geen adapterstekker met geaard elektrisch gereedschap.** Niet aangepaste stekkers en overeenkomstige stopcontacten beperken het risico op elektrische schokken.
- **Vermijd lichaamscontact met geaarde oppervlakken, zoals pijpleidingen, radiatoren, fornuizen of koelkasten.** Het risico op een elektrische schok is groter als uw lichaam geaard is.
- **Stel elektrisch gereedschap niet bloot aan regen of vochtige omstandigheden.** Water dat elektrisch gereedschap binnendringt, vergroot het risico op elektrische schokken.
- **Misbruik de kabel niet. Gebruik de kabel nooit om te dragen, te trekken of de stekker uit het stopcontact te trekken. Houd de kabel uit de buurt van hitte, olie, scherpe randen of bewegende onderdelen.** Beschadigde of in de war geraakte kabels vergroten het risico van een elektrische schok.
- **Als u buitenshuis met elektrische apparaten werkt, dient u een verlengkabel te gebruiken dat geschikt is voor gebruik buitenshuis.** Het gebruik van een kabel dat specifiek geschikt is voor gebruik buitenshuis vermindert het risico op een elektrische schok.
- **Als het gebruik van elektrisch gereedschap in een vochtige ruimte noodzakelijk is, gebruik dan een verliesstroomautomaat.** Het gebruik van een verliesstroomautomaat verkleint het risico op elektrische schokken.

PERSOONLIJKE VEILIGHEID

- **Wees attent, let op wat u gaat doen en gebruik uw gezonde verstand terwijl u een elektrisch gereedschap gebruikt. Gebruik geen elektrisch gereedschap wanneer u moe bent of onder invloed van drugs, alcohol of medicijnen staat.** Een moment van onoplettendheid tijdens het gebruik van het elektrisch gereedschap kan leiden tot ernstig persoonlijk letsel.
- **Maak gebruik van een persoonlijke beschermende uitrusting. Draag altijd oogbescherming.** Een beschermende uitrusting zoals een stofmasker, stroeve veiligheidsschoenen, een veiligheidshelm, of gehoorbescherming die onder de juiste omstandigheden worden gebruikt, zullen het risico op persoonlijk letsel reduceren.

- **Voorkom per ongeluk inschakelen. Controleer of de schakelaar zich in de uit-stand bevindt voordat u het elektrisch gereedschap op de stroom of het accupack aansluit, het gereedschap optilt of draagt.** Elektrische gereedschap met de vinger op de schakelaar te dragen of het gereedschap aan de stroom te sluiten terwijl de schakelaar op aan staat, is een uitnodiging voor ongelukken.
- **Verwijder instelgereedschap of sleutels voordat u het elektrisch gereedschap inschakelt.** Een sleutel die zich nog aan het gereedschap bevindt en in de buurt van een draaiend onderdeel van het elektrisch gereedschap is, kan tot persoonlijk letsel leiden.
- **Buig niet te ver naar voren.** Zorg altijd voor een veilige stand en goed evenwicht. Hierdoor zorgt u voor een betere controle over het elektrisch gereedschap in onverwachte situaties.
- **Draag geschikte kleding. Draag geen los zittende kleding of sieraden. Houd uw haren, kleding en handschoenen uit de buurt van bewegende onderdelen.** Los zittende kleding, sieraden of lang haar kan vast komen te zitten in bewegende onderdelen.
- **Als apparaten een voorziening hebben voor het afzuigen van stof en het verzamelen ervan, dient u ervoor te zorgen dat deze ook worden aangesloten en correct worden gebruikt.** Het gebruik van een stofafzuiging kan aan stof gerelateerde gevaren verminderen.
- **Sla uitgeschakelde elektrische gereedschappen buiten het bereik van kinderen op en sta niet toe, dat personen die niet op de hoogte zijn van het elektrisch gereedschap of de instructies voor het gebruik van het elektrisch gereedschap dit gebruiken.** Elektrische gereedschappen zijn gevaarlijk in de handen van onervaren gebruikers.
- **Onderhoud van elektrisch gereedschap. Controleer de verkeerde montage of bevestiging van bewegende delen, gebroken onderdelen en ieder ander probleem dat het gebruik van het elektrisch gereedschap kan beïnvloeden. Als het beschadigd is, dient u het elektrisch gereedschap voor gebruik te laten repareren.** Veel ongevallen worden veroorzaakt door slecht onderhouden elektrische gereedschappen.
- **Houd snijgereedschap scherp en schoon.** Goed onderhouden snijgereedschap met scherpe snijranden raken minder snel vast en zijn gemakkelijker te bedienen.
- **Gebruik het elektrisch gereedschap, accessoires en bits etc. in overeenstemming met deze instructies. Rekening houdend met de werkvoorwaarden en het werk dat wordt uitgevoerd.** Het gebruik van het elektrisch gereedschap voor doeleinden andere dan de voorziene, kan tot gevaarlijke situaties leiden.

NL

HET GEBRUIK EN ONDERHOUD VAN ELEKTRISCH GEREEDSCHAP

- **Oefen geen geweld uit op het elektrisch gereedschap. Gebruik het juiste elektrische gereedschap voor uw toepassing.** Het juiste elektrische gereedschap voert het werk beter en veiliger uit met het toerental waarvoor het werd ontwikkeld.
- **Gebruik het elektrisch gereedschap niet als het niet met behulp van de schakelaar kan worden in- en uitgeschakeld.** Ieder elektrisch gereedschap dat niet door de schakelaar kan worden bediend is gevaarlijk en moet worden gerepareerd.
- **Haal de stekker uit het stopcontact en/of het accupack uit het elektrisch gereedschap voordat u instellingen uitvoert, accessoires vervangt, of het elektrisch gereedschap opslaat.** Dergelijke preventieve veiligheidsmaatregelen verminderen het risico dat het elektrisch gereedschap per ongeluk start.

HET GEBRUIK EN ONDERHOUD VAN ACCU GEREEDSCHAP

- **Laad de oplader alleen op met de lader die door de fabrikant wordt aangegeven.** Een lader die geschikt is voor het ene soort accupack kan een risico op brand veroorzaken als hij met een andere accupack wordt gebruikt.
- **Gebruik elektrische gereedschappen alleen met de aangegeven accupacks.** Het gebruik van andere accupacks dan de aangegeven kan een risico op letsel en brand veroorzaken.
- **Als een accupack niet wordt gebruikt, dient u het uit de buurt te houden van metalen voorwerpen, zoals paperclips, muntjes, sleutels, spijkers, schroeven of andere metalen voorwerpen die een verbinding van de ene pool met de andere kunnen veroorzaken.** Het kortsluiten van de polen van het accupack kan brandwonden of vuur veroorzaken.
- **In geval van geweld kan vloeistof uit de accu lekken; voorkom contact. Als er per ongeluk sprake is van contact, dient u het met water af te spoelen. Als u vloeistof in de ogen krijgt dient u bovendien een arts te raadplegen.** Vloeistof uit de accu kan irritatie of brandwonden veroorzaken.

ONDERHOUD

- **Laat het onderhoud voor uw elektrische gereedschap uitvoeren door een gekwalificeerde monteur die identieke reserveonderdelen gebruikt.** Hierdoor wordt de veiligheid van het elektrisch gereedschap bijgehouden.

LEES ALLE INSTRUCTIES DOOR VOOR GEBRUIK VAN DIT PRODUCT!

OPLEIDING

- **Lees de instructies aandachtig door.** Maak u vertrouwd met de bedieningsknoppen en het juiste gebruik van het apparaat.
- **Sta kinderen, personen met een gereduceerde fysieke, sensorische of mentale capaciteiten of een gebrek aan ervaring en kennis of mensen die niet op de hoogte zijn van deze instructies, het gebruik van deze machine nooit toe.**
- **Personen die deze instructies niet kennen mogen het apparaat nooit gebruiken.** De lokale wetgeving kan een minimum leeftijd voor de gebruiker opleggen.
- **Gebruik het apparaat nooit als er zich mensen, in het bijzonder kinderen, of huisdieren in de buurt bevinden.**
- **De bediener of gebruiker is verantwoordelijk voor ongevallen of gevaren die zich bij ander personen of hun eigendommen voordoen.**

VOORBEREIDING

- **Tijdens het gebruik van het apparaat, draag altijd gepast schoeisel en een lange broek.**
- **Draag geen losse kleding of juwelen, deze kunnen in de luchtinlaat worden getrokken.** Houd lang haar uit de buurt van de luchtinlaten.
- **Draag tijdens gebruik van het apparaat een veiligheidsbril.**
- **Het is aanbevolen om een gezichtsmasker te dragen zodat stofirritatie wordt voorkomen.**
- **Voor gebruik, controleer de batterijen of accupacks op schade.** Gebruik het apparaat niet als de batterijen of het accupack beschadigd is.
- **Gebruik het apparaat nooit met defecte schermen of beschermers, of zonder gemonteerd veiligheidsmechanisme, zoals de opvangzak.**

WERKING

- **Ontkoppel de batterijen of accupacks:**
 1. Wanneer u het apparaat zonder toezicht achterlaat;

2. Voor het verwijderen van een verstopping;
3. Voor het controleren, reinigen of onderhouden van het apparaat;
4. Als het apparaat overmatig trilt.

- **Gebruik het apparaat alleen bij daglicht of voldoende kunstmatig licht.**
- **Reik niet te ver en zorg dat u altijd stevig en stabiel staat.**
- **Let op uw houding als u het apparaat op hellingen gebruikt.**
- **Altijd lopen, nooit rennen.**
- **Houd alle ventilatieopeningen vrij van vuil.**
- **Blaas het vuil nooit in de richting van omstanders.**
- **Het is aanbevolen om het apparaat alleen op redelijke uren te gebruiken – niet vroeg in de morgen of laat in de avond, zodat de burens niet worden gestoord.**
- **Het is aanbevolen om een hark of bezem te gebruiken om het afval los te maken voordat u het wegblaast.**
- **Het is aanbevolen om de oppervlakken in een stoffige omgeving eerst lichtjes vochtig te maken of een nevelopzetstuk te gebruiken.**

⚠ WAARSCHUWING: Gevaar voor roterende onderdelen!

- **Gebruik het mondstuk zodat de luchtstroom dicht bij de grond kan werken.**
- **Gebruik de machine niet in de buurt van open ramen etc.**

ONDERHOUD EN OPSLAG

- **Zorg dat alle moeren, bouten en schroeven altijd stevig vastgedraaid zijn om een veilige werking van het apparaat te waarborgen.**
- **Controleer de opvangzak regelmatig op slijtage of schade.**
- **Vervang versleten of beschadigde onderdelen.**
- **Gebruik alleen originele reserve-onderdelen en toebehoren.**
- **Berg het apparaat alleen op in een droge ruimte.**

⚠ WAARSCHUWING: Laat alle reparaties uitvoeren door een vakbekwame reparateur om een continue veiligheid en betrouwbaarheid te waarborgen.

⚠ WAARSCHUWING: Om het risico op brand, elektrische schok of lichamelijk letsel te beperken: **BELANGRIJK LEES GRONDIG VOOR GEBRUIK. BEWAAR VOOR LATERE RAADPLEGING.**

- **Ken uw elektrische blazer. Lees de gebruiksaanwijzing zorgvuldig door. Leer zowel zijn toepassingen en beperkingen als de specifieke mogelijke gevaren omtrent deze bladblazer.** Dit beperkt het risico op elektrische schokken, brand of ernstig letsel.
- **Stel de bladblazer niet bloot aan regen of natte omstandigheden.** Water dat de bladblazer binnendringt vergroot het risico op elektrische schokken.
- **Gebruik de bladblazer niet als speelgoed.** Houd toezicht wanneer gebruikt door of in de buurt van kinderen.
- **Gebruik de accublader alleen zoals aangegeven in deze handleiding. Gebruik alleen de opzetstukken die door de fabrikant zijn aanbevolen.**
- **Lever de accublader in bij een bevoegd servicecentrum als deze niet naar behoren werkt, gevallen of beschadigd is, buiten achtergelaten werd of in water is gevallen.**
- **Raak de oplader, waaronder de stekker of aansluitklemmen, niet met natte handen aan.**
- **Steek geen voorwerpen in de openingen. Gebruik het apparaat niet als er een opening belemmerd is.** Houd de openingen vrij van stof, pluksel, haar en andere stoffen die de luchtstroom doen afnemen.
- **Houd haar, losse kleding, vingers en alle lichaamsdelen uit de buurt van de openingen en bewegende onderdelen.** Loshangende kleding, juwelen en lang haar kunnen in de luchtopeningen worden gezogen.
- **Steek lang haar boven schouderhoogte op om verstrikking in bewegende onderdelen te voorkomen.**
- **Wees voorzichtig wanneer u trappen reinigt.**
- **Laad het accupack niet buitenshuis op.**
- **Laad het apparaat alleen op met behulp van de meegeleverde oplader**
- **Laat de bladblazer niet zonder toezicht achter wanneer de accu is gemonteerd.** Haal de accu uit de bladblazer wanneer deze niet in gebruik is, alsmede tijdens onderhoud.
- **Gebruik de accublader niet in explosieve omgevingen, zoals in de aanwezigheid van ontvlambare vloeistoffen, gassen of stof.** Een accublader creëert vonken en deze kunnen stof of dampen in brand steken.

- **Gebruik de accublader alleen met het specifiek aangegeven accupack.** Het gebruik van andere batterijen/accu's kan brandgevaar veroorzaken.
- Gebruik het apparaat alleen met onderstaand vermelde accupacks en opladers.

ACCUPACK	OPLADER
BA1120E, BA2240E, BA2800, BA3360, BA4200	CH5500E, CH2100E

⚠ WAARSCHUWING:

- Haal het accupack uit het apparaat alvorens het apparaat af te voeren.
- Gooi de accu op een veilige manier weg.
- **Wees waakzaam, let op wat u doet en gebruik uw gezond verstand wanneer u de bladblazer gebruikt. Gebruik de bladblazer niet als u moe of verward bent, of onder de invloed staat van drugs, alcohol of medicijnen.** Een moment van onoplettendheid tijdens het gebruik van de bladblazer kan leiden tot ernstig persoonlijk letsel.
- **Vermijd dat het apparaat per ongeluk wordt gestart. Zorg dat de schakelaar zich in de vergrendelde of uit-positie bevindt voordat u het accupack in het apparaat steekt.** Het dragen van de bladblazer met uw vinger op de schakelaar of het inbrengen van het accupack in de bladblazer met de schakelaar op aan vergroot de kans op ongevallen.
- **Gebruik beschermingsuitrusting. Draag altijd oogbescherming.** Draag een stofmasker, slipvaste werkschoenen, veiligheidshelm of gehoorbescherming al naar gelang de werkomstandigheden.
- **Gebruik het gereedschap niet op een ladder, dak, boom of ander onstabiele steun.** Een stabiele houding op een stevig oppervlak zorgt voor een betere controle over de bladblazer tijdens onvoorziene situaties.
- Houd altijd rekening met uw voeten, kinderen en/of huisdieren wanneer u het accupack uit de bladblazer haalt. **Ernstig letsel kan zich voordoen wanneer het accupack valt. Haal het accupack NOOIT uit het apparaat wanneer u zich op een hoge positie bevindt.**
- **Gebruik de bladblazer niet als de schakelaar niet kan worden in- of uitgeschakeld.** Een bladblazer die niet met de schakelaar kan worden bediend is gevaarlijk en moet worden gerepareerd.

NL

- **Ontkoppel het accupack van de bladblazer alvorens aanpassingen uit te voeren, accessoires te vervangen of de bladblazer op te bergen.** Deze preventieve voorzorgsmaatregelen beperken het risico op onbedoeld starten van de bladblazer.
- **Schakel alle bedieningsknoppen uit voordat u de accu uit het apparaat haalt.**
- **PROBEER NIET** om verstoppingen te verwijderen terwijl de accu zich nog in het apparaat bevindt.
- **Controleer of de bewegende onderdelen correct functioneren en niet vastklemmen en/of de onderdelen zodanig gebroken of beschadigd zijn dat de werking van de bladblazer nadelig wordt beïnvloedt. Indien beschadigd, laat de bladblazer repareren voordat u deze opnieuw gebruikt.** Vele ongevallen worden veroorzaakt door een slecht onderhouden bladblazer.
- **Houd de bladblazer en het handvat droog, schoon en vrij van olie en smeervet.** Gebruik alleen een schone doek om het apparaat te reinigen. Maak uw bladblazer nooit schoon met een remvloeistof, benzine of producten op basis van aardolie of andere agressieve oplosmiddelen. Dit zorgt voor een lager risico op controleverlies en aantasting van de kunststof behuizing.
- **Draag altijd een veiligheidsbril met zijschermen.** Een alledaagse bril is alleen voorzien van schokbestendige lenzen. Dit is GEEN veiligheidsbril. Dit beperkt het risico op oogletsel.
- **Bescherm uw longen. Draag een gezichts- of stofmasker wanneer u in een stoffige omgeving werkt.** Dit beperkt het risico op ernstig persoonlijk letsel.
- **Bescherm uw gehoor. Draag gehoorbescherming wanneer u gedurende een lange periode het gereedschap gebruikt.** Dit beperkt het risico op ernstig persoonlijk letsel.
- **Bladblazers hoeven niet in een elektrisch stopcontact worden gestoken en zijn daardoor altijd gebruiksklaar! Let op voor mogelijke gevaren wanneer u uw accublader niet gebruikt of accessoires vervangt.** Dit beperkt het risico op elektrische schokken, brand of ernstig persoonlijk letsel.
- **Draag een stevige lange broek, hemd met lange mouwen, laarzen en handschoenen.** Draag geen losse kleding of juwelen, deze kunnen in de bewegende delen van het apparaat of motor vast komen te zitten.
- **Gebruik het apparaat gereedschap niet terwijl u blootsvoets bent of sandalen of gelijksoortig licht schoeisel draagt.** Draag werkschoenen, deze zullen uw voeten beschermen en uw houding op gladde oppervlakken verbeteren.
- **Accu's kunnen exploderen in de aanwezigheid van een ontstekingsbron, zoals een waakvlam.** Om het risico op ernstig persoonlijk letsel te beperken, mag u nooit een snoerloos product in de aanwezigheid van een open vlam gebruiken. Een geëxplodeerde batterij kan vuil en chemische stoffen vrijgeven. Mocht u hieraan worden blootgesteld, dient u het onmiddellijk met water af te spoelen.
- **Handhaaf een stevige houding en behoud uw evenwicht. Reik niet te ver.** U kunt uw evenwicht verliezen als u te ver reikt.
- **Controleer de werkomgeving voor elk gebruik.** Verwijder alle voorwerpen zoals stenen, gebroken glas, nagels, draad of koorden, die opgegooid kunnen worden of in het apparaat terecht kunnen komen.
- **Richt de blaasbuis niet in de richting van personen of huisdieren.**
- **Gebruik het apparaat met de correct geplaatste opzetstukken.** Zorg dat de blaasbuis altijd op een correcte manier is geïnstalleerd.
- **Berg de bladblazer op in een droge binnenruimte en buiten het bereik van kinderen wanneer u het apparaat niet gebruikt.**
- **Houd alle omstanders, in het bijzonder kinderen en huisdieren, minstens 15 meter uit de buurt.**
- **Reparaties aan de bladblazer mogen alleen uitgevoerd worden door een vakbekwame reparateur.** Reparaties of onderhoud dat door onbekwaam personeel wordt uitgevoerd kan risico op letsel veroorzaken.
- **Bij reparatie van de bladblazer, dienen uitsluitend originele en identieke reserve-onderdelen te worden gebruikt.** Volg de instructies in het hoofdstuk "Onderhoud" in deze handleiding. Het gebruik van ongeoorloofde onderdelen of het negeren van de onderhoudsinstructies kan risico op schokken of letsel veroorzaken.
- **Gebruik de bladblazer nooit in de buurt van vuur of hete as.** Gebruikt u het apparaat in de buurt van vuur of as dan kan het vuur verspreiden en ernstig letsel en/of schade aan eigendommen veroorzaken.
- **Gebruik de bladblazer nooit voor het verspreiden van chemicaliën, meststoffen of andere giftige stoffen.** Het verspreiden van dit soort stoffen kan leiden tot ernstig letsel aan de gebruiker of omstanders.

- **Plaats de bladblazer alleen op een hard en schoon oppervlak wanneer de motor in werking is.** Wanneer het apparaat op een ondergrond zoals grind, zand en/of ander vuil wordt gelegd kan het dit opzuigen door de luchtinlaat en naar de gebruiker of omstanders worden geblazen, met mogelijk ernstig letsel tot gevolg.
- **Bewaar deze handleiding.** Raadpleeg de gebruikershandleiding indien nodig en gebruik deze om andere personen die dit apparaat zullen gebruiken te onderrichten. Als u dit apparaat aan iemand anders geeft, geef hem/haar dan in ieder geval ook de gebruikershandleiding mee om verkeerd gebruik en/of mogelijk letsel te voorkomen.

- De opgegeven totale vibratiewaarde is gemeten volgens de standaard testmethode en kan worden gebruikt om het apparaat met een ander apparaat te vergelijken;
- De opgegeven totale vibratiewaarde kan ook worden gebruikt in een voorafgaande beoordeling op blootstelling.
- **OPMERKING:** De vibratie-afgifte tijdens het werkelijk gebruik van het elektrisch gereedschap kan verschillen van de opgegeven totale waarde; Om de bediener te beschermen dient de gebruiker tijdens het gebruik handschoenen en gehoorbescherming te dragen.

BEWAAR DEZE GEBRUIKSAANWIJZING!

SPECIFICATIES

Spanning	56V
Snelheid zonder belasting	Boost: 23000 /min
	Hoog: 18000 /min
	Laag: 10000 /min
Luchtvolume	Boost: 900 m ³ /h
	Hoog: 675 m ³ /h
	Laag: 440 m ³ /h
Luchtsnelheid	Boost: 176 km/u
	Hoog: 136 km/u
	Laag: 80 km/u
Geschatte werkingstijd (met EGO 2,5Ah accu)	10 min (boost)
	23 min. (hoge snelheid)
	75 min. (lage snelheid)
Gewicht van de bladblazer (zonder accupack)	2,18 kg
Gemeten geluidsvermogensniveau L_{WA}	97 dB(A) $K_{WA}=2,5$ dB(A)
Geluidsdrukkniveau aan het oor van de bediener L_{PA}	81,8 dB(A) $K_{PA}=2,5$ dB(A)
Gegarandeerd geluidsvermogensniveau L_{WA} (gemeten volgens 2000/14/EG)	100 dB(A)
Vibratie a_h	1,351 m/s ² $K=1,5$ m/s ²

INHOUD VAN DE VERPAKKING

OMSCHRIJVING VAN DE ONDERDELEN	AANTAL
Bladblazer	1
Blaasbuis	1
Vlak mondstuk van de bladblazer	1
Gebruiksaanwijzing	1

NL

BESCHRIJVING

KEN UW BLADBLAZER (afb. 4)

1. Accuvrijgaveknop
2. Gegoten handvat
3. Schakelaar
4. Boost-knop
5. Variabele luchtsnelheidsregeling
6. Buis-vrijgaveknop
7. Blaasbuis
8. Luchtuitlaat
9. Luchtinlaat
10. Uitwerpmechanisme
11. Montagegleuf
12. Elektrische contacten
13. Vergrendeling
14. Schouderriem bevestiging

⚠ WAARSCHUWING: Om dit product op een veilige manier te gebruiken moet men zowel de informatie vermeld op het apparaat en in deze gebruikershandleiding goed begrijpen alsmede een goede kennis hebben van de taak die u wilt uitvoeren. Voordat u dit product gebruikt, maak u zich vertrouwd met alle gebruiksfuncties en veiligheidsvoorschriften.

BEDIENING

⚠ WAARSCHUWING: Vertrouwdheid kan leiden tot onvoorzichtigheid. Opgelet, één seconde van onvoorzichtigheid kan ernstig letsel teweegbrengen.

⚠ WAARSCHUWING: Probeer niet om dit product aan te passen of accessoires te maken die niet voor gebruik met deze bladblazer zijn aanbevolen. Een dergelijke aanpassing of wijziging is misbruik en kan leiden tot gevaar en een ernstig persoonlijk letsel.

⚠ WAARSCHUWING: Verwijder altijd het accupack uit het product wanneer u onderdelen monteert, aanpassingen uitvoert, het product reinigt of wanneer niet in gebruik. Het verwijderen van het accupack voorkomt een toevallige inschakeling dat ernstig persoonlijk letsel kan veroorzaken.

Voor elk gebruik, controleer het volledig product op beschadigde, ontbrekende of losse onderdelen, zoals schroeven, moeren, bouten, etc. Maak alle bevestigingen en doppen stevig vast en gebruik dit product pas opnieuw eenmaal alle ontbrekende of beschadigde onderdelen zijn geplaatst.

NL

TOEPASSING

U kunt dit product gebruiken voor onderstaand vermelde doeleinden:

- Reinigen van harde oppervlakken zoals opritten en paden.
- Houd terrassen en opritten vrij van bladeren en dennennaalden.

OPMERKING: Het gereedschap mag alleen voor het voorheen genoemde doeleinde worden gebruikt. Ieder ander gebruik is in dit geval misbruik.

DE BLAASBUIS MONTEREN/VERWIJDEREN

■ Monteren (afb. B)

Breng de groef in lijn en druk de buis op de behuizing van de blazer totdat u een "klik" hoort.

■ Verwijderen (afb. C)

Druk de buis-ontgrendelingsknop en trek de buis eruit.

INSTALLEREN/VERWIJDEREN VAN HET ACCUPACK (AFB. D)

Voor de eerste ingebruikname opladen.

■ Installeren

Breng de geleiders van de accu overeen met de montagesleuven en druk het accupack naar beneden totdat u "klik" hoort.

■ Verwijderen

Druk de accu-ontgrendelingsknop naar beneden en trek het accupack eruit.

WAARSCHUWING: Houd altijd rekening met de positie van uw voeten, kinderen of huisdieren die zich in de buurt bevinden in het oog wanneer u op de accuvrijgaveknop drukt. Ernstig letsel kan zich voordoen wanneer het accupack valt. Haal de accu NOOIT uit het apparaat wanneer u zich op een hoge positie bevindt.

DE ACCUBLADBLAZER STARTEN/STOPPEN (AFB. E)

■ Starten

Druk de schakelaar en houd hem ingedrukt. De bladblazer wordt na een korte periode ingeschakeld.

■ Stoppen

Laat de schakelaar los.

DE LUCHTSNELHEID AANPASSEN

■ De luchtsnelheid verhogen/verlagen

Draai de knop voor de luchtsnelheid rechtsom/linksom.

■ De luchtsnelheid verhogen

Druk op de boost-knop om de maximale luchtsnelheid te bereiken.

OPMERKING: Zodra u de boost-knop los laat, hervat de bladblazer op de voorafgaande snelheid.

DE BLADBLAZER BEDIENEN

- Om het verspreiden van vuil te voorkomen, blaas rond de buitenrand van de vuilstapel. Blaas nooit direct in het midden van de stapel.
- Om het geluidsniveau te houden, beperk het aantal apparaten dat tegelijkertijd wordt gebruikt.
- Gebruik een hark of bezem om het afval los te maken voordat u het wegblaast. In een stoffige omgeving, maak het oppervlak lichtjes nat in geval water aanwezig is.
- Bespaar water door gebruik te maken van de accublادblazer in plaats van tuinslangen voor vele gazon- en tuintoepassingen, zoals voor het reinigen van goten, schermen, patio's, roosters, veranda's en tuinen.
- Let op voor kinderen, huisdieren, open vensters of pas gewassen auto's. Blaas het vuil op een veilige manier weg.
- Na gebruik van een bladblazer of ander apparaat, ruim het vuil op! Gooi het vuil op een correcte manier weg.



ONDERHOUD

⚠ WAARSCHUWING: Bij reparatie, gebruik uitsluitend identieke reserve-onderdelen. Het gebruik van andere onderdelen kan gevaar opleveren of schade aan het product veroorzaken. Laat alle reparaties uitvoeren door een vakbekwame reparateur om een continue veiligheid en betrouwbaarheid te waarborgen.

⚠ WAARSCHUWING: Om ernstig persoonlijk letsel te voorkomen dient u het accupack voor de reiniging of het onderhoud altijd uit het product te halen.

ALGEMEEN ONDERHOUD

Maak de kunststof onderdelen niet schoon met oplosmiddelen. De meeste kunststoffen kunnen worden beschadigd wanneer ze in contact komen met commerciële oplosmiddelen. Gebruik een schone doek voor het verwijderen van vuil, stof, olie, smeer, etc.

⚠ WAARSCHUWING: Zorg dat remvloeistoffen, benzine, producten op basis van aardolie, oliën, etc. op geen enkel moment met de kunststof onderdelen in aanraking komen. Chemicaliën kunnen de kunststof onderdelen beschadigen, verzwakken of vernietigen en ernstig persoonlijk letsel veroorzaken.

OPSLAG

- Verwijder alle vreemde materialen uit de luchtinlaten van de bladblazer.
- Berg binnenshuis op in een ruimte die voor kinderen ontoegankelijk is. Houd uit de buurt van corrosieve middelen, zoals tuinchemicaliën en strooizout.

Het milieu beschermen



Gooi geen elektrische apparaten, acculaders en accu's/oplaadbare batterijen met het huisafval weg!

Elektrische en elektronische apparaten, in overeenstemming met de Europese wet 2012/19/EG, en defecte of verbruikte accupacks/batterijen, in overeenstemming met 2006/66/EG, moeten afzonderlijk worden ingezameld en op een milieuvriendelijke manier afgedankt worden.

Als elektrische apparaten op een stortterrein of vuilnisbelt terecht komen, kunnen gevaarlijke stoffen in het grondwater lekken en in de voedselketen komen wat schadelijk is voor uw gezondheid en welzijn.

EG CONFORMITEITSVERKLARING

Wij, CHERVON EUROPE LTD.

47 CASTLE STREET, READING, RG1 7SR, UNITED KINGDOM

Verklaren dat het product **56V lithium-ion accublader LB5300E**, in overeenstemming is met de essentiële gezondheids- en veiligheidsvoorschriften van volgende Richtlijnen:

2006/42/EG, 2004/108/EG, 2011/65/EG, 2000/14/EG

Normen en technische specificaties bedoeld in:

EN60335-1, EN50636-2-100, EN62233, EN55014-1, EN55014-2

Gemeten geluidsvermogensniveau: 97 dB(A).

Gewaarborgd geluidsvermogensniveau: 100 dB(A).

Peter Melrose
Vice president van Chervon Europe

Dong Jianxun
Kwaliteitsmanager van Chervon

NL

* (Authorized representative for CHERVON and responsible for technical documentation)

01/01/2016



PROBLEEMOPLOSSING

PROBLEEM	OORZAAK	OPLOSSING
De accublader werkt niet.	<ul style="list-style-type: none">■ De accu is niet op de accublader aangesloten.■ Er is geen elektrisch contact tussen de accublader en accu.■ De accu is uitgeput■ De accu of accublader is te warm.	<ul style="list-style-type: none">■ Sluit de accu op de accublader aan.■ Verwijder de accu, controleer de aansluitklemmen en plaats de accu terug.■ Laad de accu op.■ Koel de accu en accublader af totdat de temperatuur lager dan 67°C is.
De luchtsnelheid is aanzienlijk lager.	<ul style="list-style-type: none">■ Buitensporige slijtage van de motorventilator.■ De luchtinlaat is verstopt door vuil.	<ul style="list-style-type: none">■ Neem contact op met het servicecentrum van EGO voor reparatie.■ Haal de accu uit en verwijder het vuil.

NL

GARANTIE

EGO GARANTIEVOORWAARDEN

Bezoek onze website egopowerplus.com voor alle voorwaarden van de EGO garantie.

LÆS ALLE ANVISNINGER!



LÆS & FORSTÅ BRUGSANVISNING

BEMÆRK: Disse anvisninger skal også være tilgængelige i et alternativt format, f.eks. på et websted.

⚠ Særlig risiko! Folk med elektroniske anordninger, såsom pacemakere, bør spørge deres læge til råds, før de bruger dette produkt. Betjening af elektrisk udstyr i umiddelbar nærhed af en pacemaker kan forårsage forstyrrelser eller svigt af pacemakeren.

⚠ ADVARSEL: For at sikre sikkerhed og pålidelighed, bør alle reparationer og udskiftninger udføres af en kvalificeret servicetekniker.

SIKKERHEDSSYMBOLER

Formålet med sikkerhedssymboler er at gøre dig opmærksom på mulige farer. Du bør være meget opmærksom på sikkerhedssymboler og forklaringer til dem og lære at forstå dem. Symboladvarslere fjerner ikke i sig selv eventuelle farer. Anvisningerne og advarslerne er ingen erstatning for korrekte forebyggelsesforanstaltninger mod ulykker.

⚠ ADVARSEL: Sørg for at læse og forstå alle sikkerhedsanvisninger i denne brugsanvisning, inklusive alle sikkerhedssymboler, såsom "FARE", "ADVARSEL" og "FORSIGTIGHED", før du bruger dette værktøj. Hvis du ikke følger advarsler og anvisninger, kan det resultere i elektrisk stød, brand og/eller alvorlig personskade.

FOREBYGGELSE AF ØDELÆGGELSER OG INFORMATIONSBESKEDER

Disse informerer brugeren om vigtige oplysninger og/eller anvisninger, der kan føre til skader på udstyr eller anden ejendom, hvis de ikke følges. Hver meddelelse indledes med ordet "BEMÆRK", som i eksemplet nedenfor:

BEMÆRK: Der kan ske skade på udstyr og / eller ejendom, hvis disse anvisninger ikke følges.



⚠ ADVARSEL: Brugen af et elværktøj kan resultere i, at du får fremmedlegemer i øjnene, hvilket kan give alvorlige øjenskader. Inden du begynder at bruge et elværktøj, skal du altid bære beskyttelsesbriller eller sikkerhedsbriller med sidebeskyttelse og om nødvendigt en fuld ansigtsmaske. Vi anbefaler en maske med bredt udsyn til brug over briller eller standard sikkerhedsbriller med sidebeskyttelse.

SIKKERHEDSANVISNINGER

Denne side viser og beskriver sikkerhedssymboler, der kan forekomme på dette produkt. Læs, forstå, og følg alle anvisninger på apparatet, før du forsøger at samle og betjene det.

	Sikkerhedsvarsel	Forsigtighedsregler for din sikkerhed.
	Bær beskyttelsesbriller	Bær altid beskyttelsesbriller eller sikkerhedsbriller med sidebeskyttelse og om nødvendigt en fuld ansigtsmaske.
	Brug høreværn	Bær altid høreværn, når du betjener dette produkt.
	Læs brugsanvisningen	For at nedsætte risikoen for personskade, skal brugeren læse og forstå brugsanvisningen, før dette produkt tages i brug.
	Hold omkringstående på afstand	Hold alle omkringstående mindst 15m væk.
	Klasse II-konstruktion	Dobbeltisoleret konstruktion.
	Udsæt ikke for fugt	Må ikke anvendes i regnvejrs eller efterlades udendørs, mens det regner.
V	Volt	Spænding
A	Ampere	Strøm
Hz	Hertz	Frekvens (cyklusser pr. sekund)
W	Watt	Effekt

DK

min	Minutter	Tid
m ³ /h	Kubikmeter pr. time	Luftmængde
km/h	Kilometer pr. time	Lufthastighed
~	Vekselstrøm	Type spænding
≡	Jævnstrøm	Type af eller egenskab for strøm
n ₀	Hastighed uden belastning	Rotationshastighed, uden belastning
... /min	Pr. minut	Omdrejninger pr. minut

Ved brug af et elektrisk apparat bør grundlæggende forholdsregler altid følges, herunder følgende:

ALMINDELIGE SIKKERHEDSADVARSLER FOR ELVÆRKTØJ

DK

⚠ ADVARSEL: Læs alle sikkerhedsadvarsler og -anvisninger. Hvis du ikke følger advarsler og anvisninger, kan det resultere i elektrisk stød, brand og/eller alvorlig personskade.

Gem alle advarsler og anvisninger til fremtidig brug.

Udtrykket "elværktøj" i advarselne refererer til dit lysnetdrevne (med ledning) elværktøj eller batteridrevne (ledningsfrie) elværktøj.

SIKKERHED I ARBEJDSOMRÅDET

- **Hold arbejdsområdet rent og godt oplyst.** Rodede eller uoplyste arbejdsområder inviterer til ulykker.
- **Brug ikke elværktøj i eksplosive atmosfærer, såsom i nærheden af brændbare væsker, benzin eller støv.** Elektrisk værktøj skaber gnister, der kan antænde støv eller dampe.
- **Hold børn og omkringstående på afstand, mens du betjener et elværktøj.** Forstyrrelser kan medføre, at du mister kontrollen.

ELEKTRISK SIKKERHED

- **Stik på elværktøj skal passe til stikkontakten.** Lav aldrig om på stikket på nogen måde. Brug ikke adapterstik sammen med jordet (jordforbundet) elværktøj. Uændrede stik og passende stikkontakter reducerer risikoen for elektrisk stød.

- **Undgå kropskontakt med jordforbundne overflader, såsom rør, radiatorer, komfurer og køleskabe.** Der er en øget risiko for elektrisk stød, hvis din krop bliver jordforbundet.
- **Udsæt ikke elværktøj for regn eller våde forhold.** Vand i et elværktøj øger risikoen for elektrisk stød.
- **Du må ikke mishandle ledningen. Brug aldrig ledningen til at bære eller trække apparatet eller trække stikket ud. Hold ledningen væk fra varme, olie, skarpe kanter eller bevægelige dele.** Beskadigede eller sammenfiltrede ledninger øger risikoen for elektrisk stød.
- **Når maskinen benyttes udendørs, skal du bruge en forlængerledning til udendørs brug.** Brug af en forlængerledning til udendørs brug nedsætter risikoen for elektrisk stød.
- **Hvis det ikke kan undgås at benytte apparatet i fugtige omgivelser, så brug et stik med jordfejlsfejlstømsrelæ.** Anvendelse af jordfejlsfejlstømsrelæ reducerer risikoen for elektrisk stød.

PERSONLIG SIKKERHED

- **Vær opmærksom, se, hvad du laver, og brug sund fornuft, når du benytter et elværktøj. Brug ikke apparatet, hvis du er træt eller er påvirket af narkotika, alkohol eller medicin.** Et øjeblik uopmærksomhed ved brug af maskinen kan føre til alvorlige personskader.
- **Brug personlige værnemidler. Bær altid beskyttelsesbriller.** Værnemidler, såsom støvmaske, skridsikre sikkerhedssko, hjelm eller høreværn, der anvendes under passende betingelser, nedsætter risikoen for personskade.
- **Forebyg utilsigtet start. Sørg for kontakten er i slukket position før værktøjet tilsluttes til strømkilde og/eller batteripakke, samles op eller bæres.** Hvis du bærer elværktøj med fingeren på kontakten eller sætter strøm til elværktøj, der har kontakten tændt, beder du om ulykker.
- **Fjern indstillingsværktøj eller skruenøgler, før det elektriske værktøj startes.** En skruenøgle eller andet værktøj, der sidder i en roterende del af elværktøjet, kan give personskade.
- **Læn dig ikke for langt forover. Stå ordentlig fast og vær hele tiden i balance.** Dette giver bedre kontrol over elværktøjet i uventede situationer.
- **Fornuftig påklædning. Bær ikke løst tøj eller smykker. Hold dit hår, tøj og handsker væk fra bevægelige dele.** Løst tøj, smykker eller langt hår kan blive fanget i bevægelige dele.

- Hvis der er installeret anordninger for tilslutning af støvudsugnings- og opsamlingsudstyr, så sørg for, at dette tilsluttes og anvendes korrekt. Anvendelse af støvanordninger kan reducere støvrelaterede risici.

BRUG OG PLEJE AF ELVÆRKTØJ

- **Tving ikke elværktøj. Brug det korrekte elværktøj til det, du skal lave.** Det korrekte elværktøj vil gøre arbejdet bedre og mere sikkert ved den hastighed, som det er beregnet til.
- **Brug ikke elværktøjet, hvis kontakten ikke tænder og slukker.** Et apparat, hvor kontakterne ikke dur, er farligt og skal repareres.
- **Træk stikket til apparatets strømforsyning ud af stikkontakten og/eller batteripakken, inden du foretager justeringer, skifter tilbehør eller lægger den til opbevaring.** Sådanne forebyggende sikkerhedsforanstaltninger reducerer risikoen for at starte det elektriske værktøj utilsigtet.
- **Opbevar ubenyttet elværktøj utilgængeligt for børn, og tillad ikke personer, der ikke kender elværktøjet eller disse anvisninger at betjene elværktøjet.** Elværktøj er farligt i hænderne på utrænede brugere.
- **Vedligehold elværktøjet. Kontrollér, at de bevægelige dele ikke er fejljusterede eller binder eller er i en tilstand, der kan påvirke elværktøjets drift.** Få det beskadigede elværktøj repareret før brug. Mange ulykker forårsages af dårligt vedligeholdt elværktøj.
- **Hold skærende værktøj skarpt og rent.** Omhyggeligt vedligeholdt skæreværktøj med skarpe skærekanter er mindre tilbøjelige til at binde og er lettere at styre.
- **Brug elværktøj, tilbehør og bits osv. i overensstemmelse med disse anvisninger, under hensyntagen til arbejdsforholdene og det arbejde, der skal udføres.** Anvendelse af værktøjet til andre formål end dem, de er beregnet til, kan medføre en farlig situation.

BATTERIVÆRKTØJETS BRUG OG PLAJE

- **Oplad kun med de opladere, der er anført af fabrikanten.** En oplader, der er velegnet til én type batteripakke, kan øge risikoen for brand, når den bruges med en anden batteripakke.
- **Anvend kun elværktøj med specifikt anviste batteripakker.** Brug af andre batteripakker kan skabe risiko for personskade og brand.
- **Når batteripakken ikke er i brug, skal den holdes væk fra andre metalgenstande som papirclips, mønter, nøgler, søm, skruer eller andre små metalgenstande, der kan skabe forbindelse fra en pol til en anden.** Kortslutning af batteripolerne kan forårsage forbrændinger eller brand.

- **Ved forkert anvendelse kan der slippe væske fra batteriet; undgå kontakt. Kommer man uheldigvis i kontakt med væsken: Skyl med vand. Hvis væsken kommer i øjnene, skal man også søge læge.** Væskesprøjt fra batteriet kan forårsage irritation eller forbrændinger.

SERVICE

- **Få dit elværktøj serviceret af en kvalificeret tekniker, og brug kun originale reservedele.** Dette vil sikre, at elværktøjet fortsat er sikkert.

LÆS ALLE ANVISNINGER, FØR APPARATET TAGES I BRUG.

UNDERVISNING

- **Læs anvisningerne grundigt igennem.** Bliv fortrolig med alle knapper og håndtag og den korrekte brug af apparatet.
- **Lad aldrig børn, personer med nedsatte fysiske, sensoriske eller mentale evner eller manglende erfaring og viden, eller folk der ikke kender disse instruktioner bruge apparatet.**
- **Lad aldrig personer, der ikke kender disse anvisninger, bruge apparatet.** Lokale forskrifter kan sætte aldersgrænser for en operatør.
- **Brug aldrig apparatet, mens folk, især børn, eller kæledyr er tæt på.**
- **Operatøren eller brugeren er ansvarlig, hvis andre personer eller andres ejendom udsættes for ulykke eller fare.**

FORBEREDELSE

- **Når apparatet betjenes, bør man altid bære kraftigt fodtøj og lange bukser.**
- **Bær ikke løst tøj eller smykker, der kan trækkes ind i luftindtaget.** Hold langt hår væk fra luftindtag.
- **Bær beskyttelsesbriller under brug.**
- **For at forhindre støvgener anbefales brug af en ansigtsmaske.**
- **Før brug skal du kontrollere batterier eller batteripakker for skader.** Brug ikke apparatet, hvis batterierne eller batteripakken er beskadiget.
- **Anvend aldrig apparatet med defekte afskærmninger eller skjolde eller uden sikkerhedsanordninger, f.eks anordninger, der samler snavs og brokker.**

BETJENING

- **Afbryd batterier eller batteripakker:**
 1. Når du forlader apparatet

DK

2. Inden fjernelse af en blokering;
3. Før du kontrollerer, rengør eller arbejder på apparatet
4. Hvis apparatet begynder at vibrere unormalt.

- **Betjen kun apparatet i dagslys eller i god kunstig belysning.**
- Læn dig ikke for langt frem, og hold balancen hele tiden.
- Vær altid sikker på godt fodfæste på skrånende overflader.
- Gå, aldrig løbe.
- Hold alle køleluftindtag fri for snavs.
- Blæs aldrig snavs og skidt i retning af omkringstående.
- Det anbefales kun at benytte apparatet på rimelige tidspunkter - ikke tidligt om morgenen eller sent om aftenen, når det kan forstyrre folk.
- Det anbefales at bruge river og koste til at løsne snavs, før der blæses.
- Det anbefales at fugte overflader, hvis der er støvet, eller bruge forstøvertilbehør.

DK

⚠ ADVARSEL: Fare for roterende dele!

- Lad blæserdysen være fuldt udvidet, så luftstrømmen kan arbejde tæt på jorden.
- Brug ikke maskinen i nærheden åbne vinduer mv.

VEDLIGEHOLDELSE OG OPBEVARING

- Hold alle møtrikker, bolte og skruer stramme for at være sikker på, at apparatet er i sikker stand.
- Kontrollér ofte, at opsamleren til snavs og brokker, ikke slidt eller ødelagt.
- Udskift slidte eller beskadigede dele.
- Brug kun originale reservedele og tilbehør
- Opbevar kun apparatet på et tørt sted.

⚠ ADVARSEL: For at sikre sikkerhed og pålidelighed skal alle reparationer udføres af en kvalificeret servicetekniker.

⚠ ADVARSEL: For at reducere risikoen for brand, elektrisk stød, eller tilskadekomst:

**VIGTIGT
LÆS GRUNDIGT INDEN BRUG.
GEM TIL SENERE BRUG.**

- **Kend din elblæser. Læs brugsanvisningen grundigt igennem. Lær løvblæserens anvendelser og begrænsninger samt de specifikke potentielle risici i forbindelse med denne løvblæser.** Hvis denne regel følges, vil det mindske risikoen for elektrisk stød, brand eller alvorlig personskade.

- **Udsæt ikke løvblæseren for regn eller våde forhold.** Vand i en løvblæser øger risikoen for elektrisk stød.
- **Lad ikke løvblæseren blive brugt som legetøj.** Man skal være særligt opmærksom, når den anvendes af eller i nærheden af børn.
- **Benyt kun apparatet som beskrevet i denne vejledning. Brug kun fabrikantens anbefalede tilbehør.**
- Hvis løvblæseren ikke fungerer som den skal, er blevet tabt, beskadiget, efterladt udendørs eller faldet i vandet, returneres den til et servicecenter.
- Rør ikke ved opladeren, herunder opladerens stik eller opladerens terminaler med våde hænder.
- Put ikke genstande i åbninger i apparatet. Må ikke anvendes med nogen åbning blokeret; hold åbninger fri for støv, fnug, hår, og noget, der kan reducere luftstrømmen.
- Hold hår, løstsiddende tøj, fingre og alle dele af kroppen væk fra åbninger og bevægelige dele. Løst tøj, smykker eller langt hår kan blive trukket ind i ventilationshulleme.
- Saml langt hår over skulderhøjde for at forhindre indfiltring i bevægelige dele.
- Vær ekstra forsigtig ved rengøring på trapper.
- Oplad ikke batteriet udendørs.
- Oplad kun med den oplader, der medfølger fra fabrikanten.
- Efterlad ikke løvblæseren uden opsyn, når batteriet er isat. Fjern batteriet, når løvblæseren ikke er i brug og før service.
- Brug ikke løvblæsere i eksplosionsfarlig atmosfære, såsom i nærheden af brændbare væsker, gasser eller støv. Løvblæsere skaber gnister, der kan antænde støv eller dampe.
- Brug kun den batteridrevne løvblæser sammen med den dertil beregnede batteripakke. Brug af andre batterier kan give risiko for brand.
- Brug den kun med de batteripakker og opladere, der er anført nedenfor.

BATTERIPAKKE	OPLADER
BA1120E, BA2240E, BA2800, BA3360, BA4200	CH5500E, CH2100E

⚠ ADVARSEL:

- Batteripakken skal fjernes fra apparatet, før det kasseres.
- Batteriet skal bortskaffes på sikker måde.

- **Vær opmærksom, se, hvad du laver, og brug sund fornuft, når du benytter en elektrisk løvblæser. Brug ikke løvblæseren, når du er træt, oprevet eller under indflydelse af narkotika, alkohol eller medicin.** Et øjeblik uopmærksomhed under brugen af løvblæsere kan resultere i alvorlig personskade.
- **Undgå utilsigtet start. Sørg for, at kontakten er i låst eller slukket position, før du sætter batteripakken på.** Hvis du bærer løvblæseren med fingeren på kontakten eller sætter batteriet i en løvblæser med kontakten slået til, er der risiko for ulykker.
- **Brug værnemidler. Bær altid beskyttelsesbriller.** Støvmaske, skridsikre sikkerhedssko, hjelm eller høreværn skal anvendes under de relevante forhold.
- **Må ikke anvendes på en stige, taget, i træer eller andet ustabil underlag.** Stabilt fodfæste på en fast overflade giver bedre kontrol over løvblæseren i uventede situationer.
- **Vær altid opmærksom på dine fødder, børn, eller kæledyr omkring dig, når du fjerner batteripakken fra løvblæseren. Der kan opstå alvorlig skade, hvis batteriet falder. Fjern ALDRIG batteriet, når du står højt hævet.**
- **Brug ikke løvblæseren, hvis kontakten ikke kan tænde eller slukke.** En løvblæser, hvor kontakten ikke dur, er farlig og skal repareres.
- **Fjern batteripakken fra løvblæseren, inden du foretager eventuelle justeringer, skifter tilbehør eller lægger den til opbevaring.** Sådanne forebyggende sikkerhedsforanstaltninger reducerer risikoen for at starte løvblæseren ved et uheld.
- **Sluk for alle knapper, før batteriet fjernes.**
- **Forsøg IKKE at fjerne fastsiddende klumper fra apparatet uden først at fjerne batteriet.**
- **Kontrollér, at de bevægelige dele ikke er fejljusterede eller binder eller er i en tilstand, der kan påvirke løvblæserens drift. Få den beskadigede løvblæser sendt til service før brug.** Mange ulykker forårsages af dårligt vedligeholdte løvblæsere.
- **Hold løvblæseren og dens håndtag tørre, rene og fri for olie og fedt.** Brug altid en ren klud ved rengøring. Brug aldrig bremsevæske, benzin, oliebaseerede produkter eller andre kraftige opløsningsmidler til rengøring af løvblæseren. Hvis denne regel følges, vil det mindske risikoen for tab af kontrol og ødelæggelse af plastikkabinettet.
- **Bær altid beskyttelsesbriller med sidebeskyttelse** Almindelige briller har kun slagfaste linser. De er IKKE sikkerhedsbriller. Hvis denne regel følges, vil det mindske risikoen for øjenskader.
- **Beskyt dine lunger. Bær en ansigts- eller støvmaske, hvis arbejdet er støvet.** Hvis denne regel følges, vil det mindske risikoen for alvorlig personskade.
- **Beskyt din hørelse. Bær høreværn ved længere tids brug.** Hvis denne regel følges, vil det mindske risikoen for alvorlig personskade.
- **Batteridrevne løvblæsere behøver ikke at være tilsluttet en stikkontakt, derfor er de altid driftsklar. Vær opmærksom på mulige farer når du ikke bruger din batteridrevne løvblæser, eller når der skiftes tilbehør.** Hvis denne regel følges, vil det mindske risikoen for elektrisk stød, brand eller alvorlig personskade.
- **Bær kraftige lange bukser, lange ærmer, støvler og handsker.** Undgå løse beklædningsgenstande eller smykker, der kunne blive fanget i apparatets bevægelige dele eller dens motor.
- **Betjen ikke udstyr med bare fødder, eller når du er iført sandaler eller lignende let fodtøj.** Bær beskyttende fodtøj, der beskytter dine fødder og forbedrer dit fodfæste på glatte overflader.
- **Batterier kan eksplodere i nærheden af en antændelseskilde, såsom en tændflamme.** For at reducere risikoen for alvorlig personskade, bør man aldrig bruge ledningsfrie produkter i nærheden af åben ild. Et eksploderet batteri kan sende snavs og kemikalier i alle retninger. Ved udsættelse herfor skylls straks med vand.
- **Sørg for at stå fast og være i balance. Læn dig ikke for langt forover.** Hvis du læner dig for langt frem, kan du miste balancen.
- **Kontrollér arbejdsområdet før hver brug.** Fjern alle genstande, såsom sten, glasskår, søm, tråd eller snor, som apparatet kan sende afsted eller blive viklet ind i.
- **Ret ikke blæserrøret i retning af mennesker eller kæledyr.**
- **Brug aldrig apparatet, uden at det rette udstyr er monteret.** Sørg altid for, at blæserrøret er sat på.
- **Når den ikke er i brug, skal løvblæseren opbevares indendørs på et tørt, sikkert sted utilgængeligt for børn.**
- **Hold alle omkringstående, børn og kæledyr mindst 15m væk.**
- **Service på løvblæsere må kun udføres af kvalificeret reparationspersonale.** Service eller vedligeholdelse udført af ukvalificeret personale kan medføre risiko for personskade.
- **Ved service af løvblæseren må der kun bruges originale reservedele.** Følg anvisningerne i afsnittet i denne manual om Vedligeholdelse. Anvendelse af uautoriserede dele eller undladelser af at følge vedligeholdelsesvejledningen kan give risiko for stød eller personskade.

DK

- **Brug aldrig løvblæseren nær ild eller varm aske.** Brug nær ild eller aske kan sprede ilden og medføre alvorlig skade på personer eller ejendom.
- **Brug aldrig løvblæseren til at sprede kemikalier, gødning eller andre giftige stoffer.** Spredning disse stoffer kan medføre alvorlig skade på operatøren eller omkringstående.
- **Anbring aldrig løvblæseren på overflader, der ikke er hårde og rene, når motoren kører.** Grus, sand og andet snavs kan blive opfanget af luftindtaget og kastet på operatøren eller omkringstående og derved eventuelt forårsage alvorlige skader.
- **Gem disse anvisninger.** Brug dem ofte, og brug dem til at instruere andre, der skal bruge dette værktøj. Hvis du låner nogen dette værktøj, så lad dem få anvisningerne med, så de også undgår fejlbrug af produktet og mulig personskaade.

GEM DISSE ANVISNINGER!

Garanteret lydeffektniveau L_{WA} (målt i henhold til direktiv 2000/14/EF)	100 dB(A)
Vibration a_h	1,351 m/s ² K=1,5 m/s ²

- Den deklarerede samlede værdi for vibrationer er målt i overensstemmelse med en standardiseret prøvningsmetode og kan anvendes til at sammenligne et værktøj med et andet.
- Den deklarerede samlede værdi for vibrationer kan også anvendes ved en foreløbig vurdering af eksponeringen.

BEMÆRK: Udsendelsen af vibrationer ved faktisk brug af elværktøjet kan afvige fra den angivne værdi, der hvor værktøjet anvendes. For at beskytte operatøren, bør vedkommende bære handsker og høreværn under de faktiske brugsbetingelser.

DK

SPECIFIKATIONER

Spænding	56V
Hastighed uden belastning	Boost: 23.000 /min
	Høj: 18.000 /min
	Lav: 10.000 /min
Luftmængde	Boost: 900 m ³ /t
	Høj: 675 m ³ /t
	Lav: 440 m ³ /t
Lufthastighed	Boost: 176 km/t
	Høj: 136 km/t
	Lav: 80 km/t
Anslået driftstid (med EGO's 2,5Ah batteri)	10 min (med booster)
	23 min. (høj hastighed)
	75 min. (lav hastighed)
Løvblæserens vægt (uden batteripakke)	2,18 kg
Målt lydeffektniveau L_{WA}	97 dB(A) $K_{WA}=2,5$ dB(A)
Lydtryk ved brugerens øre L_{PA}	81,8 dB(A) $K_{PA}=2,5$ dB(A)

PAKKELISTE

DELENS NAVN	ANTAL
Løvblæser	1
Løvblæserrør	1
Flad dyse	1
Brugsanvisning	1

BESKRIVELSE

KEND DIN BLÆSER (fig. A)

1. udløserknap til batteri
2. håndtag
3. startknap
4. boost-knap
5. knap til justering af lufthastighed
6. knap til frigørelse af rør
7. blæserrør
8. luftudgang
9. luftindtag
10. udstødningsmekanisme
11. monteringsrille
12. elektriske kontakter
13. spærre
14. beslag til skulderrem

⚠ ADVARSEL: Sikker brug af dette produkt kræver en forståelse af oplysningerne om værktøjet og i denne brugsanvisning samt kendskab til det arbejde, du vil udføre. Før brug af dette produkt skal du gøre dig fortrolig med alle funktioner og sikkerhedsregler.

BETJENING

⚠ ADVARSEL: Selvom du kender dette produkt, så bliv ikke skødesløs. Husk, at skødesløshed i en brøkdæl af et sekund kan forvolde betydelig personskade.

⚠ ADVARSEL: Forsøg ikke at ændre dette produkt eller fremstille tilbehør, der ikke anbefales til brug med denne løvblæser. Enhver sådan ændring eller modifikation er misbrug og kan resultere i en farlig situation, der fører til eventuel alvorlig personskade.

⚠ ADVARSEL: Fjern altid batteriet fra produktet, når du monterer dele, foretager justeringer, rengøring, eller når det ikke bruges. Fjernelse af batteripakken vil forhindre utilsigtet start, der kan forårsage alvorlig personskade.

Før hver brug, inspiceres hele produktet for beskadigede, manglende eller løse dele, såsom skruer, møtrikker, bolte, hætter osv. Stram alle møtrikker og hætter helt til, og betjen ikke dette produkt, før alle manglende eller beskadigede dele er udskiftet.

ANVENDELSE

Du kan bruge dette produkt til de formål, der er nævnt nedenfor:

- Rydning af hårde overflader såsom indkørsler og fortove.
- Holde terrasser og indkørsler fri for blade og fyrrenåle.

BEMÆRK: Værktøjet skal kun bruges til det formål, det er beregnet. Enhver anden anvendelse anses for at være et tilfælde af fejlbrug.

MONTERING / AFMONTERING af BLÆSERRØRET

▪ Samling (fig. B)

Lad rillen flugte, og skub røret på blæserhuset, indtil du hører et "klik".

▪ Adskillelse (fig. C)

Tryk på udløserknappen til røret, træk røret af.

INSTALLATION / FJERNELSE AF BATTERIPAKKEN (fig. D)

Oplad før første brug.

- Installation

Flugt batteriets ribber med monteringsrillerne, og tryk batteripakken ned, indtil du hører et "klik".

▪ Afmontering

Tryk på udløserknappen til batteriet, og træk batteripakken ud.

⚠ ADVARSEL: Vær altid opmærksom på dine fødders placering og på børn eller kæledyr omkring dig, når du trykker på udløserknappen til batteripakken. Der kan opstå alvorlig skade, hvis batteriet falder. Fjern ALDRIG batteripakken, når du står højt hævet.

START / STOP AF BLÆSEREN (fig. E)

▪ Start

Tryk på startknappen, og hold den inde. Efter en kort forsinkelse vil løvblæseren begynde at køre.

▪ Stop

Slip startknappen.

JUSTERING AF LUFTHASTIGHEDEN

▪ Øge / reducere lufthastigheden

Drej knappen til justering af lufthastigheden med uret / mod uret.

▪ Forstærke lufthastigheden

Tryk på boost-knappen for at opnå den maksimale lufthastighed.

BEMÆRK: Når boost-knappen slippes, vil løvblæseren vende tilbage til den tidligere hastighed.

BETJENING AF BLÆSER

- For ikke at sprede snavset og skidt bør man blæse rundt om yderkanterne af bunken af snavs og skidt. Blæs aldrig direkte ind i midten af en bunke.
- For at reducere lydniveauet bør antallet af stykker tilbehør, der anvendes på et givet tidspunkt, begrænses
- Brug river og koste til at løsne skidt og snavs, før der blæses. Hvis der er støvet, så fugt overfladerne let, hvis der er vand i nærheden.
- Spar på vandet ved at bruge løvblæsere i stedet for vandslanger til mange af anvendelserne på græsplæner og i haver, herunder områder som tagrender, læskærme, terrasser, griller og verandaer.
- Hold øje med børn, kæledyr, åbne vinduer eller nyvaskede biler, og blæs skidt og snavs sikkert i den rigtige retning.
- Efter at have brugt løvblæsere eller andet udstyr: Ryd op! Bortskaf skidt og snavs på korrekt vis.

DK



VEDLIGEHOLDELSE

⚠ ADVARSEL: Ved service må der kun bruges originale reservedele fra EGO. Brug af andre dele kan forårsage fare eller forårsage skader på produktet. For at sikre sikkerhed og pålidelighed skal alle reparationer udføres af en kvalificeret servicetekniker.

⚠ ADVARSEL: For at undgå alvorlig personskade skal batteripakken altid fjernes fra produktet, når der skiftes tilbehør, under rengøring eller vedligeholdelse.

ALMINDELIG VEDLIGEHOLDELSE

Undgå at bruge opløsningsmidler ved rengøring af plastdele. De fleste plastmaterialer risikerer at blive ødelagt ved brug af forskellige typer af alment tilgængelige opløsningsmidler. Brug rene klude til at fjerne snavs, støv, olie, fedt osv.

⚠ ADVARSEL: Lad aldrig bremsevæske, benzin, oliebaseerede produkter, indtrængende olier osv. komme i kontakt med plastdele. Kemikalier kan beskadige, svække eller ødelægge plast, hvilket kan resultere i alvorlig personskade.

DK

OPBEVARING

- Fjern alle fremmedlegemer fra løvblæserens luftindtag.
- Opbevar indendørs på et sted, der er utilgængeligt for børn. Holdes væk fra ætsende stoffer, såsom havekemikalier og vejsalt.

Beskyttelse af miljøet



Smid ikke elektrisk udstyr, batterioplader og batterier / genopladelige batterier i affaldsspanden!

Ifølge EU-direktiv 2012/19/EU og EU-direktiv 2006/66/EF skal henholdsvis elektrisk og elektronisk udstyr, der ikke længere er brugbart, og defekte eller brugte batterier / batteripakker indsamles særskilt og bortskaffes på miljørigtig måde.

Hvis elektriske apparater smides på lossepladsen eller affaldsdeponier kan der sive giftige stoffer ned i grundvandet og komme ud i fødekæden og gøre skade på menneskers sundhed og velfærd.

EU-OVERENSSTEMMELSESERKLÆRING

Vi, CHERVON EUROPE LTD.

47 CASTLE STREET, READING, RG1 7SR, UNITED KINGDOM

erklærer, at produktet **56V lithium-ion batteridrevet løvblæser LB5300E** er i overensstemmelse med de væsentlige sundheds- og sikkerhedskrav i følgende direktiver:

2006/42/EF, 2004/108/EF, 2011/65/EU, 2000/14/EF

Anførte standarder og tekniske specifikationer:

EN60335-1, EN50636-2-100, EN62233, EN55014-1, EN55014-2

Målt lydeffektniveau: 97 dB(A).

Garanteret lydeffektniveau: 100 dB(A).

Peter Melrose
Vice President for Chervon Europe

Dong Jianxun
Quality Manager i Chervon

* (Autoriseret repræsentant for CHERVON og ansvarlig for teknisk dokumentation)

01/01/2016



FEJLFINDING

PROBLEM	ÅRSAG	LØSNING
Løvbleser virker ikke.	<ul style="list-style-type: none">▪ Batteripakken er ikke sat på løvbleseren.▪ Ingen elektrisk kontakt mellem løvbleseren og batteriet.▪ Batteripakken er afladet.▪ Batteripakke eller løvbleser er for varm.	<ul style="list-style-type: none">▪ Sæt batteripakken på løvbleseren.▪ Fjern batteriet, kontrollér kontakterne, og sæt batteripakken på igen.▪ Oplad batteripakken.▪ Afkøl batteripakke og løvbleser, indtil temperaturen falder til under 67 °C.
Lufthastigheden falder betydeligt.	<ul style="list-style-type: none">▪ Stærkt slid på motorventilator.▪ Luftindtaget er blokeret af skidt og snavs.	<ul style="list-style-type: none">▪ Kontakt EGO's servicecenter for reparation▪ Fjern batteripakken, fjern skidt og snavs.

GARANTI

EGO's GARANTIPOLITIK

Besøg venligst hjemmesiden egopowerplus.com for fuldstændige vilkår og betingelser for EGO's garantipolitik.

DK

LÄS IGENOM ALLA INSTRUKTIONER!



LÄS IGENOM OCH FÖRSTÅ BRUKSANVISNINGEN

OBS! Dessa instruktioner skall även vara tillgängliga i ett alternativt format, t.ex. på en webbplats.

⚠ Kvarstående risker! Personer med elektroniska implantat såsom hjärtstimulatorer bör konsultera sin(a) läkare innan de använder denna produkt. Användning av elutrustning nära en hjärtstimulator kan störa eller avbryta dess funktion.

⚠ VARNING! Alla reparationer bör utföras av en kvalificerad servicetekniker för att upprätthålla produktens säkerhet och driftssäkerhet.

SÄKERHETSSYMBOLER

Syftet med säkerhetssymboler är att fästa din uppmärksamhet på eventuella risker. Säkerhetssymbolerna och deras betydelser bör uppmärksammas noga och förstås. Själva varningssymboler kan dock inte förebygga någon fara. De instruktioner och varningar som de hänvisar till kan aldrig ersätta lämpliga olycksförebyggande åtgärder.

⚠ VARNING! Se till att läsa igenom och förstå alla säkerhetsinstruktioner i bruksanvisningen, inklusive alla varningssymboler såsom **“RISK”**, **“VARNING”** och **“VAR FÖRSIKTIG”**, innan produkten tas i bruk. Underlåtenhet att följa alla nedan angivna instruktioner kan leda till elstöt, brand och/eller svår personskada.

NOTER OM FOREBYGGANDE AV SKADA OCH INFORMATION

Dessa noter ger användaren viktig information och/eller instruktioner; om de inte följs kan det leda till skada på verktyget eller annan egendom. Varje not är markerad med **“OBS”** som i exemplet nedan:

OBS: Underlåtenhet att följa dessa instruktioner kan leda till skada på verktyget och/eller annan egendom.



⚠ VARNING! Arbete med eldrivna verktyg kan medföra att främmande föremål slungas upp i ögonen vilket kan orsaka svåra ögonskador. Ta alltid på dig skyddsglasögon eller skyddsglasögon med sidoskydd och vid behov ett komplett ansiktsskydd innan du börjar arbeta med eldrivna verktyg. Vi rekommenderar att använda ett heltäckande visir glasögon eller vanliga skyddsglasögon med sidoskydd.

SÄKERHETSINSTRUKTIONER

På denna sida anges säkerhetssymboler som kan förekomma på produkten. Alla instruktioner som anges på enheten bör granskas, förstås och följas innan du försöker montera och använda den.

	Säkerhetsvarning	Försiktighetsåtgärder för din säkerhet
	Använd skyddsglasögon	Använd alltid skyddsglasögon eller skyddsglasögon med sidoskydd och ett ansiktsskydd vid arbete med denna produkt.
	Använd hörselskydd	Använd alltid hörselskydd vid arbete med denna produkt.
	Läs igenom bruksanvisningen	Användaren bör läsa igenom och förstå bruksanvisningen innan verktyget används för att minska risken för personskada.
	Håll obehöriga på avstånd	Håll alla åskådare på ett avstånd av minst 15 meter.
	Konstruktion av klass II	Konstruktion med dubbel isolering.
	Får inte utsättas för fukt	Använd inte i regn och lämna inte heller utomhus när det regnar.
V	Volt	Spänning
A	Ampere	Ström
Hz	Hertz	Frekvens (cykler per sekund)
W	Watt	Effekt
min	Minuter	Tid

SE

m ³ /h	Kubikmeter per timme	Luftvolym
km/h	Kilometer per timme	Luftflödes hastighet
	Växelström	Strömtyp
	Likström	Strömtyp eller -specifikation
n ₀	Hastighet obelastat	Rotationshastighet i obelastat tillstånd
... /min	Per minut	Rotationer per minut

Grundläggande försiktighetsåtgärder bör alltid vidtas vid arbete med eldrivna enheter, bl a de nedan angivna:

ALLMÄNNA SÄKERHETSVARNINGAR FÖR ELDRIVNA VERKTYG

⚠ VARNING! Läs igenom alla säkerhetsvarningar och instruktioner. Underlåtenhet att följa varningarna och instruktionerna kan leda till elstöt, brand och/eller svår personskada.

Spara alla varningar och instruktioner för framtida behov.

Termen "eldrivnet verktyg" i varningarna hänvisar till ditt nätdrivna (med sladd) eller batteridrivna (sladdlösa) elverktyg.

SÄKERHET I ARBETSOMRÅDET

- **Håll arbetsområdet rent och väl belyst.** Stökiga eller mörka arbetsområden kan leda till olyckor.
- **Eldrivna verktyg får inte användas i explosiva miljöer** såsom i närvaro av lättantändliga vätskor, gaser eller damm. Eldrivna verktyg kan avge gnistor som kan tända damm eller ångor.
- **Håll barn och andra obehöriga på avstånd under arbete med eldrivna verktyg.** Distractioner kan få dig att tappa kontrollen.

ELSÄKERHET

- **Stickproppen av den elektriska enheten ska passa uttaget. Stickproppen får aldrig modifieras på något sätt. Använd inga adapterstickproppar med jordade elektriska enheter.** Omodifierade stickproppar och lämpliga uttag minskar risken för elstöt.
- **Undvik kroppskontakt med jordade ytor** såsom rör, radiatorer, elpisar och kylskåp. Risken för elstöt ökar när din kropp är jordad.

- **Eldrivna verktyg får inte utsättas för regn eller väta.** Intrång av vatten i verktyget ökar risken för elstöt.
- **Sladden får inte utsättas för påfrestningar. Använd inte sladden för att bära, dra eller koppla ur laddaren. Håll laddaren borta från hög värme, olja, vassa kanter eller rörliga detaljer.** Skadade eller tilltrasslade sladdar ökar risken för elstöt.
- **Om ett eldrivet verktyg används utomhus, använd en förlängningsladd som är lämplig för utomhusbruk.** Sladdar för utomhusbruk minskar risken för elstöt.
- **Om användning av ett eldrivet verktyg i en fuktig miljö är oundviklig, använd ett strömnät som är skyddat med en jordfelsbrytare (RCD).** Användning av jordfelsbrytare minskar risken för elstöt.

PERSONSÄKERHET

- **Var uppmärksam, se vad du gör och använd sunt förnuft vid användning av ett eldrivet verktyg. Eldrivna verktyg får inte användas medan du är trött eller påverkad av narkotika, alkohol eller läkemedel.** Ett ögonblicks ouppmärksamhet under användning av ett eldrivet verktyg kan leda till svåra personsador.
- **Använd personlig skyddsutrustning. Använd alltid skyddsglasögon.** Skyddsutrustning såsom dammask, halkfria säkerhetsskor, hjälm eller hörselskydd som är lämplig för aktuella förhållanden förebygger personsador.
- **Undvik oavsiktlig start. Se till att huvudströmbrytaren är i avstängt läge innan du ansluter verktyget och/eller batteripacket eller lyfter upp eller bär verktyget.** Olyckor kan hända om du bär eldrivna verktyg med fingret på strömbrytaren eller startar eldrivna verktyg med strömbrytaren i påslaget läge.
- **Avlägsna eventuell justeringsnyckel eller annan nyckel innan verktyget slås på.** En nyckel som har lämnats på ett roterande maskindel kan orsaka personsador.
- **Sträck dig inte för långt. Se till att du hela tiden har säkert fotfäste och balans.** Så har du bättre kontroll över det eldrivna verktyget i oväntade situationer.
- **Ha på dig lämpliga kläder. Använd inga löst sittande kläder eller smycken. Håll håret, kläderna och handskarna borta från rörliga detaljer.** Lösa kläder, smycken eller långt hår kan fastna i rörliga detaljer.
- **Vid verktyg som är försedda med anslutningar för utsugning och uppsamling av damm ska du se till att dessa ansluts och används korrekt.** Användning av dammsug kan minska dammrelaterade risker.

SE



ANVÄNDNING OCH SKÖTSEL AV ELDRIVNA VERKTYG

- **Det eldrivna verktyget får inte överbelastas.** Använd ett lämpligt verktyg för det aktuella arbetet. Rätt verktyg fungerar bättre och säkrare vid hastigheter som det är avsett för
- **Det eldrivna verktyget får inte användas om dess huvudströmbrytare inte fungerar.** Ett eldrivet verktyg som inte kan styras med huvudströmbrytaren är farligt och ska repareras.
- **Koppla loss stickproppen från uttaget och/eller batteripacket från det eldrivna verktyget före justering, byte av tillbehör eller förvaring.** Sådana förebyggande säkerhetsåtgärder minskar risken för oavsiktlig start.
- **Eldrivna verktyg som inte används ska förvaras oåtkomligt för barn.** Ingen person som inte är förtrogen med det eldrivna verktyget eller dessa instruktioner får använda det eldrivna verktyget. Eldrivna verktyg är farliga i händerna på okunniga användare.
- **Ta hand om eldrivna verktyg.** Kontrollera dem för skevning eller kärvning av rörliga detaljer, skada på detaljer eller annat som kan påverka verktygets funktion. Ett skadat eldrivet verktyg ska repareras innan det används igen.
- **Många olyckor orsakas av bristande underhåll av eldrivna verktyg.** Håll skärverktyg vassa och rena. Välskötta skärverktyg med vassa skärblad kärvar mindre och är lättare att styra.
- **Använd det eldrivna verktyget samt dess tillbehör, bits osv i enlighet med dessa instruktioner och med hänsyn till de aktuella arbetsförhållandena och arbetet som ska utföras.** Användning av eldrivna verktyg för ej avsedda ändamål kan medföra risk.

ANVÄNDNING OCH SKÖTSEL AV BATTERIDRIVNA VERKTYG

- **Ladda endast med en laddare som har specificerats av tillverkaren.** En laddare som är lämplig för en typ av batteripack kan orsaka brandrisk om den används med något annat batteripack
- **Eldrivna verktyg får endast användas med batteripack som är uttryckligen avsedda för dem.** Användning av andra batteripack kan medföra risk för personskada och brand.
- **När batteripacket ställs av ska det hållas avskilt från andra metallföremål såsom gem, mynt, nycklar, spikar, skruvar eller andra små**

metallföremål som kan skapa en anslutning mellan batteripoler. Kortslutning av batteripoler kan leda till brännskador eller brand.

- **Vid felaktig användning kan batteriet läcka vätska; undvik kontakt med vätskan. Skölj med vatten vid oavsiktlig hudkontakt. Om vätskan kommer i kontakt med ögonen, sök även läkarhjälp.** Batterivätska kan orsaka irritation eller brännskador.

SERVICE

- **Service bör utföras av en kvalificerad reparatör och endast med identiska reservdelar.** Detta upprätthåller säkerheten av det eldrivna verktyget

LÄS IGENOM ALLA INSTRUKTIONER INNAN PRODUKTEN ANVÄNDS!

UTBILDNING

- **Läs noga igenom instruktionerna.** Lär känna styrenheterna och korrekt användning av maskinen.
- **Låt inte följande använda maskinen: Barn eller personer med nedsatt fysisk, sensorisk eller mental förmåga eller personer som saknar erfarenhet eller kunskap eller är obekanta med dessa instruktioner.**
- **Låt aldrig personer som inte är förtrogna med dessa instruktioner använda maskinen.** Lokala föreskrifter kan begränsa användarens ålder.
- **Använd aldrig maskinen i närheten av andra människor, särskilt barn, eller husdjur.**
- **Operatören eller användaren ansvarar för olyckor eller risker som andra människor eller deras egendom utsätts för.**

FÖRBEREDELSE

- **Ha alltid på dig kraftiga skor och långbyxor när du arbetar med maskinen.**
- **Använd inga löst sittande kläder eller smycken som kan dras in i luftintaget.** Håll långt hår borta från luftintagen
- **Ha på dig skyddsglasögon under arbetet.**
- **Skyddsmask rekommenderas för att undvika hud- eller andningsirritation pga damm**
- **Kontrollera batterierna eller batteripacken för skada före användning.** Maskinen får inte användas om batterierna eller batteripacket är skadade.
- **Maskinen får aldrig användas med defekta skydd eller skärmar eller utan påmonterade säkerhetsanordningar, t ex skräppupsamlare.**

SE

ANVÄNDNING

■ Koppla alltid ur batterierna eller batteripacket

1. När du lämnar maskinen;
2. Innan du avlägsnar en tilltappning
3. Före kontroll, rengöring eller ingrepp på maskinen;
4. Om maskinen börjar vibrera onormalt.

■ Använd maskinen endast i dagsljus eller bra belysning.

■ Sträck dig inte för långt och behåll balansen hela tiden.

■ Se till att ha säkert fotfäste på slutningar

- Gå med maskinen, spring inte
- Håll alla luftintag rena från skräp.
- Blås aldrig skräp mot andra människor.
- Det rekommenderas att endast använda maskinen vid lämplig tid på dagen - inte tidigt på morgonen eller sent på kvällen då den kan störa andra.
- Det rekommenderas att kratta eller sopa arbetsområdet för att lossa skräp före blåsning.
- Det rekommenderas att fukta ytorna lätt i dammiga miljöer eller använda ett tillbehör för fuktning.

⚠ VARNING! Risk pga roterande maskindelar!

- Använd blåsroret i full längd så att lövblåsen blåser ut luft nära marken.
- Maskinen får inte användas nära öppna fönster eller dyligt.

UNDERHÅLL OCH FÖRVARING

- Se till att alla muttrar, bultar och skruvar är väl ådragna för att maskinen ska förbli i säkert arbetsskick
- Kontrollera skräppuppsamlaren ofta för nötning eller defekter.
- Byt ut nötta eller skadade detaljer.
- Använd endast originalreservdelar och -tillbehör.
- Maskinen får endas förvaras i ett torrt ställe.

⚠ VARNING! Alla reparationer bör utföras av en kvalificerad servicetekniker för att upprätthålla produktens säkerhet och driftssäkerhet.

⚠ VARNING! För att minska risken för brand, elstöt eller personskada:

VIKTIGT!

**LÄS IGENOM NOGA FÖRE ANVÄNDNING.
SPARA FÖR FRAMTIDA BRUK**

■ Lär känna din eldrivna lövblås. Läs noga igenom bruksanvisningen. Lär känna lövblåsens användningsområden och begränsningar samt eventuella specifika risker i samband med denna lövblås. Genom att följa denna regel minskar du risken för elstöt, brand eller svåra personsador

■ Lövblåsen får inte utsättas för regn eller väta. Intrång av vatten i lövblåsen ökar risken för elstöt.

■ Låt aldrig barn leka med lövblåsen. Var särskilt uppmärksam när maskinen används av eller nära barn.

■ Använd maskinen uteslutande i enlighet med bruksanvisningen. Använd endast tillbehör som rekommenderas av tillverkaren.

■ Ta lövblåsen till ett servicecenter om den fungerar dåligt eller har tappats, skadats eller fallit i vatten.

■ Laddaren (inkl laddarens stickpropp) eller laddarkontakter får inte hanteras med våta händer

■ Stick aldrig något föremål i någon öppning på verktyget. Verktyget får inte användas om någon öppning är tilltäppt; håll öppningarna rena från damm, ludd, hår och allt annat som kan hindra luftflödet.

■ Håll håret, lösa kläder, fingrarna och alla kroppsdelar borta från öppningar och rörliga detaljer. Lösa kläder, smycken eller långt hår kan dras in i luftintag.

■ Sätt upp långt hår ovanför axelhöjden för att undvika att det fastnar i rörliga detaljer.

■ Var särskilt försiktig vid arbete på trappor.

■ Batteripacket får inte laddas utomhus.

■ Använd endast den av tillverkaren levererade laddaren.

■ Lövblåsen får inte lämnas utan uppsyn medan batteriet sitter i verktyget. Ta ut batteriet när lövblåsen inte används och före service.

■ Lövblåsar får inte användas i explosiva miljöer såsom i närvaro av lättantändliga vätskor, gaser eller damm. Lövblåsar avger gnistor som kan antända damm eller ångor.

■ Den batteridrivna lövblåsen får endast användas med det specifikt avsedda batteripacket. Användning av andra batterier kan medföra brandrisk.

■ Använd endast med batteripack och laddare som anges nedan.

BATTERIPACK	LADDARE
BA1120E, BA2240E, BA2800, BA3360, BA4200	CH5500E, CH2100E

SE

⚠ VARNING!

56 VOLTS LITIUM-JONBATTERI SLADDLÖS LÖVBLÅS — LB5300E

85

- Ta ut batteripacket ur maskinen innan den kasseras.
- Kassera det uttjänta batteriet på ett säkert sätt.
- **Var uppmärksam, se vad du gör och använd sunt förnuft vid användning av en eldriven lövblås.** Lövblåsen får inte användas medan du är trött eller påverkad av narkotika, alkohol eller läkemedel. Ett ögonblicks uppmärksamhet under användning av ett eldrivet verktyg kan leda till svåra personskador.
- **Undvik oavsiktlig start. Se till att huvudströmbrytaren är i avstängt läge innan du ansluter batteripacket.** Olyckor kan hända om du bär lövblåsen med fingret på strömbrytaren eller ansluter batteripacket medan strömbrytaren är påslaget läge.
- **Använd personlig skyddsutrustning. Använd alltid skyddsglasögon.** Dammask, halkfria säkerhetsskor, hjälm eller hörselskydd bör användas enligt aktuella förhållanden.
- **Stå aldrig på en stega, ett tak, ett träd eller annat ostadigt underlag.** Säkert fotfäste på ett stadigt underlag möjliggör bättre kontroll över lövblåsen i oväntade situationer.
- Var alltid medveten om placeringen av dina fötter och var eventuellt närvarande barn eller husdjur befinner sig medan du trycker på lossningsknappen för batteriet. **Ett tappat batteripack kan orsaka svåra skador. Ta ALDRIG ut batteripacket på ett högt belägen plats.**
- **Lövblåsen får inte användas om dess huvudströmbrytare inte fungerar.** En lövblås som inte kan styras med huvudströmbrytaren är farlig och ska repareras.
- **Koppla loss batteripacket från lövblåsen före justering eller byte av tillbehör eller innan lövblåsen ställs av.** Sådana förebyggande säkerhetsåtgärder minskar risken för oavsiktlig start.
- **Stäng av alla styrenheter innan batteriet tas ut.**
- Försök **INTE** att avlägsna tilltappningar från maskinen utan att först ta ut batteriet.
- **Kontrollera lövblåsen för skevning eller kärvning av rörliga detaljer, trasiga detaljer och allt annat som kan påverka lövblåsens funktion. Lämna in lövblåsen till service om någon detalj är skadad.** Många olyckor orsakas av bristande underhåll av lövblåsar.
- **Håll lövblåsen och dess handtag torra, rena och fria från olja och smörjmedel.** Rengör alltid med en ren trasa. Bromsvätska, bensin, petroleumbaserade produkter eller starka lösningsmedel får inte användas för att rengöra lövblåsen. Genom att följa denna regel minskar du risken för att du tappar kontrollen och risken för skada på plasthöljet.
- **Använd alltid skyddsglasögon med sidoskydd.** Vanliga glasögon tål endast måttliga stötar. De är **INGA** skyddsglasögon. Genom att följa denna regel minskar du risken för ögonskador.
- **Skydda dina lungor. Ha på dig en ansiktsmask eller dammask vid arbete i en dammig miljö.** Genom att följa denna regel minskar du risken för svåra personskador.
- **Skydda din hörsel. Ha på dig hörselskydd vid längre användning av maskinen.** Genom att följa denna regel minskar du risken för svåra personskador.
- **Batteridrivna lövblåsar behöver inte anslutas till ett uttag; därför är de alltid användningsklara. Var medveten om eventuella risker medan den batteridrivna lövblåsen inte används eller vid byte av tillbehör.** Genom att följa denna regel minskar du risken för elstöt, brand eller svåra personskador
- **Ha på dig rejäla långbyxor, långärmad tröja eller dylikt, skor och skyddshandskar.** Undvik löst sittande kläder eller smycken som kan fastna i rörliga detaljer av maskinen eller dess motor.
- **Maskinen får inte användas barfota eller i sandaler eller liknande lätta skor.** Ha på dig skyddsskor som skyddar fötterna och ger bättre fotfäste på hala underlag
- **Batterier kan explodera i närvaro av en antändningskälla såsom en pilotlåg.** Sladdlösa produkter får aldrig användas i närvaro av öppen låga för att minska risken för svåra personskador. Vid explosion kan batteriet slunga ut skräp och kemiska ämnen. Vid hudkontakt skölj omedelbart med vatten.
- **Behåll säkert fotfäste och bra balans.** Sträck dig inte för långt, annars kan du tappa balansen.
- **Kontrollera arbetsområdet före varje användning.** Avlägsna alla föremål såsom stenar, glasskärvor, spikar, träd eller snöre som kan slungas upp eller fastna i maskinen.
- **Blåsröret får inte riktas mot människor eller husdjur.**
- **Kör aldrig maskinen utan påmonterade nödvändiga tillbehör.** Se alltid till att blåsröret är påmonterat.
- **Lövblåsen ska förvaras inomhus i ett torrt, säkert ställe utom räckhåll för barn medan den inte används .**
- **Håll alla obehöriga, barn och husdjur på minst 15m avstånd.**

- **Service får endast utföras av kvalificerade reparatörer.** Service eller underhåll som utförs av okvalificerad personal kan medföra risk för personskador.
- **Använd endast identiska reservdelar vid service.** Följ instruktionerna i avsnittet "Underhåll" i bruksanvisningen. Användning av ej godkända detaljer eller underlåtenhet att följa underhållsinstruktionerna kan medföra risk för elstöt eller personskada.
- **Lövlåsen får aldrig användas nära öppen låga eller het aska.** Arbete nära öppen låga eller aska kan orsaka spridning av brand och leda till svåra personskador och/eller egendomsskada.
- **Lövlåsen får aldrig användas för att sprida kemikalier, konstgödsel eller något annat giftigt ämne.** Spridning av sådana ämnen kan leda till svåra personskador på the operatören eller andra.
- **Lövlåsen får aldrig placeras på något annat underlag än en hård och ren yta medan motorn är på.** Grus, sand och annat skräp kan dras in i luftintaget och slungas ut mot operatören eller andra och eventuellt orsaka svåra personskador.
- **Spara dessa instruktioner.** Läs dem ofta och använd dem för att instruera eventuella övriga användare av enheten. Om du lånar enheten till någon bör dessa instruktioner följa med för att förebygga eventuell fel användning och personskada.

SPARA DESSA INSTRUKTIONER!

SPECIFIKATIONER

Spänning	56V
Obelastad hastighet	Boost: 23 000 /min
	Hög: 18 000 /min
	Låg: 10 000 /min
Luftvolym	Boost: 900 m ³ /h
	Hög: 675 m ³ /h
	Låg: 440 m ³ /h
Lufthastighet	Boost: 176 km/h
	Hög: 136 km/h
	Låg: 80 km/h
Ungefärlig batteritid (med EGO 2,5 Ah-batteri)	10 min. (Boost)
	23 min. (hög hastighet)
	75 min. (låg hastighet)
Lövlåsarens vikt (utan batteripack)	2,18 kg

Uppmätt ljudeffektnivå L _{WA}	97 dB(A) K _{WA} =2,5 dB(A)
Ljudtrycksnivå vid operatörens plats L _{PA}	81,8 dB(A) K _{PA} =2,5 dB(A)
Garanterad ljudeffektnivå L _{WA} (uppmätt i enlighet med 2000/14/EC)	100 dB(A)
Vibration a _h	1,351 m/s ² K=1,5 m/s ²

- Det angivna totalvärdet för vibration är uppmätt enligt standardprovningmetoden och kan användas för att jämföra olika verktyg;
 - Det angivna totalvärdet för vibration kan även användas vid preliminär utvärdering av exponering
- OBS!** Den verkliga vibrationen under arbete med det eldrivna verktyget kan avvika från det angivna värdet. Användaren bör ha på sig lämpliga handskar och hörselskydd för de aktuella arbetsförhållandena för att skydda sig.

PACKLISTA

KOMPONENTNAMN	ANTAL
Lövlås	1
Blåsrör	1
Platt munstycke	1
Bruksanvisning	1

SE

BESKRIVNING

LÄRA KÄNNA DIN LÖVBLÅS (bild A)

1. Frigöringsknapp för batteriet
2. Formgjutet handtag
3. Avtryckare
4. Boostknapp
5. Justeringsreglage för lufthastighet
6. Frigöringsknapp för röret
7. Blåsrör
8. Luftutsläpp
9. Luftintag
10. Utskjutningsmekanism
11. Monteringsplats
12. Elektriska kontakter
13. Spärr
14. Fäste för axelrem

⚠ VARNING! Säker användning av produkten förutsätter att man har förstått informationen om enheten och informationen i denna bruksanvisning samt är förtrogen med arbetet som ska utföras. Lär känna alla funktioner och säkerhetsregler innan produkten tas i bruk.

ANVÄNDNING

⚠ VARNING! Var aldrig vårdslös, även om du är väl förtrogen med verktyget. Glöm inte att en bråkdel av en sekund av ouppmärksamhet är tillräcklig för att orsaka svåra personskador.

⚠ VARNING! Försök inte att modifiera denna produkt eller skapa tillbehör som inte rekommenderas för användning med denna lövblåsare. Alla sådana ändringar eller modifikationer är felaktig användning och resulterar i farliga förhållanden som kan leda till allvarliga personskador.

⚠ VARNING! Ta alltid ut batteripacket ur produkten innan du monterar tillbehör, gör inställningar, rengör eller ställer av verktyget. Om batteripacket tas ut undviker man oavsiktlig start som kan leda till svåra personskador.

Kontrollera hela produkten för skadade, saknade eller lösa detaljer såsom skruvar, muttrar, bultar, lock osv före varje användning. Dra åt alla fästen och lock noga och använd produkten först när alla saknade eller skadade detaljer är utbytta.

ANVÄNDNINGSSOMRÅDEN

Denna produkt kan användas för nedan angivna ändamål:

- Städning av hårda ytor såsom uppfarter och trottoarer.
- Rengöring av terrasser och uppfarter från löv och barr.

OBS! Verktyget får endast användas för sitt avsedda ändamål. All annan användning bedöms som felaktig användning.

MONTERA/TA BORT BLÅSRÖRET

■ Montering (bild B)

Rikta in skåran och tryck in röret på blåshölet tills du hör ett "klick".

■ Borttagning (bild C)

Tryck på frigöringsknappen för röret och dra sedan ut röret.

INSTALLERA/TA BORT BATTERIPACKET (bild D)

Ladda före första användning.

■ Installera

Rikta in listerna på batteriet med monteringsspåren och tryck sedan ner batteripacket tills du hör ett "klick".

■ Ta bort

Tryck in frigöringsknappen för batteriet och dra sedan ut batteripacket.

⚠ VARNING! Var alltid medveten om placeringen av dina fötter och var eventuellt närvarande barn eller husdjur befinner sig medan du trycker på lossningsknappen för batteriet. Ett tappat batteripack kan orsaka svåra skador. Ta ALDRIG ut batteripacket på ett högt belägen plats.

STARTA/STOPPA LÖVBLÅSAREN (bild E)

■ Starta

Tryck in och håll ner avtryckaren. Efter en kort tidsfördröjning startar lövblåsaren.

■ Stoppa

Släpp upp avtryckaren.

JUSTERA LUFTHASTIGHETEN

■ Öka/minska lufthastigheten

Vrid justeringsreglaget för lufthastigheten med-/moturs.

■ Öka lufthastigheten

Tryck på Boostknappen för att uppnå den högsta lufthastigheten.

OBS! När Boostknappen släpps upp återgår lövblåsaren till föregående hastighet.

ANVÄNDNING AV LÖVBLÅSEN

- Blås runt ytterkanterna av en skräphög för att undvika spridning av skräp. Blås aldrig rakt in i en skräphög
- Begränsa antalet maskiner som används på en gång för att minska bullernivån.
- Kratta eller sopa arbetsområdet för att få loss skräpet före blåsning. Om arbetsområdet är dammigt, fukta ytan lätt om möjligt.
- Spara vatten genom att använda en lövblås i stället för en trädgårdsslang för rengöring av många olika ställen på gräsmattor och i trädgårdar såsom rännor, avskärmningar, terrasser, grillplatser, verandor och uteplatser.
- Se upp för barn, husdjur, öppna fönster eller nytvättade bilar och blås skräp i motsatt riktning från dem på ett säkert sätt.



- Städa upp efter användning av lövblåsar eller annan utrustning! Hantera avfallet korrekt.

UNDERHÅLL

⚠ VARNING! Använd endast identiska reservdelar vid service. Användning av andra detaljer kan leda till risker eller skada på produkten. Alla reparationer bör utföras av en kvalificerad servicetekniker för att upprätthålla säkerhet och driftssäkerhet.

⚠ VARNING! Ta alltid ut batteripacket ur produkten före rengöring eller underhåll för att undvika svåra personskador.

ALLMÄNT UNDERHÅLL

Undvik användning av lösningsmedel vid rengöring av plastdetaljer. De flesta plastmaterialen är känsliga mot olika vanliga lösningsmedel. Använd rena trasor för att avlägsna smuts, damm, olja, smörjmedel osv.

⚠ VARNING! Se till att plastdetaljerna inte kommer i kontakt med bromsvätska, bensin, petroleumbaserade produkter, penetrerande oljor osv. Kemikalier kan skada, försvaga eller förstöra plast vilket kan leda till svåra personskador.

FÖRVARING

- Rengör lövblåsens luftintag noga från alla främmande föremål.
- Förvara lövblåsen inomhus oåtkomligt för barn. Håll borta från korrosiva ämnen såsom trädgårdskemikalier och avsningsalter.

Miljöskydd



Elektriska enheter, batteriladdare och batterier/uppladdningsbara batterier får inte kastas med hushållsavfall!

Enligt det europeiska direktivet 2012/19/EU ska uttjänta elektriska och elektroniska enheter samlas separat och hanteras på ett miljövänligt sätt; samma gäller för defekta eller uttjänta batteripack/batterier enligt det europeiska direktivet 2006/66/EG.

Om elektriska enheter hamnar i soptippar eller avfallsdepåer kan farliga ämnen läcka ut till grundvattnet, hamna i näringskedjan och skada din hälsa och ditt välmående.

EG-FÖRSÄKRAN OM ÖVERENSSTÄMMELSE CE

Vi, CHERVON EUROPE LTD.

47 CASTLE STREET, READING, RG1 7SR, UNITED KINGDOM

försäkrar att produkten **56V sladdlös lövblås med litium-jonbatteri LB5300E** uppfyller de grundläggande hälso- och säkerhetskraven enligt följande direktiv:

2006/42/EC, 2004/108/EC, 2011/65/EU, 2000/14/EC

standarder och tekniska specifikationer:

EN60335-1, EN50636-2-100, EN62233, EN55014-1, EN55014-2

Uppmätt ljudeffektnivå: 97 dB(A).

Garanterad ljudeffektnivå: 100 dB(A).

Peter Melrose
VD för Chervon Europe

Dong Jianxun
Kvalitetsansvarig hos Chervon

* (Auktoriserad resrepresentant för CHERVON och ansvarig för och ansvarig för teknisk dokumentation)

01/01/2016

SE



FELSÖKNING

PROBLEM	ORSAK	LÖSNING
Lövläsaren fungerar inte.	<ul style="list-style-type: none">▪ Batteripacket är inte anslutet till lövlåsen.▪ Elektrisk anslutning mellan lövlåsen och batteriet saknas▪ Batteripacket är urladdat.▪ Batteripacket eller verktyget är för varmt.	<ul style="list-style-type: none">▪ Sätt in batteripacket i lövlåsen.▪ Ta ut batteriet, kontrollera kontaktarna och sätt i batteripacket igen.▪ Ladda batteripacket.▪ Låt batteripacket och lövlåsen svalna ned tills temperaturen är under 67°C.
Blåshastigheten minskar betydligt.	<ul style="list-style-type: none">▪ Motorfläkten är nött.▪ Luftintaget är tilltäppt av skräp.	<ul style="list-style-type: none">▪ Kontakta EGO:s servicecenter för reparation.▪ Ta ut batteripacket, avlägsna tilltappningen.

GARANTI

GARANTIVILLKOREN AV EGO

Var god besök webbplatsen egopowerplus.com för att se de fullständiga garantivillkoren av EGO.

SE

LUE KAIKKI OHJEET!



LUE KÄYTTÖOHJE SITEN, ETTÄ MYÖS YMMÄRRÄT SEN SISÄLLÖN

HUOMAA: Nämä ohjeet ovat saatavilla myös vaihtoehtoisessa formaatissa, esim. verkkosivustolla.

⚠️ A VAARA! Henkilöiden, joilla on elektroniikkalaitteita, kuten sydämentahdistimia, tulee neuvotella lääkärin kanssa ennen tuotteen käyttöä. Sähkölaitteiden käyttö sydämentahdistimen läheisyydessä voi aiheuttaa tahdistimeen häiriöitä tai vikoja

⚠️ VAROITUS: Valtuutetun huoltoteknikon tulee suorittaa kaikki korjaukset ja osien vaihdot, jotta voidaan taata tuotteen turvallinen ja luotettava käyttö.

TURVALLISUUSYMBOLIT

Turvamerkkien tavoitteena on kiinnittää huomio mahdollisiin vaaroihin. Sinun tulee lukea huolellisesti käyttöohjeet ja ymmärtää turvamerkit ja niiden selitteet. Turvamerkit eivät itsessään poista vaaraa. Niiden antamat ohjeet ja varoitukset eivät korvaa asianmukaisia tapaturman torjuntatoimenpiteitä.

⚠️ VAROITUS: Varmista, että luet ja ymmärrät kaikki tämän käyttäjän käsikirjan turvallisuusohjeet, mukaan lukien kaikki vaaramerkit, kuten **“VAARA”**, **“VAROITUS”** ja **“HUOMIO”**, ennen kuin käytät työkalua. Alla mainittujen ohjeiden noudattamatta jättäminen voi aiheuttaa sähköiskun, tulipalon ja/tai vakavan henkilövahingon.

VAURIOIDEN EHKÄISY JA TIETOILMOITUKSET

Ilmoitukset antavat käyttäjälle tärkeitä tietoja ja/tai ohjeita, joista voi aiheutua laite- tai muita omaisuusvahinkoja, jos niitä ei noudateta. Kutakin ilmoitusta edeltää sana **“HUOMAUTUS”**, kuten alla olevassa esimerkissä:

HUOMAUTUS: Laite- ja/tai omaisuusvahinko voi olla seurauksena, jos näitä ohjeita ei noudateta.



⚠️ VAROITUS: Vierasesineitä voi sähkötyökalujen käytön seurauksena lentää silmiin, ja ne voivat aiheuttaa vakavan silmävamman. Käytä aina suojalaseja tai turvalaseja sivusuojilla ja tarvittaessa kokokasvosuojusta ennen sähkötyökalun käytön aloittamista. Suosittelemme laajan näkökentän kasvosuojusta silmälasien päälle tai vakioturvalaseja sivusuojilla.

TURVALLISUUSOHJEET

Tällä sivulla esitetään ja kuvataan tähän tuotteeseen mahdollisesti liittyvät turvamerkit. Lue kaikki koneen ohjeet siten, että ymmärrät ne, ja noudata niitä ennen kuin kasaat koneen ja käytät sitä.

	Turvallisuushälytys	Varotoimet, jotka liittyvät turvallisuuteesi.
	Käytä suojalaseja	Turvallisuuteen liittyvät varotoimenpiteet. Käytä aina suojalaseja tai turvalaseja sivusuojilla ja kokokasvosuojusta, kun käytät tätä tuotetta.
	Käytä kuulosuojaimia	Käytä kuulosuojaimia aina, kun käytät tätä tuotetta.
	Lue käyttäjän käsikirja	Tapaturmariskin pienentämiseksi käyttäjän täytyy lukea ja ymmärtää käyttäjän käsikirja ennen tuotteen käyttöä.
	Pidä sivulliset loitolla	Pidä kaikki sivulliset vähintään 15m päässä.
	Luokan II laite	Kaksinkertainen eristys.
	Pidä sivulliset loitolla	Älä käytä sateessa tai jätä ulos sateeseen.
V	Voltia	Jännite
A	Ampeeria	Virta
Hz	Hertsiä	Taajuus (sykliä sekunnissa)
W	Watti	Teho
min	Minuuttia	Aika
m ³ /h	kuutiometriä tunnissa	Ilman aerostaattinen tilavuus
km/h	kilometriä tunnissa	Ilman virtausnopeus
~	Vaihtovirta	Virran tyyppi
— —	Tasavirta	Virran tyyppi tai virtajännite-ominaiskäyrä
n ₀	Tyhjäkäyntinopeus	Pyörimisnopeus, kuormittamattomana
... /min	Pyörintänopeus	Kierrosta minuutissa

FI

Kun käytät sähkölaitetta, tiettyjä varoimenpiteitä tulee aina noudattaa, joista seuraavassa mainitaan muutamia:

SÄHKÖTYÖKALUN YLEISIÄ TURVALLISUUSVAROITUKSIA

VAROITUS: Lue kaikki turvallisuusvaroitukset ja -ohjeet. Varoitusten ja ohjeiden noudattamatta jättäminen voi aiheuttaa sähköiskun, tulipalon ja/tai vakavan henkilövahingon.

Säilytä kaikki varoitukset ja ohjeet huolellisesti.

Käsitteellä "sähkötyökalu" tarkoitetaan varoituksissa verkkokäyttöistä (johdolla varustettua) tai akkukäyttöistä (johdotonta) sähkötyökalua.

TYÖALUEEN TURVALLISUUS

- **Pidä työalue puhtaana ja hyvin valaistuna.** Epäjärjestyksessä olevilla tai hämärillä alueilla sattuu helpommin tapaturmia.
- Älä käytä sähkötyökaluja räjähdysvaarallisissa ympäristöissä, kuten syttyvien nesteiden, bensiinin tai pölyn läheisyydessä. **Sähkötyökalujen käytöstä syntyy kipinöitä, jotka voivat sytyttää pölyn tai höyryt palamaan.**
- **Pidä lapset ja sivulliset loitolla, kun käytät sähkötyökalua.** Häiriötekijät voivat aiheuttaa työkalun hallinnan menettämisen.

SÄHKÖTURVALLISUUS

- **Sähkötyökalun pistokkeiden täytyy sopia pistorasiaan. Älä koskaan muuntele pistoketta millään tavalla. Älä käytä sovitinpistokkeita maadoitettujen sähkötyökalujen kanssa.** Muuntelemattomat pistokkeet ja yhteensopivat pistorasiat pienentävät sähköiskun riskiä.
- **Vältä koskettamasta maadoitettuja pintoja, kuten putkia, lämpöpattereita, liesiä ja jääkaappeja.** Maadoitettuihin pintoihin koskettaminen lisää sähköiskun riskiä.
- **Älä altista sähkötyökaluja sateelle tai märille olosuhteille.** Sähkötyökaluun tunkeutuva vesi lisää sähköiskun vaaraa.
- **Älä turmele liitäntäjohtoa. Älä koskaan kannata tai vedä sähkötyökalua johdosta. Älä myöskään irrota sähkötyökalua pistorasiasta johdosta vetämällä. Pidä johto etäällä lämmönlähteistä, öljystä, terävistä kulumista tai liikkuvista osista.** Vioittuneet tai sotkeutuneet johdot lisäävät sähköiskun riskiä.

- **Käytä ulkokäyttöön sopivaa jatkojohtoa, kun käytät sähkötyökalua ulkona.** Ulkokäyttöön sopivan johdon käyttäminen pienentää sähköiskun riskiä.
- **Jos sähkötyökalun käyttö kosteassa tilassa on välttämätöntä, käytä vikavirtakatkaisimella suojattua virtalähdettä.** Vikavirtakatkaisimen käyttö pienentää sähköiskun riskiä.

HENKILÖKOHTAINEN TURVALLISUUS

- **Pysy valppaana, keskity siihen, mitä teet ja muista terve järki, kun käytät sähkötyökalua. Älä käytä sähkötyökalua väsyneenä tai huumausaineiden, alkoholin tai lääkkeiden vaikutuksen alaisena.** Hetkellinen herpaantuminen sähkötyökalujen käytön aikana voi aiheuttaa vakavan henkilövahingon.
- **Käytä henkilönsuojaimia. Käytä aina suojalaseja.** Hengityssuojaimen, liukumattomien turvajalkineiden, suojakypärän tai kuulosuojainten kaltaisten suojarusteiden tarkoituksenmukainen käyttö vähentää henkilövahinkoja
- **Estä tahaton käynnistyminen. Varmista, että kytkin on off-asennossa ennen kuin liität työkalun virtalähteeseen ja/tai akkuysikköön, nostat työkalun tai kannat sitä.** Sähkötyökalujen kantaminen sormen ollessa kytkimellä tai virran kytkeminen sähkötyökaluihin, joiden kytkin on on-asennossa, altistaa tapaturmille.
- **Irrota jokoavaimet tai kiintoavaimet ennen kuin käynnistät sähkötyökalun.** Sähkötyökalun pyöriivään osaan kiinni jätetty kiinto- tai jokoavain voi aiheuttaa henkilövahingon
- **Älä kurkottele. Säilytä aina tukeva asento ja hyvä tasapaino.** Tällöin hallitset paremmin sähkötyökalun odottamattomissa tilanteissa
- **Pukeudu asianmukaisesti. Älä käytä löysiä vaatteita tai koruja. Pidä hiukset, vaatteet ja käsineet kaukana liikkuvista osista.** Löysät vaatteet, korut tai pitkät hiukset voivat tarttua liikkuviin osiin.
- **Jos laitteissa on liitännät pölynpoisto- ja -keräyslaitteille, varmista, että ne on kytketty ja että niitä käytetään oikein.** Pölynpoistolaitteiden käyttö voi vähentää pölyyn liittyviä vaaroja.

SÄHKÖTYÖKALUJEN KÄYTTÖ JA YLLÄPITO

- **Älä ylikuormita sähkötyökalua. Käytä käyttötarkoitukseen sopivaa sähkötyökalua.** Oikealla sähkötyökalulla teet työn paremmin ja turvallisemmin sillä nopeudella, jolle se on suunniteltu.

- **Älä käytä sähkötyökaluja, jos sitä ei voi käynnistää ja sammuttaa kytkimestä.** Kaikki sähkötyökälu, joita ei voi hallita kytkimellä, ovat vaarallisia ja ne täytyy korjata.c
- **Irrota pistoke virtalähteestä ja/tai akkuyksikkö sähkötyökäluista ennen säätöjen tekemistä, lisävarusteiden vaihtamista tai sähkötyökälujen varastointia.** Kyseiset ehkäisevät varotoimenpiteet pienentävät riskiä sähkötyökäluun käynnistymisestä vahingossa.
- **Säilytä toimettomia sähkötyökäluja lasten ulottumattomissa äläkä anna sähkötyökäluun ja näihin ohjeisiin perehtymättömien henkilöiden käyttää sähkötyökäluja.** Sähkötyökälu ovat vaarallisia tottumattomien käyttäjien käsissä.
- **Huolla sähkötyökäluja. Tarkasta seuraavat tekijät: liikkuvia osia ei ole kohdistettu väärin, niissä ei esiinny takertelua, osissa ei näy vaurioita eikä ole muita tekijöitä, jotka voivat vaikuttaa sähkötyökälujen toimintaan.** Jos sähkötyökälu on vaurioitunut, korjautaa se ennen käyttöä. Monet tapaturmat johtuvat huonosti huolletuista sähkötyökäluista.
- **Pidä leikkuutyökälu terävinä ja puhtaina.** Asianmukaisesti huolletut leikkuutyökälu terävillä leikkusärmillä eivät kovin helposti takertele ja niitä on helpompi hallita.
- **Käytä mm. sähkötyökäluja, lisävarusteita ja työkalun vaihtoteriä näiden ohjeiden mukaisesti huomioiden myös työolosuhteet ja suoritettava työ.** Sähkötyökäluun käyttö muuhun kuin suunniteltuun käyttötarkoitukseen voi aiheuttaa vaarallisen tilanteen

AKKUYÖKÄLUN KÄYTTÖ JA YLLÄPITO

- **Lataa uudelleen vain valmistajan määrittelemällä latauslaitteella.** Latauslaite, joka sopii yhdelle akkuyksikkötyypille, voi toisen akkuyksikön kanssa käytettynä aiheuttaa tulipaloriskin.
- **Käytä sähkötyökäluja ainoastaan erityisesti niitä varten tarkoitettujen akkuyksiköiden kanssa.** Kaikkien muiden akkuyksiköiden käyttö voi aiheuttaa loukkaantumis- ja tulipaloriskin.
- **Kun akkuyksikköä ei käytetä, pidä se kaukana metalliesineistä, kuten paperiliittimistä, kolikoista, avaimista, nauloista, ruuveista tai muista pienistä metalliesineistä, jotka voivat muodostaa yhteyden napojen välille.** Akun napojen yhdistäminen voi aiheuttaa palovammoja tai tulipalon.
- **Nestettä voi vuotaa akusta, jos siihen kohdistuu iskuja; välttä tällöin kontaktia. Jos kontakti vahingossa tapahtuu, huuhtelee vedellä. Jos nestettä pääsee silmiin, hakeudu myös lääkärin hoitoon.** Akkuneste voi aiheuttaa ärsytystä tai palovammoja

HUOLTO

- **Huollata sähkötyökälu valtuutetulla korjaajalla, joka käyttää vain valmistajan hyväksymiä varaosia.** Näin voit varmistaa, että sähkötyökälu säilyy turvallisena.

LUE KAIKKI OHJEET ENNEN TÄMÄN TUOTTEEN KÄYTTÖÄ!

ENNEN KÄYTTÖÄ

- **Lue ohjeet huolellisesti.** Perehdy hallintalaitteisiin ja laitteen asianmukaiseen käyttöön
- **Älä anna lasten tai henkilöiden, joilla on alentunut fyysinen, aistillinen tai henkinen toimintakyky tai joilta puuttuu kokemusta ja tietoa tai jotka eivät tunne näitä ohjeita, käyttää laitetta.**
- **Älä anna näihin ohjeisiin perehtymättömien henkilöiden koskaan käyttää laitetta.** Paikalliset säännöt voivat rajoittaa käyttäjän ikää.
- **Älä koskaan käytä laitetta muiden henkilöiden ja erityisesti lasten tai lemmikkieläinten lähellä.**
- **Laitteen käyttäjä on vastuussa muille henkilöille tai heidän omaisuudelleen sattuvista tapaturmista tai vaaroista.**

KÄYTÖN VALMISTELU

- **Pidä aina tukevia jalkineita ja pitkiä housuja, kun käytät laitetta.**
- **Älä pidä löysiä vaatteita tai koruja, jotka voivat joutua ilmanottoaukkoon.** Pidä pitkät hiukset etäällä ilmanottoaukoista.
- **Pidä laitetta käyttäessäsi suojalaseja.**
- **Suosittelemme kasv suojaimeen käyttöä pölyärsytyksen estämiseksi**
- **Tarkasta akut tai akkuyksikkö vaurioiden varalta ennen käyttöä.** Älä käytä laitetta, jos akut tai akkuyksikkö ovat vaurioituneet.
- **Älä koskaan käytä laitetta suojusten tai suojakilpien ollessa viallisia tai ilman, että turvalaitteet, kuten lehti-imuri, ovat paikallaan.**

KÄYTTÖ

- **Irrota akut tai akkuyksiköt**

1. Aina, kun jätät koneen;
2. Ennen tukoksen poistamista;
3. Ennen kuin tarkastat, puhdistat tai huollat laitetta;
4. Jos laite alkaa tärähtää normaalista poikkeavalla tavalla.

- Käytä laitetta vain päivänvalossa tai hyvässä keinovalossa.
- Älä kurkottele ja säilytä aina hyvä tasapaino.
- Varmista aina kunnon asento kaltevilla pinnoilla.
- Kävele, älä koskaan juokse.
- Pidä kaikki jäähdytysilmanottoaukot puhtaina lehdistä ja muista roskista.
- Älä koskaan puhalla lehtiä tai muita roskia sivullisia kohti.
- Suosittelemme käyttämään konetta vain sopivaan aikaan päivästä - ei aikaisin aamulla tai myöhään yöllä, jolloin ihmiset voivat häiriintyä.
- Suosittelemme käyttämään haravia ja harjoja lehtien ja roskien irrottamiseen ennen puhallusta.
- Suosittelemme hieman kostuttamaan pintoja pölyisissä olosuhteissa tai käyttämään sumutinlisäosaa.

VAROITUS: Varo pyöriäviä osia!

- Käytä kokonaista puhaltimen suuttimen jatketta, jotta ilmavirta pääsee lähelle maaperää.
- Älä käytä konetta esim. avoimien ikkunoiden lähellä.

HUOLTO JA VARASTOINTI

F

- Pidä kaikki mutterit, pultit ja ruuvit tiukalla, jotta voit varmistaa laitteen turvallisen toiminnan
- Tarkasta lehti-imuri usein kulumisen tai vaurioitumisen varalta.
- Vaihda kuluneet tai vaurioituneet osat
- Käytä vain alkuperäisiä varaosia ja lisävarusteita.
- Varastoi laite vain kuivaan tilaan.

VAROITUS: Valtuutetun huoltoteknikon tulee suorittaa kaikki korjaukset, jotta voidaan taata tuotteen turvallinen ja luotettava käyttö.

VAROITUS: Pienennä tulipalon, sähköiskun tai henkilövahingon riskiä seuraavasti:
TÄRKEÄÄ
LUE HUOLELLISESTI ENNEN KÄYTTÖÄ.
SÄILYTÄ MYÖHEMPÄÄ KÄYTTÖÄ VARTEN.

- Opettele tuntemaan lehtipuhaltimesi. Lue käyttöohje huolellisesti. Opettele puhaltimen käyttötarkoitukset ja rajoitukset sekä siihen liittyvät mahdolliset vaarat. Näiden ohjeiden noudattaminen pienentää sähköiskun, tulipalon tai vakavan henkilövahingon riskiä.

- Älä altista puhallinta sateelle tai märille olosuhteille. Veden pääsy puhaltimen sisälle lisää sähköiskun riskiä.
- Älä salli puhaltimen käyttämistä leluna. Ole erittäin tarkkaavainen, kun laitetta käytetään lasten toimesta tai heidän lähellään.
- Käytä ainoastaan tässä käsikirjassa kuvatulla tavalla. Käytä ainoastaan valmistajan suosittelemia lisäosia.
- Jos puhallin ei toimi odotetulla tavalla, se on pudotettu, vaurioitunut, jätetty ulkotiloihin tai pudotettu veteen, palauta se huoltopisteeseen.
- Älä käsittele latauslaitetta, pistoke mukaan lukien, tai latauslaitteen liittimiä märin käsin.
- Älä aseta esineitä aukkoihin. Älä käytä jonkin aukon ollessa tukkeutunut; pidä aukot vapaina pölystä, nukasta, hiuksista ja kaikesta muusta, mikä voi pienentää ilmavirtausta.
- Pidä hiukset, löysät vaatteet, sormet ja kaikki kehon osat kaukana aukoista ja liikkuvista osista. Imu voi vetää löysät vaatteet, korut tai pitkät hiukset imuaukkoon
- Kiinnitä pitkät hiukset olkapäätason yläpuolelle estämään kietoutuminen liikkuviin osiin.
- Ole erityisen varovainen käyttäessäsi laitetta portaissa. Älä lataa akkuyksikköä ulkotiloissa.
- Älä lataa akkua ulkona.
- Käytä vain valmistajan toimittamaa laturia lataukseen.
- Älä jätä puhallinta vahtimatta, kun akku on paikallaan. Poista akku, kun puhallinta ei käytetä ja ennen huoltoa.
- Älä käytä puhaltimia räjähdysvaarallisissa ympäristöissä, kuten syttyvien nesteiden, höyryjen tai pölyn läheisyydessä. Puhaltimien käytöstä syntyy kipinöitä, jotka voivat sytyttää pölyn tai höyryt palamaan.
- Käytä akkukäyttöistä puhallinta ainoastaan erityisesti sitä varten tarkoitetun akkuyksikön kanssa. Kaikkien muiden akkujen käyttö voi aiheuttaa tulipaloriskin.
- Käytä vain alla mainittujen akkuyksikköjen ja latauslaitteiden kanssa:

AKKUYKSIKKÖ	LATAUSLAITE
BA1120E, BA2240E, BA2800, BA3360, BA4200	CH5500E, CH2100E

VAROITUS:

- Akkuyksikkö täytyy irrottaa laitteesta ennen laitteen romuttamista.

- Akku on hävitettävä turvallisesti

■ **Pysy valppaana, keskity siihen, mitä teet ja muista terve järki, kun käytät sähköpuhallinta.**

Älä käytä puhallinta väsyneenä, järkyttyneenä tai huumausaineiden, alkoholin tai lääkkeiden vaikutuksen alaisena. Hetkellinen herpaantuminen puhaltimien käytön aikana voi aiheuttaa vakavan henkilövahingon.

■ **Vältä laitteen tahatonta käynnistämistä. Varmista, että kytkin on lukitussa tai off-asennossa ennen kuin asetat akkuyksikön paikalleen.** Puhaltimien kantaminen sormen ollessa kytkimellä tai akkuyksikön asettaminen paikalleen puhaltimeen kytkimen ollessa on-asennossa altistaa tapaturmille.

■ **Käytä turvalaitteita. Käytä aina suojalaseja.** Hengityssuojainta, liukumattomia turvajalkineita, suojakypärää tai kuulosuojainta tulee käyttää tarkoituksenmukaisissa olosuhteissa.

■ **Älä käytä ollessasi tikapuilla, ulkokatolla, puussa tai muun epävakaa tuen päällä.** Vakaa asento kiinteällä pinnalla auttaa paremmin hallitsemaan puhallinta odottamattomissa tilanteissa.

■ **Varo aina jalkojasi ja ympärilläsi olevia lapsia tai lemmikkieläimiä, kun irrotat akkuyksikköä puhaltimesta.**

Akkuyksikön putoamisesta voi aiheutua vakava loukkaantuminen. Älä KOSKAAN irrota akkuyksikköä sen ollessa korkealla.

■ **Älä käytä puhallinta, jos sitä ei voi käynnistää tai sammuttaa kytkimestä.** Puhallin, jota ei voi hallita kytkimellä, on vaarallinen ja se täytyy korjata.

■ **Irrota akkuyksikkö puhaltimesta ennen kuin teet säätöjä, vaihdat lisävarusteita tai varastoit puhaltimen.** Kyseiset ehkäisevät varotoimenpiteet pienentävät riskiä puhaltimen käynnistymisestä vahingossa.

■ **Sammuta kaikki hallintalaitteet ennen akun irrottamista.**

■ **ÄLÄ yritä puhdistaa tukoksia laitteesta ilman, että irrotat ensin akun.**

■ **Tarkasta seuraavat tekijät: liikkuvia osia ei ole kohdistettu väärin, niissä ei esiinny takertelua, osissa ei näy vaurioita eikä ole muita tekijöitä, jotka voivat vaikuttaa puhaltimen toimintaan. Jos puhallin on vaurioitunut, huollata se ennen käyttöä.** Monet tapaturmat johtuvat huonosti huolletuista puhaltimista.

■ **Pidä puhallin ja sen kahva kuivina, puhtaina, öljyttöminä ja rasvattomina.** Käytä aina puhdasta liinaa puhdistukseen. Älä puhdistaa puhallinta jarrunesteillä, bensiinillä, petroliipohjaisilla tuotteilla tai voimakkailla liuottimilla. Tämän ohjeen noudattaminen pienentää hallinnan menettämisen ja muovikotelon vaurioitumisen riskiä.

■ **Käytä aina suojalaseja sivusuojilla.** Tavallisissa silmälasissa on vain iskunkestävät linssit. Ne EIVÄT ole suojalasit. Tämän ohjeen noudattaminen pienentää silmävamman riskiä.

■ **Suojele keuhkojasi. Pidä kasvo- tai hengityssuojainta, jos puhaltimen käytöstä syntyy paljon pölyä.** Tämän ohjeen noudattaminen pienentää vakavan henkilövahingon riskiä.

■ **Suojele kuuloasi. Pidä kuulosuojainta, jos käytät puhallinta pidemmän aikaa.** Tämän ohjeen noudattaminen pienentää vakavan henkilövahingon riskiä

■ **Akkukäyttöisiä puhaltimia ei tarvitse kytkeä sähköverkkoon; ne ovat siksi aina käyttökunnossa. Huomioi mahdolliset vaarat, kun akkukäyttöinen puhallin ei ole käytössä tai kun vaihdat lisävarusteita.** Tämän ohjeen noudattaminen pienentää sähköiskun, tulipalon tai vakavan henkilövahingon riskiä.

■ **Käytä paksuja pitkiä housuja, pitkähaisia puseroita, pitkävartisia kenkiä ja käsineitä.** Vältä löysiä vaatteita tai koruja, jotka voivat tarttua koneen tai sen moottorin liikkuviin osiin.

■ **Älä käytä laitetta, kun olet paljain jaloin tai kun käytät sandaaleja tai muita vastaavia kevyitä jalkineita.** Käytä turvajalkineita, jotka suojaavat jalkojasi ja antavat tukevamman asennon liukkailla pinnoilla.

■ **Akut voivat räjähtää sytytyksen alkulähteen, kuten merkivalon läheisyydessä.** Vakavan henkilövahinkoriskin pienentämiseksi älä koskaan käytä johdotonta tuotetta avotulen läheisyydessä. Räjähtänyt akku voi lennättää ympäriinsä sirpaleita ja kemikaaleja. Jos altistut niille, huuhtelee altistumiskohta välittömästi vedellä.

■ **Säilytä tukeva asento ja hyvä tasapaino. Älä kurkottele.** Siitä voi seurata tasapainon menettäminen.

■ **Tarkasta työalue ennen jokaista käyttöä.** Poista kaikki esineet, kuten kivet, rikkoutunut lasi, naulat, vajjeri tai siima, jotka voivat sinkoutua koneesta tai sotkeutua siihen.

■ **Älä osoita puhaltimen putkella ihmisiä tai lemmikkieläimiä kohti.**

FI

- Älä koskaan käytä laitetta, jos oikeat varusteet eivät ole kiinnitettyinä.
- Varmista aina, että puhaltimen putki on asennettu.
- Kun puhallinta ei käytetä, se tulee varastoida sisätiloihin kuivaan, turvalliseen paikkaan lasten ulottumattomiin.
- Pidä kaikki sivulliset, lapset ja lemmikkieläimet vähintään 15m päässä.
- Puhaltimen huollon saavat suorittaa vain valtuutetut korjaajat. Valtuuttamattoman korjaajan suorittama huolto tai kunnossapito voi aiheuttaa henkilövahingon riskin.
- Kun huollat puhallinta, käytä vain valmistajan hyväksymiä varaosia. Noudata tämän käsikirjan Huolto-osiossa annettuja ohjeita. Valtuuttamattomien osien käyttö tai Huolto-ohjeiden noudattamatta jättäminen voi aiheuttaa sähköisku- tai loukkaantumisriskin.
- Älä koskaan käytä puhallinta tulen tai kuuman tuhkan lähellä. Käyttö tulen tai tuhkan lähellä voi saada tulen leviämään ja seurauksena voi olla vakava henkilövahinko ja/tai omaisuusvahinko.
- Älä koskaan käytä puhallinta levittämään kemikaaleja, lannoitteita tai muita myrkyllisiä aineita. Kyseisten aineiden leviämisestä voi aiheutua vakava vahinko käyttäjälle tai sivullisille.
- Älä koskaan aseta puhallinta kovaa, puhdasta pintaa lukuun ottamatta millekään muulle pinnalle, kun moottori on käynnissä. Ilmanottoaukkoon voi päästä soraa, hiekkaa ja muita roskia ja ne voivat lentää käyttäjää tai sivullisia päin aiheuttaen mahdollisesti vakavia vahinkoja.
- Säilytä nämä ohjeet. Lue niitä usein ja anna ne myös luettavaksi muille henkilöille, jotka mahdollisesti käyttävät työkalua. Jos lainaat työkalua toiselle henkilölle, anna mukaan myös nämä ohjeet, jotta voit estää tuotteen väärinkäytön ja mahdollisen vahingon.

SÄILYTÄ NÄMÄ OHJEET!

MÄÄRITYKSET

Jännite	56 V
Tyhjäkäyntinopeus	Tehoste: 23 000 /min
	Suuri: 18 000 /min
	Alhainen: 10 000 /min
Ilman aerostaattinen tilavuus	Tehoste: 900 m ³ /t
	Suuri: 675 m ³ /t
	Alhainen: 440 m ³ /t
Ilman virtausnopeus	Tehoste: 176 km/t
	Suuri: 136 km/t
	Alhainen: 80 km/t
Käyttöaika likimäärin (EGO 2,5 Ah -akulla)	10 min (Tehoste)
	23 min (Suuri nopeus)
	75 min (Alhainen nopeus)
Puhaltimen paino (ilman akkua)	2,18 kg
Mitattu äänen tehotaso L _{WA}	97 dB(A) K _{WA} =2,5 dB(A)
Äänenpaineen taso käyttäjän korvien tasolla L _{PA}	81,8 dB(A) K _{PA} =2,5 dB(A)
Taattu äänen tehotaso L _{WA} (mitattu 2000/14/EC:n mukaisesti)	100 dB(A)
Väriä a _h	1,351 m/s ² K=1,5 m/s ²

- Ilmoitettu värinän kokonaisarvo on mitattu standardikoemenetelmän mukaan ja sitä voidaan käyttää verrattaessa työkaluja keskenään.
- Ilmoitettua värinän kokonaisarvoa voidaan myös käyttää altistumisen ennakoarvioinnissa.

HUOMAUTUS: Sähkötyökalun todellisen käytön aikana ilmenevä värinä voi erota työkalun käytölle ilmoitetusta arvosta. Käyttäjän suojelemiseksi on todellisissa käyttöolosuhteissa käytettävä käsineitä ja kuulosuojaimia.

PAKKAUSLUETTELO

OSAN NIMI	MÄÄRÄ
Puhallin	1
Puhaltimen putki	1
Puhaltimen litteä suutin	1
Käyttäjän käsikirja	1

KUVAUS

TUNNE PUHALTIMESI (kuva A)

1. Akun vapautuspainike
2. Päällystetty kahva
3. Kytkin
4. Tehostuspainike
5. Ilman nopeuden säätönapulan
6. Putken vapautuspainike
7. Puhaltimen putki
8. Ilmanpoistoaukko
9. Ilmanottoaukko
10. Poistomekanismi
11. Kiinnityskohta
12. Sähköliitännät
13. Salpa
14. Olkahihnakiinnitys

VAROITUS: Tuotteen turvallinen käyttö edellyttää työkalussa mainittujen ja tämän käyttöohjeen tietojen ymmärtämistä ja sen työn tuntemista, johon tuotetta käytetään. Perehdy ennen tuotteen käyttöä kaikkiin toimintoihin ja turvamääräyksiin.

KÄYTTÖ

VAROITUS: Älä anna perehtyneisyyden tuotteeseen saada sinua huolimattomaksi. Muista, että sekunnin murto-osa huolimattomuutta riittää aikaansaamaan vakavan henkilövahingon.

VAROITUS: Käytä aina suojalaseja sivusuojilla sekä kuulosuojaimia. Muussa tapauksessa silmiin voi lentää roskia ja muita mahdollisia vakavia vahinkoja tapahtua.

VAROITUS: Älä käytä lisäosia tai lisävarusteita, joita tuotteen valmistaja ei ole suositellut. Suosittelemattomien lisäosien tai lisävarusteiden käyttö voi aiheuttaa vakavan henkilövahingon.

Tarkasta ennen jokaista käyttöä koko tuote vaurioituneiden, puuttuvien tai irrallisten osien varalta, joita ovat esim. ruuvit, mutterit, pultit ja suojuukset. Kiristä tiukasti kaikki kiinnittimet ja suojuukset äläkä käytä tuotetta ennen kuin kaikki puuttuvat tai vaurioituneet osat on korvattu.

KÄYTTÖTARKOITUS

Voit käyttää tätä tuotetta alla mainittuihin käyttötarkoituksiin:

- Kovien pintojen, kuten ajoteiden ja kävelyteiden, siistiminen
- Terassien ja ajoteiden pitäminen puhtaina lehdistä ja männynneulasista.

HUOMAA: Laitetta tulee käyttää vain sille tarkoitettuun tarkoitukseen. Muunlainen käyttö lasketaan väärinkäytöksi.

PUHALTIMEN PUTKEN KOKOAMINEN/POISTAMINEN

- **Kokoaminen (kuva B)**
Aseta ura oikeaan kohtaan ja työnnä putkea puhaltimen kuoreen, kunnes kuulet naksahduksen.
- **Poistaminen (kuva C)**
Paina putken vapautuspainiketta ja vedä putki ulos.

AKUN ASENNUS/POISTAMINEN (kuva D)

Lataa ennen ensimmäistä käyttökertaa.

- **Asennus**
Aseta akun urat kiinnitysaukkoihin ja paina akkua alaspäin, kunnes kuulet naksahduksen.
- **Poistaminen**
Paina akun vapautuspainiketta ja vedä akku ulos.

VAROITUS: Huomioi aina, missä omat jalkasi, lapset tai lemmikit ovat, kun painat akun vapautuspainiketta. Jos akku putoaa, se voi aiheuttaa vakavan vamman. Älä IKINÄ poista akkua, jos se on korkealla.

PUHALTIMEN KÄYNNISTYS/SAMMUTUS (kuva E)

- **Käynnistys**
Pidä kytkintä pohjassa. Pienen viiveen jälkeen puhallin käynnistyy.
- **Sammutus**
Vapauta kytkin.

PUHALLUSTEHON SÄÄTÄMINEN

- **Puhallustehon lisääminen/vähentäminen**
Käännä puhallustehon säädintä myötäpäivään/vastapäivään.

FI

■ Puhallustehon tehostus

Paina tehostuspainiketta, niin saavutat puhallustehon maksimitason.

HUOMAA: Kun tehostuspainiketta ei enää paineta, puhallin jatkaa aiemmalla teholla.

PUHALTIMEN KÄYTTÖ

- Jotta et sirottele lehtiä ja muita roskia ympäriinsä, puhalla lehtikasan ulkoreunan ympäriltä. Älä koskaan puhalla suoraan kasan keskiosaan.
- Pienennä melutasoja rajoittamalla samaan aikaan käytettävien varusteiden määrää.
- Käytä haravia ja harjoja lehtien ja muiden roskien irrottamiseen ennen puhallusta. Kostuta pölyisissä olosuhteissa hieman pintoja, kun vettä on käytettävissä.
- Säästä vettä käyttämällä sähkökäyttöisiä lehtipuhaltimia letkujen sijaan monissa nurmi- ja puutarhalaitteissa sekä alueilla, kuten kourut, suojat, sisäpihat, ristikot, verannat ja puutarhat.
- Varo lapsia, lemmikkieläimiä, avoimia ikkunoita tai äskettäin pestyjä autoja ja puhalla lehdet ja muut roskat turvallisesti pois.
- Siivoa puhaltimien tai muiden välineiden käytön jälkeen! Hävitä lehdet ja muut roskat asianmukaisesti.

FI

HUOLTO

VAROITUS: Käytä huollon yhteydessä vain valmistajan hyväksymiä varaosia. Muiden osien käyttö voi aiheuttaa vaaran tai vahingoittaa tuotetta. Valtuutetun huoltoteknikon tulee suorittaa kaikki korjaukset, jotta voidaan taata tuotteen turvallinen ja luotettava käyttö.

VAROITUS: Irrota vakavien henkilövahinkojen välttämiseksi akkuyksikkö aina tuotteesta, kun puhdistat sitä tai suoritat siihen jonkin huoltotoimenpiteen.

PERUSHUOLTO

Vältä liuottimien käyttöä, kun puhdistat muoviosia. Useimmat muoviosat ovat herkkiä erilaisten kaupallisten liuottimien vaikutukselle, ja niiden käyttö voi aiheuttaa muoviosiin vaurioita. Käytä puhtaita liinoja esim. lian, pölyn, öljyn ja rasvan poistamiseen.

VAROITUS: Älä milloinkaan päästä esim. jarrunesteitä, bensiiniä, petrolipohjaisia tuotteita tai ruosteenirrotusöljyjä kosketuksiin muoviosien kanssa. Kemikaalit voivat vahingoittaa, heikentää tai tuhota muovia, mistä voi olla seurauksena vakava henkilövahinko.

VARASTOINTI

- Puhdista kaikki epäpuhtaudet puhaltimen ilmanottoaukoista.
- Säilytä sisätiloissa paikassa, johon lapset eivät pääse. Pidä syövyttävien aineiden, kuten puutarhakemikaalien ja tiesuolan, ulottumattomissa.

Ympäristönsuojelu



Älä hävitä sähkölaitteita, akun latauslaitteita ja akkuja/ladattavia akkuja kotitalousjätteen mukana!

Euroopan parlamentin ja neuvoston direktiivin 2012/19/EU mukaan sähkö- ja elektroniikkalaitteet, jotka eivät ole enää käyttökelpoisia, ja Euroopan parlamentin ja neuvoston direktiivin 2006/66/EY mukaan vialliset tai käytetyt akkuyksiköt/akut täytyy kerätä erikseen ja hävittää ympäristöystävällisellä tavalla.

Jos sähkölaitteet hävitetään viemällä kaatopaikoille tai roskaläjiin, vaarallisia aineita voi vuotaa pohjaveteen ja päästä ravintoketjuun ja vahingoittaa täten ihmisten terveyttä ja hyvinvointia.

EY-VAATIMUSTENMUKAISUUS-VAKUUTUS CE

Me, CHERVON EUROPE LTD.

47 CASTLE STREET, READING, RG1 7SR, UNITED KINGDOM

Vakuutamme, että tuote **56 V:n litiumioniakulla toimiva johdoton lehtipuhallin LB5300E** noudattaa seuraavien direktiivien keskeisiä terveys- ja turvallisuusvaatimuksia:

2006/42/EC, 2004/108/EC, 2011/65/EU, 2000/14/EC

Standardit ja tekniset erittelyt, joihin viitataan:

EN60335-1, EN50636-2-100, EN62233, EN55014-1, EN55014-2

Mitattu äänen tehotaso: 97 dB(A).

Taattu äänen tehotaso: 100 dB(A).

Peter Melrose
Chevron Europan varapuheenjohtaja

Dong Jianxun
Chevronin laatumanageri

* (Auktorisoitu CHERVONin edustaja ja vastuussa teknisistä asiakirjoista)

01/01/2016

VIANETSINTÄ

ONGELMA	SYY	RATKAISU
Puhallin ei toimi.	<ul style="list-style-type: none">■ Akkuyksikköä ei ole asetettu puhaltimeen.■ Ei sähkökontaktia puhaltimen ja akun välillä Akkuyksikkö on tyhjä.■ Akkuyksikkö tai puhallin on liian kuuma.■ Kytintä käytetään liian usein lyhyessä ajassa. PCB-suojaus.	<ul style="list-style-type: none">■ Aseta akkuyksikkö puhaltimeen■ Irrota akku, tarkasta koskettimet ja asenna akkuyksikkö takaisin.■ Lataa akkuyksikkö.■ Jäähdytä akkuyksikköä ja puhallinta, kunnes lämpötila laskee alle 67 °C:een
Ilman virtausnopeus pienenee selkeästi.	<ul style="list-style-type: none">■ Moottorin tuuletin kuluu liikaa.■ Lehdet ja muut roskat tukkivat ilmanottoaukon.	<ul style="list-style-type: none">■ Ota yhteyttä EGO- huoltopisteeseen korjausta varten■ Irrota akkuyksikkö, puhdista lehdet ja muut roskat.

TAKUU

EGO-TAKUUKÄYTÄNTÖ

Katso verkkosivuilta osoitteesta egopowerplus.com EGO-takuukäytännön ehdot ja edellytykset kokonaisuudessaan.

LES ALLE INSTRUKSJONER!



LES OG FORSTÅ INSTRUKSJONSBOKEN

MERK: Disse instruksjonene skal også være tilgjengelige i et alternativt format, for eksempel på en nettside.

⚠ Restrisiko! Personer med elektroniske enheter, for eksempel pacemakere, må rådføre seg med lege før de bruker dette produktet. Drift av elektrisk utstyr i umiddelbar nærhet av en pacemaker kan føre til at pacemakeren forstyrres eller svikter.

⚠ ADVARSEL: For sikre både sikkerheten og påliteligheten, skal alle reparasjoner utføres av en kvalifisert servicetekniker.

SIKKERHETSSYMBOLER

Formålet med sikkerhetssymbolene er å trekke oppmerksomheten din mot mulige faresituasjoner. Sikkerhetssymbolene og forklaringene krever din fulle oppmerksomhet og forståelse. Symbolvarslene eliminerer ikke farer på egen hånd. Instruksjonene og advarslene som finnes i dem er ikke erstatninger for passende ulykkesforebyggende tiltak.

⚠ ADVARSEL: Sørg for å lese og forstå alle sikkerhetsanvisningene i denne bruksanvisningen, inkludert alle sikkerhetsvarselssymboler så som «FARE», «ADVARSEL» og «FORSIKTIG» før du bruker dette verktøyet. Hvis du ikke følger alle instruksjonene nedenfor, kan det føre til elektriske støt, brann og/eller alvorlig personskade.

NO

SKADEFOREBYGGING OG INFORMASJONSMELDINGER

Disse forteller brukeren om viktig informasjon og/eller instruksjoner som kan føre til at utstyr tar skade, eller andre materielle skader hvis de ikke følges. Hver melding har ordet «MELDING» i forkant, som i eksempelet nedenfor:

MERK: Utstyr og/eller materielle skader kan oppstå hvis disse instruksjonene ikke følges.



⚠ ADVARSEL: Bruk av hvilke som helst elektroverktøy kan føre til at fremmedlegemer blir kastet mot øynene, og dette kan føre til alvorlig øyeskader. Før du begynner å bruke elektroverktøyet, skal du alltid bruke vernebriller eller vernebriller med sidebeskyttelse, og en full ansiktsskjerm der det trengs. Vi anbefaler en Wide Vision Safety Mask til bruk over briller, eller standard vernebriller med sidebeskyttelse.

SIKKERHETSINSTRUKSJONER

Denne siden viser og beskriver sikkerhetssymboler som finnes på produktet. Les, forstå og følg alle instruksjoner på maskinen før begynner montering og bruk.

	Sikkerhetsvarsel	Forsiktighetsregler som har med sikkerheten din å gjøre.
	Bruk vernebriller	Bruk alltid vernebriller eller vernebriller med sidebeskyttelse, og full ansiktsskjerm når du bruker dette produktet.
	Bruk hørselvern	Hørselsvern er påbudt når produktet brukes.
	Les brukermanualen.	For å redusere risikoen for skader, må brukeren lese og forstå bruksanvisningen før produktet brukes.
	Hold tilskuere borte.	Hold alle tilskuere minst 15m unna.
	Klasse II konstruksjon	Dobbeltisolert konstruksjon.
	Ikke utsett for fukt	Skal ikke brukes i regn eller legges igjen utendørs mens det regner.
V	Volt	Spenning
A	Ampere	Strøm
Hz	Hertz	Frekvens (sykluser per sekund)
W	Watt	Effekt
min	Minutter	Klokkeslett

m ³ /h	Kubikmeter i timen	Luftvolum
km/h	Kilometer i timen	Lufthastighet
	Vekselstrøm	Typen spenning
	Likestrøm	Type eller karakteristikk for spenningen
n ₀	Hastighet uten last	Rotasjonshastighet, uten last
... /min	Pr. minutt	Omdreining pr. minutt

Når du bruker elektriske apparater, skal du alltid følge grunnleggende sikkerhetsregler, inkludert følgende:

GENERELLE SIKKERHETSADVARSLER FOR ELEKTROVERKTØY

⚠ ADVARSEL: Les alle sikkerhetsadvarsler og instruksjoner. Hvis advarsler og instruksjoner ikke følges, kan det føre til elektriske støt, brann og/eller alvorlige personskader.

Ta vare på alle advarsler og instruksjoner for fremtidig bruk.

Betegnelsen "elektroverktøy" i advarslene refererer til hovednettdrevne (med ledning) elektroverktøy eller batteridrevne (trådløs) elektroverktøy.

SIKKERHET I ARBEIDSMRÅDET

- **Hold arbeidsområdet rent og godt opplyst.** Rotete eller mørke områder inviterer til ulykker.
- **Ikke bruk maskinen i eksplosjonsfarlige atmosfærer, for eksempel der det finnes brennbare væsker, bensin eller støv i nærheten.** Elektroverktøy lager gnister som kan antenne støv eller damper.
- **Hold barn og andre personer unna når elektroverktøyet er i bruk.** Distraksjoner kan føre til at du mister kontrollen.

ELEKTRISK SIKKERHET

- **Støpselet til verktøyet må passe inn i stikkontakten. Støpselet må ikke forandres på noen måte. Ikke bruk adapterstøpsler sammen med jordede elektroverktøy.** Umodifiserte støpsler og passende stikkontakter reduserer risikoen for elektrisk støt.
- **Unngå kroppskontakt med jordete overflater så som rør, radiatorer, komfyrer og kjøleskap.** Det er økt risiko for elektrisk støt hvis kroppen din er jordet.

- **Ikke utsett elektroverktøy for regn eller våte forhold.** Kommer det vann inn i et elektroverktøy, øker risikoen for elektriske støt.
- **Ikke misbruk ledningen. Bruk aldri ledningen til å bære, trekke eller trekke ut elektroverktøyet. Hold ledningen unna varme, olje, skarpe kanter eller bevegelige deler.** Skadede eller sammenviklede ledninger øker risikoen for elektriske støt.
- **Når du bruker et elektroverktøy utendørs, må du bruke skjoteledning som er godkjent for utendørs bruk.** Bruk av en ledning som er egnet for utendørs bruk, reduserer risikoen for elektriske støt.
- **Hvis du er nødt til å bruke et elektroverktøy i fuktige omgivelser, skal du bruke en jordfeilbryter-beskyttet strømforsyning.** Bruk av GFCI reduserer risikoen for elektrisk støt.

PERSONLIG SIKKERHET

- **Vær oppmerksom, pass på hva du gjør og bruk sunn fornuft når du bruker elektroverktøy. Ikke bruk elektroverktøy når du er trøtt eller er påvirket av narkotika, alkohol eller medikamenter.** Et øyeblikks uoppmerksomhet ved bruk av elektroverktøy kan føre til alvorlige personskader.
- **Bruk personlig verneutstyr. Bruk alltid vernebriller.** Verneutstyr som støvmasker, sklisikre vernesko, hjelm eller hørselsvern i egnede forhold reduserer risikoen for personskader.
- **Unngå utilsiktet start. Pass på at bryteren er i av-stilling før du kobler til strømkilden og/eller batteripakken, plukker opp eller bærer verktøyet.** Å bære elektroverktøy med fingeren på bryteren eller å slå på verktøy som har bryteren på er å invitere til ulykker.
- **Fjern eventuelle justeringsnøkler før du slår på elektroverktøyet.** Et verktøy eller en nøkkel som sitter igjen i en roterende del av elektroverktøyet kan føre til personskade.
- **Ikke strekk deg over. Pass på å ha skikkelig fotfeste og balanse til enhver tid.** Dette muliggjør bedre kontroll over elektroverktøyet i uventede situasjoner.
- **Kle deg riktig. Ikke bruk løstsittende klær eller smykker. Hold hår, klær og hansker unna bevegelige deler.** Løse klær, smykker eller langt hår kan sette seg fast i bevegelige deler.
- **Hvis det følger med utstyr for tilkopling av støvavsug og oppsamlingsutstyr, skal disse koples til og brukes riktig.** Bruk av støvenheter kan redusere støvrelaterte farer.

NO

BRUK AV OG OMSORG FOR ELEKTROVERKTØY

- **Ikke tving elektroverktøyet. Bruk det riktige elektroverktøyet til det du skal gjøre.** Det riktige elektroverktøyet vil gjøre jobben bedre og sikrere, i den hastigheten som det ble laget for.
- **Ikke bruk elektroverktøyet hvis bryter ikke slår det på og av.** Elektroverktøy som ikke kan kontrolleres med bryteren, er farlig og må repareres.
- **Koble støpselet fra strømkilden og/eller ta batteripakken ut av verktøyet før du foretar justeringer, skifter tilbehørsdeler eller legger bort maskinen.** Slike forebyggende sikkerhetstiltak reduserer risikoen for at verktøyet starter ved et uhell.
- **Oppbevar elektroverktøy utilgjengelig for barn, og ikke la personer som ikke er kjent med verktøyet eller disse instruksjonene betjene maskinen.** Elektroverktøy er farlige når de brukes av uerfarne personer.
- **Vedlikehold av elektroverktøy. Se etter feiljusteringer eller oppbinding av bevegelige deler, skadede deler og eventuelle andre forhold som kan påvirke elektroverktøyets funksjon. Hvis skadet, må elektroverktøyet repareres før bruk.** Mange ulykker er forårsaket av dårlig vedlikeholdte elektroverktøy.
- **Hold kutteverktøyet skarpt og rent.** Riktig vedlikehold av kutteverktøy med skarpe kanter gjør at det er mindre sannsynlighet for oppbinding, og at det er lettere å kontrollere.
- **Bruk elektroverktøy, tilbehør, verktøy, osv. i henhold til disse anvisningene, og ta hensyn til arbeidsforholdene og arbeidet som skal utføres.** Bruk av elektroverktøy til andre formål enn det som er angitt kan føre til farlige situasjoner.

BRUK AV OG OMSORG FOR BATTERIVERKTØY

- **Lades bare med ladere som er spesifisert av produsenten.** En lader som passer for én type batteripakke kan skape fare for brann når den brukes med andre batteripakker.
- **Elektroverktøyet skal bare brukes med den spesifiserte batteripakken.** Bruk av andre batteripakker kan skape risiko for skader og brann.
- **Når batteriet ikke er i bruk, skal det holdes unna andre metallgjenstander så som binders, mynter, nøkler, spikere, skruer eller andre små metallgjenstander som kan lage forbindelse fra én terminal til en annen.** Kortslutning av batteripolene kan forårsake brannskader eller brann.

- **Under skadelige forhold, kan væske kastes ut fra batteriet. Unngå kontakt. Hvis kontakt oppstår ved uhell, skyl med vann. Hvis man får væske i øynene, skal det i tillegg søkes medisinsk hjelp.** Væske som blir kastet ut av batteriet kan forårsake irritasjon eller brannskader.

SERVICE

- **Få elektroverktøyet reparert av et kvalifisert serviceverksted, som kun bruker identiske reservedeler.** Dette gjør at sikkerheten til elektroverktøyet opprettholdes.

LES ALLE ANVISNINGENE FØR DU TAR APPARATET I BRUK!**TRENING**

- **Les instruksene nøye.** Vær fortrolig med betjeningsinstrumentene og riktig bruk av produktet.
- **La aldri barn, personer med reduserte fysiske, sensoriske eller mentale evner eller mangel på erfaring og kunnskap, eller personer som ikke er kjent med disse instruksjonene, bruke elektroverktøyet.**
- **La aldri folk som ikke er kjent med disse instruksjonene bruke produktet.** Lokale bestemmelser kan stille krav til alderen på operatøren.
- **Bruk aldri produktet mens folk, spesielt barn, eller kjæledyr, er i nærheten.**
- **Operatøren er ansvarlig for skade som skjer andre folk eller annens eiendom.**

FORBEREDELSE

- **Under bruk av produktet skal det alltid brukes solid fottøy og lange bukser.**
- **Ikke bruk løstsittende klær eller smykker som kan trekkes inn i luftinntaket.** Hold langt hår vekk fra luftinntakene.
- **Ha på vernebriller under bruk.**
- **For å hindre støv irritasjon, anbefales det bruk av ansiktsmaske.**
- **Før bruk skal batteriene eller batteripakken sjekkes for skader.** Ikke bruk produktet hvis batteriene eller batteripakken er skadet.
- **Bruk aldri apparatet med defekte vern eller skjold, eller uten sikkerhetsutstyr, for eksempel ruskoppsamler satt på plass.**

DRIFT

■ Koble fra batterier eller batteripakker:

1. Når du forlater maskinen;
2. Før du fjerner en blokkering;
3. Før du kontrollerer, rengjør eller arbeider på produktet;
4. Hvis apparatet begynner å vibrere unormalt.

■ Betjene apparatet kun i dagslys eller i godt kunstig lys.

■ Ikke strekk deg over, og hold balansen til enhver tid.

■ Vær alltid sikker på at du har fotfeste i bakker.

■ Gå, løp aldri.

■ Hold alle kjøleluftinntakene fri for rusk.

■ Aldri blåse rusk mot tilskuere.

■ Det anbefales at maskinen bare brukes ved tider på døgnet – ikke tidlig på morgenen eller sent på kvelden når folk kan bli forstyrret.

■ Det anbefales å bruke raker og feiekoster for å løse rusk før du blåser det.

■ Det anbefales at støvete overflater vætes lett, eller at vanntåketilbehøret brukes.

⚠ **ADVARSEL:** Fare for roterende deler!

■ Bruke det fulle blåsemunnstykke-tilbehøret, slik at luftstrømmen kan arbeide nær bakken.

■ Ikke bruk maskinen i nærheten av åpne vinduer, osv.

VEDLIKEHOLD OG LAGRING

■ Hold alle mutrer, bolter og skruer stramme for å sikre at produktet er i sikker brukstilstand.

■ Sjekk rusksamleren ofte for slitasje eller skade.

■ Skift ut slitte eller ødelagte deler.

■ Bruk bare originale reservedeler og tilbehør

■ Apparatet skal bare oppbevares på et tørt sted.

⚠ **ADVARSEL:** For sikre både sikkerheten og påliteligheten, skal alle reparasjoner utføres av en kvalifisert servicetekniker.

⚠ **ADVARSEL:** For å redusere risikoen for brann, elektrisk støt, eller skade:

**VIKTIG
LES NØYE FØR BRUK.
BEHOLD FOR SENERE BRUK.**

■ Kjenn løvblåseren din. Les brukerveiledningen nøye. Lær deg bruken av og begrensningene til blåseren, samt de spesifikke potensielle farene som er knyttet til den. Hvis man følger denne regelen, vil det redusere faren for elektrisk støt, brann eller alvorlig skade.

■ Ikke utsett blåseren for regn eller våte forhold. Vann som kommer inn i en blåser vil øke risikoen for elektriske støt.

■ Ikke la blåseren brukes som et leketøy. Vær ekstra oppmerksom når den brukes av eller i nærheten av barn.

■ Bruk kun som beskrevet i denne bruksanvisningen. Bruk bare produsentens anbefalte tilbehør.

■ Hvis blåseren ikke fungerer som den skal, har falt ned, er skadet, har blitt etterlatt utendørs eller har falt i vann, skal den sendes inn til et servicesenter.

■ Ikke ta i laderen, inkludert laderstøpset eller laderterminaler, med våte hender.

■ Ikke putt gjenstander inn i noen åpninger. Ikke bruk hvis åpninger er blokkert – hold åpninger frie for støv, lo, hår og annet som kan redusere luftstrømmen.

■ Hold hår, løstsittende klær, fingre og alle kroppsdelene unna åpninger og bevegelige deler. Løstsittende klær, smykker eller langt hår kan trekkes inn i ventilasjonsåpningene.

■ Sikre langt hår over skuldernivå for å hindre at det vikles inn i bevegelige deler.

■ Vær ekstra forsiktig ved rengjøring på trapper.

■ Ikke lad batteripakken utendørs.

■ Bruk kun laderen som følger med fra produsenten for å lade opp.

■ Ikke la blåseren være uten tilsyn når batteriet er satt inn. Ta ut batteriet når blåseren ikke er i bruk, og før vedlikehold.

■ I bruk løvblåsere i eksplosive miljøer, for eksempel i nærheten av antenner, væsker, gasser eller støv. Løvblåsere lager gnister som kan antenne støv eller damper.

■ Bruk den batteridrevne blåseren kun med den spesifiserte batteripakken. Bruk av andre batterier kan medføre risiko for brann.

■ Skal bare brukes med batteripakkene og laderne som er oppført nedenfor.

BATTERIPAKKE	LADER
BA1120E, BA2240E, BA2800, BA3360, BA4200	CH5500E, CH2100E

NO

ADVARSEL:

- Batteripakken må fjernes fra apparatet før det kasseres.
- Batteriet skal avhendes på en sikker måte.

- **Vær oppmerksom, pass på hva du gjør og bruk sunn fornuft når du bruker elektrisk blåser.** Ikke bruk blåseren mens du er sliten, lei, eller under påvirkning av narkotika, alkohol eller medikamenter. Et øyeblikks uoppmerksomhet ved bruk av blåseren kan føre til alvorlige personskader.
- **Unngå utilsiktet start. Pass på at bryteren er i låst stilling eller av-posisjon før du setter inn batteripakken.** Å bære blåseren med fingeren på bryteren eller å sette inn batteripakken i blåseren som har bryteren på er å invitere til ulykker.
- **Bruk sikkerhetsutstyr. Bruk alltid vernebriller.** Støvmaske, skliskikre vernesko, hjelm eller hørselsvern må brukes i egnede forhold.
- **Skal ikke brukes på stige, tak, i trær eller en andre ustabile steder.** Stabilitet fotteste på et fast underlag muliggjør bedre styring av blåseren i uventede situasjoner.
- Ta alltid vare på føttene dine, barn eller kjæledyr rundt deg når du tar ut batteriet fra blåseren. **Alvorlig personskade kan oppstå hvis batteripakken faller ned. ALDRI ta ut batteriet på et høyt sted.**
- **Ikke bruk blåseren hvis bryteren ikke slår den av eller på.** Blåseren som ikke kan kontrolleres med bryteren, er farlige og må repareres.
- **Koble batteripakken fra blåseren før du gjør justeringer, skifter tilbehør eller lagrer den.** Slike forebyggende sikkerhetstiltak reduserer risikoen for å starte blåseren ved et uhell.
- **Slå av alle kontroller før du tar ut batteriet.**
- **IKKE** forsøk å fjerne blokkeringer fra enheten uten først å fjerne batteriet.
- **Se etter feiljusteringer eller oppbinding av bevegelige deler, skadede deler og eventuelle andre forhold som kan påvirke funksjonen til verktøyet.** Hvis den er skadet, må viften få service før bruk. Mange ulykker er forårsaket av dårlig vedlikeholdte blåserer.
- **Hold blåseren og håndtak tørre, rene og frie for olje og fett.** Bruk alltid en ren klut til rengjøringen. Bruk aldri bremsevæske, bensin, petroleum-baserte produkter, eller noen sterke løsemidler til å rengjøre blåseren din. Hvis man følger denne regelen, vil det redusere faren for å miste kontrollen, og nedbryting av plastdeler i huset.

NO

- **Bruk alltid vernebriller med sidebeskyttelse.** Hverdagsbriller har bare slagmotstandige glass. De er IKKE vernebriller. Å følge denne regelen vil redusere risikoen for øyeskader.
- **Beskytt lungene dine. Bruk ansikts- eller støvmaske hvis arbeidet er støvete.** Hvis man følger denne regelen, vil det redusere faren for alvorlig personskade.
- **Beskytt hørselen din. Bruk hørselsvern under lengre bruksperioder.** Hvis man følger denne regelen, vil det redusere faren for alvorlig personskade.
- **Batteridrevne blåserer trenger ikke å være koblet til et strømuttak; derfor er de alltid klare til bruk.** Vær oppmerksom på mulige farer når du ikke bruker den batteridrevne blåseren din, eller når du bytter tilbehør. Hvis man følger denne regelen, vil det redusere faren for elektrisk støt, brann eller alvorlig personskade.
- **Bruk tunge, lange bukser, lange ermer, støvler og hansker.** Unngå løse plagg eller smykker som kan sette seg fast i bevegelige deler i maskinen eller motoren.
- **Ikke bruk utstyret barfot eller iført sandaler, eller lignende lett føttøy.** Bruk vernesko som beskytter føttene og gir bedre fotteste på glatte underlag.
- **Batterier kan eksplodere hvis de er nær tennkilder, for eksempel en pilotflamme.** For å redusere risikoen for alvorlig personskade, skal trådløse produkter ikke brukes i nærheten av åpen flamme. Et eksplodert batteri kan kaste ut rester og kjemikalier. Hvis man blir eksponert for dette, skylk straks med vann.
- **Stå støtt og hold balansen. Ikke strekk deg over.** Hvis man strekker seg for langt, kan man miste balansen.
- **Kontroller arbeidsområdet før hver bruk.** Fjern alle gjenstander så som steiner, knust glass, spiker, ståltråd, eller streng som kan kastes ut av eller bli viklet inn i maskinen.
- **Ikke rett blåserøret i retning av mennesker eller dyr.**
- **Bruk aldri enheten uten riktig utstyr påmontert.** Pass alltid på at blåserøret er installert.
- **Når den ikke er i bruk, skal blåseren lagres innendørs på et tørt, sikkert sted som er utilgjengelig for barn.**
- **Hold alle tilskuere, barn og kjæledyr minst 15m unna.**
- **Service på blåseren må utføres av kvalifisert servicepersonell.** Service og vedlikehold som utføres av ukvalifiserte kan føre til fare for skader.

- **Ved service på blåsere, skal det bare brukes originale reservedeler.** Følg instruksjonene om vedlikehold som finnes i denne håndboken. Bruk av uautoriserte deler eller unnlatelse av å følge vedlikeholdsinstruksjonene kan skape fare for støt eller skade.
- **Bruk aldri viften nær flammer eller varm aske.** Bruk i nærheten flammer eller aske kan spre branner og føre til alvorlig personskade og/eller skade på eiendom.
- **Bruk aldri blåsere for å spre kjemikalier, gjødsel eller andre giftige stoffer.** Spredning av slike stoffer kan føre til alvorlig skade på brukeren eller tilskuere.
- **Plasser aldri blåseren på noe annet underlag enn harde, rene overflater når motoren er i gang.** Grus, sand og annet rusk kan plukkes opp av luftinntaket og kastes ut på operatøren eller tilskuere, og forårsake mulige alvorlige skader.
- **Ta vare på disse instruksjonene.** Referer til dem ofte, og bruk dem til å instruere andre som kan komme til å bruke verktøyet. Hvis du låner ut verktøyet til noen andre, må de også få låne disse instruksjonene, for å hindre feilbruk av produktet og mulige skader.

TA VARE PÅ DISSE INSTRUKSJONENE!

SPESIFIKASJONER

Spenning	56V
Hastighet uten last	Boost: 23000 /min
	Høy: 18000 /min
	Lav: 10000 /min
Luftvolum	Boost: 900 m ³ /t
	Høy: 675 m ³ /t
	Lav: 440 m ³ /t
Lufthastighet	Boost: 176 km/t
	Høy: 136 km/t
	Lav: 80 km/t
Omtrentlig driftstid (med EGO 2,5 Ah batteri)	10 min. (Boost)
	23 min. (Høy hastighet)
	75 min. (Lav hastighet)
Løvblåserens vekt (uten batteripakke)	2,18 kg
Målt lydeffektnivå L _{WA}	97 dB(A) K _{WA} =2,5 dB(A)

Lydtrykknivå ved brukerens øre L _{PA}	81,8 dB(A) K _{PA} =2,5 dB(A)
Garantert lydeffektnivå L _{WA} (målt i henhold til 2000/14/EC)	100 dB(A)
Vibrasjon a _h	1,351 m/s ² K=1,5 m/s ²

- Den deklarete totale vibrasjonsverdien er målt i overensstemmelse med en standard testmetode, og kan brukes til å sammenligne ett verktøy med et annet;
- Den deklarete totale vibrasjonsverdien kan også brukes i en foreløpig vurdering av eksponering.

MERK: Vibrasjoner under faktisk bruk av elektroverktøyet kan variere fra den opplyste verdien der verktøyet brukes; For å beskytte brukeren, skal det brukes hansker og hørselsvern under de faktiske bruksforholdene.

PAKKELISTE

NAVN PÅ DEL	MENGDE
Blåser	1
Blåserør	1
Flatt munnstykke til blåseren	1
Bruksanvisning	1

BESKRIVELSE

KJENN LØVBLÅSEREN DIN (Fig. A)

1. Batteriutløsningsknapp
2. Overstøpt håndtak
3. Utløser
4. Boost-knapp
5. Justeringsknott for lufthastighet
6. Rørtløsningsknapp
7. Blåserør
8. Luftutløp
9. Luftinntak
10. Utkastingsmekanisme
11. Festespor
12. Elektriske kontakter
13. Lås
14. Skulderstroppfeste

NO

⚠ ADVARSEL: Sikker bruk av dette produktet krever at man forstår informasjonen på verktøyet og i denne bruksanvisningen, samt at man har kjennskap til prosjektet du prøver deg på. Før bruk av dette produktet, må man gjøre seg kjent med alle driftsfunksjonene og sikkerhetsreglene.

DRIFT

⚠ ADVARSEL: Ikke la fortrolighet med dette produktet gjøre deg uforsiktig. Husk at et uforsiktig tiendedel av et sekund er nok til å forårsake alvorlige skader.

⚠ ADVARSEL: Ikke forsøk å modifisere dette produktet eller lage tilbehør som ikke er anbefalt for bruk med denne blåseren. Enhver slik endring eller modifisering er misbruk, og kan føre til farlige situasjoner og mulige alvorlige personskader.

⚠ ADVARSEL: Batteripakken skal alltid fjernes fra produktet når du monterer deler, gjør justeringer, rengjør, eller når det ikke er i bruk. Fjerning av batteripakken vil hindre utilsiktet start, som igjen kan føre til alvorlig personskade.

Før hver bruk skal hele produktet for inspiseres for skader, mangler eller løse deler, for eksempel skruer, muttere, bolter, heter, osv. Trekk til alle festene og hettene godt, og ikke bruk dette produktet før alle manglende eller skadede deler har blitt byttet.

NO

APPLIKASJON

Du kan bruke dette produktet til de formålene som er oppført nedenfor:

- Blåsing av harde overflater så som oppkjørsler og gangveier.
- Holde terrasser og innkjørsler frie for løv og barnåler.

MERK: Verktøyet skal bare brukes til det foreskrevne formålet sitt. All annen bruk anses å være misbruk.

MONTERING/FJERNING AV BLÅSERØR

▪ Montering (fig. B)

Juster sporet og skyv røret på blåserhuset til du hører et «klikk».

▪ Fjerning (Fig. C)

Trykke på rørtløserknappen, og dra ut røret.

INSTALLERE / FJERNE BATTERIPAKKEN (Fig. D)

Lad opp før første gangs bruk.

▪ Installerings

Juster batteririllene sammen med monteringssporene, og trykk batteripakken ned til du hører et «klikk».

▪ Fjerning

Trykk ned batteriutløserknappen, og trekk batteripakken ut.

⚠ ADVARSEL: Legg alltid merke til hvor føttene dine er, og hvor barn eller kjæledyr er når du trykker på batteriutløserknappen. Alvorlig personskade kan oppstå hvis batteripakken faller ned. ALDRI ta ut batteriet på et høyt sted.

START/STOPP AV BLÅSEREN (fig. E)

▪ For å starte

Trykke på utløseren og hold den inne. Etter en kort forsinkelse, begynner blåseren å kjøre.

▪ For å stoppe

Slipp utløseren.

JUSTERING AV LUFTHASTIGHETEN

▪ Øke / redusere lufthastigheten

Vri justeringsknappen for lufthastighet med klokken/ mot klokken.

▪ For å forbedre lufthastigheten

Trykk på boost-knappen for å oppnå maksimal lufthastighet.

MERK: Når boost-knappen slippes, vil blåseren fortsette den forrige hastigheten.

BRUK AV BLÅSEREN

- For å unngå å spre rusk utover, blåser du rundt ytterkantene av ruskhauger. Aldri blås direkte inn i midten av en haug.
- For å redusere lydnivået, må antallet utstyr som brukes til enhver tid begrenses.
- Bruk raker og feiekoster for å løsne rusk før du blåser. I støvete omgivelser skal overflater fuktes lett hvis det er vann tilgjengelig.
- Spar vann ved å bruke elektroblåser i stedet for hageslanger i mange plen- og hageapplikasjoner, inkludert områder som takrenner, skjærmer, uteplasser, griller, verandaer og hager.
- Se opp for barn, dyr, åpne vinduer eller nyvaskede biler, og blås rusk unna i en trygg retning.
- Etter å ha brukt blåser eller annet utstyr, må du rydde opp! Avhend avfall på riktig måte.



VEDLIKEHOLD

⚠ ADVARSEL: Ved service skal det bare brukes originale reservedeler. Bruk av andre deler kan forårsake farer eller skader på produktet. For sikre både sikkerheten og påliteligheten, skal alle reparasjoner utføres av en kvalifisert servicetekniker.

⚠ ADVARSEL: For å unngå alvorlige personskader, skal batteripakken alltid tas ut fra produktet når du rengjør eller utfører vedlikehold.

GENERELT VEDLIKEHOLD

Unngå å bruke løsemidler når plastdeler skal rengjøres. De fleste plasttyper er utsatt for skader fra ulike typer kommersielle løsemidler, og kan ta skade av bruk av slike. Bruk rene kluter for å fjerne skitt, støv, olje, fett, etc.

⚠ ADVARSEL: Ikke på noe tidspunkt skal bremsevæske, bensin, petroleum-baserte produkter, penetrerende oljer, osv. komme i kontakt med plastdeler. Kjemikalier kan skade, svekke eller ødelegge plastmaterialer, noe som kan føre til alvorlig personskade.

OPPBEVARING

- Fjern alle fremmedlegemer fra luftinntakene til blåseren.
- Lagres innendørs på et sted som er utilgjengelig for barn. Holdes vekk fra etsende midler, for eksempel hagekjemikalier og avisingssalter.

Beskytt miljøet



Elektrisk utstyr, batterilader og batterier/oppladbare batterier skal ikke kastes i husholdningsavfall.

Ifølge EU-forskrift 2012/19/EU, skal elektrisk og elektronisk utstyr som ikke lenger er brukbart, og som i henhold til EU-forskrift 2006/66/EC har defekte eller brukte batteripakker/batterier, samles inn separat og deponeres på en miljøvennlig måte.

Hvis elektrisk apparater kastes på søppelfyllinger, kan farlige stoffer lekke ut i grunnvannet og komme inn i næringskjeden, og forårsake skader på helse og velvære.

EU-SAMSVARERKLÆRING

Vi, CHERVON EUROPE LTD.

47 CASTLE STREET, READING, RG1 7SR, UNITED KINGDOM

Erklærer at produktet **56V lithium-ion batteridrevet blåser LB5300E** er i samsvar med de grunnleggende helse- og sikkerhetskravene i følgende direktiver:

2006/42/EC, 2004/108/EC, 2011/65/EU, 2000/14/EC

Standarder og tekniske spesifikasjoner som det refereres til:

EN60335-1, EN50636-2-100, EN62233, EN55014-1, EN55014-2

Målt lydeffektnivå: 97 dB(A).

Garantert lydeffektnivå: 100 dB(A).

Peter Melrose
Visepresident for Chervon Europe

Dong Jianxun
Kvalitetsdirektør hos Chervon

* (Autorisert representant for CHERVON og ansvarlig for teknisk dokumentasjon)

01/01/2016

NO



FEILSØKING

PROBLEM	ÅRSAK	LØSNING
Blåseren virker ikke.	<ul style="list-style-type: none">▪ Batteripakken er ikke festet til blåseren.▪ Ingen elektrisk kontakt mellom blåseren og batteriet.▪ Batteripakken er tom.▪ Batteripakken eller blåseren er for varme.	<ul style="list-style-type: none">▪ Fest batteriet til blåseren.▪ Fjern batteriet, sjekk kontakter og installer batteripakken.▪ Lad opp batteripakken.▪ Kjøøl ned batteripakken til temperaturen synker under 67 °C.
Lufthastigheten reduseres betydelig.	<ul style="list-style-type: none">▪ Overdreven slitasje på motorviften.▪ Luftinntaket er blokkert av rester.	<ul style="list-style-type: none">▪ Kontakt EGO-servicesenteret for reparasjon.▪ Ta ut batteripakken, og fjern rusket.

GARANTI

EGOs GARANTIREGLER

Besøk nettsiden egopowerplus.com for å se fullstendige vilkår og betingelser for EGO-garantireglene.

NO

ПРОЧИТАЙТЕ ВСЕ ИНСТРУКЦИИ!



ПРОЧИТАЙТЕ И РАЗБЕРИТЕСЬ С РУКОВОДСТВОМ ПОЛЬЗОВАТЕЛЯ

ПРИМЕЧАНИЕ. Данные инструкции должны быть также доступны в альтернативном формате, например на веб-сайте.

⚠️ Остаточные риски! Если вы используете электронные устройства, такие как кардиостимулятор, перед эксплуатацией данного устройства проконсультируйтесь с врачом. Использование электрооборудования в непосредственной близости от кардиостимулятора может привести к образованию помех и повреждению кардиостимулятора.

⚠️ ПРЕДУПРЕЖДЕНИЕ. Чтобы обеспечить безопасность и надежность устройства, его ремонт и замену частей должен выполнять квалифицированный специалист.

СИМВОЛЫ БЕЗОПАСНОСТИ

Символы безопасности предназначены для привлечения внимания к возможным рискам. Символы безопасности, а также объяснения к ним, требуют особого внимания и понимания. Предупреждения по технике безопасности сами по себе не устраняют опасность. Инструкции и предупреждения не заменяют соответствующие меры по предотвращению несчастных случаев.

⚠️ ПРЕДУПРЕЖДЕНИЕ. Перед использованием устройства внимательно прочитайте все инструкции в данном руководстве пользователя и ознакомьтесь с предупреждающими символами безопасности, такими как «ОПАСНОСТЬ», «ПРЕДУПРЕЖДЕНИЕ» и «ВНИМАНИЕ». Несоблюдение всех приведенных ниже инструкций может привести к поражению электрическим током, возникновению пожара и/или получению серьезных травм.

Предотвращение повреждений и информационные сообщения

Данные сообщения предназначены для предоставления пользователю важной информации и/или инструкций, несоблюдение которых может привести к повреждению оборудования и имущества. Каждое сообщение начинается со слова «ПРИМЕЧАНИЕ», как в примере ниже.

ПРИМЕЧАНИЕ. Несоблюдение данных инструкций может привести к повреждению оборудования и/или имущества.



⚠️ ПРЕДУПРЕЖДЕНИЕ. В результате работы электроинструмента в глаза могут попасть посторонние предметы, что приведет к серьезному повреждению глаз. Перед началом использования электроинструмента всегда надевайте защитную маску или защитные очки с боковыми щитками и полнопрофильную защитную маску (при необходимости). Поверх очков или стандартных защитных очков рекомендуется надевать маску Wide Vision Safety.

ИНСТРУКЦИИ ПО ТЕХНИКЕ БЕЗОПАСНОСТИ

Далее приведено изображение и описание символов безопасности, которые могут присутствовать на данном устройстве. Перед сборкой или использованием внимательно прочитайте все инструкции, приведенные на устройстве, и соблюдайте их.

	Предупреждение об опасности	Меры предосторожности, касающиеся безопасности.
	Надевайте защитные очки.	При работе с данным устройством всегда используйте защиту для глаз или защитные очки с боковыми щитками и полнопрофильную защитную маску.
	Используйте средства защиты органов слуха.	При использовании устройства всегда надевайте средства защиты органов слуха.
	Внимательно прочитайте руководство пользователя.	Чтобы уменьшить риск получения травм, перед использованием устройства необходимо прочитать и понять руководство по эксплуатации.
	Не позволяйте посторонним людям находиться поблизости.	Следите за тем, чтобы посторонние лица находились на расстоянии не менее 15м.

RU

	Конструкция класса II	Конструкция с двойной изоляцией.
	Не подвергайте воздействию влаги.	Во время дождя не используйте устройство и не оставляйте его вне помещения.
V	Вольт	Напряжение
A	Амперы	Сила тока
Hz	Герц	Частота (оборотов в секунду)
W	Ватт	Мощность
min	Минуты	Время
m ³ /h	Кубический метр в час	Объем воздуха
km/h	Километров в час	Скорость воздушного потока
	Переменный ток	Тип тока
	Постоянный ток	Тип или характеристика тока
n ₀	Скорость работы без нагрузки	Скорость вращения без нагрузки
.../min	В минуту	Оборотов в минуту

При использовании электрического устройства необходимо строго соблюдать следующие меры безопасности.

RU

ОБЩИЕ ПРЕДУПРЕЖДЕНИЯ ПО БЕЗОПАСНОСТИ ПРИ РАБОТЕ С ЭЛЕКТРОИНСТРУМЕНТАМИ

⚠ ПРЕДУПРЕЖДЕНИЕ. Прочитайте все предупреждения по технике безопасности и инструкции. Несоблюдение этих предупреждений и инструкций может привести к поражению электрическим током, пожару и (или) тяжелым травмам.

Сохраните все предупреждения и инструкции для использования в будущем.

Термин «электроинструмент» в предупреждениях означает электрический инструмент с питанием от сети (с кабелем) или электрический инструмент с питанием от батареи (без кабеля).

БЕЗОПАСНОСТЬ РАБОЧЕГО МЕСТА

- **Обеспечьте чистоту и освещенность рабочего места.** Загроможденные и плохо освещенные места служат причиной несчастных случаев.
- **Не используйте электроинструменты во взрывоопасных местах, например вблизи горючих жидкостей, бензина или пыли.** Электроинструменты генерируют искры, которые могут воспламенить пыль или испарения.
- **Не позволяйте детям и другим людям находиться вблизи работающего электроинструмента.** Отвлекающие факторы могут привести к потере контроля над инструментом.

ЭЛЕКТРОБЕЗОПАСНОСТЬ

- **Вилка электроинструмента должна соответствовать розетке. Никогда не переделывайте вилку. Не используйте никакие переходники для вилок с заземлением.** Использование оригинальных вилок и соответствующих им розеток уменьшает риск поражения электрическим током.
- **Избегайте прикосновений к заземленным объектам, таким как трубы, радиаторы, плиты и холодильники.** Существует повышенная опасность поражения электрическим током, если ваше тело заземлено.
- **Не подвергайте электроинструменты воздействию дождя или влаги.** При попадании воды в электроинструмент увеличивается риск поражения электрическим током.
- **Обращайтесь с кабелем аккуратно. Никогда не переносите, не тяните и не выключайте электроинструмент за кабель. Не оставляйте кабель вблизи источников тепла, масла, острых предметов или движущихся частей.** Поврежденные или запутанные кабели повышают опасность поражения электрическим током.
- **Для работы с электроинструментом вне помещения используйте предназначенный для этого удлинительный кабель.** Использование кабеля, подходящего для использования вне помещения, снижает риск поражения электрическим током.
- **Если использование электроинструмента в сыром помещении неизбежно, подключайте его через выключатель короткого замыкания на землю (ВКЗЗ).** Использование ВКЗЗ уменьшает риск поражения электрическим током.

ЛИЧНАЯ БЕЗОПАСНОСТЬ

- Будьте бдительны, следите за тем, что делаете, и следуйте здравому смыслу при использовании электроинструмента. Не пользуйтесь электроинструментом, если вы устали или находитесь под воздействием наркотиков, алкоголя или медикаментов. Даже кратковременная невнимательность при работе с электроинструментом может привести к тяжелым травмам.
 - Используйте средства индивидуальной защиты. Всегда надевайте защитные средства для глаз. Использование защитных средств, таких как противопылевая маска, нескользкая предохранительная обувь, жесткая каска или средства защиты органов слуха в соответствующих условиях уменьшает риск травмирования.
 - Не допускайте непредвиденных запусков. Перед подключением электроинструмента к сети питания и/или аккумулятору и перед его переноской убедитесь, что выключатель находится в выключенном положении. Переноска электроинструмента с пальцем на выключателе и включение вилки в розетку при включенном электроинструменте — причины несчастных случаев.
 - Перед включением электроинструмента снимите с него регулировочные инструменты и гаечные ключи. Гаечный ключ, оставленный на подвижной детали электроинструмента, может вызвать травмы.
 - Не тянитесь. Во время работы всегда сохраняйте устойчивое положение. Это позволит лучше контролировать электроинструмент в непредвиденных ситуациях.
 - Одевайтесь надлежащим образом. Не надевайте свободную одежду и украшения. Держите волосы, одежду и перчатки подальше от движущихся частей. Свободная одежда, украшения и длинные волосы могут попасть в движущиеся части.
 - При наличии пылеулавливающих устройств убедитесь в том, что они подключены и правильно работают. Использование пылеулавливающих устройств снижает вред, причиняемый пылью.
- Не используйте электроинструмент, если его выключатель неисправен. Электроинструменты с неисправным выключателем опасны и подлежат ремонту.
 - Перед регулировкой, сменой аксессуаров или хранением отключите электроинструмент от сети питания и/или аккумуляторов. Такие меры предосторожности уменьшают риск случайного запуска электроинструмента.
 - Храните неиспользуемые электроинструменты в местах, недоступных для детей, и не доверяйте электроинструмент лицам, не знакомым с ним и с этими инструкциями. Электроинструменты опасны в руках неподготовленных пользователей.
 - Выполняйте техническое обслуживание электроинструментов. Проверьте выравнивание и сцепление подвижных деталей, наличие поломок и прочие условия, которые могут повлиять на работу электроинструмента. В случае повреждения инструмента отремонтируйте его перед использованием. Многие несчастные случаи вызваны неправильным обслуживанием электроинструментов.
 - Храните режущие инструменты в чистоте и заточенном состоянии. Правильно обслуживаемые и хорошо заточенные режущие инструменты меньше заклинивают и лучше контролируются.
 - Используйте электроинструмент, аксессуары, насадки и т. п. в соответствии с этими инструкциями, учитывая условия и специфику выполняемой работы. Использование электроинструмента для выполнения непредусмотренных операций может привести к опасным ситуациям.

ИСПОЛЬЗОВАНИЕ И ОБСЛУЖИВАНИЕ ЭЛЕКТРОИНСТРУМЕНТА

- Не прилагайте к электроинструменту чрезмерных усилий. Используйте подходящий для ваших задач электроинструмент. Правильный электроинструмент безопасен и лучше работает при номинальной мощности.

ИСПОЛЬЗОВАНИЕ И СОДЕРЖАНИЕ ИНСТРУМЕНТА С ПИТАНИЕМ ОТ БАТАРЕЙ

- Заряжайте батареи только с помощью зарядного устройства, указанного изготовителем. Зарядное устройство, предназначенное для одного типа аккумуляторных батарей, может стать причиной пожара при использовании с другим типом батарей.
- Используйте электроинструмент только со специально предназначенными для него аккумуляторными батареями. Использование любого другого вида аккумуляторных батарей может стать причиной несчастных случаев или пожара.
- Когда аккумулятор не используется, храните его отдельно от металлических предметов — канцелярских скрепок, монет, ключей, гвоздей, винтов и др. — они могут замкнуть контакты. Короткое замыкание контактов аккумуляторной батареи может стать причиной ожогов или пожара.

RU

- При неблагоприятных обстоятельствах из аккумуляторной батареи может потечь электролит. Избегайте контакта с ним. При случайном контакте с кожей промойте пораженный участок проточной водой. Если электролит попал в глаза, обратитесь к врачу. Электролит из аккумуляторной батареи может вызвать раздражение и ожоги.

ОБСЛУЖИВАНИЕ

- Обслуживание электроинструмента должно выполняться квалифицированным специалистом с использованием только идентичных запасных частей. Это обеспечит безопасную работу электроинструмента.

ПЕРЕД ИСПОЛЬЗОВАНИЕМ УСТРОЙСТВА ПРОЧИТАЙТЕ ВСЕ ИНСТРУКЦИИ!

ОБУЧЕНИЕ

- Внимательно прочитайте инструкции. Освойтесь с органами управления и научитесь правильно пользоваться устройством.
- Не позволяйте использовать данное устройство детям, лицам с пониженными физическими, сенсорными или умственными способностями или имеющими недостаточный опыт или знания либо людям, не знакомым с этими инструкциями.
- Не разрешайте пользоваться устройством лицам, не прочитавшим настоящие инструкции. Местные нормы могут ограничивать возраст оператора.
- Не используйте устройство, если рядом с вами находятся люди (особенно дети) или животные.
- Оператор или владелец несут ответственность за несчастные случаи и урон, нанесенный другим людям или их имуществу.

Подготовка

- Для работы с устройством всегда надевайте подходящую обувь и длинные брюки.
- Не надевайте излишне свободную одежду или украшения, так как их может затянуть во впускное отверстие. Избегайте попадания волос во впускное отверстие.
- При работе с устройством надевайте защитные очки.
- При работе в пыльной среде надевайте респираторы.

- Перед использованием проверьте батареи и аккумуляторы на наличие повреждений. Не используйте устройство, если батареи или аккумуляторы повреждены.
- Никогда не работайте с оборудованием, у которого повреждены или отсутствуют защитные устройства, например кожухи или мусоросборник.

Использование

- Всегда извлекайте аккумуляторы из устройства в следующих случаях:
 1. когда отходите от устройства;
 2. перед очисткой засорения;
 3. перед проверкой, очисткой или ремонтом устройства;
 4. если устройство начало сильно вибрировать.
- Работайте только днем или при хорошем искусственном освещении.
- Не тянитесь далеко и сохраняйте устойчивое положение.
- На склонах всегда следите за тем, чтобы находиться в устойчивом положении.
- Передвигайтесь шагом, не бегайте с устройством.
- Следите за чистотой вентиляционных отверстий.
- Не выдувайте мусор в сторону других людей.
- Работайте с устройством только в допустимое время — не слишком рано утром и не слишком поздно вечером, чтобы не беспокоить других людей.
- Используйте грабли и метлу, чтобы убрать мусор перед использованием воздуходувки.
- Слегка смочите обрабатываемую территорию в условиях запыленности или используйте мелкокапельный опрыскиватель.

⚠ ПРЕДУПРЕЖДЕНИЕ. Осторожно, вращающиеся части!

- Используйте максимальную длину насадки воздуходувки, чтобы воздушный поток действовал ближе к земле.
- Не используйте устройство вблизи открытых окон и т. д.

ОБСЛУЖИВАНИЕ И ХРАНЕНИЕ

- Следите за тем, чтобы все гайки, болты и винты были плотно затянуты — это обеспечит безопасную работу устройства.

RU

- Регулярно проверяйте мусоросборник на предмет износа.
- Заменяйте изношенные или поврежденные детали.
- Используйте только оригинальные запчасти и аксессуары.
- Храните устройство в сухом месте.

⚠ ПРЕДУПРЕЖДЕНИЕ. Чтобы обеспечить безопасность и надежность устройства, его ремонт должен выполнять квалифицированный специалист.

⚠ ПРЕДУПРЕЖДЕНИЕ. Чтобы уменьшить риск пожара, поражения электрическим током или травмы, соблюдайте следующие требования.
ВАЖНО!
ВНИМАТЕЛЬНО ПРОЧИТАЙТЕ ПЕРЕД ИСПОЛЬЗОВАНИЕМ.
СОХРАНИТЕ ДЛЯ ИСПОЛЬЗОВАНИЯ В БУДУЩЕМ

- Изучите воздуходувку. Внимательно прочитайте инструкцию. Изучите область применения и ограничения устройства, а также связанные с ним потенциальные риски. Соблюдение этого правила снизит риск поражения электрическим током, пожара или серьезных травм.
- Не подвергайте воздуходувку воздействию дождя или влажности. При попадании воды в воздуходувку увеличивается риск поражения электрическим током.
- Воздуходувка не должна использоваться в качестве игрушки. Будьте очень внимательны, когда дети пользуются устройством или находятся рядом с ним.
- Используйте данное устройство только согласно инструкции. Используйте только принадлежности, рекомендованные производителем.
- Если устройство не работает должным образом, если оно падало (в том числе в воду), было повреждено или оставлено вне помещения, отнесите его в сервисный центр.
- Не прикасайтесь к зарядному устройству, в том числе вилке и контактам, мокрыми руками.
- Не помещайте посторонние предметы в отверстия устройства. Не используйте устройство, если какие-либо его отверстия заблокированы. Содержите отверстия в чистоте от пыли, пуха, волос и других загрязнений, которые могут уменьшить поток воздуха.

- Держите пальцы, волосы, свисающие края одежды и другие части тела подальше от отверстий и движущихся частей устройства. Свободная одежда, украшения и длинные волосы могут попасть в вентиляционные отверстия.
- Длинные волосы заколите над уровнем плеч, чтобы они не попали в движущиеся части.
- Соблюдайте особую осторожность при уборке на лестницах.
- Не заряжайте аккумуляторную батарею на открытом воздухе.
- Для зарядки используйте только зарядное устройство, прилагаемое поставщиком.
- Не оставляйте воздуходувку без присмотра, если в ней установлен аккумулятор. Извлекайте аккумулятор перед обслуживанием воздуходувки, а также если она не используется.
- Не используйте воздуходувки во взрывоопасных местах, например вблизи горючих жидкостей, газов или пыли. Воздуходувки генерируют искры, которые могут воспламенить пыль или испарения.
- Используйте эту беспроводную воздуходувку только со специально предназначенным для нее аккумулятором. Использование любых других аккумуляторов может стать причиной возникновения пожара.
- Используйте только аккумуляторы и зарядные устройства, указанные ниже.

АККУМУЛЯТОР	ЗАРЯДНОЕ УСТРОЙСТВО
BA1120E, BA2240E, BA2800, BA3360, BA4200	CH5500E, CH2100E

RU

⚠ ПРЕДУПРЕЖДЕНИЕ.

- Прежде чем выбрасывать устройство, необходимо извлечь аккумулятор.
- Аккумулятор необходимо утилизировать безопасным способом.
- Будьте бдительны, следите за тем, что делаете, и следуйте здравому смыслу при использовании воздуходувки. Не пользуйтесь устройством, если вы устали или находитесь в плохом настроении или под воздействием наркотиков, алкоголя или медикаментов. Даже кратковременная невнимательность при работе с воздуходувкой может привести к тяжелым травмам.

- **Не допускайте случайного включения.** Перед установкой аккумулятора убедитесь, что выключатель находится в заблокированном или выключенном положении. Не держите палец на выключателе при переноске воздуходувки и не устанавливайте аккумулятор в устройство, если выключатель активирован. Это может привести к несчастному случаю.
- **Используйте средства защиты.** Всегда надевайте защитные средства для глаз. В соответствующих условиях должны использоваться противотуманная маска, нескользящая предохранительная обувь, жесткая каска и устройства защиты органов слуха.
- **Не используйте устройство на лестницах, крышах, деревьях и других неустойчивых опорах.** Устойчивое положение на твердой поверхности позволяет лучше контролировать воздуходувку в непредвиденных ситуациях.
- Всегда следите за положением своих ног, а за также за местонахождением детей и животных, когда извлекаете аккумулятор из воздуходувки. Падение аккумулятора может привести к серьезным травмам. НИКОГДА не извлекайте аккумулятор, если находитесь на возвышенности.
- **Не используйте воздуходувку, если ее нельзя включить и выключить с помощью выключателя.** Устройство с неисправным выключателем опасно и подлежит ремонту.
- **Перед регулировкой, сменой аксессуаров или хранением извлекайте аккумулятор из воздуходувки.** Такие меры предосторожности уменьшают риск случайного запуска устройства.
- **Выключайте все элементы управления перед извлечением аккумулятора.**
- **НЕ** пытайтесь очищать устройство, если из него не извлечен аккумулятор.
- **Проверьте выравнивание и сцепление подвижных деталей, наличие поломок и прочие условия, которые могут повлиять на работу воздуходувки.** В случае повреждения отремонтируйте воздуходувку перед дальнейшим использованием. Многие несчастные случаи вызваны неправильным техобслуживанием устройств.
- **Следите за тем, чтобы воздуходувка и ее рукоятка были сухими и чистыми и на них не было масла или смазочного материала.** Всегда используйте чистую ткань для очистки. Никогда не используйте тормозные жидкости, бензин, нефтепродукты и любые сильные растворители для очистки воздуходувки. Соблюдение данного правила позволяет снизить риск потери контроля и повреждения пластика корпуса.
- **Всегда надевайте защитные очки с боковыми щитками.** Обычные очки имеют только ударопрочные линзы. Они НЕ являются защитными очками. Соблюдение данного правила уменьшит риск травмирования глаз.
- **Защитите свои легкие.** Если во время работы возникает пыль, надевайте маску для лица или респиратор. Соблюдение данного правила уменьшит риск получения серьезных травм.
- **Защитите свой слух.** При длительном использовании устройства всегда надевайте средства защиты органов слуха. Соблюдение данного правила уменьшит риск получения серьезных травм.
- **Работающие от аккумуляторов инструменты не требуется подключать к розетке электросети, поэтому они всегда готовы к использованию.** Помните о возможности возникновения опасных ситуаций даже при замене принадлежностей и когда устройство с питанием от аккумулятора не используется. Соблюдение этого правила снизит риск поражения электрическим током, пожара или серьезных травм.
- **Надевайте плотные длинные брюки, одежду с длинными рукавами, прочную обувь и перчатки.** Старайтесь не надевать свободную одежду и украшения, которые могут попасть в движущиеся части устройства или в двигатель.
- **Не используйте устройство босиком, а также в сандалиях и подобной легкой обуви.** Надевайте защитную обувь для защиты ног и повышения устойчивости на скользких поверхностях.
- **Батареи могут взрываться при наличии источника зажигания, например запальника.** Чтобы уменьшить риск получения серьезной травмы, никогда не используйте беспроводные устройства вблизи открытого пламени. Взорвавшаяся батарея выделяет загрязнения и химикаты. При попадании на кожу немедленно промойте водой.
- **Сохраняйте устойчивое положение. Не тянитесь.** В противном случае можно потерять равновесие.
- **Перед каждым использованием проверяйте обрабатываемый участок.** Удалите такие предметы, как камни, осколки стекла, гвозди, проволоку или веревки, которые могут запутаться в устройстве или которые оно может отбросить.

- Не направляйте трубу воздуходувки на людей и животных.
- **Никогда не используйте устройство без установленного надлежащего оборудования.** Всегда следите за тем, чтобы труба воздуходувки была установлена.
- Если воздуходувка не используется, ее необходимо хранить в сухом и безопасном помещении, недоступном для детей.
- Следите за тем, чтобы посторонние лица, дети и животные находились на расстоянии не менее 15м.
- Обслуживание воздуходувки должен выполнять только квалифицированный специалист по ремонту. Выполнение обслуживания или ремонта неквалифицированным специалистом приведет к возникновению риска получения травмы.
- При выполнении сервисного обслуживания используйте только идентичные запасные части. Следуйте инструкциям в разделе о выполнении обслуживания в данном руководстве. Использование неподходящих деталей или несоблюдение инструкций по обслуживанию может привести к поражению током или получению травмы.
- **Никогда не используйте воздуходувку вблизи огня или горячей золы.** Использование устройства вблизи огня или золы может привести к распространению огня, серьезным травмам и/или повреждению имущества.
- **Никогда не используйте воздуходувку для распыления химикатов, удобрений или других токсичных веществ.** Распыление этих веществ может привести к серьезным травмам оператора или окружающих.
- При работающем двигателе воздуходувку можно класть только на твердые чистые поверхности. Гравий, песок и другие твердые частицы могут быть подхвачены воздухозаборным отверстием и отброшены в оператора или находящегося рядом лиц, что может вызвать серьезные травмы.
- **Сохраните данные инструкции.** Регулярно просматривайте их и предоставляйте для ознакомления другим пользователям. Одалживая кому-либо устройство, передайте также данные инструкции для предотвращения неправильного использования и возможных травм.

СОХРАНИТЕ ДАННЫЕ ИНСТРУКЦИИ!

ТЕХНИЧЕСКИЕ ХАРАКТЕРИСТИКИ

Напряжение	56 В
Скорость работы без нагрузки	Турборежим: 23 000 об/мин
	Высокая скорость: 18 000 об/мин
	Низкая скорость: 10 000 об/мин
Объем воздуха	Турборежим: 900 м³/ч
	Высокая скорость: 675 м³/ч
	Низкая скорость: 440 м³/ч
Скорость воздушного потока	Турборежим: 176 км/ч
	Высокая скорость: 136 км/ч
	Низкая скорость: 80 км/ч
Прибл. время работы (с аккумулятором EGO 2,5 Ач)	10 мин. (турборежим)
	23 мин. (высокая скорость)
	75 мин. (низкая скорость)
Масса воздуходувки (без аккумулятора)	2,18 кг
Измеренный уровень звуковой мощности L _{WA}	97 дБ (А) K _{WA} =2,5 дБ (А)
Уровень звукового давления на уши оператора L _{PA}	81,8 дБ (А) K _{PA} =2,5 дБ (А)
Гарантированный уровень звуковой мощности L _{WA} (измерен в соответствии с 2000/14/ЕС)	100 дБ (А)
Вибрация a _n	1,351 м/с² K=1,5 м/с²

RU

- Указанный общий показатель уровня вибрации был определен с помощью стандартного теста и может быть использован для сравнения разных инструментов.
- Указанный общий уровень вибрации может использоваться также для предварительной оценки уровня воздействия.

- **ПРИМЕЧАНИЕ.** Реальное вибрационное воздействие электроинструмента может отличаться от указанного в зависимости от способа использования. В целях безопасности оператор должен надевать перчатки и средства защиты органов слуха во время использования устройства.

УПАКОВОЧНЫЙ ЛИСТ

НАЗВАНИЕ ДЕТАЛИ	КОЛИЧЕСТВО
Воздуходувка	1
Труба воздуходувки	1
Плоская насадка воздуходувки	1
Руководство по эксплуатации	1

ОПИСАНИЕ

ЧАСТИ ВОЗДУХОДУВКИ (Рис. А)

1. Кнопка фиксации аккумулятора
2. Формованная рукоятка
3. Курок
4. Кнопка турборежима
5. Ручка регулировки скорости воздушного потока
6. Кнопка фиксации трубы
7. Труба воздуходувки
8. Отверстие для выхода воздуха
9. Воздухозаборное отверстие
10. Выталкивающий механизм
11. Крепежное отверстие
12. Электрические контакты
13. Фиксатор
14. Крепление наплечного ремня

⚠ ПРЕДУПРЕЖДЕНИЕ. Для безопасного использования устройства необходимо изучить и понять информацию, указанную на самом устройстве и в настоящем руководстве пользователя, а также иметь ясное представление о планируемой работе. Перед использованием устройства ознакомьтесь со всеми функциями и правилами безопасности.

ИСПОЛЬЗОВАНИЕ

⚠ ПРЕДУПРЕЖДЕНИЕ. Не допускайте небрежности и беспечности при работе с устройством. Помните, что потери бдительности на долю секунды достаточно для получения серьезной травмы.

⚠ ПРЕДУПРЕЖДЕНИЕ. Не пытайтесь изменить конструкцию воздуходувки или использовать нереконструированные для нее дополнительные приспособления. Подобное изменение считается ненадлежащим использованием и способствует возникновению опасной ситуации, которая приведет к получению серьезной травмы.

⚠ ПРЕДУПРЕЖДЕНИЕ. Перед сборкой, регулировкой, очисткой, а также когда устройство не используется, всегда извлекайте из него аккумулятор. Извлечение аккумулятора поможет предотвратить непредвиденный запуск устройства, который может привести к серьезным травмам.

Перед каждым использованием полностью проверяйте устройство на наличие поврежденных, отсутствующих или ослабленных частей, таких как винты, гайки, болты, заглушки и т. д. Надежно закрепите все фиксаторы и заглушки и не пользуйтесь устройством до тех пор, пока не будут заменены поврежденные или отсутствующие части.

ПРИМЕНЕНИЕ

Данное устройство можно использовать в следующих целях.

- Для очистки твердых поверхностей, таких как подъездные пути и дорожки.
- Для очистки поверхностей и подъездных путей от листьев и хвои.

ПРИМЕЧАНИЕ. Инструмент должен использоваться только по назначению. Любое другое использование, кроме упомянутого, считается неправильным.

УСТАНОВКА И ДЕМОНТАЖ ТРУБЫ ВОЗДУХОДУВКИ

■ Установка (Рис. В)

Совместите пазы и вставьте трубу в корпус до щелчка.

■ Демонтаж (Рис. С)

Нажмите кнопку фиксации трубы и извлеките трубу.

УСТАНОВКА И ДЕМОНТАЖ АККУМУЛЯТОРА (Рис. D)

Зарядите перед первым использованием.

■ Установка

Совместите ребра аккумулятора с крепежными отверстиями и вставьте аккумулятор до щелчка.

■ Демонтаж

Нажмите кнопку фиксации аккумулятора и извлеките аккумулятор.

⚠ ПРЕДУПРЕЖДЕНИЕ. Всегда следите за положением своих ног, а за также за местонахождением детей и животных, когда нажимаете на кнопку фиксации аккумулятора. Падение аккумулятора может привести к серьезным травмам. НИКОГДА не извлекайте аккумулятор, если находитесь на возвышенности.

ВКЛЮЧЕНИЕ И ВЫКЛЮЧЕНИЕ ВОЗДУХОДУВКИ (Рис. Е)

■ **Включение**

Зажмите курок и удерживайте его. Через некоторое время воздуходувка начнет работать.

■ **Выключение**

Отпустите курок.

РЕГУЛИРОВКА СКОРОСТИ ВОЗДУШНОГО ПОТОКА

■ **Увеличение и уменьшение скорости воздушного потока**

Поверните ручку регулировки скорости воздушного потока по часовой стрелке или против нее.

■ **Повышение скорости воздушного потока**

Нажмите кнопку турборежима, чтобы достичь максимальной скорости.

ПРИМЕЧАНИЕ. Как только кнопка турборежима будет отпущена, воздуходувка возобновит работу с прежней скоростью.

ИСПОЛЬЗОВАНИЕ ВОЗДУХОДУВКИ

- Чтобы мусор не разлетался, направляйте поток воздуха от наружных краев кучи мусора. Никогда не направляйте поток воздуха непосредственно в центр кучи.
- Чтобы снизить уровень шума, ограничьте число единиц оборудования, используемых одновременно.
- Используйте грабли и метлу, чтобы убрать мусор перед использованием воздуходувки. В пыльных условиях по возможности слегка увлажните поверхность.
- Экономьте воду, используя мощные воздуходувки вместо шлангов для садово-огородного применения, в том числе для очистки сточных канав, сеток и решеток, патио, мангалов, веранд и садов.
- Следите за детьми, домашними животными, открытыми окнами и свежевываемыми автомобилями и сдувайте мусор в сторону от них.
- После использования воздуходувок и другого оборудования наведите порядок! Утилизируйте мусор надлежащим образом.

ОБСЛУЖИВАНИЕ

⚠ ПРЕДУПРЕЖДЕНИЕ. При ремонте используйте только идентичные запасные части. Использование других запасных частей может привести к травмам или повреждению устройства. Чтобы обеспечить безопасность и надежность устройства, его ремонт должен выполнять квалифицированный специалист.

⚠ ПРЕДУПРЕЖДЕНИЕ. Во избежание травм всегда извлекайте аккумулятор из устройства перед чисткой или обслуживанием.

ОБЩЕЕ ОБСЛУЖИВАНИЕ

Не используйте растворители для чистки пластмассовых деталей. Большинство пластиковых частей чувствительны к различным бытовым растворителям и могут быть повреждены. Для очистки от грязи, пыли, масла, смазки и т. п. используйте чистую ткань.

⚠ ПРЕДУПРЕЖДЕНИЕ. Не допускайте попадания на пластиковые части тормозной жидкости, бензина, продуктов на нефтяной основе, пропитывающих масел и т. д. Химические вещества могут повредить, ослабить или разрушить пластик, что приведет к получению серьезных травм.

ХРАНЕНИЕ

- Уберите все посторонние материалы из воздухозаборного отверстия воздуходувки.
- Храните внутри помещения в недоступном для детей месте. Храните вдали от источников коррозии, таких как садовые удобрения и техническая соль.

RU



Защита окружающей среды



Не выбрасывайте электрооборудование, зарядные устройства, батарейки и аккумуляторы вместе с бытовыми отходами!

В соответствии с европейским законом 2012/19/EU электрическое и электронное оборудование, которое не подлежит дальнейшей эксплуатации, а также непригодные и использованные батарейки и аккумуляторы (согласно европейскому закону 2006/66/EC) должны быть собраны отдельно и утилизированы экологически безопасным способом.

При утилизации электрических устройств на свалках в подземные воды могут просочиться опасные вещества, которые затем попадут в пищевую цепь и приведут к общему ухудшению здоровья и благополучия.

ДЕКЛАРАЦИЯ О СООТВЕТСТВИИ НОРМАМ ЕС



Мы, CHERVON EUROPE LTD.

47 CASTLE STREET, READING, RG1 7SR, UNITED KINGDOM

заявляем, что **беспроводная воздуходувка LB5300E с литий-ионным аккумулятором 56 В** соответствует основным правилам техники безопасности и производственной санитарии следующих директив: 2006/42/EC, 2004/108/EC, 2011/65/EU, 2000/14/EC

Стандарты и технические требования, относящиеся к: EN60335-1, EN50636-2-100, EN62233, EN55014-1, EN55014-2

Измеренный уровень звукового давления: 97 дБ (А).
Гарантированный уровень звуковой мощности: 100 дБ (А).

Peter Melrose
(Питер Мелроуз)
Вице-президент Chervon Europe

Dong Jianxun
(Донг Дзянсинь)
Менеджер по качеству Chervon

* (Уполномоченный представитель CHERVON и ответственный за техническую документацию)

01/01/2016

RU



УСТРАНЕНИЕ НЕИСПРАВНОСТЕЙ

ПРОБЛЕМА	ПРИЧИНА	РЕШЕНИЕ
Воздуходувка не работает.	<ul style="list-style-type: none">■ Аккумулятор не установлен в воздуходувку.■ Нет электрического контакта между воздуходувкой и аккумулятором.■ Аккумулятор разряжен.■ Аккумулятор или воздуходувка перегрелись.	<ul style="list-style-type: none">■ Аккумулятор не установлен в воздуходувку.■ Нет электрического контакта между воздуходувкой и аккумулятором.■ Аккумулятор разряжен.■ Аккумулятор или воздуходувка перегрелись.
Скорость воздушного потока значительно снизилась.	<ul style="list-style-type: none">■ Чрезмерный износ вентилятора двигателя.■ Воздухозаборное отверстие засорилось.	<ul style="list-style-type: none">■ Обратитесь в сервисный центр EGO для ремонта.■ Извлеките аккумулятор, удалите засор.

ГАРАНТИЯ

ГАРАНТИЙНАЯ ПОЛИТИКА EGO

Посетите веб-сайт egopowerplus.com, чтобы ознакомиться со всеми условиями и сроками гарантийной политики EGO.

RU

PRZECZYTAJ WSZYSTKIE INSTRUKCJE!



**PRZECZYTAJ ZE ZROZUMIENIEM
INSTRUKCJE OBSŁUGI**

UWAGA: Niniejsza instrukcja powinna być także dostępna w innym formacie, np. na stronie internetowej.

⚠ Ryzyko szczytkowe! Osoby z urządzeniami elektronicznymi, takimi jak rozruszniki serca, powinny przed użyciem produktu skonsultować się ze swoim(i) lekarzem/-ami. Używanie urządzeń elektrycznych blisko rozrusznika serca może spowodować zakłócenia lub uszkodzić rozrusznik.

⚠ OSTRZEŻENIE: Aby zagwarantować bezpieczeństwo i niezawodność, wszystkie naprawy i wymiany części powinny być wykonywane przez wykwalifikowanych techników serwisu.

SYMBOLE BEZPIECZEŃSTWA

Celem symboli bezpieczeństwa jest zwrócenie uwagi użytkownika na możliwe zagrożenia. Symbole bezpieczeństwa i objaśnienia do nich zastępują na to, by je uważnie przestudiować i zrozumieć. Symbole bezpieczeństwa nie eliminują same z siebie jakichkolwiek zagrożeń. Podawane w nich instrukcje i ostrzeżenia nie zastępują odpowiednich środków zapobiegania wypadkom.

⚠ OSTRZEŻENIE: Przed użyciem narzędzia prosimy przeczytać i zrozumieć wszystkie instrukcje dotyczące bezpieczeństwa podane w podręczniku użytkownika, łącznie z wszystkimi symbolami ostrzegawczymi takimi jak „NIEBEZPIECZEŃSTWO”, „OSTRZEŻENIE” i „UWAGA”. Niestosowanie się do wszystkich podanych niżej instrukcji może doprowadzić do porażenia prądem, pożaru i/lub poważnych obrażeń.

Zapobieganie uszkodzeniom i komunikaty informacyjne

Przekazują one użytkownikowi ważne informacje i/lub instrukcje, których zignorowanie może prowadzić do uszkodzenia urządzenia lub innego mienia. Każdy komunikat jest poprzedzony słowem „UWAGA”, tak jak w przykładzie poniżej:

UWAGA: Nieprzestrzeganie instrukcji grozi uszkodzeniem urządzenia i/lub mienia.



⚠ OSTRZEŻENIE: Praca elektronarzędziami może spowodować wyrzucenie ciał obcych w oczy użytkownika, co może doprowadzić do poważnych urazów oczu. Przed rozpoczęciem pracy elektronarzędziem należy zawsze założyć gogle ochronne lub okulary z osłonami bocznymi, a w stosownych przypadkach także pełną osłonę na twarz. Zalecamy nakładanie na zwykłe okulary maski zabezpieczającej o szerokim polu widzenia lub stosowanie standardowych okularów zabezpieczających z osłonami bocznymi.

INSTRUKCJE DOTYCZĄCE BEZPIECZEŃSTWA

Na tej stronie pokazano i opisano symbole bezpieczeństwa, które mogą występować na produkcie. Przed podjęciem próby złożenia i użycia urządzenia należy przeczytać i zrozumieć wszystkie instrukcje dotyczące maszyny oraz zastosować się do nich.

	Ostrzeżenie dotyczące bezpieczeństwa	Ostrzeżenia istotne dla bezpieczeństwa użytkownika.
	Noś okulary ochronne	Podczas używania produktu należy zawsze nosić gogle ochronne lub okulary ochronne z osłonami bocznymi, a także pełną osłonę na twarz.
	Noś ochronniki słuchu	Podczas pracy urządzeniem należy zawsze nosić ochronniki słuchu.
	Przeczytaj instrukcję operatora	Aby zmniejszyć ryzyko urazów, użytkownik musi przeczytać i zrozumieć instrukcję przed rozpoczęciem korzystania z produktu.
	Osoby postronne trzymaj z daleka	Osoby postronne muszą stać w odległości co najmniej 15m.
	Konstrukcja klasy II	Konstrukcja z podwójną izolacją.
	Chronić przed wilgocią	Nie należy używać w deszczu, nie zostawiać na dworze podczas deszczu.

PL

V	Wolt	Napięcie
A	Ampery	Prąd
Hz	Herc	Częstotliwość (cykli na sekundę)
W	Wat	Moc
min	Minuty	Czas
m ³ /h	Metr sześcienny na godzinę	Objętość powietrza
km/h	Kilometry na godzinę	Prędkość powietrza
	Prąd zmienny	Rodzaj prądu
	Prąd stały	Rodzaj lub charakterystyka prądu
n ₀	Prędkość bez obciążenia	Prędkość obrotowa bez obciążenia
... /min	Na minutę	Obroty na minutę

Podczas używania urządzeń elektrycznych należy zawsze przestrzegać podstawowych zasad bezpieczeństwa, w tym następujących zaleceń:

OGÓLNE OSTRZEŻENIA DOTYCZĄCE ELEKTRONARZĘDZI

⚠ OSTRZEŻENIE: Prosimy przeczytać wszystkie ostrzeżenia, zalecenia bezpieczeństwa i instrukcje. Niestosowanie się do ostrzeżeń i instrukcji może doprowadzić do porażenia prądem, pożaru i/lub poważnych obrażeń.

Wszystkie ostrzeżenia i instrukcje należy zachować na przyszłość.

Termin „elektronarzędzie” występujący w ostrzeżeniach dotyczy narzędzia elektrycznego o zasilaniu sieciowym (przewodowego) lub akumulatorowym (beprzewodowego).

BEZPIECZEŃSTWO W MIEJSCU PRACY

- **Należy dbać o czystość i dobre oświetlenie w miejscu pracy.** Bałagan i złe oświetlenie sprzyjają wypadkom.
- **Nie należy używać elektronarzędzi w miejscach zagrożonych wybuchem, np. w obecności łatwopalnych cieczy, benzyny lub pyłu.** Elektronarzędzia wytwarzają iskry, które mogą zapalić opary lub pył.
- **W czasie pracy elektronarzędzie należy trzymać z dala od dzieci i osób postronnych.** Chwila nieuwagi może spowodować utratę kontroli nad urządzeniem.

BEZPIECZEŃSTWO ELEKTRYCZNE

- **Wtyczki elektronarzędzi muszą pasować do gniazdek. Nigdy w jakikolwiek sposób nie wolno przerabiać wtyczki.** Do elektronarzędzi wymagających uziemienia nie należy używać przejściówek. Oryginalne wtyczki i pasujące do nich gniazdka zmniejszają ryzyko porażenia prądem.
- **Należy unikać dotykania ciałem powierzchni uziemionych, takich jak np. rury, kaloryfery, kuchenki i lodówki.** Uziemienie ciała zwiększa ryzyko porażenia prądem.
- **Elektronarzędzia należy chronić przed deszczem i wilgocią.** Woda dostająca się do wnętrza elektronarzędzia zwiększa ryzyko porażenia prądem.
- **Nie należy nadwyręzać przewodu. Nigdy nie używać przewodu do noszenia lub ciągnięcia elektronarzędzia; nie chwycić za przewód, aby wyjąć wtyczkę z kontaktu. Przewód trzymać z dala od ostrych krawędzi, poruszających się części i źródeł ciepła. Chronić przed poplamieniem ropą lub olejem.** Zapłatanie lub uszkodzone przewody zwiększają ryzyko porażenia prądem.
- **Podczas używania elektronarzędzia na dworku należy stosować przedłużacz nadający się do używania na dworku.** Używanie przewodu przeznaczonego do stosowania na dworku zmniejsza ryzyko porażenia prądem.
- **Jeżeli użycie elektronarzędzia w miejscu o dużej wilgotności jest nieuniknione, należy stosować zasilanie zabezpieczone wyłącznikiem różnicowoprądowym.** Używanie wyłącznika różnicowoprądowego zmniejsza ryzyko porażenia prądem.

BEZPIECZEŃSTWO OSOBISTE

- **Podczas pracy narzędziem należy zachować czujność, patrzeć, co się robi i kierować się zdrowym rozsądkiem. Nie należy używać elektronarzędzia, gdy użytkownik jest zmęczony, albo pod wpływem narkotyków, alkoholu lub leków.** Chwila nieuwagi w czasie posługiwania się narzędziami elektrycznymi może spowodować poważne obrażenia.
- **Należy używać środków ochrony indywidualnej i zawsze nosić okulary ochronne.** Stosowanie w odpowiednich warunkach sprzętu ochronnego takiego jak np. maska przeciwpyłowa, obuwie ochronne z podeszwami antypoślizgowymi, kask lub ochronniki słuchu zmniejszy ewentualne obrażenia.

PL

- Nie wolno dopuszczać do przypadkowego włączenia. Należy pilnować, aby przed podłączeniem narzędzia do zasilania i/lub baterii akumulatorowej oraz przed podniesieniem i przeniesieniem przełącznik był ustawiony w pozycji „wyłączone”. Trzymanie palca na przełączniku w czasie przenoszenia narzędzi elektrycznych lub podłączanie ich do zasilania, gdy przełącznik jest ustawiony w pozycji „włączone” może doprowadzić do wypadku.
- Przed włączeniem elektronarzędzia należy usunąć wszystkie klucze regulacyjne i inne narzędzia. Klucz zaczepony o obracającą się część narzędzia może spowodować obrażenia.
- Nie należy sięgać za daleko. Należy zawsze dbać o utrzymanie równowagi i pewne podparcie nóg. W nieprzewidzianych sytuacjach zapewnia to lepszą kontrolę nad narzędziem.
- Należy nosić odpowiednią odzież. Nie powinno się nosić luźnych ubrań ani biżuterii. Włosy, odzież i rękawice należy trzymać w bezpiecznej odległości od poruszających się części. Luźne ubrania, biżuteria lub długie włosy mogą zaczepić się o poruszające się części.
- Jeżeli urządzenie jest wyposażone w przystawkę do odsysania i zbierania pyłu, należy pilnować, aby była ona podłączona i właściwie stosowana. Używanie urządzeń służących do pochłaniania pyłu może zmniejszyć zagrożenia związane z pyłem.

UŻYWANIE I KONSERWOWANIE ELEKTRONARZĘDZI

- Elektronarzędzia nie należy forsować. Należy używać narzędzia dostosowanego do wykonywanej pracy. Odpowiednie narzędzie elektryczne wykona pracę lepiej i bezpieczniej, gdy pozwoli mu się pracować z prędkością/obrotami do jakich zostało zaprojektowane.
- Nie należy używać elektronarzędzia, jeżeli przełącznik zasilania nie włącza go lub nie wyłącza. Narzędzie, którego nie da się kontrolować przełącznikiem, jest potencjalnie niebezpieczne i wymaga naprawy.
- Przed jakąkolwiek regulacją, wymianą akcesoriów lub schowaniem elektronarzędzia należy wyjąć wtyczkę z gniazdka i/lub odłączyć od narzędzia akumulator. Tego typu zapobiegawcze środki ostrożności zmniejszają ryzyko przypadkowego włączenia się narzędzia.

- Nieużywane elektronarzędzia należy przechowywać w miejscu niedostępnym dla dzieci. Osobom, które nie zapoznały się z instrukcją i narzędziem nie należy pozwalać obsługiwać go. W rękach niedoświadczonych użytkowników narzędzia elektryczne mogą stanowić zagrożenie.
- Elektronarzędzia należy utrzymywać w dobrym stanie. Należy kontrolować, czy części ruchome nie są odchylone od osi, nie zacinają się i nie są pęknięte lub uszkodzone w inny sposób, który mógłby wpłynąć na działanie narzędzia. W razie uszkodzenia, przed użyciem należy oddać narzędzie do naprawy. Wiele wypadków wynika ze złej konserwacji narzędzi.
- Należy dbać o czystość i naostrzenie narzędzi tnących. Odpowiednio utrzymywane narzędzia z ostrymi krawędziami tnącymi są mniej narażone na zakleszczanie się i łatwiej jest je kontrolować.
- Elektronarzędzi, akcesoriów, wiertel, bitów, itp. należy używać zgodnie z niniejszą instrukcją, z uwzględnieniem warunków i rodzaju wykonywanej pracy. Korzystanie z narzędzi niezgodnie z przeznaczeniem może prowadzić do niebezpiecznych sytuacji.

UŻYWANIE I KONSERWOWANIE NARZĘDZI AKUMULATOROWYCH

- Do ładowania należy używać wyłącznie ładowarki wskazanej przez producenta. Użycie ładowarki pochodzącej od jednego akumulatora do ładowania innego akumulatora grozi pożarem.
- Elektronarzędzi należy używać wyłącznie z przeznaczonymi do nich akumulatorami. Użycie jakichkolwiek innych akumulatorów grozi obrażeniami i pożarem.
- Jeżeli akumulator nie jest używany, należy go przechowywać z dala od innych przedmiotów metalowych, np. spinaczy, monet, kluczy, gwoździ, śrub i innych drobnych przedmiotów metalowych, które mogłyby spowodować zwarcie wyprowadzeń akumulatora. Zwarcie wyprowadzeń akumulatora może doprowadzić do oparzenia lub pożaru.
- W niesprzyjających warunkach może dojść do wycieku cieczy z akumulatora. Należy wtedy unikać wszelkiego kontaktu z tą cieczą. W razie przypadkowego kontaktu ze skórą, zabrudzone miejsce należy obficie przemyć wodą. Jeżeli płyn dostanie się do oczu, należy dodatkowo zasięgnąć porady lekarza. Płyn wyciekający z akumulatora może powodować podrażnienie lub oparzenia.

SERWISOWANIE

- Serwisowanie urządzenia należy powierzyć wykwalifikowanemu technikowi, a do naprawy używać wyłącznie części zamiennych identycznych z oryginalnymi. Zapewni to bezpieczeństwo eksploatacji narzędzia elektrycznego.

PRZED UŻYCIEM URZĄDZENIA NALEŻY PRZECZYTAĆ WSZYSTKIE INSTRUKCJE!

SZKOLENIE

- Prosimy uważnie przeczytać instrukcję. Należy zapoznać się z elementami sterującymi i metodami poprawnej obsługi urządzenia.
- W następujących przypadkach nigdy nie należy pozwalać używać tego urządzenia: dzieci, osoby o ograniczeniach fizycznych, czuciowych lub psychicznych, osoby bez odpowiedniego doświadczenia lub wiedzy oraz osoby, które nie zapoznały się z niniejszą instrukcją.
- Nigdy nie należy pozwalać używać urządzenia osobom nieobeznanym z niniejszą instrukcją. Przepisy miejscowe mogą nakładać ograniczenia dotyczące wieku operatora.
- Nigdy nie należy używać urządzenia gdy w pobliżu znajdują się ludzie, a zwłaszcza dzieci, lub zwierzęta domowe.
- Za wypadki lub szkody wyrządzone osobom trzecim i ich własności odpowiada operator lub użytkownik.

Przygotowanie

- Podczas używania urządzenia należy zawsze nosić solidne obuwie i długie spodnie.
- Nie należy nosić luźnych ubrań ani biżuterii, które mogłyby zostać wciągnięte przez wlot powietrza. Długie włosy należy trzymać z dala od wlotów powietrza.
- W czasie pracy należy nosić okulary ochronne.
- Aby zapobiec podrażnieniu pyłem, zaleca się noszenie maski na twarz.
- Przed użyciem należy sprawdzić przewód zasilający i przedłużacz pod kątem uszkodzenia i starzenia się. Nie należy używać urządzenia, jeżeli baterie lub akumulator są uszkodzone.
- Nigdy nie należy używać urządzenia z uszkodzonymi osłonami lub zabezpieczeniami lub bez urządzeń bezpieczeństwa, np. bez założonego pojemnika do zbierania pyłu.

Użytkowanie

- W następujących sytuacjach należy odłączyć baterię lub akumulator:

1. Za każdym razem, gdy użytkownik zostawia maszynę;
2. Przed usunięciem zatoru;
3. Przed kontrolą, czyszczeniem lub wykonywaniem prac przy urządzeniu;
4. Jeżeli urządzenie zacznie nietypowo drgać.

- Urządzenia należy używać tylko przy świetle dziennym lub przy dobrym oświetleniu sztucznym.
- Nie należy sięgać za daleko, należy zawsze dbać o utrzymanie równowagi.
- Na pochyłościach należy zawsze dbać o zachowanie równowagi.
- Należy chodzić, a nie biegać.
- Należy dbać o czystość i drożność wszystkich wlotów powietrza układu chłodzenia.
- Nigdy nie należy nadmuchiwać odpadów w kierunku innych osób.
- Narzędzia należy używać tylko o rozsądnych porach dnia – nie wcześniej rano i nie później wieczór, gdy mogłyby to przeszkadzać innym ludziom.
- Zaleca się używać grabi i mioteł, aby przed użyciem dmuchawy wzruszyć zanieczyszczenia.
- W warunkach znacznego zapylenia zaleca się lekko zwilżać oczyszczane powierzchnie lub używać przystawki nawilżającej.

⚠ OSTRZEŻENIE: Uwaga na obracające się części!

- Należy używać pełnego przedłużenia dyszy dmuchawy, tak aby doprowadzić strumień powietrza blisko ziemi.
- Nie należy używać maszyny w pobliżu otwartych okien, itp.

KONSERWACJA I PRZECHOWYWANIE

- Należy dbać o to, aby wszystkie nakrętki, śruby i wkręty były dokręcone, tak aby urządzenie działało w sposób całkowicie bezpieczny.
- Należy często sprawdzać, czy worek na odpady nie jest zużyty lub uszkodzony.
- Zużyte lub uszkodzone części należy wymieniać.
- Należy używać wyłącznie oryginalnych części zamiennych i akcesoriów.
- Urządzenie należy przechowywać w suchym miejscu.

⚠ OSTRZEŻENIE: Aby zagwarantować bezpieczeństwo i niezawodność, wszystkie naprawy powinny być wykonywane przez wykwalifikowanych techników serwisu.

PL

⚠ OSTRZEŻENIE: Aby ograniczyć ryzyko pożaru, porażenia prądem lub urazów:
WAŻNE
PRZED UŻYCIEM UWAŻNIE PRZECZYTAJ.
ZACHOWAJ NA PRZYSZŁOŚĆ.

- Prosimy zapoznać się z dmuchawą. Użytkownik powinien przeczytać instrukcję obsługi. Należy zapoznać się z zastosowaniami i ograniczeniami oraz specjalnymi potencjalnymi zagrożeniami związanymi z dmuchawą. Stosowanie tej zasady ograniczy ryzyko porażenia prądem, pożaru lub poważnych obrażeń.
- Dmuchawę należy chronić przed deszczem i wilgocią. Woda dostająca się do dmuchawy zwiększa ryzyko porażenia prądem.
- Nie należy pozwalać dzieciom używać dmuchawy jako zabawki. Używanie urządzenia przez lub w pobliżu dzieci wymaga szczególnej uwagi.
- Urządzenia należy używać wyłącznie w sposób opisany w niniejszej instrukcji. Należy używać wyłącznie osprzętu zalecanego przez producenta.
- Jeżeli dmuchawa nie działa tak, jak powinna, została upuszczona, uszkodzona, zostawiona na dworze lub wpadła do wody, należy ją oddać do centrum serwisowego.
- Nie należy dotykać mokrymi rękoma ładowarki, w tym także jej wtyczki i wyprowadzeń.
- Nie należy wkładać żadnych przedmiotów do otworów. Nie wolno używać urządzenia z zapchanymi otworami. Chronić przed kurzem, kłaczkami, włosami i wszystkim, co może zmniejszać przepływ powietrza.
- Włosy, luźną odzież, palce i wszystkie inne części ciała należy trzymać w bezpiecznej odległości od poruszających się części. Luźne ubrania, biżuteria lub długie włosy mogą zostać wciągnięte w otwory wentylacyjne.
- Długie włosy należy związać powyżej ramion, aby nie zaplątały się w poruszające się części.
- Szczególną ostrożność należy zachowywać podczas sprzątania na schodach.
- Akumulatora nie należy ładować na dworze.
- Należy używać wyłącznie ładowarki dostarczonej przez producenta do ładowania akumulatora.
- Gdy akumulator jest założony do narzędzia, dmuchawy nie należy zostawiać bez nadzoru. Gdy dmuchawa nie jest używana oraz przed serwisowaniem należy wyjąć z niej akumulator.
- Dmuchawę nie należy używać w miejscach zagrożonych wybuchem, np. w obecności łatwopalnych cieczy, gazów lub pyłu. Dmuchawy wytwarzają iskry, które mogą zapalić pył lub opary.
- W dmuchawie akumulatorowej należy używać wyłącznie specjalnie do niej zaprojektowanych akumulatorów. Użycie jakichkolwiek innych akumulatorów grozi pożarem.
- W urządzeniu należy używać wyłącznie ładowarek i akumulatorów wymienionych poniżej:

AKUMULATOR	ŁADOWARKA
BA1120E, BA2240E, BA2800, BA3360, BA4200	CH5500E, CH2100E

⚠ OSTRZEŻENIE:

- Przed użyciem akumulator należy wyjąć z urządzenia.
- Akumulator należy zutylizować w sposób bezpieczny.
- Podczas pracy dmuchawą należy zachować czujność, patrzeć, co się robi i kierować się zdrowym rozsądkiem. Nie należy używać dmuchawy, gdy użytkownik jest zmęczony, zdenerwowany albo pod wpływem narkotyków, alkoholu lub leków. Chwila nieuwagi w czasie posługiwania się dmuchawą może spowodować poważne urazy.
- Należy unikać przypadkowego włączenia urządzenia. Przed założeniem akumulatora należy upewnić się, że przełącznik jest ustawiony w pozycji zablokowanej lub wyłączonej. Trzymanie palca na przełączniku w czasie przenoszenia dmuchawy lub wkładania akumulatora do dmuchawy, gdy przełącznik ustawiony jest w pozycji „włączone” może doprowadzić do wypadku.
- Należy używać sprzętu ochronnego. Należy zawsze nosić okulary ochronne. Odpowiednio do warunków, należy obowiązkowo stosować sprzęt ochronny taki jak maska przeciwpyłowa, obuwie ochronne z podszewkami antypoślizgowymi, kask i nauszники ochronne.
- Narzędzia nie należy używać na drabinie, dachu, drzewie lub na innych niestabilnych podłożach. W nieprzewidzianych sytuacjach stabilne podparcie nóg i solidna powierzchnia zapewniają lepszą kontrolę nad dmuchawą.
- W momencie wyjmowania akumulatora z dmuchawy należy zawsze uważać na swoje stopy, dzieci i zwierzęta domowe wokół siebie. **Upuszczenie akumulatora może doprowadzić do poważnych urazów. NIGDY nie należy wyjmować akumulatora, gdy znajduje się on wysoko.**

- **Nie należy używać dmuchawy, jeżeli przełącznik nie włącza jej lub nie wyłącza.** Dmuchawa, której nie da się kontrolować przełącznikiem, jest potencjalnie niebezpieczna i wymaga naprawy.
- **Przed jakąkolwiek regulacją, wymianą akcesoriów lub przechowywaniem dmuchawy należy zawsze odłączyć akumulator.** Tego typu zapobiegawcze środki ostrożności zmniejszają ryzyko przypadkowego włączenia się dmuchawy.
- **Przed wyjęciem akumulatora, wszystkie elementy sterujące należy ustawić w pozycji „wyłączone”.**
- **NIE NALEŻY** próbować odtkać urządzenia bez wcześniejszego wyjęcia z niego akumulatora.
- **Należy kontrolować, czy części ruchome nie są odchylone od osi, nie zacinają się i nie są pęknięte lub uszkodzone w inny sposób, który mógłby wpłynąć na działanie dmuchawy. W razie uszkodzenia, przed użyciem należy oddać dmuchawę do serwisu.** Wiele wypadków wynika ze złej konserwacji dmuchaw.
- **Należy dbać o to, aby dmuchawa i jej uchwyt były suche, czyste i niezaplamione olejem lub smarem.** Do czyszczenia należy zawsze używać czystej ściereczki. Do czyszczenia dmuchawy nigdy nie należy stosować płynów hamulcowych, benzyny, produktów ropopochodnych lub jakichkolwiek innych silnych rozpuszczalników. Stosowanie tej zasady ograniczy ryzyko uszkodzenia plastikowej obudowy.
- **Należy zawsze nosić okulary ochronne z osłonami bocznymi.** Soczewki w okularach codziennego użytku są odporne jedynie na zwykłe uderzenia. NIE są to okulary ochronne. Przestrzeganie tej zasady ograniczy ryzyko poważnych urazów oczu.
- **Należy chronić swoje płuca. W tym celu, w przypadku pracy powodującej pylenie należy nosić maskę przeciwpyłową.** Przestrzeganie tej zasady ograniczy ryzyko poważnych urazów.
- **Należy chronić swój słuch. W przypadku długotrwałej pracy narzędziem należy zakładać nauszники ochronne.** Przestrzeganie tej zasady ograniczy ryzyko poważnych urazów.
- **Dmuchawy akumulatorowe nie wymagają podłączenia do kontaktu elektrycznego i dlatego są zawsze gotowe do pracy. Gdy dmuchawa akumulatorowa nie jest używana oraz podczas wymiany akcesoriów należy więc mieć świadomość możliwych zagrożeń.** Stosowanie tej zasady ograniczy ryzyko porażenia prądem, pożaru lub poważnych urazów ciała.
- **Należy nosić ciężkie długie spodnie, długie rękawy, solidne buty i rękawice.** Należy unikać noszenia luźnych ubrań i biżuterii, które mogłyby wplątać się w poruszające się części maszyny lub jej silnika.
- **Nie należy używać urządzenia na boso, w sandałach lub w innym lekkim obuwiu.** Należy nosić zabezpieczające stopy i poprawiające przyczepność na śliskich powierzchniach.
- **W przypadku pojawienia się źródła zapłonu takiego jak np. świeczka w podgrzewaczu do wody, akumulatory mogą wybuchnąć.** Aby ograniczyć ryzyko ciężkich urazów ciała, nigdy nie należy używać jakichkolwiek produktów bezprzewodowych w obecności otwartych płomieni. Wybuch akumulatora może spowodować wyrzucenie w powietrze odpadów i substancji chemicznych. W przypadku zetknięcia się z nimi, zabrudzone miejsce trzeba natychmiast przepłukać wodą.
- **Należy zawsze dbać o pewne podparcie nóg i zachowanie równowagi. Nie należy sięgać za daleko.** Sięganie za daleko może doprowadzić do utraty równowagi.
- **Przed każdym użyciem należy skontrolować miejsce pracy!** Należy usunąć wszystkie przedmioty takie jak kamienie, potłuczone szkło, gwoździe, kawałki drutu lub sznurka itp., które mogą zostać wyrzucone w powietrze lub mogą zaplątać się w maszynę.
- **Nie należy kierować dmuchawy w stronę ludzi lub zwierząt.**
- **Nigdy nie należy używać urządzenia bez zainstalowania właściwego osprzętu.** Należy zawsze pilnować, aby rura dmuchawy była zainstalowana.
- **Na czas, gdy nie jest używana, dmuchawę należy przechowywać w miejscu suchym i bezpiecznym oraz niedostępnym dla dzieci.**
- **Osoby postronne, dzieci i zwierzęta domowe muszą stać w odległości co najmniej 15m.**
- **Wszelkie czynności serwisowe przy dmuchawie powinny być wykonywane wyłącznie przez wykwalifikowany personel.** Serwisowanie lub konserwacja przez osobę bez odpowiednich kwalifikacji stwarza ryzyko urazów.
- **Podczas serwisowania dmuchawy należy używać wyłącznie części zamiennych identycznych z oryginalnymi.** Należy przestrzegać zaleceń podanych w części Konserwacja w niniejszej instrukcji. Używanie części, które nie zostały zatwierdzone przez producenta lub niestosowanie się do instrukcji dotyczących konserwacji stwarza ryzyko porażenia prądem lub urazów.
- **Nigdy nie należy używać urządzenia w pobliżu ognia lub gorącego popiołu.** Używanie w pobliżu ognia lub popiołu może rozprzestrzenić ogień i doprowadzić do poważnych urazów i/lub strat materialnych.



- **Nigdy nie należy używać dmuchawy do rozprowadzania chemikaliów, nawozów lub jakichkolwiek innych substancji toksycznych.** Rozprowadzanie tych substancji może doprowadzić do ciężkich urazów operatora lub osób postronnych.
- **Dmuchawy z włączonym silnikiem nie należy nigdy ustawiać na jakimkolwiek podłożu innym niż twarde i czyste powierzchnie.** Żwir, piasek i inne odpady mogą zostać wciągnięte przez wlot powietrza i wyrzucone w operatora lub osoby postronne, co może spowodować poważne urazy.
- **Prosimy zachować instrukcję.** Zachęcamy do częstego korzystania z niej. Instrukcja może też posłużyć do przeszkolenia innych osób, które będą używały narzędzia. Jeśli narzędzie zostanie komuś pożyczone, osobie tej należy również udostępnić niniejszą instrukcję, aby zapobiec niewłaściwemu użytkowaniu i możliwym urazom.

INSTRUKCJI NIE NALEŻY WYRZUCAĆ!

SPECYFIKACJA

Napięcie	56V
Prędkość bez obciążenia	Turbo: 23000 /min
	Duża prędkość: 18000 /min
	Mała prędkość: 10000 /min
Objętość powietrza	Turbo: 900 m ³ /h
	Duża prędkość: 675 m ³ /h
	Mała prędkość: 440 m ³ /h
Prędkość powietrza	Turbo: 176 km/h
	Duża prędkość: 136 km/h
	Mała prędkość: 80 km/h
Przybliżony czas działania (z akumulatorem EGO 2,5 Ah)	10 min (Turbo)
	23 min (Duża prędkość)
	75 min (Mała prędkość)
Waga dmuchawy (bez akumulatora)	2,18 kg

PL

Zmierzony poziom mocy akustycznej L_{WA}	97 dB(A) $K_{WA}=2,5$ dB(A)
Poziom ciśnienia akustycznego przy uchu operatora L_{PA}	81,8 dB(A) $K_{PA}=2,5$ dB(A)
Gwarantowany poziom mocy akustycznej L_{WA} (zmierzony zgodnie z dyrektywą 2000/14/WE)	100 dB(A)
Drgania a_h	1,351 m/s ² $K=1,5$ m/s ²

- Deklarowana całkowita wartość drgań została zmierzona zgodnie ze standardowymi metodami testowania i może służyć do porównywania różnych narzędzi.
- Deklarowana całkowita wartość drgań może również służyć do wstępnej oceny narażenia na drgania.

UWAGA: W zależności od sposobu eksploatacji, emisja wibracji podczas faktycznego użytkowania elektronarzędzia może się różnić od wartości deklarowanej. Aby chronić operatora, w rzeczywistych warunkach użytkowania użytkownik powinien nosić rękawice i nauszники ochronne.

LISTA ELEMENTÓW W OPAKOWANIU

NAZWA CZĘŚCI	ILOŚĆ
Dmuchawa	1
Rura nadmuchowa	1
Nasadka płaska do dmuchawy	1
Instrukcja operatora	1

OPIS

ZAPOZNANIE SIĘ Z DMUCHAWĄ (Rys. A)

1. Przycisk wyjmowania akumulatora
2. Uchwyt obtryskiwany
3. Przycisk spustowy
4. Przycisk Turbo
5. Pokrętko regulacji prędkości powietrza
6. Przycisk odblokowujący rurę
7. Rura nadmuchowa
8. Wylot powietrza
9. Wlot powietrza
10. Mechanizm odłączania
11. Szczelina mocująca
12. Styki elektryczne
13. Zatrząsk
14. Mocowanie paska na ramię

126

DMUCHAWA BEZPRZEWODOWA Z BATERIĄ LITOWO-JONOWĄ 56 WOLTÓW — LB5300E

⚠ OSTRZEŻENIE: Bezpieczne używanie tego produktu wymaga zrozumienia informacji podanych na narzędziu oraz w niniejszej instrukcji obsługi. Konieczna jest także znajomość realizowanego projektu. Przed użyciem produktu należy zapoznać się z wszystkimi jego funkcjami oraz z zasadami dotyczącymi bezpieczeństwa.

UŻYTKOWANIE

⚠ OSTRZEŻENIE: Nie wolno dopuść do tego, aby znajomość narzędzia doprowadziła do nieuwagi. Należy pamiętać, że do spowodowania poważnych obrażeń wystarczy zaledwie chwila nieuwagi.

⚠ OSTRZEŻENIE: Nie należy próbować przerabiać urządzenia lub tworzyć akcesoriów, które nie są zalecane do używania w dmuchawie. Wszelkie tego typu zmiany lub modyfikacje są niedozwolone i mogą prowadzić do niebezpiecznych sytuacji oraz poważnych urazów ciała.

⚠ OSTRZEŻENIE: Przed montażem części, regulacją i czyszczeniem oraz gdy produkt nie jest używany należy zawsze wyjąć z niego akumulator. Wyjęcie akumulatora zapobiega przypadkowemu włączeniu, które mogłoby spowodować ciężkie urazy ciała.

Przed każdym użyciem należy skontrolować cały produkt pod kątem ewentualnych uszkodzeń, brakujących lub poluzowanych części takich jak śruby, nakrętki, kołpaki i korki itp. Wszystkie elementy mocujące i kołpaki należy mocno dokręcić. Produktu nie należy włączać do czasu aż wszystkie brakujące lub uszkodzone części nie zostaną wymienione.

ZASTOSOWANIE

Urządzenia można używać wyłącznie do celów podanych poniżej:

- Sprzątanie twardych powierzchni takich jak podjazdy i chodniki.
- Usuwanie z tarasów i podjazdów liści i igieł sosny.

UWAGA: Narzędzia należy używać tylko do celów zgodnych z przeznaczeniem. Wszelkie inne zastosowania uznaje się za niezgodne z przeznaczeniem.

ZAKŁADANIE/ZDEJMOWANIE RURY DMUCHAWY

- **Zakładanie (Rys. B)**
Należy wyrównać względem siebie rowki i wsunąć rurę w obudowę dmuchawy aż da się słyszeć kliknięcie.
- **Zdejmowanie (Rys. C)**
Należy nacisnąć przycisk odblokowujący rurę i wysunąć rurę.

INSTALOWANIE/WYJMOWANIE AKUMULATORA (Rys. D)

Naładować przed pierwszym użyciem.

■ Instalowanie

Należy wyrównać żeberka akumulatora względem szczelin mocujących i wsunąć akumulator do ładowarki aż da się słyszeć kliknięcie.

■ Wyjmowanie

Należy wcisnąć przycisk wyjmowania akumulatora i wysunąć akumulator.

⚠ OSTRZEŻENIE: Gdy użytkownik naciska przycisk wyjmowania akumulatora, należy zawsze uważać na swoje stopy oraz miejsce, w którym znajdują się dzieci i zwierzęta. Upuszczenie akumulatora może doprowadzić do poważnych urazów. NIGDY nie należy wyjmować akumulatora, gdy znajduje się on wysoko.

WŁĄCZANIE/WYŁĄCZANIE DMUCHAWY (Rys. E)

■ Włączanie

Należy wcisnąć i przytrzymać przycisk spustowy. Po krótkiej chwili dmuchawa zacznie pracować.

■ Wyłączanie

Wystarczy zwolnić przycisk spustowy.

REGULACJA PRĘDKOŚCI POWIETRZA

■ Zwiększanie/Zmniejszanie prędkości powietrza

Pokrętle regulacji prędkości należy przekręcać zgodnie z kierunkiem/przeciwnie do kierunku ruchu wskazówek zegara.

■ Dodatkowe zwiększanie prędkości powietrza

Aby uzyskać maksymalną prędkość powietrza, należy nacisnąć przycisk turbo.

UWAGA: Po zwolnieniu przycisku turbo dmuchawa wznawia pracę z wcześniejszą prędkością.

UŻYWANIE DMUCHAWY

- Aby nie rozrzucać śmieci, należy omijać strumieniem powietrza z dmuchawy zewnętrzne krawędzie kupek śmieci. Nigdy nie należy kierować strumienia powietrza bezpośrednio w środek kupki śmieci.
- Aby ograniczyć poziom hałasu, należy ograniczyć liczbę jednocześnie używanych urządzeń.
- Należy używać grabi i mioteł, aby przed użyciem dmuchawy wzruszyć zanieczyszczenia. Przy dużym zapyleniu, o ile tylko jest dostępna woda, dobrze jest lekko zwilżyć sprzątaną powierzchnię.

- Wodę należy oszczędzać: do wielu prac ogrodowych można zamiast węża używać dmuchawy, są to np. sprzątanie rynien, przegród, tarasów, bramek i ogrodów.
- Należy uważać na dzieci, zwierzęta domowe, otwarte okna i świeżo umyte samochody, zanieczyszczenia należy usuwać w bezpiecznej od nich odległości.
- Po zakończeniu używania dmuchaw i innych urządzeń, należy posprzątać. Odpady należy usunąć we właściwy sposób.

KONSERWACJA

⚠ OSTRZEŻENIE: Podczas serwisowania należy używać wyłącznie części zamiennych identycznych z oryginalnymi. Używanie jakichkolwiek innych części stwarza ryzyko i może spowodować usterkę produktu. Aby zagwarantować bezpieczeństwo i niezawodność, wszystkie naprawy powinny być wykonywane przez wykwalifikowanych techników serwisu.

⚠ OSTRZEŻENIE: Aby uniknąć poważnych obrażeń ciała, na czas czyszczenia lub wykonywania prac konserwacyjnych należy zawsze wyjmować z urządzenia akumulator.

KONSERWACJA OGÓLNA

Podczas czyszczenia części plastikowych należy unikać używania rozpuszczalników. Pod wpływem kontaktu z różnego rodzaju rozpuszczalnikami dostępnymi w handlu większość tworzyw może ulec uszkodzeniu. Do usuwania zabrudzeń, kurzu, oleju, smaru itp. należy używać czystych ściereczek.

⚠ OSTRZEŻENIE: Nigdy nie należy dopuszczać do zetknięcia się części plastikowych z substancjami takimi jak płyn hamulcowy, benzyna, produkty ropopochodne, oleje penetrujące itp. Substancje chemiczne mogą uszkodzić, osłabić lub zniszczyć tworzywa, co może w konsekwencji spowodować poważne obrażenia.

PL

PRZECHOWYWANIE

- Z dmuchawy i jej wlotów powietrza należy usunąć wszystkie zanieczyszczenia.
- Narzędzie należy przechowywać w pomieszczeniu, w miejscu niedostępnym dla dzieci. Narzędzie należy chronić przed żrącymi substancjami takimi jak chemia ogrodnicza i sól do usuwania lodu.

Ochrona środowiska



Urządzeń elektrycznych, ładowarki do akumulatorów oraz akumulatorów/baterii akumulatorowych nie należy wyrzucać do zwykłych zmieszanych śmieci domowych!

Zgodnie z dyrektywami Wspólnoty Europejskiej, odpowiednio nr 2012/19/WE i 2006/66/WE, urządzenia elektryczne i elektroniczne nienadające się dłużej do użycia oraz uszkodzone lub zużyte akumulatory/baterie trzeba zbierać oddzielnie i utylizować w sposób bezpieczny dla środowiska.

Wyrzucanie urządzeń elektrycznych na wysypisko grozi wyciekami niebezpiecznych substancji do wód gruntowych i przedostaniem się ich do łańcucha pokarmowego, ze szkodą dla zdrowia i jakości życia użytkownika.

DEKLARACJA ZGODNOŚCI WE



Producent, CHERVON EUROPE LTD.

47 CASTLE STREET, READING, RG1 7SR, UNITED KINGDOM

Oświadczam, że produkt **beprzewodowa dmuchawa z baterią litowo-jonową 56 V LB5300E** spełnia istotne wymagania BHP oraz wymogi wprowadzone następującymi dyrektywami:

2006/42/WE, 2004/108/WE, 2011/65/WE, 2000/14/WE

Normy i specyfikacje techniczne, do których występują odwołania:

EN60335-1, EN50636-2-100, EN62233, EN55014-1, EN55014-2

Zmierzony poziom mocy akustycznej: 97 dB(A).

Gwarantowany poziom mocy akustycznej: 100 dB(A).

Peter Melrose
Wice-prezes Chervon Europe
Europe

Dong Jianxun
Dyrektor ds. jakości Chervon Europe

* (Autoryzowany przedstawiciel CHERVON i osoba odpowiedzialna za dokumentację techniczną)

01/01/2016



ROZWIĄZYWANIE PROBLEMÓW

PROBLEM	PRZYCZYNA	ROZWIĄZANIE
Dmuchawa nie działa.	<ul style="list-style-type: none">■ Akumulator nie jest założony do dmuchawy.■ Dmuchawa i akumulator nie kontaktują.■ Akumulator jest rozładowany.■ Akumulator lub dmuchawa jest zbyt gorący/-a.	<ul style="list-style-type: none">■ Włożyć akumulator do dmuchawy.■ Wyjąć akumulator, sprawdzić styki i założyć akumulator z powrotem.■ Naładować akumulator.■ Ostudzić akumulator i dmuchawę do temperatury poniżej 67°C.
Znaczny spadek prędkości powietrza.	<ul style="list-style-type: none">■ Przeciążenie silnika.■ Wlot powietrza jest zapchana odpadami.	<ul style="list-style-type: none">■ Skontaktować się z punktem serwisowym EGO w celu dokonania naprawy.■ Wyjąć akumulator, wyczyścić/usunąć odpady.

GWARANCJA

POLITYKA GWARANCYJNA EGO

W celu zapoznania się z wszystkimi warunkami polityki gwarancyjnej EGO prosimy odwiedzić stronę egopowerplus.com.

PL

PŘEČTĚTE SI VŠECHNY POKYNY!



PŘEČTĚTE SI A SEZNAMTE SE S NÁVODEM K OBSLUZE

POZNÁMKA: Tyto pokyny musí být k dispozici také v jiném formátu, např. na webových stránkách.

⚠ Zbytkové riziko! Lidé s elektronickými přístroji, jako jsou např. kardiostimulátory, by se měli před použitím tohoto výrobku poradit se svým lékařem. Použití elektrického zařízení v těsné blízkosti kardiostimulátoru může způsobit narušení činnosti nebo poruchu kardiostimulátoru.

⚠ VAROVÁNÍ: Z důvodu bezpečnosti by měl všechny opravy a výměny provádět kvalifikovaný servisní technik.

BEZPEČNOSTNÍ SYMBOLY

Účelem bezpečnostních symbolů je upoutat vaši pozornost k případným nebezpečím. Bezpečnostní symboly a jejich vysvětlení vyžadují vaši zvýšenou pozornost a porozumění. Výstražné symboly samy o sobě nevyklučují žádná nebezpečí. Pokyny a varování nejsou náhradou vhodných opatření pro prevenci úrazů.

⚠ VAROVÁNÍ: Před použitím tohoto nástroje si přečtěte a seznamte se se všemi bezpečnostními pokyny v tomto návodu k obsluze včetně veškerých výstražných symbolů, jako např. „**NEBEZPEČÍ**“, „**VAROVÁNÍ**“ nebo „**UPOZORNĚNÍ**“. Nedodržení níže uvedených pokynů může mít za následek úraz elektrickým proudem, požár a nebo vážná poranění osob.

PREVENCE POŠKOZENÍ A INFORMATIVNÍ ZPRÁVY

Upozorňují uživatele na důležité informace a nebo pokyny, jejichž nedodržení může vést k poškození zařízení nebo jiného majetku. Každou zprávu přechází slovo „**POZNÁMKA**“ jako v následujícím příkladu:

POZNÁMKA: Nedodržení těchto pokynů může vést k poškození zařízení nebo majetku.



⚠ VAROVÁNÍ: Při použití elektrického nářadí může dojít k vymrštění cizích těles do očí, což může způsobit jejich závažné poškození. Před použitím elektrického nářadí si vždy nasadte ochranné brýle, ochranné brýle s bočními kryty nebo v případě potřeby obličejový štít. Na brýle nebo standardní ochranné brýle s bočními kryty doporučujeme použít ochrannou masku.

BEZPEČNOSTNÍ POKYNY

Na této stránce jsou zobrazeny a popsány bezpečnostní symboly, které se mohou objevit na výrobku. Před montáží a provozem si přečtěte, seznamte se a dodržujte veškeré pokyny ke stroji.

	Bezpečnostní upozornění	Bezpečnostní opatření týkající se vaší bezpečnosti.
	Používejte ochranu očí	Vždy noste ochranné brýle, ochranné brýle s bočními kryty nebo obličejový štít při použití tohoto výrobku.
	Používejte chrániče sluchu	Při práci s tímto výrobkem vždy používejte chrániče sluchu.
	Přečtěte si návod k obsluze	Z důvodu snížení rizika úrazu si musí uživatel před použitím tohoto výrobku přečíst a seznámit se s návodem k obsluze.
	Udržujte ostatní osoby v bezpečné vzdálenosti	Udržujte ostatní osoby ve vzdálenosti aspoň 15m.
	Konstrukce třídy II	Dvojitě izolovaná konstrukce.
	Chraňte před vlhkostí	Nepoužívejte ani nechte venku v dešti.
V	Voltů	Napětí
A	Ampérů	Proud
Hz	Hertzů	Frekvence (počet cyklů za sekundu)
W	Wattů	Výkon
min	Minut	Doba
m ³ /h	Metr krychlový za hodinu	Objem vzduchu
km/h	Kilometry za hodinu	Rychlost vzduchu
	Střídavý proud	Druh proudu
	Stejnoseměrný proud	Druh nebo vlastnosti proudu
n ₀	Rychlost při chodu naprázdno	Otáčky při chodu naprázdno
... /min	Za minutu	Otáčky za minutu

Při používání elektrických zařízení je nutno vždy dodržovat základní bezpečnostní opatření, mimo jiné:

OBECNÁ BEZPEČNOSTNÍ VAROVÁNÍ PRO PRÁCI S ELEKTRICKÝM NÁŘADÍM

VAROVÁNÍ: Přečtěte si všechna bezpečnostní varování a pokyny. Nedodržení varování a pokynů může mít za následek úraz elektrickým proudem, požár anebo vážný úraz.

Všetchna varování a pokyny si uschovejte pro budoucí použití.

Termín „elektrické nářadí“ ve varováních odkazuje na vaše elektrické (s kabelem) nebo akumulátorové (bez kabelu) elektrické nářadí.

BEZPEČNOST NA PRACOVÍŠTI

- **Udržujte své pracoviště čisté a zajistěte dostatečné osvětlení.** Zaneřáděné a tmavé prostory bývají častou příčinou úrazů.
- **Elektrické nástroje/přístroje neprovazujte ve výbušném prostředí, jako například s výskytem hořlavých kapalin, plynů nebo prachu.** Elektrické nástroje a přístroje totiž produkují jiskru, která může zapálit prach nebo výpary.
- **Při práci s elektrickým nářadím udržujte děti a ostatní osoby v bezpečné vzdálenosti.** Nesoustředěnost může způsobit ztrátu kontroly.

ELEKTRICKÁ BEZPEČNOST

- **Zástrčky elektrického nářadí musí odpovídat zásuvkám. Zástrčku nikdy nijak neupravujte. S uzemněným elektrickým nářadím nepoužívejte žádné rozbočovací zásuvky.** Neupravené zástrčky a shodné zásuvky snižují riziko úrazu elektrickým proudem.
- **Vyhýbejte se kontaktu s uzemněnými plochami, například trubkami, radiátory, sporáky a lednicemi.** Pokud jste uzemněni, hrozí vám vyšší riziko úrazu elektrickým proudem.
- **Elektrické nářadí chraňte před deštěm a vlhkem.** Voda vnikající do elektrického nářadí zvyšuje riziko úrazu elektrickým proudem.
- **Kabel nepoužívejte k jiným účelům. Nikdy nepoužívejte kabel k přenášení, tahání nebo odpojování elektrického nářadí z elektrické sítě. Kabely chraňte před horkem, olejem, ostrými hranami nebo pohyblivými díly.** Poškozené nebo spletené kabely zvyšují riziko úrazu elektrickým proudem.

- **Pokud používáte elektrické nářadí venku, použijte prodlužovací kabel vhodný pro venkovní použití.** Použití kabelu vhodného pro venkovní použití snižuje riziko úrazu elektrickým proudem.
- **Pokud musíte s elektrickým nářadím pracovat ve vlhkém prostředí, použijte napájení chráněné zemním jističem.** Použití přerušovače zemního obvodu (GFCI) snižuje riziko úrazu elektrickým proudem.

BEZPEČNOST OSOB

- **Zůstaňte pozorní, sledujte, co děláte, a při práci s elektrickým nářadím buďte soudní. Elektrické nářadí nepoužívejte, jste-li unavení, pod vlivem návykových látek, alkoholu nebo léků.** Jediná chvilka nepozornosti při práci s elektrickým nářadím může mít za následek vážný úraz.
- **Používejte osobní ochranné pomůcky. Vždy používejte ochranu očí.** Ochranné pomůcky, jako např. respirátor, protiskluzová bezpečnostní obuv, pevná přilba nebo chrániče sluchu používané ve vhodném prostředí sniží riziko úrazu.
- **Zabraňte neúmyslnému spuštění. Dbejte, aby byl při zapojení do elektrické sítě anebo k akumulátoru, zdvihnutí nebo přenášení elektrického nářadí spínač v poloze vypnuto.** Přenášení elektrického nářadí s prstem na spínači, nebo zapojování elektrického nářadí, které má zapnutý spínač, může snadno způsobit nehodu či úraz.
- **Před zapnutím elektrického nářadí odstraňte stavěcí klíny nebo klíče.** Klíč nebo klín, který zůstane na rotující části elektrického zařízení, může způsobit úraz.
- **Nepřeceňujte své síly. Vždy udržujte pevný postoj a rovnováhu.** Umožní vám to lepší ovládání elektrického nářadí v nečekaných situacích.
- **Používejte vhodný oděv. Nenoste volný oděv ani šperky. Vlasy, oděv a rukavice chraňte před pohyblivými díly.** Volný oděv, šperky nebo dlouhé vlasy se mohou zachytit do pohybujících se dílů.
- **Pokud jsou zařízení vybavena přípojkami pro zařízení k odsávání a sběr prachu, zajistěte, aby tato byla připojena a řádně používána.** Použití zařízení k odsávání prachu může snížit rizika spojená s prachem.

POUŽITÍ A PÉČE O ELEKTRICKÉ NÁŘADÍ

- **Elektrické nářadí nepřetěžujte. K práci používejte vhodné elektrické nářadí.** Správné elektrické nářadí vykoná práci lépe a bezpečněji rychlostí, pro niž je navrženo.
- **Nepoužívejte elektrické nářadí v případě, že vypínač nefunguje.** Jakékoliv elektrické nářadí, které nelze ovládat spínačem, je nebezpečné a musí se opravit.

CZ

- Před prováděním úprav, výměnou příslušenství nebo ukladněním elektrického nářadí odpojte zástrčku od elektrické sítě anebo vyjměte akumulátor. Tato preventivní opatření snižují riziko neúmyslného spuštění elektrického nářadí.
- Nepoužívané elektrické nářadí uchovávejte mimo dosah dětí a nenechte s elektrickým nářadím pracovat osoby, které se neseznámily s elektrickým nářadím nebo těmito pokyny. Elektrické nářadí se v rukou nekvalifikovaných osob stává nebezpečným.
- Údržba elektrického nářadí. Kontrolujte případnou nesouosost nebo ohyb pohyblivých částí, narušení dílů a ostatní podmínky, které mohou ovlivnit provoz elektrického nářadí. V případě poškození nechejte elektrické nářadí před použitím opravit. Řada nehod je způsobena nedostatečně udržovaným elektrickým nářadím.
- Řezné nástroje udržujte ostré a čisté. Řádně udržované řezné nástroje s ostrými řeznými hranami nemají tendenci se ohýbat a snadněji se ovládají.
- Elektrické nářadí, příslušenství, nástavce nástrojů atd. používejte v souladu s těmito pokyny a s přihlédnutím k pracovním podmínkám a vykonávané práci. Používání elektrického nářadí k činnostem, pro které není určeno, může vést k nebezpečným situacím.

POUŽITÍ A PÉČE O AKUMULÁTOROVÉ NÁŘADÍ

- K nabíjení používejte pouze nabíječku doporučenou výrobcem. Nabíječka vhodná pro jeden typ akumulátoru může způsobit požár při použití s jiným typem akumulátoru.
- Elektrické nářadí používejte výhradně se specifikovanými akumulátory. Použití jiných akumulátorů může způsobit riziko úrazu nebo požáru.
- Pokud akumulátor nepoužíváte, uchovávejte jej v bezpečné vzdálenosti od kovových předmětů jako jsou např. kancelářské sponky, mince, klíče, hřebíky, šrouby nebo jiné malé kovové předměty, které mohou propojit jednotlivé póly. Zkrat pólů akumulátoru může způsobit popáleniny nebo požár.
- V nepříznivých podmínkách může dojít k úniku tekutiny z akumulátoru; vyhněte se styku s ní. Pokud dojde k neúmyslnému styku, opláchněte místo vodou. Pokud dojde k zasažení očí, vyhledejte navíc lékařské ošetření. Kapalina unikající z akumulátoru může způsobit podráždění nebo popáleniny.

CZ

SERVIS

- Servis vašeho elektrického nářadí svěřte kvalifikovanému opraváři, který používá pouze originální náhradní díly. Tím zajistíte bezpečnost elektrického nářadí.

PŘED POUŽITÍM TOHOTO VÝROBKU SI PŘEČTĚTE VŠECHNY POKYNY!

ŠKOLENÍ

- Pečlivě si přečtěte tyto pokyny. Seznamte se s ovládacími prvky a správným použitím zařízení.
- Přístroj nesmí používat děti, osoby se sníženým fyzickými, smyslovými nebo duševními schopnostmi nebo s nedostatečnými zkušenostmi a znalostmi nebo osoby, které se neseznámily s těmito pokyny.
- Osoby, které se neseznámily s těmito pokyny, nesmí zařízení používat. Místní předpisy mohou omezovat věk obsluhy.
- Zařízení nikdy nepoužívejte, pokud jsou v blízkosti osoby, zejména děti, nebo domácí zvířata.
- Obsluha nebo uživatel je zodpovědný za nehody nebo ohrožení jiných osob nebo jejich majetku.

PŘÍPRAVA

- Při práci se zařízením vždy noste pevnou obuv a dlouhé kalhoty.
- Nenoste volný oděv nebo šperky, které mohou být vtaženy do přívodu vzduchu. Dlouhé vlasy udržujte v bezpečné vzdálenosti od přívodu vzduchu.
- Při práci používejte ochranné brýle.
- Jako ochranu před podrážděním prachem doporučujeme nosit ochrannou masku.
- Před použitím zkontrolujte, zda nejsou baterie nebo akumulátory poškozené. Zařízení nepoužívejte, pokud jsou baterie nebo akumulátory poškozené.
- Nikdy nepoužívejte zařízení s vadnými ochrannými kryty, štíty nebo bez bezpečnostních zařízení, např. instalovaný sběrač nečistot.

POUŽITÍ

- Odpojte baterie nebo akumulátory:
 1. Kdykoliv od stroje odcházíte,
 2. Před odstraněním překážky,
 3. Před kontrolou, čištěním nebo prací na zařízení,
 4. Pokud začne zařízení neobvykle vibrovat.
- Zařízení používejte pouze za denního světla nebo při dobrém umělém osvětlení.

- Nepřeceňujte své síly a vždy udržujte rovnováhu.
- Ve svahu vždy dbejte na pevný postoj.
- Chodte, nikdy neběhejte.
- Všechny přívody vzduchu udržujte v čistotě.
- Nikdy nefoukejte nečistoty ve směru ostatních osob.
- Doporučujeme používat stroj pouze ve vhodnou dobu – nikdy ne brzy ráno nebo pozdě v noci, kdy by to mohlo ostatní rušit.
- K uvolnění nečistot doporučujeme před foukáním použít hrábě a košťata.
- V prašném prostředí doporučujeme povrch mírně navlhčit, nebo použít rozprašovací nástavec.

VAROVÁNÍ: Nebezpečné rotující části!

- Použijte kompletní nástavec trysky foukače, aby mohl proud vzduchu pracovat blízko u země.
- Stroj nepoužívejte v blízkosti otevřených oken atd.

ÚDRŽBA A SKLADOVÁNÍ

- Řádně utahujte všechny šrouby a matice pro zajištění bezpečného provozního stavu zařízení.
- Často kontrolujte opotřebením nebo poškozením sběrače nečistot.
- Opotřebené nebo poškozené díly vyměňte.
- Používejte pouze originální náhradní díly a příslušenství
- Zařízení skladujte pouze v suchu.

VAROVÁNÍ: Z důvodu bezpečnosti by měl všechny opravy provádět kvalifikovaný servisní technik.

VAROVÁNÍ: Pro snížení rizika vzniku požáru, úrazu elektrickým proudem, nebo úrazu:

**DŮLEŽITÉ
ČTĚTE PEČLIVĚ PŘED POUŽITÍM.
USCHOVEJTE PRO BUDOUCÍ POUŽITÍ.**

- Seznamte se se svým foukačem. Pečlivě si přečtěte návod k obsluze. Seznamte se s použitím foukače, omezeními a také s konkrétním potenciálním nebezpečím ve vztahu k foukači. Dodržování této zásady sníží riziko úrazu elektrickým proudem, vzniku požáru nebo vážného úrazu.
- Foukač chraňte před deštěm a vlhkem. Voda vnikající do foukače zvyšuje riziko úrazu elektrickým proudem.
- Foukač není hračkou pro děti. Děti mohou zařízení používat pouze pod dohledem dospělé osoby.
- Používejte pouze způsobem popsáním v tomto návodu. Používejte pouze výrobcem doporučené příslušenství.

- Pokud foukač nefunguje, jak by měl, upadl, byl poškozen, ponechán venku, nebo spadl do vody zašlete jej do servisního střediska.
- Nedotýkejte se nabíječky, zástrčky ani kontaktů nabíječky mokřima rukama.
- Do otvorů nevkládejte žádné předměty. Nepoužívejte se zakrytými otvory; udržujte otvory bez prachu, chuchvalců, vlasů a dalších nečistot, které by mohly omezit proud vzduchu.
- Udržujte vlasy, volný oděv, prsty a všechny končetiny v bezpečné vzdálenosti od otvorů a pohyblivých částí. Volný oděv, šperky nebo dlouhé vlasy mohou být vtaženy do větracích otvorů.
- Dlouhé vlasy upravte tak, aby nepřesahovaly úroveň ramen a nedošlo k jejich zachycení do pohyblivých částí.
- Při čištění schodů dbejte zvýšené opatrnosti.
- Akumulátor nenabíjejte venku.
- K nabíjení používejte pouze nabíječku dodanou výrobcem.
- Nenechávejte foukač bez dozoru, pokud je v něm vložený akumulátor. Pokud foukač nepoužíváte, nebo provádíte servis, vyjměte akumulátor.
- Foukače neprovazujte ve výbušném prostředí, jako například s výskytem hořlavých kapalin, plynů nebo prachu. Foukače jsou zdrojem jiskření, které může zapálit prach nebo výpary.
- Akumulátorový foukač používejte výhradně se specifikovaným akumulátorem. Použití jiných akumulátorů může způsobit riziko požáru.
- Používejte pouze následující akumulátory a nabíječky:

AKUMULÁTOR	NABÍJEČKA
BA1120E, BA2240E, BA2800, BA3360, BA4200	CH5500E, CH2100E

VAROVÁNÍ:

- Před likvidací vyjměte ze zařízení akumulátor.
- Akumulátor likvidujte bezpečným způsobem.
- Zůstaňte pozorní, sledujte, co děláte, a při práci s foukačem buďte soudní. Foukač nepoužívejte, jste-li unavení, pod vlivem návykových látek, alkoholu nebo léků. Jediná chvilka nepozornosti při práci s foukači může mít za následek vážný úraz.

CZ

- **Zamezte náhodnému spuštění přístroje. Dbejte, aby byl před vložením akumulátoru spínač v zamknuté poloze.** Přenášení foukačů s prstem na spínači, nebo vkládání akumulátoru do foukače, která má zapnutý spínač může snadno způsobit nehodu či úraz.
- **Používejte bezpečnostní zařízení. Vždy používejte ochranu očí.** Ve vhodných podmínkách se musí použít protiprachový respirátor, protiskluzová bezpečnostní obuv, pevná přilba nebo chrániče sluchu.
- **Zařízení nepoužívejte na žebříku, střeše, stromě a jiných nestabilních opěrách.** Stabilní postoj a pevný povrch vám umožní lepší ovládání foukače v nečekaných situacích.
- **Při vyjímání akumulátoru z foukače dávejte pozor na nohy, děti nebo domácí zvířata v okolí. Pokud akumulátor upadne, může dojít k vážnému úrazu. NIKDY nevyjímejte akumulátor ve zdvižené poloze.**
- **Nepoužívejte foukač v případě, že vypínač nezapíná a nevypíná.** Foukač, který nelze ovládat spínačem, je nebezpečný a musí se opravit.
- **Před prováděním úprav, výměnou příslušenství nebo uskladněním vyjměte z foukače akumulátor.** Tato preventivní opatření snižují riziko neúmyslného spuštění foukače.
- **Před vyjmutím akumulátoru vypněte všechny ovládací prvky.**
- **NEPOKOUŠEJTE** se odstranit překážky ze zařízení, aniž byste nejprve vyjmuli akumulátor.
- **Kontrolujte případnou nesouosost nebo ohyb pohybujiících se částí, narušení dílů a ostatní podmínky, které mohou ovlivnit provoz foukače. V případě poškození nechejte foukač před použitím řádně opravit.** Mnoho nehod a úrazů je způsobeno nedostatečně udržovanými foukači.
- **Udržujte foukač a jeho rukojeti suché, čisté, bez oleje a maziva.** Při čištění vždy používejte čistý hadr. K čištění foukače nikdy nepoužívejte brzdové kapaliny, benzin, produkty na bázi ropy nebo silná rozpouštědla. Dodržování této zásady snižuje riziko ztráty kontroly a poškození plastu krytu.
- **Vždy noste ochranné brýle s bočními kryty.** Běžné brýle používejte jen s odolnými skly. NEJEDNÁ se o ochranné brýle. Dodržování této zásady snižuje riziko úrazu oka.
- **Chraňte své plíce. Noste ochrannou masku nebo protiprachový respirátor, pokud je práce prašná.** Dodržování této zásady snižuje riziko vážného úrazu.
- **Chraňte svůj sluch. Při delší práci používejte chrániče sluchu.** Dodržování této zásady snižuje riziko vážného úrazu.
- **Akumulátorové foukače se nemusí zapojovat do elektrické zásuvky; proto jsou vždy v provozním stavu. Nezapomínejte na rizika, pokud akumulátorový foukač nepoužíváte, nebo měníte příslušenství.** Dodržování této zásady snižuje riziko úrazu elektrickým proudem, vzniku požáru nebo vážného úrazu.
- **Noste pevné dlouhé kalhoty, dlouhé rukávy, boty a rukavice.** Nenoste volný oděv nebo šperky, které by se mohly zachytit do pohyblivých částí stroje nebo jeho motoru.
- **Nepoužívejte zařízení, když jste bosí, nebo máte na nohou sandály nebo podobnou lehkou obuv.** Noste ochrannou obuv, která ochrání vaše nohy a vylepší postoj na kluzkém povrchu.
- **V přítomnosti zdroje vznícení, jako je např. hořák, mohou akumulátory vybuchnout.** Z důvodu snížení rizika vážného úrazu nikdy nepoužívejte akumulátorové výrobky v přítomnosti otevřeného ohně. Akumulátor, který vybuchne, může vymrštit úlomky nebo chemické látky. Pokud vás zasáhnou, okamžitě postižené místo omyjte vodou.
- **Udržujte pevný postoj a rovnováhu. Nepřeceňujte své síly.** Přeceňování sil může vést ke ztrátě rovnováhy.
- **Před použitím pracoviště zkontrolujte.** Odstraňte veškeré předměty, jako jsou např. kameny, rozbité sklo, hřebíky, dráty nebo provazy, které mohou být vrženy, nebo se mohou do stroje zaplést.
- **Nemiňte trubici foukače ve směru osob nebo domácích zvířat.**
- **Nikdy jednotku nespouštějte bez instalace správného vybavení.** Vždy dbejte, aby byla instalovaná trubice foukače.
- **Pokud se nepoužívá, měl by se foukač skladovat v interiéru na suchém, bezpečném místě mimo dosah dětí.**
- **Udržujte ostatní osoby, děti a domácí zvířata ve vzdálenosti aspoň 15m.**
- **Servis foukače smí provádět pouze kvalifikovaný opravář.** Servis nebo údržba prováděné nequalifikovanou osobou mohou vést k nebezpečí úrazu.
- **Při opravě foukače používejte pouze originální náhradní díly.** Řiďte se pokyny v části tohoto návodu věnované údržbě. Použití neschválených dílů nebo nedodržení pokynů k údržbě může vyvolat riziko úrazu elektrickým proudem nebo úrazu.
- **Foukač nikdy nepoužívejte v blízkosti ohně nebo horkého popela.** Použití v blízkosti ohně nebo popela může rozšířit oheň a vést v vážnému úrazu anebo poškození majetku.

- **Nikdy nepoužívejte foukač k aplikaci chemických látek, hnojiv nebo jiných toxických látek.** Aplikace těchto látek může vést k vážnému úrazu obsluhy nebo dalších osob.
- **Pokud je motor v chodu, nikdy nepokládejte foukač na žádný povrch s výjimkou tvrdého a čistého povrchu.** Přívod vzduchu může nasát štěrky, písek a další nečistoty a vymrštít je na obsluhu nebo další osoby a způsobit vážný úraz.
- **Tyto pokyny uschovejte pro budoucí použití.** Používejte je často a také k poučení dalších osob, které mohou toto nářadí používat. Pokud nářadí někomu půjčíte, půjčte mu také tento návod k obsluze, aby nedošlo k nesprávnému použití výrobků nebo případně k úrazu.

TYTO POKYNY USCHOVEJTE PRO BUDOUCÍ POUŽITÍ!

SPECIFIKACE

Napětí	56 V
Rychlost při chodu naprázdno	Zvýšený výkon: 23 000 /min
	Vysoké: 18 000 /min
	Nizké: 10 000 /min
Objem vzduchu	Zvýšený výkon: 900 m ³ /h
	Vysoké: 675 m ³ /h
	Nizké: 440 m ³ /h
Rychlost vzduchu	Zvýšený výkon: 176 km/h
	Vysoké: 136 km/h
	Nizké: 80 km/h
Přibližná doba provozu (s 2,5 Ah akumulátorem EGO)	10 min (Zvýšený výkon)
	23 min. (Vysoká rychlost)
	75 min (Nizká rychlost)
Hmotnost foukače (bez akumulátoru)	2,18 kg
Měřená hladina akustického výkonu L _{WA}	97 dB(A) K _{WA} =2,5 dB(A)
Hladina akustického tlaku na sluch obsluhy L _{PA}	81,8 dB(A) K _{PA} =2,5 dB(A)
Zaručená úroveň akustického výkonu L _{WA} (měřeno podle směrnice 2000/14/ES)	100 dB(A)
Víbrace a _h	1,351 m/s ² K=1,5 m/s ²

- Celková deklarovaná hodnota vibrací byla naměřena podle standardní zkušební metody a lze ji použít ke srovnání s jiným nářadím;
- Celkovou deklarovanou hodnotu vibrací lze použít také k předběžnému stanovení expozičních limitů.

POZNÁMKA: Emise vibrací při konkrétním použití elektrického nářadí se mohou lišit od deklarované hodnoty, při které se nářadí používá; z důvodu ochrany provozovatele by měl uživatel ve skutečných pracovních podmínkách nosit rukavice a chrániče sluchu.

OBSAH BALENÍ

NÁZEV DÍLU	MNOŽSTVÍ
Foukač	1
Trubice foukače	1
Plochá tryska foukače	1
Návod k obsluze	1

POPIS

SEZNAMTE SE SE SVÝM FOUKAČEM (obr. A)

1. Tlačítko pro uvolnění akumulátoru
2. Rukojeť s krytem
3. Spoušť
4. Tlačítko zvýšení výkonu
5. Regulátor rychlosti vzduchu
6. Tlačítko pro uvolnění trubice
7. Trubice foukače
8. Výstup vzduchu
9. Přívod vzduchu
10. Uvolňovací mechanismus
11. Instalační drážka
12. Elektrické kontakty
13. Západka
14. Upevnění ramenního popruhu

VAROVÁNÍ: Bezpečné používání tohoto výrobku vyžaduje seznámení s informacemi na nářadí a v tomto návodu k obsluze a také s projektem, na kterém pracujete. Před použitím výrobku se seznáme se všemi provozními funkcemi a bezpečnostními zásadami.

CZ

POUŽITÍ

VAROVÁNÍ: Dbejte, abyste se po seznámení s výrobkem nestali neopatrní. Nezapomínejte, že stačí chvíle nepozornosti a může se stát vážný úraz.

VAROVÁNÍ: Nepokoušejte se výrobek upravovat ani vytvářet příslušenství, které se k tomuto foukači nedoporučuje. Každá taková změna nebo úprava je nesprávná a může vést k nebezpečné situaci, která může zapříčinit vážný úraz.

VAROVÁNÍ: Pokud provádíte montáž dílů, úpravy, čištění nebo foukač dlouhodobě nepoužíváte, vždy vyjměte akumulátor. Vyjmutí akumulátoru zabrání neúmyslnému spuštění, které může způsobit vážný úraz.

Před každým použitím zkontrolujte celý výrobek, zda není poškozen, nechybí nebo nejsou uvolněné žádné díly, jako např. vruty, matice, šrouby, uzávěry atd. Pevně utáhněte všechny upevňovací prvky a uzávěry a výrobek nepoužívejte, dokud se nevymění všechny chybějící nebo poškozené díly.

POUŽITÍ

Výrobek lze použít k následujícím účelům:

- Čištění pevných povrchů, jako např. příjezdových cest a chodníků.
- Udržování ploch a příjezdových cest bez listů a jehličí.

POZNÁMKA: Nářadí se smí používat pouze k vyhrazenému účelu. Jakékoliv jiné použití se považuje za nesprávné.

MONTÁŽ/SEJMUTÍ TRUBICE FOUKAČE

■ Montáž (obr. B)

Srovnejte drážku a tlačte trubici na foukač, dokud neuslyšíte „kliknutí“.

■ Sejmutí (obr. C)

Stiskněte tlačítko pro uvolnění trubice a sejměte ji.

INSTALACE/VYJMUTÍ AKUMULÁTORU (obr. D)

Před prvním použitím akumulátor nabijte.

■ Instalace

Srovnejte žebrovaní akumulátoru s instalačními drážkami a tlačte baterii dokud neuslyšíte „kliknutí“.

■ Vyjmutí

Stiskněte tlačítko pro uvolnění akumulátoru a vytáhněte jej.

VAROVÁNÍ: Při stisku tlačítka pro uvolnění akumulátoru dávejte pozor na nohy, děti nebo domácí zvířata. Pokud akumulátor upadne, může dojít k vážnému úrazu. NIKDY nevyjímejte akumulátor ve zdvižené poloze.

SPUŠTĚNÍ/VYPNUTÍ FOUKAČE (obr. E)

■ Spuštění

Stiskněte spoušť a držte ji. Po krátkém zpoždění se foukač spustí.

■ Zastavení

Uvolněte spoušť.

NASTAVENÍ RYCHLOSTI VZDUCHU

■ Zvýšení/snížení rychlosti vzduchu

Otočte regulátorem rychlosti vzduchu ve směru/proti směru hodinových ručiček.

■ Zvýšení rychlosti vzduchu

Stiskněte tlačítko zvýšení výkonu pro dosažení maximální rychlosti vzduchu.

POZNÁMKA: Jakmile tlačítko zvýšení výkonu uvolníte, vrátí se rychlost foukače na původní hodnotu.

OBSLUHA FOUKAČE

- Aby se nečistoty nerozptýlily, foukejte kolem vnějšího okraje hromady nečistot. Nikdy nefoukejte přímo do středu hromady.
- Chcete-li snížit hladinu hluku, omezte počet kusů použitého vybavení.
- K uvolnění nečistot před foukáním použijte hrábě a košťata. V prašném prostředí povrch lehce navlhčete, pokud máte k dispozici vodu.
- Šetřete vodou a používejte elektrické foukače místo hadic s vodou pro řadu zahradních činností včetně prostor jako jsou např. okapy, zástěny, terasy, grily, verandy a zahrady.
- Dávejte pozor na děti, domácí zvířata, otevřená okna nebo čerstvě umytá auta a foukejte nečistoty bezpečně jiným směrem.
- Po použití foukačů nebo jiného zařízení uklidte! Nečistoty řádně správně zlikvidujte.

ÚDRŽBA

VAROVÁNÍ: Při opravách používejte pouze originální náhradní díly. Použití jiných dílů může být rizikem nebo způsobit poškození výrobku. Z důvodu bezpečnosti by měl všechny opravy provádět kvalifikovaný servisní technik.

VAROVÁNÍ: Aby nedošlo k vážnému úrazu, vždy při čištění nebo jiné údržbě vyjměte z výrobku akumulátor.



=CELKOVÁ ÚDRŽBA

K čištění plastových dílů nepoužívejte rozpouštědla. Většina plastů je náchylná k poškození různými typy komerčních rozpouštědel a jejich použití je může poškodit. K odstranění nečistot, prachu, oleje, maziva atd. použijte čistý hadr.

VAROVÁNÍ: Dbejte, aby nikdy nedošlo ke styku plastových částí s brzdovými kapalinami, benzinem, ropnými produkty, penetračními oleji atd. Chemické látky mohou poškodit, zeslabit nebo poškodit plast, což může vést k vážnému úrazu.

SKLADOVÁNÍ

- Odstraňte všechny nečistoty z přívodu vzduchu foukače.
- Foukač skladujte v interiéru, na místě, které je mimo dosah dětí. Uchovávejte jej v bezpečné vzdálenosti od korozivních látek, jako jsou chemické látky a rozmrazovací soli.

Ochrana životního prostředí



Elektrické zařízení, nabíječku a baterie/ nabíjecí baterie nevhazujte do domovního odpadu!

Podle směrnice Evropského parlamentu a Rady 2012/19/EU se musí odpadní elektrická a elektronická zařízení a podle směrnice 2006/66/ES vadné nebo použité akumulátory/baterie sbírat odděleně a likvidovat ekologicky.

Pokud se elektrická zařízení likvidují na zavážkách nebo skládkách, mohou do podzemní vody prosáknout nebezpečné látky, dostat se do potravního řetězce a poškodit tak vaše zdraví a zdravotní stav.

ES PROHLÁŠENÍ O SHODĚ



My, společnost CHERVON EUROPE LTD.
47 CASTLE STREET, READING, RG1 7SR, UNITED KINGDOM

Prohlašujeme, že výrobek **56V lithium-iontový akumulátorový foukač LB5300E** splňuje základní požadavky na ochranu zdraví a bezpečnost následujících směrnic:

2006/42/ES, 2004/108/ES, 2011/65/EU, 2000/14/ES

Normy a technické specifikace vychází z:

EN60335-1, EN50636-2-100, EN62233, EN55014-1, EN55014-2

Měřená hladina akustického výkonu: 97 dB(A).

Zaručená úroveň akustického výkonu: 100 dB(A).

Peter Melrose
Viceprezident společnosti
Chervon Europe

Dong Jianxun
Manažer kvality společnosti
Chervon

* (Pověřený zástupce společnosti CHERVON odpovědný za technickou dokumentaci)

01/01/2016

CZ



ODSTRAŇOVÁNÍ PROBLÉMŮ

PROBLÉM	PŘÍČINA	ŘEŠENÍ
Foukač nefunguje.	<ul style="list-style-type: none">■ K foukači není připojen akumulátor.■ Bez elektrického kontaktu mezi foukačem a akumulátorem.■ Akumulátor je vybitý.■ Akumulátor foukače je příliš horký.	<ul style="list-style-type: none">■ Nasadte akumulátor na foukač.■ Vyměňte akumulátor, zkontrolujte póly a znovu jej nainstalujte.■ Nabijte akumulátor.■ Chladte akumulátor a foukač, dokud teplota neklesne pod 67 °C.
Rychlost vzduchu se výrazně snižuje.	<ul style="list-style-type: none">■ Nadměrné opotřebení rotoru motoru.■ Přívod vzduchu je zablokovaný nečistotami.	<ul style="list-style-type: none">■ S opravou kontaktujte servisní středisko společnosti EGO.■ Vyměňte akumulátor, odstraňte nečistoty.

ZÁRUKA

ZÁRUKA SPOLEČNOSTI EGO

Úplné záruční podmínky společnosti EGO naleznete na webové stránce egopowerplus.com.

CZ

PREČÍTAJTE SI VŠETKY POKYNY!



**PREČÍTAŤ SI & POCHOPÍŤ
NÁVOD NA OBSLUHU**

POZNÁMKA: Tieto pokyny sú tiež k dispozícii aj v inom formáte, napr. na internetových stránkach.

⚠ Potenciálne riziká! Ľudia s elektronickými zariadeniami, ako sú napríklad kardiostimulátory, sa musia pred použitím tohto výrobku poradiť so svojim lekárom. Použitie elektrických zariadení v tesnej blízkosti kardiostimulátora by mohlo spôsobiť rušenie alebo zlyhanie kardiostimulátora.

⚠ VAROVANIE: Pre zaistenie bezpečnosti a spoľahlivosti je nevyhnutné, aby všetky opravy a výmeny vykonával len kvalifikovaný servisný technik.

BEZPEČNOSTNÉ SYMBOLY

Účelom bezpečnostných symbolov je upozorniť vás na možné nebezpečenstvá. Venujte príslušnú pozornosť a pochopte bezpečnostné symboly a ich vysvetlenia. Varovné symboly, samy o sebe, nedokážu eliminovať nebezpečenstvo. Pokyny a varovania, ktoré obsahujú, nie sú náhradou za vhodné opatrenia na prevenciu úrazov.

⚠ VAROVANIE: Pred použitím tohto nástroja si prečítajte a pochopte všetky bezpečnostné pokyny v tomto návode na obsluhu, vrátane všetkých bezpečnostných výstražných symbolov, ako sú „**NEBEZPEČENSTVO**“, „**VAROVANIE**“ a „**UPOZORNENIE**“. Nedodržanie nižšie uvedených pokynov môže mať za následok úraz elektrickým prúdom, požiar a / alebo vážne zranenie.

PREVENCIA POŠKODENIA A INFORMAČNÉ OZNAMY

Informujú používateľa o dôležitých informáciách a / alebo pokynoch, ktorých nedodržanie by mohlo viesť k poškodeniu zariadenia alebo k iným škodám. Každý oznam predchádza slovo „**POZNÁMKA**“, ako je uvedené v nasledujúcom príklade:

POZNÁMKA: Môže dôjsť k poškodeniu zariadenia a / alebo majetku, ak tieto pokyny nie sú dodržiavané.



⚠ VAROVANIE: Prevádzka akéhokoľvek elektrického náradia môže viesť k vyršteniu cudzích predmetov do vašich očí, čo môže spôsobiť vážne poškodenie zraku. Skôr, ako začnete používať elektrické náradie, si vždy nasadte ochranné okuliare alebo ochranné okuliare s postrannými krytmi a prípadne celotvárový štít. Odporúčame použiť bezpečnostnú masku Wide Vision cez okuliare alebo štandardné bezpečnostné okuliare s postrannými krytmi.

BEZPEČNOSTNÉ POKYNY

Táto strana zobrazuje a popisuje bezpečnostné symboly, ktoré sa objavujú na tomto výrobku. Pred pokusom o zostavenie a prevádzkovanie si prečítajte, pochopte a dodržiavajte všetky pokyny na stroji.

	Bezpečnostné upozornenie	Opatrenia, ktoré sa týkajú vašej bezpečnosti.
	Používajte ochranu zraku.	Pri práci s týmto výrobkom vždy noste ochranné okuliare alebo ochranné okuliare s postrannými krytmi a celotvárový štít.
	Používajte ochranu sluchu.	Pri práci s týmto výrobkom vždy používajte ochranu sluchu.
	Prečítajte si návod na obsluhu.	Ak chcete znížiť riziko zranenia, používateľ musí pred použitím tohto výrobku prečítať a pochopiť návod na obsluhu.
	Udržiavajte okolostojace osoby v bezpečnej vzdialenosti.	Udržiavajte okolostojace osoby vo vzdialenosti aspoň 15m.
	Konštrukcia triedy II	Konštrukcia s dvojitou izoláciou.
	Nevystavujte vlhkosti.	Nepoužívajte v daždi, alebo nenechajte vonku, keď prší.
V	Volt	Napätie
A	Ampéry	Prúd

SK

Hz	Hertz	Frekvencia (cyklov za sekundu)
W	Watt	Výkon
min	Minúty	Čas
m ³ /h	Meter kubický za hodinu	Objem vzduchu
km/h	Kilometre za hodinu	Rýchlosť vzduchu
	Striedavý prúd	Typ prúdu
	Jednosmerný prúd	Typ alebo charakteristika prúdu
n ₀	Rýchlosť bez zaťaženia	Rýchlosť otáčania, bez záťaže
... /min	Za minútu	Otáčky za minútu

Pri používaní elektrického spotrebiča sa musia dodržiavať základné bezpečnostné opatrenia, vrátane nasledovných:

VŠEOBECNÉ BEZPEČNOSTNÉ POKYNY PRE ELEKTRICKÉ NÁRADIE

VAROVANIE: Prečítajte si všetky bezpečnostné varovania a pokyny. Nedodržanie týchto varovaní a pokynov môže spôsobiť úraz elektrickým prúdom, požiar a/alebo vážne zranenie!

Odložte si všetky varovania a pokyny pre budúce použitie.

Termín „elektrické náradie“ vo varovaniach znamená váš elektrický prístroj zapojený (cez kábel) do prívodu elektrickej energie alebo napájaný (bezdrôtovo) z batérie.

BEZPEČNOSŤ PRACOVISKA

- **Udržiavajte pracovisko čisté a dobre osvetlené.** Neporiadok a tmavé priestory vedú k úrazom.
- **Nepoužívajte elektrické náradie vo výbušnom prostredí, napríklad v prítomnosti horľavých kvapalín, benzínu alebo prachu.** Elektrické náradie vytvára iskry, ktoré môžu zapáliť prach alebo výpary.
- **Pri používaní elektrického náradia udržiavajte deti a okolostojace osoby mimo pracoviska.** Pri rozptyľovaní môžete stratiť kontrolu.

ELEKTRICKÁ BEZPEČNOSŤ

- **Pripojovacia zástrčka musí zodpovedať zásuvke. Nikdy neupravujte zástrčku akýmkoľvek spôsobom. Nepoužívajte žiadne rozbočovacie zástrčky s**

uzemneným elektrickým náradím. Neupravené zástrčky a príslušné zásuvky obmedzia nebezpečenstvo úrazu elektrickým prúdom.

- **Zabráňte kontaktu tela s uzemnenými povrchmi, ako sú rúry, radiátory, sporáky a chladničky.** Dochádza k zvýšeniu rizika úrazu elektrickým prúdom, ak je vaše telo uzemnené.
- **Nevystavujte elektrické náradie dažďu alebo vlhkým podmienkam.** Voda vniknutá do elektrického náradia zvyšuje nebezpečenstvo úrazu elektrickým prúdom.
- **Nezaťažujte kábel. Nikdy nepoužívajte kábel na nosenie, ťahanie alebo odpájanie náradia. Udržujte kábel v dostatočnej vzdialenosti od zdrojov tepla, oleja, ostrých hrán alebo pohyblivých častí.** Poškodené alebo zamotané káble zvyšujú riziko úrazu elektrickým prúdom.
- **Ak pracujete s elektrickým náradím vonku, použite predlžovací kábel vhodný na vonkajšie použitie.** Použitie kábla vhodného na vonkajšie použitie znižuje riziko úrazu elektrickým prúdom.
- **Ak je používanie elektrického náradia vo vlhkom prostredí nevyhnutné, použite napájanie chránené uzemneným prúdovým chráničom.** Použitie uzemneného prúdového chrániča znižuje riziko úrazu elektrickým prúdom.

BEZPEČNOSŤ OSÔB

- **Buďte pozorní, sledujte to, čo robíte a používajte zdravý rozum pri práci s elektrickým náradím.** Nepoužívajte elektrické náradie, ak ste unavení alebo pod vplyvom drog, alkoholu alebo liekov. Chvilková nepozornosť pri práci s elektrickým náradím môže mať za následok vážne zranenie.
- **Používajte osobné ochranné pomôcky. Vždy používajte ochranu očí.** Ochranné prostriedky ako respirátor, protišmyková bezpečnostná obuv, prilba alebo chrániče sluchu použité za vhodných podmienok znižujú nebezpečenstvo zranenia.
- **Zabráňte náhodnému spusteniu. Pred pripojením k zdroju napájania a/alebo akumulátoru, pri zdvíhaní alebo prenášaní nástroja sa uistite, že prepínač je vo vypnutej polohe.** Prenášanie náradia s prstom na spínači, alebo prenášanie zapnutého elektrického náradia zvyšuje riziko úrazu.
- **Pred zapnutím elektrického náradia odstráňte akékoľvek nastavovacie nástroje alebo kľúče.** Nástroj alebo kľúč, ktorý zostane pripojený na rotujúcu časť stroja, môže spôsobiť zranenie.
- **Neprečeňujte sa. Pri práci vždy dodržiavajte správny postoj a rovnováhu.** Umožňuje to lepšiu kontrolu elektrického náradia v neočakávaných situáciách.

- **Vhodne sa oblečte. Nenoste šperky alebo voľný odev. Udržujte vlasy, oblečenie a rukavice v dostatočnej vzdialenosti od pohybujúcich sa dielov.** Voľný odev, šperky alebo dlhé vlasy môžu byť zachytené pohybujúcimi sa dielmi.
- **Pokiaľ je náradie vybavené zariadením na zachytávanie prachu a úlomkov materiálu, skontrolujte, či je k náradíu správne pripevnené.** Použitie odsávania prachu môže znížiť nebezpečenstvo, ktoré súvisí s prachom.

POUŽÍVANIE A STAROSTLIVOSŤ O ELEKTRICKÉ NÁRADIE

- **Netlačte na elektrické náradie. Používajte správne náradie na vašu prácu.** Správne elektrické náradie bude pracovať lepšie a bezpečnejšie pri rýchlosti, na ktorú bolo určené.
- **Nepoužívajte elektrické náradie v prípade, že vypínač nie je možné zapnúť a vypnúť.** Akékoľvek elektrické náradie, ktoré sa nedá ovládať vypínačom je nebezpečné a musí sa opraviť.
- **Pred akýmkoľvek nastavením, výmenou príslušenstva alebo pred uložením elektrického náradia odpojte zástrčku od zdroja a/alebo akumulátora.** Tieto preventívne bezpečnostné opatrenia znižujú riziko náhodného spustenia elektrického náradia.
- **Uchovávajte nepoužívané elektronáradie mimo dosahu detí a nedovoľte, aby osoby neoboznámené s elektrickým náradím alebo s týmito pokynmi náradie používali.** Elektrické náradie je nebezpečné v rukách neskúsených používateľov.
- **Starajte sa o elektrické náradie. Skontrolujte nastavenie pohyblivých častí, poškodenie dielov a akékoľvek ďalšie okolnosti, ktoré môžu mať vplyv na funkciu elektrického náradia. Ak je elektrické náradie poškodené, nechajte ho pred použitím opraviť.** Veľa úrazov je zapríčinených zle udržiavaným náradím.
- **Rezacie nástroje udržiavajte ostré a čisté.** Starostlivo ošetrované rezné nástroje s ostrými čepeľami menej pravdepodobne uviaznu a jednoduchšie sa ovládajú.
- **Používajte elektrické náradie, príslušenstvo, násady a pod.** Podľa týchto pokynov s prihliadnutím na pracovné podmienky a prácu, ktorá má byť vykonaná. Použitie elektrického náradia na iné ako určené účely môže viesť k nebezpečným situáciám.

POUŽÍVANIE A STAROSTLIVOSŤ O NÁRADIE NA BATÉRIE

- **Nabíjajte iba nabíjačkou určenou výrobcom.**

Nabíjačka vhodná pre jeden typ akumulátora môže spôsobiť riziko požiaru pri použití s iným akumulátorom.

- **Používajte elektrické náradie iba s výslovné určenými akumulátormi.** Použitie iných akumulátorov môže spôsobiť riziko úrazu a požiaru.
- **Pokiaľ akumulátor nepoužívate, držte ho mimo dosahu kovových predmetov, ako sú kancelárske sponky na papier, mince, kľúče, klince, skrutky alebo ďalšie drobné kovové predmety, ktoré môžu spôsobiť vzájomné skratovanie vývodov.** Skratovanie kontaktov akumulátora môže spôsobiť popáleniny alebo požiar.
- **V nevhodných podmienkach môže kvapalina unikat z batérie. Zabráňte kontaktu. Pri náhodnom kontakte opláchnite vodou. Pri zasiahnutí očí vyhľadajte lekársku pomoc.** Unikajúca kvapalina z akumulátora môže spôsobiť podráždenie pokožky alebo popáleniny.

OPRAVA

- **Nechajte vaše elektrické náradie opraviť kvalifikovanou osobou s použitím iba identických náhradných dielov.** Tým sa zabezpečí, že bezpečnosť stroja zostane zachovaná.

PRED POUŽITÍM TOHTO VÝROBKU SI PREČÍTAJTE VŠETKY POKYNY!

ŠKOLENIE

- **Prečítajte si pozorne tieto pokyny.** Zoznámte sa s ovládacími prvkami a správnym používaním spotrebiča.
- **Nikdy nedovoľte používať stroj deťom, osobám so zníženými fyzickými, zmyslovými alebo duševnými schopnosťami, alebo nedostatkom skúseností a znalostí alebo ľuďom, ktorí nie sú oboznámení s týmito pokynmi.**
- **Nikdy nedovoľte používať stroj ľuďom, ktorí nie sú oboznámení s týmito pokynmi.** Miestne predpisy môžu obmedzovať vek obsluhy.
- **Nikdy nepoužívajte zariadenie, ak sú v blízkosti ľudia, najmä detí, alebo domáce zvieratá.**
- **Obsluha alebo používateľ je zodpovedný za nehody a nepredvídané udalosti voči iným osobám a ich majetku.**

PRÍPRAVA

- **Pri práci so zariadením vždy noste pevnú obuv a dlhé nohavice.**
- **Nenoste voľné oblečenie alebo šperky, ktoré môžu byť vtiahnuté do prívodu vzduchu.** Udržujte dlhé vlasy v bezpečnej vzdialenosti od prívodov vzduchu.
- **Noste ochranné okuliare pri práci.**

SK

- Odporúčame nosenie tvárovej masky, ktorá zabráni podráždeniu na prach.
- Pred použitím skontrolujte batérie alebo akumulátory na poškodenie. Nepoužívajte zariadenie, ak sú batérie alebo akumulátory poškodené.
- Nikdy nepoužívajte prístroj s chybnými ochrannými krytmi alebo štítmí alebo bez nainštalovaných bezpečnostných zariadení, napríklad zachytávača úlomkov.

Používanie

- Odpojte batérie alebo akumulátory
 1. Kedykoľvek opustíte stroj;
 2. Pred odstránením zablokovania;
 3. Pred kontrolou, čistením alebo prácou na zariadení;
 4. V prípade, že prístroj začne nezvyčajne vibrovať.
- Prístroj používajte iba za denného svetla alebo pri dobrom umelom osvetlení.
- Neprečeňujte sa a udržiavajte rovnováhu za všetkých okolností.
- Vždy sa uistite o vašom postoji na svahoch.
- Kráčajte, nikdy nebežte.
- Udržujte všetky vzduchové chladiace prívody bez nečistôt.
- Nikdy nefúkajte nečistoty v smere okolostojacich.
- Odporúčame prevádzkovať stroj len vo vhodnom čase - nie skoro ráno alebo neskoro v noci, keď by ľudia mohli byť vyrušovaní.
- Odporúčame použiť hrable a metly na uvoľnenie nečistôt pred fúkaním.
- Odporúčame mierne navlhčiť povrch v prašnom prostredí alebo použiť hlavný nástavec.

VAROVANIE: Nebezpečenstvo rotujúcich dielov!

- Použite rozširujúcu trysku pre dúchadlo tak, aby prúd vzduchu mohol pracovať blízko pri zemi.
- Nepracujte so strojom v blízkosti otvorených okien a pod.

ÚDRŽBA A SKLADOVANIE

- Udržujte všetky matice a skrutky utiahnuté, aby bol prístroj v bezpečnom prevádzkovom stave.
- Často kontrolujte zberač nečistôt na opotrebenie alebo poškodenie.
- Vymeňte opotrebované alebo poškodené diely.

- Používajte iba originálne náhradné diely a príslušenstvo.
- Prístroj skladujte len na suchom mieste.

VAROVANIE: Pre zaistenie bezpečnosti a spoľahlivosti je nevyhnutné, aby všetky opravy vykonával len kvalifikovaný servisný technik.

VAROVANIE: Ak chcete znížiť riziko požiaru, úrazu elektrickým prúdom alebo poranenia:

DŮLEŽITÉ
PRED POUŽITÍM SI POZORNE PREČÍTAJTE
ODLOŽTE SI PRE BUDÚCU POTREBU.

- Zoznámte sa s vašim dúchadlom. Prečítajte si pozorne návod na použitie. Oboznámte sa s použitím a obmedzeniami dúchadla, rovnako tiež so špecifickými potenciálnymi rizikami, ktoré súvisia s týmto dúchadlom. Dodržiavanie tohto pravidla zníži riziko úrazu elektrickým prúdom, požiaru alebo vážneho úrazu.
- Nevystavujte dúchadlo dažďu alebo vlhkým podmienkam. Voda, ktorá vnikne do dúchadla, zvyšuje nebezpečenstvo úrazu elektrickým prúdom.
- Nedovoľte dúchadlo používať ako hračku. Mimoriadna opatnosť sa vyžaduje, ak sa používa v blízkosti detí.
- Používajte len spôsobom, ktorý je uvedený v tomto návode. Používajte výrobcom odporúčené príslušenstvo.
- Ak dúchadlo správne nefunguje, spadlo, je poškodené, bolo ponechané vonku, alebo spadlo do vody, vráťte ho do servisného strediska.
- Nesiahajte s mokrymi rukami na nabíjačku, vrátane konektora alebo terminálov nabíjačky.
- Nevkladajte žiadne predmety do akýchkoľvek otvorov. Nepoužívajte so žiadnym zablokovaným otvorom; udržiavajte otvory bez prachu, chuchvalcov a vlasov, ktoré by mohli znížiť prúdenie vzduchu.
- Udržujte vlasy, voľné oblečenie, prsty a všetky časti tela mimo otvorov a pohyblivých častí. Voľný odev, šperky alebo dlhé vlasy môžu byť zachytené do vzduchových prívodov.
- Zabezpečte dlhé vlasy nad úrovňou ramien, aby sa zabránilo zachyteniu do pohyblivých častí.
- Pri čistení schodov buďte mimoriadne opatrní.
- Nenabíjajte akumulátor vonku.
- Na dobíjanie používajte iba nabíjačku dodanú výrobcom.

- **Nenechávajte dýchadlo bez dozoru, keď je vložená batéria.** Vyberte batériu, ak sa dýchadlo nepoužíva a pred vykonávaním údržby.
- **Nepoužívajte dýchadlá vo výbušnom prostredí, napríklad v prítomnosti horľavých kvapalín, plynov alebo prachu.** Dýchadlá vytvárajú iskry, ktoré môžu zapáliť prach alebo výpary.
- **Používajte dýchadlo na batérie iba s výslovné určenými akumulátormi.** Použitie iných batérií môže spôsobiť riziko požiaru.
- Používajte iba akumulátory a nabíjačky, ktoré sú uvedené nižšie.

AKUMULÁTOROVÁ BATÉRIA	NABÍJAČKA
BA1120E, BA2240E, BA2800, BA3360, BA4200	CH5500E, CH2100E

VAROVANIE:

- Pred likvidáciou vyberte akumulátor zo spotrebiča.
- Batérie musia byť bezpečne zlikvidované.
- **Buďte pozorní, sledujte to, čo robíte a používajte zdravý rozum pri práci s dýchadlom.** Nepoužívajte dýchadlo, ak ste unavení alebo pod vplyvom drog, alkoholu alebo liekov. Chvilková nepozornosť pri práci s dýchadlami môže mať za následok vážne zranenie.
- **Zabráňte náhodnému spusteniu.** Pred vložením akumulátora sa uistite, že spínač je v uzamknutej alebo vypnutej polohe. Prenášanie dýchadla s prstom na hlavnom vypínači alebo vloženie akumulátora do dýchadla so zapnutým vypínačom môže spôsobiť úraz.
- **Používajte bezpečnostnú výbavu.** Vždy používajte ochranu očí. Masky proti prachu, neklzáva pracovná obuv, prilba alebo ochrana sluchu sa musia použiť v príslušných podmienkach.
- **Nepoužívajte na rebríku, streche, strome alebo v inej nestabilnej podpore.** Stabilné postavenie na pevnom povrchu umožňuje lepšiu kontrolu nad dýchadlom pri neočakávaných situáciách.
- Vždy dávajte pozor na vaše nohy, deti, či zvieratá okolo vás pri vyberaní akumulátora z dýchadla. **Mohlo by dôjsť k vážnemu zraneniu v prípade vypadnutia akumulátora. NIKDY nevyberajte batériu, ak sa nachádzate vo vysokej polohe.**
- **Nepoužívajte dýchadlo v prípade, že vypínač nie je možné zapnúť a vypnúť.** Dýchadlo, ktoré sa nedá ovládať vypínačom, je nebezpečné a musí sa opraviť.
- **Pred akýmkoľvek nastavením, výmenou príslušenstva alebo pred skladovaním dýchadla odpojte akumulátor.** Tieto preventívne bezpečnostné opatrenia znižujú riziko náhodného spustenia dýchadla.
- **Pred vybratím batérie vypnite všetky ovládacie prvky.**
- **NEPOKÚŠAJTE** sa odstraňovať upchania v prístroji bez vybratia batérie.
- **Skontrolujte nastavenie pohyblivých častí, poškodenie dielov a akékoľvek ďalšie okolnosti, ktoré môžu mať vplyv na funkciu dýchadla. Ak je dýchadlo poškodené, nechajte ho pred použitím opraviť.** Veľa úrazov je zapríčinených zle udržiavanými dýchadlami.
- **Udržujte dýchadlo a jeho rukoväť suché, čisté, bez oleja a maziva.** Pri čistení vždy používajte čistú handru. Nikdy nepoužívajte brzdové kvapaliny, benzín, ropné produkty, ani silné rozpúšťadlá na čistenie ventilátora. Dodržiavanie tohto pravidla znižuje riziko straty kontroly a zhoršenia stavu plastového krytu.
- **Vždy používajte ochranné okuliare s postrannými krytmi.** Každodenné okuliare majú iba šošovky, ktoré sú odolné nárazu. NIE sú to ochranné okuliare. Dodržiavanie tohto pravidla znižuje riziko úrazu zraku.
- **Chráňte svoje pľúca. Noste tvárovú alebo protiprachovú masku v prípade, že práca je prašná.** Dodržiavanie tohto pravidla znižuje riziko vážneho úrazu.
- **Chráňte svoj sluch. Používajte ochranu sluchu počas dlhšej doby prevádzky.** Dodržiavanie tohto pravidla znižuje riziko vážneho úrazu.
- **Akumulátorové dýchadla nemusia byť zapojené do elektrickej zásuvky; preto sú vždy v prevádzkovom stave. Buďte si vedomí možných rizík, ak nepoužívate dýchadlo na batérie alebo pri výmene príslušenstva.** Dodržiavanie tohto pravidla znižuje riziko úrazu elektrickým prúdom, požiaru alebo vážneho úrazu.
- **Noste odolné dlhé nohavice, dlhé rukávy, topánky a rukavice.** Nenoste voľné oblečenie alebo šperky, ktoré by sa mohli zachytiť do pohyblivých častí stroja alebo do jeho motora.
- **Neobsluhujte zariadenie naboso, alebo keď máte sandále alebo podobnú ľahkú obuv.** Noste ochrannú obuv, ktorá bude chrániť vaše nohy a zlepši váš postoj na klzkom povrchu.

- **Batérie môžu explodovať v prítomnosti zdroja vznietenia, ako je napríklad kontrolná žiarovka.** Aby sa znížilo riziko vážneho zranenia, nikdy nepoužívajte akýkoľvek akumulátorový výrobok v prítomnosti otvoreného ohňa. Výbuchnutá batéria môže rozprsknúť nečistoty a chemikálie. V prípade zasiahnutia ihneď prepláchnite vodou.
- **Udržujte pevný postoj a rovnováhu. Neprečunujte sa.** Preceňovanie sa môže spôsobiť stratu rovnováhy.
- **Pred každým použitím skontrolujte pracovnú oblasť.** Odstráňte všetky predmety, ako sú kamene, rozbité sklo, klince, drôty, alebo šnúry, ktoré môžu byť odhodnené alebo môžu uviaznuť v stroji.
- **Nemierte výdych dýchadla v smere osôb alebo domácich zvierat.**
- **Nikdy nespúšťajte prístroj bez pripojeného vhodného príslušenstva.** Vždy sa uistite, že je nainštalovaný výdych dýchadla.
- **Keď sa dýchadlo nepoužíva, skladujte ho na suchom a bezpečnom mieste mimo dosahu detí.**
- **Udržujte okolostojace osoby, deti a zvieratá vo vzdialenosti aspoň 15m.**
- **Servisné práce na dýchadle môže vykonávať len kvalifikovaný personál.** Servis alebo údržba, vykonané nekvalifikovaným personálom, môžu mať za následok riziko poranenia.
- **Pri servise dýchadla používajte iba identické náhradné diely.** Postupujte podľa pokynov v kapitole Údržba tohto návodu. Použitie neautorizovaných dielov alebo nedodržanie pokynov na údržbu môže vytvoriť nebezpečenstvo úrazu elektrickým prúdom alebo zranenie.
- **Nikdy nepoužívajte dýchadlo v blízkosti ohňa alebo horúceho popola.** Použitie v blízkosti ohňa alebo popola môže rozšíriť požiar a spôsobiť vážne zranenie a / alebo poškodenie majetku.
- **Nikdy nepoužívajte dýchadlo na rozprašovanie chemikálií, hnojív alebo iných toxických látok.** Rozprašovanie týchto látok môže vyvolať vážne zranenia obsluhy alebo okolostojacich.
- **Nikdy nepokladajte zapnuté dýchadlo na akýkoľvek povrch, okrem tvrdého a čistého povrchu.** Štrk, piesok a iné nečistoty môžu byť nasaté do prívodu vzduchu a vymrštené na obsluhu alebo tretie osoby, čím môže dôjsť k vážnym zraneniam.
- **Odložte si tieto pokyny.** Používajte ich často a poučte o používaní pokynov aj ostatných, ktorí môžu tento nástroj používať. Ak požičiate tento nástroj niekomu inému, požičajte mu aj tieto pokyny, aby sa zabránilo zneužitiu výrobku a prípadným zraneniam.

SK

ODLOŽTE SI TIETO POKYNY!

144

56V LÍTIUM-IÓNOVÉ BEZDRÁTOVÉ DÝCHADLO — LB5300E

TECHNICKÉ ÚDAJE

Napätie	56V
Rýchlosť bez zaťaženia	Zosilnený: 23000 /min
	Vysoký: 18000 /min
	Nízky: 10000 /min
Objem vzduchu	Zosilnený: 900 m ³ /h
	Vysoký: 675 m ³ /h
	Nízky: 440 m ³ /h
Rýchlosť vzduchu	Zosilnený: 176 km/h
	Vysoký: 136 km/h
	Nízky: 80 km/h
Pribl. prevádzková doba (s batériou EGO 2,5Ah)	10 min. (Zosilnený)
	23 min. (Vysoká rýchlosť)
	75 min. (Nízka rýchlosť)
Hmotnosť dýchadla (bez akumulátora)	2,18 kg
Hladina akustického výkonu L _{WA}	97 dB(A) K _{WA} =2,5 dB(A)
Hladina akustického tlaku pri uchu obsluhy L _{PA}	81,8 dB(A) K _{PA} =2,5 dB(A)
Garantovaná hladina akustického výkonu L _{WA} (meraná podľa 2000/14/EC)	100 dB(A)
Vibrácie v _h	1,351 m/s ² K=1,5 m/s ²

- Uvádzaná celková hodnota vibrácií bola meraná v súlade so štandardnou skúšobnou metódou a môže byť použitá na porovnanie jedného zariadenia s iným;
- Uvádzaná celková hodnota vibrácie sa môže použiť aj na predbežný odhad expozície.

POZNÁMKA: Emisia vibrácií pri skutočnom používaní náradia sa môže odlišovať od deklarovanej hodnoty, pri akej sa nástroj používa; Za účelom ochrany obsluhy má používateľ v skutočných podmienkach použitia nosiť rukavice a ochranu sluchu.

OBSAH BALENIA

NÁZOV DIELU	MNOŽSTVO
Dúchadlo	1
Výduch dúchadla	1
Plochá tryska dúchadla	1
Návod na obsluhu	1

POPIS

ZOZNÁMTE SA S VAŠIM DÚCHADLOM (obr. A)

1. Tlačidlo na uvoľnenie batérie
2. Vylisovaná rukoväť
3. Spúšťač
4. Tlačidlo zosilnenia
5. Nastavovací gombík rýchlosti vzduchu
6. Uvoľňovacie tlačidlo výduchu
7. Výduch dúchadla
8. Výstup vzduchu
9. Prívod vzduchu
10. Vysunovací mechanizmus
11. Montážny otvor
12. Elektrické kontakty
13. Západka
14. Uchytenie pre ramenný popruh

VAROVANIE: Bezpečné používanie tohto výrobku vyžaduje pochopenie informácií o nástroji, pochopenie tohto návodu na obsluhu, ako aj znalosti o práci, ktorú sa pokúšate vykonávať. Pred použitím tohto výrobku sa oboznámte so všetkými prevádzkovými funkciami a bezpečnostnými pravidlami.

OBSLUHA

VAROVANIE: Nedovoľte, aby ste sa po zoznámení s týmto výrobkom stali neopatrnými. Zapamätajte si, že zlomok sekundy neopatrnosti postačuje na spôsobenie vážneho poranenia.

VAROVANIE: Nepokúšajte sa upravovať tento výrobok alebo vytvoriť príslušenstvo, ktoré nie je odporúčané na použitie s týmto dúchadlom. Každá takáto zmena alebo modifikácia sa považuje za zneužitie a môže spôsobiť nebezpečný stav, ktorý vedie k možnému vážnemu zraneniu.

VAROVANIE: Vždy vyberte batériu z nástroja pri montáži dielov, vykonávaní úprav, čistení, alebo keď sa nepoužíva. Vybratie akumulátora zabráni náhodnému spusteniu, ktoré by mohlo viesť k vážnemu zraneniu.

Pred každým použitím skontrolujte celý výrobok na poškodené, chýbajúce alebo uvoľnené diely, ako sú skrutky, matice, uzávery atď. Utiahnite všetky upevňovacie prvky a uzávery a nepoužívajte tento výrobok, kým nie sú vymenené všetky chýbajúce alebo poškodené diely.

POUŽITIE

Tento výrobok môžete použiť na nižšie uvedené účely:

- Čistenie tvrdých povrchov, ako sú príjazdové cesty a chodníky.
- Udržiavanie plôch a príjazdových ciest bez listov a ihličia.

POZNÁMKA: Nástroj sa musí používať len na predpísané účely. Každé iné použitie sa považuje za prípad zneužitia.

MONTÁŽ / DEMONTÁŽ VÝDUCHU DÚCHADLA

■ Montáž (obr. B)

Zarovnajete drážku a zatlačíte výduch do krytu dúchadla, kým nebudete počuť „cvaknutie“.

■ Demontáž (obr. C)

Stlačte uvoľňovacie tlačidlo výduchu a vytiahnite ho von.

INŠTALÁCIA / VYBRATIE AKUMULÁTORA (obr. D)

Nabite pred prvým použitím.

■ Inštalácia

Zarovnajete výčnelky na batérii s montážnymi drážkami a zatlačíte akumulátor nadol, kým nebudete počuť „cvaknutie“.

■ Vybratie

Stlačte tlačidlo pre uvoľnenie batérie a vytiahnite ju von.

VAROVANIE: Vždy majte na pamäti umiestnenie vašich nôh, polohu detí, či zvierat pri stlačení tlačidla pre uvoľnenie batérie. Mohlo by dôjsť k vážnemu zraneniu v prípade vypadnutia akumulátora. NIKDY nevyberajte akumulátor, ak sa nachádzate vo vysokej polohe.

SPUSTENIE / ZASTAVENIE DÚCHADLA (obr. E)

■ Spustenie

Stlačte spúšťač a podržte ho. Po krátkej pauze sa dúchadlo rozbehne.

■ Zastavenie

Uvoľnite spúšťač.

NASTAVENIE RÝCHLOSTI VZDUCHU

■ Zvýšenie / zníženie rýchlosti vzduchu

Otočte nastavovací gombík rýchlosti vzduchu v smere hodinových ručičiek / proti smeru hodinových ručičiek.

■ Zosilnenie rýchlosti vzduchu

Stlačením tlačidla zosilnenia dosiahnete maximálnu rýchlosť vzduchu.

POZNÁMKA: Po uvoľnení tlačidla zosilnenia sa rýchlosť vráti na predchádzajúcu rýchlosť.

POUŽÍVANIE DÚCHADLA

- Ak chcete zabrániť rozptyľovaniu nečistôt, fúkajte okolo vonkajšieho okraja hromady odpadu. Nikdy nefúkajte priamo do stredu hromady.
- Ak chcete znížiť hladinu hluku, obmedzte počet kusov zariadení používaných v jednom okamihu.
- Pred fúkaním použite hrable a metly na uvoľnenie nečistôt. V prašných podmienkach ľahko navlhčite povrch, ak je k dispozícii voda.
- Šetrite vodu pomocou vyfukovania namiesto používania hadíc pre mnoho záhradníckych činností, vrátane takých miest, ako sú odkvapy, paravány, terasy, grily, verandy a záhrady.
- Dávajte pozor na deti, domáce zvieratá, otvorené okná alebo čerstvo umyté auta a fúkajte odpad do bezpečnej vzdialenosti.
- Po použití dýchadiel alebo iných zariadení nezabudnite upratať! Zlikvidujte odpad správne.

ÚDRŽBA

VAROVANIE: Pri servise používajte iba identické náhradné diely. Použitie iných častí môže vyvolať nebezpečenstvo, alebo spôsobiť poškodenie výrobku. Pre zaistenie bezpečnosti a spoľahlivosti je nevyhnutné, aby všetky opravy vykonával len kvalifikovaný servisný technik.

VAROVANIE: Pri čistení alebo vykonávaní údržby vždy vyberte batériu z výrobku, aby nedošlo k vážnemu zraneniu.

SK

CELKOVÁ ÚDRŽBA

Na čistenie plastových dielov nepoužívajte rozpúšťadlá. Väčšina plastov je náchylná na poškodenie z rôznych typov komerčných rozpúšťadiel a môžu sa poškodiť, ak sa použijú. Použite čisté handry na odstránenie nečistôt, prachu, oleja, maziva, atď.

VAROVANIE: Nikdy nedovoľte, aby brzdové kvapaliny, benzín, ropné výrobky, penetračné oleje atď., prišli do styku s plastovými časťami. Chemické látky môžu poškodiť, oslabiť alebo zničiť plast, čo môže viesť k vážnemu zraneniu.

USKLADNENIE

- Odstráňte všetky nečistoty zo vzduchových prívodov dýchadla.
- Skladujte vo vnútri na mieste, ktoré je neprístupné deťom. Chráňte pred agresívnymi látkami, ako sú záhradné chemikálie a rozmrazovacie soli.

Ochrana životného prostredia



Nevyhadzujte elektrické zariadenia, nabíjačku batérií a batérie / akumulátory do domového odpadu!

Podľa európskej smernice 2012/19/EU elektrické a elektronické zariadenia, ktoré už nie sú použiteľné a podľa európskej smernice 2006/66/EC chybné alebo použité akumulátory / batérie sa musia zhromažďovať oddelene a zlikvidovať ekologicky správnym spôsobom.

Ak sú elektrické spotrebiče likvidované na neorganizovaných skládkach alebo smetiskách, môžu nebezpečné látky unikať do podzemných vôd, dostať sa do potravinového reťazca a poškodzovať zdravie.



VYHLÁSENIE O ZHODE ES



My, CHERVON EUROPE LTD.

47 CASTLE STREET, READING, RG1 7SR, UNITED KINGDOM

prehlasujeme, že výrobok **56V lítium-iónové akumulátorové dúchadlo LB5300E** spĺňa základné požiadavky na ochranu zdravia a bezpečnosť podľa týchto smerníc:

2006/42/EC, 2004/108/EC, 2011/65/EU, 2000/14/EC

Uvedené normy a technické špecifikácie:

EN60335-1, EN50636-2-100, EN62233, EN55014-1, EN55014-2

Nameraná hladina akustického výkonu: 97 dB(A).

Garantovaná hladina akustického výkonu: 100 dB(A).

Peter Melrose
Viceprezident spoločnosti
Chervon Europe

Dong Jianxun
Manažér kvality spoločnosti
Chervon

* (Autorizovaný zástupca pre spoločnosť Chervon a osoba zodpovedná za technickú dokumentáciu)

01/01/2016

SK



ODSTRÁŇOVANIE PROBLÉMOV

PROBLÉM	PRÍČINA	RIEŠENIE
Dúchadlo nefunguje.	<ul style="list-style-type: none">■ Akumulátor nie je pripojený do dúchadla.■ Žiadny elektrický kontakt medzi dúchadlom a batériou.■ Akumulátor je vybitý.■ Akumulátor alebo dúchadlo sú príliš horúce.	<ul style="list-style-type: none">■ Pripojte akumulátor do dúchadla.■ Vyberte batériu, skontrolujte kontakty a nainštalujte akumulátor.■ Nabite akumulátor.■ Nechajte vychladnúť akumulátor alebo dúchadlo, kým teplota neklesne pod 67 ° C.
Rýchlosť prúdenia vzduchu sa významne znižuje.	<ul style="list-style-type: none">■ Nadmerné opotrebovanie motora dúchadla.■ Prívod vzduchu je zablokovaný nečistotami.	<ul style="list-style-type: none">■ Kontakt servisné stredisko EGO pre opravu.■ Vyberte akumulátor a odstráňte nečistoty.

ZÁRUKA

ZÁRUČNÁ POLITIKA EGO

Navštívte webové stránky egopowerplus.com pre úplné podmienky záručnej politiky spoločnosti EGO.

SK

PERSKAITYKITE VISĄ INSTRUKCIJĄ!



PERSKAITYKITE NAUDOJIMO INSTRUKCIJĄ IR ĮSITIKINKITE, AR JĄ SUPRATOTE

PASTABA. Ši instrukcija taip pat pasiekama kitu formatu, pvz., interneto svetainėje.

⚠️ Liekamoji rizika! Žmonėms, kuriems implantuoti elektroniniai prietaisai, pvz., širdies stimulatoriai, prieš pradėdami naudoti šį gaminį, reikia pasitarti su savo gydytoju (-ais). Arti širdies stimulatoriaus veikianti elektros įranga gali trikdyti širdies stimulatoriaus veikimą arba jį sugadinti.

⚠️ ĮSPĖJIMAS. Norint užtikrinti saugų ir patikimą gaminio naudojimą, visus remonto ir keitimo darbus turi atlikti kvalifikuotas techninės priežiūros specialistas.

SAUGOS SIMBOLIAI

Šių simbolių paskirtis – atkreipti dėmesį į galimus pavojus. Gerai susipažinkite su saugos simboliais bei jų paaiškinimais ir juos įsidėmėkite. Simbolių įspėjimai patys savaime negali apsaugoti nuo pavojų. Jais žymimi nurodymai ir įspėjimai neatstoja tinkamų nelaimingų atsitikimų prevencijos priemonių.

⚠️ ĮSPĖJIMAS. Prieš pradėdami naudoti šį gaminį, perskaitykite visus šioje naudojimo instrukcijoje pateiktus saugos nurodymus, taip pat susipažinkite su visais saugos įspėjamaisiais simboliais, tokiais kaip **PAVOJUS**, **ĮSPĖJIMAS** ir **PERSPĖJIMAS**, ir įsitikinkite, ar juos supratote. Nesilaikant visų toliau išdėstytų nurodymų, galima patirti elektros smūgį, sukelti gaisrą ir (arba) sunkiai susižaloti.

APSAUGOS NUO PAŽEIDIMŲ IR INFORMACINIAI PRANEŠIMAI

Jais naudotojui pateikiama svarbi informacija ir (arba) nurodymai, kurių nesilaikant gali būti padaryta žala įrangai arba kitai nuosavybei. Kiekvieno pranešimo pradžioje yra žodis **PASTABA**, kaip toliau pateiktame pavyzdyje.

PASTABA. Nesilaikant šių nurodymų, gali būti padaryta žala įrangai ir (arba) nuosavybei.



⚠️ ĮSPĖJIMAS. Naudojant bet kokius elektrinius įrankius, į akis gali būti išsviesta svetimkūnių, kurie jas gali sunkiai sužaloti. Prieš pradėdami naudoti elektrinį įrankį, visada užsidėkite apsauginius akinius arba apsauginius akinius su šonine apsauga ir, jei reikia, visą veidą dengiantį skydelį. Rekomenduojame naudoti platų matymo lauką užtikrinančią apsauginę kaukę ant akinių arba standartinius apsauginius akinius su šonine apsauga.

SAUGOS NURODYMAI

Šiame puslapyje pavaizduoti ir aprašyti saugos simboliai, kurių gali būti ant šio gaminio. Prieš bandydami surinkti ir naudoti įrenginį, perskaitykite visus ant jo pateiktus nurodymus, įsitikinkite, ar juos supratote, ir jais vadovaukitės.

	Saugos įspėjimas	Atsargumo priemonės, skirtos užtikrinti jūsų saugumą.
	Užsidėkite apsauginius akinius	Naudodami šį gaminį, visada užsidėkite apsauginius akinius arba apsauginius akinius su šonine apsauga ir visą veidą dengiantį skydelį.
	Užsidėkite apsaugines ausines	Visada užsidėkite apsaugines ausines, kai dirbate su šiuo gaminiumi.
	Perskaitykite naudojimo instrukciją	Kad sumažintų pavojų susižaloti, naudotojas turi perskaityti naudojimo instrukciją ir įsitikinti, kad ją suprato.
	Neleiskite artintis pašaliniais asmenims	Užtikrinkite, kad pašaliniai asmenys būtų bent 15m atstumu.
	II klasės konstrukcija	Dvigubai izoliuota konstrukcija.
	Apsaugokite nuo drėgmės	Nenaudokite lyjant lietui ir nepalikite lauke, kai lyja.
V	Voltas	Įtampa
A	Amperas	Srovė
Hz	Hercas	Dažnis (ciklai per sekundę)

LT

W	Vatas	Galia
min	Minutės	Laikas
m ³ /h	Kubiniai metrai per valandą	Oro debitas
km/h	Kilometrai per valandą	Oro srauto greitis
	Kintamoji elektros srovė	Srovės tipas
	Nuolatinė elektros srovė	Srovės tipas arba charakteristika
n ₀	Sūčiai be apkrovos	Sukimosi greitis, kai nėra apkrovos
... /min	Per minutę	Apsisukimai per minutę

Naudojant elektrinį įrankį, visada reikia imtis svarbiausių atsargumo priemonių, įskaitant nurodytas toliau.

BENDRIEJI SAUGOS NURODYMAI DĖL ELEKTRINIO ĮRANKIO

⚠️ ĮSPĖJIMAS. Perskaitykite visus saugos įspėjimus ir nurodymus. Nesilaikant visų toliau pateiktų įspėjimų ir nurodymų, galima patirti elektros smūgį, sukelti gaisrą ir (arba) sunkiai susižaloti.

Išsaugokite visus įspėjimus ir nurodymus, kad prirėkūs galėtumėte pasižiūrėti.

Įspėjimuose vartojamu terminu „elektrinis įrankis“ nurodomas iš elektros lizdo maitinamas (laidinis) arba akumuliatoriumi maitinamas (akumuliatorinis) elektrinis įrankis.

DARBO VIETOS SAUGA

- **Darbo vieta turi būti švari ir gerai apšviesta.** Netvarkingos ir tamsios vietos dažnai tampa nelaimingų atsitikimų priežastimi.
- **Nedirbkite su elektriniais įrankiais sprogoje aplinkoje, pvz., ten, kur yra degių skysčių, benzino arba dulkių.** Elektriniai įrankiai kibirkščiuoja, o kibirkštys gali uždegti dulkes arba garus.
- **Dirbdami su elektriniu įrankiu, liepkite vaikams ir pašalinams asmenims būti atokiau.** Dėl dėmesį blaškanciu asmenų galite nesuvaldyti įrankio.

APSAUGA NUO ELEKTROS

- **Elektrinio įrankio kištukas turi tikti elektros lizdui.** Niekada jokiū būdu nemođifikuokite kištuko. Įžemintiems elektriniams įrankiams nenaudokite jokių kištukų adapterių. Nemođifikuoti kištukai ir tinkami elektros lizdai sumažina pavojų patirti elektros smūgį.

- **Stenkitės nepriliesti žemintų paviršių, pvz., vamzdžių, radiatorių, viryklių ir šaldytuvų.** Jei įsū kūnas žemintas, kyla didesnis pavojus patirti elektros smūgį.
- **Saugokite elektrinius įrankius nuo lietaus ir drėgmės.** Vandeniui patekus į elektrinį įrankį, padidėja pavojus patirti elektros smūgį.
- **Tinkamai elkitės su maitinimo laidu.** Niekada neneškite ir netempkite elektrinio įrankio, laikydami už maitinimo laido. Netraukite maitinimo laido, norėdami ištraukti kištuką iš elektros lizdo. Maitinimo laidą laikykite atokiau nuo karščio šaltinio, tepalų, aštrių briaunų ir judančių dalių. Pažeidus arba sunarpliojus laidus, kyla didesnis pavojus patirti elektros smūgį.
- **Dirbdami su elektriniu įrankiu lauke, naudokite laukui skirtą ilgintuvą.** Naudojant laukui skirtą maitinimo laidą, sumažėja pavojus patirti elektros smūgį.
- **Jei nėra galimybės išvengti elektrinio įrankio naudojimo drėgnoje vietoje, naudokite maitinimą, apsaugotą su nuotėkio rele.** Nuotėkio relė sumažina pavojų patirti elektros smūgį.

ASMENINĖ SAUGA

- **Dirbdami su elektriniu įrankiu, būkite budrūs, stebėkite ką darote ir vadovaukitės sveika nuovoka.** Nedirbkite su elektriniu įrankiu, jei esate pavargę, apsvaigę nuo narkotinių medžiagų, alkoholio arba vaistų. Neatidumo akimirka dirbant su elektriniu įrankiu gali lemti sunkią traumą.
- **Naudokite asmenines apsaugos priemones.** Visada užsidėkite apsauginius akinius. Tinkamomis sąlygomis naudojamos apsaugos priemonės, pvz., respiratorius, neslidūs apsauginiai batai, šalmas arba ausinės, sumažina pavojų susižaloti.
- **Saugokitės atsitiktinio paleidimo.** Prieš prijungdami prie maitinimo šaltinio ir (arba) akumuliatoriaus, prieš pakeldami arba nešdami įrankį, įsitinkinkite, ar jungiklis yra išjungimo padėtyje. Nešant elektrinius įrankius uždėjus pirštą ant jungiklio arba prijungiant elektrinių įrankių maitinimą, kai jungiklis įjungtas, gali įvykti nelaimingas atsitikimas.
- **Prieš įjungdami elektrinį įrankį, patraukite visus reguliavimo raktus ir veržliarakčius.** Palikus veržliarakčių arba raktų uždėtą ant sukamosios elektrinio įrankio dalies, galima susižaloti.
- **Nepraraskite pusiausvyros.** Visada tvirtai stovėkite ir išlaikykite pusiausvyrą. Taip geriau suvaldysite elektrinį įrankį netikėtose situacijose.

- Tinkamai apsirenkite. Nedėvėkite laisvų drabužių ir nenešiotkite laisvai kabančių papuošalų. Plaukus, drabužius ir pirštines laikykite toliau nuo judamųjų dalių. Judamosios dalys gali įtraukti laisvus drabužius, papuošalus arba ilgus plaukus.
- Jei yra įtaisai, skirti dulkių nusiurbimo ir surinkimo įrenginiams prijungti, tinkamai prijunkite ir naudokite tuos įrenginius. Naudojant dulkių surinkimo įrenginius, gali sumažėti su dulkėmis susijusių pavojų.
- Nenaudojamą akumuliatorių reikia laikyti toliau nuo metalinių daiktų, pvz., sąvaržėlių, monetų, raktų, vinių, varžtų ir kitų smulkių metalinių daiktų, galinčių sujungti akumulatoriaus gnybtus. Įvykus trumpajam jungimui tarp akumulatoriaus gnybtų, galima nudegti ir gali kilti gaisras.
- Dėl netinkamų sąlygų iš akumulatoriaus gali ištekėti skystis – nelieskite jo. Jei netyčia palietėte, nuplaukite vandeniu. Jei skystis pateko į akis, nuplaukite ir kreipkitės medicininės pagalbos. Iš akumulatoriaus ištekėjęs skystis gali dirginti arba nudeginti.

ELEKTRINIO ĮRANKIO NAUDOJIMAS IR PRIEŽIŪRA

- Nesudarykite per didelės apkrovos elektriniam įrankiui. Naudokite atliekamam darbui tinkamą elektrinį įrankį. Veikdamas numatytoju greičiu, tinkamas elektrinis įrankis darba atlieka veiksmingiau ir saugiau.
- Nenaudokite elektrinio įrankio, jei jungiklis jo neįjungia arba neišjungia. Bet koks elektrinis įrankis, kurio jungiklis neveikia, yra pavojingas ir jį būtina sutaisyti.
- Prieš reguliuodami elektrinį įrankį, keisdami jo priedus arba padėdami jį į laikymo vietą, atjunkite kištuką nuo maitinimo šaltinio ir (arba) akumuliatorių nuo įrankio. Tokios prevencinės saugos priemonės sumažina pavojų atsitiktinai įjungti elektrinį įrankį.
- Nenaudojamus elektrinius įrankius laikykite vaikams nepasiekiamoje vietoje. Su elektriniu įrankiu neleiskite dirbti asmenims, nesusipažinusiems su įrankiu arba šia instrukcija. Neapmokytų naudotojų naudojami elektriniai įrankiai kelia pavojų.
- Prižiūrėkite elektrinius įrankius. Patikrinkite, ar judamosios dalys sulygiuotos ir nestringa, ar nėra lūžusių dalių, ar nėra kitų sąlygų, galinčių turėti įtakos elektrinio įrankio veikimui. Jei elektrinis įrankis sugadintas, prieš naudodami, jį sutaisykite. Dauguma nelaimingų atsitikimų įvyksta dėl prastai prižiūrėtų elektrinių įrankių.
- Prižiūrėkite, kad pjovimo įrankiai būtų aštrūs ir švarūs. Tinkamai prižiūrimi pjovimo įrankiai su aštriais ašmenimis rečiau stringa ir lengviau valdomi.
- Elektrinį įrankį, priedus, antgalius ir kitas dalis naudokite pagal šią instrukciją, atsižvelgdami į darbo sąlygas ir atliktiną darbą. Naudojant elektrinį įrankį ne pagal numatytąją paskirtį, gali susidaryti pavojinga situacija.

AKUMULIATORINIO ĮRANKIO NAUDOJIMAS IR PRIEŽIŪRA

- Akumuliatorių įkraukite naudodami tik gamintojo nurodytą įkroviklį. Naudojant įkroviklį, skirtą kitam akumuliatorių tipui, gali kilti pavojus sukelti gaisrą.
- Elektrinius įrankius naudokite tik su jiems skirtais akumulatoriais. Naudojant kitokius akumulatorius, gali kilti pavojus susižaloti ir sukelti gaisrą.

TECHNINĖ PRIEŽIŪRA

- Užtikrinkite, kad techninės priežiūros darbus atliktų kvalifikuotas remonto meistras ir kad būtų naudojamos tik identiškos atsarginės dalys. Taip elektrinis įrankis išliks saugus.

PRIEŠ NAUDODAMI ŠĮ GAMINĮ, PERSKAITYKITE VISĄ INSTRUKCIJĄ!

MOKYMAS

- Atidžiai perskaitykite instrukciją. Susipažinkite su valdikliais ir nurodymais, kaip tinkamai naudoti įrankį.
- Įrenginio niekada neleiskite naudoti vaikams, fizinę, jutimo ar protinę negalią turintiems arba patirties ir žinių neturintiems asmenims, taip pat žmonėms, nesusipažinusiems su šia instrukcija.
- Įrankio niekada neleiskite naudoti žmonėms, nesusipažinusiems su šia instrukcija. Vietiniai teisės aktai gali riboti operatoriaus amžių.
- Niekada nedirbkite su įrankiu, kai netoliese yra žmonių, ypač vaikų, arba augintinių.
- Operatorius arba naudotojas atsako už nelaimingus atsitikimus ir pavojus, keliamus kitiems žmonėms ir jų nuosavybei.

PASIRUOŠIMAS

- Dirbdami su įrankiu, visada avėkite tvirtą avalinę ir vilkėkite ilgus kelnes.
- Nevilkėkite laisvų drabužių ir nenešiotkite laisvai kabančių papuošalų, kurie gali būti įtraukti į oro įsiurbimo angą. Patraukite ilgus plaukus nuo oro įsiurbimo angų.
- Dirbdami užsidėkite apsauginius akinius.
- Kad nedirgintų dulkės, rekomenduojama užsidėti kaukę.
- Prieš naudodami, patikrinkite, ar akumulatorius nepažeistas. Jei akumulatorius pažeistas, įrankio nenaudokite.

- Niekada nenaudokite įrankio, kai saugos priemonės ar skydeliai sugadinti arba kai saugos įtaisai, pvz., šiukšlių rinktuvas, neuždėti.

Naudojimas

■ Atjunkite akumuliatorių:

1. palikdami įrenginį be priežiūros;
2. prieš patraukdami kliūtį;
3. prieš tikrindami, valydami įrankį arba dirbdami prie jo;
4. jei įrankis pradeda neįprastai vibruoti.

- Su įrankiu dirbkite tik dieną arba esant tinkamam dirbtiniam apšvietimui.
- Venkite neįprastos kūno padėties ir visada išlaikykite pusiausvyrą.
- Visada tvirtai atsistokite nuožulniose vietose.
- Eikite ir niekada nebėkite.
- Prižiūrėkite, kad aušinimo angose neprisikauptų šiukšlių.
- Šiukšlių niekada nepūskite pašalinių asmenų link.
- Su įrenginiu rekomenduojama dirbti deramu laiku – ne anksti ryte ir ne vėlai vakare, kai žmonėms gali būti trukdoma.
- Prieš pučiant šiukšles, rekomenduojama pasklaidyti jas grėbliu arba šluota.
- Dulkėtoje aplinkoje rekomenduojama šiek tiek sudrėkinti paviršius arba naudoti miglos purškimo priedą.

▲ ĮSPĖJIMAS. Besisukančios dalys kelia pavojų!

- Pūstuvo antgalis turi būti visiškai ištrauktas, kad oro srautas būtų arti žemės.
- Nedirbkite su įrenginiu arti atvirų langų ir panašių vietų.

TECHNINĖ PRIEŽIŪRA IR LAIKYMAS

- Priveržkite visas varžles, varžtus ir sraigtus, kad įrankį būtų saugu naudoti.
- Dažnai patikrinkite, ar šiukšlių rinktuvas nesusidėvėjęs ir nepradėjęs irti.
- Pakeiskite susidėvėjusias arba pažeistas dalis.
- Naudokite tik originalias atsargines dalis ir priedus.
- Įrankį laikykite tik sausoje vietoje.

- ▲ ĮSPĖJIMAS. Norint užtikrinti saugumą ir patikimumą, visus remonto darbus turi atlikti kvalifikuotas techninės priežiūros specialistas.

▲ ĮSPĖJIMAS. Norėdami sumažinti gaisro, elektros smūgio ir susižalojimo pavojų SVARBU ATIDŽIAI PERSKAITYKITE PRIEŠ NAUDODAMI. PASIDĖKITE, KAD PRIREIKUS GALĖTUMĖTE PASIŽIURĖTI.

- Susipažinkite su elektriniu pūstuvu. Atidžiai perskaitykite naudojimo instrukciją. Susipažinkite su pūstuvo naudojimo būdais ir naudojimo apribojimais, taip pat su galimais pavojais, susijusiais su šiuo pūstuvu. Laikantis šios taisyklės, sumažėja pavojus patirti elektros smūgį, sukelti gaisrą arba sunkiai susižaloti.
- Saugokite pūstuvą nuo lietaus ir drėgmės. Vandeniui patekus į pūstuvą, padidėja pavojus patirti elektros smūgį.
- Neleiskite naudoti pūstuvo kaip žaislo. Kai naudoja vaikai arba kai naudojamas šalia vaikų, reikia atidžiai prižiūrėti.
- Naudokite tik taip, kaip aprašyta šioje instrukcijoje. Naudokite tik gamintojo rekomenduojamus priedus.
- Jei pūstuvus neveikia kaip turėtų, buvo numestas, pažeistas, paliktas lauke arba įmestas į vandenį, pristatykite jį į techninės priežiūros centrą.
- Neimkite įkroviklio, įskaitant įkroviklio kištuką ir gnybtus, šlapiomis rankomis.
- Nekiškite jokių daiktų į jokias angas. Nenaudokite, jei kuri nors anga užsikimšusi. Saugokite, kad angų neužkimštų dulksės, pūkai, plaukai arba kiti nešvarumai, kurie apribotų oro srautą.
- Plaukus, laisvus drabužius, pirštus ir kitas kūno vietas laikykite toliau nuo angų ir judamųjų dalių. Laisvi drabužiai, laisvai kabantys papuošalai arba ilgi plaukai gali būti įtraukti į ventilacijos angas.
- Ilgus plaukus suriškite virš pečių, kad jie neįsinarpliotų į judamąsias dalis.
- Būkite itin atsargūs, kai valote stovėdami ant laiptų.
- Nebandykite įkrauti akumuliatoriaus lauke.
- Akumuliatoriui įkrauti naudokite tik gamintojo pateiktą įkroviklį.
- Nepalikite pūstuvo be priežiūros, kai akumuliatorius įdėtas. Išimkite akumuliatorių, kai pūstuvus nenaudojamas ir prieš atlikdami techninės priežiūros darbus.
- Nedirbkite su pūstuvais sprogoje aplinkoje, pvz., ten, kur yra degiųjų skysčių, dujų arba dulkių. Pūstuvai kibirkščiuoja, o kibirkštys gali uždegti dulkes arba garus.
- Akumuliatorinį pūstuvą naudokite tik su jam skirtu akumuliatoriumi. Naudojant kitokius akumuliatorius, gali kilti pavojus sukelti gaisrą.

- Naudokite tik toliau nurodytus akumulatorius ir įkroviklius.

AKUMULIATORIUS	ĮKROVIKLIS
BA1120E, BA2240E, BA2800, BA3360, BA4200	CH5500E, CH2100E

⚠ ĮSPĖJIMAS.

- Prieš atiduodant įrankį į metalo laužą, būtina išimti akumulatorių.

- Akumulatorių reikia išmesti saugiai.

- **Dirbdami su elektriniu pūstuvu, būkite budrūs, stebėkite ką darote ir vadovaukitės sveika nuovoka. Nedirbkite su pūstuvu, jei esate pavargę, be nuotaikos arba apsvaigę nuo narkotinių medžiagų, alkoholio ar vaistų.** Neatidumo akimirka dirbant su pūstuvais gali lemti sunkią traumą.
- **Saugokitės atsitiktinio paleidimo. Prieš įdėdami akumulatorių, įsitikinkite, ar jungiklis nustatytas į užfiksuojamąją arba išjungimo padėtį.** Nešant pūstuvus uždėjus pirštą ant jungiklio arba įdedant akumulatorių į pūstuvą, kai jungiklis įjungtas, gali įvykti nelaimingas atsitikimas.
- **Naudokite apsaugos priemones. Visada užsidėkite apsauginius akinius.** Tam tikromis sąlygomis būtina naudoti respiratorių, neslidžius apsauginius batus, šalną arba ausines.
- **Nenaudokite stovėdami ant kopėčių, stogo, medyje arba ant kito nestabilaus paviršiaus.** Stabili stovėseną ant tvirto paviršiaus leidžia geriau suvaldyti pūstuvą netikėtose situacijose.
- Kai išimate akumulatorių iš pūstuvo, visada saugokite savo kojas ir netoliese esančius vaikus arba augintinius. **Krisdamas akumulatorius gali sunkiai sužaloti. NIEKADA nebandykite išimti akumulatoriaus, kai įrankis yra aukštai.**
- **Nenaudokite pūstuvo, jei jungiklis jo neįjungia arba neišjungia.** Pūstuvą, kurio jungiklis neveikia, yra pavojingas ir jį būtina sutaisyti.
- **Prieš reguliuodami pūstuvą, keisdami jo priedus arba padėdami jį į laikymo vietą, atjunkite akumulatorių nuo pūstuvo.** Tokios prevencinės saugos priemonės sumažina pavojų atsitiktinai įjungti pūstuvą.
- **Prieš išimdami akumulatorių, išjunkite visus valdiklius.**
- **NEBANDYKITE** pašalinti įrankyje susidariusių kamščių, pirmiau neišėmę akumulatoriaus.
- **Patikrinkite, ar judamosios dalys sulgyjuotos ir nestringa, ar nėra lūžusių dalių, ar nėra kitų sąlygų,**

galinčių turėti įtakos pūstuvo veikimui. Jei pūstuvą sugadintas, prieš naudodami, jį sutaisykite. Dauguma nelaimingų atsitikimų įvyksta dėl prastai prižiūrimų pūstuvų.

- **Pasirūpinkite, kad pūstuvą ir jo rankena būtų sausi, švarūs ir nesutepti alyva arba tepalu.** Visada valykite švaria šluoste. Pūstuvo niekada nevalykite stabdžių skysčiu, benzinu, naftos produktais arba stipriais tirpikliais. Laikantis šios taisyklės, sumažėja pavojus nesuvaldyti įrankio, nesuyra plastikinis korpusas.
- **Visada užsidėkite apsauginius akinius su šonine apsauga.** Įprasti akiniai turi tik smūgiams atsparius lęšius. Tai NĖRA apsauginiai akiniai. Laikantis šios taisyklės, sumažėja pavojus susižaloti akis.
- **Saugokite plaučius. Jei dirbant kyla daug dulkių, užsidėkite kaukę arba respiratorių.** Laikantis šios taisyklės, sumažėja pavojus sunkiai susižaloti.
- **Saugokite klausos organus. Kai dirbate ilgą laiką, užsidėkite apsaugines ausines.** Laikantis šios taisyklės, sumažėja pavojus sunkiai susižaloti.
- **Akumulatorinių pūstuvų nereikia jungti į elektros lizdą, todėl jie visada paruošti naudoti. Atkreipkite dėmesį į galimus pavojus, kai nenaudojate akumulatorinio pūstuvo arba kai įkraunate priedus.** Laikantis šios taisyklės, sumažėja pavojus patirti elektros smūgį, sukelti gaisrą arba sunkiai susižaloti.
- **Vilkėkite tvirtas ilgas kelnes, marškinius ilgomis rankovėmis, avėkite batus ir mūvėkite pirštines.** Venkite laisvų drabužių ir laisvai kabančių papuošalų, kuriuos gali įtraukti įrenginio judamosios dalys arba variklis.
- **Nedirbkite su įrenginiu, būdami basi, avėdami sandalus arba panašią lengvą avalynę.** Avėkite apsauginę avalynę, kuri apsaugo kojas ir leidžia tvirtai stovėti ant slidaus paviršiaus.
- **Akumulatoriai gali sprogti, jei netoliese yra uždegimo šaltinis, pvz., dujų degiklis.** Siekdami sumažinti pavojų sunkiai susižaloti, niekada nenaudokite jokių akumulatorinių gaminių prie atviros liepsnos. Sproguos akumulatoriui, gali pasklisti nuolaužos ir chemikalai. Jei taip nutiktų, tas vietas nedelsdami nuplaukite vandeniu.
- **Tvirtai stovėkite ir išlaikykite pusiausvyrą. Nepraraskite pusiausvyros.** Neįprastai pasikreipę galite prarasti pusiausvyrą.
- **Kaskart prieš naudodami, patikrinkite darbo vietą.** Pašalinkite visus daiktus, pvz., akmenis, stiklo duženas, vinis, vielas arba virveles, kuriuos įrenginys gali išsviesti arba kurie gali įstrigti įrenginyje.
- **Nenukreipkite pūstuvo vamzdžio į žmones arba augintinius.**

LT

- **Niekada nenaudokite nepritvirtinę reikiamos įrangos.** Visada būtinai pritvirtinkite pūstuvo vamzdį.
- **Nenaudojamą pūstuvą reikia laikyti patalpoje, sausoje, saugioje ir vaikams nepasiekiamoje vietoje.**
- **Užtikrinkite, kad pašaliniai asmenys, vaikai ir augintiniai būtų bent 15m atstumu.**
- **Pūstuvo remonto darbus turi atlikti tik kvalifikuoti remonto meistrai.** Jei remonto arba techninės priežiūros darbus atlieka nekvalifikuoti asmenys, kyla pavojus susižaloti.
- **Atlikdami pūstuvo techninės priežiūros darbus, naudokite tik identišką atsargines dalis.** Vadovaukitės nurodymais, pateiktais šios naudojimo instrukcijos techninės priežiūros skyriuje. Naudojant neoriginalias dalis arba nesilaikant techninės priežiūros nurodymų, gali kilti pavojus patirti elektros smūgį arba susižaloti.
- **Niekada nenaudokite pūstuvo arti ugnies arba karštų pelenų.** Naudojant arti ugnies arba pelenų, gali išplisti ugnis ir galima sunkiai susižaloti ir (arba) padaryti žalą nuosavybei.
- **Pūstuvo niekada nenaudokite chemikalams, trašoms arba kitokioms nuodingoms medžiagoms paskleisti.** Paskleidus tokias medžiagas, gali būti sunkiai sužalotas operatorius arba pašaliniai asmenys.
- **Kai pūstuvo variklis paleistas, pūstuvą galima padėti tik ant tvirto švaraus paviršiaus.** Žvyras, smėlis ir kitos šiukšlės gali būti įtraukti į oro įsiurbimo angą ir išsviesti į operatorių arba pašalinius asmenis, kurie gali būti sunkiai sužaloti.
- **Išsaugokite šią instrukciją.** Dažnai ją pavartykite ir naudokitės ja mokydami kitus asmenis, kurie gali naudoti šį įrenginį. Jei šį įrenginį kam nors skolinatė, taip pat paskolinkite šią instrukciją, kad kitas asmuo tinkamai naudotų šį gaminį ir nesusižalotų.

IŠSAUGOKITE ŠIĄ INSTRUKCIJĄ!

SPECIFIKACIJA

Įtampa	56 V
Sūkliai be apkrovos	Pastiprinto pūtimo: 23 000 /min
	Dideli: 18 000 /min
	Maži: 10 000 /min

LT

Oro debitas	Pastiprinto pūtimo: 900 m³/h
	Dideli: 675 m³/h
	Maži: 440 m³/h
Oro srauto greitis	Pastiprinto pūtimo: 176 km/h
	Dideli: 136 km/h
	Maži: 80 km/h
Apytikslė veikimo trukmė (su EGO 2,5 Ah akumuliatoriumi)	10 min (pastiprintas pūtimas)
	23 min (dideli sūkliai)
	75 min (maži sūkliai)
Pūstuvo svoris (be akumulatoriaus)	2,18 kg
Išmatuotas garso galios lygis L _{WA}	97 dB(A) K _{WA} = 2,5 dB(A)
Garso slėgio lygis ties operatoriaus ausimi L _{PA}	81,8 dB(A) K _{PA} = 2,5 dB(A)
Garantuojamas garso galios lygis L _{WA} (išmatuotas pagal 2000/14/EB)	100 dB(A)
Vibracija a _h	1,351 m/s² K = 1,5 m/s²

- Nurodyta bendroji vibracijos vertė išmatuota taikant standartinį bandymo metodą, todėl pagal ją galima palyginti skirtingus įrenginius.
- Nurodytą bendrąją vibracijos vertę taip pat galima naudoti pirminiam poveikio vertinimui.

PASTABA. Naudojant įrenginį realiomis sąlygomis, skleidžiamos vibracijos stiprumo vertė gali skirtis nuo nurodytos. Kad apsaugotų dirbdamas realiomis sąlygomis, naudotojas turi mūvėti pirštines ir naudoti ausų apsaugos priemones.

PAKUOTĖS TURINIO SĄRAŠAS

DALIES PAVADINIMAS	SKAIČIUS
Pūstuvas	1
Pūstuvo vamzdis	1
Plokščias pūstuvo antgalis	1
Naudojimo instrukcija	1

APRAŠAS

PAŽINKITE PŪSTUVĄ (A pav.)

1. Akumulatoriaus atlaisvinimo mygtukas
2. Užlietoji rankena
3. Gaidukas
4. Pastiprinto pūtimo mygtukas
5. Oro srauto greičio reguliavimo rankenėlė
6. Vamzdžio atlaisvinimo mygtukas
7. Pūstuvo vamzdis
8. Oro išėjimo anga
9. Oro įsiurbimo anga
10. Išstūmimo mechanizmas
11. Tvirtinimo griovelis
12. Elektros kontaktai
13. Užraktas
14. Perpetinio diržo laikiklis

⚠️ ĮSPĖJIMAS. Norint saugiai naudoti šį gaminį, reikia suprasti informaciją apie įrankį ir šią naudojimo instrukciją, taip pat išmanyti atliekamą darbą. Prieš naudodami šį gaminį, susipažinkite su visomis naudojimo ypatybėmis ir saugos taisyklėmis.

NAUDOJIMAS

⚠️ ĮSPĖJIMAS. Net ir susipažinę su šiuo gaminiu, būkite atsargūs. Atminkite, kad net ir sekundės dalį trunkantis neatsargumas gali lemti sunkų sužalojimą.

⚠️ ĮSPĖJIMAS. Nebandykite modifikuoti šio gaminio arba sukurti priedų, nerekomenduojamų naudoti su šiuo pūstuvu. Visi tokie pakeitimai ir modifikacijos laikomi netinkamu naudojimu. Jie gali lemti pavojingas aplinkybes, dėl kurių galima sunkiai susižaloti.

⚠️ ĮSPĖJIMAS. Visada išimkite akumuliatorių iš gaminio, kai montuojate dalis, reguliuojate, valote arba nenaudojate gaminio. Išėmę akumuliatorių, išvengsite atsitiktinio paleidimo, kuris gali lemti sunkų sužalojimą.

Kaskart prieš naudodami, apžiūrėkite visą gaminį – ar nėra pažeistų, trūkstatų arba atsilaisvinusių dalių, pvz., sraigčių, varžlių, varžtų, dangtelių ir t. t. Tvirtai priveržkite visus fiksatorius bei dangtelius ir nenaudokite gaminio, kol nepakeisite trūkstatų arba pažeistų dalių.

PASKIRTIS

Šį gaminį galima naudoti šiais tikslais:

- tvirtiems paviršiams, pvz., įvažiavimams ir takams, valyti;

- lapams bei pušų spygliams pašalinti nuo aikštelių ir įvažiavimų.

PASTABA. Šį įrankį reikia naudoti tik pagal nurodytą paskirtį. Naudojimas bet koku kitu tikslu laikomas netinkamu naudojimu.

PŪSTUVO VAMZDŽIO UŽDĖJIMAS / NUĖMIMAS

■ Uždėjimas (B pav.)

Sulygiuokite griovelį ir stumkite vamzdį į pūstuvo korpusą tol, kol išgirsite spragtelėjimą.

■ Nuėmimas (C pav.)

Paspauskite vamzdžio atlaisvinimo mygtuką ir ištraukite vamzdį.

AKUMULATORIAUS ĮDĖJIMAS / IŠĖMIMAS (D pav.)

Prieš naudodami pirmą kartą, įkraukite.

■ Įdėjimas

Sulygiuokite akumulatoriaus briaunas su tvirtinimo grioveliais ir spauskite akumuliatorių žemyn tol, kol išgirsite spragtelėjimą.

■ Išėmimas

Paspauskite akumulatoriaus atlaisvinimo mygtuką ir ištraukite akumuliatorių.

⚠️ ĮSPĖJIMAS. Prieš paspausdami akumulatoriaus atlaisvinimo mygtuką, visada atkreipkite dėmesį į savo kojas, vaikų ir augintinių buvimo vietą. Krisdamas akumulatorius gali sunkiai sužaloti. NIEKADA nebandykite išimti akumulatoriaus, kai įrankis yra aukščiau.

PŪSTUVO PALEIDIMAS / IŠJUNGIMAS (E pav.)

■ Paleidimas

Paspauskite ir laikykite paspaudę gaiduką. Netrukus pūstuvus pradės veikti.

■ Išjungimas

Atleiskite gaiduką.

ORO SRAUTO GREIČIO REGULIAVIMAS

■ Oro srauto greičio padidinimas / sumažinimas

Pasukite oro srauto greičio reguliavimo rankenėlę pagal / prieš laikrodžio rodyklę.

■ Oro srauto pastiprinimas

Paspauskite pastiprinto pūtimo mygtuką, kad oro srauto greitis būtų didžiausias.

PASTABA. Atleidus pastiprinto pūtimo mygtuką, pūstuvus veikia pirmiau nustatytu greičiu.

PŪSTUVO NAUDOJIMAS

- Kad neišsklaidytumėte šiukšlių, pūskite palei šiukšlių krūvos išorinius kraštus. Niekada nepūskite tiesiai į šiukšlių krūvos vidurį.
- Norėdami sumažinti triukšmo lygį, tuo pat metu naudokite mažiau įrenginių.
- Prieš pūsdami šiukšles, pasklaidykite jas grėbliu arba šluota. Jei įmanoma, dulketoje aplinkoje šiek tiek sudrėkinkite paviršius vandeniu.
- Daugeliui vejos ir sodo priežiūros darbų, įskaitant nutekamųjų latakų, tinklelių, vidinio kiemo, kepsninių, priėngių ir sodų priežiūrą, vietoje vandens žarnos naudokite elektrinius pūstuvus, kad taupytumėte vandenį.
- Būkite atsargūs, kai netoliese yra vaikų, augintinių, atvirų langų arba ką tik nuplautų automobilių, ir šiukšles nupūskite atsargiai.
- Panaudoję pūstuvą arba kitą įrangą, ją nuvalykite! Šiukšles tinkamai išmeskite.

TECHNINĖ PRIEŽIŪRA

⚠️ ĮSPĖJIMAS. Atlikdami techninės priežiūros darbus, naudokite tik identiškas atsargines dalis. Naudojant bet kokias kitas dalis, gali kilti pavojus arba sugesti gaminys. Norint užtikrinti saugumą ir patikimumą, visus remonto darbus turi atlikti kvalifikuotas techninės priežiūros specialistas.

⚠️ ĮSPĖJIMAS. Visada išimkite akumuliatorių iš gaminio prieš jį valydami arba prieš atlikdami jo techninės priežiūros darbus, kad išvengtumėte pavojaus sunkiai susižaloti.

BENDROJI TECHNINĖ PRIEŽIŪRA

Plastikinių dalių nevalykite tirpikliais. Įvairūs komerciniai tirpikliai gali pažeisti daugelį plastikų ir neturėtų būti naudojami, nes gali sugadinti gaminį. Purvą, dulkes, tepalus, riebalus ir panašius nešvarumus valykite švariomis šluostėmis.

⚠️ ĮSPĖJIMAS. Jokiu būdu neleiskite stabdžių skysčiui, benzinui, naftos produktams, skvarbiai alyvai ir panašioms medžiagoms patekti ant plastikinių dalių. Chemikalai gali sugadinti, susilpninti arba suardyti plastiką. Dėl to galite sunkiai susižaloti.

LAIKYMAS

- Nuvalykite visas pašalines medžiagas nuo pūstuve esančių oro įsiurbimo angų.

- Laikykite patalpoje, vaikams nepasiekiamoje vietoje. Laikykite toliau nuo edančiųjų medžiagų, pvz., sodo chemikalų ir druskų ledui tirpdyti.

Aplinkos apsauga



Neišmeskite elektros įrangos, akumuliatorių, įkroviklio ir baterijų / akumuliatorių su buitiniemis atliekomis!

Pagal Europos Parlamento ir Tarybos direktyvas 2012/19/EB ir 2006/66/EB nenaudojama elektros bei elektronikos įranga ir nenaudojami arba sugedę akumuliatoriai ir (arba) baterijos turi būti surenkami atskirai ir išmetami aplinkai nekenkiančiu būdu.

Jei elektriniai prietaisai išmetami į užkasamuosius arba atvirose sąvartynuose, kenksmingos medžiagos gali prisiskusti iki gruntinio vandens, patekti į mitybos grandinę ir kenkti jūsų sveikatai bei gerovei.

EB ATITIKTIES DEKLARACIJA

Mes, CHERVON EUROPE LTD.

47 CASTLE STREET, READING, RG1 7SR, UNITED KINGDOM
pareiškiamo, kad gaminys – **akumuliatorinis pūstuvas LB5300E su 56 V ličio jonų akumuliatoriumi** – atitinka esminius sveikatos ir saugos reikalavimus, išdėstytus šiose direktyvose:

2006/42/EB, 2004/108/EB, 2011/65/ES, 2000/14/EB

Standartai ir techninės specifikacijos, kuriais remiamasi:

EN60335-1, EN50636-2-100, EN62233, EN55014-1, EN55014-2

Išmatuotas garso galios lygis: 97 dB(A).

Garantuojamas garso galios lygis: 100 dB(A).

Peter Melrose
„Chervon Europe“ viceprezidentas

Dong Jianxun
„Chervon“ kokybės vadovas

* (CHERVON) įgaliotasis atstovas ir už techninę dokumentaciją atsakingas asmuo)

01/012016

TRIKČIŲ ŠALINIMAS

PROBLEMA	PRIEŽASTIS	SPRENDIMAS
Pūstuvus neveikia.	<ul style="list-style-type: none">■ Akumuliatorius neprijungtas prie pūstuvo.■ Nėra elektrinio kontakto tarp pūstuvo ir akumulatoriaus.■ Akumuliatorius visiškai išsekęs.■ Akumuliatorius arba pūstuvus pernelyg įkaitęs.	<ul style="list-style-type: none">■ Prijunkite akumuliatorių prie pūstuvo.■ Išimkite akumuliatorių, patikrinkite kontaktus ir vėl įdėkite akumuliatorių.■ Įkraukite akumuliatorių.■ Atvėsinkite akumuliatorių, kad jo temperatūra nukristų žemiau 67 °C.
Oro srauto greitis labai sumažėjo.	<ul style="list-style-type: none">■ Pernelyg susidėvėjęs variklio ventiliatorius.■ Šiukšlės užkimšo oro įsiurbimo angą.	<ul style="list-style-type: none">■ Kreipkitės į EGO techninės priežiūros centrą, kad sutaisytų.■ Išimkite akumuliatorių ir nuvalykite šiukšles.

GARANTIJA

EGO GARANTINIS POLISAS

Norėdami sužinoti visas EGO garantinio poliso sąlygas, apsilankykite interneto svetainėje egopowerplus.com.

IZLASIET VISAS INSTRUKCIJAS!



IZLASIET UN IZPROTIET LIETOŠANAS ROKASGRĀMATU

PIEZĪME: Šīs instrukcijas ir pieejamas arī citā veidā, piemēram, tīmekļa vietnē.

⚠ Atlikušais risks! Cilvēkiem ar elektroniskām ierīcēm, piemēram, elektrokardiostimulatoru, pirms šī produkta lietošanas jākonsultējas ar savu(-iem) ārstu(-iem). Elektrisko iekārtu darbība elektrokardiostimulatora tuvumā var izraisīt tā darbības traucējumus vai apstāšanos.

⚠ BRĪDINĀJUMS: Lai garantētu drošību un uzticamību, visi remontdarbi un detaļu maiņas darbi jāveic kvalificētam servisa speciālistam.

DROŠĪBAS SIMBOLI

Drošības simbolu mērķis ir piesaistīt jūsu uzmanību iespējamām briesmām. Lūdzu, rūpīgi izpētiet un izprotiet drošības simbolus un to skaidrojumus. Brīdinājumu simboli paši par sevi nenovērš nekādu apdraudējumu. To sniegtie norādījumi un brīdinājumi neaizstāj īstus negadījumu novēršanas pasākumus.

⚠ BRĪDINĀJUMS: Noteikti izlasiet un izprotiet visus drošības norādījumus šajā ekspluatācijas rokasgrāmatā, ieskaitot visus drošības brīdinājuma simbolus, kā "BĪSTAMI", "BRĪDINĀJUMS" un "UZMANĪBU!" pirms šīs ierīces lietošanas. Tālāk norādīto norādījumu neievērošana var izraisīt elektrošoku, ugunsgrēku un/vai smagus miesas bojājumus.

BOJĀJUMU NOVĒRŠANA UN INFORMĀCIJAS ZIŅOJUMI

Tie informē lietotāju par svarīgu informāciju un/vai instrukcijām, kas neievērošanas gadījumā varētu novest pie aprīkojuma vai cita īpašuma bojājumiem. Katra ziņojuma sākumā ir vārds "PIEZĪME", kā tālāk norādītajā piemērā:

PIEZĪME: Šo instrukciju neievērošanas gadījumā var rasties aprīkojuma vai īpašuma bojājumi.



⚠ BRĪDINĀJUMS: Jebkura elektroinstrumenta darbības rezultātā acīs var iekļūt svešķermenis, kas var izraisīt smagus acu bojājumus. Pirms elektroinstrumenta iedarbināšanas vienmēr uzvelciet aizsargbrilles vai aizsargbrilles ar sānu sargiem un pilnu sejas aizsargu, ja nepieciešams. Mēs iesakām Wide Vision drošības maskas lietošanu virs brillēm vai standarta aizsargbrilles ar sānu sargiem.

DROŠĪBAS INSTRUKCIJAS

Šajā lapā attēloti un aprakstīti drošības simboli, kas var būt norādīti uz šī produkta. Izlasiet, izprotiet un ievērojiet visus norādījumus uz instrumenta, pirms mēģināt to samontēt un darbināt.

	Drošības brīdinājums	Piesardzības pasākumi, kas attiecas uz jūsu drošību.
	Nēsājiet aizsargbrilles	Strādājot ar šo ierīci, vienmēr jānēsā aizsargbrilles vai aizsargbrilles ar sānu sargiem un pilna sejas maska.
	Nēsājiet dzirdes aizsardzības līdzekļus	Strādājot ar šo ierīci, vienmēr jānēsā dzirdes aizsardzības līdzekļi.
	Izlasiet ekspluatācijas instrukciju	Lai samazinātu savainojumu risku, lietotājam ir jāizlasa un jāizprot ekspluatācijas instrukcija pirms šī produkta lietošanas.
	Raugieties, lai tuvumā neviena nebūtu	Raugieties, lai vismaz 15m attālumā neviena nebūtu.
	II klases elektroiekārta	Dubultas izolācijas iekārta.
	Nelietojiet mitrumā	Nelietot lietū un neatstāt ārā lietus laikā.
V	Volti	Spriegums
A	Ampēri	Strāva
Hz	Herci	Frekvence (cikli sekundē)
W	Vati	Jauda
min	Minūtes	Laiks
m³/h	Kubikmetri stundā	Gaisa tilpums

km/h	Kilometri stundā	Gaisa plūsmas ātrums
	Maiņstrāva	Strāvas veids
	Līdzstrāva	Strāvas veids vai raksturīgās īpašības
n_0	Brīvgaitas ātrums	Rotācijas ātrums brīvgaitā
... /min	Minūtē	Apgrīzieni minūtē

Lietojot elektroierīci, vienmēr jāievēro pamata piesardzības pasākumi, ieskaitot tālāk norādītos.

VISPĀRĒJIE ELEKTROINSTRUMENTU DROŠĪBAS BRĪDINĀJUMI

⚠ BRĪDINĀJUMS: Izlasiet visus drošības brīdinājumus un instrukcijas. Tālāk norādīto brīdinājumu un norādījumu neievērošana var izraisīt elektrošoku, ugunsgrēku un/vai smagus miesas bojājumus.

Saglabājiet visus brīdinājumus un instrukcijas turpmākai izmantošanai.

Termins "elektroinstruments" brīdinājumos attiecas uz jūsu elektrotīkla darbināto (vadu) elektroinstrumentu vai akumulatora darbināto (bezvadu) elektroinstrumentu.

DROŠĪBA DARBA VIETĀ

- Turiet darba vietu tīru un labi apgaismotu. Pārblīvētās vai tumšās vietās var notikt nelaimes gadījums.
- Nedarbiniet elektroinstrumentus eksplozīvā vidē, piemēram, uzliesmojošu šķidrums, benzīna vai putekļu klātbūtnē. Elektroinstruments var radīt dzirksteles, kas var aizdedzināt putekļus vai tvaikus.
- Neļaujiet bērniem un garāmgājējiem atrasties tuvumā, kamēr darbojas elektroinstruments. Uzmanības novēršanas dēļ var zaudēt kontroli.

ELEKTRODROŠĪBA

- Elektroinstrumenta kontaktdakšai jāatbilst kontaktligzdai. Nekad un nekādā veidā nepārveidojiet kontaktdakšu. Nelietojiet adaptera kontaktdakšas iezemētiem elektroinstrumentiem. Nemodificētas kontaktdakšas un atbilstošas kontaktligzdas samazinās elektrošoka risku.
- Izvairieties no ķermeņa saskares ar iezemētām virsmām, piemēram, caurulēm, radiatoriem, plītim un ledusskapjiem. Pastāv paaugstināts risks saņemt elektrošoku, ja jūsu ķermenis ir saņemts.

- Nelietojiet elektroinstrumentu lietū vai mitrumā. Elektroinstrumentā iekļuvušais ūdens palielina elektrošoka risku.
- Nevelciet aiz vada. Nekad nenesiet un nevelciet aiz vada vai neraujiet to, lai atvienotu elektroinstrumentu no kontaktligzdas. Turiet vadu prom no karstuma avotiem, eļļas, asām malām vai kustīgām daļām. Bojāti vai sapinušies vadi var palielināt elektrošoka risku.
- Lietojot elektroinstrumentu ārā, izmantojiet pagarinātāja vadu, kas piemērots izmantošanai ārpus telpām. Lietojot vadu, kas piemērots darbam ārpus telpām, tiek samazināts elektrošoka risks.
- Ja elektroinstrumenta darbināšana mitrā vietā ir neizbēgama, izmantojiet strāvas padevi ar zemslēguma ķēžu pārtraucēja (GFCI) palīdzību. GFCI izmantošana samazina elektrošoka risku.

INDIVIDUĀLĀ DROŠĪBA

- Saglabājiet modrību, skatieties, ko darāt, un izmantojiet veselo saprātu, darbojoties ar elektroinstrumentu. Neizmantojiet elektroinstrumentu, ja esat noguris vai atrodieties narkotiku vai alkohola reibumā vai medikamentu ietekmē. Brīdis neuzmanības, darbojoties ar elektroinstrumentu, var izraisīt nopietnas traumas.
- Lietojiet individuālo aizsardzības aprīkojumu. Vienmēr nēsājiet aizsargbrilles. Aizsardzības aprīkojums, piemēram, putekļu maskas, neslīdoši apavi, ķivere vai dzirdes aizsardzības līdzekļi, kas tiek atbilstoši izmantoti, samazinās savainojumu risku.
- Novērsiet elektroinstrumenta patvaļīgu ieslēgšanos. Pārliecinieties, vai slēdzis ir izslēgtā stāvoklī pirms savienojuma izveides ar barošanas avotu un/vai akumulatoru, ceļot vai nesot instrumentu. Pārnēsājot elektroinstrumentu ar pirkstu uz slēdža vai iedarbinot elektroinstrumentu, ieslēgtā stāvoklī, var notikt nelaimes gadījums.
- Pirms elektroinstrumenta iedarbināšanas noņemiet no tā jebkādu regulējošo vai uzgriežņu atslēgu. Uzgriežņu vai regulējošā atslēga, kas atstāta uz kādas rotējošas elektroinstrumenta daļas, var izraisīt savainojumus.
- Neturiet ierīci pārāk tālu. Vienmēr pārliecinieties, ka ir drošs pamats un saglabājiet līdzsvaru. Tas atvieglo kontroli pār elektroinstrumentu neparedzētās situācijās.
- Ģērbieties atbilstoši. Nevalkājiet vaļīgu apģērbu vai rotaslietas. Sargājiet matus, apģērbu un cimdus no kustīgajām daļām. Vaļīgs apģērbs, rotaslietas un gari mati var iekļerties kustīgajās daļās.

- Ja ierīces ir paredzētas savienošanai atpūteļošanas un savākšanas iekārtām, pārļiecinieties, ka tās ir pievienotas un pareizi izmantotas. Putekļu iekārtu izmantošana var samazināt ar putekļiem saistītos apdraudējumus.

ELEKTROINSTRUMENTA LIETOŠANA UN APKOPE

- **Nepārslogojiet elektroinstrumentu.** Izmantojiet savai darbībai atbilstošu elektroinstrumentu. Īstais elektroinstrumenta darbu paveiks labāk un drošāk tāda ātrumā, kā paredzēts.
- **Nelietojiet elektroinstrumentu, ja slēdzis to neieslēdz un neizslēdz.** Jebkurš elektroinstrumenta, ko nevar ieslēgt un izslēgt ar slēdzi, ir bīstams, un to nepieciešams remontēt.
- **Atvienojiet kontaktdakšu no barošanas avota un/ vai akumulatoru no elektroinstrumenta pirms jebkādu labojumu veikšanas, piederumu maiņas vai elektroinstrumenta uzglabāšanas.** Šādi aizsardzības pasākumi ļauj samazināt nejaušas elektroinstrumenta darbības uzsākšanas risku.
- **Kad elektroinstrumentu nelietojat, uzglabājiet to bērniem nepieejamā vietā un neļaujiet personām, kas neprot to lietot vai nav iepazīnušās ar šo rokasgrāmatu, darbināt elektroinstrumentu.** Elektroinstrumenti ir bīstami neapmācītu lietotāju rokās.
- **Veiciet elektroinstrumentu apkopi.** Pārbaudiet, vai kustīgās daļas nav zaudējušas savienojuma precizitāti, vai kāda detaļa nav salūzusi, vai nav kāda cita kļūme, kas var ietekmēt elektroinstrumenta darbību. Ja elektroinstrumenta ir bojāts, lieciet to pirms lietošanas saremontēt. Daudzi nelaimes gadījumi notiek ar slikti apkoptiem elektroinstrumentiem.
- **Uzturiet griezošās daļas uzasinātas un tīras.** Rūpīgi koptas griezošās daļas ar asām griezošajām malām mazāk saķersies un būs vieglāk vadāmas.
- **Lietojiet elektroinstrumentu, piederumus, instrumentus utt. saskaņā ar šiem norādījumiem, ņemot vērā darba apstākļus un veicamo darbu.** Elektroinstrumenta izmantošana darbībām, kas atšķiras no tam paredzētajām, var radīt bīstamu situāciju.

AKUMULATORA LIETOŠANA UN APKOPE

- **Uzlādējiet tikai ar tādu lādētāju, kādu norādījis ražotājs.** Lādētājs, kas ir piemērots viena veida akumulatoram, var radīt ugunsgrēka risku, ja to izmanto ar citu akumulatoru.
- **Izmantojiet elektroinstrumentiem tikai tiem īpaši paredzētos akumulatorus.** Izmantojot citus akumulatorus, var izraisīt ugunsgrēka vai traumas risku.

- **Ja akumulators netiek lietots, uzglabājiet to prom no citiem metāla priekšmetiem, piemēram, papīra saspaudēm, monētām, atslēgām, naglām, skrūvēm vai citiem maziem metāla priekšmetiem, kas var izveidot savienojumu starp diviem kontaktiem.** Īsslēguma izveidošanās starp akumulatora kontaktiem var izraisīt apdegumus vai ugunsgrēku.
- **Sliktos apstākļos no akumulatora var izlīst šķidrums; izvairieties no saskares ar to. Ja saskare nejauši notikusi, noskalojiet ar ūdeni. Ja šķidrums nonācis acīs, papildus vērsieties pēc medicīniskās palīdzības.** Šķidrums, kas iztecējis no akumulatora, var izraisīt kairinājumu vai apdegumus.

SERVISS

- **Visi remontdarbi attiecībā uz jūsu elektroinstrumentu jāveic kvalificētam servisa speciālistam, izmantojot vienīgi identiskas rezerves daļas.** Tādējādi tiks garantēta elektroinstrumenta drošība.

IZLASIET VISAS INSTRUKCIJAS PIRMS ŠĪ PRODUKTA LIETOŠANAS!

APMĀCĪBA

- **Rūpīgi izlasiet instrukcijas.** Uzziniet, kā ierīci pareizi kontrolēt un lietot.
- **Nekad neļaujiet lietot šo ierīci bērniem, personām ar ierobežotām fiziskajām, sensorajām vai garīgajām spējām vai bez pietiekamas pieredzes un zināšanām, vai cilvēkiem, kuri nav iepazīnušies ar šīm instrukcijām.**
- **Nekad neļaujiet cilvēkiem, kuri nav iepazīnušies ar šīm instrukcijām, lietot šo ierīci.** Atbilstoši vietējai likumdošanai var būt ierobežojumi attiecībā uz operatora vecumu.
- **Nekad nedarbiniet ierīci, ja tuvumā ir cilvēki, īpaši bērni, vai dzīvnieki.**
- **Operators vai lietotājs ir atbildīgs par nelaimes gadījumiem vai apdraudējumiem, kas var notikt citiem cilvēkiem vai viņu īpašumam.**

Sagatavošana

- **Darbinot ierīci, vienmēr valkājiet pienācīgus apavus un garās bikses.**
- **Nevalkājiet vaļīgu apģērbu vai rotaslietas, ko var ieraut gaisa ieplūdes atverē.** Sargājiet garus matus no gaisa ieplūdes atverēm.
- **Ierīces darbības laikā valkājiet aizsargbrilles.**
- **Lai novērstu putekļu kairinājumu, ieteicams nēsāt sejas masku.**

- Pirms lietošanas pārbaudiet, vai akumulatoram vai baterijām nav kāds bojājums. Nelietojiet ierīci, ja akumulators vai baterijas ir bojāts(-as).
- Nekad nelietojiet ierīci, ja bojāti aizsargi vai aizsargekrāni, vai bez drošības iekārtām, piemēram, uzstādīta grūžu savācēja.

DARBĪBA

- Atvienojiet baterijas vai akumulatorus:
 1. Ikreiz, kad atstājat ierīci;
 2. Pirms nosprostojuņa tīrīšanas;
 3. Pirms ierīces pārbaudīšanas, tīrīšanas un apkopes;
 4. Ja ierīce sāk neparasti vibrēt.
- Darbiniet ierīci tikai dienas gaismā vai labā maksīgajā gaismā.
- Neturiet ierīci pārāk tālu un visu laiku saglabāiet līdzsvaru.
- Vienmēr pārliecinieties, ka, atrodoties uz nogāzes, ir drošs pamats.
- Ejiet, nekad neskrieniet.
- Raugieties, lai visas dzesēšanas gaisa ieplūdes būtu tīras no grūžiem.
- Nekad neizpūstiet grūžus apkārtējo cilvēku virzienā.
- Ieteikums darbināt ierīci tikai pieņemamā diennakts laikā – ne agrī no rīta vai vēlu vakarā, kad tas varētu traucēt cilvēkus.
- Ieteikums izmantot grābekļus un slotas grūžu notīrīšanai pirms pūšanas.
- Ieteikums putekļainos apstākļos nedaudz samitrināt virsmu vai izmantot miglošanas uzliku.

⚠ BRĪDINĀJUMS: Rotējošu daļu bīstamība!

- Izmantojiet visu pūtēja sprauslas pagarinājumu, lai gaisa plūsma atrastos tuvu zemei.
- Nedarbiniet ierīci pie atvērtiem logiem utt.

APKOPE UN UZGLABĀŠANA

- Raugieties, lai visi uzgriežņi un skrūves būtu kārtīgi pievilkti garantijai, ka ierīce ir droša un tā ir darba stāvoklī.
- Bieži pārbaudiet, vai grūžu savācējam nav parādījies nodilums, vai tā stāvoklis nav pasliktinājies.
- Nomainiet nodilušās vai bojātās daļas.
- Lietojiet tikai oriģinālās rezerves daļas un piederumus.
- Uzglabāiet ierīci tikai sausā vietā.

⚠ BRĪDINĀJUMS: Lai garantētu drošību un uzticamību, visi remontdarbi jāveic kvalificētam servisa speciālistam.

⚠ BRĪDINĀJUMS: Lai samazinātu ugunsgrēka, elektrošoka vai traumas risku:

SVARĪGI

IZLASIET UZMANĪGI PIRMS LIETOŠANAS. SAGLABĀJIET TURPMĀKAI LIETOŠANAI.

- Iepazīstiet savu pūtēju. Rūpīgi izlasiet rokasgrāmatu. Iepazīstieties ar pūtēja iespējām un ierobežojumiem, kā arī ar iespējamajiem apdraudējumiem attiecībā uz šo pūtēju. Ievērojot šos noteikumus, samazināsit elektrošoka, ugunsgrēka vai nopietnu traumu risku.
- Nelietojiet pūtēju lietū vai mitrumā. Pūtējā iekļuvušais ūdens palielina elektrošoka risku.
- Neļaujiet pūtēju izmantot ka rotaļlietu. Cieša vērība ir nepieciešama, ja to izmanto bērni vai to izmanto bērnu tuvumā.
- Lietojiet tikai tā, kā aprakstīts šajā rokasgrāmatā. Lietojiet tikai ražotāja rekomendēto aprīkojumu.
- Ja pūtējs nedarbojas tā, kā vajadzētu, ja tas ir ticis nomests, bojāts, atstāts ārā vai iekritis ūdenī, nogādājiet to servisa centrā.
- Neaiztieciēt lādētāju, tostarp lādētāja kontaktdakšu vai lādētāja kontaktus ar mitrām rokām.
- Nelieciēt neko atverēs. Nelietojiet, ja tikusi noblokēta kāda atvere; raugieties, lai atverēs nebūtu putekļu, pūku, matu vai kā cita, kas var samazināt gaisa plūsmu.
- Turiet matus, vajīgu apģērbu, pirkstus un jebkādas citas ķermeņa daļas prom no atverēm un kustīgajām daļām. Vajīgs apģērbs, rotaslietas un gari mati var tikt ierauti gaisa ieplūdes atverē.
- Raugieties, lai gari mati būtu savākti virs pleciem, lai izvairītos no to iekēršanās kustīgajās daļās.
- Strādājiet ar īpašu vērību, tīrot kāpnēs.
- Nelādējiet akumulatoru ārpus telpām.
- Uzlādēšanai izmantojiet tikai ražotāja nodrošinātu lādētāju.
- Neatstājiet pūtēju bez uzraudzības, kad tiek ievietots akumulators. Izņemiet akumulatoru, kad pūtējs netiek lietots, kā arī pirms apkopes veikšanas.
- Nedarbiniet pūtējus eksplozīvās vidēs, piemēram, uzliesmojošu šķidrums, gāzu vai putekļu klātbūtnē. Pūtēji var radīt dzirksteles, kas var aizdedzināt putekļus vai tvaikus.
- Ar akumulatoru darbināmajam pūtējam lietojiet tikai tam īpaši paredzēto akumulatoru. Citu akumulatoru lietošana var izraisīt ugunsgrēka risku.



- Lietojiet tikai tālāk uzskaitītajiem akumulatoriem un lādētājiem.

AKUMULATORŠ	LĀDĒTĀJS
BA1120E, BA2240E, BA2800, BA3360, BA4200	CH5500E, CH2100E

BRĪDINĀJUMS:

- Akumulators ir jāizņem no ierīces, pirms tas tiek nodots lūžņos.
- Akumulators ir jāiznīcina drošā veidā.

- **Saglabājiet modrību, skatieties, ko darāt, un izmantojiet veselo saprātu, darbojoties ar elektropūtēju.** Neizmantojiet pūtēju, ja esat noguris, satraucies vai atrodaties narkotiku vai alkohola reibumā vai medikamentu ietekmē. Brīdis neuzmanības, darbojoties ar pūtējiem, var izraisīt nopietnas traumas.
- **Izvaieties no nejaušas iedarbināšanas.** Pārliecinieties, ka slēdzis ir noslēgtā vai izslēgtā stāvoklī, pirms ievietojat akumulatoru. Pārnēsājot pūtēju ar pirkstu uz slēdža vai ievietojot akumulatoru pūtējā ieslēgtā stāvoklī, var notikt nelaimes gadījums.
- **Lietot drošības aprikojumu. Vienmēr nēsājiet aizsargbrilles.** Putekļu maska, neslīdoši apavi, ķivere vai dzirdes aizsardzības līdzekļi jāizmanto atbilstoši.
- **Nelietot ierīci uz kāpnēm, jumta, kokā vai uz citas nestabilas pamatnes.** Drošs pamats uz cietas virsmas atvieglo kontroli pār elektroinstrumentu neparedzētās situācijās.
- **Noņemot akumulatoru no pūtēja, vienmēr uzmaniet kājas, raugieties, lai tuvumā nebūtu bērni vai dzīvnieki. Ja akumulators nokrīt, var gūt nopietnus savainojumus. NEKAD neizņemiet akumulatoru, kad atrodiaties augstumā.**
- **Nelietojiet pūtēju, ja to nevar ieslēgt vai izslēgt ar slēdzi.** Pūtējs, ko nevar ieslēgt un izslēgt ar slēdzi, ir bīstams, un to nepieciešams remontēt.
- **Atvienojiet akumulatoru no pūtēja pirms jebkādu labojumu veikšanas, piederumu maiņas vai tā uzglabāšanas.** Šādi aizsardzības pasākumi ļauj samazināt nejaušas pūtēja darbības uzsākšanas risku.
- **Izslēdziet visus slēdzus pirms akumulatora izņemšanas.**
- **NEMĒĢINIET** iztīrīt aizsērējumus no ierīces, vispirms neizņemot akumulatoru.
- **Pārbaudiet, vai kustīgās daļas nav zaudējušas savienojuma precizitāti, vai kāda detaļa nav salūzusī vai nav kāda cita kļūme, kas var ietekmēt pūtēja darbību.** Ja pūtējs ir bojāts, lieciet to pirms

lietošanas saremontēt. Daudzi nelaimes gadījumi notiek ar slikti apkoptiem pūtējiem.

- **Uzturiet pūtēju un tā rokturi sausus, tīrus un brīvus no eļļas un smērvielām.** Tīrīšanai vienmēr izmantojiet tīru lupatiņu. Nekad neizmantojiet bremžu šķidrums, benzīnu, naftas produktus vai citus agresīvus šķīdinātājus pūtēja tīrīšanai. Ievērojot šo noteikumu, samazināsies risks zaudēt kontroli un norobežojošās plastmasas stāvokļa pasliktināšanās risks.
- **Vienmēr nēsājiet aizsargbrilles ar sānu sargiem.** Ikdienas brillēm ir tikai triecienizturīgas lēcas. Tās NAV aizsargbrilles. Ievērojot šo noteikumu, samazināsies risks gūt acu traumu.
- **Aizsargājiet plaušas. Nēsājiet sejas vai putekļu masku, ja darbs ir puteklains.** Ievērojot šo noteikumu, samazināsies risks gūt smagus miesas bojājumus.
- **Aizsargājiet dzirdi. Nēsājiet dzirdes aizsardzības līdzekļus ilgākos darba periodos.** Ievērojot šo noteikumu, samazināsies risks gūt smagus miesas bojājumus.
- **Ar akumulatoru darbināmie pūtēji nav pieslēgti barošanas avotam; tāpēc tie vienmēr ir darba stāvoklī. Apzinieties iespējamo apdraudējumu, ja nelietojat ar akumulatoru darbināmo pūtēju vai maināt aksesuārus.** Ievērojot šos noteikumus, samazināsiet elektrošoka, ugunsgrēka vai nopietnu traumu risku.
- **Valkājiet smagas garās bikses, garas piedurknes, zābakus un cimdus.** Izvaieties no valģa apģērba vai rotaslietām, kas var iekerties kustīgajās ierīces daļās vai tās motorā.
- **Nedarbiniet iekārtu, ja esat basām kājām vai ja valkājat sandales vai līdzīgus vieglus apavus.** Valkājiet aizsargapavus, kas aizsargās jūsu kājas, un uzlabos saķeri uz slidenām virsmām.
- **Akumulatori var eksplodēt aizdegšanās avotu, piemēram, signāllampiņas, klātbūtnē.** Lai samazinātu smagu miesas bojājumu risku, nekad neizmantojiet bezvadu produktu atklātas liesmas tuvumā. Eksplozējis akumulators var izsviest atlūzas un ķīmiskāļiņas. Nonākot ar tām saskarē, tūlīt skalot ar ūdeni.
- **Saglabājiet stabilu pozīciju un līdzsvaru. Neturiet ierīci pārāk tālu.** Turot ierīci pārāk tālu, var zaudēt līdzsvaru.
- **Pārbaudiet darba vietu pirms katras lietošanas.** Noņemot visus objektus, piemēram, akmeņus, stikla lauskas, naglas, stieples vai auklas, ko ierīce var aizmestas vai kas tajā var iepīties.
- **Neversiet pūtēja cauruli cilvēku vai dzīvnieku virzienā.**

LV

- **Nekad nedarbiniet ierīci bez pienācīga aprīkojuma uzstādīšanas.** Vienmēr pārliecinieties, lai pūtēja caurule būtu pievienota.
- **Kad pūtējs netiek lietots, tas jāuzglabā telpās sausā, bērniem nepieejamā vietā.**
- **Raugieties, lai vismaz 15m attālumā nebūtu neviena pieaugušā, bērna un dzīvnieka.**
- **Visi remontdarbi attiecībā uz pūtēju jāveic kvalificētam servisa speciālistam.** Remontdarbi, ko veic nekvalificēts darbinieks, var radīt savainojuma risku.
- **Veicot pūtēja apkopi, izmantojiet tikai identiskas rezerves daļas.** Sekojiet norādījumiem šīs rokasgrāmatas Apkopes sadaļā. Neautorizētu daļu lietošana vai Apkopes instrukciju neievērošana var radīt elektrošoka vai traumas risku.
- **Nekad nelietojiet pūtēju ugunsgrēku vai karstu pelnu tuvumā.** Lietošana ugunsgrēku vai pelnu tuvumā var izraisīt ugunsgrēka izplatīšanos un izraisīt nopietnas traumas un/vai īpašuma bojājumus.
- **Nekad neizmantojiet pūtēju, lai izplatītu ķīmiskas vielas, mēslojumu vai citas toksiskas vielas.** Šo vielu izplatīšana var izraisīt nopietnus kaitējumus operatoram vai klātesošajiem.
- **Motora darbības laikā nekad nenovietojiet pūtēju uz virsmas, kas nav cieta un tīra.** Grants, smiltis un putekļi var tikt ierauti gaisa iepļūdes atverē un izsviesti virsū operatoram vai klātesošajiem, riskējot radīt nopietnus savainojumus.
- **Saglabājiet šīs instrukcijas.** Pārskatiet tās bieži un izmantojiet, lai apmācītu citus, kuri var izmantot šo ierīci. Ja šo ierīci aizdodāt kādam citam, aizdodiet arī šīs instrukcijas, lai novērstu iespējamu nepareizu šī produkta lietošanu un traumas risku.

SAGLABĀJIET ŠĪS INSTRUKCIJAS!

SPECIFIKĀCIJAS

Spriegums	56 V
Brīvgaitas ātrums	Paātrinājums: 23000 /min.
	Liels ātrums: 18000 /min.
	Zems ātrums: 10000 /min.
Gaisa tilpums	Paātrinājums: 900 m³/h
	Liels ātrums: 675 m³/h
	Zems ātrums: 440 m³/h

Gaisa plūsmas ātrums	Paātrinājums: 176 km/h
	Liels ātrums: 136 km/h
	Zems ātrums: 80 km/h
Aptuvenais darbības laiks (ar EGO 2,5 Ah akumulatoru)	10 min. (paātrinājumā)
	23 min. (lielā ātrumā)
	75 min. (mazā ātrumā)
Pūtēja svars (bez akumulatora)	2,18 kg
Izmērītais skaņas intensitātes līmenis L_{WA}	97 dB(A) $K_{WA} = 2,5$ dB(A)
Skaņas spiediena līmenis pie operatora auss L_{PA}	81,8 dB(A) $K_{PA} = 2,5$ dB(A)
Garantētais skaņas intensitātes līmenis L_{WA} (izmērīts atbilstoši 2000/14/EK)	100 dB(A)
Vibrācija a_h	1,351 m/s ² $K = 1,5$ m/s ²

- Noteiktā vibrāciju kopējā vērtība tikusi mērīta atbilstoši standarta testēšanas metodei un to var izmantot, lai savā starpā salīdzinātu vienu instrumentu ar otru;
- Noteikto vibrāciju kopējo vērtību var izmantot arī darbības priekšvērtējumam.
- **PIEZĪME:** Vibrācijas emisija elektroinstrumenta faktiskās lietošanas laikā var atšķirties no noteiktās vērtības, kādā šis instruments tiek lietots; Operatora aizsardzībai faktiskās lietošanas apstākļos jāvalkā aizsargcimdi un dzirdes aizsardzības līdzekļi.

IEPAKOJUMA SARAKSTS

DETAĻAS NOSAUKUMS	DAUDZUMS
Pūtējs	1
Pūtēja caurule	1
Pūtēja plakana uzgalis	1
Ekspluatācijas instrukcija	1

LV

APRAKSTS

IEPAZĪSTIET SAVU PŪTĒJU (Zīm. A)

1. Akumulatora atbrīvošanas poga
2. Profilētais rokturis
3. Slēdzis
4. Paātrinājuma poga
5. Gaisa ātruma padeves regulēšanas poga
6. Caurules atbrīvošanas poga
7. Pūtēja caurule
8. Gaisa izplūde
9. Gaisa ieplūde
10. Izgrūšanas mehānisms
11. Montāžas atvere
12. Elektriskie kontakti
13. Aizbīdnis
14. Plecu siksnas stiprinājums

BRĪDINĀJUMS: Lai šo produktu varētu droši lietot, nepieciešams izprast informāciju par šo ierīci, kā arī to, kas ir šajā rokasgrāmatā, kā arī nepieciešamas zināšanas par darbu, ko vēlaties veikt. Pirms šī produkta lietošanas, iepazīstieties ar visām darbības funkcijām un drošības noteikumiem.

DARBĪBA

BRĪDINĀJUMS: Nepieļaujiet, ka šī produkta pārzināšana varētu izraisīt nevērtīgu attieksmi darbā ar to. Atcerieties, ka vien brīdis neuzmanības var izraisīt nopietnas traumas.

BRĪDINĀJUMS: Nemēģiniet pārveidot šo ierīci vai izveidot piederumus, kas nav ieteicami lietošanai kopā ar šo pūtēju. Jebkāda šāda veida pārveidošana vai modifikācija uzskatāma par nepareizu lietošanu un var būt bīstama, riskējot izraisīt nopietnu trauma.

BRĪDINĀJUMS: Vienmēr izņemiet akumulatoru no instrumenta, kad montējat daļas, labojat, tīrāt vai tad, kad instruments netiek lietots. Akumulatora izņemšana ļaus izvairīties no nejaušas iedarbināšanas, kas var izraisīt nopietnus savainojumus,

Pirms katras lietošanas pārbaudiet visu ierīci, vai tā nav bojāta, vai tai nav trūkstošu vai vaļīgu daļu, piemēram, skrūvju, uzgriežņu, bultskrūvju, vāciņu utt. Cieši pievelciet visus stiprinājumus un vāciņus un nedarbiniet šo ierīci, līdz visas trūkstošās vai bojātās daļas ir nomainītas.

LV

PIELIETOŠANA

Varat izmantot šo produktu turpmāk uzskaitītajiem mērķiem:

- Cietu virsmu attīrīšanai, piemēram, piebraucamajiem ceļiem un gājēju celiņiem.
- Klāju un piebraucamo ceļu attīrīšanai no lapām un skujām.

PIEZĪME: Šis darbarīks ir izmantojams tikai tam paredzētajam nolūkam. Izmantošana jebkuram citam nolūkam ir uzskatāma par nepareizu izmantošanu.

PŪTĒJA CAURULES MONTĀŽA/NOŅEMŠANA

- **Montāža (Zīm. B)**
Novietojiet cauruli vienā līmenī ar gropi un iebīdīet to pūtēja korpusā, līdz sadzirdat klikšķi.
- **Noņemšana (Zīm. C)**
Piespiediet caurules atbrīvošanas pogu un izvelciet cauruli ārā.

AKUMULATORA UZSTĀDĪŠANA/NOŅEMŠANA (Zīm. D)

Uzlādējiet pirms pirmās lietošanas.

- **Uzstādīšana**
Novietojiet akumulatora izciļņus vienā līmenī ar lādētāja montāžas gropēm; iebīdīet akumulatoru iekšā, līdz sadzirdat klikšķi.
- **Noņemšana**
Nospiediet akumulatora atbrīvošanas pogu un izvelciet akumulatoru ārā.

BRĪDINĀJUMS: Vienmēr pārbaudiet, kāds ir pamats zem kājām un vai tuvumā neatrodas bērni vai dzīvnieki, kad nospiežat akumulatora atbrīvošanas pogu. Ja akumulators nokrīt, var būt nopietnus savainojumus. NEKAD neizņemiet akumulatoru, kad atrodieties augstumā.

PŪTĒJA IESLĒGŠANA/IZSLĒGŠANA (Zīm. E)

- **Iedarbināšana**
Nospiediet pogu un turiet to. Pēc īsas aiztures pūtējs sāks darboties.
- **Izslēgšana**
Atlaidiet slēdzi.

GAISA PLŪSMAS ĀTRUMA REGULĒŠANA

- **Gaisa plūsmas ātruma palielināšana/samazināšana**
Pagrieziet gaisa plūsmas ātruma regulēšanas pogu pulksteņrādītāja virzienā/pretēji pulksteņrādītāja virzienam.

■ Gaisa plūsmas ātruma palielināšana

Piespiediet paātrinājuma pogu, lai iegūtu maksimālo gaisā plūsmas ātrumu.

PIEZĪME: Kad paātrinājuma poga tiks atlaista, pūtējs turpinās darboties iepriekšējā ātrumā.

PŪTĒJA DARBINĀŠANA

- Lai izvairītos no grūžu izmētāšanas, nopūtiet apkārt grūžu kaudzes ārējām malām. Nekad nepūtiet tieši kaudzes centrā.
- Lai samazinātu trokšņu līmeni, ierobežojiet vienlaicīgi izmantoto iekārtu skaitu.
- Izmantojiet grābekļus un slotas grūžu notīrīšanai pirms pūšanas. Puteklāinos apstākļos nedaudz samitriniet virsmu, kad pieejams ūdens.
- Ekonomējiet ūdeni, izmantojot elektropūtējus šūteņu vietā daudziem zālienu kopšanas un dārza darbiem, tostarp tādās vietās kā teknes, aizsargtīkli, terases, grīti, verandas un dārzi.
- Raugieties, lai tuvumā nebūtu bērni, dzīvnieki, atvērti logi vai tikko mazgātas automašīnas, lai droši varētu izpūst grūžus.
- Pēc pūtēju vai citu aprīkojuma lietošanas sakopiet! Atbrīvojieties no grūžiem pareizā veidā.

■ APKOPE

▲ BRĪDINĀJUMS: Veicot apkopi, izmantojiet tikai identiskas rezerves daļas. Jebkuru citu daļu izmantošana var izraisīt apdraudējumu vai radīt produkta bojājumus. Lai garantētu drošību un uzticamību, visi remontdarbi jāveic kvalificētam servisa speciālistam.

▲ BRĪDINĀJUMS: Lai izvairītos no nopietnas traumas, vienmēr izņemiet akumulatoru no instrumenta, kad veicat jebkādas tīrīšanas vai apkopes darbus.

VISPĀRĒJĀ APKOPE

Izvairieties izmantot šķīdinātājus, tīrot plastmasas daļas. Vairums plastmasu ir uzņēmīgas pret dažāda veida komerciālu šķīdinātāju bojājumiem un, tos izmantojot, var tikt sabojātas. Lai notīrītu netīrumus, putekļus, eļļu, taukus, utt., izmantojiet tīras lupatiņas.

▲ BRĪDINĀJUMS: Nekādā gadījumā neļaujiet bremžu šķīdumam, benzīnam, naftas produktiem, eļļām utt. nonākt saskarē ar plastmasas daļām. Ķīmikālijas var sabojāt, vājināt vai iznīcināt plastmasu, kas var izraisīt nopietnas traumas.

UZGLABĀŠANA

- Notīriet visus svešķermeņus no pūtēja gaisa ievades atverēm.
- Glabājiet telpās bērniem nepieejamā vietā. Sargājiet no kodīgiem līdzekļiem, piemēram, dārza ķimikālijām un pret-apledojuuma sāļiem.

Vides aizsardzība



Neutilizējiet elektroiekārtas, akumulatora lādētāju un akumulatoru/uzlādējamus akumulatorus kopā ar sadzīves atkritumiem!

Saskaņā ar Eiropas direktīvu 2012/19/ES, elektriskās un elektroniskās iekārtas, kas vairs nav izmantojamas, un saskaņā ar Eiropas direktīvu 2006/66/EK, bojāti vai izmantoti akumulatori/baterijas jāsavāc atsevišķi un jāutilizē videi draudzīgā veidā.

Ja elektroierīces tiek utilizētas poligonos vai izgāztuvēs, bīstamās vielas var iekļūst gruntsūdeņos un nokļūt pārtikas ķēdē, bojājot jūsu veselību un labsajūtu.

EK ATBILSTĪBAS DEKLARĀCIJA



Mēs, CHERVON EUROPE LTD.

47 CASTLE STREET, READING, RG1 7SR, UNITED KINGDOM

Paziņojam, ka produkts **56V litija jonu bezvadu pūtējs LB5300E** atbilst būtiskām sekojošo Direktīvu veselības un drošības prasībām:

2006/42/EK, 2004/108/EK, 2011/65/ES, 2000/14/EK

Standarti un tehniskās specifikācijas, kas minētas:

EN60335-1, EN50636-2-100, EN62233, EN55014-1, EN55014-2

Izmērītais skaņas intensitātes līmenis: 97 dB(A).

Garantētais skaņas intensitātes līmenis: 100 dB(A).

Peter Melrose
Chervon Europe viceprezidents

Dong Jianxun
Chervon kvalitātes vadītājs

LV

* (Pilnvarotais CHERVON pārstāvis un atbildīgais par tehnisko dokumentāciju)

01/01/2016



PROBLĒMU NOVĒRŠANA

PROBLĒMA	CĒLONIS	RISINĀJUMS
Pūtējs nedarbojas.	<ul style="list-style-type: none">■ Akumulators nav pievienots pūtējam.■ Starp pūtēju un akumulatoru nav elektriskā kontakta.■ Akumulators ir iztukšots.■ Akumulators vai pūtējs ir pārāk sakarsis.	<ul style="list-style-type: none">■ Ievietojiet akumulatoru pūtējā.■ Noņemiet akumulatoru, pārbaudiet kontaktus un ievietojiet akumulatoru atpakaļ.■ Uzlādējiet akumulatoru.■ Atdziestējiet akumulatoru un pūtēju līdz temperatūra nokrītas zem 67 °C.
Gaisa plūsmas ātrums ievērojami samazinās.	<ul style="list-style-type: none">■ Pārmērīgs motora ventilatora nolietojums.■ Gaisa ieplūdi bloķē gruži.	<ul style="list-style-type: none">■ Sazinieties ar EGO servisa centru attiecībā uz remontu.■ Izņemiet akumulatoru, iztīriet grūžus.

GARANTIJA

EGO WARRANTY POLITIKA

Lūdzu, apmeklējiet tīmekļa vietni egopowerplus.com, kur pieejama pilna EGO Garantijas politikas noteikumu un nosacījumu versija.

LV

166

56 VOLTU LITIJA JONU BEZVADU PŪTĒJS — LB5300E

LUGEGE KOGU JUHEND LÄBI!



LUGEGE JUHEND LÄBI JA PÜÜDKE SELLEST ARU SAADA

MÄRKUS: See juhend on saadaval ka teistsuguses vormingus, nt kodulehel.

⚠️ Kaasnev oht! Elektroonilisi seadmeid (nt südamestimulaatorit) kasutavad inimesed peaksid enne seadme kasutamist konsulteerima oma arsti(de)ga. Elektriliste seadmete kasutamine südamestimulaatori läheduses võib põhjustada häireid stimulaatori töös.

⚠️ HOIATUS: Ohutuse ja töökindluse tagamiseks tohivad seda seadet remontida ainult vastava kvalifikatsiooniga hooldustehnikud.

TURVASÜMBOLID

Turvasümbolite eesmärk on juhtida kasutajate tähelepanu võimalikele ohtudele. Turvasümbolite ja nende seletusi tuleb tähele panna ja mõista. Hoiatussümbolid iseenesest ei likvideeri ühtegi ohtu. Nende abil antavad juhised ja hoiatused ei asenda korrekseid õnnetuste ennetamise meetmeid.

⚠️ HOIATUS: Lugege kõik käesolevas juhendis olevad turvajuhised enne seadme kasutamist hoolega läbi. Muuhulgas tutvuge kindlasti ka turvasiltidega, millel on tähised "OHT", "HOIATUS" või "ETTEVAATUST". Kui te ei järgi kõiki allpool toodud juhiseid, võib tekkida elektrilöögi, tulekahju ja/või raske kehavigastuse oht.

KAHJUENNETUS JA INFOSÕNUMID

Need annavad kasutajale olulist teavet ja/või juhiseid, mille mittejärgimine võib põhjustada seadmete või muu vara kahjustusi. Igale sõnumile eelneb märg "MÄRKUS", nagu alltoodud näites:

MÄRKUS: Nende juhiste mittejärgimisega kaasneb seadme- ja/või varakahjude oht.



⚠️ HOIATUS: Kõigi mootoriga tööriistade kasutamisel on oht, et mõni võõrkeha võib teile silma lennata ja nägemiskahjustusi põhjustada. Enne kui hakkate tööriista kasutama, pange alati ette kaitsemask või küljekaitsega kaitseprillid ning vajadusel ka näomask. Soovitame prillide asemel kasutada laia vaateulatusega kaitsemaski või standardseid küljekaitsega kaitseprille.

OHUTUSJUHISED

Selle leheküljel on kujutatud ja kirjeldatud käesoleva toote puhul kasutatud turvasümbolite. Lugege see teave hoolikalt läbi ja järgige seadme kokkupanemisel ja kasutamisel kõiki juhiseid.

	Turvamär-guanne	Ohutusabinõud
	Kasutage silmade kaitse-vahendeid	Kandke selle seadme kasuta-mise ajal alati kaitsemaski või küljekaitsega kaitseprille.
	Kasutage kõrvade kaitse-vahendeid	Kasutage seadmega töötades alati kuulmiskaitset
	Lugege kasu-tusjuhendit	Vigastuste ohtu vähen-damiseks peab kasutaja enne selle toote kasutamist kasutusjuhendi läbi lugema ja sellest aru saama.
	Ärge laske kellelgi töö ajal enda lähedal seista	Ärge laske teistel isikutel tulla töötavale seadmele lähemale kui 15 meetrit.
	II klassi kon-struktsioon	Topeltisolatsiooniga kon-struktsioon.
	Vältige seadme kokkupuudet niiskusega	Ärge kasutage seadet vihma-saju ajal ja ärge jätke seadet vihma kätte.
V	Volti	Pinge
A	Amprit	Voolutugevus
Hz	Herts	Sagedus (tsükli sekundis)
W	Vatti	Võimsus
min	Minutit	Aeg
m ³ /h	Kuupmeetrit tunnis	Õhu maht
km/h	Kilomeetrit tunnis	Õhu kiirus
	Vahelduvvool	Laengu tüüp
	Alalisvool	Laengu tüüp või omadus
n ₀	Tühikäigu kiirus	Tühikäigu pöörlemiskiirus
... /min	Minutis	Pööret minutis

ET

Elektriseadme kasutusel tuleb alati järgida elementaarseid ohutusnõudeid, sealhulgas ka alljärgnevat:

ÜLDISED MOOTORIGA TÖÖRIISTADE HOIATUSED

⚠ HOIATUS: Lugege läbi kõik turvalisusega seotud hoiatused ja juhised. Kui te ei arvesta allpool toodud hoiatusi ja juhiseid, võib tekkida elektrilöögi, tulekahju ja/või raske kehavigastuse oht.

Säilitage hoiatused ja juhised hilisemaks kasutuseks.

Hoiatuses kasutatud termin "mootoriga tööriist" viitab voolu jõul (juhtmega) töötavale mootoriga tööriistale või aku jõul töötavale (juhtmeta) tööriistale.

TÖÖPIIRKONNA OHUTUS

- **Tööpiirkond peab olema puhas ja hästi valgustatud.** Segadus või valgustamata tööpiirkonnad suurendavad õnnetuste tõenäosust.
- **Ärge kasutage elektrilisi tööriistu plahvatusohtlikus keskkonnas, kus leidub nt tuleohtlikke vedelikke, bensiini või tolm.** Mootoriga tööriistad tekitavad sädemeid, mis võivad süüdata tolm või auruseid.
- **Mootoriga tööriistadega töötamisel hoidke lapsed ja kõrvalseisjad eemal.** Tähelepanu hajumisel võite kaotada kontrolli seadme üle.

ELEKTRILINE OHUTUS

- **Elektrilised tööriistad tuleb ühendada sobivasse pistikupesasse.** Ärge kunagi muutke pistikut mitte mingil viisil. Ärge kasutage koos maandatud elektriliste tööriistadega mingisuguseid üleminekuadaptereid. Muutmata pistikute ja sobivate pistikupesade kasutamine vähendab elektrilöögi ohtu.
- **Vältige kehalist kontakti maandatud pindadega (nt torud, radiaatorid, piirded, külmikud).** Kui teie keha on maandatud, suureneb elektrilöögi oht.
- **Ärge jätke elektrilisi tööriistu vihma kätte ega niiskettesse tingimustesse.** Vee sattumine elektrilise tööriista sisse suurendab elektrilöögi ohtu.
- **Ärge rikkuge juheteid.** Ärge kasutage juheteid elektritööriista kandmiseks või tõmbamiseks ja ärge tõmmake juhtmetest, kui soovite pistikut pistikupesast eemaldada. Vältige juhtmete kokkupuudet kuumade objektide, õli, teravate äärte või liikuvate osadega. Kahjustatud või puntras juhe suurendab elektrilöögi ohtu.

ET

- **Elektrilise tööriistaga välitingimustes töötamiseks kasutage välitingimustesse sobivat pikendusjuhet.** Välitingimustesse sobiva juhtme kasutamine vähendab elektrilöögi ohtu.
- **Kui peate kindlasti tööriista märjas kohas kasutama, kasutage seadet, millel on maandusrikke katkestus.** Selle reegli järgimine vähendab elektrilöögi ohtu.

ISIKLIK OHUTUS

- **Olge tähelepanelik, töötage hoolikalt ja kasutage tervet mõistust. Ärge kasutage elektrilist tööriista, kui olete väsinud või tarvitanud narkootikume, alkoholi või ravimeid.** Isegi hetkeline tähelepanematus elektritööriistade kasutamise ajal võib põhjustada tõsisid vigastusi.
- **Kasutage isikukaitsevahendeid. Kandke silmakaitsevahendeid.** Töötingimustele vastava kaitsevarustuse (nt tolmu maski, mittelibisevate turvakingade, tugeva peakatte või kuulmiskaitsete) kasutamine vähendab kehavigastuste ohtu.
- **Vältige soovimatut käivitumist. Veenduge, et lüliti on mitteaktiivses asendis enne kui ühendate vooluvõrgu või akuplokiga ning enne seadme kandmist või üles tõstmist.** Elektritööriistade kandmine sõrme lülitil hoides või aktiivses olekus lülitiga põhjustab õnnetusi.
- **Enne tööriista sisselülitamist eemaldage sellelt kohandusvõtmed ja nutrivõtmed.** Tööriista pöörleva osa külge unustatud tööriistad võivad põhjustada kehavigastusi.
- **Ärge küünitage liiga kaugele.** Töötage ainult kindlal maapinnal ja kohtades, kus pole ohtu tasakaalu kaotada. Nii säilitate tööriista üle ootamatutes olukordades parema kontrolli.
- **Riietuge asjakohaselt. Ärge kandke ehteid ega avaraid riideid. Vältige oma juuste, riiete ja kinnaste kokkupuudet liikuvate osadega.** Liiga avarad riided, ehted ja pikad juuksed võivad liikuvate osade vahele kinni jääda.
- **Kui tootega on kaasas vahendid tolmu kogumise- ja väljavõtuseadmete ühendamiseks, veenduge, et need seadmed on korralikult ühendatud ja korrektses kasutuses.** Tolmukogumisseadmete kasutamine vähendab tolmu seotud ohtusid.

AKUSEADMETE KASUTAMINE JA HOOLDUS

- **Ärge rakendage tööriista kasutamisel jõudu.** Kasutage konkreetseks tööks sobivat tööriista. Akuseade töötab paremini ja turvaliselt, kui seda kasutada ettenähtud kiirusel.

- **Ärge kasutage tööriista, mida ei saa lülitist sisse ja välja lülitada.** Elektrilised tööriistad, mille lüüti ei tööta, on ohtlikud ja tuleb parandada.
- **Eemaldage juhe vooluvõrgust ja/või akuplokk seadme küljest enne kui alustate seadme kohandamist, lisakomponentide lisamist või eemaldamist ja enne kui hakkate seadet hoiustama.** Need ohutusmeetmed vähendavad seadme tahtmatu käivitamise võimalust.
- **Tööriistu, mida te hetkel ei kasuta, hoidke lastele kättesaamatus kohas ning ärge lubage nendega töötada isikutel, kes pole tööriistade tööpõhimõtete või käesoleva juhendiga tutvunud.** Koolitamata isikute käes on elektrilised tööriistad ohtlikud.
- **Akuseadmete hooldamine** Kontrollige, kas komponendid on korrektsetl joondatud ja ega ükski osa paindunud pole ning jälgige ka muid aspekte, mis võiksid tööriista omadusi mõjutada. Kahjustuste leidmisel laske tööriist enne järgmist kasutat remontida. Paljude õnnetuste põhjuseks on kehvasti hooldatud tööriistad.
- **Hoidke oma tööriistu teravate ja puhastena.** Korralikult hooldatud ja teravate servadega lõikeääred ei paindu nii kergesti ja on lihtsamini juhitavad.
- **Kasutage tööriista, selle lisakomponente ja tööriistaosi jm vastavalt käesolevale juhendile, võttes arvesse töötingimusi ja teostatavat tööd.** Tööriista mitte-eesmärgipärane kasutamine võib põhjustada ohtlikke olukordi.

AKUSEADMETE KASUTAMINE JA HOOLDUS

- **Kasutage laadimiseks ainult tootja poolt ette nähtud laadijaid.** Akulaadija, mis sobib teatud tüüpi akuplokkile, võib põhjustada tulekahju ohtu, kui seda kasutada mõne teise akuplokkiga.
- **Kasutage elektrilisi tööriistu ainult nende jaoks ette nähtud akuplokkidega.** Mõne muu akuploki kasutamine võib põhjustada vigastuste ja tulekahju ohtu.
- **Kui akut ei kasutata, hoidke seda eemal muudest metallesemetest nagu kirjaklambritest, müntidest, võtmetest, naeltest, kruvidest ja muudest väikestest metallesemetest, mis võivad klemmide vahel ühenduse luua.** Aku klemmide lühühendus võib põhjustada põletushaavu ja tulekahju ohtu.
- **Valedes tingimustes kasutamisel võib akut vedelikku välja tulla; vältige kokkupuudet sellega.** Kokkupuute tekkimisel loputage veega. Kui vedelik satub silma, pöörduge lisaks ka arsti poole. Akust väljuv vedelik võib põhjustada ärritust või põletusi.

HOOLDUS

- **Laske oma akutööriista hooldada kvalifitseeritud remonditehnikul, kes kasutab ainult identseid originaalvaruosi.** See tagab akuploki ohutuse säilimise.

ENNE SELLE TOOTE KASUTAMIST LUGEGE LÄBI KOGU KASUTUSJUHEND!

KOOLITUS

- **Lugege juhend hoolikalt läbi.** Tutvuge juhtseadmetega ja seadme korrektse kasutamise põhimõtetelega.
- **Ärge lubage seadet kasutada lastel, vaimsete, sensorsete või füüsiliste puuetega isikutel ega isikutel, kellel puuduvad vajalikud teadmised ja kogemus või kes pole tutvunud kasutusjuhendiga.**
- **Ärge lubage seadet inimestel, kes pole tutvunud käesoleva juhendiga.** Kohalikud seadused võivad seada seadme kasutajatele vanusepiiranguid.
- **Ärge kasutage seadet teiste inimeste (eriti laste) või loomade läheduses.**
- **Seadme kasutaja vastutab teiste inimeste või nende varaga juhtivate õnnetuste eest.**

ETTEVALMISTUS

- **Seadme kasutamise ajal kandke alati tugevaid jalatseid ja pikki pükse.**
- **Ärge kandke väga avaraid riideid ega ehteid, sest need võivad sattuda seadme sissetõmbeavasse.** Vältige pikkade juuste sattumist õhusissevõtuavadesse.
- **Kandke töötamise ajal kaitseprille.**
- **Tolust põhjustatud ärrituse vältimiseks on soovitatav kanda näomaski.**
- **Enne töö alustamist veenduge, et akud ega akuplokk pole kahjustatud.** Ärge kasutage seadet, kui aku või akuplokk on kahjustatud.
- **Ärge kasutage seadet, mille turvapiirdeid või turvadetailid (nt mustuse koguja) on kahjustatud või puuduvad.**

KASUTAMINE

- **Ühendage akud või akuplokkid lahti:**
 1. Kui lahkude seadme juurest;
 2. Enne ummistuse eemaldamist;
 3. Enne seadme puhastamist, kontrollimist või seadistamist;
 4. Kui seade hakkab ebanormaalselt vibreerima.

ET

- Kasutage seadet ainult päeval ajal või hea kunstliku valgustusega.
- Ärge küünitage liigselt ja säilitage tasakaalu.
- Kallakutel jälgige jalgealust eriti tähelepanelikult.
- Kõndige, ärge jookske.
- Hoidke jahutusavad puhastena.
- Ärge puhuge mustust kõrvalseisjate suunas.
- Kasutage seadet ainult päeval ajal ja vältige töötamist varahommikul ja hilja õhtul, kui võite teisi inimesi häirida.
- Enne puhumist on soovitatav praht rehade või harjadega maa küljest lahti ajada.
- Tolmuste alade puhul on soovitatav enne seadme kasutamist maapinda veidi niisutada või kasutada niisutavat lisaseadet.

⚠ HOIATUS: Pöörlevate osade oht!

- Kasutage täispikkuses puhuri otsaket, et õhuvool jõuaks maapinna lähedale.
- Ärge kasutage seadet avatud akende vmt lähedal.

HOOLDUS JA HOIUSTAMINE

- Ohutuse huvides jälgige regulaarselt, et kõik mutrid, poldid ja kruvid oleksid kinni.
- Kontrollige regulaarselt, etmüstusekogu ja poleks kulunud ega kahjustatud.
- Vahetage kulunud või kahjustatud osad.
- Kasutage ainult originaalvarvikuid ja -varuosi.
- Ladustage seadet ainult kuivas kohas

⚠ HOIATUS: Ohutuse ja töökindluse tagamiseks tohivad seda seadet remontida ainult vastava kvalifikatsiooniga hooldustehnikud.

⚠ HOIATUS: Tulekahju, elektrilöögi või kehavigastuste ohtu vähendamiseks:

OLULINE

ENNE KASUTAMIST LUGEGE TÄHELEPANELIKULT. HOIDKE ALLES.

- Tundke oma puhurit. Lugege juhend hoolikalt läbi. Tehke omale selgeks puhuti rakendusvõimalused ja piirangud, ning ka konkreetse seadmega seotud potentsiaalsed ohud. Selle reegli järgimine vähendab elektrilöögi, tulekahju ja tõsiste vigastuste ohtu.
- Ärge jätke puhurit vihma kätte ega niisketesse tingimustesse. Puhurisse sisenev vesi suurendab elektrilöögi ohtu.

- Ärge lubage puhuriga mängida. Kui kasutate tööriista laste lähedal või lasete seda kasutada lastel, olge väga tähelepanelik.
- Kasutage vaid selles juhendis kirjeldatud viisil. Kasutage ainult tootja soovitatud lisatarvikuid
- Kui puhur ei tööta nii nagu peab või kui seon maha kukkunud, kahjustatud, õue jäetud või vette kukkunud, viige see hooldus-keskusesse.
- Ärge puudutage laadijat, laadija juhet ega laadija terminale märgade kätega.
- Ärge paigutage midagi seadme avadesse. Ärge kasutage seadet, kui mõni selle ava on ummistunud, hoidke avad vabana tolmust, narmastest, juustest ja muudest objektidest, mis võivad õhuvoolu takistada.
- Vältige juuste, avarate riiete, sõrmede ja teiste kehaosade kokkupuudet avade või liikuvate osadega. Liiga avarad riided, ehted ja pikad juuksed võivad õhuavadesse kinni jääda.
- Pange pikad juuksed õlgadest kõrgemale kinni, et vältida nende liikuvate osade vahele kinni jäämine.
- Treppide puhastamisel olge eriti ettevaatlik.
- Ärge laadige akuplokki välitingimustes.
- Laadimiseks kasutage ainult seadme tootja toodetud laadijat.
- Ärge jätke puhurit järelevalveta, kui aku on sellega ühendatud. Eemaldage aku, kui puhurit ei kasutata või hakkate seda hooldama.
- Ärge kasutage puhurit plahvatusohtlikus keskkonnas, kus leidub nt tuleohtlikke vedelikke, gaase või tolmu. Puhurid tekitavad sademeid, mis võivad süüdata tolmu või auru.
- Kasutage aku jõul töötavat puhurit vaid vastava tähistusega akuplokiga. Mõne muu aku kasutamine võib põhjustada tulekahju.
- Kasutage ainult järgnevalt nimetatud akuplokke ja laadijaid:

AKUPLOKK	LAADIJA
BA1120E, BA2240E, BA2800, BA3360, BA4200	CH5500E, CH2100E

⚠ HOIATUS:

- Akuplokk tuleb seadmelt enne selle tööea lõppu eemaldada.

- Aku käitlemisel tuleb järgida ohutusreegleid.

- **Olge tähelepanelik, töötage hoolikalt ja kasutage tervet mõistust. Ärge kasutage puhurit, kui olete väsinud, vihane või tarvitanud narkootikume, alkoholi või ravimeid.** Isegi hetkeline tähelepanematus puhuri kasutamise ajal võib põhjustada tõsiseid vigastusi.
- **Vältige seadme juhuslikku käivitamist. Veenduge, et lüliti on lukustatud või mitteaktiivses asendis enne kui hakkate akuplokki seadme külge ühendama.** Kui kannate puhurit hoides sõrme päästikul või sisestate akuploki aktiivses asendis lülitiga seadmesse, suurendate õnnetuste ohtu.
- **Kasutage turvavarustust Kandke silmakaitsevahendeid.** Vastavate töötingimuste puhul tuleks kasutada tolmu maski, mittelibisevaid turvakingi, kõva peakatet ja kõrvade kaitsmeid.
- **Ärge kasutage seadet seistes redelil, katusel, puu otsas või muudes ebaturvalistes kohtades.** Stabiilne jalgealus kindlal maapinnal tagab ootamatutes olukordades parema kontrolli puhuri üle.
- Kui eemaldate puhurit akut jälgige oma jalgu ning läheduses viibivaid lapsi ja loomi. **Akuploki kukkumine võib põhjustada raskeid vigastusi. Akuplokki ei tohi eemaldada kõrges kohas töötades.**
- **Ärge kasutage puhurit, mida ei saa lülitist sisse ja välja lülitada.** Puhur, mille lüliti ei tööta, on ohtlik ja tuleb parandada.
- **Enne puhuri kohandamist, tarvikute lahti/külge ühendamist või hoiustamist ühendage akuplokk puhuri küljest lahti.** Need ohutusmeetmed vähendavad puhuri tahtmatu käivitamise võimalust.
- **Enne aku eemaldamist lülitage kõik juhtfunktsioonid välja.**
- **ÄRGE** üritage liikvideerida ummistust enne kui olete eemaldanud seadme aku.
- **Kontrollige, kas komponendid on korrektselt joondatud ja ega ükski osa paindunud pole ning jälgige ka muid aspekte, mis võiksid puhuri omadusi mõjutada. Rikete leidmisel, laske puhur enne kasutamist remontida.** Paljude õnnetuste põhjuseks on kehvasti hooldatud puhurid.
- **Hoidke puhurit ja selle käepidet kuivana, puhtana ja vältige õli ja rasva sattumist seadmele.** Puhastamiseks kasutage alati puhast lappi. Ärge kasutage puhuri puhastamiseks pidurivedelikku, bensiini, bensiinipõhiseid vedelikke ega muid tugevaid lahusteid. Selle reegli järgimisel on seadet parem kontrollida ning korpuse plastmaterjal säilib paremini.
- **Kandke alati küljekaitsega turvaprille.** Tavalistel prillidel on löögikindlad ainult klaasid. Need EI OLE turvaprillid. Selle reegli järgimine vähendab nägemiskahjustuste ohtu.
- **Kaitske oma hingamisteid. Tolmuses keskkonnas kandke näo- või tolmu maski.** Selle reegli järgimine vähendab tõsiste kehavigastuste ohtu.
- **Kaitske oma kuulmist. Pikema töö puhul kasutage kuulmiskaitsmeid.** Selle reegli järgimine vähendab tõsiste isikuvigastuste ohtu.
- **Akuga töötavaid puhureid pole vaja vooluvõrku ühendada, seega on nad alati töörežiimis. Olge teadlik potentsiaalsetest ohtudest ajal, kui te oma akuga puhurit ei kasuta või kui vahetate selle lisakomponente** Selle reegli järgimine vähendab elektrilöögi, tulekahju ja tõsiste isikuvigastuste ohtu.
- **Kandke tugevast materjalist pikki pükse, pikkade varrukatega riideid, saapaid ja kindaid.** Vältige liiga avaraid riideid või ehteid, mis võivad masina või selle mootori vahele kinni jääda-
- **Ärge kasutage seadet paljajalu, sandaalidega või muude sarnaste kergete jalanõudega.** Kandke kaitsejalatseid, mis kaitsevad teie jalgu ja tugevdavad jalgealust libedal pinnasel töötades.
- **Akud võivad süüteallika, nt valvepöleti läheduses plahvatada.** Et vähendada tõsiste kehavigastuste ohtu, ärge kunagi kasutage lahtise leegi läheduses juhtmeta seadet. Plahvatav aku võib paisata enda ümber prahti ja kemikaale. Kokkupuute korral nendega loputage kohe veega.
- **Töötage kindlal pinnal ja kohas, kus pole ohtu tasakaalu kaotada. Ärge küünitage liiga kaugele.** Liigne küünitamine võib põhjustada tasakaalukaotust.
- **Enne igakordset kasutamist kontrollige tööpiirkonda.** Enne alustamist eemaldage tööalalt kivikesed, klaasikillud, küünetükid, traadijupid ja nõõrid, mis võivad seadmesse kinni jääda.
- **Ärge suunake puhuri toru inimeste või loomade suunas.**
- **Ärge kasutage seadet ilma nõuetekohase lisavarustusega. Jälgige alati, et puhuri toru on kinnitatud.**
- **Kui puhurit ei kasutata, tuleks seda hoida kindlas ja kuivas ning lastele kättesaamatus kohas.**
- **Ärge laske teistel isikutel, lastel ja loomadel tulla töötavale seadme lähemale kui 15 meetrit.**
- **Puhuri hooldustoiminguid tohivad teostada vaid kvalifitseeritud remonditehnikud.** Vastava kvalifikatsioonita isiku teostatud hooldus- ja remonttööd suurendavad vigastuste ohtu.

- Remontimisel kasutage vaid originaalvaruosi.**
 Järgige käesoleva kasutusjuhendi Hoolduse lõigus toodud juhiseid. Lubamatute osade kasutamine või hooldusjuhiste eiramine võib põhjustada elektrilöögi või kehavigastuse ohtu.
- Ärge kasutage puhurit lõkete või kuuma söe lähedal.** Tule või kuuma söe kasutamisel võib tuli levida ja põhjustada raskeid vigastusi ja/või varalisi kahjusid.
- Ärge kasutage puhurit kemikaalide, väetiste või muude toksiliste ainete laiali ajamiseks.** Nende ainete laiali ajamine võib põhjustada raskeid vigastusi seadme kasutajale või kõrvalseisjatele.
- Kui mootor töötab, tohib seadet asetada vaid kindlale ja kõvale pinnale.** Kruus, liiv ja muu mustus võib sattuda õhusissevõtuavadesse ja sealt paiskuda operaatori või kõrvalseisjate pihta ning põhjustada raskeid vigastusi.
- Hoidke see kasutusjuhend alles.** Lugege seda sageli ning kasutage seda, et seadet sageli kasutatavaid isikuid välja õpetada. Kui te seadet kellelegi laenate, andke sellega kaasa ka käesolev kasutusjuhend, et vältida seadme väärkasutamist ja võimalikke vigastusi.

HOIDKE SEE KASUTUSJUHEKES ALLES!

SPETSIFIKATSIOONID

Pinge	56V
Tühikäigu kiirus	Võimendus: 23000 /min
	Kõrge: 18000 /min
	Madal 10000 /min
Õhu maht	Võimendus: 900 m ³ /h
	Kõrge: 675 m ³ /h
	Madal 440 m ³ /h
Õhu kiirus	Võimendus: 176 km/h
	Kõrge: 136 km/h
	Madal 80 km/h
Ligikaudne järjestikune tööaeg (EGO 2,5Ah akuga)	10 min. (Võimendus)
	23 min. (Suur kiirus)
	75 min. (Väike kiirus)

ET

172

56-VOLDISE LIITIUMIOONAKUGA AKUTOITEL ÕHULUUD — LB5300E

Puhuri kõrgus (ilma akuplokita)	2,18 kg
Möödetud helirõhu tase L _{WA}	97 dB(A) K _{WA} =2,5 dB(A)
Helirõhk seadme operaatori kõrva juures L _{PA}	81,8 dB(A) K _{PA} =2,5 dB(A)
Garanteeritud helirõhk L _{WA} (möödetud vastavalt 2000/14/EN)	100 dB(A)
Vibratsioon a _h	1,351 m/s ² K=1,5 m/s ²

- Ametlik vibratsioonitaseme näit on möödetud standardsete testmeetodite kohaselt ja seda võidakse kasutada erinevate tööriistade võrdlemiseks.
- Ametlikku vibratsioonitaseme näitu võib kasutada ka algse kokkupuutehinnangu andmiseks.

MÄRKUS: Tegelikul kasutamisel tekkiv vibratsioonitase või ametlikult märgitud erineb; turvalisuse eesmärgil peaks seadme kasutaja kandma kindaid ja kuulmiskaitsmeid.

PAKENDI LOEND

OSA NIMI	KOGUS
Puhur	1
Puhuri toru	1
Puhuri lapik otsak	1
Kasutusjuhend	1

KIRJELDUS

TUNNE OMA PUHURIT (Joon. A)

- Akuvabastusnupp
- Valukihiga käepide
- Päästik
- Võimendusnupp
- Õhu kiiruse kohandusnupp
- Toruvabastusnupp
- Puhuri toru
- Õhu väljalaskeava
- Õhu sissevõtuava
- Väljutusmehhanism
- Kinnituspesa
- Elektrikontaktid
- Riiv
- Õlarihma kinnitus

⚠ HOIATUS: Selle seadme ohutuks kasutamiseks tuleb tootele nii tootele kantud kui ka käesolevas juhendis sisalduvast teabest aru saada ning mõista ka teostatava töö aluseid. Enne toote kasutamist tutvuge selle funktsioonidega ja ohutusreeglitega.

KASUTAMINE

⚠ HOIATUS: Ärge muutuge toodet tundma õppides hooletuks. Pidage meeles, et raskeid vigastusi põhjustavaks õnnetuseks piisab ka sekundi murdosa pikkusest tähelepanematuses.

⚠ HOIATUS: Ärge üritage seadet ümber ehitada ega kasutada lisaseadmeid, mis pole mõeldud selle seadmega koos kasutamiseks. Kõik niisugused muudatused loetakse väärkasutuseks ja need võivad põhjustada ohtlikke olukordi, mis lõppevad raskete vigastustega.

⚠ HOIATUS: Seadme kokkupanemise, kohandamise, puhastamise või mittekasutamise ajaks tuleb akuplokk alati eemaldada. Akuploki eemaldamisega välistate seadme juhusliku käivitumise, millega võiksid kaasned rasked kehavigastused.

Enne igakordset kasutamist kontrollige, et seadmel poleks kahjustatud, puudvaid ega lahtiseid detaile, kruvisid, mutreid, polte jm. Tugevdage kõik kinnitused ja ärge kasutage seadet kuni kõik puuduvad või kahjustatud osad on asendatud.

RAKENDUS

Seadet tohib kasutada allpool loetletud eesmärkidel:

- Kõvade pindade, nt sõidu- ja kõnniteede, puhastamiseks.
- Kõnni- ja sõiduteede lehtedest ja männiokastest puhastamiseks.

MÄRKUS: Seadet tohib kasutada vaid käesolevas juhendis lubatud eesmärgil. Igasugust muud kasutust loetakse väärkasutuseks.

PUHURI TORU PAIGALDAMINE/EEMALDAMINE

- **Paigaldamiseks (Joon. B)**
Seadke sooned kohakuti ja lükake toru puhuri korpuse peale, kuni kuulete klõpsu.
- **Eemaldamine (joon. C)**
Vajutage toruvabastusnuppu ja tõmmake toru välja.

AKUPLOKI PAIGALDAMINE/EEMALDAMINE (Joon. D)

Laadige enne esimest kasutamist.

- **Paigaldamiseks**

Joondage aku ribad paigaldussoontega ja suruge akuplokki alla kuni kuulete klõpsatust.

■ Eemaldamiseks

Vajutage akuvabastusnuppu ja tõmmake akuplokk välja.

⚠ HOIATUS: Akuvabastusnuppu vajutades jälgige alati oma jalgade ning läheduses viibivate laste ja loomade asukohaga. Akuploki kukkumine võib põhjustada raskeid vigastusi. Akuploki ei tohi eemaldada kõrges kohas töötades.

PUHURI KÄIVITAMINE/PEATAMINE (Joon.E)

■ Käivitamine

Vajutage päästikule ja hoidke seda all. Väikese viite järel käivitus puhuri mootor.

■ Peatamine:

Vabastage päästik.

PUHUMISKIIRUSE MUUTMINE

■ Puhumiskiiruse suurendamiseks/vähendamiseks

Puhumiskiiruse muutmiseks pöörake puhumiskiiruse kohandusnuppu päripäeva/vastupäeva.

■ Puhumiskiiruse võimendamise

Maksimaalse õhukiiruse saavutamiseks vajutage võimendusnuppu.

MÄRKUS: Kui lasete võimendusnupu lahti, taastub puhuri esialgne puhumiskiirus.

PUHURI KASUTAMINE

- Mustuse laiali pildumise vältimiseks puhuge prahihunniku välimisi ääri mööda. Ärge suunake õhuvoolu prahihunniku keskele.
- Müra taseme vähendamiseks ärge kasutage korraga väga paljusid seadmeid.
- Enne puhumist tehke praht rehade või harjadega maa küljest lahti. Tolmustes tingimustes võiks vee olemasolul tööpinda veidi niisutada.
- Vee kokkuhoiu huvides kasutage puhurit erinevate väliste puhastustööde jaoks (nt katuserennide, võrkude, terrasside, võrede, rõdude ja aedade) puhastamisel.
- Jälgige laste, loomade, avatud akende ja hiljuti pestud autode asukohta ning puhuge prahti ohutus suunas.
- Pärast puhurite ja teiste seadmete kasutamist, koristage tööpiirkond! Kõrvaldage praht nõuetekohaselt.

ET



HOOLDUS

⚠ HOIATUS: Remontimisel kasutage vaid originaalvaruosi. Muude varuosade kasutamisega kaasneb oht ja võite ka seadet kahjustada. Ohutuse ja töökindluse tagamiseks tohivad seda seadet remontida ainult vastava kvalifikatsiooniga hooldustehnikud.

⚠ HOIATUS: Raskete kehavigastuste vältimiseks tuleb seadme puhastamise või hooldamise ajaks alati akuplokk eemaldada.

ÜLDINE HOOLDUS

Ärge kasutage seadme plastpindade puhastamiseks lahusteid. Enamik plastmaterjale on erinevat tüüpi kaubanduses saadaolevate lahustite toimel kergesti lagunevad ning lahustite kasutamine võib neid kahjustada. Kasutage mustuse, tolm, õli, rasva jm eemaldamiseks puhast lappi.

⚠ HOIATUS: Ärge kunagi laske pidurivedelikel, bensiinil, nafta baasil toodetel, läbitungivatel õlidel jms puutuda kokku plastosadega. Kemikaalid võivad plastikut vigastada, nõrgestada või hävitada, mille tulemusena võivad tekkida tõsised isikuvigastused.

HOIUSTAMINE

- Eemaldage puhuri õhusissevõtuavadelt võõrkehade.
- Hoidke puhurit sisetungimustes ja lastele kättesaamatus kohas. Hoidke puhurit eemal korrodeerivatest ainetest (nt aiakemikaalid ja jääsulatussoolad).

Keskkonkakitse



Ärge visake elektriseadmeid, akulaadijat ega patareisid / akusid olmeprügi hulka!

Vastavalt Euroopa Liidu eriaruandele nr 19/2012 tuleb elektri- ja elektroonika-seadmed, mis pole enam kasutatavad, ning, vastavalt direktiivile 2006/66/EÜ, ka defektsed või kasutatud akuplokkid / patareisid, eraldi kokku koguda ja utiliseerida keskkonnasõbralikul viisil.

Kui elektriseadmed maetakse maa sisse või viiakse prügimäele, võivad ohtlikud ained põhjavette lekkida ja toiduahelasse sattuda ning kahjustada teie tervist ja heaolu.

EN VASTAVUSDEKLARATSIOON



Meie, CHERVON EUROPE LTD.

47 CASTLE STREET, READING, RG1 7SR, UNITED KINGDOM

Kinnitame, et see toode, **56-voldise akuga juhtmeta lehepuhur LB5300E** vastab järgmiste direktiividega sätestatud esmastele tervise- ja turvanõuetele:

2006/42/EC, 2004/108/EC, 2011/65/EU, 2000/14/EC

Viidatud standardid ja tehnilised spetsifikatsioonid:

EN60335-1, EN50636-2-100, EN62233, EN55014-1, EN55014-2

Mõõdetud helivõimsuse tase: 97 dB(A).

Garanteeritud helivõimsuse tase: 100 dB(A).

Peter Melrose
Chervon Europe'i asepresident

Dong Jianxun
Chevroni kvaliteedijuht

* (CHERVONI volitatud esindaja ja tehniliste dokumentide eest vastutav isik)

01/01/2016

ET

174

56-VOLDISE LITIUMIOONAKUGA AKUTOITEL ÕHULUUD — LB5300E



TÖRKEOTSING

PROBLEEM	PÕHJUS	LAHENDUS
Puhur ei tööta.	<ul style="list-style-type: none">■ Akuplokk pole puhuriga ühendatud.■ Puhuri ja aku vahel puudub elektriline ühendus.■ Akuplokk on tühi.■ Akuplokk või puhur on liiga kuum.	<ul style="list-style-type: none">■ Kinnitage akuplokk puhuri külge.■ Eemaldage aku, kontrollige ühendusi ja paigaldage akuplokk tagasi.■ Laadige akuplokk.■ Jahutage akuplokki ja puhurit kuni temperatuur langeb alla 67°C.
Puhumiskiirus väheneb oluliselt.	<ul style="list-style-type: none">■ Mootori ventilaator on väga kulunud.■ Õhu sisselaskeava on mustust täis.	<ul style="list-style-type: none">■ Võtke ühendust EGO hoolduskeskusega ja leppige kokku remondiaeg.■ Ühendage akuplokk lahti ja puhastage.

GARANTII

EGO GARANTIIPÕHIMÕTTED

Täielikud EGO garantiitingimused leiate veebilehelt egopowerplus.com.

ET

