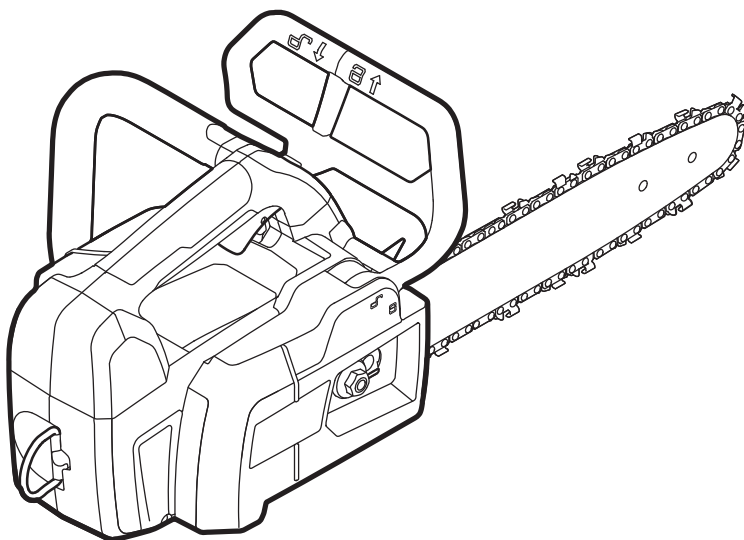


EGO™

POWER⁺ TOP HANDLE CHAIN SAW

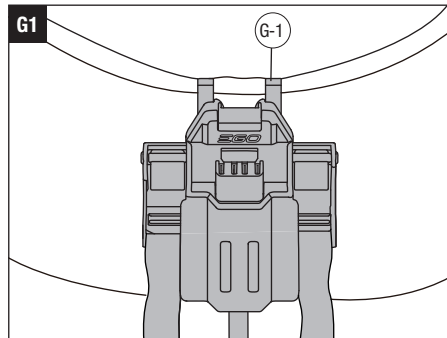
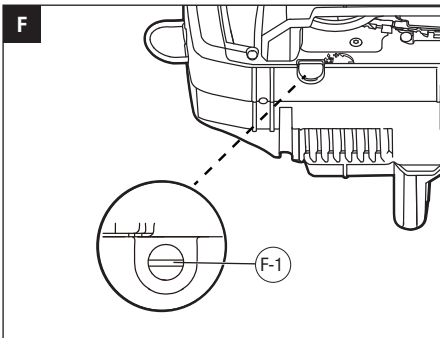
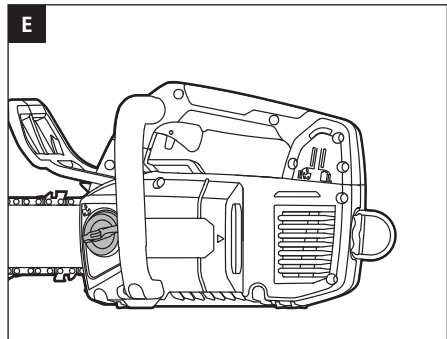
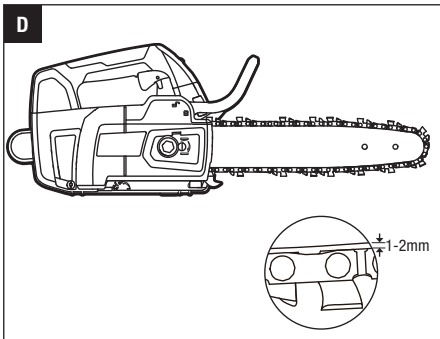
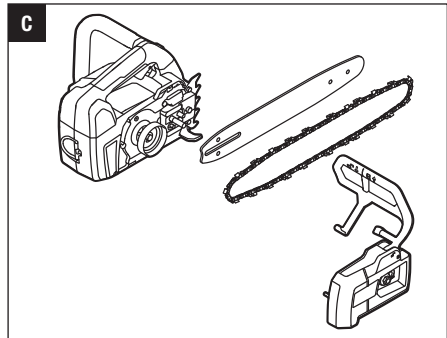
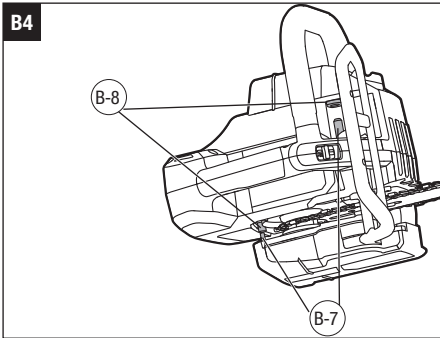
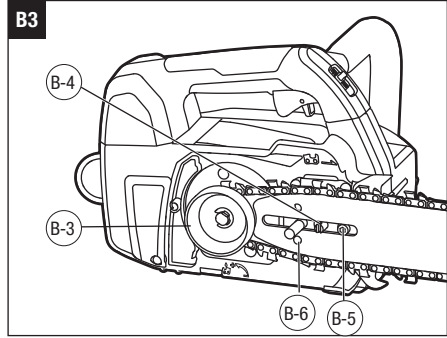
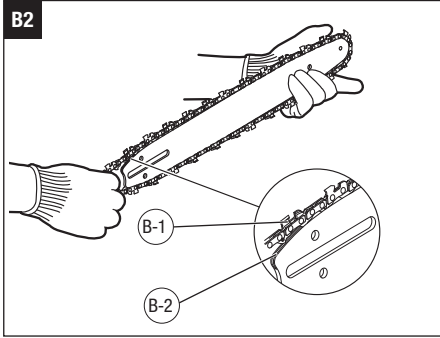


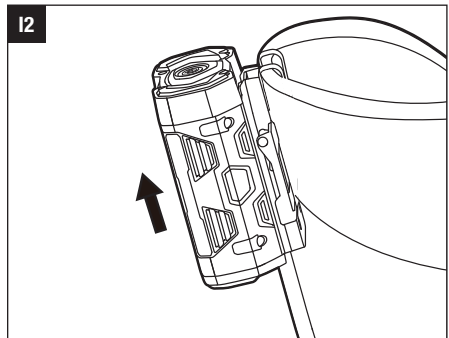
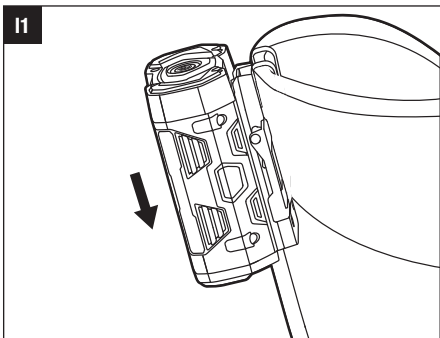
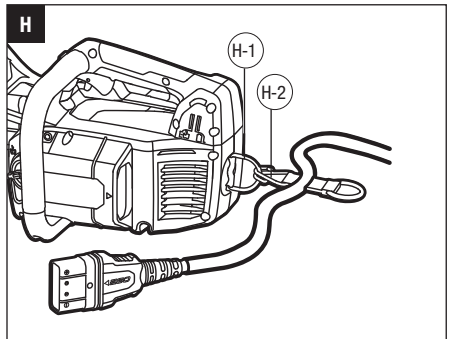
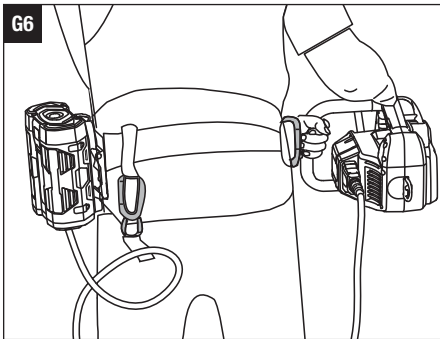
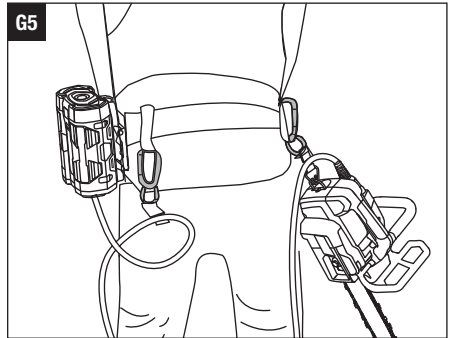
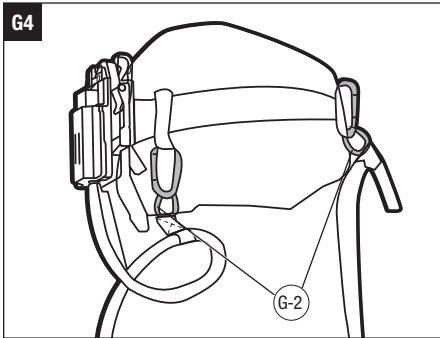
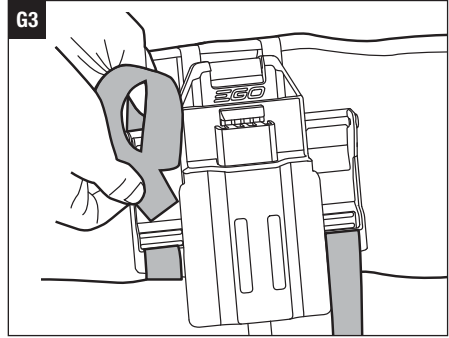
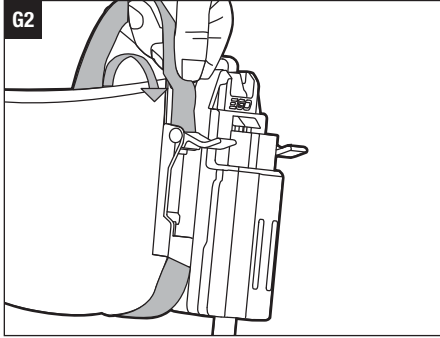
OPERATOR'S MANUAL

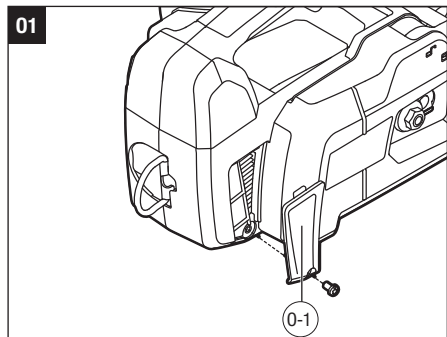
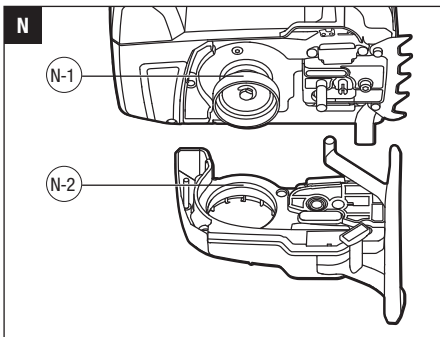
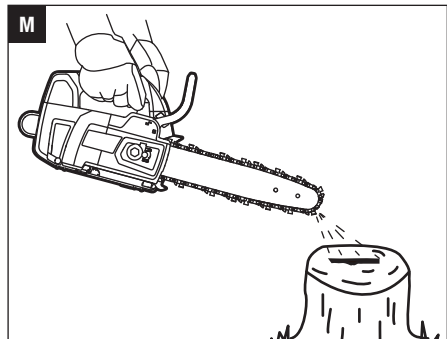
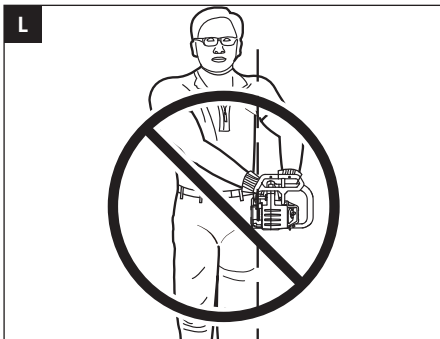
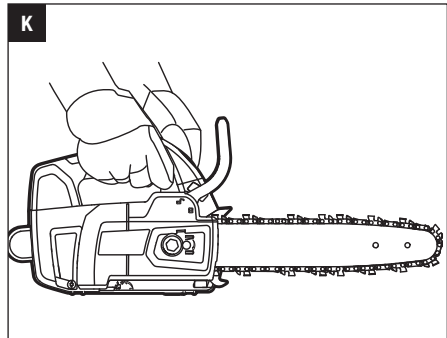
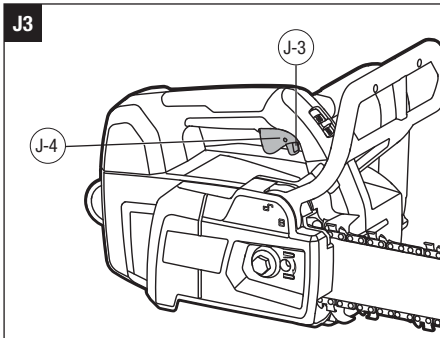
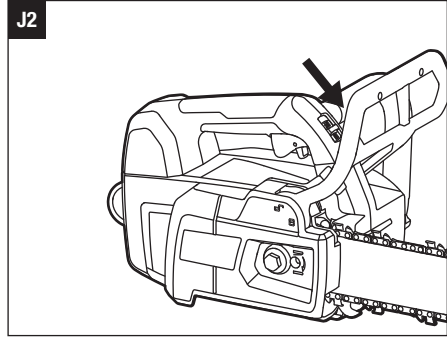
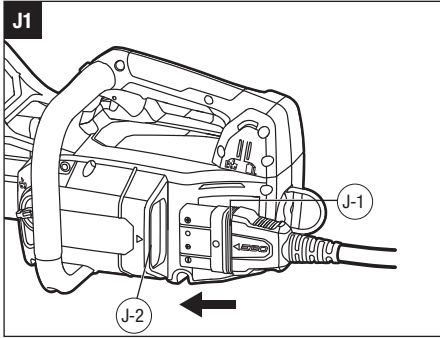
CORDLESS TOP HANDLE CHAIN SAW

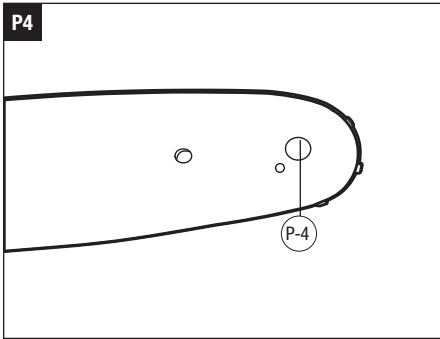
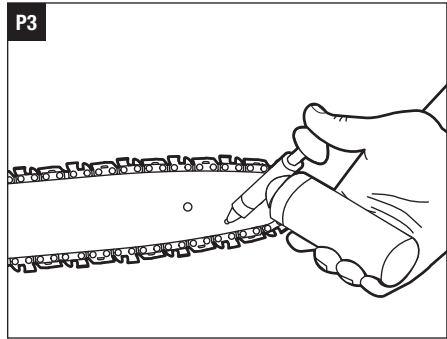
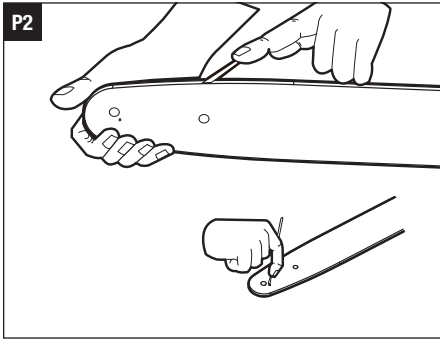
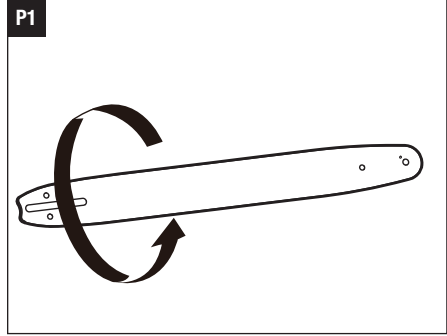
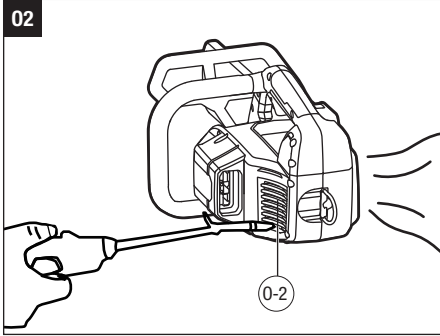
MODEL NUMBER CSX3000

EN	Cordless top handle chain saw	7	RO	Ferăstrău fără fir cu mâner superior	120
DE	Akku-top handle kettensäge	14	SL	Brezlična žaga z ročajem na vrhu	127
FR	Scie a poignée supérieure sans fil	21	LT	Belaidis pjūklas su rankena viršuje	134
ES	Motosierra de poda a batería de	28	LV	Zāģis ar rokturi augšpusē	141
PT	Motosserra de poda sem fios de	36	GR	Κλαδευτικό αλυστροπίοιο μπταρίας	148
IT	Motosega da potatura cordless	43	TR	Kablosuz budama testeresi	156
NL	Accu-tophandle kettingzaag	50	ET	Juhtmevaba pealmise käepidemega saag	163
DK	Ledningsfri sav med tophåndtag	57	UK	Акумуляторна ланцюгова пила з верхньою рукояткою	170
SE	Batteridrivnen tophandssåg	64	BG	Акумуляторен трион с горна ръкохватка	177
FI	Akkukäyttöinen moottosaha	71	HR	Akumulatorska pila s drškom na vrhu	186
NO	Trådløs tophåndtag	78	KA	უკვებელი ხერხი ზედა სახელურაწით	193
RU	Беспроводная пила с верхней рукояткой	85	SR	Bežična testera sa gornjom drškom od	202
PL	Pilarka akumulatorowa	92	BS	Akumulatorska žaga s gornjom ručkom	209
CZ	Akumulátorová řetězová pila s horním úchopem	99	HE	מסור ידית עליונה	216
SK	Akumulátorová pila s hornou rukoväťou	106	AR	المنشار اليدوي العلوي اللاسلكي	223
HU	Akkumulátoros egykezes láncfűrész	113			









READ ALL INSTRUCTIONS!



READ OPERATOR'S MANUAL

⚠ Residual risk! People with electronic devices, such as pacemakers, should consult their physician(s) before using this product. Operation of electrical equipment in close proximity to a heart pacemaker could cause interference or failure of the pacemaker.

SAFETY SYMBOL

The purpose of safety symbols is to attract your attention to possible dangers. The safety symbols and the explanations with them deserve your careful attention and understanding. The symbol warnings do not, by themselves, eliminate any danger. The instructions and warnings they give are no substitutes for proper accident prevention measures.

⚠ WARNING: Be sure to read and understand all safety instructions in this Operator's Manual, including all safety alert symbols such as "**DANGER**," "**WARNING**," and "**CAUTION**" before using this tool. Failure to follow all instructions listed below may result in electric shock, fire, and/or serious personal injury.

SYMBOL MEANING

This page depicts and describes safety symbols that may appear on this product. Read, understand, and follow all instructions on the machine before attempting to assemble and operate it.

SAFETY SYMBOLS



Safety Alert



Wear heavy-duty work gloves made of durable material.



Wear non-slip safety footwear.



Be Aware of Kickback- Contact of the guide bar tip with any object should be avoided



Guide Bar Tip Kickback- Tip contact can cause the guide bar to move suddenly upward and backward, which can cause serious injury.



Waste electrical products should not be disposed of with household waste. Take to an authorized recycler.

V Volt



Direct Current



To reduce the risk of injury, user must read and understand operator's manual before using this product.



Wear snug-fitting clothing. Do not wear a scarf, necktie or jewelry.



Wear close-fitting safety glasses, earplugs or ear muffs and a safety hard hat with chin strap.



Two Handed Hold- Always use two hands when operating the chain saw.



The information of guide bar.



Do Not Expose To Rain.



Noise



CE

EN SPECIFICATIONS

Voltage	56 V	
Recommended Operating Temperature:	-15°C-40°C	
Recommended Storage Temperature:	-40°C-70°C	
Optimum Charging Temperature	5°C-40°C	
Cutting Length	300 mm	
Chain speed	20 m/s	
Chain Pitch	3/8" (9.5mm)	
Chain Gauge	1.1 mm	
Saw Chain Type	AC1200(Recommend) AC1400 (Compatible) AC1600 (Compatible)	
Guide Bar Type	AG1200(Recommend) AG1400(Compatible) AG1600(Compatible)	
Weight (without battery pack, chain sheath)	3.5 kg	
Measured sound power level L_{WA}	98.8 dB(A) K=3 dB(A)	
Sound pressure level at working position L_{PA}	88.1 dB(A) K=3 dB(A)	
Guaranteed sound power level L_{WA} (according to 2000/14/EC)	102 dB(A)	
Vibration a_h	Front Handle	1.73 m/s ² K= 1.5 m/s
	Main Handle	2.21 m/s ² K= 1.5 m/s

- The declared vibration total value has been measured in accordance with a standard test method and may be used for comparing one tool with another;
- The declared vibration total value may also be used in a preliminary assessment of exposure.

NOTICE: The vibration emission during actual use of the power tool can differ from the declared value in which the tool is used; In order to protect the operator, user should wear gloves and ear protectors in the actual conditions of use.

DESCRIPTION

KNOW YOUR CHAIN SAW (Fig. A1)

1. Saw Chain
2. Kickback Brake Paddle
3. Locking Tongue
4. Main Handle
5. Variable-Speed Trigger
6. Eyelet
7. Battery Indicator
8. Low Oil-Indicator
9. Front Handle
10. Oil Tank Cap
11. Guide Bar
12. Lubricating Hole
13. Sprocket
14. Tensioning Screw
15. ON-OFF Safety switch
16. Guide Bolt
17. Bar Nut
18. Side Cover Assembly
19. Oil-Flow Adjustment Screw Cover
20. Dust Removal Cover
21. Ejection Mechanism
22. Electric Contacts
23. Battery Releas e Button
24. Belt Hook
25. Buckle
26. Strap
27. Strop
28. Ring 1
29. Saw Hook
30. Power Plug
31. Ring 2
32. Chain Sheath
33. Combi-Wrench

PACKING LIST (FIG. A1)

ASSEMBLY

ASSEMBLING/ DISASSEMBLING THE BAR AND CHAIN

⚠ WARNING: Always disconnect the power plug, and wear protective gloves before you assemble or do maintenance on the product.

⚠ WARNING: Read all safety warnings, instructions, illustrations and specifications provided with this power tool. Failure to follow all instructions listed below may result in electric shock, fire and/or serious injury.

Save all warnings and instructions for future reference.

1. Ensure the kickback brake paddle is set to position.
2. Unscrew the **bar nut (A-17)** anticlockwise to take off the **side cover assembly (A-18)**.
3. Lay the saw chain in a loop on a flat surface and straighten any kinks (Fig. B1).
4. Place the **drive links (B-1)** into the **groove (B-2)** on guide bar and make the chain a loop at the back of the guide bar (Fig. B2).
5. Hold the chain in position on the guide bar and place the loop around the **chain sprocket (B-3)** of the power head and check the following items (Fig. B3):
 - a) Chain drive links are seated in the teeth of **chain sprocket (B-3)**.
 - b) **Tensioning screw (B-4)** and **guide bolt (B-5)** locates in the slot of guide bar. **Tensioning pin (B-6)** is engaged in the hole of guide bar.

NOTICE: Make sure that the direction of the arrows on the saw chain teeth is always facing forward (Fig. B3).

6. Refer to the section “**TENSIONING THE SAW CHAIN**” to ensure the chain is properly assembled without binding.
7. Align two **guide rods (B-7)** of the side cover assembly with respective **holes (B-8)** in the saw, then fit the side cover assembly (Fig. B4).
8. Tighten the bar nut.

B-1	Drive Links	B-5	Guide Bolt
B-2	Groove	B-6	Tensioning Pin
B-3	Chain Sprocket	B-7	Guide Rods
B-4	Tensioning Screw	B-8	Holes

NOTICE: If the guide bar needs to be replaced, disassemble the side cover assembly and reassemble it with the new guide bar as Fig. C shown.

OPERATION

APPLICATION

- This chain saw is designed specifically for in-tree surgery and maintenance.



This saw should only be used by persons who are specially trained in tree maintenance work.

NOTICE: Recommendation that the first-time user should, as a minimum, practice cutting logs on a saw-horse or cradle.

TENSIONING THE SAW CHAIN

⚠ WARNING: Never touch or adjust the chain while the motor is running. The saw chain is very sharp; always wear protective gloves when performing maintenance to the chain.

The saw chain expands or contracts during normal saw operation. Chain tension changes as a result. Check chain tension regularly during operation and readjust if necessary.

1. Switch off the chainsaw, engage the chain brake and disconnect the power plug.
2. Loosen the bar nut, so that the guide bar can move freely for future adjustment.
3. Hold the bar nose up, and adjust the tension screw until the following points apply:
 - a) Chain sag in the center of the bar is around: 1 - 2 mm (Fig. D).
 - b) Disengage the chain brake, ensure chain can be pulled along the bar with two fingers.

NOTICE: Carefully perform this step to avoid personal injuries. Due to this DC motor contains magnetic material, compare with conventional gasoline chain saw, when you run the saw chain by two fingers, you'd feel a certain amount of resistance. It is not as smooth as you do with gasoline chain saw.

4. Hold the bar nose up and tighten the bar nut.

NOTICE: If chain sag in the center of the bar is not 1 - 2 mm, readjust chain tension.

FILLING OILTANK

1. Disconnect the power plug from the chain saw.
2. Position the chain saw on its side on a firm, flat surface, so that the oil-tank cap is facing upwards. Open the oil-tank cap. If it is too tight, use the slot-head of the combi-wrench (provided) to loosen it (Fig. E).
3. Carefully pour the oil into the oil tank. Fill to the bottom of the fill neck. Wipe off any excess oil and close it.

NOTICE:

- The chain saw is not filled with oil at the time of purchase. It is essential to fill the tank with oil before use. The chain is automatically lubricated with chain oil during operation.
- It is specially designed to provide low friction and faster cuts.
- Never use oil or other lubricants not specifically designed for use on the bar and chain. This can lead to a clogged oil system, which may cause premature wear of the bar and chain.

ADJUSTING OIL-FLOW (Fig. F)

- This saw is equipped with an **Oil-Flow Adjustment Screw (F-1)**, located on the bottom of the tool, it is used to adjust the oil flow for lubricating the chain, bar and cutting system. Increasing or reducing the oil-flow in the direction of arrows as marked on the housing.

LED INDICATOR ON THE CHAIN SAW

The chain saw is equipped with 2 LED indicators to indicate oil status and the charge level of the battery pack(s).

LED indicator		Meaning	Action
Low oil-indicator (A-8)	Flashing red	Oil shortage	Fill the oil tank
	Off	Has the oil	/
Battery indicator (A-7)	Shining green	Battery pack has the power	/
	Flashing green	Battery pack is nearly depleted and needs to be charged immediately.	Charge the battery

ATTACHING THE BATTERY HOLSTER TO THE CLIMBING HARNESS

This chainsaw comes with a battery holster, it is used to carry the battery pack and allows to be attached to the climbing harness (not provided).

NOTICE: Fastening the battery holster firmly onto the climbing harness, prior to wear the climbing harness.

- Seek a preferable point for hanging this battery holster on the climbing harness, hang the battery holster on the climbing harness by using the **belt hook (G-1)** (Fig. G1).
- Wrap the belt around the climbing harness to fix battery holster in place (Fig. G2 & G3).
- Attach two **rings (G-2)** of safety stop to the climbing harness by using two karabiners (not provided), as shown in Fig G4.

G-1	Belt Hook	G-2	Rings
-----	-----------	-----	-------

NOTICE:

- When climbing the tree, attaching the ring 1 & 2 of the safety stop to the climbing harness by using karabiners(not provided) (Fig. G5).
- When the tool is in use, detach the ring 2 from the climbing harness, hold the saw by two hands to perform your cutting (Fig. G6).

SECURING THE SAW TO BATTERY HOLSTER

Attach the **saw hook (H-2)** of safety stop to the **eyelet (H-1)** (Fig. H).

H-1	Eyelet	H-2	Saw Hook
-----	--------	-----	----------

INSTALLING/REMOVING BATTERY PACK

NOTICE: Fully charge the battery pack before its first use.

To Install (Fig. I1)


Align the ribs of the battery pack with the mounting slots then slide the battery pack into the battery holster until it snaps into position.

To Remove (Fig. I2)

Press the battery release button with your thumb to remove the battery pack.

STARTING/STOPPING THE CHAIN SAW

To Start


- Align the “▲” marks on the **power plug (J-2)** and the chain saw 's **electric socket (J-1)**, then insert the plug into the chain saw until the GREEN seal on the plug COMPLETELY disappears into the socket (Fig.J1).
- Push the “ON/OFF” switch to position “ON” (Fig. J2).
- Pull the kickback brake paddle towards the main handle to the  position.
- Move the **locking tongue (J-3)** forwards and then press the **variable-speed trigger (J-4)**. The more you pull up the variable-speed trigger, the higher rotating speed the saw chain is (Fig. J3).

J-1	Electric Socket	J-3	Locking Tongue
J-2	Power Plug	J-4	Variable-speed Trigger

To Stop

- Release the variable-speed trigger to stop the chain saw.

NOTICE: The saw chain will continue to rotate for a short while after the variable-speed trigger is released. Take care to avoid contact after releasing the variable-speed trigger and when setting down the chain saw.

- Push the kickback brake paddle forward to the brake position “”.
- Turn the “ON-OFF” switch to position “OFF”.

⚠ WARNING: Always disconnect the power plug from the chain saw during work breaks and after finishing work.

PREPARATION FOR CUTTING

Proper Grip On Handles (Fig. K)

- Wear non-slip gloves for maximum grip and protection.
- Always grasp the front handle with the left hand and the main handle with the right hand.
- The fingers should encircle the handle, with the thumb wrapped under the front handle.

⚠ WARNING: Never use a left-handed (cross-handed) grip, or any stance which would place your body or arm across the chain line.

⚠ WARNING: Do not operate the trigger switch with your left hand and hold the front handle with your right hand. Never allow any part of your body to be in the chain line while operating a chain saw (Fig. L).

CHECKING CHAIN LUBRICATION (Fig. M)

NOTICE: Ensure oil tank of the chain saw have been filled with proper volume of chain oil.

1. Hold the guide bar above a light colored surface.
2. Switch on the saw. You will see a clear line of oil on the light colored surface after 1 minute, if Chain lubrication is operating properly.
3. If chain oil is still not visible on the light colored surface, Refer to the section “**ADJUSTING OIL-FLOW**” to adjust it

OPERATING IN THE TREE

⚠ WARNING: When working or climbing, it is recommend to use the additional support , such as foot stirrup, adjustable lanyard to prevent a swing or a cutting accident.

Before using it , please check following points:

- Check the wear marks on the **chain sprocket (N-1)**, If wear marks are deeper than 0.5 mm: contact your EGO servicing dealer to replace the chain sprocket.
- Also check the braking system , if wear marks on the **brake lining (N-2)** are uneven, contact your EGO servicing dealer to replace the brake lining must be replaced (Fig. N).

N-1	Chain Sprocket	N-2	Brake Lining
-----	----------------	-----	--------------

- Check the guide bar see related section:
GUIDE BAR MAINTENANCE
- Check the saw chain see related section:
CHAIN MAINTENANCE
- Testing the chain brake see related section:
KICKBACK SAFETY DEVICES ON THIS

CHAIN SAW

■ Check the controls see related section:
STARTING/STOPPING THE CHAIN SAW

■ Check the chain lubrication see related section:
CHECKING CHAIN LUBRICATION

MAINTENANCE

CLEANING

- After each use, clean debris from the chain and guide bar with a soft brush. Wipe the chain saw surface with a clean cloth moistened with a mild soap solution.
- For deep clearing, remove the side cover assembly, take down the guide bar and saw chain and then use a soft brush to thoroughly remove debris from the guide bar, saw chain, and the drive sprocket on the chain saw power head.
- Always clean out wood chips, saw dust, and dirt from the guide bar groove when replacing the saw chain.

REMOVE DUST

1. Disconnect the power plug, allow the chain saw to cool and tighten the oil-tank cap.
2. Engage the saw brake
3. Use combi-wrench (provided) to loosen the screw of **dust removal cover (O-1)** to open it (Fig. O1).
4. Clean up the sawdust and chips accumulated in the cooling fin by using compressed dry air, blow it from the opposite side **air inlet (O-2)** (Fig. O2).

O-1	Dust Removal Cover	O-2	Air Inlet
-----	--------------------	-----	-----------

GUIDE BAR MAINTENANCE

When the guide bar shows signs of wear, disassemble it from the chain saw power head and reverse it for reassembly (Fig.P1), in which case it will distribute the wear for maximum bar life.

The bar should be cleaned (including **bar rails (P-1)** and **lubricating hole (P-2)** every day of use and checked for wear and damage (Fig. P2). Feathering or burring of the bar rails is a normal process of bar wear. Such faults should be smoothed with a file as soon as they occur. A bar with any of the following faults should be replaced.

Wear inside the bar rails which permits the chain to lay over sideways.

- Bent guide bar.
- Cracked or broken rails.
- Spread rails.

The guide bar has a sprocket at its tip. The sprocket must be lubricated weekly with a grease syringe to extend the guide bar life (Fig. P3 & P4). Turn the **nose sprocket (P-3)** while pumping the **translucent yellow, translucent red or translucent** grease into the **lubricating hole (P-4)** until the entire sprocket has new grease. Do not push dirt into the hole.

P-1	Bar rails	P-3	Sprocket
P-2	Lubricating Hole	P-4	Lubricating Hole

CHAIN MAINTENANCE

Use only low-kickback chains on this saw. This fast cutting chain will provide kickback reduction when properly maintained.

A properly sharpened saw chain cuts through wood effortlessly, even with very little pressure. Never use a dull or damaged saw chain. A dull saw chain cutter leads to increased physical strain, increased vibration load, unsatisfactory cutting results, and increased wear.

For smooth and fast cutting, the chain needs to be maintained properly. The chain requires sharpening when the wood chips are small and powdery, the chain must be forced through the wood during cutting, or the chain cuts to one side. During maintenance of your chain, consider the following:

- Improper filing angle of the side plate can increase the risk of a severe kickback.
- Depth gauge clearance. Too low increases the potential for kickback. Not low enough decreases cutting ability.
- If cutter teeth have hit hard objects, such as nails and stones, or have been abraded by mud or sand on the wood, have the chain sharpened by a qualified service technician.

NOTICE: it is recommended to have sharpening and maintenance of the **saw chain** performed by authorized service centers.

TRANSPORTING AND STORING

- Do not store or transport the chain saw when it is running. Always disconnect the power plug before storing or transporting.
- Always place the guide bar sheath on the guide bar and chain before storing or transporting the chain saw. Use caution to avoid the sharp teeth of the chain.
- Clean the chain saw thoroughly before storing. Store the chain saw indoors, in a dry place that is locked and/or inaccessible to children.
- Keep away from corrosive agents such as garden chemicals and de-icing salts.

Protecting the environment



WEEE (Waste Electrical and Electronic Equipment) Do not dispose of electrical equipment, used battery and charger into household waste! Take this product to an authorized recycler and make it available for separate collection. Electric tools must be returned to an environmentally compatible recycling facility.

TROUBLESHOOTING

EN

PROBLEM	CAUSE	SOLUTION
Motor does not start.	<ul style="list-style-type: none"> ■ The power plug of battery holster is not attached to the chain saw. ■ No electrical contact between the battery holster and battery. ■ The locking tongue is not folded up. ■ The “ON-OFF” switch is positioned to “OFF”. ■ Chain brake is engaged. 	<ul style="list-style-type: none"> ■ Insert the power plug of battery holster to the chain saw. ■ Detach battery, check contacts and reinstall the battery pack. ■ Fold up the locking tongue before starting. ■ Turn the “ON-OFF” switch to “ON”. ■ Pull the chain kickback brake paddle backward toward the top handle, arriving at the operating position.
Chain saw stops running during working.	<ul style="list-style-type: none"> ■ The battery pack or chain saw is too hot. ■ The chain saw is overloaded. ■ Too much bits of wood blocks the ventilation channel. ■ The battery pack is depleted. 	<ul style="list-style-type: none"> ■ Cool the battery pack or chain saw. ■ Decrease the load. ■ Clean the dust refer to the “REMOVE DUST” part. ■ Charge the battery pack.
Chain brake does not engage.	<ul style="list-style-type: none"> ■ Debris preventing full movement of the chain kickback brake handle. ■ Possible chain brake malfunction. 	<ul style="list-style-type: none"> ■ Clean debris from external chain brake mechanism. ■ Contact EGO Customer Service for repair.
No oil lubrication when cutting.	<ul style="list-style-type: none"> ■ Chain oil tank is empty. ■ The oil outlet of chain bar is blocked. ■ Oil solidification in low temperature. 	<ul style="list-style-type: none"> ■ Filling bar and chain lubricant. ■ Clean up the dust in the oil outlet. ■ Change the proper lubricating oil (suit for low temperature).
Low oil-indicator flashes in red color or showing abnormal light while the oil tank filled with oil.	<ul style="list-style-type: none"> ■ Special use angle of the machine causing the oil in the oil tank not enter to enter the oil pipe. ■ The category and color of oil is not recommended. ■ Low oil-indicator still flashing red. 	<ul style="list-style-type: none"> ■ Place the chain saw flat and try again. ■ Use the recommended translucent yellow, translucent red or translucent oil ■ Contact EGO Customer Service for repair
Low oil-indicator does not work while the oil tank is short of oil.	<ul style="list-style-type: none"> ■ The category and color of oil cannot be identified. ■ A small amount of oil still in the oil tank or oil pipe. ■ Low oil-indicator still not work for the above reasons. 	<ul style="list-style-type: none"> ■ Use the recommended translucent yellow, translucent red or translucent oil. ■ Use chain saw for a while and then observe low oil-indicator again. ■ Contact EGO Customer Service for repair.

WARRANTY

EGO WARRANTY POLICY

Please visit the website egopowerplus.com for full terms and conditions of the EGO Warranty policy.

ALLE ANWEISUNGEN LESEN!

DE



LESEN SIE DIE BETRIEBSANLEITUNG

⚠ Restrisiko! Menschen mit elektronischen Geräten, wie z.B. Herzschrittmachern, sollten ihren Arzt konsultieren, bevor sie dieses Gerät verwenden. Der Betrieb von Elektrogeräten in unmittelbarer Nähe zu Herzschrittmachern kann zu Einstörungen und zum Versagen des Schrittmachers führen.

WARNSYMBOL

Der Zweck von Warnsymbolen besteht darin, Ihre Aufmerksamkeit auf mögliche Gefahren zu lenken. Die Warnsymbole und deren Erklärungen verdienen Ihre vollste Aufmerksamkeit und Beachtung. Durch die Warnsymbole allein sind die Gefahren noch nicht ausgeschaltet. Die Anweisungen und Warnhinweise stellen keinen Ersatz für angemessene Unfallverhütungsmaßnahmen dar.

⚠ WARNUNG: Vor der Benutzung des Geräts sollten Sie alle Sicherheitsanweisungen in dieser Bedienungsanleitung gelesen und verstanden haben. Das gilt auch für die Sicherheits- und Gefahrenzeichen wie „VORSICHT“, „WARNUNG“ und „ACHTUNG“. Die Nichtbeachtung aller aufgeführter Anweisungen kann zu Stromschlägen, Bränden und/oder schweren Verletzungen führen.

SYMBOLBEDEUTUNG

Auf dieser Seite werden die Warnsymbole vorgestellt und beschrieben, die sich unter Umständen an dem Gerät befinden. Alle Anweisungen am Gerät lesen und befolgen, bevor das Gerät montiert und in Betrieb gesetzt wird.

WARNSYMBOL



Sicherheitswarnung



Um das Verletzungsrisiko zu verringern, muss der Benutzer die Bedienungsanleitung vor der Benutzung des Gerätes gelesen und verstanden haben.



Tragen Sie schnittfeste Arbeitshandschuhe aus widerstandsfähigem Material



Tragen Sie eng anliegende Kleidung. Keine Schals, Krawatten oder Schmuck tragen.



Tragen Sie rutschfeste Sicherheitsschuhe



Tragen Sie eine gut sitzende Schutzbrille, Ohr- oder Gehörschützer und einen Schutzhelm mit Kinnriemen.



Gefahr durch Rückstoßeffect - die Berührung eines Gegenstandes mit der Schienenspitze sollte vermieden werden.



Mit beiden Händen festhalten - Halten Sie die Kettensäge im Betrieb immer mit beiden Händen gut fest.



Rückstoßgefahr an Schienenspitze - Trifft die Schienenspitze auf einen Gegenstand, kann sich die Führungsschiene ruckartig nach oben und nach hinten bewegen. Dabei besteht schwere Verletzungsgefahr.



Angaben zur Führungsschiene.



Elektrische Altgeräte dürfen nicht im Hausmüll entsorgt werden. Bringen Sie das Gerät zu einem Wertstoffhof bzw. zu einer amtlichen Sammelstelle.



Vor Regen schützen.

V Volt



Lärm

— Gleichstrom

CE CE

TECHNISCHE DATEN

Spannung	56 V	
Empfohlene Betriebstemperatur:	-15 - 40°C	
Empfohlene Lagertemperatur:	-40 - 70°C	
Optimale Ladetemperatur	5 - 40°C	
Schnittlänge	300 mm	
Kettengeschwindigkeit	20 m/s	
Kettenteilung	3/8" (9,5 mm)	
Kettengliedlänge	1,1 mm	
Sägekettentyp	AC1200 (empfohlen) AC1400 (kompatibel) AC1600 (kompatibel)	
Führungsschientyp	AG1200 (empfohlen) AG1400 (kompatibel) AG1600 (kompatibel)	
Gewicht (mit Akku und Ketten-Schutzhülle)	3,5 kg	
Gemessener Schalleistungspegel L_{WA}	98,8 dB(A) K=3 dB(A)	
Schalldruckpegel in Arbeitsposition L_{PA}	88,1 dB(A) K=3 dB(A)	
Garantierter Schalleistungspegel L_{WA} (nach 2000/14/EG)	102dB(A)	
Vibration a_h	Vorderer Griff	1,73 m/s ² K= 1,5 m/s
	Hauptgriff	2,21 m/s ² K= 1,5 m/s

- Der angegebene Vibrationsgesamtwert wurde nach einem Standard-Prüfverfahren gemessen und kann zum Vergleich mit einem anderen Werkzeug herangezogen werden.
- Der angegebene Vibrationsgesamtwert kann auch zur vorläufigen Risikobewertung herangezogen werden.

HINWEIS: Die beim Einsatz des Elektrowerkzeugs entstehenden Istvibrationen können von dem angegebenen Wert abweichen. Zum Schutz des Benutzers sollten Handschuhe und ein Gehörschutz während des Geräteinsatzes getragen werden.

BESCHREIBUNG

AUFBAU (Abb. A1)

- Sägekette
- Kettenbremshebel
- Sicherheitsverriegelung
- Hauptgriff
- Drehzahl-Wahlhebel
- Öse
- Akkuwarnleuchte
- Ölwarnleuchte
- Vorderer Griff
- Öltankverschluss
- Führungsschiene
- Schmierloch
- Zahnrad
- Kettenspannschraube
- Sicherheits-Hauptschalter
- Schienen-schraube
- Schienenmutter
- Seitenverkleidung
- Verkleidung der Ölfluss-Stellschraube
- Verkleidung der Staubabscheidung
- Auswurfmechanismus
- Elektrische Kontakte
- Akku-Entriegelungstaste
- Gürtelhalter
- Schloss
- Riemen
- Stahlseil
- Ring 1
- Sägehaken
- Anschlusstecker
- Ring 2
- Kettenschutzhülle
- Kombischlüssel

PACKLISTE (ABB. A1)


MONTAGE

MONTIEREN/DEMONTIEREN DER SCHIENE UND KETTE

⚠️ WARNUNG: Ziehen Sie immer zuerst den Stecker ab und ziehen Sie Schutzhandschuhe an, bevor Sie mit der Montage oder Wartung des Geräts beginnen.

⚠️ WARNUNG: Beachten Sie alle Warnhinweise, Anweisungen, Abbildungen und technischen Daten, die diesem Elektrowerkzeug beigefügt sind. Die Nichtbeachtung der unten aufgeführten Anweisungen kann zu Stromschlägen, Bränden und/oder schweren Verletzungen führen.

Bewahren Sie alle Warn- und Bedienhinweise für Nachschlagezwecke auf.

1. Vergewissern Sie sich, dass sich der Kettenbremshebel in Position  befindet.
2. Lösen Sie die **Mutter (A-17)** gegen den Uhrzeigersinn, um die **Seitenverkleidung (A-18)** abzumontieren.
3. Legen Sie die neue Sägekette in einer Schlaufe auf einer ebenen Fläche aus und beseitigen Sie etwaige Knicke. (Abb. B1)
4. Verlegen Sie die **Kettenglieder (B-1)** in die **Nut (B-2)** der Führungsschiene und verlegen Sie die Kette hinten an der Führungsschiene wieder zurück. (Abb. B2)
5. Halten Sie die Kette auf der Führungsschiene fest und verlegen Sie sie über das **Antriebsritzel (B-3)** zurück. Überprüfen Sie folgende Punkte (Abb. B3):
 - a) Die Kettentriebglieder sitzen auf den **Ritzelzähnen (B-3)**.
 - b) **Kettenspannschraube (B-4)** und **Schienenschraube (B-5)** sitzen in der Öffnung der Führungsschiene. **Der Spannstift (B-6)** sitzt in der Öffnung der Führungsschiene.

HINWEIS: Achten Sie darauf, dass die Pfeile an den Sägekettenzähnen immer nach vorn gerichtet sind (Abb. B3).

6. Vergewissern Sie sich, dass die Kette ohne zu Blockieren korrekt montiert ist. Beachten Sie dazu das Kapitel „**SPANNEN DER SÄGEKETTE**“.
7. Setzen Sie die beiden **Führungsstifte (B-7)** der Seitenverkleidung in die zugehörigen **Bohrungen (B-8)** in der Kette ein und montieren Sie die Seitenverkleidung. (Abb. B4)
8. Ziehen Sie die Schienenmutter fest.

B-1	Kettenglieder	B-5	Schienenschraube
B-2	Nut	B-6	Spannstift
B-3	Kettenrad	B-7	Führungsstifte
B-4	Kettenspannschraube	B-8	Bohrungen

HINWEIS: Falls die Führungsschiene ausgetauscht werden muss, montieren Sie die Seitenverkleidung ab und bringen Sie sie mit der neuen Schiene wieder an (s. Abb. C).

BETRIEB

VERWENDUNGSZWECK

- Diese Kettensäge ist vorwiegend für Stutz- und Pflegearbeiten im Baum vorgesehen.



Diese Säge sollte nur von Personen verwendet werden, die speziell für Baumpflegearbeiten ausgebildet sind.

HINWEIS: Erstbenutzern empfehlen wir, zumindest das Sägen von Holzstämmen auf einem Sägebock oder Ständer zu üben.

SPANNEN DER SÄGEKETTE

⚠️ WARNUNG: Bei laufendem Motor darf die Kette keinesfalls berührt oder justiert werden. Die Sägekette ist sehr scharf; tragen Sie stets Schutzhandschuhe, wenn Sie Wartungsarbeiten an der Kette durchführen.

Während des normalen Sägebetriebs verlängert sich die Kette nicht nur, sondern zieht sich auch zusammen. Dementsprechend ändert sich die Kettenspannung. Überprüfen Sie die Kettenspannung während des Betriebs regelmäßig und spannen Sie ggf. nach.

1. Schalten Sie die Kettensäge aus, betätigen Sie die Kettenbremse und ziehen Sie den Anschlussstecker.
2. Lösen Sie die Schienenmutter, um die Führungsschiene zum Verstellen frei bewegen zu können.
3. Halten Sie die Vorderseite der Schiene hoch und drehen Sie an der Kettenspannschraube, bis folgende Punkte zutreffen:
 - a) Der Kettendurchhang in der Mitte der Schiene beträgt etwa: 1 - 2 mm (Abb. D).
 - b) Lösen Sie die Kettenbremse und kontrollieren Sie, ob sich die Kette mit zwei Fingern an der Schiene entlang gezogen werden kann.

HINWEIS: Führen Sie diesen Schritt vorsichtig aus, um sich nicht zu verletzen. Da der Gleichstrommotor bei diesem Gerät magnetische Komponenten enthält, sollten Sie, anders als bei einer Kettensäge mit Benzinmotor, beim Bewegen der Kette mit zwei Fingern einen gewissen Widerstand verspüren. Die Kette lässt sich nicht so leicht von Hand bewegen wie bei einer Benzinkettensäge.

4. Halten Sie die Schiene hoch und ziehen Sie die Schienenmutter fest.

HINWEIS: Beträgt der Kettendurchhang in der Mitte der Schiene nicht 1 - 2 mm, muss die Kettenspannung korrigiert werden.

BEFÜLLEN DES ÖLTANKS

1. Ziehen Sie den Anschlussstecker von der Kettensäge.
2. Legen Sie die Kettensäge auf die Seite auf einer festen, ebenen Fläche, sodass der Öltankverschluss nach oben zeigt. Öffnen Sie den Öltankverschluss. Wenn er zu fest sitzt, lösen Sie ihn mit der Schlitzseite des (beiliegenden) Kombischlüssels (Abb. E).

3. Gießen Sie das Öl vorsichtig in den Öltank. Füllen Sie bis zur Unterseite des Einfüllstutzens Öl nach. Wischen Sie übergelaufenes Öl ab und verschließen Sie den Tank.

HINWEIS:

- Beim Kauf ist die Kettensäge nicht mit Öl befüllt. Vor dem Gebrauch muss der Tank mit Öl befüllt werden. Während des Betriebs wird die Kette automatisch mit Kettenöl geschmiert.
- Es ist speziell für eine geringe Reibung und eine schnellere Schnittführung konzipiert.
- Verwenden Sie niemals Öl oder andere Schmiermittel, die nicht speziell für die Schiene und Kette vorgesehen sind. Dies kann zu einem verstopften Ölsystem führen und somit vorzeitigem Verschleiß von Schiene und Kette verursachen.

REGULIEREN DES ÖLFLUSSES (Abb. F)

- An der Unterseite der Säge befindet sich eine **Öfluss-Einstellschraube (F-1)**, mit der die Ölversorgung zum Schmieren der Kette, Schiene und des Schneidsystems reguliert werden kann. Zum Erhöhen oder Verringern des Öldurchflusses muss die Schraube wie von den Pfeilrichtungen am Gehäuse angezeigt gedreht werden.

LED-ANZEIGE AN DER KETTENSÄGE

Die Kettensäge ist mit 2 LED-Leuchten ausgestattet, die den Ölfüllstand und den Ladezustand des Akkupacks melden.

LED-Leuchte		Bedeutung	Abhilfe
Ölwarnleuchte (A-8)	Rot blinkend	Ölmangel	Öl im Tank nachfüllen
	Aus	Öl ausreichend	/
Akkuwarnleuchte (A-7)	Grün leuchtend	Akkupack geladen	/
	Grün blinkend	Der Akkupack ist fast entladen und muss sofort wieder geladen werden.	Akku aufladen

AKKUHALTER AM KLETTERGESCHIRR ANBRINGEN

Dieser Sägekette liegt ein Akkuhalter zum Transportieren des Akkupacks bei, der an ein Klettergeschirr (nicht mitgeliefert) angeschlossen werden kann.

HINWEIS: Vor dem Anlegen des Klettergeschirrs muss der Akkuhalter fest mit dem Geschirr verbunden werden.

1. Suchen Sie am Klettergeschirr nach einer geeigneten Stelle zum Einhängen des Akkuhalters. Schlagen Sie den Akkuhalter dann mit dem **Gürtelhalter (G-1)** am Klettergeschirr an. (Abb. G1)

2. Bringen Sie den Gürtel dann am Klettergeschirr an, um den Akkuhalter an Ort und Stelle zu fixieren (Abb. G2 & G3).

3. Bringen Sie die beiden **Ringe (G-2)** des Sicherungsstahlseils mit zwei Karabinerhaken (nicht mitgeliefert) am Klettergeschirr an, siehe Abb. G4.

G-1	Gürtelhalter	G-2	Ringe
-----	--------------	-----	-------

HINWEIS:

- Zum Klettern auf einen Baum die Ringe 1 und 2 des Sicherungsstahlseils mit Karabinerhaken (nicht mitgeliefert) am Klettergeschirr anbringen (Abb. G5)
- Bei Einsatz des Geräts lösen Sie Ring 2 vom Klettergeschirr und halten die Säge mit beiden Händen gut fest, um die Sägearbeiten auszuführen (Abb. G6).

BEFESTIGEN VON SÄGE UND AKKUHALTER

Befestigen Sie den **Sägehaken (H-2)** des Sicherungsstahlseils an der **Öse (H-1)**. (Abb. H)

H-1	Öse	H-2	Karabiner
-----	-----	-----	-----------

ANBRINGEN/ABNEHMEN DES AKKUPACKS

HINWEIS: Laden Sie den Akku vor dem ersten Gebrauch voll auf.

Anbringen (Abb. I1)

Lassen Sie die Rippen des Akkus mit den Anschlussöffnungen fluchten. Schieben Sie den Akku anschließend in den Akkuhalter, bis er hörbar einrastet.

Abnehmen (Abb. I2)

Zum Abnehmen des Akkus drücken Sie mit dem Daumen die Akku-Entriegelungstaste.

STARTEN/STOPPEN DER KETTENSÄGE
Starten


1. Die Pfeilspitzen "▲" am **Anschlussstecker (J-2)** und an der **Anschlussbuchse (J-1)** der Säge miteinander fluchten lassen. Den Stecker nun in die Buchse einführen, bis der GRÜNE Dichtung am Stecker VOLLSTÄNDIG in der Buchse sitzt und nicht mehr zu sehen ist (Abb. J1).
2. Schieben Sie den Hauptschalter („ON/OFF“) in die Position „ON“ (Abb. J2).
3. Ziehen Sie den Kettenbremshebel zum vorderen Griff in Betriebsstellung
4. Schieben Sie die **Sicherungsverriegelung (J-3)** nach vorn und betätigen Sie dann den **Drehzahl-Wahlhebel (J-4)**. Je stärker Sie am Drehzahl-Wahlhebel ziehen, desto höher ist die Drehzahl der Kettensäge (Abb. J3).

J-1	Anschlussbuchse	J-3	Sicherheitsverriegelung
J-2	Anschlussstecker	J-4	Drehzahl-Wahlhebel

Stoppen

1. Lassen Sie den Wahlhebel los, um die Kettensäge auszuschalten.

HINWEIS: Nach dem Loslassen des Hebels läuft die Kettensäge eine kurze Zeit bis zum Stillstand aus. Vermeiden Sie unbedingt den Kontakt Nach dem Loslassen des Hebels sollten Sie auf jeden Fall den Kontakt mit der Säge meiden und beim Ablegen der Kettensäge vorsichtig sein.

2. Bewegen Sie den Kettenbremshebel nach vorne in Bremsposition „“.
3. Schieben Sie den Hauptschalter („ON/OFF“) in die Position „OFF“.

⚠️ WARNUNG: Ziehen Sie bei Arbeitspausen und nach Abschluss der Arbeiten stets den Anschlussstecker aus der Kettensäge.

SÄGEVORBEREITUNGEN

Fester Halt an den Griffen (Abb. K)

- Mit rutschfesten Handschuhen sorgen Sie für maximalen Halt und Schutz.
- Halten Sie das Gerät immer mit der linken Hand am vorderen Griff und mit der rechten Hand am hinteren Griff fest.
- Die Finger sollten den Griff umschließen und der Daumen sollte bis unter dem vorderen Griff anliegen.

⚠️ WARNUNG: Halten Sie das Gerät nie über Kreuz fest und vermeiden Sie Körperhaltungen, bei denen sich Ihr Körper oder Ihre Arme mit der Kettenlinie kreuzen.

⚠️ WARNUNG: Betätigen Sie den Wählhebel nicht mit der linken Hand und halten Sie den vorderen Griff mit Ihrer rechten Hand fest. Beim Arbeiten mit der Kettensäge dürfen sich keine Körperteile in der Kettenlinie befinden (Abb. L).

KETTENSCHMIERUNG KONTROLLIEREN (Abb. M)

HINWEIS: Vergewissern Sie sich, dass sich genügend Kettenöl im Öltank der Kettensäge befindet.

1. Halten Sie die Führungsschiene über eine helle Fläche.
2. Schalten Sie die Säge ein. Wenn der Kettenöler einwandfrei funktioniert, sollte nach 1 Minute eine deutliche Ölspur auf der hellen Fläche zu sehen sein.

3. Falls auf der hellen Fläche kein Öl zu sehen ist, lesen Sie das Kapitel „EINSTELLEN DES ÖLFLUSSES“.

SÄGEN IM BAUM

⚠️ WARNUNG: Beim Sägen oder Klettern empfiehlt es sich, weitere Hilfsmittel zum Abstützen zu verwenden, wie z. B. Steigbügel oder verstellbare Sicherungsleinen, um ein Umherschaukeln oder Sägeunfälle zu vermeiden.

Prüfen Sie zuvor aber folgende Punkte:

- Kontrollieren Sie die Verschleißmarken am **Kettenrad (N-1)**. Sind die Verschleißmarken tiefer als 0,5 mm, wenden Sie sich an Ihren EGO Kundendienst, um das Kettenrad auszuwechseln zu lassen.
- Prüfen Sie außerdem, ob die Verschleißmarken am **Bremsbelag (N-2)** ungleichmäßig sind. Wenden Sie sich an Ihren EGO Kundendienst, um den Bremsbelag auszuwechseln zu lassen. (Abb. N)

N-1	Kettenrad	N-2	Bremsbelag
-----	-----------	-----	------------

- Prüfen Sie die Führungsschiene (siehe dazu den Abschnitt):
WARTUNG DER FÜHRUNGSSCHIENE
- Lesen Sie folgenden Abschnitt über die Sägekette nach:
WARTUNG DER KETTE
- Zum Testen der Kettenbremse lesen Sie den Abschnitt:
RÜCKSCHLAG-SCHUTZVORRICHTUNGEN AN DIESER

KETTENSÄGE

- Überprüfen Sie die Bedienelemente (siehe den Abschnitt):
STARTEN/STOPPEN DER KETTENSÄGE
- Kontrollieren Sie die Kettenschmierung (lesen Sie dazu den Abschnitt):
KETTENSCHMIERUNG KONTROLLIEREN

WARTUNG

REINIGUNG

- Entfernen Sie nach jedem Gebrauch mithilfe einer weichen Bürste anhaftenden Schmutz von der Kette und Führungsschiene. Wischen Sie die Oberfläche der Kettensäge mit einem sauberen und mit milder Seifenlösung befeuchteten Tuch ab.
- Um das Gerät gründlicher zu reinigen, montieren Sie die Seitenverkleidung und die Führungsschiene sowie die Sägekette ab. Beseitigen Sie den Schmutz an der Schiene, Sägekette und am Antriebsritzel des Sägekettenantriebs gründlich mit einer weichen Bürste.

- Entfernen Sie Holzspäne, Sägestaub und Schmutz aus der Nut der Führungsschiene, wenn Sie die Sägekette wechseln.

STAUB ENTFERNEN

- Ziehen Sie den Anschlussstecker ab, lassen Sie die Kettensäge abkühlen und drehen Sie den Verschluss des Öltanks zu.
- Betätigen Sie die Sägekettenbremse.
- Lösen Sie die Schraube an der **Verkleidung der Staubabscheidung (0-1)** mit dem Kombischlüssel (Abb. 01) und nehmen Sie die Verkleidung ab.
- Beseitigen Sie Sägestaub und -späne, die sich an den Kühlrippen angesammelt haben, mit Druckluft. Blasen Sie die Rippen von der gegenüber liegenden Seite des Lufteinlasses (0-2) frei. (Abb. 02).

0-1	Verkleidung der Staubabscheidung	0-2	Lufteinlass
-----	----------------------------------	-----	-------------

WARTUNG DER FÜHRUNGSSCHIENE

Falls die Führungsschiene Verschleißerscheinungen aufweist, montieren Sie sie vom Sägeantrieb ab und bauen Sie sie anschließend wieder an (Abb. P1). Dadurch verteilt sich die Abnutzung, die Schiene wird geschont und hält länger.

Die Schiene (inklusive **Schienenstege (P-1)** und **Schmierloch (P-2)**) sollte jeden Tag nach dem Gebrauch gereinigt und auf Verschleiß sowie Schäden überprüft werden. Scharfe Kanten oder Grat an den Schienenstegen sind normale Verschleißerscheinungen an der Schiene. Diese Fehlstellen sollten mit einer Feile geglättet werden, sobald sie sich bemerkbar machen. Eine Schiene mit einem der folgenden Mängel sollte ausgewechselt werden:

Verschleiß in den Schienenstegen, wodurch sich die Kette seitlich legen kann.

- Verbogene Führungsschiene
- Gesprungene oder gebrochene Stege.
- Gespreizte Stege.

Die Führungsschiene ist an der Spitze mit einem Zahnrad versehen. Das Zahnrad muss wöchentlich mit einer Fettpresse geschmiert werden, um die Nutzungsdauer der Führungsschiene zu verlängern (Abb. P3 & P4). Drehen Sie am **Zahnrad (P-3)** und füllen Sie dabei das hellgelbe, **hellrote oder halbtransparente** Schmierfett in das **Schmierloch (P-4)** ein, bis das Zahnrad komplett neu gefettet ist. Füllen Sie keinen Schmutz in das Loch.

P-1	Schienenstege	P-3	Zahnrad
P-2	Schmierloch	P-4	Schmierloch

WARTUNG DER KETTE

Verwenden Sie für diese Säge nur rückschlagarme Ketten.

Diese Schnellsägekette sorgt für eine Reduzierung des Rückschlags, wenn sie sachgemäß gewartet wird.

Eine sachgemäß geschärfte Sägekette durchtrennt Holz mühelos, selbst mit sehr wenig Druck. Benutzen Sie niemals eine stumpfe oder beschädigte Sägekette. Eine stumpfe Sägekette führt zu erhöhter körperlicher Belastung, erhöhter Beanspruchung durch Vibration, zu einem mangelhaften Schnitt und erhöhtem Verschleiß.

Für ein schnelles und reibungsloses Sägen muss die Kette ordnungsgemäß gewartet werden. Die Kette muss geschärft werden, wenn die Holzspäne klein und pulvrig sind, wenn ein größerer Kraftaufwand beim Sägen des Holzes erforderlich ist oder die Kette zu einer Seite zieht. Berücksichtigen Sie bei der Wartung Ihrer Kette Folgendes:

- Ein falscher Schleifwinkel der Seitenfläche kann das Risiko eines heftigen Rückschlags erhöhen.
- Tiefenmaß-Toleranz Ein zu tiefes Eintauchen erhöht die Rückschlaggefahr. Durch zu flaches Eintauchen nimmt die Sägeleistung ab.
- Falls die Sägezähne auf harte Gegenstände wie Nägel und Steine treffen oder durch Schlamm oder Sand am Holz abgenutzt werden, lassen Sie die Kette von einem qualifizierten Servicetechniker nachschleifen.

HINWEIS: Nachschleif- und Wartungsarbeiten an der **Kettensäge** sollten Sie qualifiziertem Fachpersonal in Partnerwerkstätten überlassen.

TRANSPORT UND LAGERUNG

- Eine laufende Kettensäge darf nicht verstaute oder transportiert werden. Ziehen Sie vor dem Verstaue oder Transportieren immer den Anschlussstecker aus dem Gerät.
- Schieben Sie die Führungsschienen-Schutzhülle über die Führungsschiene und Kette, bevor Sie die Kettensäge verstaue oder transportieren. Nehmen Sie sich vor den scharfen Zähnen der Kette in Acht.
- Reinigen Sie die Kettensäge gründlich, bevor Sie sie verstaue. Lagern Sie die Kettensäge im Haus an einem trockenen Ort, der abgeschlossen und/oder für Kinder nicht erreichbar ist.
- Halten Sie sie von korrosiven Mitteln wie Gartenchemikalien und Streusalz fern.

Schutz der Umwelt



WEEE-Altgeräteverordnung - Elektro-Altgeräte, verbrauchte Akkus und Ladegeräte dürfen nicht im Hausmüll entsorgt werden! Das Gerät muss einer offiziellen Recycling-Sammelstelle zur getrennten Entsorgung zugeführt werden. Elektrowerkzeuge müssen bei einem umweltfreundlichen Recycling-Betrieb abgegeben werden.

STÖRUNGSBEHEBUNG

DE

PROBLEM	URSACHE	LÖSUNG
Motor startet nicht.	<ul style="list-style-type: none"> ■ Der Anschlussstecker der Akkuhalterung ist nicht mit der Kettensäge verbunden. ■ Kein elektrischer Kontakt zwischen Akkuhalterung und Akku. ■ Die Sicherheitsverriegelung ist nicht hochgeklappt. ■ Der Hauptschalter steht auf „OFF“. ■ Die Kettenbremse ist eingerückt. 	<ul style="list-style-type: none"> ■ Den Anschlussstecker der Akkuhalterung an die Kettensäge anschließen. ■ Akku abklemmen, die Kontakte überprüfen und den Akku wieder anschließen. ■ Vor dem Einschalten die Sicherheitsverriegelung hochklappen. ■ Den Hauptschalter auf „ON“ stellen. ■ Ziehen Sie den Kettenbremshebel zurück in Richtung des vorderen Griffs, bis er sich in Betriebsposition befindet.
Kettensäge hält während des Sägens an.	<ul style="list-style-type: none"> ■ Der Akku oder die Kettensäge ist zu heiß. ■ Die Kettensäge ist überlastet. ■ Die Belüftungsöffnung hat sich mit zu vielen Holzspänen zugesezt. ■ Der Akku ist entladen. 	<ul style="list-style-type: none"> ■ Akku oder Kettensäge abkühlen lassen ■ Verringern Sie die Belastung. ■ Sägereste beseitigen, siehe unter „STAUB ENTFERNEN“. ■ Den Akku aufladen
Kettenbremse rückt nicht ein	<ul style="list-style-type: none"> ■ Schmutz behindert das vollständige Aus- und Einfahren des Kettenbremshebels. ■ Mögliche Fehlfunktion der Kettenbremse 	<ul style="list-style-type: none"> ■ Beseitigen Sie die Schmutzrückstände außen an der Kettenbremse. ■ Wenden Sie sich zwecks Reparatur an den EGO-Kundendienst.
Keine Ölschmierung beim Sägen.	<ul style="list-style-type: none"> ■ Der Kettenöltank ist leer. ■ Der Ölausslass an Kette und Schiene ist blockiert. ■ Ölaushärtung bei niedriger Temperatur 	<ul style="list-style-type: none"> ■ Schienen- und Kettenschmiermittel nachfüllen. ■ Beseitigen Sie den Staub am Ölausslass. ■ Füllen Sie geeignetes Sägekettenöl ein (für Tieftemperaturen geeignet)
Die Ölwarnleuchte blinkt rot oder leuchtet ungewöhnlich, während der Öltank nachgefüllt wird.	<ul style="list-style-type: none"> ■ Bei einem bestimmten Arbeitswinkel der Kettensäge kann es vorkommen, dass das Öl aus dem Öltank die Ölleitung nicht erreicht. ■ Die Ölsorte und -farbe ist nicht zu empfehlen. ■ Die Ölwarnleuchte blinkt immer noch rot. 	<ul style="list-style-type: none"> ■ Legen Sie die Kettensäge flach hin und versuchen Sie es erneut. ■ Verwenden Sie das empfohlene hellgelbe, hellrote oder halbtransparente Öl ■ Wenden Sie sich zwecks Reparatur an den EGO-Kundendienst
Die Ölwarnleuchte geht nicht an, wenn nicht mehr genügend Öl im Tank ist.	<ul style="list-style-type: none"> ■ Die Ölsorte und -farbe lässt sich nicht identifizieren. ■ Eine geringe Menge Öl befindet sich immer noch im Öltank oder in der Ölleitung. ■ Aus obigen Gründen funktioniert die Ölwarnleuchte immer noch nicht. 	<ul style="list-style-type: none"> ■ Verwenden Sie das empfohlene hellgelbe, hellrote oder halbtransparente Öl ■ Setzen Sie die Kettensäge eine Weile ein und schauen Sie anschließend erneut nach der Ölwarnleuchte ■ Wenden Sie sich zwecks Reparatur an den EGO-Kundendienst.

GARANTIE

EGO-GARANTIEBEDINGUNGEN

Sämtliche EGO Garantiebedingungen finden Sie auf der Website egopowerplus.com.

LISEZ TOUTES LES INSTRUCTIONS !



LISEZ LE MANUEL D'UTILISATION

FR

⚠ Risques résiduels! Les personnes portant des appareils électroniques, par exemple des stimulateurs cardiaques, doivent consulter leur(s) médecin(s) avant d'utiliser ce produit. L'utilisation d'un équipement électrique près d'un stimulateur cardiaque peut provoquer des interférences ou la panne du stimulateur cardiaque.

SYMBOLE DE SECURITE

L'objectif des symboles de sécurité est d'attirer votre attention sur des dangers potentiels. Les symboles de sécurité et les explications les accompagnant doivent être lus attentivement et compris. Les symboles de mise en garde ne permettent pas par eux-mêmes d'éliminer les dangers. Les consignes et mises en garde ne se substituent pas à des mesures de prévention des accidents appropriées.

⚠ AVERTISSEMENT: Lisez et comprenez impérativement toutes les consignes de sécurité de ce manuel d'utilisation, y compris les symboles de mise en garde de sécurité tels que « **DANGER** », « **AVERTISSEMENT** » et « **ATTENTION** » avant d'utiliser cet outil. Le non-respect de toutes les instructions énumérées ci-dessous peut entraîner un choc électrique, un incendie et / ou des blessures graves.

SIGNIFICATION DES SYMBOLES

Cette page décrit des symboles de sécurité pouvant être présents sur ce produit. Lisez, comprenez et respectez toutes les instructions présentes sur l'outil avant d'essayer de l'assembler et de l'utiliser.

SYMBOLES DE SÉCURITÉ



Alerte de sécurité



Portez des gants de travail robustes en matériau durable.



Portez des chaussures de sécurité antidérapantes.



Attention aux rebonds : tout contact du nez du guide-chaîne avec un objet doit être évité.



Rebond: le contact du nez du guide-chaîne peut provoquer un mouvement brusque vers le haut et en arrière, ce qui peut provoquer des blessures graves.



Les produits électriques usagés ne doivent pas être jetés avec les ordures ménagères. Apportez-les dans un centre de recyclage agréé.

V Volts



Courant continu



Pour réduire le risque de blessures, l'utilisateur doit lire et comprendre le manuel d'utilisation avant d'utiliser ce produit.



Portez des vêtements bien ajustés. Ne portez pas de foulard, de cravate ou de bijoux.



Portez des lunettes de sécurité bien ajustées, des bouchons d'oreille ou un casque antibruit et un casque de sécurité muni d'une mentonnière.



Maintien à deux mains : toujours utiliser la tronçonneuse à deux mains.



Informations sur le guide-chaîne



Ne pas exposer à la pluie.



Bruit



CE

SPÉCIFICATIONS

Tension	56 V	
Température de fonctionnement recommandée :	-15°C-40°C	
Température de stockage recommandée :	-40°C-70°C	
Température de recharge optimale	5°C-40°C	
Longueur de coupe	300 mm	
Vitesse de chaîne	20 m/s	
Pas de chaîne	3/8" (9,5 mm)	
Limiteur de profondeur	1,1 mm	
Type de chaîne	AC1200 (Recommandé) AC1400 (Compatible) AC1600 (Compatible)	
Type de guide-chaîne	AG1200 (Recommandé) AG1400 (Compatible) AG1600 (Compatible)	
Poids (sans la batterie et sans le protège-guide)	3,5 kg	
Niveau de puissance acoustique mesuré L_{WA}	98,8 dB(A) K=3 dB(A)	
Niveau de pression acoustique à la position de fonctionnement L_{PA}	88,1 dB(A) K=3 dB(A)	
Niveau de puissance acoustique garanti L_{WA} (d'après 2000/14/CE)	102 dB(A)	
Vibrations a_h	Poignée avant	1,73 m/s ² K= 1,5 m/s
	Poignée principale	2,21 m/s ² K= 1,5 m/s

- La valeur totale des vibrations indiquée a été mesurée selon une procédure conforme à une méthode de test standardisée et peut servir pour comparer différents outils.
- La valeur totale des vibrations déclarée peut également servir pour effectuer une évaluation préliminaire de l'exposition.

REMARQUE: Le niveau de vibrations lors de l'utilisation réelle de l'outil peut être différent de la valeur déclarée totale en fonction de la manière dont l'outil est utilisé ; Afin de protéger l'opérateur, l'utilisateur doit porter des gants et des protecteurs d'oreilles en conditions réelles d'utilisation.

DESCRIPTION

DESCRIPTION DE VOTRE TRONÇONNEUSE (Image A1)

- Chaîne
- Frein de chaîne
- Languette de verrouillage
- Poignée principale
- Gâchette à vitesse variable
- Ceillet
- Témoin de batterie
- Témoin de niveau d'huile
- Poignée avant
- Bouchon du réservoir d'huile
- Guide-chaîne
- Trou de lubrification
- Pignon d'entraînement
- Vis de tension
- Interrupteur de sécurité MARCHE-ARRET
- Boulon de guide-chaîne
- Ecrou de guide-chaîne
- Capot latéral
- Cache de vis de réglage du débit d'huile
- Capot anti-poussières
- Mécanisme d'éjection
- Contacts électriques
- Bouton de déblocage de la batterie
- Crochet de ceinture
- Boucle
- Sangle
- Câble électrique
- Anneau 1
- Crochet pour tronçonneuse
- Fiche secteur
- Anneau 2
- Protège-guide
- Clé combinée

CONTENU DE L'EMBALLAGE (IMAGE A1)


ASSEMBLAGE

MONTER/DEMONTÉ LE GUIDE ET LA CHAÎNE

AVERTISSEMENT: Débranchez toujours la fiche secteur et munissez-vous de gants de protection avant d'assembler ou d'entretenir le produit.

AVERTISSEMENT: Lisez toutes les consignes de sécurité, les instructions, les illustrations et les spécifications de sécurité fournies avec cet outil électrique. Le non-respect des consignes figurant ci-dessous peut provoquer un choc électrique, un incendie et/ou des blessures graves.

Conservez tous les consignes de sécurité et toutes les instructions pour consultation ultérieure.

1. Assurez-vous que le frein de chaîne est en position .
2. Desserrez l'**écrou du guide-chaîne (A-17)** en le tournant dans le sens inverse des aiguilles d'une montre afin de retirer le **capot latéral (A-18)**.
3. Posez la chaîne en boucle sur une surface plane et redressez tous les maillons. (Fig. B1)
4. Insérez les **maillons d'entraînement (B-1)** de la chaîne dans le **rail du guide (B-2)** et faites une boucle avec la chaîne à l'arrière du guide. (Fig. B2)
5. Maintenez la chaîne en position sur le guide et placez la boucle autour du **pignon d'entraînement (B-3)** de l'unité moteur puis vérifiez les éléments suivants (Fig. B3):
 - a) Les maillons d'entraînement sont placés dans les dents du **pignon d'entraînement (B-3)**.
 - b) **La vis de tension (B-4) et le boulon du guide-chaîne (B-5)** sont situés dans la fente du guide-chaîne. **La broche de tension (B-6)** est engagée dans le trou du guide-chaîne.

REMARQUE: Veillez à ce que les flèches sur les dents de la chaîne soient toujours orientées vers l'avant (Fig. B3).

6. Consultez la section « **MISE SOUS TENSION DE LA CHAÎNE** » pour veiller à ce que la chaîne soit correctement montée sans se gripper.
7. Alignez les deux **tiges de guidage (B-7)** du capot latéral avec les **trous (B-8)** correspondants dans la tronçonneuse puis montez le capot latéral. (Fig. B4)
8. Serrez l'écrou du guide-chaîne.

B-1	Maillons d'entraînement	B-5	Boulon de guide-chaîne
B-2	Rail	B-6	Broche de tension
B-3	Pignon d'entraînement	B-7	Tiges de guidage
B-4	Vis de tension	B-8	Trous

REMARQUE: Si le guide-chaîne doit être remplacé, retirez le capot latéral et remontez-le avec le guide-chaîne neuf comme montré sur la Fig. C.

FUNCTIONNEMENT

APPLICATION

- Cette tronçonneuse est spécialement conçue pour l'élagage et l'entretien des arbres.



La tronçonneuse doit uniquement être utilisée par des personnes spécialement formée à l'entretien des arbres.

REMARQUE: Nous recommandons aux utilisateurs débutants de s'entraîner au moins à couper d'abord des bûches sur un tréteau ou un chevalet.

MISE SOUS TENSION DE LA CHAÎNE

AVERTISSEMENT: Ne touchez jamais et ne réglez jamais la chaîne quand le moteur est en marche. La chaîne est très tranchante ; portez toujours des gants de protection lorsque vous en effectuez l'entretien.

La chaîne se dilate ou se contracte lors de son fonctionnement normal. La tension de la chaîne s'en trouve donc modifiée. Vérifiez régulièrement la tension de la chaîne au cours de l'utilisation et réajustez-la le cas échéant.

1. Mettez la tronçonneuse hors tension, enclenchez le frein de chaîne et débranchez la fiche secteur.
2. Desserrez l'écrou du guide-chaîne de façon à ce que le guide-chaîne puisse bouger librement pour le réglage.
3. Maintenez le nez du guide vers le haut et réglez la vis de tension jusqu'à obtenir les caractéristiques suivantes :
 - a) Le mou de la chaîne au milieu du guide est d'environ : 1 - 2 mm (Fig. D).
 - b) Désenclenchez le frein de chaîne, assurez-vous que la chaîne puisse être tirée le long du guide avec deux doigts.

REMARQUE: Effectuez cette opération avec précaution afin d'éviter tout risque de blessures. Comparé à une tronçonneuse à essence conventionnelle, ce moteur à courant continu contient un matériau magnétique, autrement dit, une certaine résistance se fera sentir lorsque vous déplacez la chaîne avec deux doigts. La chaîne ne se déplace pas aussi facilement qu'avec une tronçonneuse à essence.

4. Maintenez le nez du guide-chaîne vers le haut et resserrez l'écrou du guide-chaîne.

REMARQUE: Si le mou de la chaîne au centre du guide n'est pas de 1 - 2 mm, réajustez la tension de la chaîne.

REMPLISSAGE DU RESERVOIR D'HUILE

1. Retirez la fiche secteur de la tronçonneuse.
2. Placez la tronçonneuse sur le côté sur une surface solide et plane, de sorte que le capuchon du réservoir d'huile pointe vers le haut. Ouvrez le capuchon du réservoir d'huile. S'il est trop serré, utilisez la tête fendue de la clé combinée (fournie) pour le desserrer (Fig. E).

3. Versez soigneusement l'huile dans le réservoir. Remplissez le réservoir jusqu'au goulot de remplissage. Essayez l'huile en excès et fermez le bouchon du réservoir d'huile.

FR

REMARQUE:

- La tronçonneuse n'est pas remplie d'huile lors de son achat. Il faut impérativement remplir son réservoir d'huile avant de l'utiliser. La chaîne est automatiquement lubrifiée avec l'huile pour chaîne pendant l'utilisation.
- Il est spécialement conçu pour réduire les frottements et accélérer les coupes.
- N'utilisez pas d'huiles ni de lubrifiants qui n'ont pas été spécialement conçus pour être utilisés avec des guide-chaînes et des chaînes. En utiliser pourrait boucher le système de distribution de l'huile, ce qui entraînerait l'usure prématurée du guide-chaîne et de la chaîne.

REGLAGE DU DEBIT D'HUILE (Fig. F)

- La tronçonneuse est dotée d'une **vis de réglage du débit d'huile (F-1)** située sur le bas de l'outil. Elle sert à régler le débit d'huile pour lubrifier la chaîne, le guide-chaîne et le système de coupe. L'augmentation ou la réduction du débit d'huile se fait dans le sens des flèches indiquées sur le capot.

VOYANT LED SUR LA TRONÇONNEUSE

La tronçonneuse est munie de 2 voyants LED qui indiquent le niveau d'huile et le niveau de charge de la batterie.

Voyant LED		Signification	Action
Témoin de niveau d'huile (A-8)	Clignote en rouge	Niveau d'huile insuffisant	Remplissez le réservoir d'huile
	Éteint	Niveau d'huile correct	/
Témoin de batterie (A-7)	S'allume en vert	Batterie chargée	/
	Clignote en vert	Batterie presque déchargée et doit être immédiatement rechargée.	Rechargez la batterie

FIXATION DE L'ETUI DE BATTERIE AU BAUDRIER

La tronçonneuse est fournie avec un étui de batterie permettant de porter la batterie et pouvant être fixé à un baudrier (non fourni).

REMARQUE: Veuillez bien fixer l'étui de batterie au baudrier avant de vous équiper du baudrier.

1. Choisissez l'endroit le mieux adapté du baudrier sur lequel suspendre l'étui de batterie. Suspendez l'étui au baudrier à l'aide du **crochet de ceinture (G-1)**. (Fig. G1)
2. Enroulez la ceinture autour du baudrier pour fixer l'étui de batterie (Fig. G2 & G3).
3. Fixez deux **anneaux (G-2)** du câble électrique au baudrier à l'aide de deux mousquetons (non fournis), comme montré à la Fig G4.

G-1	Crochet de ceinture	G-2	Anneaux
-----	---------------------	-----	---------

REMARQUE:

- Lorsque vous grimpez sur l'arbre, fixez les anneaux 1 et 2 du câble électrique au baudrier à l'aide de mousquetons (non fournis) (Fig. G5).
- Lorsque vous utilisez l'outil, détachez l'anneau 2 du baudrier et maintenez la tronçonneuse à deux mains pour effectuer la coupe (Fig. G6).

FIXATION DE LA TRONÇONNEUSE A L'ETUI DE BATTERIE

Faites passer le **crochet (H-2)** du câble électrique à travers l'**œillet (H-1)**. (Image H).

H-1	Œillet	H-2	Crochet
-----	--------	-----	---------

INSTALLER/RETIRER LA BATTERIE

REMARQUE: Chargez la batterie au maximum avant sa première utilisation.

Installation (Image I1)


Alignez les nervures de la batterie avec les rainures d'assemblage et glissez la batterie dans l'étui jusqu'à enclenchement.

Retrait (Image I2)

Appuyez avec le pouce sur le bouton de déblocage de la batterie pour la retirer.

DÉMARRER/ÉTEINDRE LA TRONÇONNEUSE

Démarrage

1. Alignez les marques « ▲ » de la **fiche secteur (J-2)** et de la **prise électrique (J-1)** de la tronçonneuse puis insérez la fiche dans la tronçonneuse jusqu'à ce que le joint VERT de la fiche disparaisse COMPLETEMENT dans la prise (Fig. J1).
2. Poussez le bouton « ON/OFF » en position « **ON** » (MARCHE) (Fig. J2).
3. Tirez le frein de chaîne vers la poignée principale en position .


4. Poussez la **languette de verrouillage (J-3)** en avant puis appuyez sur la **gâchette à vitesse variable (J-4)**. Plus vous appuyez sur la gâchette, plus la vitesse de rotation de la chaîne sera élevée (Fig. J3).

J-1	Prise électrique	J-3	Languette de verrouillage
J-2	Fiche secteur	J-4	Gâchette à vitesse variable

Arrêt

1. Relâchez la gâchette pour arrêter la tronçonneuse.

REMARQUE: La chaîne continue de tourner pendant quelques instants après le relâchement de la gâchette. Veillez à éviter tout contact après relâchement de la gâchette et pose de la tronçonneuse.

2. Poussez le frein de chaîne en avant en position de frein «».
3. Poussez le bouton « ON/OFF » en position « OFF » (ARRET).

⚠ AVERTISSEMENT: Débranchez toujours la fiche secteur de la tronçonneuse pendant les pauses et après avoir terminé votre travail.

PRÉPARATION POUR LA COUPE

Bonne prise des poignées (Image K)

- Portez des gants antidérapants afin de maximiser la prise et la protection.
- Saisissez toujours la poignée avant avec la main gauche et la poignée principale avec la main droite.
- Les doigts doivent enserrer les poignées avec le pouce placé sous la poignée avant.

⚠ AVERTISSEMENT: N'utilisez jamais de prise inversée (les bras croisés), ou toute autre position qui placeraït votre corps ou votre bras dans l'axe de la chaîne.

⚠ AVERTISSEMENT: Ne pressez pas la gâchette avec votre main gauche en tenant la poignée avant avec votre main droite. Ne placez jamais une partie de votre corps dans l'axe de la chaîne lorsque vous utilisez une tronçonneuse (Fig. L).

CONTROLE DE LA LUBRIFICATION DE LA CHAÎNE (Fig. M)

REMARQUE: Assurez-vous que le réservoir d'huile de la tronçonneuse est rempli de suffisamment d'huile.

1. Maintenez le guide-chaîne au-dessus d'une surface de couleur claire.
2. Mettez la tronçonneuse sous tension. Vous verrez une ligne transparente d'huile sur la surface de couleur

claire après 1 minute, si la lubrification de la chaîne fonctionne correctement.

3. Si l'huile n'est pas visible sur la surface de couleur claire, consultez la partir « **REGLAGE DU DEBIT D'HUILE** » pour l'ajuster

FR

UTILISATION DANS UN ARBRE

⚠ ATTENTION: lorsque vous travaillez ou grimpez dans un arbre, il est recommandé d'utiliser un support supplémentaire, tel qu'un repose-pied ou une lanière réglable afin d'éviter de perdre l'équilibre ou de vous couper.

Avant utilisation, veuillez vérifier les éléments suivants :

- Contrôlez les signes d'usure du **pignon d'entraînement (N-1)**. Si l'usure dépasse une profondeur de 0,5 mm, contactez votre réparateur EGO pour remplacer le pignon d'entraînement.
- Contrôlez également le système de freinage, si les signes d'usure sur les **garnitures de frein (N-2)** sont inégales, contactez votre réparateur EGO pour remplacer les garnitures de frein. (Fig. N)

N-1	Pignon d'entraînement	N-2	Garniture de frein
-----	-----------------------	-----	--------------------

- Pour le contrôle du guide-chaîne, voir la partie: **ENTRETIEN DU GUIDE-CHAÎNE**
- Pour le contrôle de la chaîne, voir la partie: **ENTRETIEN DE LA CHAÎNE**
- Pour tester le frein de chaîne, voir la partie: **DISPOSITIFS DE SÉCURITÉ CONTRE LES REBONDS DE CETTE**

TRONÇONNEUSE

- Pour le contrôle des commandes, voir la partie: **DÉMARRER/ÉTEINDRE LA TRONÇONNEUSE**
- Pour le contrôle du graissage de la chaîne, voir la partie: **CONTROLE DU GRAISSAGE DE LA CHAÎNE**

ENTRETIEN

NETTOYAGE

- Après chaque utilisation, enlevez les débris de la chaîne et du guide avec une brosse souple. Essuyez la surface de la tronçonneuse avec un chiffon propre humidifié avec une solution savonneuse douce.
- Pour un nettoyage en profondeur, retirez le capot latéral, enlevez le guide-chaîne et la chaîne puis utilisez une brosse douce pour retirer soigneusement les débris du guide-chaîne, de la chaîne et du pignon d'entraînement sur le bloc-moteur de la tronçonneuse.

- Enlevez tous les copeaux de bois, les sciures et les saletés du rail du guide quand vous changez la chaîne.

FR

RETRAIT DE LA POUSSIERE

1. Débranchez la fiche secteur, laissez la tronçonneuse refroidir et serrez le bouchon du réservoir d'huile.
2. Enclenchez le frein
3. Utilisez la clé combinée (fournie) pour desserrer la vis du **couvrele du capot anti-poussières (O-1)** pour l'ouvrir (Fig. O1).
4. Nettoyez la sciure et les copeaux accumulés dans l'ailette de refroidissement en utilisant de l'air comprimé, soufflez-les depuis l'**entrée d'air (O-2)** du côté opposé. (Fig. O2).

O-1	Capot anti-poussières	O-2	Entrée d'air
-----	-----------------------	-----	--------------

ENTRETIEN DU GUIDE-CHAÎNE

Lorsque le guide-chaîne présente des signes d'usure, démontez-le du bloc-moteur de la tronçonneuse, retournez-le et remontez-le (Fig. P1) de façon à répartir l'usure pour une durée de vie maximale.

Le guide doit être nettoyé, y compris les **rails du guide (P-1)** et le **trou de lubrification (P-2)**, chaque jour d'utilisation et inspecté pour contrôler son usure et sa détérioration (Fig. P2). L'apparition de bavures et l'amincissement du guide font partie du processus normal d'usure du guide. Ces défauts doivent être lissés avec une lime dès leur apparition. Un guide présentant l'un des défauts suivants doit être changé.

Usure interne du rail du guide permettant à la chaîne de se coucher sur le côté.

- Guide tordu.
- Rail fissuré ou cassé.
- Rail élargi.

Le guide comporte un pignon à son extrémité. Le pignon doit être lubrifié toutes les semaines avec une seringue à graisse pour prolonger la durée de vie du guide (Fig. P3 et P4). Tournez le **pignon d'entraînement (P-3)** tout en pompant la graisse **jaune translucide, rouge translucide ou translucide** dans le **trou de lubrification (P-4)** jusqu'à ce que la totalité du pignon soit graissé. N'insérez pas de saletés dans le trou.

P-1	Rails du guide	P-3	Pignon d'entraînement
P-2	Trou de lubrification	P-4	Trou de lubrification

ENTRETIEN DE LA CHAÎNE

N'utilisez que des chaînes à faible rebond avec cette scie. Cette chaîne à coupe rapide permet de réduire les

rebonds quand elle est correctement entretenue.

Une chaîne correctement affûtée coupe le bois sans effort, même en appuyant très faiblement. N'utilisez jamais de chaîne émoussée ou endommagée. Si la chaîne est émoussée, cela accroît la fatigue physique, les vibrations, engendre des résultats de coupe non satisfaisants et accroît l'usure.

Pour que les coupes soient rapides et fluides, la chaîne doit être correctement entretenue. La chaîne doit être affûtée quand les copeaux de bois sont petits et poudreux, quand la chaîne doit être forcée dans le bois pendant la coupe ou quand elle ne coupe que d'un côté. Pendant l'entretien de votre chaîne, prenez en compte les points suivants :

- Si l'angle d'affûtage par rapport à la platine latérale est incorrect, cela accroît le risque d'un rebond puissant.
- Réglage des limiteurs de profondeur. Si le retrait des limiteurs de profondeur est trop bas, cela augmente le risque de rebond. S'il n'est pas assez bas, cela réduit la capacité de coupe.
- Si les tranchants des gouges percutent des objets durs, par exemple des clous ou des pierres, ou s'ils ont été abrasés par de la boue ou du sable présent sur le bois, faites affûter la chaîne par un réparateur qualifié.

REMARQUE: il est recommandé de faire affûter et entretenir la **chaîne** par un réparateur agréé.

TRANSPORT ET RANGEMENT

- Ne rangez pas et ne transportez pas la tronçonneuse quand elle est en marche. Débranchez toujours la fiche secteur de l'outil avant de la ranger ou de la transporter.
- Recouvrez toujours le guide et la chaîne avec le protège-guide avant de ranger ou de transporter la tronçonneuse. Faites attention pour éviter qu'il ne soit endommagé par les gouges de la chaîne.
- Nettoyez soigneusement la tronçonneuse avant de la ranger. Rangez la tronçonneuse en intérieur, dans un endroit sec verrouillé et/ou hors de portée des enfants.
- Veillez à ce qu'elle reste à l'écart de produits corrosifs, par exemple les produits chimiques de jardinage et les sels de déverglacage.

Protection de l'environnement



DEEE (déchet d'équipement électrique et électronique) Ne jetez pas les équipements électriques, les batteries et les chargeurs usagés avec les ordures ménagères ! Apportez ce produit dans un centre de recyclage agréé pour qu'il fasse l'objet d'une collecte séparée. Les outils électriques doivent être amenés dans un centre de recyclage pour assurer le respect de l'environnement.

DÉPANNAGE

FR

PROBLÈME	CAUSE	SOLUTION
Le moteur ne fonctionne pas.	<ul style="list-style-type: none"> ■ La fiche de l'étui de batterie n'est pas connectée à la tronçonneuse. ■ Il n'y a pas de contact électrique entre l'étui de batterie et la batterie. ■ La languette de verrouillage n'est pas repliée. ■ L'interrupteur « ON-OFF » est sur « OFF ». ■ Le frein de chaîne est engagé. 	<ul style="list-style-type: none"> ■ Branchez la fiche secteur de l'étui de batterie à la tronçonneuse. ■ Retirez la batterie, inspectez les contacts, puis réinsérez la batterie. ■ Repliez la languette de verrouillage avant le démarrage. ■ Poussez le bouton « ON/OFF » en position « ON » (MARCHE). ■ Tirez le frein de chaîne en arrière vers la poignée avant jusqu'à la position de travail.
La tronçonneuse s'arrête en cours de fonctionnement.	<ul style="list-style-type: none"> ■ La batterie ou la tronçonneuse est trop chaude. ■ Le moteur est en surcharge. ■ Des copeaux de bois bloquent le conduit de ventilation. ■ La batterie est déchargée. 	<ul style="list-style-type: none"> ■ Laissez la batterie ou la tronçonneuse refroidir ■ Diminuez la charge. ■ Nettoyez la poussière en vous référant à la partie « RETRAIT DE LA POUSSIERE ». ■ Rechargez la batterie.
Le frein de chaîne ne s'enclenche pas.	<ul style="list-style-type: none"> ■ Des débris empêchent le mouvement complet du frein de chaîne. ■ Dysfonctionnement possible du frein de chaîne. 	<ul style="list-style-type: none"> ■ Enlevez les débris du mécanisme externe du frein de chaîne ■ Contactez le service client EGO pour la réparation.
Aucune lubrification lors de la coupe.	<ul style="list-style-type: none"> ■ Le réservoir d'huile est vide. ■ La sortie d'huile du guide-chaîne est obstruée ■ Solidification de l'huile à basse température 	<ul style="list-style-type: none"> ■ Ajoutez du lubrifiant de guide et de chaîne. ■ Retirez la poussière de la sortie d'huile. ■ Utilisez une huile de graissage appropriée (qui convient aux basses températures)
Le témoin de niveau d'huile clignote en rouge ou émet une lumière inhabituelle alors que le réservoir est rempli d'huile..	<ul style="list-style-type: none"> ■ L'utilisation de la machine à un certain angle fait que l'huile du réservoir ne parvient pas jusqu'au tuyau d'huile. ■ Le type d'huile et sa couleur ne sont pas recommandés. ■ Le témoin de niveau d'huile continue de clignoter en rouge. 	<ul style="list-style-type: none"> ■ Mettez la tronçonneuse à plat et réessayez. ■ Utilisez l'huile recommandée : jaune translucide, rouge translucide ou translucide ■ Contactez le service client EGO pour la réparation.
Le témoin de niveau d'huile ne fonctionne pas alors que le réservoir manque d'huile.	<ul style="list-style-type: none"> ■ Le type d'huile et sa couleur ne sont pas reconnus. ■ Il reste une petite quantité d'huile dans le réservoir ou le tuyau d'huile ■ Le témoin de niveau d'huile ne fonctionne toujours pas pour les raisons indiquées ci-dessus. 	<ul style="list-style-type: none"> ■ Utilisez l'huile recommandée : jaune translucide, rouge translucide ou translucide ■ Utilisez la tronçonneuse pendant un certain temps puis observez à nouveau le témoin de niveau d'huile ■ Contactez le service client EGO pour la réparation.

GARANTIE

POLITIQUE DE GARANTIE EGO

Visitez le site Web egopowerplus.com pour consulter les conditions complètes de la politique de garantie EGO.

¡LEA TODAS LAS INSTRUCCIONES!



LEA EL MANUAL DEL USUARIO

ES

⚠ ¡Riesgo residual! Las personas con implantes electrónicos, como marcapasos, deberán consultar a su médico antes de utilizar este producto. La utilización de equipos eléctricos en las proximidades inmediatas de un marcapasos podría causar en este interferencias o averías.

SÍMBOLO DE SEGURIDAD

El propósito de los símbolos de seguridad es atraer su atención hacia posibles peligros. Los símbolos de seguridad y las explicaciones que los acompañan requieren su máxima atención y comprensión. Por sí solos, los símbolos de advertencia no eliminan los posibles peligros. Las instrucciones y advertencias que proporcionan no sustituyen a las medidas adecuadas de prevención de accidentes.

⚠ ADVERTENCIA: Antes de utilizar esta herramienta, asegúrese de haber leído y entendido perfectamente todas las instrucciones que aparecen en este manual del usuario, incluidos todos los símbolos de aviso sobre seguridad, como «PELIGRO», «ADVERTENCIA» y «PRECAUCIÓN». Si no se observan todas las instrucciones que se indican a continuación existe riesgo de incendio, electrocución y lesiones graves.

SIGNIFICADO DE LOS SÍMBOLOS

Esta página muestra y describe los símbolos de seguridad que puede haber en este producto. Asegúrese de leer, comprender y cumplir todas las instrucciones que se indican en la máquina antes de proceder a su montaje y utilización.

SÍMBOLOS DE SEGURIDAD



Aviso de seguridad



Utilice guantes resistentes fabricados con material duradero.



Utilice calzado de seguridad antideslizante.



Tenga cuidado con el retroceso: debe evitarse el contacto de la punta de la espada con cualquier objeto.



Retroceso de la punta de la espada: el contacto de la punta con algún objeto puede hacer que rebote bruscamente hacia arriba y hacia atrás, pudiendo provocar lesiones graves.



Los productos eléctricos no deben eliminarse con la basura doméstica. Llévelos a un centro de reciclaje autorizado.

V Voltios



Corriente continua



Para reducir el riesgo de lesiones, el usuario debe leer y comprender el manual del usuario antes de utilizar este producto.



Utilice ropa ajustada. No utilice ninguna bufanda, pañuelo en el cuello ni joyas.



Utilice gafas de seguridad, tapones para los oídos u orejeras del tamaño adecuado y un casco duro con tira en la barbilla



Sujetar con las dos manos: utilice siempre ambas manos cuando use la motosierra.



Observe la información referente a la espada.



No exponga el aparato a la lluvia.



Ruido

CE CE

ESPECIFICACIONES

Tensión	56 V	
Temperatura de funcionamiento recomendada:	-15°C-40°C	
Temperatura de almacenamiento recomendada:	-40°C-70°C	
Temperatura óptima de carga	5°C-40°C	
Longitud de corte	300 mm	
Velocidad de la cadena	20 m/s	
Paso de cadena	3/8" (9,5mm)	
Calibre de la cadena	1,1 mm	
Tipo de cadena de la motosierra	AC1200 (recomendado) AC1400 (compatible) AC1600 (compatible)	
Tipo de espada	AG1200 (recomendado) AG1400 (compatible) AG1600 (compatible)	
Peso (sin batería ni protector de espada)	3,5 kg	
Nivel de potencia acústica medido L_{WA}	98,8 dB(A) K=3 dB(A)	
Nivel de presión acústica medido en la posición del usuario L_{PA}	88,1 dB(A) K=3 dB(A)	
Nivel de potencia acústica garantizado L_{WA} (medido según 2000/14/CE)	102 dB(A)	
Nivel de vibraciones a_h	Empuñadura delantera	1,73 m/s ² K= 1,5 m/s
	Empuñadura principal	2,21 m/s ² K= 1,5 m/s

- El valor de vibración total ha sido medido de acuerdo con el método de prueba estándar y se puede utilizar para comparar herramientas.
- El valor total de vibración declarado se puede usar además en una evaluación preliminar del grado de exposición.

AVISO: Las vibraciones generadas durante el uso real de la herramienta eléctrica pueden diferir del valor declarado en función de la manera en que se utilice. Como protección, el usuario debería utilizar guantes y protectores auditivos en condiciones reales de uso.

DESCRIPCIÓN

FAMILIARÍCESE CON SU MOTOSIERRA (fig. A1)

- Cadena de la sierra
- Palanca de freno de retroceso
- Lengüeta de bloqueo
- Empuñadura principal
- Gatillo interruptor para la velocidad variable
- Anilla
- Indicador de la batería
- Indicador de nivel de aceite bajo
- Empuñadura delantera
- Tapón del depósito de aceite
- Espada
- Orificio de lubricación
- Piñón
- Tornillo de tensión de la cadena
- Interruptor de encendido/apagado de seguridad
- Perno de guía
- Tuerca de la espada
- Conjunto de la tapa lateral
- Tapa del tornillo de ajuste del flujo de aceite
- Cubierta de eliminación de polvo
- Mecanismo de expulsión
- Contactos eléctricos
- Botón de liberación de la batería
- Gancho del cinturón
- Hebilla
- Correa
- Estrobo
- Anilla 1
- Gancho de la sierra
- Enchufe
- Anilla 2
- Funda de la espada
- Llave combinada

ES

LISTA DE CONTENIDO (FIG. A1)


MONTAJE

MONTAJE Y DESMONTAJE DE LA ESPADA Y LA CADENA

⚠ ADVERTENCIA: Desconecte siempre el enchufe y lleve guantes de protección antes de montar el producto o realizar tareas de mantenimiento.

⚠ ADVERTENCIA: Lea todas las advertencias de seguridad, instrucciones, ilustraciones y especificaciones incluidas con esta herramienta eléctrica. Si no se cumplen todas las instrucciones que se enumeran a continuación, pueden producirse descargas eléctricas, incendios o lesiones graves.

Conserve todas las instrucciones y advertencias para poder consultarlas en el futuro.

1. Compruebe que la palanca de freno de retroceso esté en la posición .
2. Desenrosque la **tuerca de la espada (A-17)** en sentido antihorario para quitar el **conjunto de la tapa lateral (A-18)**.
3. Coloque la cadena cerrada de motosierra sobre una superficie plana y enderece cualquier doblez. (Fig. B1)
4. Coloque los **eslabones de arrastre (B-1)** en el **carril (B-2)** de la espada, y haga un bucle con la cadena en la parte trasera de la espada. (Fig. B2)
5. Sujete la cadena en su sitio en la espada y pase el bucle alrededor del **piñón de la cadena (B-3)** del cabezal de la motosierra, y compruebe los elementos siguientes (fig. B3):
 - a) Los eslabones de arrastre de la cadena están colocados en los dientes del **piñón de la cadena (B-3)**.
 - b) El **tornillo de tensión de la cadena (B-4)** y el **perno de guía (B-5)** se encuentran en la ranura de la espada. La **espiga de tensión (B-6)** está enclavada en el orificio de la espada.

AVISO: Asegúrese de que los dientes de la cadena de la sierra estén orientados siempre hacia delante (Fig. B3).

6. Consulte el aparatado «**TENSAR LA CADENA DE LA SIERRA**» para comprobar que la cadena esté instalada correctamente y que no esté trabada.
7. Alinee las dos **barras de guía (B-7)** del conjunto de la tapa lateral respecto a los **orificios (B-8)** de la sierra y, a continuación, instale el conjunto de la tapa lateral. (Fig. B4)
8. Apriete la tuerca de la espada.

B-1	Eslabones de arrastre	B-5	Perno de guía
B-2	Ranura	B-6	Espiga de tensión de la cadena
B-3	Piñón de la cadena	B-7	Barras de guía
B-4	Tornillo de tensión de la cadena	B-8	Orificios

AVISO: Si fuese necesario cambiar la espada, desmonte el conjunto de la tapa lateral y vuelva a montarlo con la nueva espada como se muestra en la fig. C.

FUNCIONAMIENTO

UTILIZACIÓN

30

- La motosierra está diseñada específicamente para tareas de poda y mantenimiento en árboles.



Esta sierra solo deben utilizarla las personas que hayan recibido una formación específica para realizar trabajos de mantenimiento de árboles.

AVISO: Cuando una persona vaya a utilizar la motosierra por primera vez, se recomienda que practique como mínimo cortando troncos sobre un caballete para serrar o un soporte.

TENSAR LA CADENA DE LA SIERRA

⚠️ ADVERTENCIA: Nunca toque ni ajuste la cadena con el motor en marcha. La cadena está muy afilada; utilice siempre guantes de protección para realizar cualquier tarea de mantenimiento en la cadena.

La cadena se expande o se contrae durante el uso normal de la sierra. Esto provoca cambios en la tensión de la cadena. Compruebe regularmente la tensión de la cadena cuando utilice la sierra, y reajústela cuando sea necesario.

1. Apague la motosierra, accione el freno de la cadena y desconecte el enchufe.
2. Suelte la tuerca de la espada de modo que se pueda mover libremente la espada para el ajuste posterior.
3. Mantenga la punta de la espada hacia arriba y ajuste el tornillo de tensión hasta que se apliquen los puntos siguientes:
 - a) La holgura de la espada en el centro de la cadena es aproximadamente: 1 - 2 mm (fig. D).
 - b) Suelte el freno de la cadena, asegúrese de que la cadena se pueda pasar a lo largo de la espada con dos dedos.

AVISO: Realice este paso con cuidado para evitar lesiones. Debido a que este motor de CC contiene material magnético, en comparación con una motosierra convencional a gasolina, cuando se mueve la cadena con dos dedos se nota cierta resistencia. No es tan suave como en una motosierra a gasolina.

4. Mantenga la punta de la espada hacia arriba y apriete la tuerca de la espada.

AVISO: En caso de que la cadena no tenga una holgura de 1 - 2 mm, reajuste la tensión de la cadena.

LLENAR EL DEPÓSITO DE ACEITE

1. Desconecte el enchufe de alimentación de la motosierra.
2. Coloque la motosierra de costado sobre una superficie firme y plana, de manera que el tapón del depósito de aceite quede hacia arriba. Abra el tapón del depósito de aceite. Si está demasiado apretado, utilice el lado de ranura de la llave combinada (incluida) para aflojarlo (fig. E).

- Con cuidado, vierta aceite en el depósito. Llene el depósito hasta alcanzar la parte inferior de la boca de llenado. Limpie con un paño el exceso de aceite y cierre el tapón.

AVISO:

- La motosierra no se suministra llena de aceite. Es esencial llenar de aceite el depósito antes de utilizarla. La cadena se lubrica de forma automática con aceite para cadenas durante el funcionamiento.
- Este ha sido especialmente diseñado para proporcionar una menor fricción y unos cortes más rápidos.
- Nunca utilice aceites o lubricantes no diseñados específicamente para espadas y cadenas. De lo contrario, podrían producirse obstrucciones en el sistema de lubricación que podrían provocar el desgaste prematuro de la espada y la cadena.

AJUSTAR EL FLUJO DE ACEITE (Fig. F)

- Esta sierra está equipada con un **tornillo de ajuste del flujo de aceite (F-1)**, situado en la parte inferior de la herramienta, que sirve para ajustar el flujo de aceite para lubricar la cadena, la espada y el sistema de corte. Aumente o reduzca el flujo de aceite en la dirección de las flechas marcadas en la carcasa.

INDICADOR LED EN LA MOTOSIERRA

La motosierra está equipada con dos indicadores LED que muestran el nivel de aceite y el nivel de carga de la(s) batería(s).

Indicador LED	Significado	Acción	
Indicador de nivel de aceite bajo (A-8)	Parpadando en rojo	Nivel de aceite bajo	Llene el depósito de aceite
	Apagado	Nivel de aceite adecuado	/
Indicador de la batería (A-7)	Encendido en verde	La batería tiene suficiente energía	/
	Parpadando en verde	La batería está casi agotada y debe recargarse inmediatamente.	Cargue la batería

CONECTAR EL SOPORTE DE LA BATERÍA AL ARNÉS DE ESCALADA

Esta motosierra incluye un soporte de batería que sirve para llevar la batería y que se puede conectar al arnés de escalada (no incluido).

AVISO: Sujete firmemente el soporte de la batería en el arnés de escalada antes de ponerse el arnés.

- Escoja el lugar que prefiera para colgar el soporte de la batería en el arnés de escalada, y enganche el soporte de la batería al arnés utilizando el **gancho del cinturón (G-1)**. (Fig. G1)
- Pase la cinta alrededor del arnés de escalada para fijar en su lugar el soporte de la batería (fig. G2 y G3).
- Enganche las **dos anillas (G-2)** del estrobo de seguridad al arnés de escalada, utilizando dos mosquetones (no incluidos), como se muestra en la fig. G4.

G-1	Gancho del cinturón	G-2	Anillas
-----	---------------------	-----	---------

AVISO:

- Cuando esté subiendo al árbol, enganche las anillas 1 y 2 del estrobo de seguridad al arnés de escalada utilizando mosquetones (no incluidos) (fig. G5).
- Cuando esté usando la herramienta, desenganche la anilla 2 del arnés de escalada, y sujete la sierra con las dos manos para realizar el corte (fig. G6).

ENGANCHAR LA BATERÍA AL SOPORTE

Una el **gancho de la sierra (H-2)** del estrobo de seguridad a la **anilla (H-1)**. (Fig. H)

H-1	Anilla	H-2	Gancho de la sierra
-----	--------	-----	---------------------

INSTALAR/QUITAR LA BATERÍA

AVISO: Cargue totalmente la batería antes del primer uso.

Instalación (fig. I1)

Alinee las nervaduras de la batería con las ranuras de montaje; a continuación, introduzca la batería en el soporte, deslizándola hasta que quede enclavada en la posición correcta.


Extracción (fig. I2)

Presione el botón de liberación de la batería con el pulgar para quitarla del soporte.

PUESTA EN MARCHA/PARADA DE LA MOTOSIERRA

Puesta en marcha

- Alinee las marcas «▲» del **enchufe (J-2)** y de la **conexión de alimentación eléctrica (J-1)** de la motosierra. A continuación, inserte el enchufe en la motosierra hasta que la junta VERDE del enchufe desaparezca **COMPLETAMENTE** al quedar introducida en la conexión de alimentación (fig. J1).


2. Ponga el interruptor de encendido/apagado «ON/OFF» en la posición «ON» (fig. J2).
3. Tire de la palanca del freno de retroceso hacia la empuñadura principal hasta la posición .
4. Mueva hacia delante la **lengüeta de bloqueo (J-3)** y, a continuación, apriete el **gatillo interruptor para la velocidad variable (J-4)**. Cuanto más apriete el gatillo para la velocidad variable, mayor será la velocidad de giro de la cadena (fig. J3).

J-1	Conexión de alimentación eléctrica	J-3	Lengüeta de bloqueo
J-2	Enchufe	J-4	Gatillo interruptor para la velocidad variable

Parada

1. Suelte el gatillo interruptor para la velocidad variable para parar la motosierra.

AVISO: La cadena de la sierra seguirá girando brevemente después de soltar el gatillo interruptor para la velocidad variable. Tenga cuidado de evitar el contacto después de soltar el gatillo interruptor para la velocidad variable y cuando deposite la motosierra.

2. Empuje hacia delante la palanca de freno de retroceso hasta la posición «».
3. Ponga el interruptor de encendido/apagado «ON/OFF» en la posición «OFF».

⚠ ADVERTENCIA: Desconecte siempre el enchufe de la motosierra durante las pausas de trabajo y cuando haya finalizado la tarea.

PREPARACIÓN PARA EL CORTE

Sujeción correcta de las empuñaduras (fig. K)

- Utilice guantes antideslizantes para un mayor agarre y protección.
- Sujete siempre la empuñadura delantera con la mano izquierda y la empuñadura principal con la mano derecha.
- Los dedos deberán envolver la empuñadura, con el pulgar replegado debajo de la empuñadura delantera.

⚠ ADVERTENCIA: Nunca sujete la motosierra con las manos colocadas al revés de lo indicado (como si fuera zurdo) ni en cualquier otra postura que pudiera colocar su cuerpo o brazo en la trayectoria de la línea de corte de la cadena.

⚠ ADVERTENCIA: No accione el gatillo interruptor con la mano izquierda y sujete la empuñadura delantera con

la mano derecha. No deje nunca que ninguna parte de su cuerpo quede en la trayectoria de la línea de corte de la cadena cuando use una motosierra (fig. L).

COMPROBAR LA LUBRICACIÓN DE LA CADENA (Fig. M)

AVISO: Asegúrese de que el depósito de aceite de la motosierra esté lleno con el volumen adecuado de aceite para cadenas.

1. Mantenga la espada sobre una superficie de color claro.
2. Encienda la motosierra. Si la lubricación de la cadena funciona bien, verá claramente una línea de aceite sobre la superficie de color claro al cabo de 1 minuto.
3. En caso de que todavía no se vea el aceite para cadenas sobre la superficie de color claro, consulte el apartado «AJUSTAR EL FLUJO DE ACEITE» para ajustarlo.

USO EN EL ÁRBOL

⚠ ADVERTENCIA: cuando suba a un árbol o cuando trabaje en él, le recomendamos que utilice un apoyo adicional, como un estribo para el pie o un amarre ajustable, para evitar un accidente por balanceo o corte.

Antes de usar la herramienta, compruebe lo siguiente:

- Observe si hay marcas de desgaste en el **piñón de la cadena (N-1)**. Si las marcas de desgaste tienen una profundidad mayor que 0,5 mm, póngase en contacto con su proveedor de servicio técnico de EGO para que cambie el piñón de la cadena.
- Compruebe también el sistema de frenado. Si las marcas de desgaste en la **guarnición del freno (N-2)** son irregulares, póngase en contacto con su proveedor de servicios de EGO para que cambie la guarnición del freno. (Fig. N)

N-1	Piñón de la cadena	N-2	Guarnición del freno
-----	--------------------	-----	----------------------

- Para comprobar la espada, consulte el apartado correspondiente:
MANTENIMIENTO DE LA ESPADA
- Para comprobar la cadena, consulte el apartado correspondiente:
MANTENIMIENTO DE LA CADENA
- Para comprobar el freno de la cadena, compruebe el apartado correspondiente:
DISPOSITIVOS D SEGURIDAD ANTI-RETROCESO EN ESTA

MOTOSIERRA

- Para comprobar los controles, consulte el apartado correspondiente:
PUESTA EN MARCHA/PARADA DE LA MOTOSIERRA
- Para comprobar la lubricación de la cadena, consulte el apartado correspondiente:
COMPROBAR LA LUBRICACIÓN DE LA CADENA

MANTENIMIENTO

LIMPIEZA

- Después de cada uso, limpie cualquier residuo o acumulación de material de la cadena y la espada utilizando un cepillo suave. Limpie la superficie de la motosierra con un paño limpio, humedecido con una solución de agua y jabón suave.
- Para limpiarla en profundidad, quite el conjunto de la tapa lateral, saque la espada y la cadena de la sierra y, a continuación, utilice un cepillo suave para eliminar a fondo todos los residuos de la espada, la cadena y el piñón en el cabezal de la motosierra.
- Limpie siempre las virutas de madera, serrín y suciedad acumulada en el carril de la espada cuando cambie la cadena.

ELIMINAR EL POLVO

1. Desconecte el enchufe, espere a que la motosierra se enfríe y apriete el tapón del depósito de aceite.
2. Accione el freno de la sierra
3. Use la llave combinada (incluida) para aflojar el tornillo de la **cubierta de eliminación de polvo (0-1)** para abrirla (fig. 01).
4. Limpie el serrín y las virutas que se hayan acumulado en las aletas de refrigeración utilizando aire comprimido seco y soplándolo desde la **entrada de aire (0-2)** en el lado contrario. (Fig. 02).

0-1	Cubierta de eliminación de polvo	0-2	Entrada de aire
-----	----------------------------------	-----	-----------------

MANTENIMIENTO DE LA ESPADA

Cuando observe signos de desgaste en la espada, desmóntela del cabezal de la motosierra y vuelva a montarla en posición invertida (fig. P1), de modo que el desgaste se reparta y se maximice la vida útil de la espada.

La espada, incluyendo los **carriles (P-1)** y el **orificio de lubricación (P-2)**, deberá limpiarse cada día después del uso y examinarse por si presentase desgaste o daños (fig. P2). Los rebordes o rebabas presentes en el carril de la espada son un proceso normal de desgaste de la espada.

Dichas anomalías deberán alisarse con una lima en cuanto se produzcan. Una espada que muestre cualquiera de las siguientes anomalías deberá sustituirse.

Desgaste en el carril de la espada que permite a la cadena acostarse hacia los lados.

- Espada doblada o deformada.
- Carril con grietas o roturas.
- Carril ensanchado.

La espada tiene un piñón en la punta. El piñón deberá lubricarse semanalmente utilizando una jeringa o pistola de engrase, para prolongar la vida útil de la espada (fig. P3 y P4). Gire el **piñón delantero (P-3)** mientras introduce la grasa **amarilla translúcida, roja translúcida o translúcida** en el **orificio de lubricación (P-4)**, hasta que haya grasa nueva en todo el piñón. No introduzca suciedad en el orificio.

P-1	Carriles de la espada	P-3	Piñón
P-2	Orificio de lubricación	P-4	Orificio de lubricación

MANTENIMIENTO DE LA CADENA

Utilice únicamente cadenas de bajo retroceso en esta motosierra. Esta cadena de corte rápido provocará menos retrocesos si se mantiene correctamente.

Una cadena de motosierra correctamente afilada cortará a través de madera sin esfuerzo, incluso ejerciendo una presión mínima. Nunca utilice una cadena embotada o dañada. Unos dientes de corte de cadena embotados requerirán mayor esfuerzo para cortar por parte del usuario, además de generar más vibraciones y proporcionar unos resultados de corte poco satisfactorios, y serán más propensos a sufrir desgaste.

Para poder cortar con suavidad y rapidez, la cadena deberá mantenerse correctamente. Será necesario afilar la cadena cuando las virutas de madera producidas sean pequeñas y de una consistencia polvorienta, cuando sea necesario un gran esfuerzo para que la cadena penetre a través de la madera durante el corte, o si la cadena corta hacia un lado. A llevar a cabo el mantenimiento de la cadena, tenga en cuenta lo siguiente:

- Un ángulo de afilado incorrecto de las placas laterales de los dientes puede aumentar los riesgos de fuerte retroceso.
- Altura del limitador de profundidad. Si es demasiado baja, aumentará la posibilidad de retroceso. Si no es lo bastante baja, disminuirá la capacidad de corte.

- Si los dientes de corte han golpeado objetos duros, como clavos y piedras, o bien han sufrido desgaste debido a fricción con lodo o arena en la madera, confíe el afilado de la cadena a personal técnico cualificado.

ES

AVISO: Se recomienda que el afilado y el mantenimiento de la **cadena de la sierra** se realicen en centros de servicio técnico autorizados.

TRANSPORTE Y ALMACENAMIENTO

- No almacene ni transporte la motosierra mientras está funcionando. Desconecte siempre el enchufe antes de guardar o transportar la herramienta.
- Coloque siempre el protector de espada en la cadena y la espada antes de guardar o transportar la motosierra. Tenga cuidado para evitar cortarse con los dientes afilados de la cadena.
- Limpie a fondo la motosierra antes de guardarla. Guarde la motosierra en interiores, en un lugar seco, cerrado bajo llave o inaccesible para los niños.
- Manténgala apartada de agentes corrosivos, como productos químicos de jardinería y sal para deshielo.

Protección del medio ambiente



RAEE (Residuos de Aparatos Eléctricos y Electrónicos) ¡No elimine aparatos eléctricos, baterías usadas ni cargadores de baterías junto con los desperdicios domésticos! Lleve este producto a un punto de reciclaje autorizado y deposítelo por separado según corresponda. Las herramientas eléctricas se deben llevar a un punto de reciclaje con fin de proteger el medio ambiente.

SOLUCIÓN DE PROBLEMAS

PROBLEMA	CAUSA	SOLUCIÓN
El motor no arranca.	<ul style="list-style-type: none"> El enchufe del soporte de la batería no está correctamente insertado en la motosierra. No hay contacto eléctrico entre el soporte de la batería y la batería. La lengüeta de bloqueo no está levantada. El interruptor de encendido/apagado «ON-OFF» está en la posición «OFF». Freno de cadena activado. 	<ul style="list-style-type: none"> Conecte a la motosierra el enchufe del soporte de la batería. Quite la batería, compruebe los contactos eléctricos y vuelva a instalarla. Levante la lengüeta de bloqueo antes de arrancar la herramienta. Ponga el interruptor de encendido/apagado «ON/OFF» en la posición «ON». Tire hacia atrás de la palanca del freno de retroceso hacia la empuñadura superior, hasta la posición de funcionamiento.
La cadena se para durante el funcionamiento.	<ul style="list-style-type: none"> La batería o la motosierra se han sobrecalentado. La motosierra se ha sobrecargado. Una cantidad excesiva de pedazos de madera bloquea el canal de ventilación. La batería está agotada. 	<ul style="list-style-type: none"> Enfríe la batería o la motosierra. Reduzca la carga. Limpie el polvo. Consulte el apartado «ELIMINAR EL POLVO». Cargue la batería.
El freno de cadena no se activa.	<ul style="list-style-type: none"> Los residuos acumulados impiden el desplazamiento completo de la palanca del freno de retroceso. Posible avería del freno de cadena. 	<ul style="list-style-type: none"> Limpie los residuos del mecanismo del freno de cadena exterior. Póngase en contacto con el departamento de atención al cliente de EGO para solicitar una reparación.
No se realiza la lubricación con aceite durante el corte.	<ul style="list-style-type: none"> El depósito de aceite de cadena está vacío. La salida de aceite de la espada está bloqueada. Solidificación del aceite a baja temperatura. 	<ul style="list-style-type: none"> Rellene el depósito de lubricante para espada y cadena. Limpie el polvo de la salida de aceite. Cambie al aceite lubricante correcto (adecuado para baja temperatura)
El indicador de nivel de aceite bajo parpadea de color rojo o muestra una luz anómala mientras se llena de aceite el depósito.	<ul style="list-style-type: none"> El uso de la herramienta en un ángulo especial hace que el aceite del depósito no penetre en el conducto de aceite. No se ha usado aceite del color y la categoría recomendados. El indicador de nivel de aceite bajo sigue parpadeando de color rojo. 	<ul style="list-style-type: none"> Coloque la motosierra en posición plana y vuelva a intentarlo. Use el aceite recomendado amarillo translúcido, rojo translúcido o translúcido. Póngase en contacto con el departamento de atención al cliente de EGO para solicitar una reparación.
El indicador de nivel de aceite bajo no funciona cuando queda poco aceite en el depósito.	<ul style="list-style-type: none"> No se puede identificar la categoría y el color del aceite. En el depósito o el conducto de aceite aún queda una pequeña cantidad de aceite El indicador de nivel de aceite bajo sigue sin funcionar por las razones mencionadas arriba. 	<ul style="list-style-type: none"> Use el aceite recomendado amarillo translúcido, rojo translúcido o translúcido. Utilice la motosierra durante un rato y después observe de nuevo el indicador de nivel de aceite bajo. Póngase en contacto con el departamento de atención al cliente de EGO para solicitar una reparación.

ES

GARANTÍA

POLÍTICA DE GARANTÍA DE EGO

Visite la página web egopowerplus.com para conocer los términos y condiciones completos de la política de garantía de EGO.

LEIA TODAS AS INSTRUÇÕES!



LEIA O MANUAL DE INSTRUÇÕES

⚠ Riscos residuais! As pessoas com dispositivos eletrônicos, como pacemakers, deverão consultar o seu médico antes de utilizarem este produto. A utilização de equipamento elétrico perto de um pacemaker pode causar interferências ou falhas no pacemaker.

PT

SÍMBOLO DE SEGURANÇA

O objetivo dos símbolos de segurança é chamar a atenção para possíveis perigos. Os símbolos de segurança e as explicações apresentadas com eles requerem a sua atenção e compreensão. Os avisos de segurança, só por eles, não eliminam o perigo. As instruções e avisos dados não são substitutos para medidas de prevenção adequadas a acidentes.

⚠ AVISO: Certifique-se de que lê e compreende todos os avisos de segurança neste manual do utilizador, incluindo todos os símbolos de alerta de segurança, como “**PERIGO**”, “**AVISO**” e “**CUIDADO**” antes de usar esta ferramenta. Não seguir todas as instruções apresentadas abaixo pode resultar em choque elétrico, incêndio e/ou ferimentos graves.

SIGNIFICADO DOS SÍMBOLOS

Esta página retrata e descreve os símbolos de segurança que podem aparecer neste produto. Leia, compreenda e siga todas as instruções na máquina antes de tentar montar e utilizar.

SAFETY SYMBOLS



Alerta de segurança



Use luvas de trabalho resistentes, fabricadas com material durável.



Use calçado de segurança antiderrapante.



Tenha cuidado com os ressaltos - Evite o contacto da ponta da barra de orientação com qualquer objeto.



Ressalto da ponta da barra de orientação - O contacto da ponta pode fazer com que a barra de orientação suba e retroceda de repente, o que pode causar ferimentos sérios.



Os produtos elétricos residuais não deverão ser eliminados juntamente com o lixo doméstico comum. Entregue-os num centro de reciclagem autorizado.

V Volts



Corrente direta



Para reduzir o risco de ferimentos, o utilizador tem de ler e compreender o manual do utilizador antes de utilizar este produto.



Use roupa justa. Não use cachecol, gravata ou jóias.



Use óculos de segurança justos, proteções auditivas e capacete com alça para o queixo.



Segure com as duas mãos - Utilize sempre ambas as mãos quando utilizar a motosserra.



A informação da barra de orientação.



Não exponha à chuva.



Ruído

CE CE

CARACTERÍSTICAS TÉCNICAS

Voltagem	56 V	
Temperatura de funcionamento recomendada:	-15°C-40°C	
Temperatura de armazenamento recomendada:	-40°C-70°C	
Temperatura de carregamento ótima	5°C-40°C	
Comprimento de corte	300 mm	
Velocidade da corrente	20 m/s	
Engate da serra	3/8" (9,5 mm)	
Extremidade da corrente	1.1 mm	
Tipo de corrente da serra	AC1200 (Recomendado) AC1400 (Compatível) AC1600 (Compatível)	
Tipo de barra de orientação	AG1200 (Recomendado) AG1400 (Compatível) AG1600 (Compatível)	
Peso (sem a bateria, bainha da corrente)	3,5 kg	
Nível de potência do som medido L_{WA}	98,8 dB(A) K=3 dB(A)	
Nível de pressão do som na posição de trabalho L_{PA}	88,1 dB(A) K=3 dB(A)	
Nível de potência do som garantido L_{WA} (de acordo com a 2000/14/CE)	102dB(A)	
Vibração a_n	Pega dianteira	1,73 m/s ² K= 1,5 m/s
	Pega principal	2,21 m/s ² K= 1,5 m/s

- O valor total declarado da vibração foi medido de acordo com um método de teste padrão e pode ser usado para comparar duas ferramentas.
- O valor total declarado da vibração também pode ser usado numa avaliação preliminar da exposição.

AVISO: A emissão de vibrações durante a utilização da ferramenta elétrica pode diferir do valor declarado em que a ferramenta é usada. De modo a proteger o utilizador, este deverá usar luvas e proteção auditiva nas condições atuais de utilização.

DESCRIÇÃO

CONHEÇA A SUA MOTOSSERRA (Imagem A1)

1. Corrente da serra
2. Pá do travão do ressalto
3. Trinco de fixação
4. Pega principal
5. Gatilho da velocidade variável
6. Ilhó
7. Indicador da bateria
8. Indicador de pouco óleo
9. Pega dianteira
10. Tampa do depósito do óleo
11. Barra de orientação
12. Orifício de lubrificação
13. Roda dentada
14. Parafuso de tensão
15. Interruptor de segurança de ligar/desligar
16. Parafuso guia
17. Porca da barra
18. Conjunto da cobertura lateral
19. Cobertura do parafuso de ajuste do fluxo do óleo
20. Cobertura de remoção do pó
21. Mecanismo de ejeção
22. Contactos elétricos
23. Botão de libertação da bateria
24. Gancho da correia
25. Fivela
26. Alça
27. Alça de segurança
28. Anel 1
29. Gancho da serra
30. Ficha elétrica
31. Anel 2
32. Bainha da corrente
33. Chave combinada

PT

LISTA DE PEÇAS (IMAGEM A1)

MONTAGEM

MONTAR/DESMONTAR A BARRA E A CORRENTE

⚠ AVISO: Retire sempre a ficha da tomada e use luvas de proteção antes de proceder à montagem ou manutenção do produto.

⚠ AVISO: Leia todos os avisos de segurança, instruções, ilustrações e especificações fornecidas com esta ferramenta elétrica. Não seguir todas as instruções apresentadas abaixo pode resultar em choque elétrico, incêndio e/ou ferimentos graves.

Guarde todos os avisos e instruções para futuras referências.

1. Certifique-se de que a pá do travão do ressalto está definida para a posição
2. Desenrosque a **porca da barra (A-17)** no sentido inverso ao dos ponteiros do relógio para retirar o **conjunto da cobertura lateral (A-18)**.
3. Coloque a corrente da serra num arco numa superfície plana e endireite quaisquer dobras. (Imagem B1)
4. Coloque os **elos condutores (B-1)** na **ranhura (B-2)** na barra de orientação e faça a corrente criar um arco na parte traseira da barra de orientação. (Imagem B2)
5. Segure a corrente em posição na barra de orientação e coloque o arco à volta da **roda dentada da corrente (B-3)** da cabeça de alimentação, e verifique os seguintes pontos (Imagem B3):
 - a) Os elos condutores da corrente estão assentes nos dentes da **roda dentada da corrente (B-3)**.
 - b) O **parafuso de tensão (B-4)** e o **parafuso guia (B-5)** encontram-se na ranhura da barra de orientação. A **cavilha de tensão (B-6)** está encaixada no orifício da barra de orientação.

AVISO: Certifique-se de que a direção das setas nos dentes da corrente da serra fica sempre virada para a frente (Imagem B3).

6. Consulte a secção **“APERTAR A CORRENTE DA SERRA”** para se certificar de que a corrente fica devidamente montada sem prender.
7. Alinhe as duas **hastes guia (B-7)** do conjunto da cobertura lateral com os respetivos orifícios (B-8) na serra, depois encaixe o conjunto da cobertura lateral. (Imagem B4)
8. Aperte a porca da barra.

B-1	Elos condutores	B-5	Parafuso guia
B-2	Ranhura	B-6	Cavilha de tensão
B-3	Roda dentada da corrente	B-7	Hastes guia
B-4	Parafuso de tensão	B-8	Orifícios

AVISO: Se a barra de orientação tiver de ser substituída, desmonte o conjunto da cobertura lateral e volte a montar com a nova barra de orientação, conforme apresentado na Imagem C.

FUNCIONAMENTO

APLICAÇÃO

38

- Esta motosserra foi criada especificamente para trabalhos em árvores e manutenção.



Ela só deverá ser usada por pessoas com formação especial no trabalho de manutenção de árvores.

AVISO: Recomendamos que, quando utilizar o aparelho pela primeira vez, pratique um pouco, cortando troncos num cavalete ou suporte.

EFETUAR A TENSÃO DA CORRENTE DA SERRA

AVISO: Nunca toque nem ajuste a corrente enquanto o motor estiver a funcionar. A serra está muito afiada. Use sempre luvas de proteção quando efetuar a manutenção da serra.

A corrente da serra expande-se ou contrai durante o funcionamento normal. Como resultado, a tensão da corrente muda. Verifique regularmente a tensão da corrente durante o funcionamento, e reajuste-a se necessário.

1. Desligue a motosserra, ative o travão da corrente e retire a ficha da tomada.
2. Desaperte a porca da barra, de modo a que a barra de orientação se possa mover livremente, para futuros ajustes.
3. Segure o nariz da barra para cima e ajuste o parafuso de tensão até que os seguintes pontos sejam válidos:
 - a) A folga da corrente no centro da barra é de cerca de: 1-2 mm (Imagem D).
 - b) Liberte o travão da corrente e certifique-se de que a corrente pode ser puxada ao longo da barra com os dois dedos.

AVISO: Efetue este passo cuidadosamente para evitar ferimentos pessoais. Como este motor DC contém material magnético, quando comparado com as motosserras a gasolina convencionais, quando utiliza a motosserra com dois dedos, sentirá alguma resistência. Não é tão suave como com motosserras a gasolina.

4. Segure o nariz da barra para cima e aperte a porca da barra.

AVISO: Se a folga da corrente no centro da barra não for de 1 a 2 mm, reajuste a tensão da corrente.

ENCHER O DEPÓSITO DO ÓLEO

1. Retire a ficha da motosserra.
2. Posicione a motosserra de lado numa superfície firme e plana, de modo a que a tampa do depósito do óleo fique virada para cima. Abra a tampa do depósito do óleo. Se estiver muito apertada, use a cabeça ranhurada da chave combinada (fornecida) para a desapertar (Imagem E).

3. Verta cuidadosamente o óleo para o depósito. Encha até ao fundo do pescoço de enchimento. Limpe qualquer excesso de óleo e feche a tampa.

AVISO:

- A motosserra não vem com óleo na altura da compra. É essencial abastecer com óleo antes da utilização. A corrente é lubrificada automaticamente com óleo da corrente durante o funcionamento.
- Foi criado especialmente para fornecer uma baixa fricção e cortes mais rápidos.
- Nunca use óleo ou outros lubrificantes que não tenham sido criados especificamente para serem usados na barra e na corrente. Isto pode dar origem a uma obstrução no sistema do óleo, que pode causar o desgaste prematuro da barra e da corrente.

AJUSTAR O FLUXO DO ÓLEO (Imagem F)

- Esta serra vem equipada com um **parafuso de ajuste do fluxo do óleo (F-1)** localizado no fundo da ferramenta, que é usado para ajustar o fluxo do óleo para lubrificar a corrente, barra e sistema de corte. Aumente ou diminua o fluxo do óleo na direção das setas, conforme assinalado na estrutura.

INDICADOR LED NA MOTOSSERRA

A motosserra vem equipada com 2 indicadores LED para indicar o estado do óleo e o nível de carga da bateria.

Indicador LED	Significado	Ação	
Indicador de pouco óleo (A-8)	Pisca a vermelho	Falta de óleo	Encha o depósito do óleo.
	Desligado	Tem óleo	/
Indicador da bateria (A-7)	Verde brilhante	A bateria está carregada	/
	Pisca a verde	A bateria está quase gasta e tem de ser carregada imediatamente.	Carregue a bateria.

FIXAR O COLDRE DA BATERIA NO ARNÊS

Esta motosserra vem com um coldre da bateria, que é usado para transportar a bateria, e pode ser fixado no arnês (não fornecido).

AVISO: Aperte firmemente o coldre da bateria no arnês antes de usar o arnês.

1. Procure um ponto para pendurar este coldre da bateria no arnês e pendure-o usando o **gancho da**

correia (G-1). (Imagem G1)

2. Passe a correia pelo arnês para fixar o coldre da bateria no lugar (Imagem G2 e G3).
3. Fixe os dois **anéis (G-2)** da alça de segurança no arnês usando dois mosquetões (não fornecidos), conforme apresentado na Imagem G4.

G-1	Gancho da correia	G-2	Anéis
-----	-------------------	-----	-------

AVISO:

- Quando subir a árvore, fixe o anel 1 e 2 da alça de segurança no arnês, usando mosquetões (não fornecidos) (Imagem G5).
- Quando a ferramenta estiver a ser usada, liberte o anel 2 do arnês, segure a serra com ambas as mãos e efetue o corte (Imagem G6).

FIXAR A SERRA NO COLDRE DA BATERIA

Fixe o **gancho da serra (H-2)** da alça de segurança no **ilhó (H-1)**. (Imagem H).

H-1	Ilhó	H-2	Gancho da serra
-----	------	-----	-----------------

INSTALAR/RETIRAR BATERIA

AVISO: Carregue por completo a bateria antes da primeira utilização.

Instalar (Imagem I1)

Alinhe as nervuras da bateria com as ranhuras de fixação, depois faça deslizar a bateria para o coldre até encaixar na respetiva posição.

Retirar (Imagem I2)

Prima o botão de libertação da bateria com o polegar para retirar a bateria.

Para ligar


1. Alinhe as marcas "▲" na ficha da alimentação (J-2) e na tomada elétrica (J-1) da motosserra, depois insira a ficha na motosserra até que o vedante VERDE na ficha desapareça POR COMPLETO na tomada (Imagem J1).
2. Prima o interruptor ON/OFF (Ligar/Desligar) para a posição "ON" (Imagem J2).
3. Puxe a pá do travão do ressalto na direção da pega principal para a posição
4. Mova o **trinco de fixação (J-3)** para a frente e pressione o **gatilho da velocidade variável (J-4)**. Quanto mais pressionar o gatilho da velocidade variável, maior será a velocidade de rotação da corrente da serra (Imagem J3).

J-1	Tomada elétrica	J-3	Trinco de fixação
J-2	Ficha elétrica	J-4	Gatilho da velocidade variável

Para parar

1. Liberte o gatilho da velocidade variável para parar a motosserra.

AVISO: A corrente da serra continua a rodar durante um bocado após libertar o gatilho da velocidade variável. Tenha cuidado para evitar o contacto após libertar o gatilho da velocidade variável e quando largar a motosserra.

2. Pressione a pá do travão do ressalto para a frente para a posição de travagem “”.
3. Coloque o interruptor ON/OFF (Ligar/Desligar) na posição “OFF”.

AVISO: Desligue sempre a ficha da alimentação da motosserra durante pausas de trabalho e após terminar o trabalho.

PREPARAÇÃO PARA O CORTE

Segurar corretamente as pegas (Imagem K)

- Use luvas antiderrapantes para um fixar e proteção máximos.
- Segure sempre a pega dianteira com a mão esquerda e a pega principal com a mão direita.
- Os dedos deverão envolver a pega, com o polegar por baixo da pega dianteira.

AVISO: Nunca use uma pega para canhotos (mãos cruzadas) nem nunca coloque o seu corpo ou braço através da linha da corrente.

AVISO: Não opere o interruptor do gatilho com a mão esquerda nem segure a pega dianteira com a mão direita. Nunca permita que alguma parte do seu corpo esteja em linha com a corrente enquanto utiliza a motosserra (Imagem L).

VERIFICAR A LUBRIFICAÇÃO DA CORRENTE (Imagem M)

AVISO: Certifique-se de que o depósito do óleo da motosserra está cheio com o volume adequado de óleo da corrente.

1. Segure a barra de orientação por cima de uma superfície com uma cor clara.
2. Ligue a serra. Se a lubrificação da corrente estiver a funcionar corretamente, verá uma linha de óleo na superfície colorida passado 1 minuto.
3. Se o óleo da corrente continuar sem ser visível na superfície colorida, consulte a secção “AJUSTAR O FLUXO DO ÓLEO” para ajustar.

UTILIZAR NA ÁRVORE

AVISO: quando trabalhar ou subir para uma árvore, recomendamos que use o suporte adicional, como estribos ou correia de segurança ajustável, para evitar oscilações ou acidentes de corte.

Antes da utilização, verifique os seguintes pontos:

- Verifique as marcas de desgaste na **roda dentada da corrente (N-1)**. Se as marcas de desgaste forem mais profundas do que 0,5 mm, contacte o seu centro de reparação EGO para que se proceda à substituição da roda dentada da corrente.
- Verifique também o sistema de travagem. Se as marcas de desgaste na **guarnição do travão (N-2)** estiverem desniveladas, contacte o seu centro de reparação EGO para que se proceda à substituição da guarnição do travão. (Imagem N)

N-1	Roda dentada da corrente	N-2	Guarnição do travão
-----	--------------------------	-----	---------------------

- Verifique a barra de orientação. Consulte a respetiva secção: **MANUTENÇÃO DA BARRA DE ORIENTAÇÃO**
- Verifique a corrente da serra. Consulte a respetiva secção: **MANUTENÇÃO DA CORRENTE**
- Teste o travão da corrente. Consulte a respetiva secção: **DISPOSITIVOS DE SEGURANÇA CONTRA RESSALTOS NESTA**

MOTOSERRA

- Verifique os controlos. Consulte a respetiva secção: **LIGAR/DESLIGAR A MOTOSERRA**
- Verifique a lubrificação da corrente. Consulte a respetiva secção: **VERIFICAR A LUBRIFICAÇÃO DA CORRENTE**

MANUTENÇÃO

LIMPEZA

- Após cada utilização, limpe os resíduos da corrente e barra de orientação com uma escova suave. Limpe a superfície da motosserra com um pano limpo embebido numa solução neutra de sabão.
- Para uma limpeza profunda, retire o conjunto da cobertura lateral, retire a barra de orientação e a corrente da serra e use uma escova suave para eliminar os resíduos por completo da barra de orientação, corrente da serra e roda dentada motriz na cabeça do motor da motosserra.
- Limpe sempre as lascas, serradura e sujidade da ranhura da barra de orientação quando voltar a colocar a corrente da serra.

REMOVER O PÓ

1. Desligue a ficha da alimentação, deixe a motosserra arrefecer e aperte a tampa do depósito do óleo.
2. Ative o travão da serra.
3. Use a chave combinada (fornecida) para desaperar o parafuso da **cobertura de remoção do pó (O-1)** para a abrir (Imagem O1).
4. Limpe a serradura e lascas acumuladas nas saliências de arrefecimento usando ar seco comprimido, soprando a partir da **entrada do ar (O-2)** do lado oposto. (Imagem O2).

O-1	Cobertura de remoção do pó	O-2	Entrada do ar
-----	----------------------------	-----	---------------

MANUTENÇÃO DA BARRA DE ORIENTAÇÃO

Quando a barra de orientação apresentar sinais de desgaste, desmonte-a da cabeça da alimentação da motosserra e vire-a para a voltar a montar (Imagem P1). Nesse caso, irá redistribuir o desgaste, para um tempo máximo de vida da barra.

A barra deverá ser limpa (incluindo as **calhas da barra (P-1)** e o **orifício de lubrificação (P-2)** todos os dias, e verificada quanto a desgaste e danos (Imagem P2). Empenos ou rebarbas das calhas da barra são um processo normal do desgaste da barra. Tais falhas deverão ser reparadas com recurso a uma lima, mal aconteçam. Uma barra com qualquer uma das seguintes falhas deverá ser substituída.

Desgaste dentro das calhas da barra que permita à corrente ficar virada de lado.

- Barra de orientação dobrada.
- Calhas rachadas ou partidas.
- Calhas separadas.

A barra de orientação tem uma roda dentada na ponta. A roda dentada tem de ser lubrificada todas as semanas com uma seringa de lubrificação para aumentar o tempo de vida útil da barra de orientação (Imagem P3 e P4). Rode a **roda dentada do nariz (P-3)** enquanto bombeia **lubrificante translúcido amarelo, vermelho ou simplesmente translúcido no orifício de lubrificação (P-4)** até que toda a roda dentada tenha novo lubrificante. Não empurre sujidade para o orifício.

P-1	Calhas da barra	P-3	Roda dentada
P-2	Orifício de lubrificação	P-4	Orifício de lubrificação

MANUTENÇÃO DA CORRENTE

Utilize apenas correntes de ressalto baixo com esta serra. Esta corrente de corte rápido diminui os ressalto quando devidamente mantida.

Uma corrente devidamente afiada corta madeira sem esforço, mesmo com muito pouca pressão. Nunca utilize uma corrente da serra danificada ou que não esteja afiada. Uma corrente da serra que não esteja afiada leva a um maior esforço físico, aumenta a vibração, produz resultados de corte insatisfatórios e um aumento do desgaste.

Para um corte rápido e suave, a corrente deve ser submetida a uma manutenção correta. A corrente tem de ser afiada quando as lascas de madeira forem cada vez mais pequenas e tiverem pó, quando a corrente tiver de ser forçada para dentro da madeira durante o corte ou se a corrente cortar para um dos lados. Durante a manutenção da serra, tenha em conta o seguinte:

- Um ângulo de limagem incorreto da placa lateral pode aumentar o risco de um ressalto grave.
- Folga do manómetro de profundidade. Demasiado baixo aumenta o potencial de ressalto. Se não for baixo o suficiente, diminui a capacidade de corte.
- Se os dentes de corte atingirem objetos sólidos, como por exemplo pregos e pedras, ou tiverem sofrido abrasão por lama ou areia na madeira, estes devem ser afiados por um técnico de reparação qualificado.

AVISO: recomendamos que a **corrente da serra** seja afiada e mantida por um centro de reparação autorizado.

TRANSPORTE E ARMAZENAMENTO

- Não guarde nem transporte a motosserra a funcionar. Retire sempre a bateria antes de guardar ou transportar.
- Coloque sempre a cobertura da barra de orientação e corrente antes de guardar ou transportar a motosserra. Tenha cuidado para evitar os dentes afiados da corrente.
- Limpe bem a motosserra antes de a guardar. Guarde a motosserra no interior, num local seco fechado e/ou inacessível às crianças.
- Mantenha-a afastada de agentes corrosivos, como químicos de jardim e sais para eliminar o gelo.

Proteja o ambiente



REEE (Resíduos de Equipamento Elétrico e Eletrónico) Não elimine equipamento elétrico, bateria gasta nem carregador juntamente com o lixo doméstico comum! Leve este produto a um centro de reciclagem autorizado para que possa haver uma separação das peças. As ferramentas elétricas têm de ser devolvidas em instalações de reciclagem ambientalmente compatíveis.

RESOLUÇÃO DE PROBLEMAS

PT

PROBLEMA	CAUSA	SOLUÇÃO
O motor não liga.	<ul style="list-style-type: none"> ■ A ficha da alimentação do coldre da bateria não foi colocada na motosserra. ■ Não existe contacto elétrico entre o coldre da bateria e a bateria. ■ O trinco de fixação não está dobrado para cima. ■ O interruptor “ON-OFF” (ligar/desligar) está em “OFF”. ■ O travão da corrente está ativado. 	<ul style="list-style-type: none"> ■ Insira a ficha da alimentação do coldre da bateria na motosserra. ■ Retire a bateria, verifique os contactos e volte a instalar a bateria. ■ Dobre o trinco de fixação antes de começar. ■ Coloque o interruptor “ON/OFF” (Ligar/Desligar) na posição “ON”. ■ Puxe a pá do travão do ressalto para trás na direção da pega superior, chegando à posição de funcionamento.
A motosserra pára de funcionar durante o trabalho.	<ul style="list-style-type: none"> ■ A bateria ou motosserra está muito quente. ■ A motosserra está sobrecarregada. ■ Demasiados pedaços de madeira no canal de ventilação. ■ A bateria está gasta. 	<ul style="list-style-type: none"> ■ Arrefeça a bateria ou motosserra. ■ Diminua a carga. ■ Limpe o pó. Consulte a secção “REMOVER O PÓ”. ■ Carregue a bateria.
O travão da corrente não funciona.	<ul style="list-style-type: none"> ■ Os resíduos impedem o movimento completo da pega do travão do ressalto da corrente. ■ Possível mau funcionamento do travão da corrente. 	<ul style="list-style-type: none"> ■ Limpe os resíduos do mecanismo externo do travão da corrente. ■ Contacte o serviço de apoio ao cliente da EGO para proceder à reparação.
Não há lubrificação com óleo durante o corte.	<ul style="list-style-type: none"> ■ O depósito do óleo da corrente está vazio. ■ A saída do óleo da barra da corrente está bloqueada. ■ Solidificação do óleo a baixas temperaturas. 	<ul style="list-style-type: none"> ■ Adicione lubrificante à barra e à serra. ■ Limpe o pó na saída do óleo. ■ Use o óleo lubrificante adequado (adequado para baixas temperaturas).
O indicador do nível do óleo pisca a vermelho ou mostra uma luz anormal enquanto o depósito do óleo está cheio de óleo.	<ul style="list-style-type: none"> ■ Ângulo especial de utilização da máquina, fazendo com que o óleo no depósito do óleo não entre no tubo do óleo. ■ A categoria e cor do óleo não são as recomendadas. ■ O indicador de pouco óleo continua a piscar a vermelho. 	<ul style="list-style-type: none"> ■ Deite a motosserra e tente de novo. ■ Use o óleo translúcido, translúcido amarelo ou translúcido vermelho recomendado. ■ Contacte o serviço de apoio ao cliente da EGO para proceder à reparação.
O indicador do nível do óleo não funciona enquanto o depósito do óleo tiver pouco óleo.	<ul style="list-style-type: none"> ■ A categoria e cor do óleo não puderam ser identificadas. ■ Ainda há uma pequena quantidade de óleo no depósito do óleo ou tubo do óleo. ■ O indicador de pouco óleo continua a não funcionar devido às razões apresentadas acima. 	<ul style="list-style-type: none"> ■ Use o óleo translúcido, translúcido amarelo ou translúcido vermelho recomendado. ■ Use a motosserra durante algum tempo e volte a inspecionar o indicador de pouco óleo. ■ Contacte o serviço de apoio ao cliente da EGO para proceder à reparação.

GARANTIA

POLÍTICA DE GARANTIA EGO

Visite o website egopowerplus.com para os termos e condições completos da política de garantia da EGO.

LEGGERE TUTTE LE ISTRUZIONI!



LEGGERE IL MANUALE DI ISTRUZIONI

⚠️ Rischi residui! Le persone portatrici di dispositivi elettronici, ad esempio pacemaker, devono consultare il proprio medico prima di usare questo prodotto. L'uso di apparecchi elettrici in prossimità di pacemaker cardiaci comporta il rischio di interferenze o malfunzionamento del pacemaker.

SIMBOLI DI SICUREZZA

IT

Lo scopo dei simboli di sicurezza è attirare l'attenzione dell'operatore su possibili pericoli. I simboli di sicurezza e le relative spiegazioni richiedono la massima attenzione e comprensione da parte dell'operatore. Le avvertenze espresse dai simboli, da sole, non eliminano tutti i rischi. Le istruzioni e le avvertenze non sostituiscono le adeguate misure di prevenzione contro gli incidenti.

⚠️ AVVERTENZA! Accertarsi di aver letto e compreso tutte le istruzioni di sicurezza in questo manuale, inclusi tutti i simboli di avvertenza come "PERICOLO", "AVVERTENZA" e "ATTENZIONE", prima di usare questo apparecchio. Il mancato rispetto di tutte le istruzioni elencate di seguito comporta il rischio di scossa elettrica, incendio e/o lesioni gravi.

SIGNIFICATO DEI SIMBOLI

Questa pagina illustra e descrive i simboli di sicurezza che possono comparire sul prodotto. Leggere, comprendere e seguire tutte le istruzioni sull'apparecchio prima di tentare di assemblarlo e ripararlo.

SIMBOLI DI SICUREZZA



Avvertenza di sicurezza



Indossare guanti da lavoro robusti in materiale resistente.



Indossare calzature di sicurezza antiscivolo.



Rischio di contraccolpo - Evitare il contatto della punta della barra guida con qualsiasi oggetto



Contatto della punta della barra - Il contatto della punta causa l'improvviso movimento della barra guida in alto e all'indietro, con il rischio di lesioni gravi.



I prodotti elettrici non devono essere smaltiti insieme ai rifiuti domestici. Portarli presso un centro di riciclaggio autorizzato.

V Volt



Corrente continua



Per ridurre il rischio di infortunio, l'utente deve leggere e comprendere tutte le istruzioni prima di usare questo prodotto.



Indossare indumenti protettivi aderenti. Non indossare sciarpe, cravatte o gioielli.



Indossare occhiali di sicurezza aderenti, tappi o cuffie antirumore e un casco con sottogola.



Preso a due mani - Tenere la motosega con entrambe le mani durante l'uso.



Informazioni sulla barra guida.



Non esporre alla pioggia



Emissione acustica



CE

SPECIFICHE TECNICHE

Tensione	56 V	
Temperatura di funzionamento raccomandata	Da -15°C a 40°C	
Temperatura di conservazione raccomandata	Da -40°C a 70°C	
Temperatura di ricarica ottimale	Da 5°C a 40°C	
Lunghezza di taglio	300 mm	
Velocità catena	20 m/s	
Partitura catena	3/8" (9,5 mm)	
Larghezza scanalatura	1.1 mm	
Tipo di catena	AC1200 (Raccomandato) AC1400 (Compatibile) AC1600 (Compatibile)	
Modello di barra guida	AG1200 (Raccomandato) AG1400 (Compatibile) AG1600 (Compatibile)	
Peso (senza gruppo batteria e copertura della catena)	3,5 kg	
Livello di potenza sonora misurato L_{WA}	98,8 dB(A) K=3 dB(A)	
Livello di pressione sonora a livello dell'operatore L_{PA}	88,1 dB(A) K=3 dB(A)	
Livello di potenza sonora garantito L_{WA} (misurato conformemente a 2000/14/EC)	102 dB(A)	
Vibrazioni a_h	Impugnatura anteriore	1,73 m/s ² K= 1,5 m/s
	Impugnatura principale	2,21 m/s ² K= 1,5 m/s

- Il valore totale di emissione delle vibrazioni dichiarato è stato misurato con un metodo di valutazione standard e può essere utilizzato per confrontare l'apparecchio con altri prodotti analoghi.
- Il valore totale di emissione delle vibrazioni dichiarato può essere utilizzato anche per una valutazione preliminare dei livelli di esposizione.

NOTA: il valore di emissione delle vibrazioni durante l'uso effettivo dell'utensile elettrico può variare rispetto al valore totale dichiarato in base alla modalità di utilizzo dell'utensile. Per proteggersi, l'operatore deve indossare guanti e dispositivi di protezione per le orecchie in base alle condizioni di utilizzo effettive.

DESCRIZIONE

DESCRIZIONE DELLA MOTOSEGA (Fig. A1)

- Catena
- Freno catena
- Linguetta di bloccaggio
- Impugnatura principale
- Interruttore a velocità variabile
- Anello di aggancio
- Indicatore della batteria
- Indicatore dell'olio
- Impugnatura anteriore
- Tappo del serbatoio dell'olio
- Barra guida
- Foro di lubrificazione
- Pignone
- Vite di tensione della catena
- Interruttore di accensione/spengimento
- Bullone guida
- Dado della barra
- Gruppo copertura laterale
- Copertura della vite di regolazione del flusso di olio
- Copertura di rimozione della polvere
- Meccanismo di espulsione
- Contatti elettrici
- Pulsante di rilascio della batteria
- Gancio per cintura
- Fibbia
- Cinghia
- Cavo di alimentazione rivestito
- Anello 1
- Gancio di fissaggio alla motosega
- Spina di alimentazione
- Anello 2
- Copertura della catena
- Chiave combinata

CONTENUTO DELL'IMBALLAGGIO (FIG. A1)

ASSEMBLAGGIO

ASSEMBLAGGIO/SOSTITUZIONE DELLA BARRA E CATENA

AVVERTENZA! Scollegare la spina di alimentazione e indossare guanti protettivi prima di assemblare il prodotto o sottoporlo a manutenzione.

AVVERTENZA! Consultare tutte le avvertenze di sicurezza, le istruzioni, le illustrazioni e le specifiche fornite insieme a questo utensile elettrico. Il mancato rispetto delle istruzioni sotto riportate comporta il rischio di scossa elettrica, incendio e/o gravi infortuni.

Conservare tutte le avvertenze e le istruzioni per futuro riferimento.

1. Assicurarsi che il freno catena sia impostato in posizione .
2. Svitare il **dado della barra (A-17)** in senso antiorario per rimuovere il **gruppo copertura laterale (A-18)**.
3. Disporre la nuova catena ad anello su una superficie piana, raddrizzando eventuali pieghe (Fig. B1).
4. Posizionare le **maglie di trascinamento (B-1)** nella **scanalatura (B-2)** della barra guida e posizionare la catena in modo tale che formi un anello alla fine della barra guida (Fig. B2).
5. Tenere la catena in posizione sulla barra guida e posizionare l'anello intorno al **pignone (B-3)** dell'unità motore e verificare che (Fig. B3):
 - a) Le maglie di trascinamento siano infilate nei denti del **pignone (B-3)**.
 - b) La **vite di tensione della catena (B-4)** e il **bullone guida (B-5)** siano infilati nella fessura della barra guida. Il **perno di tensione della catena (B-6)** sia infilato nel foro della barra guida.

NOTA: assicurarsi che le frecce sui denti della catena siano rivolte in avanti (Fig. B3).

6. Consultare la sezione "REGOLAZIONE DELLA TENSIONE DELLA CATENA" per assicurarsi che la catena sia assemblata correttamente.
7. Allineare i perni guida (B-7) del gruppo copertura laterale con i rispettivi fori (B-8) sulla motosega, quindi fissare il gruppo copertura laterale (Fig. B4).
8. Serrare il dado della lama.

B-1	Maglie di trascinamento	B-5	Bullone guida
B-2	Scanalatura	B-6	Perno di tensione della catena
B-3	Pignone	B-7	Perni guida
B-4	Vite di tensione della catena	B-8	Fori

NOTA: se è necessario sostituire la barra guida, rimuovere il gruppo copertura laterale e riassemblarlo sulla nuova barra guida, come illustrato in Fig. C.

UTILIZZO

DESTINAZIONE D'USO

- Questa motosega è progettata appositamente per la potatura e la manutenzione di alberi.



Questa motosega deve essere utilizzata esclusivamente da arboristi professionisti.

NOTA: si raccomanda agli utenti inesperti di fare pratica tagliando ceppi su un cavalletto o un supporto simile.

REGOLAZIONE DELLA TENSIONE DELLA CATENA

AVVERTENZA! Non toccare o regolare la catena quando il motore è in funzione. La catena è molto affilata; indossare sempre guanti protettivi durante le operazioni di manutenzione sulla catena.

La catena si espande o si contrae durante l'uso della motosega. Di conseguenza, la tensione della catena si modifica. Controllare periodicamente la tensione della catena durante l'uso e regolarla se necessario.

1. Arrestare la motosega, attivare il freno catena e scollegare la spina di alimentazione.
2. Allentare il dado della barra affinché la barra guida possa muoversi liberamente.
3. Sollevare la punta della barra e regolare le vite di tensione della catena finché:
 - a) La distanza tra la catena e il punto centrale della barra è pari a circa 1-2 mm (Fig. D).
 - b) Disattivare il freno catena e assicurarsi che la catena possa essere trascinata lungo la barra con due dita.

NOTA: effettuare questa operazione con attenzione per evitare il rischio di lesioni personali. Il motore elettrico di questa motosega, a differenza delle motoseghe a benzina convenzionali, contiene materiale magnetico; trascinando la catena con due dita si percepirà una certa resistenza. La catena non scorrerà liberamente come nel caso delle motoseghe a benzina.

4. Sollevare la punta della barra e serrare il dado della barra.

NOTA: se la distanza tra la catena e il punto centrale della barra non è di 1-2 mm, regolare nuovamente la tensione della catena..

RIEMPIMENTO DEL SERBATOIO DELL'OLIO

1. Scollegare la spia di alimentazione dalla motosega.
2. Posizionare la motosega su un lato, su una superficie piana e stabile, affinché il tappo del serbatoio dell'olio sia rivolto verso l'alto. Rimuovere il tappo del serbatoio dell'olio. Se è bloccato, usare l'estremità a taglio della chiave combinata (inclusa) per allentarlo (Fig. E).
3. Versare l'olio nel serbatoio dell'olio con attenzione. Riempirlo fino alla parte inferiore del collo di riempimento. Rimuovere eventuali eccedenze d'olio e chiudere il tappo.

NOTA:

- La motosega è priva d'olio al momento dell'acquisto. È essenziale riempire il serbatoio con l'olio prima dell'uso. La catena viene automaticamente lubrificata con olio durante il funzionamento.
- È formulato appositamente per ridurre la frizione e aumentare la velocità di taglio.
- Non usare oli o altri lubrificanti non progettati appositamente per barra e catena per evitare l'ostruzione del sistema dell'olio e il rischio di usura prematura della barra e catena.

REGOLAZIONE DEL FLUSSO DELL'OLIO (Fig. F)

- Questa motosega è dotata di una vite di regolazione del flusso dell'olio (F-1), situata sulla parte inferiore dell'apparecchio, che permette di regolare il flusso dell'olio che lubrifica la catena, la barra e il sistema di taglio. Per aumentare o ridurre il flusso dell'olio, ruotare la vite nella direzione indicata dalla freccia sull'apparecchio.

INDICATORI LUMINOSI SULLA MOTOSEGA

Questa motosega è dotata di 2 indicatori luminosi che segnalano il livello dell'olio e il livello di carica del gruppo o dei gruppi batteria.

Indicatore luminoso	Significato	Azione	
Indicatore dell'olio (A-8)	Rosso lampeggiante	Il livello dell'olio è insufficiente.	Riempire del serbatoio dell'olio.
	Spento	Il livello dell'olio è sufficiente.	/
Indicatore della batteria (A-7)	Verde fisso	Il gruppo batteria è carico.	/
	Verde lampeggiante	Il gruppo batteria è quasi scarico, e deve essere ricaricato immediatamente.	Ricaricare la batteria.

FISSAGGIO DEL PORTA-BATTERIA ALL'IMBRACATURA

Questa motosega include un porta-batteria che può essere fissato a un'imbracatura (non fornita).

NOTA: fissare saldamente il porta-batteria all'imbracatura prima di indossare l'imbracatura.

- Individuare il punto di fissaggio del porta-batteria all'imbracatura, quindi agganciarlo all'imbracatura usando l'apposito **gancio per cintura (G-1)** (Fig. G1).
- Avvolgere la cinghia intorno all'imbracatura per fissare il porta-batteria in posizione (Fig. G2 e G3).

- Fissare i due **anelli (G-2)** sul cavo di alimentazione rivestito all'imbracatura usando due moschettoni (non forniti), come illustrato in Fig. G4.

G-1	Gancio per cintura	G-2	Anelli
-----	--------------------	-----	--------

NOTA:

- prima di salire sull'albero, fissare l'anello 1 e l'anello 2 sul cavo di alimentazione rivestito all'imbracatura usando dei moschettoni (non forniti) (Fig. G5).
- Prima di usare la motosega, staccare l'anello 2 dall'imbracatura e impugnare la motosega con entrambe le mani (Fig. G6).

FISSAGGIO DELLA MOTOSEGA AL PORTA-BATTERIA

Fissare il **gancio di fissaggio alla motosega (H-2)** all'**anello di aggancio (H-1)** (Fig. H)

H-1	Anello di aggancio	H-2	Gancio di fissaggio alla motosega
-----	--------------------	-----	-----------------------------------

INSTALLAZIONE/RIMOZIONE DEL GRUPPO BATTERIA

NOTA: ricaricare completamente il gruppo batteria prima del primo utilizzo.

Installazione (Fig. I1)


Allineare i rilievi sul gruppo batteria con le scanalature di assemblaggio, quindi fare scorrere il gruppo batteria nel porta-batteria finché non si incastra in posizione.

Rimozione (Fig. I2)

Premere il pulsante di rilascio della batteria con il pollice per rimuovere il gruppo batteria.

AVVIO/ARRESTO DELLA MOTOSEGA

Avvio

- Allineare i simboli ▲ sulla **spina di alimentazione (J-2)** e sulla **presa di alimentazione (J-1)**, quindi inserire la spina nella motosega finché il sigillo VERDE sulla spina non si inserisce COMPLETAMENTE all'interno della presa (Fig. J1).
- Portare l'interruttore di accensione/spegnimento in posizione **"ON"** (Fig. J2).
- Spingere l'impugnatura del freno catena verso l'impugnatura anteriore in posizione .
- Portare la **linguetta di bloccaggio (J-3)** in avanti, quindi premere l'**interruttore a velocità variabile (J-4)**. Maggiore è la pressione sull'interruttore a velocità variabile, maggiore è la velocità di rotazione della catena (Fig. J3).

J-1	Presenza di alimentazione	J-3	Linguetta di bloccaggio
J-2	Spina di alimentazione	J-4	Interruttore a velocità variabile

Arresto

1. Rilasciare l'interruttore a velocità variabile per arrestare la motosega.

NOTA: la catena continua a ruotare per un breve periodo dopo il rilascio dell'interruttore a velocità variabile. Prestare attenzione a evitare il contatto con la catena dopo il rilascio dell'interruttore a velocità variabile e prima di appoggiare la motosega.

2. Spingere l'impugnatura del freno catena in avanti in posizione
3. Portare l'interruttore di accensione/spengimento in posizione "OFF".

AVVERTENZA! Scollegare sempre la spina di alimentazione dalla motosega durante le pause e al termine del lavoro.

PREPARAZIONE AL TAGLIO

Presenza corretta sulle impugnature (Fig. K)

- Indossare guanti antiscivolo per la massima aderenza e protezione.
- Tenere sempre la mano sinistra sull'impugnatura anteriore e la mano destra sull'impugnatura principale.
- Le dita devono avvolgere l'impugnatura, con il pollice al di sotto dell'impugnatura anteriore.

AVVERTENZA! Non usare mai una presa mancina (a mani invertite) e non assumere mai posizioni in cui il corpo o il braccio si trovano oltre la linea della catena.

AVVERTENZA! Non premere l'interruttore a velocità variabile con la mano sinistra e non tenere l'impugnatura anteriore con la mano destra. Non tenere alcuna parte del corpo lungo la linea della catena durante l'uso della motosega. (Fig. L)

CONTROLLO DELLA LUBRIFICAZIONE DELLA CATENA (Fig. M)

NOTA: assicurarsi che il serbatoio dell'olio sia stato riempito con una quantità adeguata di olio catena.

1. Tenere la barra guida sopra una superficie di colore chiaro.
2. Avviare l'apparecchio. Se sulla superficie di colore chiaro appare una linea di olio dopo circa 1 minuto, il sistema di lubrificazione funziona correttamente.

3. Se l'olio non è visibile sulla superficie di colore chiaro, consultare la sezione "REGOLAZIONE DEL FLUSSO DELL'OLIO".

UTILIZZO SU UN ALBERO

AVVERTENZA! Durante l'uso della motosega su un albero, si raccomanda di usare sostegni aggiuntivi come staffe per piedi o corde regolabili per evitare il rischio di incidenti.

Prima di usare la motosega, ispezionare:

- Il **pignone della catena (N-1)**: se presenta segni di usura più profondi di 0,5 mm, contattare un rivenditore EGO affinché lo sostituisca.
- Il sistema di franta: se i segni di usura sulla **guarnizione del freno (N-2)** sono irregolari, contattare un rivenditore EGO affinché la sostituisca (Fig. N).

N-1	Pignone della catena	N-2	Guarnizione del freno
-----	----------------------	-----	-----------------------

- Consultare la sezione relativa alla barra guida: **MANUTENZIONE DELLA BARRA GUIDA**
- Consultare la sezione relativa alla catena: **MANUTENZIONE DELLA CATENA**
- Consultare la sezione relativa al collaudo del freno catena: **DISPOSITIVI DI SICUREZZA CONTRO IL CONTRACCOLPO INTEGRATI NELLA**

MOTOSEGA

- Effettuare i controlli descritti alla sezione: **AVVIO/ARRESTO DELLA MOTOSEGA**
- Consultare la sezione relativa alla lubrificazione della catena: **CONTROLLO DELLA LUBRIFICAZIONE DELLA CATENA**

MANUTENZIONE

PULIZIA

- Dopo ogni utilizzo, rimuovere i detriti da barra e catena con una spazzola morbida. Pulire la superficie della motosega con un panno pulito inumidito con acqua saponata.
- Per una pulizia profonda, rimuovere il gruppo copertura laterale, rimuovere la barra guida e la catena, quindi rimuovere i detriti da barra guida, catena e pignone sull'unità motore della motosega con una spazzola morbida.
- Rimuovere sempre eventuali frammenti di legno, segatura e sporcizia dalla scanalatura della barra guida durante la sostituzione della catena.

RIMOZIONE DELLA POLVERE

1. Scollegare la spina di alimentazione, attendere che la motosega si raffreddi e serrare il tappo del serbatoio dell'olio.
2. Attivare il freno catena.
3. Usare la chiave combinata (fornita) per allentare la vite della **copertura di rimozione della polvere (0-1)** per aprirla (Fig. 01).
4. Rimuovere gli accumuli di segatura e trucioli sulle alette di raffreddamento con dell'aria compressa, soffiandola dal lato opposto dell'**apertura di ingresso dell'aria (0-2)** (Fig. 02).

0-1	Copertura di rimozione della polvere	0-2	Apertura di ingresso dell'aria
-----	--------------------------------------	-----	--------------------------------

MANUTENZIONE DELLA BARRA GUIDA

Quando la barra guida mostra segni di usura, rimuoverla dall'unità motore della motosega e riassemblarla invertita (Fig. P1), per distribuire uniformemente l'usura e prolungare la durata di vita della barra.

La barra deve essere pulita (**binari della barra guida (P-1) e foro di lubrificazione (P-2)** inclusi) ogni giorno di utilizzo e ispezionata per verificare che non sia usurata o danneggiata (Fig. P2). La bavatura o smussatura dei binari della barra è un normale processo dell'usura della barra. Tali difetti devono essere immediatamente corretti con una lima. Un barra con i difetti riportati di seguito deve essere sostituita.

Usura all'interno dei binari della barra che mantengono la catena in posizione.

- Barra guida piegata.
- Binari incrinati o rotti.
- Allargamento dei binari.

La barra guida è dotata di un pignone sulla punta. Il pignone deve essere lubrificato settimanalmente con un'apposita siringa per prolungare la durata di vita della barra guida (Fig. P3 e P4). Ruotare il **pignone sulla punta (P-3)** e simultaneamente iniettare del **grasso traslucido giallo, traslucido rosso o trasparente nel foro di lubrificazione (P-4)** finché l'intero pignone non è lubrificato. Evitare l'ingresso di sporcizia nel foro.

P-1	Binari della barra guida	P-3	Pignone
P-2	Foro di lubrificazione	P-4	Foro di lubrificazione

MANUTENZIONE DELLA CATENA

Usare esclusivamente catene a riduzione del contraccolpo. Le catene a taglio rapido riducono il rischio di contraccolpo se vengono mantenute in buono stato.

Una catena affilata correttamente taglia il legno senza sforzo, anche esercitando poca pressione. Non usare mai una catena smussata o danneggiata. Una catena smussata comporta l'aumento dello sforzo fisico e del carico di vibrazioni, risultati di taglio non soddisfacenti e una maggiore usura.

Per un taglio rapido e omogeneo, la catena deve essere mantenuta in buono stato. La catena necessita di affilatura quando i frammenti di legno diventano piccoli e polverosi, se è necessario forzare la catena nel legno durante il taglio o la catena taglia da un lato. Per la manutenzione della catena, tenere in considerazione i punti descritti di seguito.

- Se l'angolo di taglio laterale viene affilato scorrettamente, il rischio di contraccolpo può aumentare.
- Una profondità di taglio troppo bassa aumenta il rischio di contraccolpo, ma non abbastanza bassa riduce l'efficienza di taglio.
- Se i taglienti hanno urtato oggetti duri, come chiodi e pietre, o sono stati abrasati da fango o sabbia nel legno, affidare l'affilatura della catena a un tecnico qualificato.

NOTA: si raccomanda di affidare l'affilatura e la manutenzione della **catena** a centri di assistenza autorizzati.

TRASPORTO E CONSERVAZIONE

- Non conservare o trasportare la motosega quando è in funzione. Rimuovere sempre il gruppo batteria prima di riporla o trasportarla.
- Installare sempre la copertura su barra e catena prima di riporre o trasportare la motosega. Prestare attenzione per evitare il contatto con i denti affilati della catena.
- Pulire accuratamente la motosega prima di riporla. Conservare la motosega in interni, in un luogo asciutto, al chiuso e/o inaccessibile ai bambini.
- Tenerla al riparo da agenti corrosivi, ad esempio sostanze chimiche per il giardinaggio e sale per disgelo.

Protezione dell'ambiente



Direttiva RAEE (Rifiuti di apparecchi elettrici ed elettronici) Non smaltire apparecchi elettrici, caricabatteria e batterie insieme ai rifiuti domestici. Portare il prodotto presso un centro di riciclaggio autorizzato affinché venga raccolto separatamente. Gli apparecchi elettrici devono essere portati presso un centro di riciclaggio ecocompatibile.

RISOLUZIONE DEI PROBLEMI

PROBLEMA	CAUSA	SOLUZIONE
Il motore non si avvia.	<ul style="list-style-type: none"> ■ La spina di alimentazione del porta-batteria non è collegata alla motosega. ■ Nessun contatto elettrico tra il porta-batteria e la batteria. ■ La linguetta di bloccaggio non è piegata. ■ L'interruttore di accensione/ spegnimento è in posizione "OFF". ■ Il freno catena è attivo. 	<ul style="list-style-type: none"> ■ Collegare la spina di alimentazione del porta-batteria alla motosega. ■ Rimuovere la batteria, ispezionare i contatti e reinstallare il gruppo batteria. ■ Piegare la linguetta di bloccaggio prima di avviare la motosega. ■ Portare l'interruttore di accensione/ spegnimento in posizione "ON". ■ Spingere l'impugnatura del freno catena verso l'impugnatura anteriore, in posizione operativa.
La motosega si arresta durante il funzionamento.	<ul style="list-style-type: none"> ■ Il gruppo batteria o la motosega sono troppo caldi. ■ La motosega è sovraccarica. ■ Un accumulo di frammenti di legno ostruisce il canale di ventilazione. ■ Il gruppo batteria è scarico. 	<ul style="list-style-type: none"> ■ Attendere che il gruppo batteria o la motosega si raffreddino. ■ Diminuire il carico. ■ Rimuovere la polvere come descritto alla sezione "RIMOZIONE DELLA POLVERE". ■ Ricaricare il gruppo batteria.
Il freno catena non si attiva.	<ul style="list-style-type: none"> ■ I detritti impediscono il movimento completo dell'impugnatura del freno catena. ■ Malfunzionamento del freno catena. 	<ul style="list-style-type: none"> ■ Rimuovere i detritti dal meccanismo esterno del freno catena. ■ Contattare il centro di assistenza EGO per la riparazione.
Lubrificazione assente durante il taglio.	<ul style="list-style-type: none"> ■ Il serbatoio dell'olio è vuoto. ■ L'apertura di uscita dell'olio sulla barra catena è ostruito. ■ L'olio si è solidificato a causa delle basse temperature. 	<ul style="list-style-type: none"> ■ Aggiungere il lubrificante per barra e catena. ■ Rimuovere la polvere dal foro di uscita dell'olio. ■ Usare dell'olio lubrificante corretto (adatto alle basse temperature).
L'indicatore dell'olio lampeggia di rosso anche se il serbatoio dell'olio è pieno.	<ul style="list-style-type: none"> ■ La motosega è inclinata in modo anomalo durante l'uso, e ciò impedisce all'olio nel serbatoio di entrare nel sistema di lubrificazione. ■ La categoria e il colore dell'olio non sono raccomandati. ■ L'indicatore dell'olio continua a lampeggiare di rosso. 	<ul style="list-style-type: none"> ■ Portare la motosega in posizione orizzontale e riprovare. ■ Usare dell'olio lubrificante traslucido giallo, traslucido rosso o trasparente. ■ Contattare il centro di assistenza EGO per la riparazione.
L'indicatore dell'olio non si illumina quando il livello dell'olio è insufficiente.	<ul style="list-style-type: none"> ■ La categoria e il colore dell'olio non sono stati identificati. ■ Nel serbatoio dell'olio o nel sistema di lubrificazione è presente una piccola quantità di olio. ■ L'indicatore dell'olio non funziona per i motivi summenzionati. 	<ul style="list-style-type: none"> ■ Usare dell'olio lubrificante traslucido giallo, traslucido rosso o trasparente. ■ Avviare la motosega per un certo periodo, quindi osservare l'indicatore dell'olio. ■ Contattare il centro di assistenza EGO per la riparazione.

IT

GARANZIA

CONDIZIONI DELLA GARANZIA EGO

Visitare il sito web egopowerplus.com per consultare le condizioni complete della garanzia EGO.

LEES ALLE INSTRUCTIES!



LEES DE GEBRUIKSAANWIJZING

⚠ Restrictico! Personen met elektronische apparaten zoals pacemakers, moeten eerst hun arts(en) raadplegen voordat ze dit product gebruiken. De werking van een elektrisch apparaat in de nabijheid van een pacemaker kan een storing of defect van de pacemaker veroorzaken.

VEILIGHEIDSSYMBOOL

NL

Het doel van de veiligheidssymbolen is om u te wijzen op mogelijke gevaren. Besteed daarom voldoende aandacht hieraan en begrijp de veiligheidssymbolen en bijbehorende uitleg. De symboolwaarschuwingen op zich elimineren geen enkel gevaar. De verstrekte instructies en waarschuwingen gelden niet als vervanging voor gepaste voorzorgsmaatregelen tegen ongevallen.

⚠ WAARSCHUWING: Lees en begrijp alle veiligheidsinstructies die in deze gebruiksaanwijzing staan vermeld, waaronder alle veiligheidssymbolen zoals “GEVAAR,” “WAARSCHUWING,” en “OPGELET” voordat u dit gereedschap in gebruik neemt. Het negeren van onderstaande instructies kan leiden tot een elektrische schok, brand en/of ernstig persoonlijk letsel.

BETEKENIS VAN DE SYMBOLEN

Deze pagina toont en beschrijft alle veiligheidssymbolen die zich op dit product kunnen bevinden. Lees, begrijp en volg alle instructies op de machine voordat u deze in elkaar zet en gebruikt.

VEILIGHEIDSSYMBOLEN



Veiligheidswaarschuwing



De gebruiker dient de gebruiksaanwijzing voor het gebruik van dit product te lezen en te begrijpen om risico op letsel te beperken.



Draag heavy-duty werkhandschoenen gemaakt van duurzaam materiaal



Draag nauwsluitende kleding. Draag geen sjaal, stropdas of sieraden



Draag antislip veiligheidsschoenen



Draag een goed zittende veiligheidsbril, oordopjes of oorwarmers en een veiligheidshelm met riembandje



Pas op voor een terugslag - Voorkom ieder contact van de punt van het zaagblad met ieder willekeurig voorwerp



Greep met twee handen - Gebruik altijd twee handen bij het bedienen van de kettingzaag.



Terugslag bij de punt van het zaagblad - Het contact van de punt van het zaagblad kan ervoor zorgen dat het zaagblad snel naar boven of naar achteren beweegt, wat op zijn beurt ernstig letsel kan veroorzaken.



Informatie over het zaagblad.



Gooi elektrisch afval niet via het huishoudelijk afval weg. Breng het naar een geautoriseerd recyclingbedrijf.



Niet aan regen blootstellen.

V Volt



Geluid

≡≡≡ Gelijkstroom



CE

SPECIFICATIES

Spanning	56 V	
Aanbevolen bedrijfstemperatuur:	-15°C-40°C	
Aanbevolen opslagtemperatuur:	-40°C-70°C	
Optimale laadtemperatuur	5°C-40°C	
Snijlengte	300 mm	
Kettingnelheid	20 m/s	
Kettingsteek	3/8" (9,5 mm)	
Kettingpeil	1,1 mm	
Zaag kettingtype	AC1200 (aanbevolen) AC1400 (compatibel) AC1600 (compatibel)	
Zaagblad type	AG1200 (aanbevolen) AG1400 (compatibel) AG1600 (compatibel)	
Gewicht (zonder accupack, kettingbeschermer)	3,5 kg	
Gemeten geluidsvermogensniveau L_{WA}	98,8 dB(A) K=3 dB(A)	
Geluidsdrukkniveau bij de werkpositie L_{PA}	88,1 dB(A) K=3 dB(A)	
Gegarandeerd geluidsvermogensniveau L_{WA} (conform 2000/14/EC)	102 dB(A)	
Vibratie a_h	Voorste handgreep	1,73 m/s ² K= 1,5 m/s
	Primaire handgreep	2,21 m/s ² K= 1,5 m/s

- De opgegeven totale vibratiewaarde is gemeten volgens de standaard testmethode en kan worden gebruikt om het apparaat met een ander apparaat te vergelijken;
- De opgegeven totale vibratiewaarde kan tevens worden gebruikt in een voorafgaande beoordeling op blootstelling.

OPMERKING: De trillingsemisatie tijdens het werkelijk gebruik van het elektrisch gereedschap kan verschillen van de opgegeven totale waarde; Om de bediener te beschermen dient de gebruiker tijdens het gebruik handschoenen en gehoorbescherming te dragen.

BESCHRIJVING

KEN UW KETTINGZAAG (afb. A1)

- Zaagketting
- Terugslag remhendel
- Sluittip
- Primaire handgreep
- Instelbare snelheidsknop
- Oogje
- Batterij-indicator
- Gering olieniveau-indicator
- Voorste handgreep
- Olietank dop
- Zaagblad
- Smeeropening
- Kettingwiel
- Spanner schroef
- AAN-UIT veiligheidsschakelaar
- Zaagbout
- Bladmoer
- Gemonteerde zij-afdekking
- Oliestroom aanpassing schroefafdekking
- Stofverwijderingsafdekking
- Uitwerpmechanisme
- Elektrische contacten
- Accu-ontgrendelingsknop
- Riemhaak
- Gesp
- Riem
- Strop
- Ring 1
- Zaaghaak
- Stekker
- Ring 2
- Kettingbeschermer
- Combi-seutel

NL

INHOUD VAN DE VERPAKKING (AFB. A1)

MONTAGE

MONTEREN/DEMONTEN VAN HET ZAAGBLAD EN DE KETTING

⚠ WAARSCHUWING: Trek de stekker altijd uit het stopcontact en draag veiligheidshandschoenen voordat u monteert of onderhoud uitvoert aan het product.

⚠ WAARSCHUWING: Lees alle veiligheids waarschuwingen, instructies, illustraties en specificaties die met dit elektrisch gereedschap zijn meegeleverd. Het negeren van onderstaande instructies kan leiden tot een elektrische schok, brand en/of ernstig letsel.

Bewaar alle waarschuwingen en instructies voor toekomstig gebruik.

- Zorg ervoor dat de terugslag remhendel op  staat
- Schroef de **bladmoer (A-17)** tegen de klok in los en verwijder de **gemonteerde zij-afdekking (A-18)**.
- Plaats de zaagketting in een lus op de vlakke ondergrond en maak eventuele knikken recht. (Afb. B1)
- Plaats de **aandrijfschakels (B-1)** in de **groef (B-2)** op het zaagblad en laat de ketting in een lus naar de achterkant van het zaagblad lopen. (Afb. B2)
- Houd de ketting op zijn plaats op het zaagblad en plaats de lus rond het **kettingwiel (B-3)** van de motorkop en controleer de volgende punten (afb. B3):
 - De aandrijfschakels bevinden zich tussen de tanden van het **kettingwiel (B-3)**.
 - Spanner schroef (B-4)** en **zaagbout (B-5)** bevinden zich in de sleuf van het zaagblad. **Spanningspen (B-6)** grijpt in het gat van het zaagblad.

OPMERKING: Zorg ervoor dat de richting van de pijlen op de tanden van de zaagketting altijd naar voren zijn gericht (afb. B3).

- Zie hiervoor het hoofdstuk 'DE ZAAGKetting OP SPANNING BRENGEN' om ervoor te zorgen dat de ketting juist is gemonteerd zonder te verbinden.
- Breng de twee **geleidestangen (B-7)** van de gemonteerde zij-afdekking in lijn met de respectievelijke **gaten (B-8)** in de zaag en plaats vervolgens de gemonteerde zij-afdekking. (Afb. B4)
- Draai de bladmoer vast.

B-1	Aandrijfschakels	B-5	Zaagbout
B-2	Groef	B-6	Spanningspen
B-3	Kettingwiel	B-7	Geleidestangen
B-4	Spanner schroef	B-8	Gaten

OPMERKING: Als het zaagblad moet worden vervangen, verwijder de gemonteerde zij-afdekking en monteer hem met het nieuwe zaagblad zoals weergegeven in afb. C.

GEBRUIK

TOEPASSING

- Deze kettingzaag is speciaal ontworpen voor boomchirurgie en onderhoud.



Deze zaag mag alleen worden gebruikt door personen die speciaal zijn opgeleid voor het onderhoud van bomen.

OPMERKING: We raden aan dat de gebruiker bij het eerste gebruik tenminste oefent met het zagen van houtstammen op een zaagbok of houder.

DE ZAAGKetting OP SPANNING BRENGEN

WAARSCHUWING: Raak de ketting nooit aan en pas hem niet aan als de motor draait. De zaagketting is zeer scherp; draag altijd beschermende handschoenen als u onderhoud aan de ketting uitvoert.

De zaagketting zet uit of krimpt tijdens het normale zaaggebruik. De spanning van de ketting verandert hierdoor. Controleer de kettingspanning op een regelmatige basis tijdens het gebruik en pas indien nodig aan.

- Zet de kettingzaag uit, gebruik de kettingrem en trek de stekker uit het stopcontact.
- Maak de bladmoer los, zodat het zaagblad vrij kan bewegen voor toekomstige instellingen.
- Houd de neus van het blad naar boven en pas de schroef voor de spanning aan totdat de volgende punten van toepassing zijn:
 - De ketting hangt in het midden van het zaagblad door: 1 - 2 mm (afb. D).
 - Laat de kettingrem los en zorg ervoor dat de ketting met twee vingers langs het zaagblad kan worden getrokken.

OPMERKING: Voer deze stap voorzichtig uit om persoonlijk letsel te voorkomen. Omdat deze gelijkstroommotor magnetisch materiaal bevat, voelt u in vergelijking met conventionele benzine-kettingzagen een bepaalde weerstand als u de zaagketting met twee vingers bedient. Het loopt niet zo soepel als bij een benzine-kettingzaag.

- Houd de punt van het blad omhoog en maak de bladmoer vast.

OPMERKING: Als de ketting in het midden van het zaagblad niet 1 - 2 mm doorhangt, moet u de kettingspanning aanpassen.

HET OLIERESERVOIR VULLEN

- Verwijder de stekker van de kettingzaag.
- Positioneer de kettingzaag op zijn kant op een stevige, vlakke ondergrond, zodat de tankdop van het oliereservoir naar boven wijst. Open de tankdop van het oliereservoir. Als hij te stevig is dichtgedraaid, kunt u een schroevendraaier of combisleutel (meegeleverd) gebruiken om hem los te maken (afb. E).
- Giet voorzichtig de olie in de olietank. Vul tot aan de onderkant van de vulhals. Veeg al de overtollige olie af en sluit het.

OPMERKING:

- De kettingzaag is niet gevuld met olie op het moment van aankoop. Het is van essentieel belang dat de tank voor gebruik met olie wordt gevuld. De ketting wordt automatisch gesmeerd met kettingolie tijdens het gebruik.
- Het is speciaal ontworpen voor een lage wrijving en snellere zaagsnedes.
- Gebruik nooit olie of andere smeermiddelen die niet specifiek zijn ontworpen voor gebruik op het zaagblad en de ketting. Hierdoor kan het oliesysteem verstopt raken, wat een vervroegde slijtage van het zaagblad en de ketting veroorzaakt.

DE OLIESTROOM AANPASSEN (afb. F)

- Deze zaag is voorzien van een **oliestroom-aanpassingsschroef (F-1)**, die zich aan de onderkant van het gereedschap bevindt, om de oliestroom voor het smeren van de ketting, het zaagblad en het zaagsysteem aan te passen. Het verhogen of verlagen van de oliestroom in de richting van de pijlen zoals weergegeven op de behuizing.

LED-INDICATOR OP DE KETTINGZAAG

De kettingzaag is voorzien van 2 led-indicatoren die het olieniveau en het laadniveau van het accupack (de accupacks) aangeeft.

Led-indicator		Betekenis	Actie
Gering olieniveau-indicator (A-8)	Rood knipperend	Te weinig olie	Vul de olietank
	Uit	Moet van olie worden voorzien	/
Batterij-indicator (A-7)	Groen brandend	Accupack heeft geen vermogen meer	/
	Groen knipperend	Het accupack is bijna leeg en moet onmiddellijk worden opgeladen.	Laad de accu op

DE BATTERIJHOLSTER BEVESTIGEN AAN HET KLIMHARNAS

De kettingzaag wordt geleverd met een batterijholster, welke kan worden gebruikt voor het dragen van het accupack en kan worden bevestigd aan het klimharnas (niet inbegrepen).

OPMERKING: Maak de batterijholster stevig vast aan het klimharnas, voordat u het klimharnas aantrekt.

1. Kies een geschikte plek voor het inhaken van de batterijholster op het klimharnas, haak de batterijholster in het klimharnas met behulp van de **riemhaak (G-1)**. (Afb. G1)
2. Draai de riem om het klimharnas om de batterijholster op zijn plek te fixeren (afb. G2 & G3).
3. Bevestig twee **ringen (G-2)** van de veiligheidsstrop aan het klimharnas met behulp van twee karabijnhaken (niet inbegrepen), zoals weergegeven in afb. G4.

G-1	Riemhaak	G-2	Ringen
-----	----------	-----	--------

OPMERKING:

- Tijdens het klimmen in de boom bevestigt u ring 1 & 2 van de veiligheidsstrop aan het klimharnas met behulp van karabijnhaken (niet inbegrepen) (afb. G5)
- Als het gereedschap in gebruik is, maakt u ring 2 los van het klimharnas, houdt u de zaag met twee handen vast en voert u de zaagsnede uit (afb. G6).

DE ZAAG AAN DE BATTERIJHOLSTER TE BEVESTIGEN

Bevestig de **zaaghaak (H-2)** van de veiligheidsstrop aan het **oogje (H-1)**. (Afb. H)

H-1	oogje	H-2	zaaghaak
-----	-------	-----	----------

INSTALLEREN/VERWIJDEREN VAN HET ACCUPACK

OPMERKING: Laad het accupack voor de eerste ingebruikname volledig op.

Installeren (afb. I1)

Breng de ribbels van het accupack in één lijn met de bevestigingssleuven en schuif het accupack in de batterijholster totdat hij op zijn plek vastklikt.


Verwijderen (afb. I2)

Druk met uw duim op de accuvrijgaveknop om het accupack te verwijderen.

DE KETTINGZAAG STARTEN/STOPPEN

Starten

1. Breng de „▲“ markeringen van de **stekker (J-2)** en de **elektrische aansluiting (J-1)** van de kettingzaag in één lijn en steek de stekker in de kettingzaag totdat de GROENE verzegeling van de stekker HELEMAAL in de aansluiting verdwijnt (afb. J1).

2. Duw de ‚AAN/UIT‘ schakelaar op ‚AAN‘ (afb. J2).
3. Trek de terugslag remhendel naar de primaire handgreep in de  positie.
4. Beweeg de **sluitlip (J-3)** naar voren en druk de **instelbare snelheidsknop (J-4)**. Hoe meer u de instelbare snelheidsknop trekt, hoe hoger de rotatiesnelheid van de zaagketting (afb. J3).


J-1	Elektrische aansluiting	J-3	Sluitlip
J-2	Stekker	J-4	Instelbare snelheidsknop

NL

Stoppen

1. Laat de instelbare snelheidsknop los om de kettingzaag te stoppen.

OPMERKING: De zaagketting roteert nog even door nadat de instelbare snelheidsknop werd losgelaten. Let erop dat er geen contact meer wordt gemaakt na het loslaten van de instelbare snelheidsknop en als u de kettingzaag neerlegt.

2. Druk de terugslag remhendel naar voren in de repositie .
3. Zet de ‚AAN/UIT‘ schakelaar op ‚UIT‘

⚠ WAARSCHUWING: Haal altijd de stekker uit de kettingzaag wanneer u een pauze inlast of als u klaar bent met de werkzaamheden.

VOORBEREIDING VOOR HET ZAGEN

Correcte grip op de handgrepen (afb. K)

- Draag anti-slip handschoenen voor een maximale grip en bescherming.
- Pak altijd de voorste handgreep met de linkerhand en de primaire handgreep met de rechterhand vast.
- De vingers dienen de handgreep te omsluiten, met de duim onder de voorste handgreep.

⚠ WAARSCHUWING: Gebruik nooit een linkshandige (gekruste) greep, of een houding waarbij u uw lichaam of arm over de kettinglijn beweegt.

⚠ WAARSCHUWING: Druk de schakelaar niet met uw linkerhand en houd de voorste handgreep met uw rechterhand vast. Laat nooit een deel van uw lichaam in de kettinglijn terwijl de kettingzaag in gebruik is (afb. L).

CONTROLLEREN VAN DE KETTINGSMERING (afb. M)

OPMERKING: Zorg ervoor dat de olietank van de kettingzaag gevuld is met voldoende kettingolie.

1. Houd het zaagblad boven een oppervlak met lichte kleur.
2. Zet de zaag aan. U ziet een duidelijke olielijn op het lichtgekleurde oppervlak na 1 minuut als de kettingsmering naar behoren werkt.
3. Als er nog altijd geen kettingolie zichtbaar is op het lichtgekleurde oppervlak, kijk dan in hoofdstuk ‚**DE OLIESTROOM AANPASSEN**‘ om het aan te passen

WERKEN IN DE BOOM

⚠ WAARSCHUWING: tijdens het werken of klimmen, is aanvullende ondersteuning zoals een voethaak, aanpasbaar koord aan te raden om slingeren of een zaagongeluk te voorkomen.

Controleer voor gebruik alstublieft de volgende punten:

- Controleer de slijtagesporen op het **kettingwiel (N-1)**. Als de slijtagesporen dieper dan 0,5 mm zijn: neem contact op met de service-dealer van EGO om het kettingwiel te vervangen.
- Controleer ook het remsysteem, als de slijtageverschijnselen op de **remvoering (N-2)** ongelijk zijn, neem dan contact op met de service-dealer van EGO om de remvoering te laten vervangen. (Afb. N)

N-1	Kettingwiel	N-2	Remvoering
-----	-------------	-----	------------

- Controleer het zaagblad; zie het gerelateerde hoofdstuk: **ZAAGBLAD ONDERHOUD**
- Controleer de zaagketting; zie bijbehorende alinea: **KETTING ONDERHOUD**
- Test de kettingrem; zie bijbehorende alinea: **TERUGSLAG VEILIGHEIDSRICHTINGEN VAN DEZE**

KETTINGZAAG

- Controleer de bedieningen; zie bijbehorende alinea: **DE KETTINGZAAG STARTEN/STOPPEN**
- Controleer de kettingsmering; zie bijbehorende alinea: **CONTROLLEREN VAN DE KETTINGSMERING**

ONDERHOUD

REINIGING

- Na ieder gebruik dient u het vuil met een zachte borstel van de ketting en het zaagblad te verwijderen. Veeg het oppervlak van de kettingzaag schoon met een vochtige doek en een mild zeepsopje.
- Voor de grondige reiniging moet de gemonteerde zij-afdekking worden verwijderd, het zaagblad en de zaagketting ook en daarna kunt u met een zachte borstel vuil van het zaagblad, zaagketting en het aandrijftandwiel van de motor van de kettingzaag reinigen.

- Verwijder altijd houtsnippers, zaagsel en vuil van de groef van het zaagblad als u de zaagketting vervangt.

STOF VERWIJDEREN

1. Verwijder de stekker, laat de kettingzaag afkoelen en draai de dop van de olietank vast.
2. Activeer de zaagrem
3. Gebruik de combi-sleutel (inbegrepen) om de schroef van de **stofverwijderingsafdekking (O-1)** los te draaien en te openen (afb. O1).
4. Verwijder het zaagstof en zaagsel dat zich heeft opgehoopt in koelvin met behulp van perslucht, blaas het van de tegenovergestelde richting van de luchtinlaat (O-2). (Afb. O2).

O-1	Stofverwijderingsafdekking	O-2	Luchtinlaat
-----	----------------------------	-----	-------------

ZAAGBLAD ONDERHOUD

Als het zaagblad tekenen van slijtage vertoont, demonteer hem dan de kettingzaag motorkop en draai hem om voor hernieuwde montage (afb. P1), hierdoor bereikt u de maximale levensduur.

Het zaagblad dient iedere dag van gebruik te worden gereinigd (inclusief **zaagbladgeleiders (P-1)** en de **smeeropening (P-2)**) en dient op slijtage en beschadigingen te worden gecontroleerd (afb. P2). Vering of afbramen van de bladgeleiders is een normaal slijtageproces van het zaagblad. Dergelijke fouten dienen te worden verholpen met een vijl zodra deze de kop opsteken. Een blad met één van de volgende fouten dient te worden vervangen.

Slijtage aan de binnenkant van de bladgeleiders waardoor de ketting over de zijkant kan lopen.

- Gebogen zaagblad.
- Gescheurde of gebroken geleiders.
- Uiteenstaande geleiders.

Het zaagblad heeft een tandwiel aan de punt. Het tandwiel moet op een wekelijkse basis worden gesmeerd met een vetspuit om de levensduur van het zaagblad te verlengen (afb. P3 & P4). Draai het **neustandwiel (P-3)** omhoog terwijl u het **doorschijnend geel, doorschijnend rood of doorschijnend vet** in de **smeeropening (P-4)** pompt, totdat het gehele tandwiel is voorzien van nieuw vet. Druk geen vuil in het gat.

P-1	Zaagbladgeleiders	P-3	Kettingwiel
P-2	Smeeropening	P-4	Smeeropening

KETTING ONDERHOUD

Gebruik alleen kettingen met een lage terugslag op deze zaag. Deze snel zagende ketting zorgt voor een verminderde terugslag als hij correct wordt onderhouden.

Een goed geslepen zaagketting snijdt moeiteloos door hout, zelfs met zeer weinig druk. Gebruik nooit een botte of beschadigde zaagketting. Een botte zaagketting leidt tot verhoogde lichamelijke krachtinspanning, verhoogde trilling, onbevredigende zaagresultaten en verhoogde slijtage.

Voor het soepel en snel zagen dient de ketting correct te worden onderhouden. De ketting moet worden geslepen als de houtsnippers klein en poederachtig zijn, de ketting met kracht door het hout moet worden gedrukt of als de ketting aan slechts één zijde zaagt. Tijdens het onderhoud van uw ketting moet u rekening houden met het volgende:

- Een onjuiste vijlhoek van de zijplaat kan het risico op een zware terugslag verhogen.
- Dieptemeter speling. Te laag verhoogt het potentiële risico op een terugslag. Niet laag genoeg vermindert het zaagvermogen.
- Als de zaagtanden harde voorwerpen hebben getroffen, zoals spijkers en stenen, of als ze worden afgeschuurd door modder of zand op het hout, moet de ketting worden geslepen door een gekwalificeerde servicemonteur.

OPMERKING: het wordt aanbevolen om het slijpen en het onderhoud van de **zaagketting** uit te laten voeren door geautoriseerde servicecenters.

TRANSPORT EN OPSLAG

- Berg de kettingzaag nooit op en transporteer hem niet als hij aan staat. Trek de stekker altijd eruit voordat u hem opbergt of transporteert.
- Plaats altijd de bescherming op het zaagblad en de ketting voordat u de kettingzaag opslaat of transporteert. Let op voor de scherpe tanden van de ketting.
- Maak de kettingzaag grondig schoon voordat u deze opbergt. Berg de kettingzaag binnenshuis op in een droge ruimte die voor kinderen gesloten en/of ontoegankelijk is.
- Houd uit de buurt van corrosieve middelen, zoals tuinchemicaliën en strooizout.

Het milieu beschermen



WEEE (afgedankte elektrische en elektronische apparatuur) Gooi geen elektrische apparatuur, gebruikte batterijen en laders weg via het huishoudelijk afval! Geef dit product af bij een geautoriseerd recyclingbedrijf en zorg dat het apart kan worden ingezameld. Elektrisch gereedschap moet worden afgegeven voor een milieuvriendelijke recycling.

PROBLEEMOPLOSSING

NL

PROBLEEM	OORZAAK	OPLOSSING
De motor start niet.	<ul style="list-style-type: none"> ■ De stekker van de batterijholster is niet met de kettingzaag verbonden. ■ Er is geen elektrisch contact tussen de batterijholster en de accu. ■ De sluitlip is niet naar boven gevouwen. ■ De ‚AAN-UIT‘ schakelaar staat op ‚UIT‘. ■ De kettingrem is geactiveerd. 	<ul style="list-style-type: none"> ■ Steek de stekker van de batterijholster in de kettingzaag. ■ Ontkoppel de accu, controleer de contacten en herinstalleer het accupack weer. ■ Vouw de sluitlip naar boven voordat u start. ■ Zet de ‚AAN/UIT‘ schakelaar op ‚AAN‘. ■ Trek de ketting terugslag remhendel naar achteren naar de bovenste handgreep tot in de gebruikspositie.
De kettingzaag stopt met lopen tijdens het gebruik.	<ul style="list-style-type: none"> ■ Het accupack of de kettingzaag is te warm. ■ De kettingzaag is overbelast. ■ Te veel stukjes hout blokkeren het ventilatiekanaal. ■ Het accupack is uitgeput. 	<ul style="list-style-type: none"> ■ Koel het accupack of de kettingzaag af ■ Verlaag de belasting. ■ Verwijder het stof; zie hiervoor de alinea ‚STOF VERWIJDEREN‘. ■ Laad het accupack op
De kettingrem wordt niet geactiveerd	<ul style="list-style-type: none"> ■ Vuil voorkomt de volledige beweging van de ketting terugslag remhendel ■ Mogelijke kettingrem storing 	<ul style="list-style-type: none"> ■ Verwijder vuil van het externe kettingremmechanisme ■ Neem contact op met de klantenservice van EGO in geval van reparaties.
Geen smering tijdens het zagen.	<ul style="list-style-type: none"> ■ Kettingolie tank is leeg. ■ De olie-uitgang van het zaagblad is geblokkeerd ■ Olieverharding bij lage temperatuur 	<ul style="list-style-type: none"> ■ Smeermiddel van het zaagblad en de ketting bijvullen. ■ Verwijder het stof in de olieuitgang. ■ Vervang de juiste smeerolie (geschikt voor lage temperatuur)
De geringe olieniveau-indicator knippert rood of toont abnormaal licht terwijl de olietank wordt gevuld met olie.	<ul style="list-style-type: none"> ■ Als het gereedschap in een speciale hoek wordt gehouden, kan het gebeuren dat de olie in de olietank niet naar de olieleiding kan geraken. ■ De categorie en kleur van de olie is niet aanbevolen. ■ Gering olieniveau-indicator knippert nog altijd rood. 	<ul style="list-style-type: none"> ■ Plaats de kettingzaag vlak en probeer het nogmaals. ■ Gebruik de aanbevolen doorschijnend gele, doorschijnend rode of doorschijnende olie ■ Neem contact op met de klantenservice van EGO in geval van reparaties
Geringe olie-indicator werkt niet als de olietank te weinig olie bevat.	<ul style="list-style-type: none"> ■ De categorie en de kleur van de olie kan niet worden vastgesteld. ■ Er bevindt zich nog een beetje olie in de olieleiding of de olieleiding ■ Gering olieniveau-indicator werkt nog altijd niet vanwege de bovenstaande redenen. 	<ul style="list-style-type: none"> ■ Gebruik de aanbevolen doorschijnend gele, doorschijnend rode of doorschijnende olie ■ Gebruik de kettingzaag een poosje en observeer vervolgens de geringe olieniveau-indicator ■ Neem contact op met de klantenservice van EGO in geval van reparaties.

GARANTIE

EGO GARANTIEBELEID

Bezoek alstublieft de website egopowerplus.com voor de volledige voorwaarden van het EGO garantiebeleid.

LAS ALLE ANVISNINGER!



LÆS BRUGERVEJLEDNINGEN

⚠ Resterende risiko! Folk med elektroniske enheder, såsom pacemakere, skal spørge deres læge til råds, før de bruger dette produkt. Betjening af elektrisk udstyr i umiddelbar nærhed af en pacemaker, kan forårsage forstyrrelser eller svigt af pacemakeren.

SIKKERHEDSSYMBOL

Formålet med sikkerheds- symboler er at tiltrække din opmærksomhed på mulige farer. Du skal være meget opmærksom på sikkerhedssymbole og forklaringerne til dem og lære at forstå dem. Symbolernes advarsler fjerner ikke i sig selv eventuelle farer. Anvisningerne og advarslerne er ingen erstatninger for ordentlig forebyggelse af ulykker.

⚠ ADVARSEL: Sørg for at læse og forstå alle sikkerhedsanvisninger i denne brugsanvisning, herunder alle sikkerhedssymboler, såsom "FARE," "ADVARSEL" og "FORSIGTIG", før du bruger dette værktøj. Hvis anvisningerne nedenfor ikke følges, kan det føre til elektrisk stød, brand og/eller alvorlig personskade.

DK

SYMBOLERNES BETYDNING

Denne side viser og beskriver sikkerhedssymboler, der kan være på dette produkt. Læs, forstå, og følg alle anvisningerne på maskinen, før du forsøger at samle og betjene den.

SIKKERHEDSSYMBOLER



Sikkerhedsadvarsel



For at reducere risikoen for skader, skal brugeren læse og forstå brugsanvisningen, før dette produkt tages i brug.



Brug kraftige handsker, der er lavet af slidstærkt materiale



Brug tætsiddende tøj. Brug ikke halstørklæder, slips eller smykker



Benyt skridsikkert sikkerhedsfodtøj



Brug tætte sikkerhedsbriller, ørepropper eller høreværn og en sikkerhedshjelm med hagestroppen



Pas på tilbageslag - Undgå, at spidsen af savsværdet kommer i kontakt med nogen genstande.



Hold altid med begge hænder - Brug altid to hænder, når motorsaven bruges.



Tilbageslag på spidsen af savsværdet - Hvis spidsen af savsværdet kommer i kontakt med en genstand, kan det slynges opad og bagud, hvilket kan føre til alvorlige skader.



Oplysninger om savsværdet.



Elektriske affaldsprodukter må ikke bortskaffes sammen med husholdningsaffald. Bring det til en godkendt genbrugsplads.



Må ikke udsættes for regn.

V Volt



Støj

≡ Jævnstrøm (DC)

CE CE

SPECIFIKATIONER

Spænding	56 V	
Anbefalet driftstemperatur:	-15°C-40°C	
Anbefalet opbevaringstemperatur:	-40°C-70°C	
Optimal opladningstemperatur	5°C-40°C	
Skærelængde	300 mm	
Kædehastighed	20m/s	
Kædedeling	3/8" (9,5 mm)	
Kædemåler	1,1 mm	
Savkædetype	AC1200 (anbefalet) AC1400 (kompatibel) AC1600 (kompatibel)	
Sværdtype	AG1200 (anbefalet) AG1400 (kompatibel) AG1600 (kompatibel)	
Vægt (uden batteripakke, kædehylster)	3,5 kg	
Målt lydeffektniveau L_{WA}	98,8 dB(A) K=3 dB(A)	
Lydtryk tæt ved arbejdspositionen L_{PA}	88,1 dB(A) K=3 dB(A)	
Garanteret lydeffektniveau L_{PA} (i henhold til 2000/14/EF)	102 dB(A)	
Vibration a_n	Forreste håndtag	1,73 m/s ² K= 1,5 m/s
	Hovedhåndtag	2,21 m/s ² K= 1,5 m/s

- Den samlede erklærede vibrationsværdi er målt i overensstemmelse med en standard testmetoden, og den kan bruges til at sammenligne et værktøj med et andet;
- Den samlede angivne vibrationsværdi kan også bruges ved en foreløbig vurdering af eksponeringen.

BEMÆRK: Vibrationsemissionen ved faktisk brug af elværktøjet kan afvige fra den angivne værdi, hvor værktøjet bruges. For at beskytte brugeren, skal brugeren bruge handsker og høreværn i de faktiske brugsforhold.

BESKRIVELSE

GØR DIG BEKENDT MED DIN MOTORSAV (fig. A1)

1. Savkæde
2. Bremsehåndtag ved tilbageslag
3. Låsegreb
4. Hovedhåndtag
5. Gashåndtag med forskellige hastigheder
6. Øje
7. Batteriindikator
8. Lav olie-indikator
9. Forreste håndtag
10. Låg til oliebeholder
11. Savsværd
12. Hul til smøring
13. Kædehjul
14. Skruer til stramning af kæden
15. Tænd/sluk-sikkerhedsknap
16. Sværdbolt
17. Sværdmøtrik
18. Samlet sidedæksel
19. Dæksel til skrue til justering af oliestrøm
20. Dæksel til støvfjernelse
21. Udløsermekanisme
22. Elektriske kontakter
23. Udløserknap til batteri
24. Bæltekrog
25. Spænde
26. Ledning
27. Rem
28. Ring 1
29. Savkrog
30. Strømskik
31. Ring 2
32. Kædehylster
33. Kombi-skruenøgle

LISTE OVER DELE (FIG. A1)

SAMLING

MONTERING/AFMONTERING AF SVÆRDET OG KÆDEN

⚠ ADVARSEL: Afbryd altid strømstikket, og brug beskyttelseshandsker, inden produktet samles og inden du udfører vedligeholdelse på produktet.

⚠ ADVARSEL: Læs alle sikkerhedsadvarsler, anvisninger, billeder og specifikationer, der følger med dette elværktøj. Hvis anvisningerne nedenfor ikke følges, kan det føre til elektrisk stød, brand og/eller alvorlig personskade.

Gem alle advarsler og instruktioner til fremtidig reference.

1. Sørg for, at bremsehåndtaget ved tilbageslag står på .
2. Løsn **sværdmøtrikken (A-17)** mod uret, for at fjerne **sidedækslet (A-18)**.
3. Læg savkæden i en løkke på en plan flade, og ret alle knæk ud. (Fig. B1)
4. Sæt **kædeleddene (B-1)** i **rillen (B-2)** på sværdet, og sørg for at kæden danner en løkke på bagsiden af sværdet. (Fig. B2)
5. Hold kæden på plads på sværdet, og sæt kædeløkken omkring kædehjulet (B-3) på motorhuset og kontroller følgende dele (fig. 3).
 - a) Kædeleddene sidder i tænder på **kædehjulet (B-3)**.
 - b) **Skrue til stramning af kæden (B-4)** og **sværdbolt (B-5)** sidder i rillen på sværdet. **Spændestift (B-6)** sidder i hullet på sværdet.

BEMÆRK: Sørg for, at pilene på savkædetænderne peger fremad (fig. B3).

6. Se afsnittet »**STRAMNING AF SAVKÆDEN**« for, at sikre at kæde er sat ordentligt på og at den ikke binder.
7. Sørg for, at de to **sværdpinde (B-7)** på sidedækslet passer med **hullerne (B-8)** i saven, og sæt derefter sidedækslet på. (fig. B4)
8. Stram sværdmøtrikken

B-1	Kædeled	B-5	Sværdbolt
B-2	Rille	B-6	Stift til stramning af kæden
B-3	Kædetandhjul	B-7	Sværdpinde
B-4	Skrue til stramning af kæden	B-8	Huller

BEMÆRK: Hvis sværdet skal skiftes, skal du tage sidedækslet af og sæt det på det nye sværd, som vist i fig. C.

BETJENING

ANVENDELSE

- Denne motorsav er særlig beregnet til afgrening i træer og til vedligeholdelse.



Denne sav må kun bruges af personer, der kender til træarbejde.

BEMÆRK: Det anbefales, at førstegangsbrugere - som minimum - over sig i at skære træstammer på en savbuk eller holder.

STRAMNING AF SAVKÆDEN

⚠ ADVARSEL: Kæden må aldrig røres ved eller justeres, når motoren kører. Motorsaven er meget skarp. Sørg altid for at bruge beskyttelseshandsker, når du udfører vedligeholdelsesarbejde på kæden.

Savkæden udvider sig og trækker sig sammen under brug. Dette fører til ændringer i kædens spænding. Kontroller kædens spænding regelmæssigt under brug og juster den hvis nødvendigt.

1. Sluk motorsaven, slå kædebremsen til og træk stikket ud af stikkontakten.
2. Løsn sværdmøtrikken, så sværdet kan bevæge sig frit og justeres fremad.
3. Hold sværdets spids opad, og juster skruen til stramning af kæden, indtil følgende punkter gælder:
 - a) Kædesænkning midt på sværdet er ca.: 1 - 2 mm (fig. D).
 - b) Løsn kædebremsen, og sørg for, at kæden kan trækkes langs sværdet med to fingre.

BEMÆRK: Udfør forsigtigt dette trin for at undgå personskader. Da denne jævnstrømsmotor indeholder magnetisk materiale, mærker du en en vis modstand når du flytter savkæden med to fingre, hvilket ikke er tilfældet på en benzindrevet motorsav. Den kører ikke så jævnt, som på en benzindrevet motorsav.

4. Hold sværdets spids opad og stram sværdmøtrikken.

BEMÆRK: Hvis kædesænkingen på midten af sværdet ikke er 1 - 2 mm, skal kædens spænding justeres igen.

PÅFYLDNING AF OLJETANKEN

1. Afbryd motorsaven fra stikkontakten.
2. Læg motorsaven på siden på en fast, flad overflade, så olietankdækslet vender opad. Åbn dækslet på olietanken. Hvis det er for stramt, skal du bruge skruenøglen (medfølger) til at løse det (fig. E)
3. Fyld forsigtigt olien i olietanken. Fyld op til den nederste kant på halsen. Tør olierester af, og sæt dæksel på.

BEMÆRK:

- Motorsaven er ikke fyldt med olie, når den købes. Der skal fyldes olie på motorsaven inden brug. Kæden smøres automatisk med kædeolien, når saven bruges.
- Den er specielt udviklet til at give lav friktion og hurtigere arbejde.
- Brug aldrig olie eller andre smøremidler, der ikke er beregnet til sværdet og kæden. Dette kan tilstoppe oliesystemet, som kan hurtigt slide sværdet og kæden.

DK

JUSTERING AF OLIESTRØMMEN (fig. F)

- Denne sav er udstyret med en **oliestrømsjusteringssskrue (F-1)** for neden på værktøjet. Den bruges til at justere oliestrømmen til smøring af kæden, sværdet og skæresystemet. Følg pilens retning for forøgelse eller reduktion af oliestrømmen, som markeret på kabinettet.

LYSINDIKATORERNE PÅ MOTORSAVEN

Motorsaven er udstyret med 2 lysindikatorer, der viser oliestatus og opladningsstatus på batterierne.

Lysindikator		Betydning	Handling
Indikator for olieindikator (A-8)	Blinker rødt	Mangel på olie	Fyld olietanken op
	Lyser ikke	Har olie	/
Batteriindikator (A-7)	Lyser grøn	Batteriet har strøm	/
	Blinker grønt	Batteriet er ved at løbe tør for strøm og skal straks oplades.	Skift batteriet

MONTERING AF BATTERIHYLSTERET PÅ KLATRESELEN

Denne motorsav leveres med et batterihylster, som bruges til at bære batteripakken og gør det muligt at fastgøre det til en klatresæle (medfølger ikke).

BEMÆRK: Sæt batterihylsteret fast på klatreselen, inden klædeselen tages på.

- Find et passende sted, hvor du ønsker at sætte batterihylsteret på klatreselen, og hæng batterihylsteret på klatreselen med **bæltekrogen (G-1)**. (Fig. G1)
- Sæt bæltet rundt om klatreselen for, at sætte batterihylsteret fast (fig. G2 & G3).
- Sæt de to **ringe (G-2)** på sikkerhedsremmen fast på klatreselen med to karabinhager (medfølger ikke), som vist i figur G4.

G-1	Bæltekrog	G-2	Ringe
-----	-----------	-----	-------

BEMÆRK:

- Når du klatrer i træet, skal du fastgøre sætte ring 1 og 2 på sikkerhedsremmen på klatreselen med karabinhager (medfølger ikke) (fig. G5)
- Når værktøjet er i brug, skal du løsne ring 2 fra klatreselen, og holde saven i to hænder, når du saver (fig. G6).

FASTGØRELSE AF SAVEN PÅ BATTERIHYLSTERET

Sæt **savkrogen (H-2)** på sikkerhedsremmen på **øjet (H-1)**. (Fig. H)

H-1	Øje	H-2	Savkrog
-----	-----	-----	---------

INSTALLATION/FJERNELSE AF BATTERIPAKKE

BEMÆRK: Oplad batteriet helt før første brug.

Isættelse (fig. I1)


Flugt de hævede ribber på batteripakken med monteringsrillerne, og tryk derefter batteriet ned i batterihylsteret, indtil det klikker på plads.

Udtagelse (fig. I2)

Tryk på knappen til batterifrigivelse med tommeltotten for, at fjerne batteripakken.

SÅDAN STARTES/STOPPES MOTORSAVEN

Sådan startes produktet


- Sørg for, at "▲" mærkerne på **strømskikket (J-2)** og motorsavens strømstik (J-1) passer sammen, og sæt derefter stikket i motorsaven, indtil den GRØNNE pakning på stikket forsvinder HELT i stikket (fig. J1).
- Sæt »tænd/sluk«-knappen på »**Tænd**« (Fig. J2).
- Træk bremsehåndtaget ved tilbageslag mod hovedhåndtaget .
- Tryk **låsegrebet (J.3)** fremad, og tryk derefter på **gashåndtaget (J-4)**. Jo mere du trækker i gashåndtaget, jo hurtigere kører motorsaven (fig. J3).

J-1	Elektrisk stik	J-3	Låsegreb
J-2	Strømsstik	J-4	Gashåndtag

Sådan stoppes produktet

- Slip gashåndtaget for, at stoppe motorsaven.

BEMÆRK: Savkæden fortsætter med at dreje et kort stykke tid, efter gashåndtaget slippes. Undgå kontakt med motorsaven efter frigivelse af gashåndtaget, og når motorsaven sættes ned.

- Tryk bremsehåndtaget ved tilbageslag frem til bremsepositionen »«.
- Stil "Tænd-sluk"-knappen på »**Sluk**«

⚠ ADVARSEL: Tag altid motorsavens stik ud af stikkontakten i pauser og, når du er færdig med at bruge motorsaven.

FORBEREDELSE TIL SAVNING

Sådan holder du et korrekt greb om håndtagene (fig. K)

- Brug skridsikre handsker, så du får et maksimalt greb og beskyttelse.
- Tag altid fast i det forreste håndtag med venstre hånd og i hovedhåndtag med højre hånd.
- Fingrene skal omringe håndtaget, med tommelfingeren under det forreste håndtag.

⚠ ADVARSEL: Brug aldrig et venstrehåndsgreb (kejhåndet). Og stå aldrig på måde, som ville placere din krop eller arm i savelinjen.

⚠ ADVARSEL: Brug ikke gashåndtaget med din venstre hånd, og hold forhåndtaget med din højre hånd. Undgå altid, at kroppen befinder sig i kædelinjen, når du bruger en motorsav (fig. L).

KONTROL AF KØDESMØRINGEN (fig. M)

BEMÆRK: Sørg for, at motorsaven er fyldt med den rigtige mængde kædeolie.

1. Hold sværdet over en lys farvet overflade.
2. Tænd for saven. Du kan se en tydelig olielinje på den lyse overflade efter 1 minut, hvis kædesmøring virker ordentligt.
3. Hvis kædeolie stadig ikke er synlig på den lyse overflade, bedes du se afsnittet **“JUSTERING AF OLIESTRØMMEN”** for at justere den

BRUG I ET TRÆ

⚠ ADVARSEL: Når du arbejder eller klatrer, anbefales det at bruge en ekstra støtte, såsom en fodbøjle eller et justerbart taljereb, så du undgår udsving eller skæreeulykker.

Inden du bruger den, skal du kontrollere følgende punkter:

- Kontroller slidmærkerne på **kædehjulet (N-1)**. Hvis slidmærkerne er dybere end 0,5 mm, skal du kontakte din EGO-serviceforhandler for, at skifte kædehjulet.
- Kontroller også bremsesystemet. Hvis slidmærker på **bremsebelægningen (N-2)** er ujævne, skal du kontakte din EGO-serviceforhandler for, at skifte bremsebelægningen. (Fig. N)

N-1	Kædetandhjul	N-2	Bremsebelægning
-----	--------------	-----	-----------------

- Kontrol af sværdet. Se relateret afsnit: **VEDLIGEHOLDELSE AF SAVSVÆRDET**

- Kontrol af savkæden. Se relateret afsnit: **VEDLIGEHOLDELSE AF KÆDEN**
- Test af kædebremsen. Se relateret afsnit: **SIKKERHEDSENHEDER MOD TILBAGESLAG PÅ DENNE**

MOTORSAV

- Kontrol af betjeningsknapperne. Se relateret afsnit: **SÅDAN STARTES/STOPPES MOTORSAVEN**
- Kontrol af kædens smøring. Se relateret afsnit: **KONTROL AF KØDESMØRINGEN**

VEDLIGEHOLDELSE

RENGØRING

- Efter hver brug, skal kæden og savsværdet rengøres for rester med en blød børste. Tør motorsavens overflade af med en ren klud, fugtet med en mild sæbeopløsning.
- For grundig rengøring skal du fjerne sidedækslet, tage sværdet og savkæden af, og brug derefter en blød børste til grundigt at fjerne snavs på sværdet, savkæden og drivhjulene på motorsavens motorhoved.
- Rengør altid rillen på savsværdet for træflis, savsmuld og skidt, inden savkæden sættes på.

FJERN STØV

1. Afbryd strømstikket, og lad motorsaven køle ned, og stram dækslet på olietanken.
2. Lås savbremsen
3. Brug kombi-skruenøglen (medfølger) til at løsne skruen på **dækslet til støvfjernelse (O-1)** for at åbne det (fig. 01).
4. Rengør savsmuld og spåner, der har samlet sig i køleribben med trykluft. Blæs den fra den modsatte side af **luftindtaget (O-2)**. (Fig. 02)

O-1	Dækslet til støvfjernelse	O-2	Luftindtag
-----	---------------------------	-----	------------

VEDLIGEHOLDELSE AF SAVSVÆRDET

Når sværdet viser tegn på slid, skal det tages af motorhovedet og vendes om (fig. P1). På denne måde slides sværdet på begge sider, så det holder længere. Sværdet - herunder **sværdskinne (P-1)** og **hullet til smøring (P-2)** - skal rengøres hver dag efter brug, og de skal ses efter for slid og skader (fig. P2). Uddynding og afgratning på rillen af sværdet er et normalt tegn på slid. Sådanne fejl skal jævnnes ud med en fil, så snart de opstår. Et sværd med en af følgende fejl, skal skiftes.

DK

Slid på indersiden af rillen på sværdet, som får kæden til at køre skævt.

- Et bøjet sværd.
- Revnede eller ødelagte riller.
- Udvidede riller.

Sværdet har et tandhjul i spidsen. Tandhjulet skal smøres ugentligt med en fedtsprøjt, så dets levetid forlænges (fig. P3 & P4). Drej **næsetandhjulet (P-3)**, mens du pumper det **gennemsigtige gule, gennemskinnelige røde eller gennemsigtige fedt ind i hullet til smøring (P-4)**, indtil hele tandhjulet har nyt fedt. Tryk ikke skidt ind i hullet.

DK

P-1	Sværdriller	P-3	Kædehjul
P-2	Hul til smøring	P-4	Hul til smøring

VEDLIGEHOLDELSE AF KÆDEN

Brug kun kæder, der reducerer chancen for tilbageslag. Den hurtige savkæde reducerer chancen for tilbageslag, når den vedligeholdes ordentligt.

En ordentlig slebet kæde kan nemt save gennem træ, også uden meget pres. Brug aldrig en nedslidt eller beskadigede savkæde. En nedslidt kæde øger den fysiske belastning, får motorsaven til at vibrere mere og save dårligere, og slider mere på motorsaven.

For nem og hurtig skæring, skal kæden vedligeholdes ordentligt. Kæden skal slibes, hvis træfliserne bliver små og ligner savsmuld, hvis motorsaven skal tvinges gennem træet eller hvis motorsaven saver til den ene side. Når kæden vedligeholdes, skal du holde øje med følgende:

- Forkert slibevinkel på sidepladen kan øge risikoen for alvorlige tilbageslag.
- Indstilling af dybdemåleren. Hvis den er for lav, øges risikoen for tilbageslag. Hvis den er for høj, reduceres saveevnen.
- Hvis skæretænderne har ramt hårde genstande, såsom søm eller sten, eller er blevet slidt af mudder eller sand på træet, skal kæden slibes af en kvalificeret servicetekniker.

BEMÆRK: Det anbefales, at få **savkæden** slebet og vedligehold af et autoriserede servicecentre.

TRANSPORT OG OPBEVARING

- Motorsaven må ikke opbevares eller transporteres, når den kører. Træk altid stikket ud af stikkontakten inden motorsaven gemmes væk og transporteres.
- Sæt altid skeden på sværdet og hylsteret på kæden, inden motorsaven gemmes væk eller transporteres. Vær forsigtig med ikke at røre de skarpe tænder på kæden.
- Rengør motorsaven grundigt før opbevaring. Motorsaven skal opbevares indendørs på et tørt sted, der er låst og/eller utilgængelige for børn.
- Holdes væk fra ætsende stoffer, såsom havekemikalier og vejsalt.

Beskyttelse af miljøet



WEEE (Waste Electrical and Electronic Equipment) Elektrisk udstyr, batterioplader og batterier må ikke smides ud sammen med almindelig husholdningsaffald! Tag dette produkt til en autoriseret genbrugsplads, og sørg for at det sendes til genbrug. Elektriske værktøjer skal returneres til et miljøkompatibelt genvindingsanlæg.

FEJLFINDING

PROBLEM	ÅRSAG	LØSNING
Motoren kører ikke.	<ul style="list-style-type: none"> ■ Stikket til batterihylsteret er ikke sat til motorsaven. ■ Ingen elektrisk kontakt mellem batterihylsteret og batteriet. ■ Låsegrebet er ikke foldet op. ■ “Tænd-sluk”-knappen står på “Sluk”. ■ Kædebremseren er aktiveret. 	<ul style="list-style-type: none"> ■ Sæt strømstikket på batterihylsteret i motorsaven. ■ Fjern batteriet, kontroller kontakter og sæt batteriet i igen. ■ Fold låsegrebet op inden start. ■ Stil »Tænd/sluk«-knappen på »Tænd«. ■ Træk kædebremshåndtaget tilbage mod det forreste håndtag, så det sidder i driftspositionen.
Motorsaven holder op med, at køre under arbejdet.	<ul style="list-style-type: none"> ■ Batteripakken eller motorsaven er for varm. ■ Motorsaven overbelastet. ■ For mange trærester tilstopper ventilationskanalen. ■ Batteriet er afladet. 	<ul style="list-style-type: none"> ■ Nedkøl batteripakken eller motorsaven ■ Reducer belastningen. ■ Rengør støvet. Se afsnittet “FJERN STØV”. ■ Oplad batteripakken
Kædebremseren aktiveres ikke	<ul style="list-style-type: none"> ■ Snavs forhindrer kædebremsehåndtaget i at kunne bevæges ■ Mulig funktionsfejl på kædebremsen 	<ul style="list-style-type: none"> ■ Rengør for snavs på den eksterne kædebremsemekanisme ■ Kontakt EGO's kundeservice for reparation.
Ingen oliesmøring under skæring.	<ul style="list-style-type: none"> ■ Der er ikke mere olie i oliebeholderen. ■ Kædestangens olieudgang er blokeret ■ Olien størkner i lave temperaturer 	<ul style="list-style-type: none"> ■ Sørg for at der er nok smøremiddel til savsværdet og kæden. ■ Fjern støvet i olieudgangen. ■ Skift til den korrekte smøreolie (beregnet til en lav temperatur)
Indikatoren for lav olie blinker rød eller viser unormalt lys, og olietanken er fyldt med olie.	<ul style="list-style-type: none"> ■ Maskinens bruges i en særlig vinkel, der gør, at olien i olietanken ikke kommer ind i olierøret. ■ Oliekategori og -farve anbefales ikke. ■ Indikatoren for lav olie blinker stadig rødt. 	<ul style="list-style-type: none"> ■ Anbring motorsaven fladt, og prøv igen. ■ Brug den anbefalede gennemskinnelige gule, gennemskinnelige røde eller gennemskinnelige olie ■ Kontakt EGO's kundeservice for reparation
Indikatoren for lav olie fungerer ikke, når olietanken mangler olie.	<ul style="list-style-type: none"> ■ Oliekategorien og -farven kan ikke identificeres. ■ En lille mængde olie er stadig i olietanken eller olierøret ■ Indikatoren for lav olie fungerer stadig ikke af ovenstående grunde. 	<ul style="list-style-type: none"> ■ Brug den anbefalede gennemskinnelige gule, gennemskinnelige røde eller gennemskinnelige olie ■ Brug motorsaven et stykke tid, og hold derefter øje med indikatoren for lav olie igen ■ Kontakt EGO's kundeservice for reparation.

DK

GARANTI

EGO GARANTI POLITIK

Besøg venligst hjemmesiden egopowerplus.com for fuldstændige vilkår og betingelser for EGO's garantipolitik.

LÄS IGENOM ALLA INSTRUKTIONER!



LÄS IGENOM BRUKSANVISNINGEN

⚠ Dolda risker! Personer med elektroniska enheter såsom pacemaker skall rådfråga sin läkare innan denna produkt används. Användning av elektronisk utrustning i närheten av en pacemaker kan orsaka störningar eller fel på pacemakern.

SÄKERHETSSYMBOL

Syftet med säkerhetssymboler är att uppmärksamma eventuella faror. Säkerhetssymbolerna och förklaringarna av dessa kräver din fullständiga uppmärksamhet och förståelse. Symbolvarningarna i sig eliminerar inte några faror. Instruktionerna och varningarna som ges är inte något substitut för korrekta åtgärder för förhindrande av olyckor.

SE

⚠ VARNING: Var noga med att läsa och förstå alla säkerhetsinstruktioner i denna bruksanvisning, inklusive alla varningssymboler såsom **“FARA,” “VARNING,”** och **“FÖRSIKTIGHET”** innan detta verktyg används. Underlåtenhet att läsa alla instruktioner som listas nedan kan resultera i elektrisk stöt, brand och/eller allvarlig personskada.

SYMBOLBETYDELSE

Denna sida framställer och beskriver säkerhetssymboler som kan visas på denna produkt. Läs igenom, förstå och följ alla instruktioner på maskinen innan försök görs att montera och hantera den.

SÄKERHETSSYMBOLER



Säkerhetslarm



För att minska risker för skador måste användare läsa igenom och förstå bruksanvisningen innan denna produkt används.



Använd kraftiga handskar tillverkade av hållbart material



Använd åtsittande kläder. Använd inte halsduk, slips eller smycken.



Använd halkfria skyddsskor



Använd åtsittande skyddsglasögon, öronpluggar eller öronskydd och skyddshjälm med hakrem



Var medveten om rekyl - Kontakt med svärdets spets mot något föremål skall undvikas



Tvåhandsfattning - Använd alltid två händer när sågen hanteras.



Rekyl av svärdets spets - Kontakt med spetsen kan göra att svärdet plötsligt rör sig uppåt och bakåt vilket kan orsaka allvarliga skador.



Information om sågsvärdet.



Förbrukade elektriska produkter får inte kastas i hushållssoporna. Lämna in dem till en auktoriserad återvinningsstation.



Utsätt den inte för regn.

V Volt



Buller

☰ Likström

CE CE

SPECIFIKATIONER

Spänning	56 V	
Rekommenderad driftstemperatur:	-15°C-40°C	
Rekommenderad förvaringstemperatur:	-40°C-70°C	
Optimal laddningstemperatur	5°C-40°C	
Såglängd	300 mm	
Kedjehastighet	20 m/s	
Kedjedelning	3/8 tum' (9,5 mm)	
Kedjemått	1,1 mm	
Sågkedjetyp	AC1200 (Rekommenderas) AC1400 (Kompatibel) AC1600 (Kompatibel)	
Svärdtyp	AG1200 (Rekommenderas) AG1400 (Kompatibel) AG1600 (Kompatibel)	
Vikt (utan batteripaket, kedjeöverdrag)	3,5 kg	
Uppmätt ljudeffektnivå L_{WA}	98,8 dB(A) K=3 dB(A)	
Ljudtrycksnivå vid arbetspositionen L_{PA}	88,1 dB(A) K=3 dB(A)	
Garanterad ljudeffektsnivå L_{WA} (enligt 2000/14/EG)	102 dB(A)	
Vibration a_n	Främre handtag	1,73 m/s ² K= 1,5 m/s
	Huvudhandtag	2,21 m/s ² K= 1,5 m/s

- Det deklarerade totala vibrationsvärdet har uppmätts i enlighet med en standardtestmetod och kan användas för att jämföra ett verktyg med ett annat.
- Det deklarerade totala vibrationsvärdet kan också användas i en preliminär utvärdering av exponeringen.

NOTERA: Vibrationsutstrålningen under verklig användning av elverktyg kan skilja sig från det deklarerade värdet i vilken verktyget används. För att skydda användaren skall skyddshandskar och hörselskydd användas under faktiska användningsförhållandet.

BESKRIVNING

LÄR KÄNNA DIN KEDJESÅG (Bild A1)

1. Sågkedja
2. Rekylbromspaddel
3. Låstunga
4. Huvudhandtag
5. Avtryckare för variabel hastighet
6. Snörhål
7. Batteriindikator
8. Indikator låg oljenivå
9. Främre handtag
10. Lock oljetank
11. Svärd
12. Smörjhål
13. Kedjekrans
14. Spänningsskruv
15. PÅ-AV säkerhetsbrytare
16. Styrbult
17. Svärdsmutter
18. Glidande lockenhet
19. Lock justerskruv oljeflöde
20. Damborttagningshöjle
21. Utmatningsmekanism
22. Elektriska kontakter
23. Låsknapp för batteriet
24. Bälteskrok
25. Bältesspänne
26. Rem
27. Ledning
28. Ring 1
29. Sågkrok
30. Elkontakt
31. Ring 2
32. Kedjeöverdrag
33. Kombinyckel

SE

PACKLISTA (BILD A1)


MONTERING

MONTERING/DEMONTERING AV SVÄRDET OCH KEDJAN

⚠ VARNING: Koppla alltid ifrån elkontakten och använd skyddshandskar innan montering eller underhålls görs på produkten.

⚠ VARNING: Läs igenom alla säkerhetsvarningar, instruktioner, illustrationer och specifikationer som medföljer detta elverktyg. Underlåtenhet att följa alla instruktioner som listas nedan kan resultera i elektriska stötar, brand och/eller allvarliga personskadorna.

Spara alla varningar och instruktioner för framtida referens.

- Se till att rekylbromspaddeln är inställd på position .
- Skruva loss **svärdsmuttern (A-17)** moturs för att ta bort **sidohöljet (A-18)**.
- Lägg sågkedjan i en loop på en plan yta och räta ut alla knutar. (Bild B1)
- Placera **drivlänkarna /B1** i **spåret (B-2)** på svärdet och gör en loop med kedjan på baksidan av svärdet. (Bild B2)
- Håll kedjan i positionen på svärdet och placera loopen runt **kedjekuggen (B-3)** på drivenheten och kontrollera följande poster (Bild B3).
 - Kedjedrivlänkar är placerade i tänderna på **kedjekuggen (B-3)**.
 - Spänningsskruv (B-4)** och **svärdsbulten (B-5)** placeras i öppningen på svärdet. **Spänningsstift (B-6)** är aktiverad i hålet på svärdet.

NOTERA: Se till att riktningen på pilarna på sågkedjans tänder alltid är riktade framåt (Bild B3).

- Se sektionen **“SPÄNNA SÅGKEDJAN”** för att garantera att den är korrekt monterad utan att den kärvar.
- Rikta in två **styrstänger (B-7)** på sidohöljet mot respektive **hål (B-8)** i sågen, sätt sedan fast sidohöljet. (bild B4)
- Dra åt svärdsmuttern.

B-1	Drivlänkar	B-5	Styrbult
B-2	Skåra	B-6	Spänningsstift
B-3	Kedjedrev	B-7	Styrstänger
B-4	Spänningsskruv	B-8	Hål

NOTERA: Om svärdet behöver bytas, demontera sidohöljet och sätt tillbaka det på det nya svärdet såsom bild 5 visar.

DRIFT

ANVÄNDNING

- Denna kedjesåg är designad särskilt för arbeten och skötsel i träd.



Denna såg skall endast användas av personer som är särskilt utbildade för arbeten med träskötsel.

NOTERA: Det rekommenderas att första-gångs användare minst skall praktisera sågning av stockar på en sågbock eller vagga.

SPÄNNING AV SÅGKEDJAN

⚠ VARNING: Vidrör aldrig eller justera kedjan medan motorn körs. Sågkedjan är mycket vass; använd alltid skyddshandskar vid underhåll av kedjan.

Sågkedjan expanderar eller dras ihop under normalt sågarbete. Det resulterar i att kedjespänningen ändras. Kontrollera kedjespänningen regelbundet under arbetet och justera vid behov.

- Stäng av kedjesågen, aktivera kedjebromsen och koppla ifrån strömkontakten.
- Lossa svärdsmuttern så att svärdet kan röras fritt för justering.
- Håll svärdsnosen uppåt och justera spänningsskraven till följande punkter gäller:
 - Kedjans svikt i mitten av svärdet är cirka: 1 - 2 mm (bild D).
 - Avaktivera kedjebromsen, se till att kedjan kan dras långs med svärdet med två fingrar.

NOTERA: Utför detta steg försiktigt för att undvika personsador. Då denna likströmsmotor innehåller magnetiskt material kommer du, jämfört med konventionella bensindrivna kedjesågar, att känna ett visst motstånd om motorsågen körs med två fingrar. Det går inte lika smidigt som det gör med bensindrivna kedjesågar.

- Håll svärdsnosen riktad uppåt och dra åt svärdsmuttern.

NOTERA: Om kedjans svikt i mitten av svärdet inte är 1-2 mm, justera kedjespänningen.

FYLLA PÅ OLJEBEHÅLLAREN

- Koppla ifrån strömkontakten från kedjesågen.
- Placera kedjesågen på sidan på en fast och plan yta så att oljebehållarens lock är riktad uppåt. Öppna oljebehållarens lock. Om det sitter alltför hårt använd spårhuvudet på kombinyckeln (medföljer) för att lossa den (bild E)
- Håll försiktigt i olja i oljebehållaren. Fyllt till underkanten på påfyllnadshalsen. Torka bort all överflödiga olja och stäng locket.

NOTERA:

- Kedjesågen är inte fylld med olja vid köpet. Det är väsentligt att fylla tanken med olja före användning. Kedjan smörjs automatiskt med kedjeolja under arbetet.
- Det är specifikt utvecklat för att ge en låg friktion och snabbare kapning.

- Använd aldrig olja eller annat smörjmedel som inte är särskilt avsett för användning på svärdet och kedjan. Detta kan leda till att olja sätter igen system vilket kan göra att svärdet och kedjan slit i förtid.

JUSTERA OLJEFLÖDET (bild F)

- Denna såg är utrustad med en **Justerskruv för oljeflödet (F-1)** placerad på undersidan av verktyget, den används för att justera oljeflödet för smörjning av kedjan, svärdet och sågsystemet. Öka eller minska oljeflödet i pilarnas riktning såsom markerats på höljet.

LED-INDIKATORER PÅ KEDJESÅGEN

Kedjesågen är utrustad med två LED-indikatorer för att indikera oljestatusen och laddningsnivån hos batteripaketet.

LED-indikatorer	Innebörd	Åtgärd
Indikator låg oljenivå (A-8)	Blinkar rött	Oljebrist
	Av	Fyll på olja
Batteriindikator (A-7)	Lyser grönt	Batteripaketet har ström
	Blinkar grönt	Batteripaketet är nästan helt slut och måste laddas omedelbart.

FÄSTA BATTERIHÖLSTRET PÅ KLÄTTERSELEN

Denna kedjesåg levereras med ett batterihölster som används för att bära batteripaketet och kan fästas på klätterselen (medföljer inte).

NOTERA: Sätt fast batterihölstret på klätterselen innan klätterselen bärs.

- Sök efter en lämplig punkt att hänga batterihölstret på klätterselen, häng batterihölstret på klätterselen genom att använda **bälteskroken (G-1)**. (Bild G1)
- Linda bältet runt klätterselen för att fästa batterihölstret på plats (bild G2 och G3).
- Fäst två **ringar (G-2)** från säkerhetsledningen tills klätterselen med två karbinhakar (medföljer inte), såsom visas i bild G4.

G-1	Bälteskrok	G-2	Ringar
-----	------------	-----	--------

NOTERA:

- Vid klättring i trädet, fäst ring 1 och 2 från säkerhetsledningen till klätterselen med karbinhakar (medföljer inte) (bild G5)

- När verktyget används, lossa ring 2 från klätterselen, håll sågen med två händer för att genomföra sågningen (bild G6).

FÄSTA SÅGEN I BATTERIHÖLSTRET

Fäst **sågekroken (H-2)** på säkerhetsledningen i **snörhålet (H-1)**. (Bild H)

H-1	snörhål	H-2	sågekrok
-----	---------	-----	----------

INSTALLERA/TA BORT BATTERIPAKETET

NOTERA: Ladda batteripaketet fullt innan första användning.

Installation (bild I1)

Rikta in listerna på batteripaketet med monteringsöppningarna, låt sedan batteripaketet glida in i batterihölstret tills det snäpper på plats.

Borttagning (bild I2)

Tryck på batteriets lås knapp med tummen för att ta bort batteripaketet.

STARTA/STOPPA KEDJESÅGEN

Starta

- Rikta in "▲" markeringen på **elkontakten (J-2)** mot kedjesågens **elektriska uttag (J-1)**, sätt sedan i kontakten i kedjesågen tills den GRÖNA packningen på kontakten försvinner HELT in i uttaget (bild J1).
- Skjut "PÅ/AV" omkopplaren till positionen "PÅ" (bild J2).
- Dra kedjans rekylbromspaddel mot huvudhandtaget till position .
- Flytta **låstungen (J-3)** framåt och tryck sedan in det **variabla gasreglaget (J-4)**. Ju mer du drar upp det variabla gasreglaget desto högre är sågkedjans rotationshastighet (bild J3).

J-1	Elektriskt uttag	J-3	Låstunga
J-2	Elkontakt	J-4	Variabelt gasreglage

Stoppa

- Släpp upp variabla gasreglaget för att stoppa kedjesågen.

NOTERA: Kedjesågen kommer fortsätta att rotera en kort stund efter att variabla gasreglaget släppts. Undvik kontakt när variabla gasreglaget släppts och när kedjesågen läggs ned.

- Skjut rekylbromspaddeln framåt till bromsposition .

SE

3. Vrid "PÅ/AV" omkopplaren till positionen "OFF"

⚠ VARNING: Dra alltid ur elkontakten från kedjesågen vid arbetsavbrott och efter avslutat arbete.

FÖRBEREDELSE FÖR SÅGNING

Korrekt grepp på handtagen (bild K)

- Använd halkfria handskar för maximalt grepp och skydd.
- Greppa alltid främre handtaget med vänster hand och huvudhandtaget med den högra.
- Fingrarna skall omsluta handtaget med tummen lindad under främre handtaget.

SE

⚠ VARNING: Använd aldrig ett vänsterhandsgrepp (korsade händer) eller någon ställning som placerar kroppen eller armen över kedjelinjen.

⚠ VARNING: Hantera inte avtryckaren med vänster hand medan högra handen håller i främre handtaget. Låt aldrig någon del av kroppen befinna sig i kedjelinjen när kedjesågen används (bild L).

KONTROLLERA KEDJESMÖRJNINGEN (BILD M)

NOTERA: Se till att oljebehållaren på kedjesågen har fyllts med korrekt volym kedjeolja.

1. Håll svärdet ovanför en ljust färgad yta.
2. Slå på sågen. Du kommer att se en klar linje med olja på den ljus färgade ytan efter en minut, om kedjesmörjningen fungerar korrekt.
3. Om kedjeoljan fortfarande inte är synlig på det ljus färgade underlaget, se sektionen "**JUSTERA OLJEFLÖDET**" för att justera det

OPERATING IN THE TREE

⚠ VARNING: When working or climbing, it is recommend to use the additional support, such as foot stirrup, adjustable lanyard to prevent a swing or a cutting accident.

Innan användning, kontrollera följande punkter:

- Kontrollera om det finns slitagemärken på **kedjekransen (N-1)**, om slitagemärkena är djupare än 0,5 mm: kontakta EGO serviceåterförsäljare för att byta kedjekransen.
- Kontrollera också bromssystemen, om slitagemärkena på **bromsbeläggen (N-2)** är ojämna, kontakta EGO serviceåterförsäljare då bromsbeläggen måste bytas. (Bild N).

N-1	Kedjedrev	N-2	Bromsbelägg
-----	-----------	-----	-------------

- Kontrollera svärdet, se sektionen: **UNDERHÅLL AV SVÄRDET**
- Kontrollera sågkedjan, se sektionen: **UNDERHÅLLA KEDJAN**
- Testa kedjebromsen, se sektionen: **REKYL SÄKERHETSENHETER PÅ DENNA**

KEDJESÅG

- Kontrollera kontrollerna, se sektionen: **STARTA/STOPPA KEDJESÅGEN**
- Kontrollera kedjesmörjningen, se sektionen: **KONTROLLERA KEDJESMÖRJNINGEN**

UNDERHÅLL

RENGÖRING

- Efter varje användning, ta bort skräp från kedjan och svärdet med en mjuk borste. Torka av kedjesågens yta med en ren trasa fuktad med en mild tvålösning.
- För djupare rengöring ta bort sidohölet, ta ned svärdet och sågkedjan och använd sedan en mjuk borste för att grundligt ta bort skräp från svärdet, sågkedjan och drivkransen på kedjesågens motorenhet.
- Rensa alltid bort träspån, sågspån och smuts från svärdets spår när sågkedjan byts.

TA BORT DAMM

1. Koppla ifrån elkontakten, låt kedjesågen svalna och dra sedan åt oljelocket.
2. Aktivera sågbromsen
3. Använd kombinyckeln (medföljer) för att lossa skruven till **damborttagningshölet (O-1)** för att öppna det (bild O1).
4. Rensa bort sågdamm och spånen som samlats i kylflänsen med tryckluft, blås från motsatta sidan av **luftintaget (O-2)**. (bild O2).

O-1	Damborttagningshölje	O-2	Luftintag
-----	----------------------	-----	-----------

UNDERHÅLL AV SVÄRDET

När svärdet visar tecken på slitage, ska du demontera det från kedjesågens drivenhet och vända det för återmontering (bild P1), i vilket fall den kommer att fördela slitage för maximal livslängd.

Svärdet skall rengöras (inklusive **kedjeskenorna (P-1)** och **smörjhålet (P-2)**) dagligen efter användning och kontrolleras om där finns slitage eller skador (bild P2). Skäggnig och gradning hos sågsvärdet är en normal process vid svärdsslitage. Sådana fel skall jämnas till med

en fil så snart som de uppstår. Ett svärd med något av följande fel skall bytas ut.

Slitage på insidan av svärdsspåren som låter kedjan glida över åt sidan.

- Böjt sågsvärd.
- Spräckta eller trasiga spår.
- Breddade spår.

Svärdet har en drivenhet i spetsen. Kuggen måste smörjas veckovis med fettspruta för att öka svärdets livslängd (bild P3 och P4). Vrid på **noskransen (P-3)** medan **genomskinligt gul, genomskinligt röd eller genomskinligt fett** pumpas in i **smörjhålet (P-4)** tills hela kransen har nytt fett. Tryck inte in någon smuts i hålet.

P-1	Svärdskenor	P-3	Kedjekrans
P-2	Smörjhål	P-4	Smörjhål

UNDERHÅLLA KEDJAN

Använd endast lågrekylskedjor på denna såg. Den snabba sågkedjan kommer att ge reducerade rekyl när den underhålls korrekt.

En korrekt slipad sågkedja sågar lätt genom trä, även med mycket lite tryck. Använd aldrig en slö eller skadad sågkedja. En slö sågkedjekutter leder till ökad fysisk ansträngning, ökad vibrationsbelastning, osäkert kapningsresultat och ökat slitage.

För smidig och snabb kapning behöver kedjan underhållas korrekt. Kedjan kräver slipning när träspånen är små och puderliknande, kedjan måste forceras genom trät under sågningen eller kedjan kapa åt ena sidan. Under underhåll av kedjan, tänk på följande:

- Felaktig slipvinkel på sidoplattan kan öka risken för allvarlig rekyl.
- Djupmätare. För låg ökar risken för potentiell rekyl. Inte tillräckligt låg minskar sågmöjligheten.
- Om sågtänderna träffat ett hårt föremål, såsom spikar eller stenar eller har skavt mot lera eller sand på trät, lämna kedjan för slipning hos en kvalificerad servicetekniker.

NOTERA: det rekommenderas att låta slipning och underhåll av **sågkedjan** utföras av auktoriserade servicecenter.

TRANSPORT OCH FÖRVARING

- Förvara inte eller transportera kedjesågen när den körs. Ta alltid bort elkontakten innan förvaring och transport.
- Placera alltid svärdsskyddet på svärdet och kedjan innan förvaring eller transport av kedjesågen. Var försiktig för att undvika de vassa tänderna på kedjan.
- Rengör kedjesågen noga innan förvaring. Förvara kedjesågen inomhus på en torr plats som är låst och/eller oåtkomlig för barn.
- Håll den undan från korrosiva medel såsom trädgårdskemikalier och avinsingssalt.

Skydda miljön



WEEE (Waste Electrical and Electronic Equipment) Kasta inte elektrisk utrustning, använt batteri och laddare i hushållssoporna! Ta denna produkt till en auktoriserad återvinnare och gör den tillgänglig för separat insamling. Elektriska verktyg måste returneras till en miljöanpassad återvinningsanläggning.

SE

FELSÖKNING

PROBLEM	ORSAK	LÖSNING
<p>SE</p> <p>Motorn startar inte.</p>	<ul style="list-style-type: none"> ■ Elkontakten till batterihölstret är inte fastsatt på kedjesågen. ■ Ingen elektrisk kontakt mellan batterihölstret och batteriet. ■ Låstungen är inte uppvikt. ■ Omkopplaren "ON-OFF" är i positionen "OFF". ■ Kedjebromsen är aktiverad. 	<ul style="list-style-type: none"> ■ Sätt i elkontakten till batterihölstret i kedjesågen. ■ Lossa batteriet, kontrollera kontakterna och sätt sedan tillbaka batteripaketet. ■ Vik upp låstungen innan start. ■ Vrid "ON/OFF" omkopplaren till positionen "ON" ■ Dra kedjans rekylbromspaddel bakåt mot övre handtaget tills driftläget nås.
<p>Kedjesågen stannar under arbetet.</p>	<ul style="list-style-type: none"> ■ Batteripaketet eller kedjesågen är för het. ■ Kedjesågen är överbelastad. ■ Alltför många träbitar blockerar ventilationskanalen. ■ Batteripaketet är helt tomt. 	<ul style="list-style-type: none"> ■ Låt batteripaketet eller kedjesågen svalna ■ Minska belastningen. ■ Ta bort dammet, se delen "TA BORT DAMM". ■ Ladda batteripaketet
<p>Kedjebromsen aktiveras inte.</p>	<ul style="list-style-type: none"> ■ Skräp förhindrar fullständig rörelse hos kedjans rekylbromshandtag ■ Möjligt funktionsfel hos kedjebromsen 	<ul style="list-style-type: none"> ■ Rensa bort skräp från den externa kedjebromsmekanismen ■ Kontakta EGO kundtjänst för hjälp.
<p>Ingen oljesmörjning under sågningen.</p>	<ul style="list-style-type: none"> ■ Kedjeoljetanken är tom. ■ Oljeutloppet till kedjesvärdet är blockerat. ■ Stelnad olja vid låg temperatur 	<ul style="list-style-type: none"> ■ Fylla på svärd och kedja med smörjmedel. ■ Rensa bort damm i oljeutloppet. ■ Byt till lämplig smörjolja (som är lämplig för låga temperaturer)
<p>Indikatorn för låg oljenivå blinkar rött eller visar onormalt ljus när oljebehållaren är fylld med olja.</p>	<ul style="list-style-type: none"> ■ Vid användning av maskinen i vissa vinklar kan inte oljan i oljebehållaren komma in i oljeröret. ■ Kategorin och färgen på oljan rekommenderas inte. ■ Indikatorn för låg oljenivå blinkar fortfarande rött. 	<ul style="list-style-type: none"> ■ Placera kedjesågen plant och försök igen. ■ Använd rekommenderad genomskinlig gul, genomskinlig röd eller genomskinlig olja ■ Kontakta EGO kundtjänst för reparation
<p>Indikatorn för låg oljenivå fungerar inte när oljetanken har lite olja.</p>	<ul style="list-style-type: none"> ■ Kategorin och färgen på oljan kan inte identifieras. ■ En liten mängd olja finns kvar i oljebehållaren eller oljeröret. ■ Indikatorn för låg oljenivå fungerar fortfarande av ovanstående anledningar. 	<ul style="list-style-type: none"> ■ Använd rekommenderad genomskinlig gul, genomskinlig röd eller genomskinlig olja ■ Använd kedjesågen en stund och observera sedan indikatorn för låg oljenivå igen ■ Kontakta EGO kundtjänst för hjälp.

GARANTI

EGO GARANTIPOLICY

Besök webbsidan egopowerplus.com för fullständiga villkor för EGO garantipolicy.

LUE KAIKKI OHJEET!



LUE KÄYTTÖOPAS

⚠ Jäännösriski! Henkilöiden, joilla on sydämentahdistin tai muu vastaava elektroninen laite, tulisi keskustella lääkärin kanssa ennen tämän tuotteen käyttöä. Sähkölaitteiden käyttö sydämentahdistimen lähettyvillä saattaa häiritä tahdistimen toimintaa tai aiheuttaa vakavan toimintahäiriön.

TURVALLISUUSYMBOLIT

Turvallisuussymbolien tarkoituksena on kiinnittää huomiota mahdollisiin vaaroihin. Turvallisuussymbolit ja niiden selitykset on syytä lukea tarkkaan ja ymmärtää perusteellisesti. Varoitussymbolit eivät yksin poista vaaran mahdollisuutta. Niiden antamat ohjeet ja varoitukset eivät korvaa kunnollisia onnettomuuksien ehkäisytoimenpiteitä.

⚠ VAROITUS: Lue ja ymmärrä tämän käyttöoppaan kaikki turvallisuusohjeet, mukaan lukien kaikki turvallisuusvaroitussymbolit, kuten ”VAARA”, ”VAROITUS” ja ”HUOMIO” ennen laitteen käyttämistä. Alla olevien ohjeiden noudattamatta jättäminen saattaa aiheuttaa sähköiskun, tulipalon ja/tai vakavan henkilövahingon.

FI

SYMBOLIEN MERKITYKSET

Tällä sivulla kuvataan ja esitellään turvallisuussymbolit, jotka saattavat esiintyä tässä tuotteessa. Lue, ymmärrä ja noudata kaikkia laitteen ohjeita ennen kuin yrität koota sen tai käyttää sitä.

TURVALLISUUSYMBOLIT



Turvallisuushälytys



Käytä kestävästä materiaalista valmistettuja paksuja työkalusineitä



Käytä luistamattomia turvajalkineita



Varo takapotkua – terälaipan kärjen koskemista toiseen esineeseen tulee välttää.



Terälaipan kärjen takapotku – kärjen osuminen toiseen esineeseen voi aiheuttaa terälaipan äkillisen ponnahtamisen ylös- ja taaksepäin, mistä voi seurata vakava vahinko



Vanhoja sähkölaitteita ei saa hävittää kotitalousjätteen mukana. Vie laite valtuutettuun kierrätyslaitokseen.

V

Voitti



Tasavirta



Käyttäjän on luettava ja ymmärrettävä käyttöopas ennen tämän laitteen käyttöä loukkaantumista vaaran vähentämiseksi.



Käytä hyvin istuvaa vaatetusta. Älä käytä huiveja, solmioita tai koruja



Käytä hyvin istuvia vaatteita, turvalaseja, korvatulppia tai kuulokkeita tai kypärää, jossa on leukahihnaa.



Kahden käden ote – Käytä aina kahta kättä, kun käytät moottorisahaa.



Terälaipan tiedot.



Älä altista sateelle.




Melu



CE

TEKNISET TIEDOT

Jännite	56 V 	
Suositteltu käyttölämpötila:	-15–40°C	
Suositteltu säilytyslämpötila:	-40–70°C	
Ihanteellinen latauslämpötila	5–40°C	
Leikkuupituus	300 mm	
Ketjun nopeus	20 m/s	
Ketjujako	3/8" (9,5 mm)	
Ketjumittari	1,1 mm	
Teräketjun tyyppi	AC1200 (suositeltu) AC1400 (yhhteensopiva) AC1600 (yhhteensopiva)	
Terälevyn tyyppi	AG1200 (suositeltu) AG1400 (yhhteensopiva) AG1600 (yhhteensopiva)	
Paino (ilman akkua tai sahan suojusta)	3,5 kg	
Mitattu äänitehotaso L_{WA}	98,8 dB (A) K=3 dB (A)	
Äänenpaineen taso käyttäjän kohdalla L_{PA}	88,1 dB (A) K=3 dB (A)	
Taattu äänen tehotaso L_{WA} (mitattu 2000/14/EY mukaisesti)	102 dB (A)	
Tärinä a_h	Etukahva	1,73 m/s ² K= 1,5 m/s
	Pääkahva	2,21 m/s ² K= 1,5 m/s

- Ilmoitettu tärinän kokonaispäästöarvo on mitattu standarditestausten mukaisesti, ja sen avulla voidaan vertailla työkaluja keskenään;
- Ilmoitettua tärinän kokonaispäästöarvoa voidaan käyttää myös altistumisen alustavaan arviointiin.

HUOMAA: Työkalun käytön aikana mitattu todellinen tärinäpäästöarvo voi poiketa ilmoitetusta kokonaispäästöarvosta työkalun käytettävistä johtuen; käyttäjän suojaamiseksi tulee käyttää käsineitä ja kuulosuojaimia varsinaisissa käyttöolosuhteissa.

KUVAUS

TUNNE SAHASI (kuva A1)

1. Teräketju
2. Takapotkun jarrukahva
3. Lukituskieli
4. Pääkahva
5. Portaaton nopeuden liipaisin
6. Pujotusreikä
7. Akun merkkivalo
8. Alhaisen öljytason merkkivalo
9. Etukahva
10. Öljytankin korkki
11. Laippa
12. Voiteluaukko
13. Ketjupyörä
14. Kiristysruuvi
15. PÄÄLLE-POIS-turvakytkin
16. Ohjauspultti
17. Lattamutteri
18. Sivusuojuksen kokoonpano
19. Öljynvirtauksen säätöruuvien suojuus
20. Pölysuojus
21. Poistomekanismi
22. Sähköliitännät
23. Akun vapautuspainike
24. Vyön koukku
25. Solki
26. Hihna
27. Päälystetty sähköjohto
28. Rengas 1
29. Sahan koukku
30. Virtapistoke
31. Rengas 2
32. Teräsuoja
33. Yhdistelmäavain

PAKKAUSLUETTELO (KUVA A1)


KOKOAMINEN

TERÄLEVYN JA KETJUN KOKOAMINEN/PURKAMINEN

VAROITUS: Irrota aina virtapistoke ja käytä suojakäsineitä, ennen kuin asennat tai huollat tuotetta.

VAROITUS: Lue kaikki tämän sähkötyökalun mukana tulleet turvallisuusvaroitukset, ohjeet, piirustukset ja tekniset tiedot. Jos kaikkia alla olevia ohjeita ei noudateta, seurauksena saattaa olla sähköisku, tulipalo ja/ tai vakava loukkaantuminen.

Säilytä kaikki varoitukset ja ohjeet myöhempiä käyttöä varten.

1. Varmista, että takapotkun jarrulevy on asetettu asentoon .
2. Kierrä **laipan mutteria (A-17)** vastapäivään irrottaaksesi **sivusuojuskokoonpanon (A-18)**.
3. Aseta teräketju tasaiselle alustalle ja oikaise kaikki kiertymät. (Kuva B1)
4. Aseta ketjun **vetolenkit (B-1)** terälevyn **uraan (B-2)** ja tee ketjusta silmukka terälevyn takaosaan. (Kuva B-2)
5. Pidä ketjua paikallaan terälevyllä ja aseta silmukka akkupään **ketjupyörän (B-3)** ympärille ja tarkista seuraavat kohdat (kuva B3):
 - a) Ketjun vetolenkit sijaitsevat **ketjupyörän hampaissa (B-3)**.
 - b) **Kiristysruuvi (B-4)** ja **ohjauspultti (B-5)** sijaitsevat terälevyn urassa. **Kiristystappi (B-6)** on kiinnitetty terälevyn reikään.

HUOMAA: Varmista, että teräketjun hampaiden nuolet osoittavat aina eteenpäin (kuva B3).

6. Katso osa "**TERÄKETJUN KIRISTÄMINEN**" varmistaaksesi, että ketju on kunnolla kiinnitetty ja pyörii ongelmitta.
7. Kohdistaa sivusuojuskokoonpanon **ohjaustangot (B-7)** vastaaviin **reikiin (B-8)** sahassa, kiinnitä sitten sivusuojuskokoonpano. (Kuva B4)
8. Kiristä lattamutteri.

B-1	Vetolenkit	B-5	Ohjauspultti
B-2	Ura	B-6	Kiristystappi
B-3	Ketjupyörä	B-7	Ohjaustangot
B-4	Kiristysruuvi	B-8	Reiät

HUOMAA: Jos terälevy täytyy vaihtaa, irrota sivusuojuskokoonpano ja asenna se uuteen terälevyyn, kuten näytetään kuvassa C.

KÄYTTÖ

KÄYTTÄMINEN

- Tämä moottorisaha on suunniteltu erityisesti puiden sahaamiseen ja hoitoon.



Tätä sahaa saavat käyttää vain henkilöt, jotka on koulutettu puiden hoitoon.

HUOMAA: Suosittelemme, että ensimmäistä kertaa käyttävät henkilöt harjoittelevat vähintään pölkkyjen sahaamista sahapukin tai telineen päällä.

TERÄKETJUN KIRISTÄMINEN

VAROITUS: Älä koskaan koske tai säädä ketjua, kun moottori on käynnissä. Teräketju on erittäin terävä; käytä aina käsineitä, kun käsittelet teräketjua.

Teräketju laajenee tai supistuu normaalissa sahakäytössä. Ketjun kireys muuttuu vastaavasti. Tarkista ketjun kireys säännöllisesti käytön aikana ja säädä tarvittaessa.

1. Kytke moottorisaha pois päältä, laita ketjujarru päälle ja irrota virtapistoke.
2. Löysää lattamutteri siten, että terälevy pääsee liikkumaan vapaasti tulevia säätöjä varten.
3. Pidä terälevy ylöspäin ja säädä kiristysruuvia, kunnes seuraavat säädöt ovat oikein:
 - a) Ketjun riippuma laipan keskikohdassa on noin: 1–2 mm (kuva D).
 - b) Vapauta ketjun jarru, varmista, että ketjua voidaan vetää terälevyä pitkin kahdella sormella.

HUOMAA: Suorita tämä vaihe varovasti henkilövahinkojen välttämiseksi. Koska tämä tasavirtamoottori sisältää magneettista materiaalia tunnetun määrän vastusta pyörittäessäsi ketjua kahdella sormella verrattuna tavanomaiseen bensiinimoottorisahaan. Se ei pyöri yhtä sujuvasti kuin bensiinimoottorisahalla.

4. Pidä laipanärkeä ylöspäin ja kiristä laipan mutteri.

HUOMAA: Jos terän riippuma laipan keskikohdassa ei ole 1–2 mm, säädä ketjun kireys uudestaan.

ÖLJYSÄILIÖN TÄYTTÄMINEN

1. Irrota pistoke moottorisahasta.
2. Aseta moottorisaha kyljelleen kiinteälle, tasaiselle pinnalle siten, että öljysäiliön korkki on ylöspäin. Avaa öljysäiliön korkki. Jos öljysäiliön korkki on liian tiukka, käytä (mukana tulevaa) hylsyavainta sen löysäämiseen (kuva E)
3. Kaada öljyä varovasti öljysäiliöön. Täytä täyttökaulan pohjaan saakka. Pyyhi ylimääräiset öljyt pois ja sulje korkki.

HUOMAUTUS:

- Moottorisahassa ei ole ostohetkellä öljyä. On tärkeää täyttää säiliö öljyllä ennen käyttöä. Ketjua voidaan käyttää öljyllä automaattisesti käytön aikana.
- Se on suunniteltu erityisesti vähentämään kitkaa ja nopeuttamaan sahausta.
- Älä käytä öljyä tai voiteluaineita, jotka ei ole suunniteltu käytettäväksi terälevyn ja ketjun kanssa. Tämä voi johtaa tukkeutuneeseen öljyjärjestelmään, mikä voi aiheuttaa terälevyn ja ketjun ennenaikaisen kulumisen.

ÖLJYNVIRTAUKSEN SÄÄTÄMINEN (kuva F)

- Saha on varustettu **öljynvirtauksen säätöruuvilla (F-1)**, joka sijaitsee työkalun pohjassa. Sitä käytetään öljynvirtauksen säätämiseen ketjun, terälevyn ja leikkuujärjestelmän voitelua varten. Lisää tai vähennä öljynvirtausta koteloon merkittyjen nuolten mukaisesti.

MOOTTORISAHAN LED-MERKKIVALO

Moottorisahassa on 2 LED-merkkivaloa, jotka näyttävät öljyn tason ja akun lataustason.

LED-merkkivalo	Merkitys	Toimenpide	
Alhaisen öljytason merkkivalo (A-8)	Vilkkuu punaisena	Liian vähän öljyä	Täytä öljysäiliö
	Ei pala	Öljyä riittävästi	/
Akun merkkivalo (A-7)	Palaa vihreänä	Akussa on virtaa	/
	Vilkkuu vihreänä	Akku on lähes tyhjä ja se on ladattava välittömästi.	Lataa akku.

AKUN KOTELON KIINNITTÄMINEN KIIPEILYVALJAJISIIN

Tämän moottorisahan mukana tulee akun kotelo, jota käytetään akun kantamiseen. Se voidaan kiinnittää kiipeilyvaljaisiin (ei mukana).

HUOMAUTUS: Kiinnitä akun kotelo kunnolla kiinnitysvaljaisiin, ennen kuin puut kiipeilyvaljaat.

- Etsi sopiva kohta akun kotelon ripustamiseksi kiipeilyvaljaisiin. Ripusta akun kotelo kiipeilyvaljaisiin **vyön koukulla (G-1)**. (Kuva G1)
- Kiedo vyö kiipeilyvaljaiden ympärille, jotta akun kotelo kiinnittyy paikalleen (kuvat G2 ja G3).
- Kiinnitä päälylystetyn sähköjohdon kaksi **rengasta (G-2)** kiinnitysvaljaisiin käyttämällä kahta karabiinia (ei mukana), kuten kuvassa G4.

G-1	Vyön koukku	G-2	Renkaat
-----	-------------	-----	---------

HUOMAUTUS:

- Kun kiipeät puuhun, kiinnitä päälylystetyn sähköjohdon renkaat 1 ja 2 kiipeilyvaljaisiin karabiineilla (ei mukana) (kuva G5)
- Kun työkalu on käytössä, irrota rengas 2 kiipeilyvaljaista, pidä sahaa molemmin käsin, kun suoritat työn (kuva G6).

SAHAN KIINNITTÄMINEN AKUN KOTELOON

Kiinnitä päälylystetyn sähköjohdon **sahan koukku (H-2) pujotusreikään (H-1)**. (Kuva H)

H-1	Pujotusreikä	H-2	Sahan Koukku
-----	--------------	-----	--------------

AKUN ASENTAMINEN/POISTAMINEN

HUOMAUTUS: Lataa akku täyteen ennen ensimmäistä käyttöä.

Asentaminen (kuva I1)


Aseta akun ulokkeet kiinnitysaukkoihin ja liu'uta akkua akun koteloon, kunnes se napsahtaa paikalleen.

Poistaminen (kuva I2)

Paina akun vapautuspainiketta peukalolla ja vedä akku ulos.

MOOTTORISAHAN KÄYNNISTÄMINEN/SAMMUTTAMINEN

Käynnistäminen


- Kohdista **virtapistokkeen (J-2)** "▲"-merkit ja moottorisahan **virtaliitännän (J-1)** merkit toisiinsa ja työnnä sitten pistoke moottorisahaan, kunnes VIHREÄ tiiviste häviää TÄYSIN liitäntään (kuva J1).
- Paina "ON/OFF"-kytkin asentoon **"ON"** (kuva J2).
- Vedä takapotkun jarrukahva kohti päakahvaa  -asentoon.
- Siirrä **lukituskieli (J-3)** eteenpäin ja paina sitten portaattoman **nopeuden liipaisinta (J-4)**. Mitä enemmän vedät portaattoman nopeuden liipaisinta, sitä nopeammin teräketju pyörii (kuva J3).

J-1	Virtaliitäntä	J-3	Lukituskieli
J-2	Virtapistoke	J-4	Portaaton nopeuden liipaisin

Pysäyttäminen

- Pysäytä moottorisaha vapauttamalla portaattoman nopeuden liipaisin.

HUOMAUTUS: Teräketju jatkaa pyörimistä vielä hetken portaattoman nopeuden liipaisimen vapauttamisen jälkeen. Vältä kosketusta portaattoman nopeuden liipaisimen vapauttamisen jälkeen, ja kun asetat moottorisahan alas.

- Työnnä takapotkun jarrukahva eteenpäin jarrutusasentoon "  ".
- Paina "ON/OFF"-kytkin asentoon **"OFF"**.

VAROITUS: Irrota virtapistoke moottorisahasta aina, kun pidät työstä taukoa ja kun lopetat sahan käytön.

SAHAUKSEN VALMISTELU

Kunnollinen ote kahvoista (kuva K)

- Käytä liukumisen estäviä käsiineitä, jotta saat parhaan mahdollisen otepitävyyden ja suojan.
- Tartu etukahvaan aina vasemmalla kädellä ja pääkahvaan oikealla kädellä.
- Sormien tulisi kiertyä kahvan ympärille niin, että peukalo on kiertynyt etukahvan alle.

VAROITUS: Älä käytä vasenkätistä (ristikätistä) otetta tai asentoa, joka saattaisi asettaa kätesi tai kehosi teräketjun eteen.

VAROITUS: Älä käytä liipaisukytkintä vasemmalla kädelläsi ja pidä etukahvaa oikealla kädelläsi. Älä päästä mitään osaa kehostasi sahauslinjalle moottorisahalla työskentelyn aikana (kuva L).

KETJUN VOITELUN TARKISTAMINEN (kuva M)

HUOMAUTUS: Varmista, että moottorisahan öljysäiliössä on riittävä määrä ketjuöljyä.

1. Pidä terälevyä vaalean pinnan päällä.
2. Kytke saha päälle. Näet kirkkaan öljyviivan vaalealla pinnalla 1 minuutin kuluttua, jos ketjun voitelu onnistui.
3. Jos ketjuöljyä ei näy vaalealla pinnalla, katso osio **ÖLJYNVIRTAUKSEN SÄÄTÄMINEN** ja säädä virtaus.

MOOTTORISAHAN KÄYTTÄMINEN PUUSSA

VAROITUS: kun työskentelet tai kiipeilet, suosittelemme käyttämään lisätukea, kuten jalkajalustoja, säädettäviä köysiä, estämään heilahtamiset ja sahausonnettomuudet.

Tarkista seuraavat asiat ennen käyttöä:

- Tarkista **ketjupyörän (N-1)** kulumismerkit. Jos kulumismerkit ovat yli 0,5 mm syvät: ota yhteys EGO-jälleenmyyjään ketjupyörän vaihtamiseksi.
- Tarkista myös jarrujärjestelmä. **Jos jarruhinnan (N-2)** kulumismerkit ovat epätasaisia, ota yhteys EGO-jälleenmyyjään jarruhinnan vaihtamiseksi. (Kuva N)

N-1	Ketjupyörä	N-2	Jarruhinna
-----	------------	-----	------------

- Tarkista terälevy, katso vastaava osio: **TERÄLEVYN KUNNOSSAPITO**
- Tarkista teräketju, katso vastaava osio: **KETJUN KUNNOSSAPITO**

- Testaa ketjun jarru, katso vastaava osio: **TAKAPOTKUN TURVALLISUUSLAITTEET**

TÄSSÄ MOOTTORISAHASSA

- Tarkista säätimet, katso vastaava osio: **MOOTTORISAHAN KÄYNNISTÄMINEN/ SAMMUTTAMINEN**
- Tarkista ketjun voitelu, katso vastaava osio: **KETJUN VOITELUN TARKISTAMINEN**

KUNNOSSAPITO

PUHDISTAMINEN

- Puhdista irtoaines ketjusta ja terälevystä jokaisen käyttökerran jälkeen pehmeällä harjalla. Pyyhi moottorisahan pinta puhtaalla, mietoon saippuuliukokseen kostutetulla liinalla.
- Perusteellisempi puhdistaminen tehdään irrottamalla sivusuojuksen kokoonpano, poistamalla terälevy ja teräketju ja poistamalla roskat harjaamalla terälevystä, teräketjusta ja ketjupyörästä moottorisahan akkupäässä.
- Puhdista aina puulastut, sahanpuru ja lika terälevyn urasta, kun vaihdat teräketjun.

SAHANPURUN POISTAMINEN

1. Irrota virtapistoke, anna moottorisahan jäähtyä ja kiristä öljysäiliön korkki.
2. Laita sahan jarru päälle
3. Käytä yhdistelmäavainta (mukana) ja irrota **pölysuojuksen (0-1)** ruuvi ja avaa se (kuva O1).
4. Puhdista sahanpuru ja lastut jäähdytysrivasta käyttämällä paineilmaa, puhalla **ilmanottoaukon (0-2)** vastakkaiselta puolelta. (Kuva O2).

0-1	Pölysuojus	0-2	Ilmanotto
-----	------------	-----	-----------

TERÄLEVYN KUNNOSSAPITO

Kun terälevyssä näkyy kulumisen merkkejä, irrota se moottorisahan akkupäästä, käännä se ja kiinnitä takaisin (kuva P1). Tällä tavalla sen käyttöikä on mahdollisimman pitkä.

Terälevy tulee puhdistaa (mukaan lukien **terälevyn kiskot (P-1)** ja **voiteluaukko (P-2)** jokaisena käyttöpäivänä ja tarkistaa kulumisen ja vaurioiden varalta (kuva P2). Terälevyn kiskojen rispaantuminen tai epätasaisuus on tavallista terälevyn kulumista. Nämä viat voidaan korjata viilalla heti niiden ilmestyessä. Terälevy, jossa on jokin seuraavista vioista, pitää vaihtaa.

Kulumista terälevyn kiskojen sisäpuolella, jonka takia ketju voi olla liikkua sivuttain.

- Vääntynyt terälevy.
- Halkeilleet tai rikkinaiset kiskot.
- Levinneet kiskot.

Terälevyn kärjessä on lisäksi kärkipyörä Kärkipyörä on voideltava viikoittain rasvaruiskulla, jotta terälevyn käyttöikä pitenee (kuva P3 ja P4). Käännä **kärkipyörää (P-3)** samalla pumpaten **läpinäkyvää keltaista, läpinäkyvää punaista tai läpinäkyvää rasvaa voiteluaukkoon (P-4)**, kunnes koko kärkipyörä on voideltu. Älä työnnä likaa aukkoon.

P-1	Terälevyn kiskot	P-3	Kärkipyörä
P-2	Voiteluaukko	P-4	Voiteluaukko

FI

KETJUN KUNNOSSAPITO

Käytä tässä sahaassa vain vähäisen takapotkun ketjuja. Tämä nopeasti sahaava ketju vähentää takapotkua, kun se pidetään kunnossa oikeaoppisesti.

Hyvin teroitettu teräketju sahaa puuta helposti pienelläkin painamisella. Älä koskaan käytä tylsää tai vahingoittunutta teräketjuja. Tylsä teräketju aiheuttaa fyysisen voimankäytön lisääntymistä, tärinän voimistumista, huonompia sahaustuloksia ja lisääntynyttä kulumista.

Jotta sahaaminen olisi helppoa ja nopeaa, ketju tulee pitää kunnossa oikeaoppisesti. Ketju täytyy teroittaa silloin, kun puupalat ovat pieniä ja jauhomaisia, kun ketju on pakotettava puun läpi sahausajan aikana tai kun ketju ohjautuu jompaankumpaan suuntaan. Huomioi ketjun kunnossapidon aikana seuraavat asiat:

- Vääränlainen sivulevyn viilauksulma saattaa lisätä merkittävästi takapotkun riskiä.
- Syvyysmittareiden liikkumisvara. Liian alhainen liikkumisvara lisää takapotkun todennäköisyyttä. Liian korkea liikkumisvara huonontaa sahaustehoa.
- Jos terän hampaat ovat osuneet koviin esineisiin, kuten kiviin tai nauloihin, tai puussa oleva muta tai hiekka on hiertänyt niitä, teroituta ketju asiantuntevalla huoltoteknikolla.

HUOMAUTUS: suosittelemme, että **teräketju** teroitetaan ja huolletaan valtuutetussa huoltoliikkeessä.

KULJETUS JA VARASTOINTI

- Älä varastoi tai kuljeta moottorisahaa, kun se on käynnissä. Irrota aina virtapistoke ennen varastointia tai kuljetusta.
- Laita aina terälevyn suojus terälevyn ja ketjun päälle ennen kuin varastoi tai kuljetat moottorisahaa. Varo ketjun teräviä hampaita.
- Puhdista moottorisaha perusteellisesti ennen varastoimista. Säilytä moottorisahaa sisällä kuivassa paikassa, johon lapset eivät pääse.
- Pidä poissa syövyttävien aineiden, kuten puutarhakemikaalien ja jäänestosuolojen, läheltä.

Ympäristönsuojelu



WEEE (Sähkö- ja elektroniikkalaiteromu)
Älä hävitä sähkölaitteita, akkulaturia tai akkuja/ladattavia paristoja kotitalousjätteen seassa! Vie tämä tuote hyväksytyyn kierrätyspaikkaan tai anna se erilliseen keräilyyn. Sähkötyökälut tulee palauttaa asianmukaiseen ympäristöstävälliseen kierrätyslaitokseen.

VIANMÄÄRITYS

ONGELMA	SYY	RATKAISU
Moottori ei käy	<ul style="list-style-type: none"> ■ Akun kotelon virtapistoketta ei ole liitetty moottorisahaan. ■ Akun kotelon ja akun välillä ei ole sähköliittintää. ■ Lukituskieltä ei ole taivutettu ylös. ■ “ON-OFF” -kytkin on asennossa “OFF”. ■ Ketjujarru on käytössä. 	<ul style="list-style-type: none"> ■ Liitä akun kotelon virtapistoke moottorisahaan. ■ Irrota akku, tarkista kosketuskohdat ja asenna akku uudelleen paikalleen. ■ Taivuta lukituskieli ennen käynnistämistä. ■ Käännä “ON-OFF” -kytkin asentoon “ON”. ■ Vedä ketjun takapotkun jarrukahvaa taaksepäin kohti yläkahvaa takaisin toiminta-asentoon.
Moottorisaha lakkaa toimimasta käytön aikana.	<ul style="list-style-type: none"> ■ Akku tai moottorisaha on ylikuumentunut. ■ Moottorisaha on ylikuormittunut. ■ Liian paljon puukappaleita tuuletuskanavassa. ■ Akku on tyhjä. 	<ul style="list-style-type: none"> ■ Jäähdytä akku tai moottorisaha. ■ Vähennä kuormitusta. ■ Puhdista sahanpuru, katso kohta “SAHANPURUN POISTAMINEN”. ■ Lataa akku
Ketjun jarru ei toimi	<ul style="list-style-type: none"> ■ Irtoaines estää takapotkun jarrukahvan vapaan liikkeen. ■ Mahdollinen ketjun jarrun vikatila 	<ul style="list-style-type: none"> ■ Puhdista lika ulkoisesta ketjun jarrumekanismista. ■ Ota yhteyttä EGO:n asiakaspalveluun korjausta varten.
Ei öljyvoitelua sahausken aikana.	<ul style="list-style-type: none"> ■ Ketjun öljysäiliö on tyhjä. ■ Terälevyn öljyaukko on tukossa. ■ Öljy jähmettynyt alhaisessa lämpötilassa 	<ul style="list-style-type: none"> ■ Täytä terälevyn ja ketjun voiteluaine. ■ Puhdista pöly öljyn poistoaukosta. ■ Vaihda kunnolliseen voiteluöljyyn (alhaiseen lämpötilaan soveltuvaan)
Alhaisen öljytason merkkivalo vilkkuu punaisena tai siinä on epänormaali valo, vaikka öljysäiliö on täynnä öljyä.	<ul style="list-style-type: none"> ■ Koneen erikoinen käyttökulma estää öljyn pääsyn öljysäiliöstä öljyputkeen. ■ Öljyn luokitus ja väri eivät ole suositusten mukaisia. ■ Alhaisen öljytason merkkivalo vilkkuu edelleen punaisena. 	<ul style="list-style-type: none"> ■ Aseta moottorisaha alas ja yritä uudelleen. ■ Käytä suositeltua läpinäkyvää keltaista, läpinäkyvää punaista tai läpinäkyvää öljyä ■ Ota yhteyttä EGO:n asiakaspalveluun korjausta varten
Alhaisen öljyntason merkkivalo ei toimi, jos öljysäiliössä on liian vähän öljyä.	<ul style="list-style-type: none"> ■ Öljyn luokitusta ja väriä ei tunnisteta. ■ Pieni öljymäärä on vielä öljysäiliössä tai öljyputkessa. ■ Alhaisen öljytason merkkivalo ei toimi vielä edellä mainituista syistä. 	<ul style="list-style-type: none"> ■ Käytä suositeltua läpinäkyvää keltaista, läpinäkyvää punaista tai läpinäkyvää öljyä ■ Käytä moottorisahaa jonkin aikaa ja tarkista sitten öljytason merkkivalo uudelleen ■ Ota yhteyttä EGO:n asiakaspalveluun korjausta varten.

FI

TAKUU

EGON TAKUUEHDOT

Verkkosivustolta egopowerplus.com löydät EGO:n takuukäytännön täydelliset ehdot.

LES ALLE INSTRUKSJONER!



LES BRUKERHÅNDBOKEN

⚠ Restrisiko! Personer med elektroniske enheter, for eksempel pacemakere, må rådføre seg med lege før de bruker dette produktet. Drift av elektrisk utstyr i umiddelbar nærhet av en pacemaker kan føre til at pacemakeren forstyrres eller svikter.

SIKKERHETSSYMBOL

Formålet med sikkerhetssymbolene er å rette oppmerksomheten din mot mulige faresituasjoner. Sikkerhetssymbolene og forklaringene krever din fulle oppmerksomhet og forståelse. Symbolvarslene eliminerer ikke farer i seg selv. Instruksjonene og advarslene i dem kan ikke erstatte passende ulykkesforebyggende tiltak.

⚠ ADVARSEL: Sørg for å lese og forstå alle sikkerhetsinstruksjonene i denne brukerhåndboken, inkludert alle sikkerhetsvarslingsymboler som “FARE”, “ADVARSEL,” og “FORSIKTIG” før du bruker dette verktøyet. Hvis du ikke følger alle instruksjonene nedenfor kan det føre til elektrisk støt, brann og/eller alvorlig personskade.

NO

SYMBOLFORKLARINGER

Denne siden viser og beskriver sikkerhetssymboler som kan være på produktet. Les, forstå og følg alle instruksjoner på enheten før du begynner montering og tar den i bruk.

SIKKERHETSSYMBOLER



Sikkerhetsadvarsel



For at risikoen for personskader skal unngås må brukeren lese og forstå bruksanvisningen før produktet tas i bruk.



Bruk tunge arbeidshansker laget av slitesterkt materiale



Bruk tetsittende klær. Ikke bruk skjerf, slips eller smykker



Bruk skisikkert fottøy



Bruk tetsittende vernebriller, ørepropper eller øreklokker og en sikkerhetslue med hakestropp



Vær oppmerksom på tilbakeslag. Kontakt av styrespissen med gjenstander bør unngås



Tohåndsgrep - Bruk alltid to hender når du bruker motorsagen.



Styrestangtips tilbakeslag - Tippkontakt kan føre til at styrestangen beveger seg plutselig oppover og bakover, noe som kan forårsake alvorlig personskade.



Informasjonen fra sverdet.



Elektrisk avfall skal ikke kastes sammen med husholdningsavfall. Innlever ved en godkjent gjenvinningsstasjon.



Må ikke utsettes for regn.

V Volt



Støy

⎓ Likestrøm



CE

SPESIFIKASJONER

Spenning	56 V	
Anbefalt driftstemperatur	-15°C-40°C	
Anbefalt lagringstemperatur	-40°C-70°C	
Optimal ladetemperatur	5°C-40°C	
Klippelengde	300 mm	
Kjedehastighet	20 m/s	
Kjedevinkel	3/8" (9.5 mm)	
Kjedestørrelse	1,1 mm	
Sagkjedetype	AC1200 (Anbefalt) AC1400 (Kompatibel) AC1600 (Kompatibel)	
Styrestangtype	AG1200 (Anbefalt) AG1400 (Kompatibel) AG1600 (Kompatibel)	
Vekt (uten batteripakke, kjedeslire)	3,5 kg	
Målt lydeffektnivå L_{WA}	98,8 dB(A) K=3 dB(A)	
Lydtrykknivå i arbeidsstilling L_{PA}	88,1 dB(A) K=3 dB(A)	
Garantert lydeffektnivå L_{WA} (i henhold til 2000/14 / EC)	102 dB(A)	
Vibrasjon a_h	Fronthåndtak	1,73 m/s ² K= 1,5 m/s
	Hovedhåndtak	2,21 m/s ² K= 1,5 m/s

- Erklært total vibrasjonsverdi er målt i overensstemmelse med en standard testmetode og kan brukes til å sammenligne ett verktøy med et annet;
- Erklært total vibrasjonsverdi kan også brukes i en foreløpig vurdering av eksponering.

MERK: Vibrasjoner under faktisk bruk av elektroverktøyet kan variere fra den opplyste verdien der verktøyet brukes; For å beskytte brukeren skal det alltid benyttes hansker og hørselsvern under faktiske bruksforhold.

BESKRIVELSE

KJENN DIN MOTORSAGEN (Fig. A1)

1. Sagkjede
2. Tilbakeslagsspaken
3. Låsetunge
4. Hovedhåndtak
5. Variabel hastighetsregulator
6. Malje
7. Batteriindikator
8. Indikator for lav olje
9. Fronthåndtak
10. Oljetanklokk
11. Styrestang
12. Smørehull
13. Tannhjul
14. Spenningskrue
15. PÅ-AV sikkerhetsbryter
16. Guidebolt
17. Stangmutter
18. Sidedekselmontering
19. Oljestrømjustering skruedeksel
20. Støvfjerningsdeksel
21. Utkastingsmekanisme
22. Elektriske kontakter
23. Utløserknapp til batteri
24. Beltekrok
25. Spenne
26. Stropp
27. Stropp
28. Ring 1
29. Sagkrok
30. Støpsel
31. Ring 2
32. Kjedeslire
33. Kombinasjonsnøkkel

NO

PAKKELISTE (FIG. A1)


MONTERING

MONTERING / DEMONTERING AV BAR OG KJEDE

⚠ ADVARSEL: Koble alltid fra støpselet, og bruk vernehansker før du monterer eller utfører vedlikehold på produktet.

⚠ ADVARSEL: Les alle sikkerhetsadvarslene, instruksjonene, illustrasjonene og spesifikasjonene som følger med dette elektroverktøyet. Manglende etterlevelse av alle instruksjonene under kan resultere i elektrisk støt, brann og/eller alvorlig skade.

Ta vare på alle advarsler og instruksjoner for fremtidig bruk.

1. Forsikre deg om at tilbakeslagsspaken er satt i  posisjon
2. Skru av **stangmutteren (A-17)** mot urviseren for å ta av **sidedekelet (A-18)**.
3. Legg sagkjedet i en løkke på en flat overflate og rett opp eventuelle knekk. (Fig. B1)
4. Plasser **drivledene (B-1)** inn i **spor (B-2)** på styreskinnen og gjør kjedet til en løkke på baksiden av styreskinnen. (Fig. B2)
5. Hold kjedet på plass på styrestangen og plasser løkken rundt **kjedehjulet (B-3)** på motorhodet, og kontroller følgende ting (fig. B3):
 - a) Sagkjedets drivlenke sitter i tennene på kjedehjulet (B-3).
 - b) **Strammeskruen (B-4)** og **føringsbolten (B-5)** befinner seg i sporet på styreskinnen. **Spennstiften (B-6)** er koblet inn i hullet på svingstangen.

MERK: Forsikre deg om at pilretningen på sagkjedetenene alltid vender fremover (fig. B3).

6. Se avsnittet "**TILSPENNING AV SAGKJEDEN**" for å sikre at kjedet er riktig montert uten binding.
7. Juster to **føringsstenger (B-7)** av sidedeckselsammenstillingen med respektive **hull (B-8)** i sagen, så de passer til sidedeckselenheten. (Fig. B4)
8. Stram stangmutteren.

B-1	Driftslenker	B-5	Guidebolt
B-2	Spor	B-6	Spenningsstift
B-3	Kjedehjul	B-7	Styrestenger
B-4	Spenningskrue	B-8	Hull

MERK: Hvis styrestangen må byttes ut, demonter du sidedekelet og monter det på nytt med den nye styrestangen som vist i figur C.

OPERASJON

APPLIKASJON

- Denne motorsagen er designet spesielt for kirurgi og vedlikehold på treet.



Denne saken skal kun brukes av personer som er spesialutdannet i trevedlikeholdsarbeid.

MERK: Anbefaling om at førstegangsbrukeren som et minimum skal øve seg på å kutte tømmerstokker på en saghest eller vugge.

SPENNING AV SAGKJEDEN

⚠ ADVARSEL: Kjedet skal aldri berøres eller justeres mens motoren er i gang. Sagkjeden er veldig skarp. Bruk alltid vernehansker når du utfører vedlikehold på kjedet.

Sagkjeden utvides eller trekker seg sammen under normal sagdrift. Kjedespenningen endres som et resultat. Sjekk kjedespenningen regelmessig under drift og juster om nødvendig.

1. Slå av motorsagen, slå på kjedebremsen og koble fra støpselet.
2. Løsne stangmutteren, slik at svingstangen kan bevege seg fritt for fremtidig justering.
3. Hold nesene på stangen, og juster spenningsskrueen til følgende punkter gjelder:
 - a) Motorsag i midten av baren er rundt: 1 - 2 mm (Fig. D).
 - b) Koble ut kjedebremsen, sørg for at kjedet kan trekkes langs stangen med to fingre.

MERK: Utfør dette trinnet forsiktig for å unngå personskader da denne likestrømsmotoren inneholder magnetisk materiale sammenlignet med en vanlig bensindrevet motorsag. Når du kjører sagkjedet med to fingre, vil du føle en viss motstand. Det blir ikke så glatt som med en bensinsag.

4. Hold stangen opp og stram mutteren.

MERK: Hvis kjedesakket i midten av stangen ikke er 1-2 mm, må du justere kjedespenningen.

FYLING AV OLJETANK

1. Koble strømpluggen fra motorsagen.
2. Plasser motorsagen på siden på en fast, flat overflate, slik at hetten på oljetanken vender oppover. Åpne oljetankklokken. Hvis den er for stram, kan du bruke spaltehodet på skiffenøkkelen (medfølger) for å løsne den (Fig. E)
3. Hell oljen forsiktig i oljetanken. Fyll til bunnen av påfyllingshalsen. Tørk av overflødig olje og lukk den.

MERK

- Motorsagen er ikke fylt med olje på kjøpstidspunktet. Det er svært viktig å fylle tanken med olje før bruk. Kjedet smøres automatisk med kjedeolje når saken er i gang.
- Den er spesielt beregnet på å gi lav friksjon og raskere kapping.
- Bruk aldri olje eller andre smøremidler som ikke er spesielt designet for bruk på stangen og kjeden. Dette kan føre til et tett oljesystem, som kan føre til for tidlig slitasje på stangen og kjedet.

JUSTERING AV OLJESTRØMMEN (Fig. F)

- Denne sagen er utstyrt med en **justeringskrue for oljeflyt (F-1)**, plassert på bunnen av verktøyet. Den brukes til å justere oljestrømmen for smøring av kjetting, stang og skjæresystem. Øke eller redusere oljestrømmen i pilens retning som markert på huset.

LED-INDIKATOR PÅ MOTORSAGEN

Motorsagen er utstyrt med to LED-indikatorer for å indikere oljestatus og batterinivåens ladningsnivå.

LED-indikator	Betydning	Handling	
Indikator for lav olje (A-8)	Blinker rødt	Oljemangel	Fyll oljetanken
	Av	Har oljen	/
Batteriindikator (A-7)	Lys grønt	Batteripakken har kraften	/
	Blinker grønt	Batteriet er nesten utladet og må lades umiddelbart.	Lade batteriet

FESTE BATTERIHOLSTEREN TIL KLATRESELEN

Denne motorsagen kommer med et batterihylster, den brukes til å bære batteripakken og lar den festes til klatreselen (medfølger ikke).

MERK: Fest batterihylsteret godt på klatreselen før du bruker klatreselen.

- Søk et foretrukket punkt for å henge dette batterihylsteret på klatreselen, heng batterihylsteret på klatreselen ved å bruke **beltekroken (G-1)**. (Fig. G1)
- Pakk beltet rundt klatreselen for å feste batterihylsteret på plass (fig. G2 og G3).
- Fest de to **ringene (G-2)** med sikkerhetsroppen til klatreselen ved å bruke to karabiner (ikke inkludert), som vist i figur G4.

G-1	Beltekrok	G-2	Ringer
-----	-----------	-----	--------

MERK

- Når du klatrer i treet, festes ring 1 og 2 på sikkerhetsroppen til klatreselen ved hjelp av karabiner (ikke inkludert) (fig. G5)
- Når verktøyet er i bruk, løsner du ring 2 fra klatreselen, holder sagen i to hender for å utføre kuttingen (fig. G6).

SIKRING AV SAGEN TIL BATTERIHOLSTERET

Fest **sagkroken (H-2)** til sikkerhetsroppen til **maljen (H-1)**. (Fig. H)

H-1	Malje	H-2	Sagkrok
-----	-------	-----	---------

INSTALLERE / FJERNE BATTERIPAKKEN

MERK: Lad batteripakken helt før den brukes første gang.

Installere (Fig. I1)

Juster ribbene til batteripakken med monteringssporene og deretter skyv batteriet inn i batterihylsteret inntil den smekker på plass.

Fjerning (Fig. I2)

Trykk på batteriutløserknappen med tommelen for å fjerne batteripakken.

START/STOPP AV MOTORSAGEN

For å starte opp

- Juster "▲" merkene på **strømkontakten (J-2)** og motorsagens **elektriske stikkontakt (J-1)**, og sett deretter pluggen i motorsagen inntil den GRØNNE tetningen på pluggen forsvinner HELT i kontakten (fig. J1).
- Skyv "ON / OFF" -bryteren til posisjon "ON" (fig. J2).
- Trekk tilbakeslagsspaken mot hovedhåndtaket til posisjon.
- Flytt **låsetungen (J-3)** fremover og trykk deretter på **den variable hastighetsregulatoren (J-4)**. Jo mer du trekker opp den variable hastighetsregulatoren med variabel hastighet, jo høyere rotasjons hastighet har sagkjeden (fig. J3).

J-1	Stikkontakt	J-3	Låsetunge
J-2	Støpsel	J-4	Variabel hastighetsregulator

For å stanse

- Slipp den variable hastighetsregulatoren for å stoppe motorsagen.

MERK: Sagkjeden vil fortsette å rotere en kort stund etter at den variable hastighetsregulatoren er utløst. Pass på å unngå kontakt etter at du har sluppet den variable hastighetsregulatoren og når du setter ned motorsagen.

- Skyv tilbakeslagsspaken fremover til bremseposisjonen "☹".
- Skyv "ON / OFF" -bryteren til posisjon "OFF".

NO

⚠ ADVARSEL: Koble alltid støpselet fra motorsagen under arbeidspauser og etter endt arbeid.

FORBEREDELSE FOR KUTTING

Riktig grep på håndtakene (Fig. K)

- Bruk sklisikre hansker så du får best mulig grep og beskyttelse.
- Ta alltid tak i det fremre håndtaket med venstre hånd og hovedhåndtaket med høyre hånd.
- Fingrene skal omslutte håndtaket, med tommelen innpakket under det fremre håndtaket.

⚠ ADVARSEL: Bruk aldri et venstrehendt (krysshånds) grep eller noe holdning som vil plassere kroppen eller armen din over kjedelinjen.

⚠ ADVARSEL: Ikke bruk avtrekkeren med venstre hånd og hold det fremre håndtaket med høyre hånd. La aldri noen deler av kroppen din befinne seg i kjedelinjen mens du bruker motorsagen (fig. L).

KONTROLL AV KJEDESMØRING (Fig. M)

MERK: Forsikre deg om at oljetanken til motorsagen er fylt med riktig volum kjedeolje.

1. Hold styrestangen over en lys overflate.
2. Slå på saken. Du vil se en klar linje med olje på den lyse overflaten etter 1 minutt hvis kjedesmøringen fungerer som den skal.
3. Hvis kjedeoljen fremdeles ikke er synlig på den lyse overflaten, se avsnittet **"JUSTERING AV OLJESTRØMMING"** for å justere den

DRIFT I TREET

⚠ ADVARSEL: Når du arbeider eller klatrer, anbefales det å bruke tilleggsstøtten, for eksempel fotstigbøylen, justerbar snor for å forhindre sving eller kutteulykke.

Før du bruker den, må du sjekke følgende punkter:

- Kontroller slitasjen på **kjedehjulet (N-1)**. Hvis slitasjemerkenene er dypere enn 0,5 mm: kontakt EGO-serviceforhandleren for å skifte ut kjedehjulet.
- Sjekk også bremsesystemet. Hvis slitasje på **bremsebelegget (N-2)** er ujevnt, må du kontakte EGO-serviceforhandleren for å bytte ut bremsebelegget. (Fig. N)

N-1	Kjedehjul	N-2	Bremsebelegg
-----	-----------	-----	--------------

- Sjekk linjen, se relaterte avsnitt: **VEDLIKEHOLD AV SVERDET**

- Sjekk sagkjedet, se relaterte avsnitt: **VEDLIKEHOLD AV KJEDE**
- Testing av kjedebremsen, se relaterte avsnitt: **SIKKERHETSANORDNINGER PÅ DENNE**

MOTORSAGEN

- Sjekk kontrollene, se relatert avsnitt: **START/STOPP AV MOTORSAGEN**
- Sjekk kjedesmøringen, se relaterte avsnitt: **KONTROLL AV KJEDESMØRING**

VEDLIKEHOLD

RENGJØRING

- Etter hver bruk fjernes rusk fra kjedet og sverdet med en myk børste. Tørk av motorsagens overflater med en ren klut, fuktet med mildt såpevann.
- For dyp rens, fjern sidedekselenheten, ta ned styrestangen og sagkjeden, og bruk deretter en myk børste for å fjerne rusk fra styrestangen, sagkjeden og drivhjulet på motorsagens krafthode.
- Fjern alltid treflisser, spon og rusk fra fordypningen til sagsverdet når du bytter kjede.

FJERN STØV

1. Koble fra støpselet, la motorsagen avkjøles og stram til oljetanketten.
2. Sett inn sagbremsen
3. Bruk kombinøkkel (følger med) for å løsne skruen på **støvfjerningsdekslet (O-1)** for å åpne den (fig. O1).
4. Rydde opp i spon og flis akkumulert i kjølefinnen ved hjelp av komprimert tørr luft, blåse det fra den motsatte siden av **luftinnløpet (O-2)**. (Fig. O2).

O-1	Støvfjerningsdeksel	O-2	Luftinntak
-----	---------------------	-----	------------

VEDLIKEHOLD AV SVERDET

Når føringsstangen viser tegn på slitasje, demonter du den fra motorsagens motorhode og snur den for montering igjen (fig. P1), den vil da fordele slitasjen for maksimal levetid for stangen.

Stangen bør rengjøres (inkludert **stangskinner (P-1)** og **smørehull (P-2)**) hver dag i bruk og kontrolleres for slitasje og skader (fig. P2). Uttoning eller gradering på sverdskinne er en normal slitasjeprosess på stangen. Slike feil skal jevnes med en fil så snart de oppstår. En stang med noen av følgende feil skal byttes ut.

Slitasje inne i stangskinnene, som gjør at kjedet legger seg over sidelengs.

- Bøyd stang.
- Sprukne eller ødelagte skinner.
- Spre sporene.

Sverdet har et kjedehjul på enden. Tannhullet må smøres ukentlig med en fettsprøyte for å forlenge svingets levetid (fig. P3 og P4). Vri **nesehjulet (P-3)** mens du pumper det **gjennomsiktige gule, gjennomsiktige røde eller gjennomsiktige fette** inn i **smørehullet (P-4)** til hele tannhullet har nytt fett. Ikke skyv smuss inn i hullet.

P-1	Barskinner	P-3	Tannhjul
P-2	Smørehull	P-4	Smørehull

VEDLIKEHOLD AV KJEDE

Bruk kun kastreduserte kjeder på denne sagen. Dette raske sagkjedet vil gi kastreduksjon når det er riktig vedlikeholdt.

Et skikkelig skjerpet sagkjede skjærer gjennom tre uanstrengt, selv med veldig lite trykk. Bruk aldri et sløvt eller skadet sagkjede. Et sløvt sagkjede fører til økt fysisk belastning, økt belastningsvibrasjon, ikke tilfredsstillende klipperesultat og økt slitasje.

For smidig og rask klipping må kjedet vedlikeholdes riktig. Kjedet må skjerpes når flisene er små og pulveraktige, kjedet må tvinges gjennom treverket under saging, eller kjedet drar til den ene siden. Ved vedlikehold av kjedet må du vurdere følgende:

- Uriktig filevinkel på sideplaten kan øke risikoen for en alvorlige tilbakeslag.
- Dybdemålerklaring. For lav øker faren for tilbakeslag. Ikke lavt nok til å senke sageevnen.
- Hvis skjæretennene har truffet på harde gjenstander, for eksempel spiker og steiner, eller har blitt slipt ned av gjørme eller sand på veden, må kjedet skjerpes av en kvalifisert servicetekniker.

MERKNAD: Det anbefales å gjøre sliping og vedlikehold av motorsagen utført av autoriserte servicesentre.

TRANSPORT OG LAGRING

- Ikke oppbevar eller transporter motorsagen når den er i gang. Koble alltid fra støpset før du lagrer eller transporterer.
- Plasser alltid sverdskjeden over sverdet og kjedet før du lagrer eller transporterer motorsagen. Vær nøye med å unngå de skarpe tennene på kjedet.
- Rengjør motorsagen grundig før oppbevaring. Oppbevar motorsagen innendørs, på et tørt sted som er låst, og/eller utilgjengelig for barn.
- Holdes vekk fra etsende midler, for eksempel hagekjemikalier og avisingssalter.

Beskytt miljøet



WEEE (elektrisk og elektronisk avfall) Ikke kast elektrisk utstyr, brukt batteri og lader i husholdningsavfallet! Ta med dette produktet til autorisert gjenvinning, og gjør det tilgjengelig for separat innsamling. Elektriske verktøy må returneres til et egnet resirkuleringsanlegg.

NO

FEILSØKING

PROBLEM	ÅRSAK	LØSNING
Motoren starter ikke.	<ul style="list-style-type: none"> ■ Strømpluggen til batterihylsteret er ikke festet til motorsagen. ■ Ingen elektrisk kontakt mellom batterihylsteret og batteriet. ■ Låsetungen er ikke brettet opp. ■ “ON-OFF” -bryteren er satt til “OFF”. ■ Kjedebremsen er aktivert. 	<ul style="list-style-type: none"> ■ Sett strømpluggen til batterihylsteret i motorsagen. ■ Koble fra batteriet, kontroller kontaktene og sett inn batteripakken på nytt. ■ Brett opp låsetungen før du starter. ■ Vri “ON-OFF” -bryteren til “ON”. ■ Trekk tilbakeslagsspaken mot fremre håndtak i driftsposisjon, slik at du er i driftsposisjonen.
NO Motorsagen slutter å gå under drift.	<ul style="list-style-type: none"> ■ Batteripakken eller motorsagen er for varm. ■ Motorsagen er overbelastet. ■ For mange trebiter blokkerer ventilasjonskanalen. ■ Batteripakken er utladet. 	<ul style="list-style-type: none"> ■ Avkjøl batteripakken eller motorsagen ■ Reduser belastningen. ■ Rengjør støvet, se “REMOVE DUST” -DELEN. ■ Lad opp batteripakken
Kjedebremsen tar ikke tak	<ul style="list-style-type: none"> ■ Rusk hindrer full bevegelse av tilbakeslagshåndtaket på kjeden ■ Mulig feil i kjedebremsen 	<ul style="list-style-type: none"> ■ Rens ut rusk fra den eksterne kjedebremsemekanismen. ■ Kontakt EGOs kundeservice for å få hjelp.
Ingen oljesmøring ved kutting.	<ul style="list-style-type: none"> ■ Kjedeeoljetanken er tom. ■ Oljeutløpet til kjedestangen er blokkert ■ Oljesolidisering ved lav temperatur 	<ul style="list-style-type: none"> ■ Påfylling av sverd- og kjedeolje. ■ Rengjør støvet i oljeutløpet. ■ Bytt riktig smøreolje (passer for lav temperatur)
Indikatoren for lav olje blinker i rød farge eller viser unormalt lys mens oljetanken er fylt med olje.	<ul style="list-style-type: none"> ■ Spesiell bruksvinkel på maskinen som forårsaker at oljen i oljetanken ikke kommer inn i oljerøret. ■ Oljekategori og farge anbefales ikke. ■ Indikatoren for lav olje blinker fortsatt rødt. 	<ul style="list-style-type: none"> ■ Plasser motorsagen flatt og prøv igjen. ■ Bruk den anbefalte gjennomsiktige gule, gjennomsiktige røde eller gjennomsiktige oljen ■ Kontakt EGOs kundeservice for reparasjon
Indikatoren for lav olje fungerer ikke mens oljetanken mangler olje.	<ul style="list-style-type: none"> ■ Oljens kategori og farge kan ikke identifiseres. ■ En liten mengde olje som fortsatt er i oljetanken eller oljerøret ■ Indikatoren for lav olje fungerer fortsatt ikke av ovenstående årsaker. 	<ul style="list-style-type: none"> ■ Bruk den anbefalte gjennomsiktige gule, gjennomsiktige røde eller gjennomsiktige oljen ■ Bruk motorsagen en stund og følg deretter indikatoren for lav olje igjen ■ Kontakt EGOs kundeservice for å få hjelp.

GARANTI

EGOs GARANTIREGLER

Besøk nettsiden egopowerplus.com for å se fullstendige vilkår og betingelser for EGO-garantireglene.

ПРОЧИТАЙТЕ ВСЕ ИНСТРУКЦИИ!



ПРОЧИТАЙТЕ РУКОВОДСТВО ПОЛЬЗОВАТЕЛЯ

⚠ Остаточный риск! Если вы используете такие электронные устройства, как кардиостимулятор, перед эксплуатацией данного устройства проконсультируйтесь с врачом. Использование электрооборудования в непосредственной близости от кардиостимулятора может привести к образованию помех и повреждению кардиостимулятора.

СИМВОЛЫ БЕЗОПАСНОСТИ

Символы безопасности предназначены для привлечения внимания к возможным рискам. Символы безопасности, а также пояснения к ним, требуют особого внимания и понимания. Предупреждения по технике безопасности сами по себе не устраняют опасность. Инструкции и предупреждения не заменяют соответствующие меры по предотвращению несчастных случаев.

⚠ ПРЕДУПРЕЖДЕНИЕ. Перед использованием устройства внимательно прочитайте все инструкции в данном руководстве пользователя и ознакомьтесь с предупреждающими символами безопасности, такими как «ОПАСНОСТЬ», «ПРЕДУПРЕЖДЕНИЕ» и «ВНИМАНИЕ». Несоблюдение всех приведенных ниже инструкций может привести к поражению электрическим током, возникновению пожара и (или) получению серьезных травм.

RU

УСЛОВНЫЕ ОБОЗНАЧЕНИЯ

Далее приведено изображение и описание символов безопасности, которые могут присутствовать на данном устройстве. Перед сборкой или использованием внимательно прочитайте все инструкции, приведенные на устройстве, и соблюдайте их.

СИМВОЛЫ БЕЗОПАСНОСТИ



Предупреждение об опасности



Используйте толстые рабочие перчатки из прочного материала.



Используйте нескользкую защитную обувь.



Остерегайтесь отдачи. Не прикасайтесь кончиком шины к каким-либо предметам.



Отдача кончика шины. При соприкосновении кончика шины с посторонними предметами инструмент может резко дернуться вверх и назад, что может привести к тяжелым травмам.



Неисправные электрические устройства нельзя выбрасывать вместе с бытовым мусором. Сдавайте их в авторизованные пункты сбора и утилизации.

V

Вольт



Постоянный ток



Чтобы уменьшить риск получения травм, перед использованием устройства необходимо прочитать и понять руководство по эксплуатации.



Используйте плотно облегающую одежду. Не надевайте шарфы, галстуки и украшения.



Носите плотно прилегающие защитные очки, беруши или наушники и защитную каску с ремешком на подбородке.



Держите двумя руками. При работе всегда держите цепную пилу двумя руками.



Информация о шине.



Не оставляйте под дождем.




Шум



CE

ТЕХНИЧЕСКИЕ ХАРАКТЕРИСТИКИ

Напряжение	56 В 	
Рекомендуемая рабочая температура	-15...40°C	
Рекомендуемая температура хранения	-40...70°C	
Оптимальная температура зарядки	5...40°C	
Длина резания	300 мм	
Скорость цепи	20 м/с	
Шаг цепи	3/8" (9,5 мм)	
Калибр цепи	1,1 мм	
Тип пильной цепи	AC1200 (рекомендуется) AC1400 (совместимо) AC1600 (совместимо)	
Тип шины	AG1200 (рекомендуется) AG1400 (совместимо) AG1600 (совместимо)	
Масса (без аккумуляторной батареи и чехла для цепи)	3,5 кг	
Измеренный уровень звуковой мощности, L_{WA}	98,8 дБ (А) K=3 дБ (А)	
Уровень звукового давления в рабочем состоянии L_{PA}	88,1 дБ (А) K=3 дБ (А)	
Гарантированный уровень звуковой мощности L_{WA} (в соответствии со стандартом 2000/14/ЕС)	102 дБ(А)	
Вибрация a_h	Передняя рукоятка	1,73 м/с ² K=1,5 м/с
	Основная рукоятка	2,21 м/с ² K=1,5 м/с

- Указанное общее значение вибрации было определено с помощью стандартного теста и может быть использовано для сравнения разных инструментов.
- Указанное общее значение вибрации также может использоваться для предварительной оценки уровня воздействия.

ПРИМЕЧАНИЕ. Реальное вибрационное воздействие электроинструмента может отличаться от указанного в зависимости от способа использования. В целях безопасности оператор должен надевать перчатки и

средства защиты органов слуха во время использования устройства.

ОПИСАНИЕ

ЗНАКОМСТВО С ЦЕПНОЙ ПИЛОЙ (Рис. А1)

1. Пильная цепь
2. Ручка цепного тормоза
3. Запорный язычок
4. Основная рукоятка
5. Курковый регулятор скорости
6. Ушко
7. Индикатор аккумулятора
8. Индикатор низкого уровня масла
9. Передняя рукоятка
10. Крышка резервуара для масла
11. Шина цепи
12. Смазочное отверстие
13. Зубчатое колесо
14. Винт натяжителя
15. Выключатель питания с предохранителем
16. Болт направляющей
17. Гайка шины
18. Боковая крышка в сборе
19. Крышка винта регулировки подачи масла
20. Крышка для защиты от пыли
21. Выталкивающий механизм
22. Электрические контакты
23. Кнопка извлечения аккумулятора
24. Ременная петля
25. Зажим
26. Ремень
27. Кабель
28. Кольцо 1
29. Петля
30. Разъем питания
31. Кольцо 2
32. Чехол цепи
33. Комбинированный ключ

КОМПЛЕКТ ПОСТАВКИ (РИС. А1)


СБОРКА

СБОРКА И РАЗБОРКА ШИНЫ И ЦЕПИ

⚠ ПРЕДУПРЕЖДЕНИЕ. Перед сборкой или обслуживанием устройства всегда отсоединяйте разъем питания и надевайте защитные перчатки.

⚠ ПРЕДУПРЕЖДЕНИЕ. Прочитайте все правила безопасности, инструкции, иллюстрации и спецификации, прилагаемые к этому электроинструменту. Невыполнение изложенных ниже инструкций может привести к поражению электрическим током, пожару и (или) тяжелым травмам.

Сохраните все предупреждения и инструкции для использования в будущем.

1. Убедитесь, что ручка цепного тормоза находится в положении .
2. Открутите гайку шины (A-17) против часовой стрелки, чтобы снять боковую крышку в сборе (A-18).
3. Разложите пильную цепь петлей на плоской поверхности и распрямите все перегибы (Рис. В1).
4. Поместите приводные звенья цепи (В-1) в паз (В-2) шины и оттяните цепь в задней части шины (Рис. В2).
5. Удерживая цепь в одном положении на шине, поместите петлю на зубчатое колесо (В-3) силового блока. Затем проверьте следующее (Рис. В3).
 - а) Приводные звенья цепи расположены на зубцах зубчатого колеса (В-3).
 - б) Винт натяжителя (В-4) и болт направляющей (В-5) расположены в направляющей шины. Штифт натяжения (В-6) входит в отверстие направляющей шины.

ПРИМЕЧАНИЕ. Убедитесь, что стрелки на зубьях пильной цепи направлены вперед (Рис. В3).

6. Убедитесь, что цепь правильно установлена без перегибов. См. раздел «НАТЯЖЕНИЕ ЦЕПИ».
7. Выровняйте два направляющих стержня (В-7) боковой крышки с соответствующими отверстиями (В-8) в корпусе и установите на место боковую крышку (Рис. В4).
8. Затяните гайку шины.

В-1	Приводные звенья	В-5	Болт направляющей
В-2	Паз	В-6	Штифт натяжения
В-3	Зубчатое колесо цепи	В-7	Направляющие стержни
В-4	Винт натяжителя	В-8	Отверстия

ПРИМЕЧАНИЕ. Если шину необходимо заменить, демонтируйте боковую крышку в сборе и установите ее с новой шиной, как показано на Рис. С.

ЭКСПЛУАТАЦИЯ

ПРИМЕНЕНИЕ

- Эта бензопила разработана специально для обрезки и ухода за деревьями.



Этой пилой могут пользоваться только лица, прошедшие специальную подготовку по уходу за деревьями.

ПРИМЕЧАНИЕ. Начинающему пользователю рекомендуется потренироваться пилить бревна на козлах.

НАТЯЖЕНИЕ ПИЛЬНОЙ ЦЕПИ

⚠ ПРЕДУПРЕЖДЕНИЕ. Никогда не прикасайтесь к цепи и не регулируйте ее, когда двигатель работает. Цепь пилы очень острая. При выполнении обслуживания цепи всегда надевайте защитные перчатки.

В процессе нормальной работы пилы пильная цепь может расширяться или сжиматься. В результате изменяется натяжение цепи. Регулярно проверяйте натяжение цепи во время работы и при необходимости регулируйте.

1. Выключите бензопилу, включите тормоз цепи и отсоедините вилку питания.
2. Ослабьте гайку шины, чтобы шина могла свободно двигаться для регулировки.
3. Удерживая шину концом вверх, отрегулируйте винт натяжения таким образом, чтобы выполнялись следующие условия.
 - а) Провисание цепи в центре шины составляет около 1–2 мм (Рис. D).
 - б) Отключите тормоз цепи и убедитесь, что цепь можно протянуть по шине двумя пальцами.

ПРИМЕЧАНИЕ. Выполняйте этот шаг осторожно, чтобы избежать травм. В отличие от обычной бензопилы двигатель постоянного тока содержит магнит, поэтому при протягивании цепи двумя пальцами вы почувствуете определенное сопротивление. Это не так легко, как на обычной бензопиле.

4. Удерживая шину концом вверх, затяните гайку шины.

ПРИМЕЧАНИЕ. Если провисание цепи в центре шины не составляет 1–2 мм, снова отрегулируйте натяжение цепи.

ЗАПОЛНЕНИЕ РЕЗЕРВУАРА ДЛЯ МАСЛА

1. Отсоедините вилку питания от цепной пилы.
2. Положите цепную пилу на бок на твердую плоскую поверхность так, чтобы крышка резервуара для масла была обращена вверх. Откройте крышку резервуара для масла. Если она закручена слишком туго, ослабьте ее с помощью прилагаемого комбинированного ключа (Рис. E).
3. Аккуратно залейте масло в резервуар. Заполните резервуар до нижней части заливной горловины. Вытрите пролитое масло и закройте крышку резервуара.

RU

ПРИМЕЧАНИЕ.

- Пила не заправляется маслом на заводе. Перед использованием инструмента необходимо залить в него масло. Цепь автоматически смазывается маслом во время использования.
- Она специально разработана для обеспечения низкого трения и быстрой резки.
- Никогда не используйте масло и другие смазочные материалы, не предназначенные специально для шин и цепей. В противном случае возможно засорение масляной системы, что может привести к преждевременному износу шины и цепи.

РЕГУЛИРОВКА ПОДАЧИ МАСЛА (Рис. F)

- Данное устройство имеет **винт регулировки подачи масла (F-1)**, расположенный снизу. Этот винт используется для регулировки потока масла для смазки цепи, шины и режущей системы. Направление для увеличения или уменьшения потока масла указано стрелками на корпусе.

RU

СВЕТОДИОДНЫЕ ИНДИКАТОРЫ

Устройство оснащено двумя светодиодными индикаторами, которые отображают состояние системы смазки и уровень заряда аккумулятора.

Светодиодный индикатор		Значение	Действие
Индикатор низкого уровня масла (A-8)	Мигает красным	Низкий уровень масла	Залейте масло в резервуар.
	Не светится	Нормальный уровень масла	/
Индикатор аккумулятора (A-7)	Светится зеленым	Нормальный уровень заряда аккумулятора	/
	Мигает зеленым	Аккумулятор почти разряжен и его необходимо немедленно зарядить	Зарядите аккумулятор.

КРЕПЛЕНИЕ ФУТЛЯРА АККУМУЛЯТОРА К СТРАХОВОЧНОЙ СИСТЕМЕ

Эта бензопила поставляется с футляром для переноски аккумулятора, который можно прикрепить к страховочной системе (не входит в комплект).

ПРИМЕЧАНИЕ. Прежде чем надеть страховочную систему, надежно закрепите на ней футляр аккумулятора.

1. Выберите удобное место для футляра аккумулятора на страховочной системе и

подвесьте футляр с помощью **ременной петли G-1** (Рис. G1).

2. Оберните петлю вокруг ремня страховочной системы, чтобы зафиксировать футляр аккумулятора на месте (Рис. G2 и G3).
3. Прикрепите два **кольца (G-2)** страховочного кабеля к ремню страховочной системы с помощью двух карабинов (не входят в комплект), как показано на Рис. G4.

G-1	Ременная петля	G-2	Кольца
-----	----------------	-----	--------

ПРИМЕЧАНИЕ.

- При подъеме на дерево прикрепите кольца 1 и 2 страховочного кабеля к ремню страховочной системы с помощью двух карабинов (не входят в комплект), как показано на Рис. G5.
- Для использования инструмента отсоедините кольцо 2 от страховочного ремня и держите пилу двумя руками, чтобы выполнить резку (Рис. G6).

КРЕПЛЕНИЕ ИНСТРУМЕНТА К ФУТЛЯРУ АККУМУЛЯТОРА

Прикрепите **крючок H-2** страховочного кабеля к **ушку H-1** (Рис. H)

H-1	Ушко	H-2	Крючок
-----	------	-----	--------

УСТАНОВКА И ИЗВЛЕЧЕНИЕ АККУМУЛЯТОРА

ПРИМЕЧАНИЕ. Перед первым использованием полностью зарядите аккумулятор.

Установка (Рис. I1)


Совместите ребра аккумулятора с монтажными пазами, затем вставьте аккумулятор в футляр до щелчка.

Извлечение (Рис. I2)

Нажмите кнопку фиксации аккумулятора и извлеките аккумулятор.

ЗАПУСК И ОСТАНОВКА ЦЕПНОЙ ПИЛЫ

Запуск


1. Совместите метки ▲ на **вилке J-2** и разъеме **питания J-1**, затем вставьте вилку в разъем таким образом, чтобы **ЗЕЛЕНЫЙ** уплотнитель на вилке **ПОЛНОСТЬЮ** вошел в разъем (Рис. J1).
2. Переведите переключатель в положение **ON** (ВКЛ) (Рис. J2).
3. Переместите ручку цепного тормоза в сторону основной рукоятки в положение .
4. Переместите **запорный язычок J-3** вперед и нажмите на **курковый регулятор скорости J-4**. Чем сильнее нажатие на курок, тем больше скорость вращения цепи (Рис. J3).

J-1	Электрический разъем	J-3	Запорный язычок
J-2	Сетевая вилка	J-4	Курковый переключатель

Остановка

1. Отпустите курок, чтобы остановить цепную пилу.

ПРИМЕЧАНИЕ. Пильная цепь продолжает вращаться в течение короткого времени после отпускания курка. Будьте осторожны, чтобы избежать контакта с цепью после отпускания курка.

2. Сдвиньте ручку цепного тормоза вперед в положение торможения .
3. Переведите переключатель в положение **OFF** (ВЫКЛ).

⚠ ПРЕДУПРЕЖДЕНИЕ. Во время перерывов в работе и после ее окончания всегда отсоединяйте вилку питания от цепной пилы.

ПОДГОТОВКА К ОБРЕЗКЕ

Правильный хват (Рис. К)

- Для обеспечения крепкого захвата и максимальной защиты наденьте нескользящие перчатки.
- Всегда беритесь за переднюю рукоятку левой рукой, а за главную — правой.
- Пальцы должны плотно охватывать рукоятку, причем большой палец должен быть под передней рукояткой.

⚠ ПРЕДУПРЕЖДЕНИЕ. Никогда не держитесь левой рукой за заднюю рукоятку и не работайте в положении, в котором тело или рука пересекают линию цепи.

⚠ ПРЕДУПРЕЖДЕНИЕ. Не нажимайте на курковый выключатель левой рукой и держитесь правой рукой за переднюю рукоятку. Никогда не допускайте, чтобы какая-либо часть вашего тела находилась на линии цепи во время работы бензопилой (Рис. L).

ПРОВЕРКА СМАЗКИ ЦЕПИ (Рис. М)

ПРИМЕЧАНИЕ. Убедитесь, что резервуар для масла заполнен надлежащим количеством масла для цепи.

1. Расположите шину над светлой поверхностью.
2. Включите устройство. При правильной работе цепной смазки через 1 минуту на светлой поверхности будет видна четкая масляная полоса.
3. В противном случае выполните регулировку в соответствии с инструкциями в разделе «РЕГУЛИРОВКА ПОДАЧИ МАСЛА».

РАБОТА НА ДЕРЕВЕ

⚠ ПРЕДУПРЕЖДЕНИЕ. При работе или подъеме рекомендуется использовать дополнительную опору, например стремя для ног или регулируемую петлю, для предотвращения раскачивания или несчастного случая при резке.

Перед использованием проверьте следующее.

- Проверьте **зубчатое колесо N-1** на наличие признаков износа. Если следы износа глубже 0,5 мм, обратитесь к дилеру EGO для замены зубчатого колеса.
- Также проверьте тормозную систему. Если **тормозные накладки N-2** имеют неравномерный износ, обратитесь к дилеру EGO для их замены (Рис. N).

N-1	Зубчатое колесо цепи	N-2	Тормозная накладка
-----	----------------------	-----	--------------------

- Проверьте состояние шины. См. раздел **УХОД ЗА ШИНОЙ.**
- Проверьте цепь. См. раздел **ОБСЛУЖИВАНИЕ ЦЕПИ.**
- Проверьте тормоз цепи. См. раздел **СРЕДСТВА ЗАЩИТЫ ОТ ОТДАЧИ**

ЦЕПНОЙ ПИЛЫ.

- Проверьте органы управления. См. раздел **ЗАПУСК И ОСТАНОВКА ЦЕПНОЙ ПИЛЫ.**
- Проверьте смазку цепи. См. раздел **ПРОВЕРКА СМАЗКИ ЦЕПИ.**

ОБСЛУЖИВАНИЕ

ОЧИСТКА

- После каждого использования очищайте цепь и шину мягкой щеткой. Очищайте поверхность пилы чистой тканью, смоченной в слабом мыльном растворе.
- Для выполнения глубокой очистки снимите боковую крышку в сборе, снимите шину и пильную цепь, а затем с помощью мягкой щетки тщательно удалите загрязнения с шины, цепи и зубчатого колеса на силовом блоке пилы.
- При замене пильной цепи всегда очищайте паз шины цепи от щепок, опилок и загрязнений.

УДАЛЕНИЕ ПЫЛИ

1. Отсоедините вилку питания, дайте цепной пиле остыть и затяните крышку резервуара для масла.
2. Включите тормоз цепи.

- С помощью прилагаемого комбинированного ключа открутите винт **крышки для защиты от пыли O-1**, чтобы открыть ее (Рис. O1).
- Удалите опилки и стружку с помощью сжатого воздуха с противоположной стороны **воздухозаборного отверстия O-2** (Рис. O2).

O-1	Крышка для защиты от пыли	O-2	Воздухозаборное отверстие
-----	---------------------------	-----	---------------------------

УХОД ЗА ШИНОЙ

Если шина имеет признаки износа, демонтируйте ее с силового блока, переверните и установите заново (Рис. P1), чтобы распределить износ для обеспечения максимального срока службы шины.

Шину необходимо каждый день очищать (в том числе **направляющие P-1** и **смазочное отверстие P-2**) и проверять на наличие износа и повреждений (Рис. P2). Появление зазубрин и стружек на шине — нормальное явление, свидетельствующее об ее износе. Такие дефекты необходимо удалять напильником сразу же при их обнаружении. При наличии любого из перечисленных ниже дефектов шину необходимо заменить.

Износ внутренней части шины, из-за которого цепь съезжает набок.

- Изгиб шины.
- Трещины или разрыв направляющих.
- Расширение направляющих.

На конце шины есть зубчатое колесо. Чтобы продлить срок службы шины, раз в неделю колесо необходимо смазывать из масленки (Рис. P3 и P4). Поворачивайте **переднее зубчатое колесо P-3**, закачивая **полупрозрачную желтую, полупрозрачную красную или полупрозрачную консистентную смазку** в **смазочное отверстие P-4**, пока все колесо не будет покрыто новой смазкой. Следите за тем, чтобы в смазочное отверстие не попала грязь.

P-1	Направляющие шины	P-3	Зубчатое колесо
P-2	Смазочное отверстие	P-4	Смазочное отверстие

ОБСЛУЖИВАНИЕ ЦЕПИ

Устанавливайте на инструмент только пильные цепи с низкой отдачей. При правильном уходе цепи для быстрой резки позволяют снизить отдачу.

Правильно заточенные цепи легко распиливают дерево даже при минимальном давлении. Не используйте тупые и поврежденные цепи. Использование тупых цепей приводит к повышенной физической нагрузке на оператора, увеличению уровня вибрации, низкой

эффективности работы и чрезмерному износу инструмента.

Для поддержания скорости и эффективности работы за цепью необходимо ухаживать надлежащим образом. Если опилки получаются очень мелкими и при работе выделяется много пыли, при распилке приходится прилагать слишком много усилий или линия распила получается неровной, цепь необходимо заточить. При уходе за цепью обратите внимание на следующее.

- Неправильный угол заточки режущих зубьев повышает отдачу.
- Зазор ограничительных зубьев. Слишком маленький зазор увеличивает отдачу. Недостаточно маленький зазор снижает эффективность работы инструмента.
- Если зубья цепи подвергались ударам о твердые предметы, например гвозди или камни, или износу из-за грязи или песка на заготовке, необходимо обратиться к квалифицированному специалисту для заточки цепи.

ПРИМЕЧАНИЕ. Заточку и обслуживание **пильной цепи** рекомендуется выполнять в авторизованных сервисных центрах.

ТРАНСПОРТИРОВКА И ХРАНЕНИЕ

- Не уберите на хранение и не переносите инструмент, когда он работает. Перед хранением и транспортировкой всегда отсоединяйте вилку питания.
- Перед транспортировкой или хранением инструмента всегда надевайте на цепь чехол. Будьте осторожны с острыми зубьями цепи.
- Прежде чем убрать пилу на хранение, тщательно очистите ее. Храните пилу в надежном сухом помещении, недоступном для детей.
- Храните вдали от источников коррозии, таких как садовые удобрения и техническая соль.

Защита окружающей среды



Утилизация отходов электрического и электронного оборудования (WEEE). Не выбрасывайте электроприборы, зарядные устройства и аккумуляторные батареи вместе с бытовыми отходами! Отправьте данное изделие на переработку в специализированное предприятие или сдайте его для раздельного сбора. Электронные инструменты должны быть возвращены на перерабатывающее предприятие, не наносящее ущерба окружающей среде.

УСТРАНЕНИЕ НЕПОЛАДOK

ПРОБЛЕМА	ПРИЧИНА	РЕШЕНИЕ
Двигатель не запускается.	<ul style="list-style-type: none"> ■ Вилка питания футляра аккумулятора не подсоединена к бензопиле. ■ Нет электрического контакта между футляром и аккумулятором. ■ Запорный язычок не находится в правильном положении. ■ Переключатель находится в положении OFF (ВЫКЛ). ■ Сработал цепной тормоз. 	<ul style="list-style-type: none"> ■ Вставьте вилку питания футляра аккумулятора в бензопилу. ■ Извлеките аккумулятор, проверьте контакты и установите его снова. ■ Сложите запорный язычок перед запуском. ■ Переведите переключатель в положение ON (ВКЛ). ■ Переведите ручку цепного тормоза в рабочее положение, потянув ее в сторону верхней рукоятки.
Цепная пила останавливается во время работы.	<ul style="list-style-type: none"> ■ Перегрев аккумуляторной батареи или пилы. ■ Пила перегружена. ■ Вентиляционный канал заблокирован стружкой и опилками. ■ Аккумулятор разряжен. 	<ul style="list-style-type: none"> ■ Остудите аккумулятор или пилу. ■ Уменьшите нагрузку. ■ Удалите пыль в соответствии с инструкциями в разделе УДАЛЕНИЕ ПЫЛИ. ■ Зарядите аккумулятор.
Не срабатывает цепной тормоз.	<ul style="list-style-type: none"> ■ Ручка цепного тормоза не может свободно двигаться из-за мусора. ■ Тормозная система неисправна. 	<ul style="list-style-type: none"> ■ Очистите мусор снаружи механизма цепного тормоза. ■ Обратитесь в службу поддержки клиентов EGO для ремонта.
Отсутствие смазки цепи во время работы.	<ul style="list-style-type: none"> ■ Резервуар для масла пуст. ■ Масловыпускное отверстие шины заблокировано. ■ Масло застыло из-за низкой температуры. 	<ul style="list-style-type: none"> ■ Заправьте инструмент маслом. ■ Удалите пыль из масловыпускного отверстия. ■ Используйте масло, подходящее для низких температур.
Индикатор низкого уровня масла мигает красным, несмотря на то что резервуар заполнен маслом.	<ul style="list-style-type: none"> ■ Устройство используется под таким углом, что масло не попадает из резервуара в маслопровод. ■ Используется нерекондуемое масло. ■ Индикатор низкого уровня масла все еще мигает красным. 	<ul style="list-style-type: none"> ■ Расположите инструмент горизонтально и повторите попытку. ■ Используйте рекомендованное полупрозрачное желтое, полупрозрачное красное или полупрозрачное масло. ■ Обратитесь в службу поддержки клиентов EGO для ремонта.
Индикатор низкого уровня масла не реагирует на недостаток масла в резервуаре.	<ul style="list-style-type: none"> ■ Не удается определить тип используемого масла. ■ Небольшое количество масла все еще в резервуаре или маслопроводе. ■ Индикатор низкого уровня масла по-прежнему не работает по вышеуказанным причинам. 	<ul style="list-style-type: none"> ■ Используйте рекомендованное полупрозрачное желтое, полупрозрачное красное или полупрозрачное масло. ■ Некоторое время используйте бензопилу, а затем снова проверьте состояние индикатора низкого уровня масла. ■ Обратитесь в службу поддержки клиентов EGO для ремонта.

RU

ГАРАНТИЯ

ГАРАНТИЙНАЯ ПОЛИТИКА EGO

Посетите веб-сайт egopowerplus.com чтобы ознакомиться со всеми условиями и сроками гарантийной политики EGO.

PRZECZYTAJ WSZYSTKIE INSTRUKCJE!



PRZECZYTAJ INSTRUKCJĘ OBSŁUGI

⚠ Rzyko resztkowe! Osoby z urządzeniami elektronicznymi, takimi jak rozruszniki serca, powinny przed użyciem produktu skonsultować się ze swoim(i) lekarzem/-ami. Używanie urządzeń elektrycznych blisko rozrusznika serca może spowodować zakłócenia lub uszkodzić rozrusznik.

SYMBOL BEZPIECZEŃSTWA

Celem symboli bezpieczeństwa jest zwrócenie uwagi użytkownika na możliwe zagrożenia. Symbole bezpieczeństwa i objaśnienia do nich zasługują na to, aby je uważnie przestudiować i zrozumieć. Symbole bezpieczeństwa nie eliminują same z siebie jakichkolwiek zagrożeń. Podawane w nich instrukcje i ostrzeżenia nie zastępują odpowiednich środków zapobiegania wypadkom.

⚠ OSTRZEŻENIE: Przed użyciem narzędzia należy koniecznie przeczytać ze zrozumieniem wszystkie instrukcje dotyczące bezpieczeństwa podane w podręczniku użytkownika, łącznie z wszystkimi symbolami ostrzegawczymi takimi jak „NIEBEZPIECZEŃSTWO”, „OSTRZEŻENIE” i „OSTROŻNIE”. Niestosowanie się do wszystkich podanych niżej instrukcji może doprowadzić do porażenia prądem, pożaru i/lub poważnych urazów ciała.

PL

ZNACZENIE SYMBOLI

Na tej stronie pokazano i opisano symbole bezpieczeństwa, które mogą występować na produkcie. Przed podjęciem próby złożenia i użycia urządzenia należy przeczytać i zrozumieć wszystkie instrukcje dotyczące narzędzia oraz zastosować się do nich.

SAFETY SYMBOLS



Ostrzeżenie dotyczące bezpieczeństwa



Noś solidne rękawice robocze wykonane z wytrzymałego materiału



Noś obuwie ochronne z podeszwami antypoślizgowymi



Uwaga na możliwość odbicia - Unikaj dotykania czegokolwiek czubkiem prowadnicy



Odbicie czubka prowadnicy - Dotknięcia czubka prowadnicy może doprowadzić do gwałtownego przemieszczenia się prowadnicy w górę i do tyłu, co może doprowadzić do poważnych obrażeń.



Zużytych wyrobów elektrycznych nie należy wyrzucać razem ze zwykłymi odpadami domowymi. Należy je oddać do autoryzowanego punktu recyklingu.

V Wolt

Prąd stały



Aby zmniejszyć ryzyko urazów, przed rozpoczęciem używania urządzenia, użytkownik musi przeczytać i zrozumieć instrukcję.



Noś przylegającą do ciała odzież. Nie noś chust, szalików, krawatów ani biżuterii



Noś ściśle przylegające okulary ochronne, ochronniki słuchu lub nauszniki ochronne oraz kask ochronny z paskiem na podbródek



Trzymanie oburącz - Podczas używania pilarki zawsze używaj obu rąk.



Informacje o prowadnicy.



Chronić przed deszczem.



Hałas



CE

SPECYFIKACJA

Napięcie	56 V	
Zalecana temperatura użytkowania:	-15°C-40°C	
Zalecana temperatura przechowywania:	-40°C-70°C	
Optymalna temperatura ładowania	5°C-40°C	
Długość cięcia	300 mm	
Prędkość łańcucha	20 m/s	
Podziałka łańcucha	3/8" (9,5 mm)	
Grubość łańcucha	1,1 mm	
Rodzaj łańcucha tnącego	AC1200 (zalecana) AC1400 (kompatybilna) AC1600 (kompatybilna)	
Rodzaj prowadnicy	AG1200 (zalecana) AG1400 (kompatybilna) AG1600 (kompatybilna)	
Ciężar (bez akumulatora i osłony łańcucha)	3,5 kg	
Zmierzony poziom mocy akustycznej L_{WA}	98,8 dB(A) K=3 dB(A)	
Poziom ciśnienia akustycznego w pozycji pracy L_{PA}	88,1 dB(A) K=3 dB(A)	
Gwarantowany poziom mocy akustycznej L_{WA} (zgodnie z dyrektywą 2000/14/WE)	102 dB(A)	
Drgania a_h	Uchwyt przedni	1,73 m/s ² K= 1,5 m/s
	Uchwyt główny	2,21 m/s ² K= 1,5 m/s

- Deklarowana całkowita wartość drgań została zmierzona zgodnie ze standardowymi metodami testowania i może służyć do porównywania różnych narzędzi.
- Deklarowana całkowita wartość drgań może również służyć do wstępnej oceny narażenia na drgania.

UWAGA: Emisja dźwięku podczas rzeczywistego stosowania elektronarzędzia może różnić się od deklarowanej wartości, w której narzędzie jest używane. Aby się zabezpieczyć, w rzeczywistych warunkach użytkowania użytkownik powinien nosić rękawice i nauszki ochronne.

OPIS

ZAPOZNANIE SIĘ Z PILARKĄ (Rys. A1)

1. Łańcuch tnący
2. Dźwignia hamulca łańcucha
3. Dźwignia odblokowująca
4. Uchwyt główny
5. Włącznik spustowy z regulacją prędkości
6. Otwór
7. Kontrolka akumulatora
8. Kontrolka niskiego poziomu oleju
9. Uchwyt przedni
10. Zakrętka zbiornika oleju
11. Prowadnica
12. Otwór do smarowania
13. Zębatka
14. Śruba napinająca
15. Przełącznik zabezpieczający WŁ.-WYŁ.
16. Śruba prowadnicy
17. Nakrętka prowadnicy
18. Zespół osłony prowadnicy
19. Osłona śruby regulacji przepływu oleju
20. Osłona do usuwania pyłu
21. Mechanizm odłączania
22. Styki elektryczne
23. Przycisk odblokowujący akumulator
24. Zaczep na pasek
25. Klamra
26. Pasek
27. Pasek z przewodem
28. Pierścień 1
29. Zaczep piły
30. Wtyczka zasilania
31. Pierścień 2
32. Osłona łańcucha
33. Klucz wielofunkcyjny

PL

LISTA ELEMENTÓW W OPAKOWANIU (RYS. A1)

MONTAŻ


ZAKŁADANIE/ZDEJMOWANIE PROWADNICY I ŁAŃCUCHA

⚠️ OSTRZEŻENIE: Przed rozpoczęciem montażu lub prac konserwacyjnych przy urządzeniu należy zawsze najpierw wyjąć wtyczkę zasilania i założyć rękawice ochronne.

⚠️ OSTRZEŻENIE: Prosimy przeczytać wszystkie ostrzeżenia i instrukcje oraz przestudiować specyfikację i ilustracje dostarczone wraz z elektronarzędziem.

Niestosowanie się do wszystkich podanych niżej instrukcji może doprowadzić do porażenia prądem, pożaru i/lub poważnych obrażeń.

Prosimy zachować na przyszłość wszystkie ostrzeżenia i instrukcje.

1. Upewnić się, że dźwignia hamulca łańcucha jest ustawiona w pozycji .
2. Odkręcić nakrętkę prowadnicy (A-17) w lewo (przeciwnie do kierunku ruchu wskazówek zegara), aby zdjąć zespół osłony prowadnicy (A-18).
3. Położyć łańcuch pilarki w postaci pętli na płaskiej powierzchni i wyprostować wszelkie splątane miejsca. (Rys. B1)
4. Włożyć ogniwa przesuwające (B-1) w rowek (B-2) na prowadnicy w taki sposób, aby z tyłu prowadnicy łańcuch utworzył pętlę. (Rys. B2)
5. Przytrzymać łańcuch w odpowiedniej pozycji na prowadnicy i nałożyć pętlę na zębatkę łańcucha (B-3) głowicy napędowej. Sprawdzić następujące elementy (Rys. B3):
 - a) Ogniwa przesuwające łańcuch są osadzone na zębach zębatego łańcucha (B-3).
 - b) Śruba napinająca (B-4) i śruba prowadnicy (B-5) wchodzi w otwór w prowadnicy. Bolec napinający (B-6) jest włożony w otwór w prowadnicy.

UWAGA: Strzałki na zębach łańcucha tnącego muszą być zawsze skierowane do przodu (Rys. B3).

6. W celu prawidłowego założenia łańcucha tak, aby się nie klinował należy zapoznać się z częścią „NAPINANIE ŁAŃCUCHA PIŁY”.
7. Dopasować dwa pręty naprowadzające (B-7) zespołu osłony prowadnicy do otworów (B-8) w pilarce, a następnie nałożyć zespół osłony prowadnicy. (Rys. B4)
8. Dokręcić nakrętkę prowadnicy.

B-1	Ogniwa przesuwające łańcuch	B-5	Śruba prowadnicy
B-2	Rowek	B-6	Bolec napinający
B-3	Zębatka łańcucha	B-7	Pręty naprowadzające
B-4	Śruba napinająca	B-8	Otwory

UWAGA: Jeśli prowadnica wymaga wymiany, należy zdjąć zespół osłony prowadnicy i założyć go z powrotem z nową prowadnicą, tak jak pokazano na Rys. C.

UŻYTKOWANIE

ZASTOSOWANIE

- Ta pilarka została zaprojektowana specjalnie do pielęgnacji i przycinania drzew.



Pilarki powinny używać wyłącznie osoby specjalnie przeszkolone w zakresie pielęgnacji drzew.

UWAGA: Zaleca się, aby jako minimum nowy użytkownik najpierw nabrał choć trochę praktyki w pilowaniu bali na koźle lub stojaku.

NAPINANIE ŁAŃCUCHA PIŁY

▲ OSTRZEŻENIE: Nigdy nie należy dotykać ani regulować łańcucha przy włączonym silniku. Łańcuch piły jest bardzo ostry, w czasie prac konserwacyjnych przy łańcuchu należy zawsze nosić rękawice ochronne.

W czasie zwykłego użytkowania piły jej łańcuch rozszerza się i kurczy. W efekcie zmienia się napięcie łańcucha. W czasie pracy należy regularnie kontrolować i w razie potrzeby regulować napięcie łańcucha.

1. Wylądować pilarkę, zaciągnąć hamulec łańcucha i odłączyć wtyczkę zasilania.
2. Poluzować nakrętkę prowadnicy, tak aby prowadnica mogła się swobodnie poruszać na potrzeby przyszłej regulacji.
3. Ustawić prowadnicę czubkiem do góry i wyregulować śrubę napinającą, aż spełnione zostaną następujące warunki:
 - a) Luz łańcucha na środku prowadnicy musi wynosić około: 1 - 2 mm (Rys. D).
 - b) Zwolnić hamulec łańcucha, dopilnować, aby łańcuch można było przesuwac po prowadnicy dwoma palcami.

UWAGA: Aby uniknąć urazów, krok ten należy wykonać ostrożnie. Ponieważ silnik staloprowadowy zawiera elementy namagnesowane, które nie występują w pilarkach z konwencjonalnym silnikiem spalinowym, podczas przesuwania łańcucha tnącego dwoma palcami powinno dać się wyczuć pewien opór. Łańcuch przesuwa się równie lekko jak w pilarkach spalinowych.

4. Przytrzymać uniesiony czubek u góry i dokręcić nakrętkę prowadnicy.

UWAGA: Jeśli luz łańcucha na środku prowadnicy nie wynosi 1 - 2 mm, należy wyregulować napięcie łańcucha.

NALEWANIE OLEJU DO ZBIORNIKA

1. Odłączyć od pilarki wtyczkę zasilania.
2. Położyć pilarkę na boku na twardej, płaskiej powierzchni w taki sposób, aby korek zbiornika oleju był skierowany do góry. Odkręcić korek zbiornika oleju. Jeśli jest zbyt mocno zakręcony, do poluzowania go użyć głowicy szczelinowej klucza wielofunkcyjnego (w zestawie) (Rys. E)

- Ostrożnie nalać oleju do zbiornika oleju. Napełnić zbiornik aż po dolną krawędź szyjki wlewu. Wytrzeć ewentualne plamy rozlanego oleju i zakręcić korek.

UWAGA

- W momencie zakupu w pilarcze nie ma oleju. Bardzo ważne jest, aby przed użyciem wlać olej do zbiornika na olej. W czasie pracy łańcuch jest automatycznie smarowany olejem do łańcucha.
- Jest ona specjalnie zaprojektowana, aby zmniejszać tarcie i przyspieszać piłowanie.
- Nigdy nie należy używać oleju lub innych smarów, które nie są specjalnie zaprojektowane do smarowania przewodnicy i łańcucha. Mogłoby to skutkować zatknięciem się układu olejowego, co mogłoby doprowadzić do przedwczesnego zużycia przewodnicy i łańcucha.

REGULACJA PRZEPŁYWU OLEJU (Rys. F)

- Pilarka posiada **śrubę regulacji przepływu oleju (F-1)**, która znajduje się u dołu narzędzia; śruba ta służy do regulacji przepływu oleju smarującego łańcuch, przewodnicę i układ piłowania. Przepływ oleju zwiększa się lub zmniejsza zgodnie z kierunkiem zaznaczonym strzałkami na obudowie.

KONTROLKA LED NA PILARCE

Pilarka jest wyposażona w 2 kontrolki LED, która pokazują poziom oleju i stan naładowania akumulatora/ów.

Kontrolka LED	Znaczenie	Działanie	
Kontrolka niskiego poziomu oleju (A-8)	Miga na czerwono	Za mało oleju	Uzupelnić olej w zbiorniku oleju
	Nie świeci	Poprawny poziom oleju	/
Kontrolka akumulatora (A-7)	Świeci na zielono	Akumulator jest naładowany	/
	Miga na zielono	Akumulator jest niemal całkowicie rozładowany i wymaga natychmiastowego naładowania.	Naładować akumulator

MOCOWANIE UCHWYTU NA AKUMULATOR DO UPRZĘŻY WSPINACZKOWEJ

Pilarka jest wyposażona w uchwyt na akumulator, który służy do noszenia akumulatora i który można zamocować do upręży wspinaczkowej (do dokupienia osobno).

UWAGA: Uchwyt na akumulator należy pewnie zamocować do upręży wspinaczkowej jeszcze przed jej założeniem.

- Należy wybrać optymalne miejsce do zawieszenia uchwytu na akumulator na upręży wspinaczkowej i zawiesić uchwyt na upręży za pomocą **zaczepu na pasek (G-1)**. (Rys. G1)
- Owinąć pasek wokół upręży, aby zamocować uchwyt na akumulator (Rys. G2 i G3).
- Zamocować karabinkami (do dokupienia osobno) dwa **pierścienie (G-2)** paska zabezpieczającego do upręży, tak jak na Rys. G4.

G-1	Zaczep na pasek	G-2	Pierścienie
-----	-----------------	-----	-------------

UWAGA:

- Podczas wspinania się na drzewo należy karabinkami (do dokupienia osobno) zamocować do upręży pierścienie 1 i 2 paska zabezpieczającego (Rys. G5).
- Gdy narzędzie będzie używane, należy odciąć pierścien 2 od upręży i chwycić pilarkę oburącz, aby wykonać cięcie (Rys. G6).

MOCOWANIE PIŁY DO UCHWYTU NA AKUMULATOR

Należy zamocować **zaczep piły (H-2)** paska zabezpieczającego do **otworu (H-1)**. (Rys. H)

H-1	Otwór	H-2	Zaczep Piły
-----	-------	-----	-------------

ZAKŁADANIE/WYJMOWANIE AKUMULATORA

UWAGA: Przed pierwszym użyciem należy całkowicie naładować akumulator.

Zakładanie (Rys. I1)

Należy dopasować zebra akumulatora do szczelin mocujących, po czym wsunąć akumulator w uchwyt na akumulator, aż zaskoczy w odpowiedniej pozycji.

Wyjmowanie (Rys. I2)

Należy nacisnąć kciukiem przycisk odblokowujący akumulator i wysunąć akumulator.

WŁĄCZANIE/WYŁĄCZANIE PILARKI

Włączanie

- Dopasować oznaczenia „▲” na **wtyczce zasilania (J-2)** do **gniazda elektrycznego (J-1)** pilarki, następnie włożyć wtyczkę w pilarkę, aż zielona uszczelka na wtyczce CAŁKOWICIE zniknie w gnieździe (Rys. J1).
- Przetawić przełącznik „WŁ./WYŁ.” w pozycję „WŁ.” (Rys. J2).
- Pociągnąć dźwignię hamulca łańcucha w kierunku uchwytu głównego, w pozycję


- Przestawić **dźwignię odblokowującą (J-3)** do przodu i nacisnąć **przełącznik spustowy z regulacją prędkości (J-4)**. Im bardziej włącznik spustowy zostanie pociągnięty do góry, tym wyższa będzie prędkość obrotowa łańcucha pilarki (Rys. J3).

J-1	Gniazdko elektryczne	J-3	Dźwignia odblokowująca
J-2	Wtyczka zasilania	J-4	Przełącznik spustowy z regulacją prędkości

Wyłączenie

- Aby zatrzymać pilarkę, wystarczy puścić włącznik spustowy.

UWAGA: Po puszczeniu włącznika spustowego łańcuch pilarki będzie się nadal przez chwilę kręcił. Należy uważać, aby go nie dotknąć po puszczeniu włącznika spustowego oraz przy odkładaniu pilarki.

- Popchnąć dźwignię hamulca łańcucha do przodu w pozycję hamulca „”.
- Przestawić przełącznik „WŁ./WYŁ.” w pozycję „WYŁ.”

⚠ OSTRZEŻENIE: W czasie przerw w pracy i po zakończeniu pracy należy zawsze odłączyć wtyczkę zasilania od pilarki.

PRZYGOTOWANIE DO PIŁOWANIA

Prawidłowe trzymanie uchwytów (Rys. K)

- Aby zapewnić optymalne trzymanie i maksymalną ochronę, należy zakładać rękawice antypoślizgowe.
- Należy zawsze chwytać przedni uchwyt lewą ręką, a główny uchwyt prawą.
- Palce powinny obejmować uchwyt, a kciuk należy umieścić pod przednim uchwytem.

⚠ OSTRZEŻENIE: Nigdy nie należy chwytać odwrotnie (na krzyż) lub ustawiać się w pozycji, w której ciało lub ramię znajdowałoby się na linii łańcucha.

⚠ OSTRZEŻENIE: Nie należy obsługiwać włącznika spustowego lewą ręką i trzymać uchwytu przedniego prawą. Nigdy nie należy pozwalać, aby w czasie używania pilarki jakkolwiek część ciała znajdowała się na linii poruszania się łańcucha (Rys. L).

SPRAWDZANIE SMAROWANIA ŁAŃCUCHA (Rys. M)

UWAGA: Dopilnować, aby do zbiornika na olej w pilarkę nalana została odpowiednia ilość oleju do smarowania łańcuchów.

- Przytrzymać prowadnicę nad jasną powierzchnią.
- Włączyć pilarkę. Jeśli smarowanie łańcucha działa prawidłowo, po 1 minucie na jasnej powierzchni będzie można zaobserwować wyraźną linię oleju.
- Jeśli olej smarujący łańcuch nie jest na jasnej powierzchni widoczny, należy zapoznać się z częścią „REGULACJA PRZEPŁYWU OLEJU” i przeprowadzić regulację.

UŻYWANIE NA DRZEWIE

⚠ OSTRZEŻENIE: W czasie pracy lub wspinania się, aby nie dopuścić do wahnięcia się narzędzia lub wypadku przy piłowaniu, zaleca się używać dodatkowego podparcia, takiego jak np. strzemień na stopę lub regulowany sznurek.

Przed użyciem należy sprawdzić następujące kwestie:

- Sprawdzić znaczniki zużycia na **zębacie łańcucha (N-1)**. Jeśli są głębsze niż 0,5 mm: skontaktować się z serwisem EGO w celu wymiany zębatego łańcucha.
- Należy także sprawdzić system hamulca, jeśli znaczniki zużycia na **okładzinie hamulca (N-2)** są nierówne, należy skontaktować się z serwisem EGO w celu jej wymiany. (Rys. N)

N-1	Zębata łańcucha	N-2	Okładzina hamulca
-----	-----------------	-----	-------------------

- Sprawdzanie prowadnicy - patrz poświęcona temu część:
KONSERWACJA PROWADNICZY
- Sprawdzanie łańcucha pilarki - patrz poświęcona temu część:
KONSERWACJA ŁAŃCUCHA
- Testowanie hamulca łańcucha - patrz poświęcona temu część:
UKŁADY ZABEZPIECZAJĄCE PRZED ODBICIEM W TEJ

PILARCE ŁAŃCUCHOWEJ

- Sprawdzanie elementów sterujących - patrz poświęcona temu część: **WŁĄCZANIE/WYŁĄCZANIE PILARKI**
- Sprawdzanie smarowania łańcucha - patrz poświęcona temu część: **SPRAWDZANIE SMAROWANIA ŁAŃCUCHA**

KONSERWACJA

CZYSZCZENIE

- Po każdym użyciu należy miękką szczoteczką usunąć zanieczyszczenia z łańcucha i prowadnicy. Powierzchnię pilarki należy przetrzeć czystą szmatką zwilżoną roztworem delikatnego mydła.

- W celu gruntownego wyczyszczenia narzędzia należy zdjąć osłonę boczną, łańcuch i prowadnicę i miękką szcoteczką dokładnie usunąć zanieczyszczenia z prowadnicy, łańcucha oraz zębátki napędowej w głowicy napędu pilarki.
- Przy wymianie łańcucha tnącego należy zawsze usunąć z rowka prowadnicy drzazgi, wióry i zanieczyszczenia.

USUWANIE PYŁU

1. Odłączyć wtyczkę zasilania i pozwolić, aby pilarka ostygła, dokręcić korek zbiornika oleju.
2. Zaciągnąć hamulec pilarki
3. Do poluzowania śruby **osłony do usuwania pyłu (O-1)** użyć klucza wielofunkcyjnego (w zestawie) (Rys. O1).
4. Usunąć pył z pilowania i wióry nagromadzone w żeberkach chłodzących - w tym celu użyć suchego sprężonego powietrza. Wydmuchać je przez **włot powietrza (O-2)** z drogiej strony. (Rys. O2).

O-1	Oslona do usuwania pyłu	O-2	Włot powietrza
-----	-------------------------	-----	----------------

KONSERWACJA PROWADNICY

Gdy prowadnica wykazuje ślady zużycia, należy ją wymontować z głowicy napędowej pilarki, odwrócić i zamontować ponownie (Rys. P1). W ten sposób jej zużywanie się rozkłada się równomiernie, przez co czas użytkowania jest maksymalny.

Prowadnicę należy czyścić (łącznie z **szynami prowadnicy (P-1)** i **otworem do smarowania (P-2)**) każdego dnia pracy, jednocześnie należy ją kontrolować pod kątem zużycia i uszkodzenia (Rys. P2). Szczerbienie się lub powstawanie wżerów na szynach prowadnicy jest normalnym procesem zużywania się. Tego typu defekty należy wyglądać pilnikiem natychmiast gdy się pojawiają. Prowadnicę z następującymi defektami należy wymienić: Zużycie od środka szyn prowadnicy, pozwalające łańcuchowi zsuwać się na boki.

- Wygięta prowadnica.
- Pęknięte lub uszkodzone szyny.
- Rozgięte szyny.

Prowadnica ma na końcu zębátkę. Zębátka ta musi być co tydzień smarowana strzykawką olejową – przedłużyć to czas użytkowania prowadnicy (Rys. P3 i P4). Przekręcić **zębátkę przednią (P-3)** jednocześnie pompując olej półprzezroczysty żółty, **półprzezroczysty czerwony lub półprzezroczysty do otworu do smarowania (P-4)**, aż cała zębátka zostanie pokryta świeżym smarem. Nie należy wciskać zanieczyszczeń do otworu.

P-1	Szyny prowadnicy	P-3	Zębátka
P-2	Otwór do smarowania	P-4	Otwór do smarowania

KONSERWACJA ŁAŃCUCHA

W tej pilarcie należy używać wyłącznie łańcuchów o małej podatności na odbicie. Pod warunkiem prawidłowej pielęgnacji, tego typu szybko tnący łańcuch ogranicza ryzyko odbicia.

Prawidłowo naostrzony łańcuch pilarki bez trudu przecina drewno, nawet jeśli się go tylko bardzo lekko dociska. Nigdy nie należy używać tępego lub uszkodzonego łańcucha tnącego. Tępy łańcuch pilarki zwiększa wysiłek fizyczny, prowadzi do większych drgań i niezadawalających efektów pracy, a także przyspiesza zużywanie się podzespołów. Aby gładko i szybko ciąć, łańcuch musi być właściwie utrzymywany. Jeśli wióry stają się małe i tworzy się dużo pyłu, a w czasie pilowania łańcuch trzeba mocno dociskać lub jeśli łańcuch tnie tylko z jednej strony, oznacza to, że trzeba go naostrzyć. Podczas prac konserwacyjnych przy łańcuchu należy uwzględnić następujące fakty:

- Niewłaściwy kąt szlifowania płytek bocznych pilnikiem zwiększa ryzyko silnego odbicia.
- Przeświet miernika głębokości. Zbyt mały zwiększa ryzyko odbicia. Za wysoki zmniejsza zdolność cięcia.
- Jeśli zęby tnące uderzyły w twarde przedmioty, takie jak np. gwoździe i kamienie, lub jeśli stary się od błota lub piasku znajdującego się na drewnie, łańcuch należy oddać do naostrzenia wykwalifikowanemu technikowi serwisu.

UWAGA: Zaleca się, aby ostrzenie **łańcucha tnącego** i czynności konserwacyjne przy nim wykonywać w autoryzowanych punktach obsługi.

TRANSPORT I PRZECHOWYWANIE

- Pilarki nie należy chować ani transportować w czasie, gdy urządzenie pracuje. Przed schowaniem lub transportowaniem należy zawsze odłączyć wtyczkę zasilania.
- Przed schowaniem lub transportowaniem pilarki należy zawsze założyć osłonę na prowadnicę. Prosimy zachować ostrożność, aby nie skaleczyć się zębami łańcucha.
- Przed schowaniem pilarkę należy dokładnie wyczyścić. Pilarkę należy przechowywać w suchym pomieszczeniu zamkniętym i/lub niedostępnym dla dzieci.
- Wyrób należy chronić przed żrącymi substancjami takimi jak chemia ogrodnicza i sól do usuwania lodu.

Ochrona środowiska



WEEE (Zużyty sprzęt elektryczny i elektroniczny) Urządzeń elektrycznych, zużytych akumulatorów i ładowarki nie należy wyrzucać do zwykłych zmieszanych śmieci domowych! Produkt należy oddać do zbiórki selektywnej w autoryzowanym punkcie recyklingu. Elektronarzędzia należy oddawać do przyjaznego dla środowiska zakładu recyklingu.

ROZWIĄZYWANIE PROBLEMÓW

PROBLEM	PRZYCZYNA	ROZWIĄZANIE
Silnik nie włącza się.	<ul style="list-style-type: none"> ■ Wtyczka zasilania uchwyty ma akumulator nie jest przymocowana do pilarki. ■ Brak połączenia elektrycznego między uchwytem na akumulator a akumulatorem. ■ Dźwignia odblokowująca nie jest złożona. ■ Przełącznik „WŁ./WYŁ.” jest ustawiony w pozycji „WYŁ.”. ■ Zaciągnięty hamulec łańcucha. 	<ul style="list-style-type: none"> ■ Włożyć wtyczkę zasilania uchwyty ma akumulator do pilarki. ■ Odłączyć akumulator, sprawdzić styki i założyć akumulator z powrotem. ■ Przed włączeniem złożyć dźwignię odblokowującą. ■ Przeszawić przełącznik „WŁ./WYŁ.” w pozycję „WŁ.”. ■ Pociągnąć dźwignię hamulca łańcucha w tył do uchwyty górny, do pozycji roboczej.
Pilarka zatrzymuje się w czasie pracy.	<ul style="list-style-type: none"> ■ Akumulator lub pilarka jest zbyt gorący/a. ■ Pilarka jest przeciążona. ■ Zbyt duża ilość wiórów zapycha kanał wentylacyjny. ■ Akumulator jest rozładowany. 	<ul style="list-style-type: none"> ■ Pozwolić, aby akumulator lub pilarka ostygły ■ Zmniejszyć obciążenie. ■ Usunąć pył - patrz część „USUWANIE PYŁU”. ■ Naładować akumulator
Nie włącza się hamulec łańcucha	<ul style="list-style-type: none"> ■ Zanieczyszczenia uniemożliwiają pełne przestawienie dźwigni hamulca łańcucha ■ Być może hamulec łańcucha nie działa prawidłowo 	<ul style="list-style-type: none"> ■ Usunąć zanieczyszczenia z zewnętrznego mechanizmu hamulca łańcucha ■ Skontaktować się z punktem obsługi klienta EGO w celu dokonania naprawy.
Brak smarowania olejem podczas piłowania.	<ul style="list-style-type: none"> ■ Zbiornik na olej jest pusty. ■ Zatkany wylot oleju smarującego prowadnicę łańcucha ■ Stężenie oleju w niskiej temperaturze 	<ul style="list-style-type: none"> ■ Nasmarować smarem prowadnicę i łańcuch. ■ Usunąć pył w wylocie oleju. ■ Zmienić olej smarujący na właściwy (odpowiedni do niskich temperatur)
Kontrolka niskiego poziomu oleju miga na czerwono lub świeci nietypowo, podczas gdy w zbiorniku na olej jest olej.	<ul style="list-style-type: none"> ■ Używanie narzędzia pod nietypowym kątem sprawia, że olej w zbiorniku na olej nie dochodzi do przewodu olejowego. ■ Kategoria i kolor oleju są inne niż zalecane. ■ Kontrolka niskiego poziomu oleju nadal miga na czerwono. 	<ul style="list-style-type: none"> ■ Ustawić pilarkę poziomo i spróbować ponownie. ■ Użyć zalecanego oleju półprzezroczystego żółtego, półprzezroczystego czerwonego lub półprzezroczystego ■ Skontaktować się z punktem obsługi klienta EGO w celu dokonania naprawy
Kontrolka niskiego poziomu oleju nie świeci, a w zbiorniku na olej jest za mało oleju.	<ul style="list-style-type: none"> ■ Brak możliwości ustalenia kategorii i koloru oleju. ■ Niewielka ilość oleju nadal znajduje się w zbiorniku na olej lub w przewodzie olejowym ■ Kontrolka niskiego poziomu oleju nadal nie działa z powyższych powodów. 	<ul style="list-style-type: none"> ■ Użyć zalecanego oleju półprzezroczystego żółtego, półprzezroczystego czerwonego lub półprzezroczystego ■ Używać pilarki przez chwilę, a potem ponownie sprawdzić kontrolkę niskiego poziomu oleju ■ Skontaktować się z punktem obsługi klienta EGO w celu dokonania naprawy.

GWARANCJA

POLITYKA GWARANCYJNA EGO

W celu zapoznania się z wszystkimi warunkami polityki gwarancyjnej EGO prosimy odwiedzić stronę egopowerplus.com.

PŘEČTĚTE SI VŠECHNY POKYNY!



PŘEČTĚTE SI NÁVOD K OBSLUZE

⚠ Zbytkové riziko! Osoby s elektronickými přístroji, jako jsou např. kardiostimulátory, by se měli před použitím toho výrobku poradit se svým lékařem. Použití elektrického zařízení v těsné blízkosti kardiostimulátoru může způsobit rušení činnosti nebo poruchu kardiostimulátoru.

BEZPEČNOSTNÍ SYMBOL

Účelem bezpečnostních symbolů je upoutat vaši pozornost k případným nebezpečím. Bezpečnostní symboly a jejich vysvětlení vyžadují vaši zvýšenou pozornost a porozumění. Výstražné symboly samy o sobě nevylučují žádné nebezpečí. Pokyny a varování, zde uvedené, nejsou náhradou vhodných opatření pro prevenci úrazů.

⚠ VAROVÁNÍ: Před použitím tohoto nářadí si přečtěte a seznámte se se všemi bezpečnostními pokyny uvedenými v tomto návodu k obsluze včetně veškerých výstražných symbolů jako např. „**NEBEZPEČÍ**“, „**VAROVÁNÍ**“ a „**UPOZORNĚNÍ**“. Nedodržení níže uvedených pokynů může mít za následek úraz elektrickým proudem, požár a/nebo vážná zranění osob.

VÝZNAM SYMBOLŮ

Na této stránce jsou zobrazeny a popsány bezpečnostní symboly, které se mohou na výrobku objevit. Před montáží a provozem si přečtěte, seznámte se a dodržujte veškeré pokyny související s nářadím.

BEZPEČNOSTNÍ SYMBOLY

CZ



Bezpečnostní upozornění



Z důvodu snížení nebezpečí úrazu si musí uživatel před použitím tohoto výrobku přečíst návod k obsluze a porozumět mu.



Používejte silné pracovní rukavice vyrobené z odolného materiálu



Noste těsně padnoucí oděv. Nenoste šály, kravaty nebo šperky



Noste protiskluzovou bezpečnostní obuv



Používejte těsně padnoucí bezpečnostní brýle, špunty do uší nebo klapky na uši a bezpečnostní přilbu s podbradníkem.



Pozor na zpětný ráz – hrot vodící lišty nesmí přijít do styku s žádným předmětem



Obouruční úchop – při práci s řetězovou pilou vždy používejte obě ruce.



Zpětný ráz hrotu vodící lišty – kontakt s hrotem může způsobit prudký pohyb vodící lišty vzhůru a dozadu, což může způsobit vážný úraz.



Informace o vodící liště.



Odpadní elektrické výrobky se nesmí likvidovat spolu s domovním odpadem. Odevzdejte je do autorizovaného recyklačního střediska.



Nevystavujte dešti.

V

Volty



Hlučnost



Stejnoseměrný proud



CE

TECHNICKÉ ÚDAJE

Napětí	56 V	
Doporučená provozní teplota:	-15°C až 40°C	
Doporučená teplota skladování:	-40°C až 70°C	
Optimální teplota nabíjení	5°C až 40°C	
Délka řezu	300 mm	
Rychlost řetězu	20 m/s	
Rozteč řetězu	3/8" (9,5 mm)	
Měrka řetězu	1,1 mm	
Typ pilového řetězu	AC1200 (doporučovaný) AC1400 (kompatibilní) AC1600 (kompatibilní)	
Typ vodicí lišty	AG1200 (doporučovaný) AG1400 (kompatibilní) AG1600 (kompatibilní)	
Hmotnost (bez akumulátoru a krytu řetězu)	3,5 kg	
Měřená hladina akustického výkonu L_{WA}	98,8 dB(A) K=3 dB(A)	
Hladina akustického tlaku v místě obsluhy L_{PA}	88,1 dB(A) K=3 dB(A)	
Zaručená úroveň akustického výkonu L_{WA} (podle 2000/14/ES)	102 dB(A)	
Vibrace a_h	Přední rukojeť	1,73 m/s ² K= 1,5 m/s
	Hlavní rukojeť	2,21 m/s ² K= 1,5 m/s

CZ

- Celková deklarovaná hodnota vibrací byla naměřena podle standardní zkušební metody a lze ji použít ke srovnání s jiným nářadím;
- Celkovou deklarovanou hodnotu vibrací lze použít také k předběžnému stanovení expozičních limitů.

POZNÁMKA: Emise vibrací při konkrétním použití elektrického nářadí se mohou lišit od deklarované hodnoty, při které se nářadí používá; z důvodu ochrany provozovatele by měl uživatel ve skutečných pracovních podmínkách nosit rukavice a chrániče sluchu.

POPIS

SEZNAMTE SE S VAŠÍ ŘETĚZOVOU PÍLOU (Obr. A1)

1. Pilový řetěz
2. Páka brzdy zpětného rázu
3. Zajišťovací jazýček
4. Hlavní rukojeť
5. Spoušť s proměnnou rychlostí
6. Očko
7. Signalizace stavu baterie
8. Ukazatel hladiny oleje
9. Přední rukojeť
10. Uzávěr olejové nádrže
11. Vodicí lišta
12. Mazací otvor
13. Řetězové kolo
14. Napínací šroub
15. Bezpečnostní vypínač
16. Vodicí šroub
17. Matka
18. Sestava bočního krytu
19. Kryt šroubu pro nastavení průtoku oleje
20. Protiprachový kryt
21. Vysunovací mechanismus
22. Elektrické kontakty
23. Tlačítko pro uvolnění akumulátoru
24. Háček na opasek
25. Přezka
26. Pásek
27. Popruh s el. drátem
28. Kroužek 1
29. Hák pily
30. Zástrčka
31. Kroužek 2
32. Kryt řetězu
33. Kombinovaný klíč

OBSAH BALENÍ (OBR. A1)


MONTÁŽ

MONTÁŽ/DEMONTÁŽ LIŠTY A ŘETĚZU

VAROVÁNÍ: Před montáží nebo demontáží produktu jej vždy odpojte od napájení a použijte ochranné rukavice.

VAROVÁNÍ: Přečtěte si všechny bezpečnostní výstrahy, pokyny, ilustrace a technické údaje dodané s tímto elektrickým nářadím. Nedodržení všech níže uvedených pokynů může mít za následek úraz elektrickým proudem, požár a/nebo vážný úraz.

Všechna varování a pokyny uschovejte pro budoucí použití.

1. Ujistěte se, že je páka brzdy zpětného rázu nastavena do polohy .
 2. Odšroubujte **matici (A-17)** proti směru hodinových ručiček a sejměte **sestavu bočního krytu (A-18)**.
 3. Pilový řetěz položte na rovný povrch a vyrovnejte případné ohyby. (Obr. B1)
 4. **Hnací články (B-1)** umístěte do **drážky (B-2)** na vodící liště a navlékněte řetěz v zadní části vodící lišty. (Obr. B2)
 5. Řetěz držte v dané poloze na vodící liště a nasadte jej okolo **řetězového kola (B-3)** hnací jednotky. Zkontrolujte následující (obr. B3).
 - a) Usazení hnacích článků v zubech **řetězového kola (B-3)**.
 - b) Polohu **napínacího šroubu (B-4)** a **vodicího šroubu (B-5)** v drážce vodící lišty. Zapojení **napínacího kolíku (B-6)** v otvoru vodící lišty.
- POZNÁMKA:** Ujistěte se, že směr šipek na zubech řetězové pily vždy směřuje dopředu (Obr. B3).
6. Pro zajištění správného napnutí viz oddíl „**NAPNUTÍ PILOVÉHO ŘETĚZU**“.
 7. Zarovnejte dvě **vodicí tyče (B-7)** boční sestavy krytu s příslušnými **otvory (B-8)** v pile, poté usadte sestavu bočního krytu. (Obr. B4)
 8. Utáhněte matku.

B-1	Hnací články	B-5	Vodící šroub
B-2	Drážka	B-6	Napínací kolík
B-3	Řetězové kolo	B-7	Vodicí tyče
B-4	Napínací šroub	B-8	Otvory

POZNÁMKA: Pokud je třeba vyměnit vodící lištu, demontujte sestavu bočního krytu a namontujte novou vodící lištu, jak je znázorněno na Obr. C.

PROVOZ

POUŽITÍ

- Tato řetězová pila je speciálně určena pro prořezávání a udržbu stromů.



Tuto pilu mohou používat pouze osoby speciálně vyškolené pro práci ve stromech.

POZNÁMKA: Uživatelům, kteří podobný výrobek používají poprvé doporučujeme, aby si minimálně vyzkoušeli řezání polen na koze nebo stojanu.

NAPNUTÍ ŘETĚZOVÉ PILY

VAROVÁNÍ: Nikdy se nedotýkejte řetězu ani jej nenastavujte, pokud je motor v chodu. Pilový řetěz je velmi ostrý. Při údržbě řetězové pily vždy používejte ochranné rukavice.

Pilový řetěz se během běžného chodu stahuje a roztahuje. V důsledku toho se mění napnutí řetězu. Napnutí řetězu pravidelně během používání kontrolujte a v případě potřeby jej upravte.

1. Řetězovou pilu vypněte, zabrzděte a odpojte napájecí zástrčku.
2. Uvolněte matici tak, aby se vodící lišta mohla volně pohybovat.
3. Podržte hrot lišty směrem nahoru a seřídte napnutí napínacího šroubu, dokud:
 - a) provedení řetězu ve středu lišty nebude cca: 1–2 mm (Obr. D).
 - b) Odblokujte řetězovou brzdu a přesvědčte se, že lze dvěma prsty zatáhnout pilovým řetězem kolem lišty.

POZNÁMKA: Tento krok provádějte s opatrností, aby nedošlo ke zranění. Protože stejnosměrný motor obsahuje magnetický materiál, proveďte srovnání s běžnou benzinovou řetězovou pilou. Když budete otáčet pilovým řetězem pomocí dvou prstů, ucítíte určitý odpor. Pohyb není tak hladký jako u benzinové řetězové pily.

4. Hrot lišty držte směrem nahoru a matku utáhněte.

POZNÁMKA: Pokud není řetěz uprostřed lišty proveden o 1–2 mm, upravte napnutí řetězu.

PLNĚNÍ OLEJOVÉ NÁDRŽE

1. Vytáhněte zástrčku z řetězové pily.
2. Řetězovou pilu položte na pevný rovný povrch tak, aby víčko olejové nádrže směřovalo nahoru. Otevřete víčko olejové nádrže. Pokud je utaženo těsně, k uvolnění použijte drážkovanou hlavu kombinovaného klíče (součástí balení) (Obr. E).
3. Do nádrže opatrně nalijte olej. Nádrž naplňte až po spodní část plnicího hrdla. Otfete přebytečný olej a uzavřete víčko.

POZNÁMKA

- Při nákupu neobsahuje řetězová pila žádný olej. Proto je před použitím nezbytné naplnit nádrž olejem. Pila se při práci automaticky maže řetězovým olejem.
- Je speciálně navržena pro nízké tření a rychlejší řezání.
- Nikdy nepoužívejte olej ani jiná maziva, která nejsou určena pro mazání lišty a řetězu. Může dojít k ucpaní olejového systému, což může vést k předčasnému opotřebení lišty a řetězu.

- Nikdy nepoužívejte olej ani jiná maziva, která nejsou určena pro mazání lišty a řetězu. Může dojít k ucpaní olejového systému, což může vést k předčasnému opotřebení lišty a řetězu.

NASTAVENÍ PRŮTOKU OLEJE (Obr. F)

- Tato pila je vybavena šroubem na **seřízení průtoku oleje (F-1)** umístěným ve spodní části nářadí. Tento šroub slouží k nastavení průtoku oleje pro mazání řetězu, lišty a řezného systému. Průtok zvýšíte nebo snížíte podle směru šipek uvedených na krytu.

LED UKAZATEL ŘETĚZOVÉ PILY

Řetězová pila je vybavena 2 LED ukazateli zobrazujícími stav oleje a úroveň nabití akumulátoru/ů.

LED ukazatel		Význam	Kroky
Ukazatel hladiny oleje (A-8)	Bliká červeně	Nedostatek oleje	Doplňte olej do nádržky.
	Vypnuto	Dostatek oleje	/
Ukazatel stavu baterie (A-7)	Svítil zeleně	Akumulátor je nabitý	/
	Bliká zeleně	Akumulátor je téměř vybitý a musí se okamžitě nabít.	Nabijte akumulátor.

CZ

PŘIPEVNĚNÍ DRŽÁKU AKUMULÁTORU K LEZECKÉMU POSTROJI

Tato řetězová pila je dodávána s držákem akumulátoru, který slouží k nošení akumulátoru a umožňuje jeho připevnění k lezeckému postroji (není součástí).

POZNÁMKA: Držák akumulátoru pevně připevněte k lezeckému postroji dříve, než si postroj obléknete.

- Na postroji vyhledejte vhodné místo k připevnění držáku akumulátoru a držák akumulátoru zavěste na postroj pomocí **opaskové karabiny (G-1)**. (Obr. G1)
- Obtočte pás kolem lezeckého postroje, abyste upevnili držák akumulátoru na místě (Obr. G2 a G3).
- Připojte dva **kroužky (G-2)** bezpečnostního popruhu s el. drátem k lezeckému postroji pomocí dvou karabin (nejsou součástí), viz Obr. G4.

G-1	Háček na opasek	G-2	Kroužky
-----	-----------------	-----	---------

POZNÁMKA:

- Při lezení na strom připevněte kroužky 1 a 2 bezpečnostního popruhu s el. drátem k lezeckému postroji pomocí karabin (nejsou součástí) (Obr. G5).

- Když je nářadí používáno, odpojte kroužek 2 od lezeckého postroje. Pilu při řezání držte oběma rukama (Obr. G6).

ZAJIŠTĚNÍ PILY K DRŽÁKU AKUMULÁTORU

Připevněte **háček (H-2)** bezpečnostního popruhu s el. drátem k **oku (H-1)**. (Obr. H)

H-1	Okno	H-2	Háček
-----	------	-----	-------

INSTALACE/VYJMUTÍ AKUMULÁTORU

POZNÁMKA: Před prvním použitím akumulátor plně nabijte.

Instalace (Obr. I1)

Zarovnejte žebra akumulátoru s montážními drážkami a poté zasuňte akumulátor do držáku akumulátoru, dokud nezapadne na místo.

TDemontáž (Obr. I2)

Palcem stiskněte tlačítko na uvolnění akumulátoru a akumulátor vyjměte.

SPUŠTĚNÍ/VYPNUTÍ ŘETĚZOVÉ PILY

Spuštění

- Zarovnejte značky „▲“ na **zástrčce (J-2)** a **elektrické zdířce (J-1)** řetězové pily, poté zasuňte zástrčku do řetězové pily, dokud ZELENÉ těsnění na zástrčce ZCELA nezmizí ve zdířce (Obr. J1).
- Vypínač přesuňte do polohy „ZAP“ (Obr. J2).
- Zatáhněte brzdu zpětného rázu směrem k hlavní rukojeti do polohy .
- Posuňte **zajišťovací jazýček (J-3)** dopředu a stiskněte **spoušť s proměnnou rychlostí (J-4)**. Čím více vytáhnete spoušť s proměnnou rychlostí, tím vyšší rychlost bude řetězová pila mít (Obr. J3).

J-1	Zdířka	J-3	Zajišťovací jazýček
J-2	Zástrčka	J-4	Spoušť s proměnnou rychlostí

Zastaven

- Chcete-li řetězovou pilu vypnout, uvolněte spoušť s proměnnou rychlostí.

POZNÁMKA: Pilový řetěz se bude ještě chvíli po uvolnění spouště s proměnnou rychlostí otáčet. Po uvolnění spouště s proměnnou rychlostí a při pokládání pily se vyvarujte kontaktu s řetězem.

- Brzdu zpětného rázu zatlačte dopředu do zabrzdžené polohy „“.
- Vypínač přesuňte do polohy „VYP“.

VAROVÁNÍ: Při přestávce a po skončení práce vždy odpojte zástrčku z řetězové pily.

PŘÍPRAVA NA ŘEZÁNÍ

Správný úchop rukojeti (Obr. K)

- Pro dosažení maximální pevnosti úchopu a ochrany používejte protiskuzové rukavice.
- Vždy uchopte přední rukojeť levou rukou a hlavní rukojeť pravou rukou.
- Prsty musí obepnout rukojeť s palcem sbaleným pod přední rukojetí.

VAROVÁNÍ: Nikdy nepoužívejte levoruký (překřížený) úchop nebo postoj, při kterém tělo nebo paže kříží dráhu řetězu.

VAROVÁNÍ: Spoušť nespouštějte levou rukou a přední rukojeť nedržte pravou rukou. Nikdy nedovolte, aby jakákoliv část vašeho těla byla při používání pily v linii jejího řezu (Obr. L).

KONTROLA MAZÁNÍ ŘETĚZU (Obr. M)

POZNÁMKA: Dbejte na to, aby nádrž na olej byla naplněna správným množstvím řetězového oleje.

1. Vodicí lištu podržte nad světle zbarveným povrchem.
2. Zapněte pilu. Pokud je řetěz správně promazáván, uvidíte po 1 minutě jasnou stopu oleje na světle zbarveném povrchu.
3. Pokud není olej na světle zbarveném povrchu vidět, nahlédněte na oddíl „**NASTAVENÍ PRŮTOKU OLEJE**“.

POUŽITÍ NA STROMĚ

VAROVÁNÍ: Při práci na stromě doporučujeme použít dodatečnou oporu, jako např. nožní třmen, nastavitelné lano, aby se zabránilo švíhu nebo nehodě při řezání.

Před použitím zkontroluje následující:

- Zkontrolujte známky opotřebení na **řetězovém kole (N-1)**. Pokud jsou známky opotřebení hlubší než 0,5 mm, kontaktujte servisního zástupce společnosti EGO, aby řetězové kolo vyměnil.
- Také zkontrolujte brzdový systém na známky opotřebení **brzdového obložení (N-2)**. Pokud je nerovné, kontaktujte servisního zástupce společnosti EGO, aby byla provedena výměna brzdového obložení. (Obr. N)

N-1	Řetězové kolo	N-2	Brzdové obložení
-----	---------------	-----	------------------

- Zkontrolujte vodicí lištu podle oddílu: **ÚDRŽBA VODICÍ LIŠTY**
- Zkontrolujte pilový řetěz podle oddílu: **ÚDRŽBA ŘETĚZU**
- Zkontrolujte řetězovou brzdu podle oddílu: **BEZPEČNOSTNÍ ZAŘÍZENÍ PROTI ZPĚTNÉMU RÁZU NA TĚTO**

ŘETĚZOVÉ PILE

- Zkontrolujte ovládací prvky podle oddílu: **SPUŠTĚNÍ/VYPNUTÍ ŘETĚZOVÉ PILY**
- Zkontrolujte mazání řetězu podle oddílu: **KONTROLA MAZÁNÍ ŘETĚZU**

ÚDRŽBA

ČIŠTĚNÍ

- Po každém použití odstraňte nečistoty z řetězu a vodicí lišty měkkým kartáčem. Povrch řetězové pily otřete čistým hadrem navlhčeným ve slabém mýdlovém roztoku.
- V případě hloubkového čištění sejměte sestavu bočního krytu, demontujte vodicí lištu a pilový řetěz a poté použijte měkký kartáč, abyste odstranili nečistoty z vodicí lišty, pilového řetězu a hnacího kola hnací jednotky řetězové pily.
- Při výměně pilového řetězu vždy z drážky vodicí lišty odstraňte dřevěné štěpky, piliny a nečistoty.

ODSTRANĚNÍ PRACHU

1. Odpojte zástrčku, nechte řetězovou pilu zchladnout a utáhněte víčko olejové nádrže.
2. Aktivujte brzdu pily.
3. Použijte kombinovaný klíč (součástí dodávky), abyste uvolnili šroub **protiprachového krytu (O-1)** a otevřeli ho (Obr. O1).
4. Očistěte piliny a třísky nahromaděné v chladicím žebro pomocí stlačeného suchého vzduchu. Odfukujte je směrem pryč od **přívodu vzduchu (O-2)**. (Obr. O2).

O-1	Protiprachový kryt	O-2	Přívod vzduchu
-----	--------------------	-----	----------------

ÚDRŽBA VODICÍ LIŠTY

Pokud vodicí lišta vykazuje známky opotřebení, demontujte ji z hnací jednotky řetězové pily, obraťte ji a namontujte zpět (Obr. P1). Takto se opotřebení rozloží na maximální životnost lišty.

GZ

Lišta by měla být čistěna (včetně **vodících kolejnic (P-1)** a **mazacího otvoru (P-2)**) každý den používání a kontrolována na opotřebení a poškození (Obr. P2). Zkosení nebo otřepy vodících lišt jsou běžným procesem opotřebení lišty. Tyto závady odstraňte pilníkem, jakmile se objeví. Lištu, u které se projeví jedna z následujících poruch, musíte vyměnit.

Opotřebení uvnitř vodících kolejnic, které umožňuje řetězu posun do boku.

- Ohnutá vodící lišta.
- Prasklé nebo zlomené kolejnice.
- Roztažené kolejnice.

Vodící lišta má na hrotu řetězové kolo. Řetězové kolo se musí jednou týdně mazat mazací stříkačkou, aby se prodloužila životnost vodící lišty (Obr. P3 a P4). Otáčejte **koncem lišty (P-3)** při současném pumpování **žlutého, průhledného červeného nebo průhledného maziva do mazacího otvoru (P-4)**, dokud nebude celé kolo promazáno. Nezatlačte do otvoru špínu.

P-1	Lišta	P-3	Řetězové kolo
P-2	Mazací otvor	P-4	Mazací otvor

CZ

ÚDRŽBA ŘETĚZU

S touto pilou použijte pouze řetězy s malým zpětným rázem. Tato rychlořezná pila zajistí při správné údržbě snížení zpětného rázu.

Správně nabroušený pilový řetěz řeže dřevem bez námahy, a to i s malým tlakem. Nikdy nepoužívejte tupý nebo poškozený pilový řetěz. Tupý řezací zub pilového řetězu vede ke zvýšenému fyzickému namáhání, zvýšenému zatížení vibracemi, neuspokojivým výsledkům řezání a zvýšenému opotřebení.

Řetěz musí být řádně udržován, aby plynule a rychle řezal. Řetěz se musí nabrousit, když jsou dřevěné štěpky příliš malé a prachové, když se řetěz musí při řezání dřevem tlačit silou nebo když řetěz řeže jednou stranou. Při údržbě vašeho řetězu dbejte na následující:

- Nesprávný úhel pilování boční plošky může zvýšit riziko prudkého zpětného rázu.
- Vzdálenost omezovacího zubu. Příliš nízká zvyšuje riziko zpětného rázu. Pokud není dostatečně nízká, omezuje schopnost řezání.
- Pokud řezací zuby narazily do tvrdého tělesa, jako např. hřebíku, kamene nebo se obrousily o bláto nebo písek na dřevě, nechejte řetěz nabrousit kvalifikovaným servisním technikem.

POZNÁMKA: Doporučujeme, aby ostření a údržbu **pilového řetězu** prováděl autorizovaný servis.

PŘEPRAVA A SKLADOVÁNÍ

- Řetězovou pilu nepřpravujte ani neskladujte, když je motor v chodu. Před uskladněním nebo přepravou vždy odpojte zástrčku.
- Před uskladněním nebo přepravou řetězové pily vždy nasadte kryt na vodící lištu a řetěz. Dávejte pozor na ostré zuby řetězu.
- Před uskladněním řetězovou pilu řádně vyčistěte. Řetězovou pilu skladujte v interiéru, na suchém místě, které je zamknuté anebo je mimo dosah dětí.
- Uchovávejte v bezpečné vzdálenosti od korozivních látek, jako jsou chemické látky a rozmrazovací soli.

Ochrana životního prostředí



OEEZ (Odpadních elektrická a elektronická zařízení) Elektrické zařízení, použité baterie a nabíječku nevyhazujte do domovního odpadu! Tento výrobek předejte autorizované recyklační společnosti ke tříděnému sběru. Elektrické nářadí musí být vráceno do zařízení k ekologické recyklaci.

ODSTRAŇOVÁNÍ ZÁVAD

PROBLÉM	PŘÍČINA	ŘEŠENÍ
Motor neběží.	<ul style="list-style-type: none"> ■ Zástrčka držáku akumulátoru není připojena k řetězové pile. ■ Bez elektrického kontaktu mezi držákem akumulátoru a akumulátorem. ■ Zajišťovací jazýček není vyklopený. ■ Vypínač je v poloze „VYP“. ■ Brzda řetězu je aktivní. 	<ul style="list-style-type: none"> ■ Zasuňte zástrčku držáku akumulátoru do řetězové pily. ■ Odpojte akumulátor, zkontrolujte póly a akumulátor znovu nainstalujte. ■ Před spuštěním vysuňte zajišťovací jazýček. ■ Vypínač přesuňte do polohy „ZAP“. ■ Zatáhněte páku brzdy řetězu při zpětném rázu dozadu směrem k horní rukojeti až do pracovní polohy.
Během práce se řetězová pila zastaví.	<ul style="list-style-type: none"> ■ Akumulátor nebo řetězová pila jsou příliš horké. ■ Řetězová pila je přetížená. ■ Příliš mnoho dřevěných pilin ve větracím kanále. ■ Akumulátor je vybitý. 	<ul style="list-style-type: none"> ■ Nechte akumulátor nebo řetězovou pilu vychladnout ■ Snižte zatížení. ■ Odstraňte prach, viz oddíl „ODSTRANĚNÍ PRACHU“. ■ Nabijte akumulátor
Brzda řetězu se neaktivuje	<ul style="list-style-type: none"> ■ Nečistoty brání úplnému pohybu rukojeti brzdy řetězu při zpětném rázu ■ Možné poruchy brzdy řetězu 	<ul style="list-style-type: none"> ■ Odstraňte nečistoty z externího mechanismu brzdy řetězu ■ Pro pomoc kontaktujte zákaznický servis společnosti EGO.
Bez mazání při řezání.	<ul style="list-style-type: none"> ■ Olejová nádrž je prázdná. ■ Olejový výstup řetězu je zablokovaný ■ Tuhnutí oleje při nízké teplotě 	<ul style="list-style-type: none"> ■ Doplněte mazivo lišty a řetězu. ■ Odstraňte prach z vývodu oleje. ■ Použijte vhodný mazací olej (vhodný pro nízké teploty).
Ukazatel hladiny oleje červeně bliká nebo vydává neobvyklé světlo, když je nádrž naplněna olejem.	<ul style="list-style-type: none"> ■ Zvláštní úhel použití nářadí způsobuje blokování oleje v nádrži a neumožňuje jeho průchod dál do nářadí. ■ Nedoporučená kategorie a barva oleje. ■ Ukazatel hladiny oleje pořád bliká červeně. 	<ul style="list-style-type: none"> ■ Položte pilu na bok a opakujte. ■ Použijte doporučený průhledný žlutý, průhledný červený nebo průhledný olej ■ Pro pomoc kontaktujte zákaznický servis společnosti EGO
Ukazatel hladiny oleje nepracuje, když je v nádrži málo oleje.	<ul style="list-style-type: none"> ■ Není možné určit kategorii a barvu oleje. ■ Malé množství oleje stále přítomno v nádrži nebo hadičce ■ Ukazatel hladiny oleje stále nepracuje z výše uvedených důvodů. 	<ul style="list-style-type: none"> ■ Použijte doporučený průhledný žlutý, průhledný červený nebo průhledný olej ■ Krátce pilu použijte a poté znovu zkontrolujte ukazatel hladiny oleje ■ Pro pomoc kontaktujte zákaznický servis společnosti EGO.

CZ

ZÁRUKA

ZÁRUKA SPOLEČNOSTI EGO

Úplné záruční podmínky společnosti EGO naleznete na webové stránce egopowerplus.com.

PREČÍTAJTE SI VŠETKY POKYNY!



PREČÍTAJTE SI NÁVOD NA OBSLUHU.

▲ Potenciálne riziká! Ľudia s elektronickými zariadeniami, napríklad kardiostimulátorom, musia používanie tohto výrobku konzultovať so svojim lekárom. Použitie elektrických zariadení v tesnej blízkosti kardiostimulátora by mohlo spôsobiť rušenie alebo zlyhanie kardiostimulátora.

BEZPEČNOSTNÝ SYMBOL

Účelom bezpečnostných symbolov je upozorniť na možné nebezpečenstvá. Venujte príslušnú pozornosť a pochopte bezpečnostné symboly a ich vysvetlenia. Varovné symboly, samy o sebe, nedokážu eliminovať nebezpečenstvo. Pokyny a varovania, ktoré obsahujú, nie sú náhradou za vhodné opatrenia na prevenciu úrazov.

▲ VAROVANIE: Pred použitím tohto nástroja si prečítajte a pochopte všetky bezpečnostné pokyny v tomto návode na obsluhu, vrátane všetkých bezpečnostných výstražných symbolov, ako sú „**NEBEZPEČENSTVO**“, „**VAROVANIE**“ a „**UPOZORNENIE**“. Nedodržanie nižšie uvedených pokynov môže mať za následok úraz elektrickým prúdom, požiar a/alebo vážne zranenie.

VÝZNAM SYMBOLU

Táto strana zobrazuje a popisuje bezpečnostné symboly, ktoré sa objavujú na tomto výrobku. Pred pokusom o zostavenie a prevádzkovanie si prečítajte, pochopte a dodržiavajte všetky pokyny na stroji.

SK

BEZPEČNOSTNÉ SYMBOLY



Bezpečnostné upozornenie



Noste trvanlivé pracovné rukavice vyrobené z odolného materiálu.



Používajte protišmykovú ochrannú obuv.



Nebezpečenstvo spätného nárazu - Snažte sa predchádzať kontaktu špičky vodiacej lišty s akýmkoľvek predmetom.



Spätný náraz špičky vodiacej lišty - Kontakt so špičkou môže spôsobiť rýchly pohyb vodiacej lišty smerom hore a dozadu, čo môže mať za následok vážny úraz.



Odpadové elektrické výrobky sa nesmú likvidovať spolu s domovým odpadom. Odovzdajte do autorizovaného recyklačného strediska.

V Volt



Jednosmerný prúd



Ak chcete znížiť riziko zranenia, používateľ musí pred použitím tohto výrobku prečítať a pochopiť návod na obsluhu.



Noste priliehavé oblečenie. Nenoste šál, kravatu alebo šperky.



Noste priliehavé ochranné okuliare, štuple do uší alebo chrániče sluchu a ochrannú prilbu s remienkom pod bradu.



Uchopenie dvomi rukami - Pri práci s motorovou pilou používajte vždy obe ruky.



Informácie o vodiacej lište.



Nevystavujte dažďu.



Hluk



CE

TECHNICKÉ ÚDAJE

Napätie	56 V	
Odporúčaná prevádzková teplota:	-15°C ~ 40°C	
Odporúčaná skladovacia teplota:	-40°C ~ 70°C	
Optimálna teplota nabíjania	5°C ~ 40°C	
Dĺžka rezu	300 mm	
Rýchlosť reťaze	20 m/s	
Výška reťaze	3/8" (9,5 mm)	
Meradlo lišty	1,1 mm	
Typ reťaze píly	AC1200 (Odporúčané) AC1400 (Kompatibilné) AC1600 (Kompatibilné)	
Typ vodiacej lišty	AG1200 (Odporúčané) AG1400 (Kompatibilné) AG1600 (Kompatibilné)	
Hmotnosť (bez akumulátora, krytu reťaze)	3,5 kg	
Nameraná hladina akustického výkonu L_{WA}	98,8 dB(A) K=3 dB(A)	
Hladina akustického tlaku na mieste obsluhy L_{PA}	88,1 dB(A) K=3 dB(A)	
Zaručená úroveň akustického výkonu L_{WA} (podľa 2000/14/ES)	102 dB(A)	
Vibrácie a_n	Predná rukoväť	1,73 m/s ² K= 1,5 m/s
	Hlavná rukoväť	2,21 m/s ² K= 1,5 m/s

- Deklarovaná celková hodnota vibrácií bola meraná v súlade so štandardnou skúšobnou metódou a môže sa použiť na vzájomné porovnanie jednotlivých náradí;
- Uvádzaná celková hodnota vibrácie sa môže použiť aj na predbežný odhad expozície.

POZNÁMKA: Emisia vibrácií pri skutočnom používaní náradia sa môže odlišovať od deklarovanej hodnoty, pri akej sa nástroj používa; za účelom ochrany obsluhy má používateľ v skutočných podmienkach použitia nosiť rukavice a ochranu sluchu.

POPIS

SPOZNAJTE SVOJU REŤAZOVÚ PÍLU (obr. A1)

1. Reťaz píly
2. Lopatka brzdy spätného nárazu
3. Uzamykací jazýček
4. Hlavná rukoväť
5. Páčka nastavenia premenivej rýchlosti
6. Očko
7. Kontrolka batérie
8. Kontrolka nízkej hladiny oleja
9. Predná rukoväť
10. Uzáver olejovej nádrže
11. Vodiaca lišta
12. Otvor na mazanie
13. Ozubené koleso
14. Napínacia skrutka
15. ZAP/VYP Bezpečnostný vypínač
16. Vodiaca skrutka
17. Matica lišty
18. Zostava bočného krytu
19. Kryt skrutky nastavenia prietoku oleja
20. Kryt vývodu pilín
21. Vyhadzovací mechanizmus
22. Elektrické kontakty
23. Tlačidlo na uvoľnenie akumulátora
24. Remeňový hák
25. Spona
26. Popruh
27. Remeň
28. Krúžok 1
29. Háč píly
30. Napájacia zástrčka
31. Krúžok 2
32. Kryt reťaze
33. Kombinovaný kľúč

SK

OBSAH BALENIA (OBR. A1)


MONTÁŽ

MONTÁŽ/DEMONTÁŽ LIŠTY A REŤAZE

VAROVANIE: Pred montážou alebo údržbou výrobku vždy odpojte napájaci zástrčku a noste ochranné rukavice.

VAROVANIE: Prečítajte si všetky bezpečnostné výstrahy, pokyny, ilustrácie a technické údaje dodané s týmto elektrickým nástrojom. Nedodržanie nižšie uvedených pokynov môže mať za následok úraz elektrickým prúdom, požiar a/alebo vážne zranenie.

Všetky varovania a pokyny si ponechajte pre prípadnú potrebu v budúcnosti.

1. Uistite sa, že lopatka brzdy spätného nárazu je nastavená do polohy .
2. Odskrutkujte **maticu lišty (A-17)** proti smeru hodinových ručičiek, aby ste zložili **zostavu bočného krytu (A-18)**.
3. Položte reťaz píly do slučky na rovnú plochu a vyrovnajte prípadné zalomenia. (Obr. B1)
4. Umiestnite **vodiace články (B-1)** do **drážky (B-2)** vodiacej lišty a reťaz dajte do slučky na zadnej strane vodiacej lišty. (Obr. B2)
5. Pridržiňte reťaz na vodiacej lište a umiestnite slučku okolo **ozubeného kolesa (B-3)** pohonnej hlavy a skontrolujte nasledujúce položky (obr. B3).
 - a) Vodiace články reťaze zapadajú do zubov reťazového **kolesa (B-3)**.
 - b) **Napínacia skrutka (B-4)** a **vodiaca skrutka (B-5)** sa nachádzajú v drážke vodiacej lišty. **Napínací čap (B-6)** zapadá do otvoru vodiacej lišty.

POZNÁMKA: Dbajte na to, aby smer šípok na zuboch reťaze píly smeroval vždy dopredu (obr. B3).

6. Prečítajte si časť „NAPNUTIE REŤAZE PÍLY“, aby ste sa ubezpečili, že je reťaz správne namontovaná bez uviaznutia.
7. Zarovnajte dve **vodiace tyčky (B-7)** zostavy bočného krytu s príslušnými **otvormi (B-8)** v pile a potom namontujte zostavu bočného krytu. (obr. B4)
8. Dotiahnite maticu lišty.

B-1	Vodiace články	B-5	Vodiaca skrutka
B-2	Drážka	B-6	Napínací čap
B-3	Ozubené koleso reťaze	B-7	Vodiace tyčky
B-4	Napínacia skrutka	B-8	Otvory

POZNÁMKA: Ak je potrebné vodiacu lištu vymeniť, demontujte zostavu bočného krytu a namontujte ju späť s novou vodiacou lištou, ako je to znázomené na obrázku C.

OBSLUHA

POUŽITIE

- Táto reťazová píla je navrhnutá špeciálne na rezanie a údržbu stromov.



Túto pílu smú používať iba osoby, ktoré sú špeciálne zaškolené na práce súvisiace so starostlivosťou o stromy.

POZNÁMKA: Odporúčame, aby si začiatočník minimálne precvičil rezanie guľatiny na koze alebo kolíske.

NAPNUTIE REŤAZE PÍLY

VAROVANIE: Nikdy sa nedotýkajte ani neprestavujte reťaz, keď je zapnutý motor. Reťaz píly je veľmi ostrá. Pri vykonávaní údržby na reťazi používajte vždy ochranné rukavice.

Reťaz píly sa pri bežnej prevádzke rozťahuje alebo sťahuje. Výsledkom je zmena napnutia reťaze. Počas prevádzky pravidelne kontrolujte napnutie reťaze, prípadne ju upravte.

1. Vypnite reťazovú pílu, zatiahnite brzdzu reťaze a odpojte napájajúcu zástrčku.
2. Uvoľnite maticu lišty, aby sa vodiaca lišta mohla voľne pohybovať pre ďalšie nastavenie.
3. Podržte nos lišty hore a nastavujte napínaviu skrutku, kým nebudú platiť nasledujúce body:
 - a) Previs reťaze v strede lišty je približne: 1 - 2 mm (obr. D)
 - b) Uvoľnite brzdzu reťaze, uistite sa, že je možné reťaz ťahať dvoma prstami pozdĺž lišty.

POZNÁMKA: Tento krok vykonajte opatrne, aby ste predišli zraneniu. Pretože tento jednosmerný motor obsahuje magnetický materiál, tak v porovnaní s bežnou benzínovou reťazovou pilou pocítite určitý odpor, keď budete reťaz ťahať dvoma prstami. Nie je to taký hladký pohyb ako pri benzínovej reťazovej pile.

4. Podržte nos lišty hore a dotiahnite maticu lišty.

POZNÁMKA: Ak previs reťaze v strede lišty nie je 1 - 2 mm, upravte napnutie reťaze.

DOPLNENIE OLEJOVEJ NÁDRŽE

1. Odpojte napájajúcu zástrčku od reťazovej píly.
2. Položte reťazovú pílu na bok na pevný, rovný povrch tak, aby uzáver olejovej nádrže smeroval nahor. Otvorte uzáver olejovej nádrže. Ak je príliš utiahnutý, uvoľnite ho kombinovaným kľúčom (súčasť dodávky) pomocou štrbiny uzávère (obr. E).
3. Opatrne nalejte olej do olejovej nádrže. Naplňte po spodok plniaceho hrdla. Používajte prebytočný olej a zatvorte uzáver.

POZNÁMKA:

- Pri kúpe nie je v reťazovej pile olej. Je nevyhnutné, aby ste pred použitím naplnili nádrž olejom. Reťaz je počas používania automaticky mazaná olejom.
- Je špeciálne navrhnutý na nízke trenie a rýchlejšie rezy.
- Nikdy nepoužívajte olej alebo iné mazivá, ktoré nie sú špeciálne určené pre lišty a reťaze. Môže to viesť k upchatiu olejového systému, čo môže spôsobiť predčasnú opotrebenie lišty a reťaze.

NASTAVENIE PRIETOKU OLEJA (obr. F)

- Táto píla je vybavená skrútkou na **nastavenie prietoku oleja (F-1)**, ktorá sa nachádza na spodnej časti náradia a slúži na nastavenie prietoku oleja na mazanie reťaze, tyče a rezného systému. Zvýšte alebo znížte prietok oleja v smere šípkov vyznačených na kryte.

LED KONTROLKA NA REŤAZOVEJ PÍLE

Reťazová píla je vybavená 2 LED kontrolkami, ktoré indikujú stav oleja a úroveň nabitia akumulátora.

LED kontrolka	Význam	Akcia	
Kontrolka nízkej hladiny oleja (A-8)	Bliká červená	Nedostatok oleja	Naplňte olejovú nádrž.
	Nesvieti	Má olej	/
Kontrolka batérie (A-7)	Svieti zelená	Akumulátor je nabitý	/
	Bliká zelená	Akumulátor je takmer vybitý a je potrebné ho okamžite nabiť.	Nabite akumulátor.

PRÍPRAVENIE PUZDRA NA AKUMULÁTOR NA LEZECKÝ POSTROJ

Táto reťazová píla sa dodáva s puzdrom na akumulátor, ktoré slúži na prenášanie akumulátora a ktoré je možné pripevniť na lezecký postroj (nie je súčasťou dodávky).

POZNÁMKA: Pred použitím lezeckého postroja pevne pripevnite puzdro na akumulátor k lezeckému postroju.

1. Nájdiť vhodné miesto pre zavesenie tohto puzdra na akumulátor na lezeckom postroji. Puzdro na akumulátor zaveste na lezecký postroj pomocou **remeňového háku (G-1)**. (Obr. G1)
2. Omotajte remeň okolo lezeckého postroja, aby ste upevnili puzdro na akumulátor na jeho miesto (obr. G2 a G3).
3. Prípojte dva **krúžky (G-2)** poistného remeňa k lezeckému postroju pomocou dvoch karabín (nie sú súčasťou dodávky), ako je to znázornené na obr. G4.

G-1	Remeňový hák	G-2	Krúžky
-----	--------------	-----	--------

POZNÁMKA:

- Pri lezení na strom pripevnite krúžok 1 a 2 poistného remeňa k lezeckému postroju pomocou karabín (nie sú súčasťou dodávky) (obr. G5).

- Keď sa náradie používa, odpojte krúžok 2 od lezeckého postroja a pílu držte dvoma rukami, aby ste mohli rezať (obr. G6).

UPEVNENIE PÍLY K PUZDRU NA AKUMULÁTOR

Pripravte **háč píly (H-2)** poistného remeňa na **očko (H-1)**. (Obr. H).

H-1	Očko	H-2	Háč Píly
-----	------	-----	----------

INŠTALÁCIA/VYBRATIE AKUMULÁTORA

POZNÁMKA: Pred prvým použitím akumulátor úplne nabite.

Inštalácia (obr. I1)

Zarovnajete rebrovanie akumulátora s montážnymi drážkami a potom akumulátor zasuniete do puzdra, kým nezapadne na miesto.

Vybratie (obr. I2)

Stlačte palcom tlačidlo pre uvoľnenie akumulátora a vytiahnite ho von.

ZAPNUTIE/ZASTAVENIE REŤAZOVEJ PÍLY

Zapnutie

1. Zarovnajete značky „▲“ na **napájacej zástrčke (J-2)** a **elektrickej zásuvke (J-1)** reťazovej píly, potom zasuniete zástrčku do reťazovej píly, kým **ZELENÉ** tesnenie na zástrčke **ÚPLNE** nezmizne v zásuvke (obr. J1).
2. Zatláčte prepínač „ON/OFF“ (ZAP/VYP) do polohy „ON“ (ZAP, obr. J2).
3. Potiahnite lopatku brzdy spätného nárazu smerom k hlavnej rukoväti do polohy
4. Posuňte **uzamykací jazýček (J-3)** smerom dopredu a potom stlačte **páčku nastavenia premenlivej rýchlosti (J-4)**. Čím viac stlačíte páčku nastavenia premenlivej rýchlosti, tým vyššia je rýchlosť otáčania reťaze (obr. J3).


J-1	Elektrická zásuvka	J-3	Uzamykací jazýček
J-2	Napájacia zástrčka	J-4	Páčka nastavenia premenlivej rýchlosti

Zastavenie

1. Uvoľníte páčku nastavenia premenlivej rýchlosti, aby ste zastavili reťazovú pílu.

POZNÁMKA: Po uvoľnení páčky nastavenia premenlivej rýchlosti sa pílová reťaz bude ešte chvíľu otáčať. Dajte pozor, aby ste sa po uvoľnení páčky nastavenia premenlivej rýchlosti a odstavení motorovej píly nedotkli reťaze.

SK

- Lopatku brzdy spätného nárazu zatlačte dopredu do zabrzdenej polohy „“.
- Prepnite prepínač „ON/OFF“ (ZAP/VYP) do polohy „OFF“ (VYP).

VAROVANIE: Počas pracovných prestávok a po ukončení práce vždy odpojte napájajúcu zástrčku od pily.

PRÍPRAVA NA REZANIE:

Správne uchopenie rukovätí (obr. K)

- Noste protišmykové rukavice s cieľom maximalizovať uchopenie a ochranu.
- Vždy uchopte prednú rukoväť ľavou rukou a hlavnú rukoväť pravou rukou.
- Prsty by mali obopínať rukoväť s palcom pod prednou rukoväťou.

VAROVANIE: Nikdy používajte úchop ľavou rukou (s prekříženými rukami) alebo akýkoľvek postoj, ktorý by posunul vaše telo alebo ruku do dráhy reťaze.

VAROVANIE: Nepúšťajte hlavný vypínač ľavou rukou, pričom pravou rukou držíte prednú rukoväť. Počas práce s reťazovou pilou nikdy nedovoľte, aby sa ktorákoľvek časť vášho tela nachádzala v dráhe reťaze (obr. L).

KONTROLA MAZANIA REŤAZE (obr. M)

POZNÁMKA: Uistite sa, že olejová nádrž reťazovej pily bola naplnená správnym objemom reťazového oleja.

- Vodiacu lištu držte nad svetlozafarbeným povrchom.
- Zapnite pilu. Ak mazanie reťaze funguje správne, po 1 minúte uvidíte na svetlozafarbenom povrchu zreteľnú vrstvu oleja.
- Ak olej na reťazi stále nie je viditeľný na svetlozafarbenom povrchu, upravte ho podľa časti „NASTAVENIE PRIETOKU OLEJA“.

PRÁCA NA STROME

VAROVANIE: Pri práci alebo lezení sa odporúča použiť pomocnú operu, ako je napr. nožný strmeň, nastaviteľné lano, ktoré zabráni hojdaniu alebo porezaniu.

Pred použitím skontrolujte nasledujúce body:

- Skontrolujte stopy opotrebovania **ozubeného kolesa (N-1)**. Ak sú stopy opotrebovania hlbšie ako 0,5 mm: obráťte sa na servisného predajcu EGO a požiadajte ho o výmenu reťazového kolesa.

- Skontrolujte tiež brzdový systém. Ak sú známky opotrebovania na **brzdovom obložení (N-2)** nerovnomerné, obráťte sa na servisného predajcu EGO a požiadajte ho o výmenu brzdového obloženia. (Obr. N)

N-1	Ozubené koleso reťaze	N-2	Brzdové obloženie
-----	-----------------------	-----	-------------------

- Skontrolujte vodiacu lištu v príslušnej časti: **ÚDRŽBA VODIACEJ LIŠTY**
- Skontrolujte reťaz pily v príslušnej časti: **ÚDRŽBA REŤAZE**
- Testovanie brzdy reťaze nájdete v príslušnej časti: **BEZPEČNOSTNÉ ZARIADENIA NA OCHRANU PRED SPÁTNÝM NÁRAZOM NA TEJTO**

REŤAZOVEJ PÍLE

- Skontrolujte ovládacie prvky v príslušnej časti: **ZAPNUTIE/ZASTAVENIE REŤAZOVEJ PÍLY**
- Skontrolujte mazanie reťaze v príslušnej časti: **KONTROLA MAZANIA REŤAZE**

ÚDRŽBA

ČISTENIE

- Po každom použití odstráňte nečistoty z reťaze a vodiacej lišty použitím mäkkej kefy. Utrite povrch reťazovej pily čistou handričkou navlhčenou v slabom mydlovom roztoku.
- Ak chcete vykonať hlbkové čistenie, demontujte zostavu bočného krytu, zložte vodiacu lištu a reťaz pily a potom pomocou mäkkej kefy dôkladne odstráňte zvyšky z vodiacej lišty, reťaze pily a hnacieho ozubeného kolesa na pohonnej hlave reťazovej pily.
- Pri výmene reťaze vždy odstráňte drevnú štiepku, piliny a nečistoty z drážky vodiacej lišty.

ODSTRÁNENIE PILÍN

- Odpojte napájajúcu zástrčku, nechajte reťazovú pilu vychladnúť a utiahnite uzáver olejovej nádrže.
- Zaistite brzdou pily.
- Pomocou kombinovaného kľúča (súčasť dodávky) uvoľnite skrutku **krytu vývodu pilín (O-1)** a otvorte ho (obr. O1).
- Piliny a triesky nahromadené v chladiacom rebrovani vyčistíte stlačeným suchým vzduchom a vyfúkajte z **prívodu vzduchu (O-2)** na opačnej strane. (Obr. O2)

O-1	Kryt vývodu pilín	O-2	Prívod vzduchu
-----	-------------------	-----	----------------

ÚDRŽBA VODIACEJ LIŠTY

Keď vodiaca lišta vykazuje známky opotrebovania, demontujte ju z pohonnej hlavy reťazovej píly a pretočte ju na opätovnú montáž (obr. P1). V takom prípade sa opotrebovanie rozdelí rovnomerne pre maximálnu životnosť lišty.

Lišta sa má čistiť (vrátane **koľajnic lišty (P-1)** a **mazacieho otvoru (P-2)**) každý deň používania a skontrolovať na opotrebovanie a poškodenie (obr. P2). Rozstrapkanie alebo tvorenie drsných okrajov na koľajniciach lišty je bežný jav pri opotrebovaní lišty. Tieto nedokonalosti treba vyhladiť pomocou pilníka hneď, ako sa objavia. Lištu, ktorá vykazuje nasledujúce nedostatky, je potrebné vymeniť.

Opotrebovanie vo vnútri koľajnic lišty umožňuje, aby sa reťaz dostala cez bočné strany.

- Zohnutá vodiaca lišta.
- Prasknuté alebo zlomené koľajnice.
- Rozšírené koľajnice.

Vodiaca lišta má na svojej špičke ozubené koleso. Ozubené koleso treba mazať raz za týždeň mazacou striekačkou, aby sa predĺžila životnosť vodiacej lišty (obr. P3 a P4). Otáčajte **nosové ozubené koleso (P-3)** a súčasne vtáčajte priesvitný žltý, **priesvitný červený alebo priesvitný tuk do mazacieho otvoru (P-4)**, až kým nebude celé ozubené koleso premazané. Do otvoru nezatlačte nečistoty.

P-1	Lištové koľajnice	P-3	Ozubené koleso
P-2	Otvor na mazanie	P-4	Otvor na mazanie

ÚDRŽBA REŤAZE

Na túto pílu používajte iba reťaze s nízkym spätným nárazom. Táto rýchlorezná reťaz zaisťuje zníženie spätného nárazu, ak je udržiavaná v dobrom stave.

Dobre naostrená reťaz píly prereže drevo bez námahy, a to aj pri veľmi malom pritlaču. Nikdy nepoužívajte tupé alebo poškodené reťaze. Tupé čepele reťazovej píly vedú k zvýšenej fyzickej námahe, zvýšenému zaťaženiu vibráciami, neuspokojivým výsledkom pílenia a zvýšenému opotrebovaniu.

Pre plynulé a rýchle rezanie je potrebné reťaz správne udržiavať. Ak sú drevné štiepky malé a prachovité, alebo reťaz musí byť počas rezania pretlačaná cez drevo, či reťaz reže do jednej strany, tak je potrebné ju naostriť. Pri údržbe reťaze zvažte nasledujúce skutočnosti:

- Nesprávny vstupný uhol bočnice môže zvýšiť riziko vážneho spätného nárazu.
- Výška podpery (hlbokomera). Ak je príliš nízka, vzniká nebezpečenstvo vzniku spätného nárazu. Nedostatočne nízka zase znižuje rezacie schopnosti.
- Nechajte reťaz nabrúsiť kvalifikovaným servisným

technikom, ak rezacie zuby narazia na tvrdé predmety, napríklad klinec a kameň, alebo boli obrúsené blatom či pieskom na drevo.

POZNÁMKA: Odporúčame, aby ste brúsenie a údržbu **pílovej reťaze** nechali vykonať v autorizovanom servise.

PREPRAVA A SKLADOVANIE

- Reťazovú pílu neskladujte ani neprepravujte, ak je zapnutý motor. Pred skladovaním alebo prepravou vždy odpojte napájaciu zástrčku.
- Pred skladovaním alebo prepravou reťazovej píly umiestnite na vodiacu lištu kryt. Nedotýkajte sa ostrých zubov reťaze.
- Pred skladovaním reťazovú pílu dôkladne vyčistite. Skladujte reťazovú pílu v interiéri, na suchom mieste, ktoré je uzamknuté a/alebo mimo dosahu detí.
- Chráňte pred agresívnymi látkami, ako sú záhradné chemikálie a rozmrazovacie soli.

Ochrana životného prostredia



WEEE (Odpad z elektrických a elektronických zariadení) Nevyhadzujte elektrické zariadenia, nabíjačku a použité akumulátory do domového odpadu! Tento výrobok odneste na autorizované recyklačné miesto a poskytnite ho na separovaný zber. Elektrické náradie sa musí odovzdať do príslušného zariadenia na ekologicky šetrnú recykliáciu.

SK

ODSTRÁNOVANIE PORÚCH

PROBLÉM	PRÍČINA	RIEŠENIE
Motor neštartuje.	<ul style="list-style-type: none"> ■ Napájacia zástrčka puzdra na akumulátor nie je pripojená k reťazovej pile. ■ Žiadny elektrický kontakt medzi puzdrom a akumulátorom. ■ Uzamykací jazýček nie je vyklopený. ■ Prepínač „ON/OFF“ (ZAP/VYP) je v polohe „OFF“ (VYP). ■ Brzda reťaze je aktívna. 	<ul style="list-style-type: none"> ■ Zapojte napájaciu zástrčku puzdra na akumulátor k reťazovej pile. ■ Odpojte akumulátor, skontrolujte kontakty a akumulátor nainštalujte naspäť. ■ Pred spustením sklopte uzamykací jazýček. ■ Prepnite prepínač „ON/OFF“ (ZAP/VYP) do polohy „ON“ (ZAP). ■ Potiahnite lopatku brzdy spätného nárazu reťaze dozadu smerom k hornej rukoväti do prevádzkovej polohy.
Reťazová píla sa zastaví počas práce.	<ul style="list-style-type: none"> ■ Akumulátor alebo reťazová píla sú príliš horúce. ■ Reťazová píla je preťažená. ■ Príliš veľa kusov dreva blokuje ventilačný otvor. ■ Akumulátor je vybitý. 	<ul style="list-style-type: none"> ■ Nechajte vychladnúť akumulátor alebo reťazovú pílu ■ Znížte zaťaženie. ■ Vyčistite piliny, pozrite si ČASŤ „ODSTRÁNENIE PILÍN“. ■ Nabite akumulátor
Brzda reťaze nezaberá	<ul style="list-style-type: none"> ■ Nečistoty bránia úplnému pohybu rukoväte brzdy spätného nárazu reťaze. ■ Možná chyba brzdy reťaze 	<ul style="list-style-type: none"> ■ Očistite špinu z vonkajšieho brzdového mechanizmu reťaze ■ Pre opravy kontaktujte zákaznický servis EGO.
Pri rezaní nedochádza k mazaniu olejom.	<ul style="list-style-type: none"> ■ Olejová nádrž reťaze je prázdna. ■ Vývod oleja reťazovej lišty je zablokovaný ■ Tuhnutie oleja pri nízkej teplote 	<ul style="list-style-type: none"> ■ Doplníte mazivo lišty a reťaze. ■ Odstráňte piliny na výstupe oleja. ■ Vymeňte za vhodný mazací olej (vhodný pre nízku teplotu)
Kontrolka nízkej hladiny oleja bliká červenou farbou alebo ukazuje neobvyklé svetlo, keď je olejová nádrž naplnená olejom.	<ul style="list-style-type: none"> ■ Špeciálny uhol použitia nástroja, ktorý spôsobuje, že olej z olejovej nádrže netečie do olejového rozvodu. ■ Neodporúčaná kategória a farba oleja. ■ Kontrolka nízkej hladiny oleja stále bliká načerveno. 	<ul style="list-style-type: none"> ■ Reťazovú pílu umiestnite na plochu a skúste to znova. ■ Použite odporúčaný priesvitný žltý, priesvitný červený alebo priesvitný olej ■ Pre opravy kontaktujte zákaznický servis EGO.
Kontrolka nízkej hladiny oleja neoznamuje málo oleja v olejovej nádrži.	<ul style="list-style-type: none"> ■ Nie je možné identifikovať kategóriu a farbu oleja. ■ V olejovej nádrži alebo olejovom vedení stále zostáva malé množstvo oleja ■ Kontrolka nízkej hladiny oleja stále nefunguje z vyššie uvedených dôvodov. 	<ul style="list-style-type: none"> ■ Použite odporúčaný priesvitný žltý, priesvitný červený alebo priesvitný olej ■ Chvíľu používajte motorovú pílu a potom opäť pozorujte kontrolku nízkej hladiny oleja ■ Pre opravy kontaktujte zákaznický servis EGO.

SK

ZÁRUKA

ZÁRUČNÁ POLITIKA EGO

Navštívte webové stránky egopowerplus.com pre úplné podmienky záručnej politiky spoločnosti EGO.

OLVASSA EL AZ ÖSSZES UTASÍTÁST!



OLVASSA EL A HASZNÁLATI ÚTMUTATÓT

⚠ Maradék kockázat! Az elektronikus készülékekkel, például pacemakerrel élő emberek a termék használata előtt kérjék ki az orvos véleményét. Az elektromos felszerelésnek a pacemakerhez közel való működtetése interferenciát vagy meghibásodást okozhat a pacemakerben.

BIZTONSÁGI SZIMBÓLUM

A biztonsági szimbólumok célja, hogy felhívják a figyelmet az esetleges veszélyekre. Nagyon figyeljen a biztonsági szimbólumokra és magyarázatokra, ill. ezek megértésére. A szimbólumok figyelmeztetéseit önmagukban nem hárítják el a veszélyeket. Az utasítások és figyelmeztetések nem helyettesítik a megfelelő balesetmegelőző intézkedéseket.

⚠ FIGYELMEZTETÉS: A szerszám használata előtt feltétlenül olvassa el a jelen használati útmutató minden biztonsági utasítását, a **"VESZÉLY"**, **"FIGYELMEZTETÉS"**, és **"FIGYELEM"** biztonsági szimbólumokat is. Az alább felsorolt utasítások be nem tartása áramütést, tűzveszélyt és/vagy súlyos személyi sérülést idézhet elő.

SZIMBÓLUM JELENTÉSE

Ezen az oldalon olyan biztonsági szimbólumok láthatók és olvashatók, amelyek megjelenhetnek a terméken. Az összeszerelés vagy működtetés előtt olvassa el, értse meg és tartsa be a gép minden utasítását.

BIZTONSÁGI SZIMBÓLUMOK



Biztonsági figyelmeztetés



Viseljen tartós anyagból készült, erős munkakesztyűt



Viseljen csúszásmentes biztonsági lábbelit



Ügyeljen a visszarúgásra - figyeljen arra, hogy a láncvezető hegye ne érintkezzen semmilyen tárggyal



Láncvezető hegy visszarúgása - A hegy használata esetében a láncvezető hirtelen felfelé vagy hátrafelé ugorhat, ami súlyos sérülést okozhat.



Az elhasznált elektromos termékek nem helyezhetők a háztartási hulladékok közé. Vigye hivatalos újrahasznosító telephelyre.

V Volt

— — — Egyenáram



A sérülések kockázatának csökkentése érdekében használónak a termék használata előtt el kell olvasnia és meg kell értenie a használati útmutatót.



Viseljen testhezálló ruházatot. Ne viseljen sálát, nyakkendőt vagy ékszereket



Viseljen szorosan záródó védőszemüveget, fül-dugót vagy fülvédőt, és állszíjjal ellátott kemény védősisakot



Kétkézes tartás - Mindig használja mindkét kezét, amikor a láncfűrész működteti.



Információ a láncvezetőről.



Ne tegye ki esőnek.



Zaj



CE

HU

JELLEMZŐK

Feszültség	56 V	
Javasolt működési hőmérséklet:	-15°C - 40°C	
Javasolt tárolási hőmérséklet:	-40°C - 70°C	
Optimális töltési hőmérséklet	5°C - 40°C	
Vágási hossz	300 mm	
Lánc sebessége	20 m/s	
Lánc fogosztása	3/8" (9,5 mm)	
Lánc idom	1,1 mm	
Fűrészlánc típusa	AC1200 (ajánlott) AC1400 (kompatibilis) AC1600 (kompatibilis)	
Láncvezető típusa	AG1200 (ajánlott) AG1400 (kompatibilis) AG1600 (kompatibilis)	
Súly (akkumulátoregység és lánc tok nélkül)	3,5 kg	
Mért hangteljesítményszint L_{WA}	98,8 dB(A) K=3 dB(A)	
Hangnyomásszint munkahe-lyzetben L_{PA}	88,1 dB(A) K=3 dB(A)	
Garantált hangteljesítményszint L_{WA} (2000/14/EK szerint)	102 dB(A)	
Vibráció a_n	Elülső fogantyú	1,73 m/s ² K= 1,5 m/s
	Fő fogantyú	2,21 m/s ² K= 1,5 m/s

- A névleges rezgési összérték mérése standard bevizsgálási módszerrel történt, és használatával a szerszámok egymással összehasonlíthatók.
- A névleges rezgési összérték a kockázat előzetes felméréséhez is felhasználható.

MEGJEGYZÉS: A rezgés-kibocsátás az elektromos szerszám aktuális használata közben eltérhet attól a névleges értéktől, amellyel a szerszámot használják: a kezelő védelme érdekében használnak kesztyűt és hallásvédőt kell használnia működés közben.

LEÍRÁS

ISMERJE MEG A LÁNCFŰRÉSZT (A1 ábra)

1. Fűrészlánc
2. Lánc visszarúgás elleni fékfogantyú
3. Rögzítőnyelv
4. Főfogantyú
5. Állítható sebességszabályozó kapcsoló
6. Fűzőszem
7. Akkumulátor indikátor
8. Alacsony olaj indikátor
9. Elülső fogantyú
10. Olajtartály sapka
11. Láncvezető
12. Olajozó nyílás
13. Láncvezető
14. Láncfeszítő csavar
15. Biztonsági BE-KI kapcsoló
16. Láncvezető csap
17. Láncvezető csavar
18. Oldalsó burkolat
19. Olajáramlás beállító csavar burkolat
20. Poreltávolító burkolat
21. Kioldó mechanizmus
22. Elektromos érintkezők
23. Akkumulátor kioldógomb
24. Szij kampó
25. Kapocs
26. Szij
27. Elektromos kábel burkolatban
28. Gyűrű 1
29. Fűrész kampó
30. Csatlakozódugó
31. Gyűrű 2
32. Lánc tok
33. Kombinált kulcs

A CSOMAG TARTALMA (A1 ÁBRA)

ÖSSZESZERELÉS

A LÁNCVEZETŐ ÉS A LÁNC ÖSSZESZERELÉSE/ SZÉTSZERELÉSE

▲ FIGYELMEZTETÉS: Szerelés vagy a termék karbantartása előtt mindig húzza ki az elektromos csatlakozódugót, és viseljen védőkesztyűt.

▲ FIGYELMEZTETÉS: Olvassa el az elektromos kéziszerszámhoz mellékelt összes biztonsági figyelmeztetést, utasítást, ábrát és specifikációt. Az alább felsorolt utasítások be nem tartása áramütést, tűzveszélyt és/vagy súlyos sérülést idézhet elő.

Őrizzen meg minden figyelmeztetést és utasítást, hogy később is el tudja majd venni.

1. Ügyeljen arra, hogy a lánc visszarágás elleni fékfogantyú állásban legyen
2. Csavarja ki a **láncvezető csavart (A-17)** az óramutató járásával ellentétes irányban, ekkor levehető az **oldalsó burkolat (A-18)**.
3. Helyezze a fűrészláncot hurok alakban sima felületre, és egyenesítse ki az esetleges megtöréseket. (B1 ábra)
4. Helyezze a **láncajtó szemeket (B-1)** a láncvezető **hornyába (B-2)**, és a láncvezető hátoldalán a lánc egy hurkot képezzen. (B2 ábra)
5. Tartsa pozícióban a láncot a láncvezetőn, és helyezze a hurkot a meghajtófej **lánckerékére (B-3)** és ellenőrizze a következő tételeket (B3 ábra):
 - a) A láncajtó szemek beilleszkednek a **lánckerék (B-3)** fogába.
 - b) A **láncfeszítőcsavar (B-4)** és a **láncvezető csap (B-5)** a láncvezető a hornyában található. A **feszítőcsap (B-6)** a láncvezető lyukában helyezkedik el.

MEGJEGYZÉS: Győződjön meg arról, hogy a fűrészlánc fogain lévő nyílak előre felé mutatnak (B3 ábra).

6. A „**FÜRÉSZLÁNC MEGFESZÍTÉSE**” című részben nézzen utána, hogy a lánc megfelelően legyen összeszerelve kötés nélkül.
7. Illessze össze az oldalsó burkolaton lévő két **láncvezető rudak (B-7)** a fűrészben lévő megfelelő **lyukakkal (B-8)**, majd illessze rá az oldalsó burkolatot. (B4 ábra)
8. Húzza meg a láncvezető csavart.

B-1	Láncajtó szemek	B-5	Láncvezető csap
B-2	Horny	B-6	Láncfeszítő csap
B-3	Lánckerék	B-7	Láncvezető rudak
B-4	Láncfeszítő csavar	B-8	Lyukak

MEGJEGYZÉS: Ha a láncvezetőt ki kell cserélni, akkor szerelje le az oldalsó burkolatot és szerelje vissza az új láncvezetővel a C ábrán látható módon.

MŰKÖDTETÉS

ALKALMAZÁS

- Ez a láncfűrész kifejezetten arboristák számára, a fák karbantartására készítettük.



Ez a láncfűrész csak olyan személyek használhatják, akik különleges gyakorlattal rendelkeznek a fák karbantartásának területén.

MEGJEGYZÉS: Javasoljuk, hogy a láncfűrész első használó személy először fűrészbakon vagy vágóállványon gyakorolja a fatörzsek vágását.

A FÜRÉSZLÁNC MEGFESZÍTÉSE

▲ FIGYELMEZTETÉS: Soha ne érjen a lánchoz, és ne állítsa be, amikor jár a motor. A fűrészlánc nagyon éles; mindig viseljen védőkesztyűt, amikor karbantartást végez a láncon.

A fűrészlánc a normális fűrészelési művelet során kinyúlik vagy összehúzódik. Ennek eredményeképpen megváltozik a lánc feszültsége. Munka közben rendszeresen ellenőrizze a lánc feszítését, és ha szükséges, állítsa újra be.

1. Kapcsolja ki a láncfűrész, húzza be a láncfékét és húzza ki az elektromos csatlakozódugót.
2. Lazítsa meg a láncvezető csavart úgy, hogy a láncvezető szabadon mozoghasson, ekkor lehet finombeállítást végezni.
3. Tartsa felfelé a láncvezető hegyét, és állítson mindaddig a feszítőcsavaron, míg a következő pontokat el nem éri:
 - a) A lánc belógása a láncvezető közepén körülbelül: 1-2 mm (D ábra).
 - b) Engedje ki a láncfékét, és győződjön meg arról, hogy a láncot két ujjal el lehet húzni a láncvezetőn.

MEGJEGYZÉS: Ezt a lépést óvatosan hajtsa végre, hogy elkerülje a személyi sérüléseket, amelyeket az okozna, hogy ez az egyenáramú motor mágneses anyagokat tartalmaz; a hagyományos üzemanyag-hajtású láncfűrészhez képest egy bizonyos fokú ellenállást kell éreznie, amikor két ujjal elhúzza a láncot. Ez nem meg olyan könnyen, mint az üzemanyag-hajtású láncfűrész esetében.

4. Tartsa felfelé a láncvezető hegyét, és húzza meg erősen a láncvezető csavart.

MEGJEGYZÉS: Ha a lánc belógása a láncvezető közepén nem 1-2 mm körül van, állítsa ismét be a láncfeszítést.

AZ OLAJTARTÁLY FELTÖLTÉSE

1. Húzza ki az elektromos csatlakozódugót a láncfűrészről.
2. Fektesse a láncfűrész az oldalára egy stabil, sima felületen úgy, hogy az olajtartály sapkája felfelé álljon. Nyissa ki az olajtartály sapkáját. Ha túl szorosan zár, használjon egy laposfejű kombinált kulcsot (mellékeltve) a meglazítására (E ábra).

HU

- Óvatosan öntse az olajat az olajtartályba. Töltse fel a betöltőnyak aljáig. Törölje le felesleges olajat, és zárja vissza a sapkát.

MEGJEGYZÉS:

- A láncfűrész a vásárláskor nincs feltöltve olajjal. Használat előtt fel kell tölteni a tartályt olajjal. A lánc működés közben automatikusan bekenésre kerül a láncolajjal.
- Ez speciálisan alacsony sűrűlódáshoz és gyorsabb vágásra készült.
- Soha ne használjon olyan olajat vagy egyéb kenőanyagot, amelyeket nem specifikusan a lánckerékhez és a lánchoz terveztek. Ez az olajrendszer eltömődéséhez vezethet, ami a lánckerék és a lánc idő előtti kopását okozhatja.

AZ OLAJÁRAMLÁS SZABÁLYOZÁSA (F ábra)

- Ez a fűrész egy **olajáramlás-beállító csavarral (F-1)** rendelkezik, ami a szerszám alján helyezkedik el; ez a lánc, a lánckerék és a vágórendszer kenését biztosító olaj áramlását szabályozza. A burkolaton meg van jelölve a nyílak irányával, hogyan lehet az olajáramlást növelni vagy csökkenteni.

LED JELZŐLÁMPA A LÁNCFŰRÉSZEN

A láncfűrész 2 LED jelzőlámpával van felszerelve, hogy jelezzék az olajállapotot és az akkumulátoregység(ek) töltési szintjét.

LED jelzőlámpa	Jelentés	Művelet
Alacsony olajszint jelzőlámpa (A-8)	Pirosan villog	Olajhiány
	Kialudt	Olaj rendben
Akkumulátor jelzőlámpa (A-7)	Zölden világít	Akkumulátor rendben
	Villogó zöld	Az akkumulátoregység majdnem lemerült, és azonnal fel kell tölteni.

AZ AKKUMULÁTOR-TARTÓ FELSZERELÉSE AZ EMELŐHEVEDERRE

Ez a láncfűrész akkumulátor-tartóval van ellátva, ennek segítségével lehet vinni az akkumulátoregységet, és ezzel lehet felszerelni egy emelőhevederre (nem tartozék).

MEGJEGYZÉS: Szerelje fel erősen az akkumulátor-tartót az emelőhevederre, mielőtt felvenné az emelőhevedert.

- Keressen egy alkalmas pontot, ahol felkötheti ezt az akkumulátor-tartót az emelőhevederre; az emelőhevederen lévő akkumulátor-tartót a **szíjkampóval (G-1)** teheti fel. (G1 ábra)
- Kösse a szíjat az emelőheveder köré, ezzel rögzíti a helyén az akkumulátor-tartót (G2 és G3 ábra).
- Kösse rá a biztonsági heveder két **gyűrűjét (G-2)** az emelőhevederhez két karabiner segítségével (nem tartozék), a G4 ábrán látható módon.

G-1	Szík kampó	G-2	Gyűrűk
-----	------------	-----	--------

MEGJEGYZÉS:

- Amikor egy fára mászik, kösse rá a biztonsági heveder 1 és 2 jelű gyűrűjét az emelőhevederhez két karabiner segítségével (nem tartozék), a G5 ábrán látható módon.
- Amikor használatban van a szerszám, kapcsolja le a 2 jelű gyűrűt az emelőhevederről, és tartsa a fűrész két kézzel, így végezze el a vágási műveletet (G6 ábra).

A FŰRÉSZ RÖGZÍTÉSE AZ AKKUMULÁTOR-TARTÓHOZ

Kösse rá a biztonsági heveder **fűrész kampóját (H-2) a fűzőszemre (H-1)**. (H ábra)

H-1	Fűzőszem	H-2	Fűrész Kampó
-----	----------	-----	--------------

AZ AKKUMULÁTOREGYSÉG BERAKÁSA/KIVÉTELE

MEGJEGYZÉS: Az első használat előtt teljesen töltse fel az akkumulátoregységet.

Berakás (I1 ábra)

Illesse össze az akkumulátoregység bordáit a szerelőnyílásokkal, majd csúsztassa be az akkumulátoregységet az akkumulátor-tartóba, míg be nem áll a helyére.


Kivétel (I2 ábra)

Az akkumulátoregység eltávolításához nyomja meg az akkumulátor kioldógombot a hüvelykujjával.

A LÁNCFŰRÉSZ INDÍTÁSA/LEÁLLÍTÁSA

Indítás

- Illesse össze az „▲” jelöléseket az **elektromos csatlakozódugón (J-2)** és a láncfűrész **elektromos aljzatán (J-1)**, majd dugja be a dugót a láncfűrészbe annyira, hogy a dugón lévő ZÖLD bélyeg TÖKÉLETESEN eltűnjön az aljzatban (J1 ábra).
- Nyomja a biztonsági „BE/KI” kapcsolót **„BE”** állásba (J2 ábra).


- Húzza a visszarúgás elleni fékfogantyút a főfogantyú felé a  állásba.
- Tolja előre a **rögzőtönyelvet (J-3)**, majd nyomja meg az **állítható sebességszabályozó kapcsolót (J-4)**. Minél jobban húzza felfelé az állítható sebességszabályozó kapcsolót, annál nagyobb lesz a fűrészlánc forgási sebessége (J3 ábra).

J-1	Elektromos aljzat	J-3	Rögzőtönyelv
J-2	Csatlakozódugó	J-4	Állítható sebességszabályozó kapcsoló

Leállítás

- Engedje ki az állítható sebességszabályozó kapcsolót a láncfűrész megállítása céljából.

MEGJEGYZÉS: A fűrészlánc még egy kis ideig forogni fog azután is, hogy eleresztette az állítható sebességszabályozó kapcsolót. Ügyeljen arra, hogy ne érintse meg meg a fűrészláncot az állítható sebességszabályozó kapcsoló kiengedése után és a láncfűrész letevése során.

- Tolja a visszarúgás elleni fékfogantyút előre a fékezési állás  felé.
- Fordítsa a "BE-KI" kapcsolót "KI" állásba.

▲ FIGYELMEZTETÉS: Mindig csatlakoztassa le az elektromos dugót a láncfűrészről a munkaszünetek során és a munka befejezésekor.

VÁGÁS ELŐKÉSZÍTÉSE

A fogantyúk helyes megfogása (K ábra)

- Viseljen csúszásgátló kesztyűt a legjobb fogás és védelem érdekében.
- Az előlső fogantyút mindig a bal kezével, a fő fogantyút pedig a jobb kezével fogja.
- Az ujjai fogják körbe a fogantyút, a hüvelykujja az első fogantyú alatt legyen.

▲ FIGYELMEZTETÉS: Soha ne használjon balkezes fogást (fordított fogás), és ne vegyen fel olyan testhelyzetet, amelyben láncfűrész a teste vagy a karja vonalában van.

▲ FIGYELMEZTETÉS: Ne működtesse a sebességszabályozó kapcsolót a bal kezével, és miközben az előlső fogantyút a jobb kezével tartja. Sohase engedje, hogy bármely testrésze egy vonalban legyen a láncsal, amikor működteti a láncfűrész (L ábra).

A LÁNCKENÉS ELLENŐRZÉSE (M ábra)

MEGJEGYZÉS: Győződjön meg arról, hogy a láncfűrész olajtartálya megfelelő mennyiségű láncolajat tartalmaz.

- Tartsa a láncvezetőt a világos színű felület fölött.
- Kapcsolja be a fűrész. A világos színű felületen jól lehet látni az olajsíntet 1 perc után, ha a lánckenés megfelelően működik.
- Ha nem látja a világos színű felületen az olajsíntet, nézzen utána az „**OLAJÁRAMLÁS BEÁLLÍTÁSA**” című részben és állítsa be.

MŰKÖDTETÉS A FÁBAN

▲ FIGYELMEZTETÉS: ha dolgozik vagy mászik, ajánlatos egy kiegészítő támasztékot használni, például egy lábtartó kengyelt vagy állítható lábtartó kötelet, ami megakadályozza lengést és a vágási baleseteket.

Mielőtt használná, ellenőrizze a következő pontokat:

- Ellenőrizze a **láncvezetőn (N-1)** lévő kopási jeleket; ha a kopási jelek 0,5 mm-nél mélyebbek, lépjen kapcsolatba az EGO szervizzel a láncvezető kicserélése érdekében.
- Ellenőrizze a fékrendszert is, ha a kopási jelek a **fékbetéten (N-2)** egyenlőtlenek, lépjen kapcsolatba az EGO szervizzel a fékbetét kicserélése érdekében. (N ábra)

N-1	Lánckerék	N-2	Fékbetét
-----	-----------	-----	----------

- A láncvezető ellenőrzése, lásd a vonatkozó szakaszt: **A LÁNCVEZETŐ KARBANTARTÁSA**
- A fűrészlánc ellenőrzése, lásd a vonatkozó szakaszt: **A LÁNC KARBANTARTÁSA**
- A láncfék ellenőrzése, lásd a vonatkozó szakaszt: **VISSZARÚGÁS ELLENI BIZTONSÁGI ESZKÖZÖK**

EZEN A LÁNCFÜRÉSEN

- A szabályozók ellenőrzése, lásd a vonatkozó szakaszt: **A LÁNCFÜRÉSZ INDÍTÁSA/LEÁLLÍTÁSA**
- A lánckenés ellenőrzése, lásd a vonatkozó szakaszt: **A LÁNCKENÉS ELLENŐRZÉSE**

KARBANTARTÁS

TISZTÍTÁS

- Minden használat után tisztítsa le a szennyeződést a láncról és a láncvezetőről egy puha kefével. Törölje le a láncfűrész felületét egy tiszta, kímélő szappanos oldattal megnedvesített ruhával.

- Az alaposabb tisztításhoz távolítsa el az oldalsó burkolatot, vegye le a láncvezetőt és a fűrészláncot, majd egy puha kefe segítségével alaposan távolítsa el a hulladékot a láncvezetőből, a fűrészláncról és a láncfűrész elektromos részéről, a hajtásrészről.
- Mindig tisztítsa le a fafogácsokat, fűrészport és szennyeződést a láncvezető burkolatról, amikor kicseréli a fűrészláncot.

PORELTÁVOLÍTÁS

1. Húzza ki a hálózati dugót, hagyja lehűlni a láncfűrész, és húzza meg az olajtartály sapkáját.
2. A fűrészfék kiengedése
3. A **poireltávolító burkolat (O-1)** csavarjának meglazítására használjon egy kombinált kulcsot (mellékelve) (O1 ábra).
4. Sűrített levegő használatával távolítsa el a hűtőszármányban felgyülemlett fűrészport és fafogácsot, a **levegőbemenet (O-2)** ellenkező oldaláról befújva. (O2 ábra).

O-1	Poireltávolító burkolat	O-2	Levegőbemenet
-----	-------------------------	-----	---------------

A LÁNCVEZETŐ KARBANTARTÁSA

Ha a láncvezető kopás jeleit mutatja, akkor szerelje le a láncfűrész fejről, és a visszaszereléshez fordítsa meg (P1 ábra); ebben az esetben a láncvezető kopása megoszlik a maximális élettartam érdekében.

A láncvezetőt (a **lánc-sínekkel együtt (P-1)**) és a **kenőnyílást (P-2)** minden nap a használat után meg kell tisztítani, és ellenőrizni kell a kopást, valamint a sérüléseket (P2 ábra). A láncvezető sínek lesimítása és sorjátlanítása normál folyamat a láncvezető kopása esetén. Az ilyen hibákat akkor kell lecsiszolni egy reszelővel, amikor jelentkeznek. A láncvezetőt a következő hibák esetén ki kell cserélni.

Kopás a láncvezető síneken, ami lehetővé teszi, hogy a lánc az oldalára feküdjön.

- Elgömbült láncvezető.
- Megrepedt vagy törött sínek.
- Szétnyílt sínek.

A láncvezető végén a lánckerék a csúcán áll. A lánckereket hetente be kell kenni zsírozó fecskendővel a láncvezető élettartamának meghosszabbítása érdekében (P3 és P4 ábra). Fordítsa meg az **orr-lánckereket (P-3)**, miközben **áttetsző sárga, áttetsző vörös vagy áttetsző** zsírt pumpál a **kenőnyílásba (P-4)**, míg az egész lánckerék fel nem telik az új zsírral. Ne nyomja be a piszkot a nyílásba.

P-1	Láncvezető sínek	P-3	Láncvezető
P-2	Olajozó nyílás	P-4	Olajozó nyílás

A LÁNC KARBANTARTÁSA

Csak alacsony visszarúgású fűrészláncot használjon ehhez a láncfűrészhez. A gyors vágólánc csökkentti a visszarúgást, ha megfelelően van karbantartva.

A megfelelően éles fűrészlánc könnyedén átvágja a fát kis nyomással is. Soha ne használjon tompa vagy sérült fűrészláncot. A tompa fűrészlánc nagyobb fizikai terhelést jelent, megnő a vibrációs terhelés, a vágás eredménye nem kielégítő, és erősebb a kopás.

A könnyű és gyors vágáshoz a láncot megfelelően kell karbantartani. A láncot meg kell élezni, ha a fafogácsok kicsik és porszerűek, a láncot át kell erőltetni a fán vágás közben, vagy a lánc az egyik oldalon jobban vág. A lánc karbantartása alatt vegye figyelembe a következőket:

- Az oldallapok nem megfelelő dőlési szöge megnöveli a visszarúgás esélyét.
- Mélységkorlátozó mozgásteret. A túl alacsony megnöveli a visszarúgás esélyét. A nem elég alacsony csökkenti a vágásképeséget.
- Ha a fogak kemény tárgyakra ütköznek, például kapcsokra vagy kőekbe, vagy a fán lévő iszap vagy homok kidörzsölte, akkor a láncot szakképzett szerviztechnikusnak kell megéleznie.

FIGYELMEZTETÉS: javasoljuk, hogy a **fűrészlánc** élezését és karbantartását szakszervizben végeztessék el.

SZÁLLÍTÁS ÉS TÁROLÁS

- Működés közben ne szállítsa a láncfűrész. Tárolás vagy szállítás előtt mindig húzza ki a csatlakozódugót.
- Mindig helyezze a láncvezető tokot a láncvezetőre, mielőtt elteszi vagy szállítja a láncfűrész. Legyen elővigyázatos, ne érjen a lánc éles fogaihoz.
- Tárolás előtt alaposan tisztítsa meg a láncfűrész. A láncfűrész beltéren, olyan száraz helyen tárolja, amely le van zárva, és/vagy amelyhez gyermekek nem tudnak hozzáférni.
- Tartsa távol maró hatású szerekől, például kerti vegyszerektől, és jégmentesítő sótól.

Környezetvédelem



WEEE (Elektromos és elektronikus berendezések hulladékai) Ne dobja az elektromos felszerelést, az elhasznált akkumulátort és a töltőt a háztartási hulladékok közé! Vigye hivatalos újrahasznosító telephelyre, és tegye hozzáférhetővé a szelektív gyűjtéshez. Az elektromos szerszámokat környezetbarát újrahasznosító üzembe kell vinni.

HIBAELHÁRÍTÁS

PROBLÉMA	OK	MEGOLDÁS
A motor nem indul el.	<ul style="list-style-type: none"> Az akkumulátor-tartó elektromos csatlakozó dugója nem csatlakoztatva a láncfűrészhez. Nincs elektromos kapcsolat az akkumulátor-tartó és az akkumulátor között. A rögzítőnyelv nincs felhajtva. A "BE-KI" kapcsoló "KI" állásban van. A láncfék nem illeszkedik. 	<ul style="list-style-type: none"> Dugja be az akkumulátor-tartó elektromos csatlakozó dugóját a láncfűrészbe. Vegye ki az akkumulátort, ellenőrizze az érintkezőket, és helyezze vissza az akkumulátoregységet. Hajtsa fel a rögzítőnyelvet indítás előtt. Állítsa a "BE-KI" kapcsolót "BE" állásba. Húzza hátrafelé a lánc visszarúgás elleni fékfogantyút az első fogantyú felé, hogy működési helyzetbe kerüljön.
A láncfűrész munka közben leáll.	<ul style="list-style-type: none"> Az akkumulátoregység vagy láncfűrész túl forró. A láncfűrész túlterhelt. Túl sok faforgács elzárja a szellőző csatornát. Az akkumulátoregység lemerült. 	<ul style="list-style-type: none"> Hűtse le az akkumulátoregységet vagy a láncfűrész. Csökkentse a terhelést. A por kitisztítása, lásd a "POR ELTÁVOLÍTÁSA" részt. Töltse fel az akkumulátoregységet
A láncfék nem illeszkedik	<ul style="list-style-type: none"> A szennyeződés megakadályozza a visszarúgás elleni fékfogantyú teljes mozgását. A láncfék esetleg meghibásodott. 	<ul style="list-style-type: none"> Tisztítsa meg a szennyeződésektől a külső láncfék mechanizmust. A javításhoz forduljon az EGO ügyfélszolgálatához.
Vágás közben nincs olajkenés.	<ul style="list-style-type: none"> A lánc olajtartály üres. A láncvezető olaj-kimenete el van dugulva. Megdermedt az olaj alacsony hőmérsékleten. 	<ul style="list-style-type: none"> Láncvezető és lánc kenőanyag feltöltése. Távolítsa el a port az olaj-kimenetből. Cserélje ki megfelelő kenőolajra (ami alkalmas alacsonyabb hőmérsékletekhez)
Az alacsony olajszintet mutató lámpa piros színben villog, vagy szokatlan fényt mutat akkor, amikor az olajtartály fel van töltve olajjal.	<ul style="list-style-type: none"> A szerszám speciális használati szöge miatt az olajtartályban lévő olaj nem tud belépni az olajvezetékbe. Az olaj kategóriája és színe nem az ajánlott. Az alacsony olajszint jelzőlámpa még mindig pirosan villog. 	<ul style="list-style-type: none"> Tegye le a láncfűrész egy vízszintes részre, majd próbálja meg újra. Használja az ajánlott áttetsző sárga, áttetsző vörös vagy áttetsző olajat. A javításhoz forduljon az EGO ügyfélszolgálatához
Az alacsony olajszintet mutató lámpa nem működik akkor, amikor az olajtartályban nincs elég olaj.	<ul style="list-style-type: none"> Az olaj kategóriája és színe nem azonosítható. Még egy kis mennyiségű olaj van az olajtartályban vagy az olajvezetékben. Az alacsony olajszintet mutató lámpa nem működik a fenti okok következtében. 	<ul style="list-style-type: none"> Használja az ajánlott áttetsző sárga, áttetsző vörös vagy áttetsző olajat. A láncfűrész működtesse egy kis ideig, majd figyelje meg újból az olajszint-jelzőt Contact EGO Customer Service for repair.

HU

GARANCIA

EGO GARANCIÁLIS FELTÉTELEK

Kérjük, látogasson el az egopowerplus.com oldalra, ahol megtalálja a részletes EGO garanciális feltételeket.

CITIȚI TOATE INSTRUCȚIUNILE!



CITIȚI MANUALUL DE INSTRUCȚIUNI

⚠️ Riscuri reziduale! Persoanele cu dispozitive electronice precum stimulatoare cardiace ar trebui să se consulte cu medicul (medicii) înainte de a utiliza acest produs. Funcționarea echipamentelor electrice în imediata apropiere a unui stimulator cardiac ar putea provoca interferențe sau defecțiuni ale stimulatorului cardiac.

SIMBOL DEEE

Scopul simbolurilor privind siguranța este să vă atragă atenția asupra pericolelor posibile. Simbolurile privind siguranța și explicațiile furnizate cu acestea merită atenția și înțelegerea dumneavoastră. Avertizările simbolurilor nu elimină, prin ele însele, niciun pericol. Instrucțiunile și avertizările pe care le oferă acestea nu pot înlocui măsurile adecvate de prevenire a accidentelor.

⚠️ AVERTISMENT: Asigurați-vă că ați citit și înțelegiți toate instrucțiunile privind siguranța din acest Manual de utilizare, inclusiv toate simbolurile de alertă privind siguranța precum „PERICOL”, „AVERTIZARE” și „ATENȚIE” înainte de a utiliza această sculă. Nerespectarea tuturor instrucțiunilor enumerate mai jos poate duce la electrocutare, incendiu și/sau vătămări corporale grave.

SEMNIFICAȚIA SIMBOLURILOR

Această pagină descrie simbolurile de siguranță ce pot apărea pe acest produs. Citiți, înțelegiți și respectați toate instrucțiunile de pe mașină înainte de a o asambla și de a o utiliza.

SIMBOLURI PRIVIND SIGURANȚA



Alertă privind siguranța



Purtați mănuși de lucru rezistente din material durabil



Purtați încălțăminte de protecție antiderapantă



Fiiți conștienți de recul - Evitați contactul vârfului șinei de ghidare cu vreun obiect



Reculul vârfului șinei de ghidare - Contactul vârfului poate cauza deplasarea bruscă în sus și înapoi a șinei de ghidare, putând cauza vătămări grave.



Deșeurile produselor electrice nu trebuie să fie eliminate împreună cu deșeurile menajere.



Predați-le unui punct de reciclare autorizat.

V

Volt



Curent continuu



Pentru a reduce riscul de vătămare, utilizatorul trebuie să citească și să înțeleagă manualul de instrucțiuni înainte de a utiliza acest produs.



Purtați îmbrăcăminte potrivită. Nu purtați eșarfă, cravată sau bijuterii.



Purtați ochelari de protecție, antifoane de protecție a auzului sau căști exterioare și o cască de protecție cu curea pentru bărbie.



Țineți cu două mâini - Utilizați întotdeauna ambele mâni când utilizați ferăstrăul cu lanț.



Informația privind șina de ghidare.



A nu se expune la ploaie.



Zgomot



CE

RO

SPECIFICAȚII

Tensiune	56 V	
Temperatură de funcționare recomandată:	-15°C-40°C	
Temperatură de depozitare recomandată:	-40°C-70°C	
Temperatură optimă de încărcare	5°C-40°C	
Lungime de tăiere	300 mm	
Viteza lanțului	20 m/s	
Pasul lanțului	3/8" (9,5 mm)	
Adâncime dinte lanț	1,1 mm	
Tip de lanț de ferăstrău	AC1200 (Recomandat) AC1400 (Compatibil) AC1600 (Compatibil)	
Tip șină de ghidare	AG1200 (Recomandat) AG1400 (Compatibil) AG1600 (Compatibil)	
Greutate (fără set de acumulatori, teacă de lanț)	3,5 kg	
Nivel de putere sonoră măsurată L_{WA}	98,8 dB(A) K=3 dB(A)	
Nivel de presiune sonoră în poziția operatorului L_{PA}	88,1 dB(A) K=3 dB(A)	
Nivel de putere sonoră garantată L_{WA} (conform directivei 2000/14/CE)	102 dB(A)	
Vibrații a_h	Mâner frontal	1,73 m/s ² K= 1,5 m/s
	Mâner principal	2,21 m/s ² K= 1,5 m/s

- Valoarea totală declarată a vibrațiilor a fost măsurată în conformitate cu o metodă standard de testare și poate fi utilizată pentru compararea sculelor între ele;
- Valoarea totală declarată poate fi utilizată în evaluarea preliminară a expunerii.

OBSERVAȚIE: Vibrațiile emise în timpul utilizării efective a sculei electrice pot diferi față de valoarea celor declarate pentru scula utilizată; Pentru protejerea operatorului, utilizatorul trebuie să poarte mănuși și protecții auditive în timpul utilizării efective a produsului.

DESCRIERE

DESCRIEREA FERĂSTRĂULUI DUMNEAVOASTRĂ CU LANȚ (Fig. A1)

- Lanț ferăstrău
- Pedală de frână pentru recul
- Manetă de blocare
- Mâner principal
- Declanșator cu viteză variabilă
- Ochet
- Indicator de acumulator
- Indicator de nivel scăzut de ulei
- Mâner frontal
- Capac rezervor de ulei
- Șină de ghidare
- Orificiu de lubrifiere
- Roată dințată
- Șurub de tensionare a lanțului
- Comutator de siguranță ON-OFF (pornit-oprit)
- Bolț de ghidare
- Piuliță pentru șină
- Ansamblul apărătorii laterale
- Capac de șurub de reglare a debitului de ulei
- Capac de îndepărtare a prafului
- Mecanism de ejectare
- Contacte electrice
- Buton de detașare a acumulatorului
- Cârlig de centură
- Cataramă
- Curea
- Cablu cu husă
- Inelul 1
- Cârlig pentru ferăstrău
- Fișă de alimentare
- Inelul 2
- Teacă pentru lanț
- Cheie combinată

LISTA COMPONENTELOR (FIG. A1)

ASAMBLARE

ASAMBLAREA/DEMONTAREA ȘINEI DE GHIDARE ȘI A LANȚULUI

⚠️ AVERTISMENT: Deconectați întotdeauna fișa de alimentare și purtați mănuși de protecție înainte de a asambla sau de a întreține produsul.

⚠️ AVERTISMENT: Citiți toate instrucțiunile, avertizările de siguranță, ilustrațiile și specificațiile livrate împreună cu această sculă electrică.

Nerespectarea tuturor instrucțiunilor enumerate mai jos se poate solda cu șoc electric, incendiu și/sau vătămare corporală gravă.

Păstrați toate avertizările și instrucțiunile pentru consultare ulterioară.

1. Asigurați-vă că pedala frânei de recul este setată pe poziția .
2. Deșurubați **piulița pentru șină (A-17)** în sens invers acelor de ceasornic pentru a scoate **ansamblul capacului lateral (A-18)**.
3. Așezați lanțul de ferăstrău într-o buclă pe o suprafață dreaptă și îndreptați orice răsuciri. (Fig. B1)
4. Amplasați **verigile de antrenare (B-1)** pe **canelura** șinei de ghidare **(B-2)** și efectuați o buclă din lanț pe spatele șinei. (Fig. B2)
5. Mențineți lanțul poziționat pe șina de ghidare și amplasați bucla lanțului în jurul **roții de lanț (B-3)** de pe capul de antrenare și verificați următoarele elemente (Fig. B3):
 - a) Verigile de antrenare a lanțului sunt așezate în dinții **roții de lanț (B-3)**.
 - b) **Șurubul de tensionare (B-4)** și **șurubul de ghidare (B-5)** se află în fanta șinei de ghidare. **Știftul de tensionare (B-6)** este cuplat în gaura șinei de ghidare.

OBSERVAȚIE: Asigurați-vă că direcția săgeților de pe dinții lanțului de ferăstrău este întotdeauna orientată înainte (Fig. B3).

6. Consultați secțiunea „TENSIONAREA LANȚULUI DE FERĂSTRĂU” pentru a vă asigura că lanțul este asamblat corespunzător, fără să fie blocat.
7. Aliniați două **tije de ghidare (B-7)** ale ansamblului capacului lateral cu **orificiile** respective **(B-8)** din ferăstrău, apoi montați ansamblul capacului lateral. (Fig. B4)
8. Strângeți piulița pentru șină.

B-1	Verigi de antrenare a lanțului	B-5	Bolț de ghidare
B-2	Canelură	B-6	Știft de tensionare a lanțului
B-3	Roată de lanț	B-7	Tije de ghidare
B-4	Șurub de tensionare a lanțului	B-8	Orificii

OBSERVAȚIE: În cazul care șina de ghidare trebuie înlocuită, demontați ansamblul capacului lateral și reasamblați-l pe noua șină de ghidare conform ilustrațiilor din Fig. C.

FUNCȚIONARE

APLICARE

- Acest ferăstrău cu lanț este conceput special pentru tăierea și întreținerea arborilor.



Acest ferăstrău trebuie utilizat numai de persoane care sunt special instruite în lucrările de întreținere a copacilor.

OBSERVAȚIE: Se recomandă ca utilizatorul să practice prima dată cel puțin tăierea buștenilor pe o capră sau pe un suport.

TENSIONAREA LANȚULUI DE FERĂSTRĂU

⚠️ AVERTISMENT: Nu atingeți și nu reglați niciodată lanțul în timp ce motorul funcționează. Lanțul de ferăstrău este foarte ascuțit. Purtați întotdeauna mănuși de protecție când efectuați orice operație de întreținere a lanțului.

Lanțul de ferăstrău se extinde sau se contractă în timpul funcționării normale a ferăstrăului. Ca urmare, tensiunea în lanț se schimbă. Verificați în mod regulat tensiunea lanțului în timpul funcționării și reglați-o dacă este necesar.

1. Opiți ferăstrăul cu lanț, cuplați frâna de lanț și deconectați fișa de alimentare.
2. Slăbiți piulița șinei, astfel încât șina de ghidare să se poată mișca liber pentru reglarea viitoare.
3. Țineți vârful șinei în sus și reglați șurubul de tensiune până când se aplică următoarele puncte:
 - a) Săgeata lanțului în centrul șinei este în aproximativ: 1 - 2 mm (Fig. D).
 - b) Decuplați frâna de lanț, asigurați-vă că lanțul poate fi tras de-a lungul șinei cu două degete.

OBSERVAȚIE: Efectuați cu atenție acest pas pentru a evita vătămările corporale. Datorită faptului că acest motor de curent continuu conține material magnetic, comparați cu ferăstrăul cu lanț convențional pe benzină, atunci când mișcați lanțul de ferăstrău cu două degete, ați simți o anumită rezistență. Nu se mișcă la fel de ușor ca la ferăstrăul cu lanț pe benzină.

4. Țineți vârful șinei în sus și strângeți piulița pentru șină.

OBSERVAȚIE: Dacă săgeata lanțului în centrul șinei nu este de 1-2 mm, reglați tensiunea lanțului.

UMPLEREA REZERVORULUI DE ULEI

1. Scoateți fișa de alimentare din ferăstrăul cu lanț.
2. Poziționați ferăstrăul cu lanț pe partea laterală pe o suprafață fermă și plană, astfel încât capacul rezervorului de ulei să fie orientat în sus. Deschideți capacul rezervorului de ulei. Dacă este prea strâns, folosiți capul crestat al cheii combinate (furnizate) pentru a-l slăbi (Fig. E).
3. Se toamnă cu grijă uleiul în rezervorul de ulei. Umpleți până la partea de jos a gâtului de umplere. Ștergeți orice exces de ulei și închideți capacul.

RO

OBSERVAȚIE:

- În momentul cumpărării, ferăstrăul cu lanț nu este umplut cu ulei. Este esențial să umpleți rezervorul cu ulei înainte de utilizare. Lanțul este uns automat cu ulei de lanț în timpul funcționării.
- Este special concepută pentru a oferi frecare redusă și tăieri mai rapide.
- Nu folosiți niciodată ulei sau alți lubrifianți care nu sunt proiectați special pentru a fi folosiți pe șină și lanț. Acest lucru poate duce la un sistem înfundat de ulei, care poate provoca uzura prematură a șinei și a lanțului.

REGLAREA DEBITULUI DE ULEI (Fig. F)

- Acest ferăstrău este echipat cu un **șurub de reglare a debitului de ulei (F-1)**, situat pe partea inferioară a sculei, este utilizat pentru a regla debitul de ulei pentru lubrifierea lanțului, a șinei și a sistemului de tăiere. Creșteți sau reduceți debitul de ulei în direcția săgeților așa cum este marcat pe carcasă.

INDICATOR CU LED PE FERĂSTRĂUL CU LANȚ

Ferăstrăul cu lanț este echipat cu 2 indicatoare LED pentru a indica starea uleiului și nivelul de încărcare a acumulatorului (bateriilor).

Indicator cu LED		Semnificație	Acțiune
Indicator de nivel scăzut de ulei (A-8)	Roșu intermitent	Lipsă de ulei	Umpleți rezervorul de ulei.
	Oprit	Are ulei	/
Indicator de acumulator (A-7)	Luminează verde	Setul de acumulatori este încărcat	/
	Verde intermitent	Setul de acumulatori este aproape descărcat și trebuie încărcat imediat.	reîncărcați acumulatorul.

FIXAREA TOCULUI PENTRU ACUMULATOR DE HAMUL DE ALPINISM

Acest ferăstrău cu lanț este dotat cu un toc pentru acumulator. Este folosit pentru a transporta setul de acumulatori și permite să fie atașat de hamul de alpinism (nu este furnizat).

OBSERVAȚIE: Fixați ferm tocul acumulatorului pe hamul de alpinism, înainte de a vă echipa cu hamul de siguranță.

1. Căutați un punct preferabil pentru a suspenda acest toc pentru acumulator pe hamul de alpinism,

suspendați tocul pentru acumulator de hamul de alpinism folosind **cârligul de centură (G-1)**. (Fig. G1)

2. Înfășurați centura în jurul hamului de alpinism pentru a fixa tocul pentru acumulator în poziție (Fig. G2 și G3).
3. Atașați două **inele (G-2)** pe cablul cu husă de siguranță la hamul de alpinism utilizând două carabinere (nu sunt furnizate), așa cum se arată în Fig G4.

G-1	Cârlig de centură	G-2	Inele
-----	-------------------	-----	-------

OBSERVAȚIE:

- Când urcați în copac, atașați inelul 1 și 2 pe cablul cu husă de siguranță de hamul de alpinism folosind carabinere (nu sunt furnizate) (Fig. G5)
- Când se utilizează scula, desprindeți inelul 2 de hamul de alpinism, țineți ferăstrăul cu două mâini pentru a efectua tăierea (Fig. G6).

ASIGURAREA FERĂSTRĂULUI DE TOCUL PENTRU ACUMULATOR

Atașați **cârligul ferăstrăului (H-2)** al cablului cu husă de siguranță de **ochet (H-1)**. (Fig. H)

H-1	Orificiu	H-2	Cârlig pentru ferăstrău
-----	----------	-----	-------------------------

INSTALAREA/ÎNDEPĂRTAREA SETULUI DE ACUMULATORI

OBSERVAȚIE: Reîncărcați complet setul de acumulatori înainte de prima utilizare.

Instalarea (Fig. I1)


Aliniați nervurile reliefate ale setului de acumulatori cu fantele de montare, apoi glesați setul de acumulatori în toc până când se fixează în poziție.

Scoaterea (Fig. I2)

Apăsăți cu degetul mare pe butonul de detașare al setului de acumulatori și scoateți setul de acumulatori.

PORNIREA/OPRIREA FERĂSTRĂULUI CU LANȚ

Pornirea

1. Aliniați marcasele "▲" de pe **fișa de alimentare (J-2)** și **priza electrică** a ferăstrăului cu lanț (J-1), apoi introduceți fișa în ferăstrăul cu lanț până când sigiliul VERDE de pe fișă dispăre **COMPLET** în priză (Fig J1).
2. Împingeți comutatorul pornit/oprit în poziția "ON" (pornit) (Fig. J2).
3. Trageți pedala de frână pentru recul spre mânerul principal în poziția .

4. Deplasați **maneta de blocare (J-3)** în direcția înainte și apoi apăsați pe **declanșatorul cu viteză variabilă (J-4)**. Cu cât trageți mai mult declanșatorul cu viteză variabilă, cu atât este mai mare viteza de rotație a lanțului de ferăstrău (Fig. J3).

J-1	Priză electrică	J-3	Manetă de blocare
J-2	Fișă de alimentare	J-4	Declanșator cu viteză variabilă

Oprirea

1. Eliberați declanșatorul cu viteză variabilă pentru a opri ferăstrăul cu lanț.

OBSERVAȚIE: Lanțul de ferăstrău va continua să se rotească pentru o scurtă perioadă de timp după ce declanșatorul de viteză variabilă este eliberat. Aveți grijă să evitați contactul după ce ați eliberat declanșatorul cu viteză variabilă și când așezați ferăstrăul cu lanț.

2. Împingeți pedala de frână pentru recul înapoi în poziția de frână "☹".
3. Rotiți comutatorul „ON-OFF” (pornit-oprit) în poziția „OFF” (oprit).

⚠ AVERTISMENT: Deconectați întotdeauna fișa de alimentare de la ferăstrăul cu lanț în timpul pauzelor de lucru și după terminarea lucrului.

PREGĂTIREA PENTRU TĂIERE

Apucarea corectă a mânerelor (Fig. K)

- Purtați mănuși antiderapante pentru aderență maximă și protecție.
- Apucați întotdeauna mânerul frontal cu mâna stângă și mânerul principal cu mâna dreaptă.
- Degetele trebuie să cuprindă mânerul, cu degetul mare înfășurat sub mânerul frontal.

⚠ AVERTISMENT: Nu utilizați niciodată o poziție stângace (cu brațele încrucișate) sau orice altă poziție care v-ar poziționa corpul sau brațul peste linia lanțului.

⚠ AVERTISMENT: Nu acționați butonul de declanșare cu mâna stângă și țineți mânerul frontal cu mâna dreaptă. Nu permiteți niciodată unei părți a corpului să se situeze pe linia lanțului în timp ce acționați un ferăstrău cu lanț (Fig. L).

VERIFICAREA LUBRIFIERII LANȚULUI (Fig. M)

OBSERVAȚIE: Asigurați-vă că rezervorul de ulei al ferăstrăului cu lanț a fost umplut cu un volum adecvat de ulei pentru lanț.

1. Țineți șina de ghidare deasupra unei suprafețe de culoare deschisă.

2. Porniți ferăstrăul. Veți vedea o linie clară de ulei pe suprafața de culoare deschisă după 1 minut, dacă lubrifierea lanțului funcționează corect.
3. Dacă uleiul de lanț nu este încă vizibil pe suprafața de culoare deschisă, consultați secțiunea **“REGLAREA DEBITULUI DE ULEI”** pentru a-l regla.

FUNȚIONAREA ÎN COPAC

⚠ AVERTISMENT: când lucrați sau urcați, se recomandă utilizarea suportului suplimentar, cum ar fi etrierul de picior, șnurul reglabil, pentru a preveni balansarea sau un accident de tăiere.

Înainte de a-l utiliza, vă rugăm să verificați următoarele puncte:

- Verificați semnele de uzură de pe **roata de lanț (N-1)**. Dacă semnele de uzură sunt mai adânci de 0,5 mm: contactați distribuitorul de service EGO pentru a înlocui roata de lanț.
- Verificați și sistemul de frânare, dacă urmele de uzură ale **garniturii de frână (N-2)** sunt inegale, contactați distribuitorul de service EGO pentru a înlocui garnitura de frână. (Fig. N)

N-1	Roată de lanț	N-2	Garnitură de frână
-----	---------------	-----	--------------------

- Pentru verificarea șinei de ghidare, consultați secțiunea aferentă: **ÎNȚREȚINEREA ȘINEI DE GHIDARE**
- Pentru verificarea lanțului de ferăstrău, consultați secțiunea aferentă: **ÎNȚREȚINEREA LANȚULUI**
- Pentru testarea frânei de lanț, consultați secțiunea aferentă: **DISPOZITIVE DE SIGURANȚĂ PENTRU RECUL DE PE ACEST**

FERĂSTRĂU CU LANȚ

- Pentru verificarea comenzilor, consultați secțiunea aferentă: **PORNIREA/OPRIREA FERĂSTRĂULUI CU LANȚ**
- Pentru verificarea lubrifierii lanțului, consultați secțiunea aferentă: **VERIFICAREA LUBRIFIERII LANȚULUI**

ÎNȚREȚINERE

CURĂȚARE

- După fiecare utilizare, îndepărtați reziduurile de pe lanț și de pe șina de ghidare cu ajutorul unei perii moi. Ștergeți suprafața ferăstrăului cu o cârpă curată, umezită cu o soluție ce conține un detergent slab.
- Pentru curățare profundă, scoateți ansamblul capacului lateral, scoateți șina de ghidare și lanțul de ferăstrău și apoi utilizați o perie moale pentru a îndepărta temeinic resturile de pe șina de ghidare, lanțul de ferăstrău și roata de antrenare de pe capul de antrenare al ferăstrăului cu lanț.

RO

- Îndepărtați întotdeauna așchiile, rumegușul și murdăria de pe canelura șinei de ghidare când înlocuiți lanțul ferăstrăului.

ÎNDEPĂRTAREA PRAFULUI

1. Deconectați fișa de alimentare, lăsați ferăstrăul cu lanț să se răcească și strângeți capacul rezervorului de ulei.
2. Acționați frâna ferăstrăului
3. Folosiți cheia combinată (fumizată) pentru a slăbi șurubul **capacului de îndepărtare a prafului (O-1)** pentru a-l deschide (Fig. O1).
4. Curățați rumegușul și așchiile acumulate în nervurile de răcire folosind aer uscat comprimat, suflați-le din **orificiul de admisie a aerului (O-2)** de pe partea opusă. (Fig. O2).

O-1	Capac de îndepărtare a prafului	O-2	Admisie de aer
-----	---------------------------------	-----	----------------

ÎNȚREȚINEREA ȘINEI DE GHIDARE

Când șina de ghidare prezintă semne de uzură, demontați-o de pe blocul motor al ferăstrăului și inversați-o pentru a o reasambla (Fig. P1), în care caz uzura va fi distribuită pentru o durată maximă de viață a șinei de ghidare.

Șina de ghidare trebuie curățată, inclusiv **șinele acesteia (P-1)** și **orificiul de lubrifiere (P-2)** în fiecare zi de utilizare și trebuie verificată pentru depistarea uzurii și a deteriorării (Fig. P2). Eflourajul sau bavurarea șinelor face parte din procesul normal de uzură al șinei. Astfel de defecte pot fi netezite cu o pilă imediat după ce au loc. O șină cu următoarele defecte trebuie înlocuită.

Uzură în interiorul șinelor ce permite lanțului să stea în lateralul șinei.

- Șină de ghidare îndoită.
- Șine crăpate sau sparte.
- Șine întinse.

Șina de ghidare are o roată dințată în vârf. Roata dințată trebuie unsă săptămânal cu o seringă cu vaselină pentru a prelungi durata de viață a șinei de ghidare (Fig. P3 & P4). Rotiți **roata dințată din vârf (P-3)** în timp ce pompați vaselina **translucidă de culoare galbenă, translucidă de culoare roșie sau translucidă în orificiul de lubrifiere (P-4)** până când întreaga roată are vaselină nouă. Nu împingeți murdăria în orificiu.

P-1	Șine ale șinei de ghidare	P-3	Roată dințată
P-2	Orificiu de lubrifiere	P-4	Orificiu de lubrifiere

ÎNȚREȚINEREA LANȚULUI

Cu acest ferăstrău utilizați numai lanțuri cu risc redus de recul. Acest lanț de tăiere rapidă va reduce reculul dacă este întreținut corect.

Un ferăstrău ascuțit corect va secționa lemnul fără efort, chiar și cu forță de apăsare foarte mică. Nu utilizați niciodată un lanț tocit sau deteriorat. Un lanț tocit de ferăstrău are tendința să apese mai tare, duce la creșterea încălzirii vibratorii, la rezultate de tăiere nesatisfăcătoare și la uzură sporită.

Pentru tăiere uniformă și rapidă, lanțul trebuie întreținut corespunzător. Lanțul trebuie ascuțit când așchiile de lemn sunt mici și prăfoase, când lanțul trebuie forțat prin lemn în timpul tăierii sau dacă lanțul taie într-o parte. În timpul întreținerii lanțului, luați în considerare următoarele:

- Un unghi necorespunzător de pilitre al plăcii laterale poate crește riscul de recul sever.
- Distanța limitatorului de adâncime. Prea mică, va crește potențialul de recul. Insuficient de mică, descrește capacitatea de tăiere.
- Dacă dinții de tăiere lovesc obiecte tari precum cuiele și pietrele, sau dacă s-au murdărit de noroi sau nisip de pe lemn, dați lanțul la ascuțit unui tehnician de service autorizat.

OBSERVAȚIE: se recomandă ca ascuțirea și întreținerea lanțului de ferăstrău să fie efectuate de centre de service autorizate.

TRANSPORTAREA ȘI DEPOZITAREA

- Nu depozitați sau transportați ferăstrăul cu lanț când acesta este în funcțiune. Deconectați întotdeauna fișa de alimentare înainte de depozitare sau transport.
- Plasați întotdeauna teaca de șină pe șina de ghidare și lanț înainte de a depozita sau transporta ferăstrăul. Fiți precaut pentru a evita dinții ascuțiți ai lanțului.
- Curățați bine ferăstrăul înainte de a-l depozita. Depozitați ferăstrăul cu lanț în interior, într-un loc uscat care este închis cu cheia și/sau inaccesibil copiilor.
- Țineți-l la distanță de agenți corozivi, precum substanțele chimice de grădină și sărurile de dezghețare.

Protejarea mediului înconjurător



DEEE (Deșeurii de echipamente electrice și electronice) - Nu eliminați echipamentul electric, acumulatorul epuizat și încărcătorul de acumulator împreună cu deșeurile menajere! Predați acest produs unui punct de reciclare autorizat și puneți-l la dispoziția colectării separate. Sculele electrice trebuie returnate unui centru de reciclare ecologic.

DEPANARE

PROBLEMĂ	CAUZĂ	SOLUȚIE
Motorul nu pornește.	<ul style="list-style-type: none"> ■ Fișa de alimentare a tocului pentru acumulator nu este atașată la ferăstrăul cu lanț. ■ Nu există contact electric între tocul pentru acumulator și acumulator. ■ Maneta de blocare nu este ridicată. ■ Comutatorul „ON-OFF” (pornit-oprit) este poziționat pe „OFF” (oprit). ■ Frâna de lanț este activată. 	<ul style="list-style-type: none"> ■ Introduceți fișa de alimentare a tocului pentru acumulator în ferăstrăul cu lanț. ■ Îndepărtați acumulatorul, verificați contactele și reinstalați setul de acumulatori. ■ Ridicați maneta de blocare înainte de a porni. ■ Rotiți comutatorul „ON-OFF” (pornit-oprit) în poziția „ON” (pornit). ■ Trageți pedala frânei de recul a lanțului în spate, spre mânerul superior în poziția de funcționare.
Ferăstrăul cu lanț se oprește în timpul funcționării.	<ul style="list-style-type: none"> ■ Setul de acumulatori sau ferăstrăul sunt prea calde. ■ Ferăstrăul cu lanț este suprasolicitat. ■ Prea multe bucățele de lemn blochează canalul de ventilație. ■ Setul de acumulatori este descărcat. 	<ul style="list-style-type: none"> ■ Lăsați să se răcească setul de acumulatori sau ferăstrăul. ■ Reduceți sarcina. ■ Curățați praful, consultați partea „ÎNDEPĂRTAREA PRAFULUI”. ■ Încărcați setul de acumulatori.
Frâna de lanț nu se activează	<ul style="list-style-type: none"> ■ Resturi împiedică mișcarea completă a mânerului frânei de recul a lanțului. ■ Este posibil ca frâna de lanț să nu funcționeze corect 	<ul style="list-style-type: none"> ■ Curățați resturile de pe mecanismul extern al frânei lanțului. ■ Contactați Serviciul clienți EGO pentru reparații.
Absența lubrifierii cu ulei la tăiere.	<ul style="list-style-type: none"> ■ Rezervorul de ulei de lanț este gol. ■ Orificiul de evacuare a uleiului de pe șina lanțului este blocat ■ Solidificarea uleiului la temperatură scăzută 	<ul style="list-style-type: none"> ■ Umplerea cu lubrifianț de șină și de lanț. ■ Curățați praful din orificiul de evacuare a uleiului. ■ Schimbați uleiul de ungere adecvat (potrivit pentru temperatură scăzută)
Indicatorul de nivel scăzut de ulei clipește în culoarea roșie sau arată o lumină anormală în timp ce rezervorul de ulei este plin cu ulei.	<ul style="list-style-type: none"> ■ Unghiul de utilizare specială a mașinii face ca uleiul din rezervorul de ulei să nu intre în conducta de ulei. ■ Nu se recomandă categoria și culoarea uleiului. ■ Indicatorul de nivel scăzut de ulei încă luminează intermitent în roșu. 	<ul style="list-style-type: none"> ■ Așezați ferăstrăul cu lanț în poziție orizontală și încercați din nou. ■ Utilizați uleiul galben translucid, roșu translucid sau uleiul translucid recomandat. ■ Contactați Serviciul clienți EGO pentru reparații.
Indicatorul de nivel scăzut de ulei nu funcționează în timp ce rezervorul de ulei nu are ulei.	<ul style="list-style-type: none"> ■ Categoria și culoarea uleiului nu pot fi identificate. ■ O cantitate mică de ulei este încă în rezervorul sau conducta de ulei ■ Indicatorul de nivel scăzut de ulei încă nu funcționează din motivele de mai sus. 	<ul style="list-style-type: none"> ■ Utilizați uleiul galben translucid, roșu translucid sau uleiul translucid recomandat. ■ Folosiți ferăstrăul cu lanț o perioadă de timp și apoi observați din nou indicatorul de nivel scăzut de ulei. ■ Contactați Serviciul clienți EGO pentru reparații.

RO

GARANȚIE

POLITICA PRIVIND GARANȚIA EGO

Vă rugăm să consultați site-ul egopowerplus.com pentru termenii și condițiile complete ale politicii privind garanția EGO.

PREBERITE VSA NAVODILA!



PREBERITE PRIROČNIK Z NAVODILI ZA UPORABO

⚠ Tveganje zaradi preostalega toka! Pred uporabo izdelka se morajo osebe z elektronskimi napravami, kot je srčni spodbujevalnik, posvetovati s svojim zdravnikom. Delovanje električne opreme v bližini srčnega spodbujevalnika lahko povzroči motnje ali okvaro srčnega spodbujevalnika.

VARNOSTNI SIMBOL

Namen varnostnih simbolov je, da vas opozorijo na morebitne nevarnosti. Bodite pozorni na varnostne simbole in njihova pomena ter jih poskušajte razumeti. Opozorilni simboli sami ne odpravljajo nobene nevarnosti. Navodila in opozorila ne nadomeščajo ustreznih ukrepov za preprečevanje nesreč.

⚠ OPOZORILO: poskrbite, da pred uporabo tega orodja preberete in razumete vsa varnostna navodila v tem priročniku za uporabo, vključno z vsemi simboli za varnostna opozorila, kot so »NEVARNOST«, »OPOZORILO«, in »SVARILO«. Zaradi neupoštevanja spodaj navedenih navodil lahko pride do električnega udara, požara in/ali resnih telesnih poškodb.

POMEN SIMBOLA

Na tej strani so prikazani in opisani varnostni simboli, ki se lahko pojavijo na tem izdelku. Preberite in osvojite navodila na napravi ter jih upoštevajte, preden se lotite sestavljanja in upravljanja stroja.

VARNOSTNI SIMBOLI



Varnostno opozorilo



Nosite vzdržljive delovne rokavice iz trpežnega materiala.



Nosite obutev z neдрsečim podplatom.



Pazite na povratni udarec - kontaktu meča s katerim koli predmetom se je treba izogniti.



Povratni udarec konice meča - kontakt konice lahko povzroči, da se meč nenadoma premakne navzgor in nazaj, kar lahko povzroči resno poškodbo.



Odpadnih električnih izdelkov ne odlagajte med gospodinjne odpadke. Odnosite jih na pooblaščen obrat za recikliranje.

V Volt



Enosmerni tok



Za zmanjšanje nevarnosti telesnih poškodb je pomembno, da uporabnik pred uporabo tega izdelka prebere priročnik za uporabo in se z njim seznaní.



Nosite tesno prilegajoča oblačila. Ne nosite šala, kravate ali nakita.



Nosite zaščitna očala, čepke za ušesa ali naušnike in zaščitno čelado, ki se pritrdi pod brado.



Prijem z obema rokama - pri upravljanju verižne žage vedno uporabljajte dve roki.



Informacije o meču.



Ne izpostavljajte dežju.



Hrup



CE

SL

TEHNIČNI PODATKI

Napetost	56 V	
Priporočena delovna temperatura:	Od -15°C do 40°C	
Priporočena temperatura za shranjevanje:	Od -40°C do 70°C	
Optimalna temperatura polnjenja	Od 5°C do 40°C	
Dolžina žaganje	300 mm	
Hitrost verige	20 m/s	
Delitev verige	3/8" (9,5 mm)	
Širina utora	1,1 mm	
Vrsta rezalne verige	AC1200 (priporočeno) AC1400 (družljivo) AC1600 (družljivo)	
Vrsta vodila meča	AG1200 (priporočeno) AG1400 (družljivo) AG1600 (družljivo)	
Teža (brez baterijskega sklopa, pokrova verige)	3,5 kg	
Izmerjena raven zvočne moči L_{WA}	98,8 dB(A) K=3 dB(A)	
Raven zvočnega tlaka v delovnem položaju L_{PA}	88,1 dB(A) K=3 dB(A)	
Zajamčena raven zvočnega tlaka L_{WA} (v skladu z 2000/14/ES)	102 dB(A)	
Tresljaji a_h	Sprednji ročaj	1,73 m/s ² K= 1,5 m/s
	Glavni ročaj	2,21 m/s ² K= 1,5 m/s

- Nazivna skupna vrednost tresljajev je bila izmerjena v skladu s standardno preskusno metodo in jo je mogoče uporabiti za primerjavo enega orodja z drugim.
- Nazivno skupno vrednost tresljajev je mogoče uporabiti tudi za predhodno oceno izpostavljenosti.

OPOMBA: oddajanje tresljajev med dejansko uporabo električnega orodja se lahko razlikuje od nazivne vrednosti, v kateri se uporablja orodje. Upravitelj se lahko zaščiti tako, da uporablja rokavice in nausnike, primerne dejanskim pogojem uporabe.

OPIS

SPOZNAJTE SVOJO VERIŽNO ŽAGO (sl. A1)

1. Rezalna veriga
2. Ročaj zavore verige ob povratnem udarcu
3. Zaklepni jeziček
4. Glavni ročaj
5. Sprožilec spreminjanja hitrosti
6. Vstavitvena odprtina
7. Indikator akumulatorja
8. Indikator nizke ravni olja
9. Sprednji ročaj
10. Pokrov rezervoarja za olje
11. Vodilo meča
12. Luknja za mazanje
13. Verižnik
14. Napenjalni vijak
15. Varnostno stikalo VKLOP/IZKLOP
16. Vodilo somika
17. Matica
18. Sestavljanje stranskega pokrova
19. Držalo vijakov za prilagajanje pretoka olja
20. Pokrov za odstranjevanje prahu
21. Mehanizem za izmet
22. Električni kontakti
23. Gumb za sprostitve baterije
24. Kavelj za pas
25. Zaponka
26. Trak
27. Jermen z žico
28. Obroč 1
29. Kavelj za žago
30. Električni vtičač
31. Obroč 2
32. Pokrov verige
33. Kombiniran ključ

VSEBINA PAKETA (SL. A1)

SESTAVLJANJE


NAMEŠČANJE/RAZSTAVLJANJE DROGA IN VERIGE

⚠ OPOZORILO: pred sestavljanjem ali vzdrževanjem izdelka vedno izklopite električni vtičač in nosite zaščitne rokavice.

⚠ OPOZORILO: preberite vsa varnostna opozorila, navodila, slike in tehnične podatke, ki so priloženi temu električnemu orodju. Zaradi neupoštevanja spodaj navedenih navodil lahko pride do električnega udara, požara in/ali hudih telesnih poškodb.

Vsa opozorila in navodila shranite za kasnejšo uporabo.

SL

1. Poskrbite, da je ročaj zavore verige ob povratnem udarcu nastavljen na položaj .
2. Odvijte **matico (A-17)** v nasprotni smeri urnega kazalca, da odstranite **stranski pokrov (A-18)**.
3. Rezalno verigo v obliki zanke položite na ravno površino in okrepite vse vozle (sl. B1).
4. **Člene gonila (B-1)** namestite v **utor (B-2)** na vodilu meča in na zadnji strani vodila meča oblikujte verigo v zanko (sl. B2).
5. Verigo držite v položaju na vodilu meča in zanko namestite okoli **zobnika verige (B-3)** pogonske enote in preverite sledeče elemente (sl. B3):
 - a) Členi gonila so nameščeni v zobeh **zobnika verige (B-3)**.
 - b) **Napenjalni vijak (B-4)** in **vodilo vijaka (B-5)** sta v reži vodila meča. Napenjalni zatič (B-6) je aktiviran v odprtini vodila meča.

OPOMBA: poskrbite, da so zobci rezalne verige vedno obrnjeni naprej (sl. B3).

6. Oglejte si poglavje »NAPENJANJE REZALNE VERIGE«, da zagotovite pravilno sestavljanje verige brez vezave.
7. Uskladite dva **vzmetna vodila (B-7)** stranskega pokrova z ustreznima **odprtinama (B-8)** v žagi, nato namestite stranski pokrov. (sl. B4)
8. Privijte matice.

B-1	Členi gonila	B-5	Vodilo sornika
B-2	Utor	B-6	Napenjalni zatič
B-3	Zobnik verige	B-7	Vzmetna vodila
B-4	Napenjalni vijak	B-8	Odprtine

OPOMBA: če je treba zamenjati vodilo meča, razstavite stranski pokrov in ga ponovno sestavite z novim vodilom meča, kot prikazuje slika C.

UPRAVLJANJE

UPORABA

- Verižna žaga je namenjena samo obrezovanju in vzdrževanju dreves.



To žago lahko uporabljajo samo osebe, ki so usposobljene za vzdrževanje dreves.

OPOMBA: neizkušenim uporabnikom priporočamo, da najprej vadijo žaganje debel na stolici ali posebni opori za žaganje.

NAPENJANJE REZALNE VERIGE

⚠ OPOZORILO: medtem ko motor teče, se ne dotikajte ali prilagajajte verige. Rezalna veriga je zelo ostra; med vzdrževanjem verige vedno nosite zaščitne rokavice.

Med upravljanjem žage se rezalna veriga razteza ali krči. Posledično se spremeni napetost verige. Med upravljanjem redno preverjajte napetost verige in jo po potrebi prilagajajte.

1. Izklopite verižno žago, vklopite verižno zavoro in izklopite električni vtičač.
2. Zrahljajte matico, da se vodilo meča lahko prosto giblje za prihodnje prilagoditve.
3. Dvignite prijemalno čeljust in prilagodite napenjalni vijak, dokler se ne zgodi sledeče:
 - a) Povešenost verige na sredini droga je okrog: 1–2 mm (slika D).
 - b) Sprostite zavoro verige in poskrbite, da verigo lahko povlečete ob drogu z dvema prstoma

OPOMBA: ta korak izvedite previdno, da se izognete telesnim poškodbam. V primerjavi z običajno bencinsko verižno žago ta enosmerni motor vsebuje magnetni material, ko rezalno verigo zaženete z dvema prstoma, čutite določeno količino upora. Ni tako tekoče kot pri bencinski verižni žagi.

4. Dvignite prijemalno čeljust in privijte matico.

OPOMBA: če povešenost verige na sredini droga ni 1–2 mm, ponovno prilagodite napetost verige.

POLNJENJE REZERVOARJA ZA OLJE

1. Izklopite električni vtičač iz verižne žage.
2. Verižno žago položite na stran na trdo, ravno površino, tako da je pokrov rezervoarja za olje obrnjen navzgor. Odprite pokrov rezervoarja za olje. Če je pretesen, uporabite utorno glavo kombiniranega ključa (priložen), da ga zrahljate (sl. E).
3. Previdno nalijte olje v rezervoar. Napolnite do dna polnilne odprtine rezervoarja. Obrišite odvečno olje in zaprite pokrov rezervoarja.

OPOMBA:

- Ob nakupu v verižni žagi ni olja. Izjemno pomembno je, da pred uporabo rezervoar napolnite z oljem. Med delovanjem je veriga samodejno namazana z oljem za verigo.
- To olje je posebej zasnovano za zagotavljanje manjšega trenja in hitrejšega rezanja.
- Nikoli ne uporabljajte olja ali drugih maziv, ki niso namenjena specifično drogovom in verigam. To lahko vodi k zamažitvi oljnega sistema, zaradi česar se lahko drog in veriga predčasno obrabita.

PRILAGAJANJE PRETOKA OLJA (sl. F)

- Žaga je opremljena z vijakom za prilagajanje pretoka olja (F-1), ki se nahaja na dnu orodja in se uporablja pri prilagajanju pretoka olja za mazanje verige, droga ali rezalnega sistema. Povečujte in zmanjšujte pretok olja v smeri puščic, kot je prikazano na ohišju.

INDIKATOR LED NA VERIŽNI ŽAGI

Verižna žaga je opremljena z 2 indikatorjema LED, ki nakazujejo status olja in nivo napoljenosti baterijskega sklopa.

Indikator LED	Pomen	Dejanje
Indikator nizke ravni olja (A-8)	Utripa rdeče	Pomanjkanje olja
	Ne sveti	Ima olje
Indikator akumulatorja (A-7)	Sveti zeleno	Baterijski sklop ima moč
	Utripa zeleno	Baterijski sklop je izprazenjen in ga je treba takoj napolniti.

PRITJEVANJE ETUIJA ZA AKUMULATOR NA PLEZALNI PAS

Verižni žagi je priložen etui za akumulator, ki se uporablja za nošenje baterijskega sklopa in se lahko pritrdi na plezalni pas (ni priložen).

OPOMBA: čvrsto pritrdite etui za akumulator na plezalni pas, preden ga oblečete.

- Poiščite najboljše mesto na plezalnem pasu, kamor lahko obesite etui za akumulator, in ga obesite na plezalni pas s **kavljem za pas (G-1)** (sl. G1).
- Pas ovijte okrog plezalnega pasu, da pritrdite etui za akumulator na eno mesto (sl. G2 & G3).
- Obroč (G-2)** varnostnega jermena z žico pritrdite na plezalni pas z uporabo dveh vponk (nista priloženi), kot prikazuje sl. G4.

G-1	Kavelj za pas	G-2	Obroč
-----	---------------	-----	-------

OPOMBA:

- Med plezanjem na drevo pritrdite obroča 1 & 2 varnostnega jermena z žico na plezalni pas z uporabo vponk (nista priloženi) (sl. G5).
- Med uporabo orodja odprite obroč 2 od plezalnega pasu in žagajte tako, da držite žago z dvema rokama (sl. G6).

PRITRJEVANJE ŽAGE NA ETUI ZA AKUMULATOR

Kavelj za žago (H-2) varnostnega jermena z žico pritrdite v **vstavitevno odprtino (H-1)**. (slika H)

H-1	Vstavitevna odprtina	H-2	Kavelj za žago
-----	----------------------	-----	----------------

NAMEŠČANJE/ODSTRANJEVANJE BATERIJSKEGA SKLOPA

OPOMBA: pred prvo uporabo popolnoma napolnite baterijski sklop.

Namestitvev (slika I1)


Uskladite rebra baterijskega sklopa z režami za montažo, nato spustite baterijski sklop v etui za akumulator, dokler ne skoči v pravi položaj.

Odstranjevanje (slika I2)

S palcem pritisnite gumb za sprostitvev baterije, da odstranite baterijski sklop.

ZAGON/ZAUSTAVITEV VERIŽNE ŽAGE

Zagon


- Uskladite oznake »▲« na **električnem vtičaku (J-2)** in **električni vtičnici (J-1)** verižne žage, nato vstavite vtičak v verižno žago, dokler ZELENI pečat na vtičaku POPOLNOMA ne izgine v vtičnici (sl. J1).
- Stikalo »VKLOP/IZKLOP« nastavite na »**VKLOP**« (sl. J2).
- Ročaj zavore verige ob povratnem udarcu potegnite proti glavnemu ročaju v položaj .
- Zaklepni jeziček (J-3)** potisnite naprej, nato pritisnite **sprožilec spreminjanja hitrosti (J-4)**. Bolj kot vlečete sprožilec spreminjanja hitrosti navzgor, večje je vrtilna hitrost rezalne verige (sl. J3).

J-1	Električna vtičnica	J-3	Zaklepni jeziček
J-2	Električni vtičak	J-4	Sprožilec spreminjanja hitrosti

Zaustavitvev

- Sprostite sprožilec spreminjanja hitrosti, da zaustavite verižno žago.

OPOMBA: ko sprostite sprožilec spreminjanja hitrosti, se bo verižna žaga kratek čas še vedno vrтела. Pazite, da se po sprostitvi sprožilca spreminjanja hitrosti in med odložitvijo verižne žage izogibate stiku.

- Potisnite ročaj zavore verige ob povratnem udarcu naprej proti položaju zavore »«.

SL

3. Stikalo za »VKLOP/IZKLOP« nastavite na »**IZKLOP**«.

⚠ OPOZORILO: Med delovnimi odmori in po končanem delu iz verižne žage vedno odstranite električni vtikač.

PRIPRAVA ZA REZANJE

Primeren prijem na ročajih (slika K)

- Za najboljši prijem in zaščito nosite protizdrsnе rokavice.
- Sprednji ročaj vedno primite z levo roko, glavnega pa z desno roko.
- Prsti morajo obkrožiti ročaj, palec pa mora biti ovit pod sprednjim ročajem.

⚠ OPOZORILO: nikoli ne uporabljajte levoročnega prijema (prekrižanih rok) ali položaja, ob katerem bi bila vaše telo ali roka preko linije verige.

⚠ OPOZORILO: sprožilca stikala ne upravljajte z levo roko in ne držite sprednjega ročaja z desno roko. Med upravljanjem verižne žage nikoli ne dovolite, da bi bil kateri koli del vašega telesa v liniji verige.

PREVERJANJE NAOLJENOSTI VERIGE (sl. M)

OPOMBA: poskrbite, da je rezervoar za olje napolnjen z ustrezno količino olja za verigo.

1. Vodilo meča držite nad svetlo površino.
2. Vklomite žago. Po 1 minuti boste na svetli površini zagledali jasno črto olja, če naoljenost verige deluje pravilno.
3. Če olje za verigo še vedno ni vidno na svetli površini, si oglejte poglavje o »**PRILAGAJANJE PRETOKA OLJA**«, da ga prilagodite.

UPRAVLJANJE V DREVESIH

⚠ OPOZORILO: med delom ali plezanjem je priporočljiva uporaba dodatne podpore kot na primer streme za nogo in nastavljiv pas, da preprečite nihanje ali da se ne porežete.

Pred uporabo, prosimo, da preverite sledeče točke:

- Preverite, če so sledi obrabe na **zobniku verige (N-1)** globlje kot 0,5 mm: pokličite svojega servisera EGO za menjavo zobnika verige.
- Preverite tudi zavorni sistem. Če so sledi obrabe na **zavorni oblogi (N-2)** neenakomerne, pokličite svojega servisera EGO za menjavo zavorne obloge (slika N).

N-1	Zobnik verige	N-2	Zavorna obloga
-----	---------------	-----	----------------

- Preverite vodilo meča, sledite ustreznemu poglavju: **VZDRŽEVANJE VODILA MEČA**

- Preverite rezalno verigo, sledite ustreznemu poglavju: **VZDRŽEVANJE VERIGE**

- Testiranje zavore verige, sledite ustreznemu poglavju: **VARNOSTNE NAPRAVE NA VERIŽNI ŽAGI PROTI POVRATNEMU UDARCU**

VERIŽNA ŽAGA

- Preverite stikalno ploščo, sledite ustreznemu poglavju: **ZAGON/ZAUSTAVITEV VERIŽNE ŽAGE**

- Preverite naoljenost verige, sledite ustreznemu poglavju: **PREVERJANJE NAOLJENOSTI VERIGE**

VZDRŽEVANJE

ČIŠČENJE

- Po vsaki uporabi z mehko krtačo z žage in vodila meča odstranite delce. Površino verižne žage obrišite s čisto in vlažno krpo ter nekaj mile čistilne raztopine.
- Za globoko čiščenje odstranite sestavljanje stranskega pokrova, umaknite vodilo meča in verižno žago ter nato z mehko krtačko temeljito odstranite nečistočo z vodila meča, verižne žage in pogonskega zobnika na pogonski enoti verižne žage.
- Pri čiščenju verige vedno očistite delce lesa, žagovino in umazanijo iz utora vodila meča.

ODSTRANITE PRAH

1. Odstranite električni vtikač, počakajte, da se verižna žaga ohladi in privijte pokrov rezervoarja za olje.
2. Vklomite zavoro žage.
3. S kombiniranim ključem (priložen) zrahljajte vijak s **pokrova za odstranjevanje prahu (O-1)** in ga odprite (sl. O1).
4. S stisnjenim suhim zrakom počistite žagovino in delčke, ki so se nabrali v hladilnem rebru. Pihajte z nasprotne strani **dovoda zraka (O-2)** (sl. O2).

O-1	Pokrov za odstranjevanje prahu	O-2	Dovod zraka
-----	--------------------------------	-----	-------------

VZDRŽEVANJE VODILA MEČA

Če je vodilo meča obrabljeno, ga razstavite s pogonske enote verižne žage in ga obrnite ter ponovno sestavite (slika P1), s čimer boste porazdelili obrabo in podaljšali življenjsko dobo meča.

Drog je treba očistiti (vključno s **tirnicami meča (P-1)** in **luknjo za mazanje (P-2)**) vsak dan uporabe in ga preveriti za obrabo in poškodbe (sl. P2). Na tirmicah meča se lahko pojavijo nitke oziroma igle, kar je normalen proces obrabe. Takšne napake je treba zglatiti s pilo takoj, ko se pojavijo. Meč, s katero izmed naslednjih napak, je treba zamenjati.

- Obraba znotraj tirmic meča, ki dovoljuje verigi, da je nameščena preko stranic.
- Zvito vodilo meča.
- Počene tirmice.
- Razširjene tirmice.

Meč ima na konici zobnik. Zobnik je treba tedensko mazati z mastjo iz brizgalke, da podaljšate življenjsko dobo vodila meča (sliki P3 & P4). Obrnite **nosni zobnik (P-3)**, medtem ko v **luknjo za mazanje (P-4)** črpate prozorno rumeno, prozorno rdečo ali prozorno mast, dokler celoten zobnik nima nove masti. V odprtino ne potiskajte umazanije.

P-1	Tirmice meča	P-3	Veržnik
P-2	Luknja za mazanje	P-4	Luknja za mazanje

VZDRŽEVANJE VERIGE

S to žago uporabljajte le verige z nizkim povratnim udarcem. Ob pravilnem vzdrževanju bo ta žaga, ki omogoča hitro žaganje, zagotavljala zmanjšanje povratnega udarca.

Primerno nabrušena veriga reže skozi les brez napora tudi z zelo malo pritiska. Nikoli ne uporabljajte tope ali poškodovane verige. Topo rezilo verige vodi k povečani fizični obremenitvi, povečani obremenitvi zaradi vibracij, slabšim rezultatom žaganja in povečani obrabi.

Za gladko in hitro žaganje je treba verigo pravilno vzdrževati. Veriga zahteva ostrenje, kadar so lesni delci majhni in prašni, kadar je treba žago s silo potiskati skozi les med žaganjem ali če veriga reže na eno stran. Med vzdrževanjem svoje verige upoštevajte sledeče:

- Nepravilen kot piljenja stranske plošče lahko poveča tveganje za močan udarec nazaj.
- Razdalja merilnika globine. Premajhna razdalja poveča možnost za povratni udarec. Če razdalja ni dovolj nizka, zmanjša sposobnost žaganja.
- Če so zobje rezila zadeli ob trde predmete, kot so žebliji in kamni, ali pa sta jih zdrsala blato ali pesek na lesu, naj verigo nabrusi kvalificiran serviser.

OPOMBA: priporočljivo je, da **rezalno žago** nabrusi in vzdržuje kvalificiran serviser.

PREVOZ IN SHRANJEVANJE

- Verižne žage ne prenašajte ali shranjujte kadar je v teku. Pred skladiščenjem ali transportom vedno odstranite električni vtičič.
- Na vodilo meča in verigo pred skladiščenjem ali transportom verižne žage vedno namestite pokrov. Bodite previdni, da se izognete ostrim zobem verige.
- Pred skladiščenjem verižno žago temeljito očistite. Verižno žago skladiščite v notranjem prostoru, ki je zaklenjen in/ali nedostopen otrokom.
- Orodja ne shranjujte v bližini korozivnih sredstev, kot so vrtno kemikalije in soli za topljenje ledu.

Varovanje okolja



Odpadna električna in elektronska oprema: električne opreme, rabljene baterije in polnilnika ne odvrzite med gospodinjske odpadke. Izdelek odnesite v pooblaščen obrat za recikliranje in ga zavrzite ločeno. Električna orodja je treba odnesti na obrat za recikliranje in ga reciklirati na okolju prijazen način.

ODPRAVLJANJE TEŽAV

TEŽAVA	VZROK	REŠITEV
Motorja ni mogoče zagnati.	<ul style="list-style-type: none"> ■ Baterijski sklop etuija za akumulator ni pritrjen na verižno žago. ■ Med etuijem za akumulator in baterijo ni električnega stika. ■ Zaklepni jeziček ni zložen. ■ Stikalo za »VKLOP/IZKLOP« je nastavljen na »IZKLOP«. ■ Zavora verige je aktivirana. 	<ul style="list-style-type: none"> ■ Vstavite električni vtičak etuija za akumulator v verižno žago. ■ Odstranite baterijo, preverite kontakte in znova namestite baterijski sklop. ■ Pred začetkom zložite zaklepni jeziček. ■ Stikalo za »VKLOP/IZKLOP« preklopite na »VKLOP«. ■ Ročaj zavore verige ob povratnem udarcu potegnite nazaj proti zgornjemu ročaju v položaj za delovanje.
Verižna žaga se ustavi med delom.	<ul style="list-style-type: none"> ■ Baterijski sklop ali verižna žaga je prevroča. ■ Verižna žaga je preobremenjena. ■ Preveliko delcev lesa blokira prezračevalni kanal. ■ Baterijski sklop je izprazen. 	<ul style="list-style-type: none"> ■ Ohladite baterijski sklop ali verižno žago. ■ Zmanjšajte obremenitev. ■ Očistite delce lesa in si oglejte poglavje „ODSTRANITE DELCE LESA“. ■ Napolnite baterijski sklop.
Zavora verige se ne aktivira.	<ul style="list-style-type: none"> ■ Delci preprečujejo popolno premikanje ročaja zavore verige ob povratnem udarcu. ■ Možna je okvara zavore verige. 	<ul style="list-style-type: none"> ■ Odstranite delce iz zunanega mehanizma zavore verige. ■ Za popravilo se obrnite na podporo za kupce izdelkov EGO.
Med žaganjem ni mazalnega olja.	<ul style="list-style-type: none"> ■ Rezervoar za olje je prazen. ■ Odprtina za olje meča verige je blokirana. ■ Zgostitev olja pri nizkih temperaturah, 	<ul style="list-style-type: none"> ■ Polnjenje maziva za meč in verigo. ■ Očistite delce lesa v odprtini za olje. ■ Zamenjajte ustrezno olje za mazanje (primerno za nizke temperature).
Indikator nizke ravni olja utripa rdeče ali kaže neobičajno svetlobo, medtem ko je posoda za olje napolnjena z oljem.	<ul style="list-style-type: none"> ■ Posebna uporaba kota naprave onemogoča olju v posodi za olje vstop v rezervoar za olje. ■ Kategorija in barva olja ni priporočljiva. ■ Indikator nizke ravni olja še vedno utripa rdeče. 	<ul style="list-style-type: none"> ■ Verižno žago položite na ravno površino in poskusite znova. ■ Uporabite priporočeno prozorno rumeno, prozorno rdeče ali prozorno olje. ■ Za popravilo se obrnite na podporo za kupce izdelkov EGO.
Indikator nizke ravni olja ne deluje, medtem ko posodi za olje primanjkuje olja.	<ul style="list-style-type: none"> ■ Kategorije in barve olja ni mogoče identificirati. ■ Majhna količina olja še vedno v posodi ali rezervoarju za olje. ■ Indikator nizke ravni olja še vedno ne deluje zaradi zgornjih razlogov. 	<ul style="list-style-type: none"> ■ Uporabite priporočeno prozorno rumeno, prozorno rdeče ali prozorno olje. ■ Nekaj časa uporabljajte verižno žago, potem pa ponovno pogledajte indikator nizke ravni olja. ■ Za popravilo se obrnite na podporo za kupce izdelkov EGO.

SL

GARANCIJA

GARANCIJSKA POLITIKA DRUŽBE EGO

Za popolne pogoje garancijske politike družbe EGO obiščite spletno mesto egopowerplus.com.

PERSKAITYKITE VISĄ INSTRUKCIJĄ!



PERSKAITYKITE VISĄ INSTRUKCIJĄ!

⚠ Liekamasis pavojus! Žmonėms, kuriems implantuoti elektroniniai prietaisai, pvz., širdies stimulatoriai, prieš pradėdami naudoti šį gaminį, reikia pasitarti su savo gydytoju (-ais). Arti širdies stimulatoriaus veikianti elektros įranga gali trikdyti širdies stimulatoriaus veikimą arba jį sugadinti.

SAUGOS SIMBOLIS

Saugos simbolių paskirtis – atkreipti dėmesį į galimus pavojus. Gerai susipažinkite su saugos simboliais bei jų paaiškinimais ir juos įsidėmėkite. Simbolių įspėjimai patys savaime negali apsaugoti nuo pavojų. Jais žymimi nurodymai ir įspėjimai neatstoja tinkamų nelaimingų atsitikimų prevencijos priemonių.

⚠ ĮSPĖJIMAS: Prieš pradėdami naudoti šį įrankį, perskaitykite visus šioje naudojimo instrukcijoje pateiktus saugos nurodymus, taip pat susipažinkite su visais saugos įspėjimaisiais simboliais, tokiais kaip „PAVOJUS“, „ĮSPĖJIMAS“ ir „DĖMESIO“ ir įsitikinkite, ar juos supratote. Nesilaikant visų toliau išdėstytų nurodymų galima patirti elektros smūgį, sukelti gaisrą ir (ar) sunkiai susižaloti.

SIMBOLIO REIKŠMĖ

Šiame puslapyje pavaizduoti ir aprašyti saugos simboliai, kurie gali būti nurodyti ant šio gaminio. Prieš bandydami surinkti ir naudoti įrankį, perskaitykite visus ant jo pateiktus nurodymus, įsitikinkite, ar juos supratote, ir jais vadovaukitės.

SAUGOS SIMBOLIAI



Saugos įspėjimas



Mūvėti tvirtas darbinės pirštines iš patvarios medžiagos.



Avėti neslidžią apsauginę avalynę.



Saugotis atatranks – vengti pjovimo juostos viršūnės prisilietimo prie bet kokios kliūtės.



Pjovimo juostos viršūnės atatranka – viršūne priilietus kliūtį, pjovimo juosta gali staiga atšokti aukštyn ir atgal ir sunkiai sužaloti.



Netinkamus naudoti elektros prietaisus draudžiama išmesti kartu su buitinėmis atliekomis.



Perduoti įgaliotam perdibrėžiui.

V

Voltai



Nuolatinė elektros srovė



Kad sumažintų susižalojimo pavojų, prieš naudodamas šį gaminį naudotojas turi perskaityti naudojimo instrukciją ir įsitikinti, kad ją suprato.



Dėvėti aptemptus drabužius. Nenaudoti šalikų, kaklajuosčių ar papuošalų.



Užsidėti glaudžiai priglundančius apsauginius akinius, kietą apsauginį galvos apdangalą su smakro dirželiu ir naudoti ausų kamštelių ar ausines.



Laikymas abiem rankomis – grandininį pjūklą visada reikia laikyti abiem rankomis.



Informacija apie pjovimo juostą.



Nenaudoti lyjant lietuvi.



Triukšmas



CE

LT

TECHNINIAI DUOMENYS

Įtampa	56 V	
Rekomenduojama darbinė temperatūra:	Nuo -15°C iki 40°C	
Rekomenduojama sandėliavimo temperatūra:	Nuo -40°C iki 70°C	
Optimali įkrovimo temperatūra	Nuo 5°C iki 40°C	
Pjovimo ilgis	300 mm	
Grandinės greitis	20 m/s	
Grandinės žingsnis	3/8 colio (9,5 mm)	
Pjovimo gylio ribotuvas	1,1 mm	
Pjūklo grandinės tipas	AC1200 (Rekomenduojama) AC1400 (Suderinama) AC1600 (Suderinama)	
Pjovimo juostos tipas	AG1200 (Rekomenduojama) AG1400 (Suderinama) AG1600 (Suderinama)	
Svoris (be sudėtinės baterijos ir grandinės užmovos)	3,5 kg	
Išmatuotas garso galios lygis L_{WA}	98,8 dB(A) K=3 dB(A)	
Garso slėgio lygis darbinėje padėtyje L_{PA}	88,1 dB(A) K=3 dB(A)	
Garantuojamas garso galios lygis L_{WA} (išmatuotas pagal 2000/14/EB)	102 dB(A)	
Vibracija a_h	Priekinė rankena	1,73 m/s ² K= 1,5 m/s
	Pagrindinė rankena	2,21 m/s ² K= 1,5 m/s

- Nurodyta bendroji vibracijos vertė išmatuota taikant standartinį bandymo metodą, todėl pagal ją galima palyginti skirtingus įrankius.
- Nurodytą bendrąją vibracijos vertę taip pat galima naudoti pirminiam poveikio vertinimui.

PASTABA: Naudojant įrenginį realiomis sąlygomis, sklaidžiamos vibracijos stiprumo vertė gali skirtis nuo nurodytos. Kad apsisaugotų dirbdamas realiomis sąlygomis, naudotojas turi mūvėti pirštines ir naudoti klausos apsaugos priemones.

APRAŠYMAS

PAŽINKITE SAVO GRANDINIŲ PJŪKLĄ (A1 PAV.)

1. Pjūklo grandinė
2. Atatrankos stabdymo mentė
3. Fiksavimo liežuvelis
4. Pagrindinė rankena
5. Greičio reguliavimo jungiklis
6. Aša
7. Baterijos indikatorius
8. Žemo alyvos lygio indikatorius
9. Priekinė rankena
10. Alyvos bakelio dangtelis
11. Pjovimo juosta
12. Tepimo anga
13. Žvaigždutė
14. Įtempimo varžtas
15. Įjungimo ir išjungimo apsauginis jungiklis
16. Kreipiamasis varžtas
17. Juostos veržlė
18. Šoninis gaubtas
19. Alyvos srauto reguliavimo varžto dangtelis
20. Dulkių šalinimo skyriaus dangtelis
21. Išstūmimo mechanizmas
22. Elektros kontaktai
23. Baterijos atjungimo mygtukas
24. Diržo kablys
25. Sagtis
26. Juosta
27. Kabelis su apsaugine įmaute
28. 1 žiedas
29. Pjūklo kablys
30. Maitinimo kabelio kištukas
31. 2 žiedas
32. Grandinės užmova
33. Universalus raktas

PAKUOTĖS TURINIO SĄRAŠAS (A1 PAV.)

SURINKIMAS

PJOVIMO JUOSTOS IR GRANDINĖS MONTAVIMAS IR IŠĀRDYMAS

⚠ ĮSPĖJIMAS: Prieš pjūklą montuodami ar vykdydami jo techninės priežiūros procedūras, visada atjunkite maitinimo kabelio kištuką ir užsimaukite apsaugines pirštines.

⚠ ĮSPĖJIMAS: Perskaitykite ir peržiūrėkite visus su šiuo elektriniu įrankiu pateiktus saugos nurodymus, instrukcijas, iliustracijas ir specifikacijas. Nesilaikant visų toliau išdėstytų nurodymų galima patirti elektros smūgį, sukelti gaisrą ir (ar) sunkiai susižaloti.

Išsaugokite visas instrukcijas su išpėjimais, nes jų gali prireikti ateityje.

1. Atatrakos stabdymo mentė turi būti padėtyje.
2. Atsukite **juostos veržlę (A-17)** prieš laikrodžio rodyklę ir nuimkite šoninį gaubtą (A-18).
3. Paguldyskite pjūklą grandinės kilpą ant lygtaus paviršiaus ir ištiesinkite sulenktas vietas (B1 pav.).
4. Įstatykite grandinės **varančiuosius narelius (B-1)** į kreipiamosios juostos **griovelį (B-2)** ir palikite grandinės kilpą kreipiamosios juostos gale (B2 pav.).
5. Laikykite grandinę tokioje padėtyje ant kreipiamosios juostos ir uždėkite kilpą ant variklio galvutės **grandinės žvaigždutės (B-3)**; po to patikrinkite šias dalis (B3 pav.):
 - a) Ar grandinės varantieji nareliai uždėti ant **grandinės žvaigždutės (B-3)** dantukų;
 - b) Ar **įtempimo varžtas (B-4)** ir **kreipiamasis varžtas (B-5)** įstatyti į kreipiamosios juostos plyšį; Ar **įtempimo kaištis (B-6)** įstatytas į kreipiamosios juostos angą.

PASTABA: Rodyklės ant pjūklą grandinės dantukų visada turi būti nukreiptos į priekį (B3 pav.).

6. Kaip tinkamai uždėti grandinę, kad ji nekliūtų, skaitykite skyriuje „PJŪKLO GRANDINĖS ĮTEMPIMAS“.
7. Abu šoninio gaubto **kreipiamuosius strypelius (B-7)** įtaikykite į atitinkamas pjūklą **angas (B-8)** ir uždėkite šoninį gaubtą (B4 pav.).
8. Priveržkite juostos veržlę.

B-1	Varantieji nareliai	B-5	Kreipiamasis varžtas
B-2	Griovelis	B-6	Įtempimo kaištis
B-3	Grandinės žvaigždutė	B-7	Kreipiamieji strypeliai
B-4	Įtempimo varžtas	B-8	Angos

PASTABA: Jeigu kreipiamąją juostą reikia keisti, nuimkite šoninį gaubtą ir pritvirtinkite jį prie naujos kreipiamosios juostos, kaip parodyta C pav.

DARBAS

PASKIRTIS

- Šis grandininis pjūklas yra skirtas medžiams genėti ir prižiūrėti.



Šį pjūklą gali naudoti tik asmenys, kurie yra specialiai apmokyti genėti ir prižiūrėti medžius.

PASTABA: Pirmą kartą pjūklą naudojančiam asmeniui rekomenduojama jį išbandyti pjaustant rąstgalius ant ožio.

PJŪKLO GRANDINĖS ĮTEMPIMAS

⚠️ IŠPĖJIMAS: Niekada nelieskite ir nereguliuokite grandinės, kai paleistas variklis. Pjūklą grandinė yra labai aštri; vykdydami grandininio pjūklą priežiūros darbus būtinai mūvėkite apsaugines pirštines.

Įprasto pjovimo darbo metu pjūklą grandinė įsitempia arba susitraukia. Dėl to keičiasi grandinės įtempimas. Darbo metu reguliariai tikrinkite grandinės įtempimą ir sureguliuokite, kai reikia.

1. Išjunkite grandininį pjūklą, įjunkite grandinės stabdį ir atjunkite maitinimo kabelio kištuką.
2. Atlaisvinkite juostos veržlę, kad reguliuojama kreipiamoji juosta galėtų laisvai judėti.
3. Laikykite nukreipę juostos viršūnę į viršų ir sukite įtempimo varžtą, kol:
 - a) grandinės įlinkis juostos centre bus apie 1–2 mm (D pav.);
 - b) išjungę grandinės stabdį patikrinkite, ar galite dviem pirštais patraukti grandinę ant juostos.

PASTABA: Šią patikros procedūrą vykdykite atsargiai, kad nesusižalotumėte. Kadangi šio pjūklą nuolatinė srovės variklyje yra magnetinės medžiagos, traukdami grandinę dviem pirštais jausite didesnį pasipriešinimą, lyginant su įprastais benzininiais grandininiais pjūklais. Grandinė nejudės taip lengvai, kaip benzininiame grandininiam pjūkle.

4. Laikydami nukreipę juostos viršūnę į viršų priveržkite juostos veržlę.

PASTABA: Jeigu grandinės įlinkis juostos centre nėra 1–2 mm, grandinės įtempimą sureguliuokite iš naujo.

ALYVOS BAKELIO PRIPILDYMAS

1. Atjunkite nuo grandininio pjūklą maitinimo kabelio kištuką.
2. Paguldyskite grandininį pjūklą ant šono ant tvirto ir lygtaus paviršiaus taip, kad alyvos bakelio dangtelis būtų viršuje. Atsukite alyvos bakelio dangtelį. Jeigu jis labai priveržtas, atsukite naudodami pridedamą universalų raktą (E pav.).
3. Į alyvos bakelį atsargiai įpilkite alyvos. Pripilkite iki bakelio kakliuko apačios. Nušluostykite alyvos perteklių ir užsukite dangtelį.

PASTABA:

- Įsigytas naujas grandininis pjūklas neužpildytas alyva. Prieš naudojant pjūklą, bakelį būtina pripildyti alyvos. Dirbant grandinė automatiškai tepama grandinių alyva.

LT

- Ji specialiai skirta trinčiai sumažinti ir pjovimui paspartinti.
- Niekada nenaudokite alyvos ar kitų tepimo priemonių, kurios nėra skirtos juostai ir grandinei tepti. Priešingu atveju tepimo sistema gali užsikimšti, ir tuomet greičiau sudils juosta ir grandinė.

ALYVOS SRAUTO REGULIAVIMAS (F PAV.)

- Šio pjūklo apačioje yra **alyvos srauto reguliavimo varžtas (F-1)**, kuriuo galima reguliuoti grandinės, juostos ir pjovimo sistemos tepimo alyvos srautą. Srautas didinamas ir mažinamas sukant šį varžtą rodyklės ant korpuso nurodyta kryptimi.

LED INDIKATORIAI ANT GRANDININIO PJŪKLO

Ant grandininio pjūklo yra 2 LED indikatoriai, kurie rodo alyvos lygio būseną ir sudėtinės baterijos (-ų) įkrovos būseną.

LED indikatorius	Reikšmė	Veiksmas	
Žemo lygio indikatorius (A-8)	Mirksi raudonas	Trūksta alyvos	Papildyti alyvos bakelį
	Išjungtas	Alyvos pakanka	/
Baterijos indikatorius (A-7)	Dega žalias	Sudėtinė baterija įkrauta	/
	Mirksi žalias	Sudėtinė baterija beveik išsekvota ir ją reikia nedelsiant įkrauti.	Įkrauti bateriją

LT

BATERIJOS DĒKLO PRIKABINIMAS PRIE LAIPIOJIMO DIRŽŲ

Šio grandininio pjūklo komplekte yra baterijos dėklas baterijai įdėti, kurį galima prikabinti prie laipiojimo diržų (komplekte nėra).

PASTABA: Prieš užsidėdami laipiojimo diržus, tvirtai prikabininkite prie jų baterijos dėklą.

- Susiraskite tinkamą vietą baterijos dėklui ant laipiojimo diržų prikabininti ir prikabininkite **diržo kabliu (G-1)** (G1 pav.).
- Apsukite juostą aplink laipiojimo diržus, kad pritvirtintumėte baterijos dėklą (G2 ir G3 pav.).
- Dvimi karabinais (komplekte nėra) prikabininkite prie laipiojimo diržų abu kabelio su apsaugine įmaute **žiedus (G-2)**, kaip parodyta G4 pav.

G-1	Diržo kablys	G-2	Žiedai
-----	--------------	-----	--------

PASTABA:

- Lipdami į medį prikabininkite 1 ir 2 kabelio su apsaugine įmaute žiedus prie laipiojimo diržų karabinais (komplekte nėra) (G5 pav.).
- Kai pjaunate pjūklą, atkabinkite 2 žiedą nuo laipiojimo diržų, o pjūklą laikykite abiem rankomis (G6 pav.).

PJŪKLO TVIRTINIMAS PRIE BATERIJOS DĒKLO

Prikabininkite kabelio su apsaugine įmaute **pjūklo kabli (H-2)** prie ašos (H-1) (H pav.).

H-1	Aša	H-2	Pjūklo kablys
-----	-----	-----	---------------

SUDĒTINĖS BATERIJOS ĮSTATYMAS IR IŠĖMIMAS

PASTABA: Prieš naudodami sudėtinę bateriją pirmą kartą visiškai ją įkraukite.

Įstatymas (I1 pav.)


Įtaikykite sudėtinės baterijos iškyšą į baterijos dėklo griovelius ir stumkite žemyn, kol baterija užsifiksuos.

Išėmimas (I2 pav.)

Nykščiu nuspauskite baterijos atjungimo mygtuką ir ištraukite sudėtinę bateriją.

GRANDININIO PJŪKLO PALEIDIMAS IR IŠJUNGIMAS

Paleidimas

1. Sulyginkite „▲“ žymes ant **maitinimo kabelio kištuko (J-2)** ir grandininio pjūklo **maitinimo lizdo (J-1)** ir stumkite kištuką gilyn į lizdą, kol ŽALIAS kištuko tarpiklis VISIŠKAI pasislėps lizde (J1 pav.).
2. Įjungimo ir išjungimo jungiklį nustatykite į „ON“ padėtį (J2 pav.).
3. Patraukite atatrankos stabdymo mentę link pagrindinės rankenos į  padėtį.
4. Pastumkite **fiksavimo liežuvėlį (J-3)** į priekį ir tuomet paspauskite **greičio reguliavimo jungiklį (J-4)**. Kuo stipriau spausite greičio reguliavimo jungiklį, tuo didesniu greičiu suksis pjūklo grandinė (J3 pav.).

J-1	Maitinimo lizdas	J-3	Fiksavimo liežuvėlis
J-2	Maitinimo kabelio kištukas	J-4	Greičio reguliavimo jungiklis

Sustabdymas

1. Atleiskite greičio reguliavimo jungiklį ir grandininį pjūklą sustabdysite.

PASTABA: Atleidus greičio reguliavimo jungiklį, grandininis pjūklas dar kurį laiką suksis. Saugokitės, kad neprisilietumėte prie grandinės iš karto po jungiklio atleidimo ar padėdami grandininį pjūklą.

2. Atatrunkos stabdymo mentę pastumkite į priekį į stabdymo padėtį „S“.
3. Įjungimo ir išjungimo jungiklį nustatykite į „OFF“ padėtį.

⚠️ ĮSPĖJIMAS: Darydami pertraukas arba baigę dirbti, visada nuo grandininio pjūklo atjunkite maitinimo kabelio kištuką.

PASIRUOŠIMAS PJAUTI

Tinkamas rankenų laikymas (K pav.)

Mūvėkite neslidžias pirštines, užtikrinančias tvirtiausią sugriebimą ir apsaugą.

Kairiąja ranka visada laikykite priekinę rankeną, o dešiniąja – pagrindinę rankeną.

Pirštai turi apimti rankeną. Priekinės rankenos apačioje turi būti nykštys.

⚠️ ĮSPĖJIMAS: Niekada nelaikykite pagrindinės rankenos kairiąja ranka (nesukryžiuokite rankų) ir nestovėkite taip, kad kūnas arba ranka kirstų grandinės plokštumą.

⚠️ ĮSPĖJIMAS: Greičio reguliavimo jungiklio nespauskite kaire ranka, o priekinės rankenos nelaikykite dešine ranka. Pjaudami grandininio pjūklu niekada nestovėkite taip, kad kūnas arba ranka kirstų grandinės plokštumą (L pav.).

GRANDINĖS TEPIMO TIKRINIMAS (M PAV.)

PASTABA: Grandininio pjūklo alyvos bakelis turi būti pripildytas pakankamu grandinės alyvos kiekiu.

1. Laikykite kreipiamąją juostą virš šviesios spalvos paviršiaus.
2. Įjunkite pjūklą. Jei grandinės tepimo sistema veikia tinkamai, po 1 minutės ant šviesios spalvos paviršiaus pamatysite aiškų alyvos liniją.
3. Jeigu alyvos linijos ant paviršiaus nesimato, sureguliuokite grandinės tepimą pagal nurodymus skyriuje „ALYVOS SRAUTO REGULIAVIMAS“.

DARBAS MEDYJE

⚠️ ĮSPĖJIMAS: pjaunant arba lipant į medį rekomenduojama naudoti papildomą atramą, pvz., apkabas pėdoms ar reguliuojamą diržą, kad jūsų kūnas nesiūbuotų ir neišsijautumėte.

Prieš pradėdami darbą patikrinkite šias dalis:

Patikrinkite dilimo žymes ant **grandinės žvaigždutės (N-1)**; jei išdilimas viršija 0,5 mm, kreipkitės į „EGO“ techninės priežiūros centrą, kad žvaigždutę pakeistų.

Patikrinkite stabdymo sistemą; jei **stabdžio įdėklas (N-2)** išdilęs nelygiai, kreipkitės į „EGO“ techninės priežiūros centrą, kad įdėklą pakeistų (N pav.).

N-1	Grandinės žvaigždutė	N-2	Stabdžio įdėklas
-----	----------------------	-----	------------------

- Patikrinkite kreipiamąją juostą, žr. atitinkamą skyrių **KREIPIAMOSIOS JUOSTOS TECHNINĖ PRIEŽIŪRA**
- Patikrinkite pjūklo grandinę, žr. atitinkamą skyrių **GRANDINĖS TECHNINĖ PRIEŽIŪRA**
- Išbandykite grandinės stabdį, žr. atitinkamą skyrių **APSAUGOS NUO ATATRANKOS ĮTAISAI ŠIAME**

GRANDININIAME PJŪKLE

- Patikrinkite pjūklo valdymo įtaisus, žr. atitinkamą skyrių **GRANDININIO PJŪKLO PALEIDIMAS IR IŠJUNGIMAS**
- Patikrinkite grandinės tepimą, žr. atitinkamą skyrių **GRANDINĖS TEPIMO TIKRINIMAS**

TECHNINĖ PRIEŽIŪRA

VALYMAS

- Kaskart panaudoję, minkštu šepetėliu nuvalykite nešvarumus nuo grandinės ir kreipiamosios juostos. Grandininio pjūklo paviršių valykite švaria šluoste, sudrėkinta mažos koncentracijos muilo tirpalu.
- Jei norite išvalyti iš pagrindų, nuimkite šoninį gaubtą, kreipiamąją juostą ir juostos grandinę. Minkštu šepetėliu nuvalykite šiuokšles nuo kreipiamosios juostos, pjūklo grandinės ir varančiosios žvaigždutės ant variklio galvutės.
- Keisdami pjūklo grandinę iš pjovimo juostos griovelio būtinai išvalykite medienos skiedras, pjuvenas ir nešvarumus.

DULKIŲ IŠVALYMAS

- Atjunkite maitinimo kabelio kištuką, palaukite, kol grandininis pjūklas atvės, ir priveržkite alyvos bakelio dangtelį.
- Įjunkite pjūklo stabdį.
- Pridedamu universaliu raktu atsukite **dulkių šalinimo skyriaus dangtelio (O-1)** varžtą ir atidarykite skyrių (O1 pav.).

LT

- Iš priešingos oro įsiurbimo angai (O-2) pusės sausu suslėgtuoju oru iš aušinimo grotelių išspūskite pjūvenas ir medienos atplaišas (O2 pav.).

O-1	Dulkių šalinimo skyriaus dangtelis	O-2	Oro įsiurbimo anga
-----	------------------------------------	-----	--------------------

KREIPIAMOSIOS JUOSTOS TECHNINĖ PRIEŽIŪRA

Kai ant krepjamosios juostos pasirodo nudilimo požymiai, nuimkite ją nuo grandininio pjūklo variklio galvutės, apverskite ir vėl uždėkite (P1 pav.); tokiu būdu maksimaliai pratęsite jos eksploataavimo trukmę.

Kiekvieną dieną, kai dirbate su įrankiu, reikia nuvalyti juosta (įskaitant juostos bėgelius (P-1) ir tepimo angą (P-2)) ir patikrinti, ar ji nesudilusi ir nepažeista (P2 pav.). Juostos bėgelių šiaušimasis arba šerpetų atsiradimas juose yra normalūs juostos dilimo požymiai. Atsiradusius tokius nelygumus galima pašalinti su dilde. Kreipiamąją juosta, kurioje yra toliau nurodytų defektų, reikia pakeisti. Išdilimas juostos bėgelyje, leidžiantis grandinei pakrypti.

- Įlenkta pjovimo juosta.
- Įtrūkę arba sulūžę bėgeliai.
- Išsiplėtę bėgeliai.

Juostos viršūnėje yra žvaigždutė. Žvaigždutę reikia kas savaitę sutepti tepimo švirkštu, kad prailgintumėte krepjamosios juostos eksploataavimo trukmę (P3 ir P4 pav.). Sukite viršūnės žvaigždutę (P-3), švirkšdami permatomą geltoną, permatomą raudoną ar permatomą tepalą į tepimo angą (P-4), kol nauju tepalu suteptsite visą žvaigždutę. Neįstumkite į tepimo angą nešvarumų.

P-1	Juostos bėgeliai	P-3	Žvaigždutė
P-2	Tepimo anga	P-4	Tepimo anga

GRANDINĖS TECHNINĖ PRIEŽIŪRA

Šiam pjūklui naudokite tik nuo atatranksos saugančias grandines. Tinkamai prižiūrint šią greitą pjovimo grandinę, ji sumažina atatranką.

Su tinkamai išgaląsta grandine galima be didelių pastangų ir labai silpnai spaudžiant pjauti medį. Niekada nenaudokite atšipusios arba pažeistos grandinės. Dėl atšipusių pjūklo grandinės pjovimo narelių išauga fizinė įtampa, padidėja vibracija, pjūklas prasčiau pjauna ir greičiau dyla.

Kad grandinė pjautų sklandžiai ir greitai, ją reikia tinkamai prižiūrėti. Grandinę reikia pagalšti, kai medžio pjūvenos tampa smulkios ir panašios į miltelius, kai pjaunant reikia stipriai spausti grandinę į medį arba kai grandinė pjaudama krypta į šoną. Vykdydami pjūklo grandinės techninės priežiūros darbus, atsižvelkite į toliau nurodytus dalykus:

Netinkamas šoninės plokštelės galandimo kampas gali padidinti pavojų, kad įvyks stipri atatranka.

- Pjovimo gylio ribotuvo tarpelis: per mažas tarpelis padidina atatranksos tikimybę; nepakankamai mažas tarpelis sumažina pjovimo našumą.
- Jei pjovimo narelių dantukai kliudę kietą daiktą, pvz., vinių arba akmenis, arba atbuko nuo purvo ir smėlio, esančio ant medienos, pasirūpinkite, kad grandinę pagalastų kvalifikuotas techninės priežiūros specialistas.

PASTABA: rekomenduojama, kad pjūklo grandinę galastų ir techniškai prižiūrėtų įgalioto techninės priežiūros centro specialistai.

GABENIMAS IR LAIKYMAS

- Nepalikite laikymo vietoje ir neneškite įjungto grandininio pjūklo. Prieš padėdami į laikymo vietą arba gabendami visada išimkite sudėtinę bateriją.
- Visada uždėkite užmovą ant pjovimo juostos prieš palikdami grandininį pjūklą laikymo vietoje arba gabendami. Būkite atsargūs, kad nepaliestumėte aštrių grandinės dantukų.
- Kruopščiai nuvalykite grandininį pjūklą prieš palikdami jį laikymo vietoje. Grandininį pjūklą laikykite patalpoje, kuri yra sausa, rakinama ir (ar) vaikams neprieinama.
- Laikykite toliau nuo esdinančių medžiagų, pvz., sodo chemikalų ir ledo tirpymo druskų.

Aplinkos apsauga



WEEE (elektrinės ir elektroninės įrangos atliekos). Neišmeskite elektros įrangos, panaudotų baterijų ir įkroviklio kartu su buitinėmis atliekomis! Šias atliekas reikia pristatyti į jų surinkimo vietą ar įgaliotam perdirbėjui. Elektrinius įrankius reikia gražinti į atitinkamą perdirbimo įmonę.

TRIKČIŲ ŠALINIMAS

PROBLEMA	PRIEŽASTIS	SPRENDIMAS
Neįsijungia variklis.	<ul style="list-style-type: none"> ■ Baterijos dėklo maitinimo kabelio kištukas neprijungtas prie grandininio pjūklo. ■ Nėra elektrinio kontakto tarp baterijos dėklo ir sudėtinės baterijos. ■ Nepakeltas aukštyn fiksavimo liežuvelis. ■ Įjungimo ir išjungimo jungiklis nustatytas į „OFF“ padėtį. ■ Įjungtas grandinės stabdys. 	<ul style="list-style-type: none"> ■ Įkiškite baterijos dėklo maitinimo kabelio kištuką į grandininio pjūklo maitinimo lizdą. ■ Išimkite bateriją, patikrinkite kontaktus ir vėl įstatykite sudėtinę bateriją. ■ Prieš paleidimą palenkite į viršų fiksavimo liežuvelį. ■ Nustatykite įjungimo ir išjungimo jungiklį į „ON“ padėtį. ■ Patraukite grandinės atatrankos stabdymo mentę link viršutinės rankenos į darbinę padėtį.
Grandinė sustoja darbo metu.	<ul style="list-style-type: none"> ■ Sudėtinė baterija arba grandininis pjūklas pernelyg įkaitę. ■ Grandininio pjūklo perkrova. ■ Vėdinimo angas užkimšo pjūvenos. ■ Sudėtinė baterija visiškai išsikrovusi. 	<ul style="list-style-type: none"> ■ Atvėsinkite sudėtinę bateriją arba grandininį pjūklą. ■ Sumažinkite apkrovą. ■ Išvalykite dulkes, žr. skyrių „DULKIŲ IŠVALYMAS“. ■ Įkraukite sudėtinę bateriją.
Neįsijungia grandinės stabdys.	<ul style="list-style-type: none"> ■ Dėl šiukšlių grandinės atatrankos stabdymo mentė negali laisvai judėti. ■ Galimas grandinės stabdžio gedimas. 	<ul style="list-style-type: none"> ■ Nuvalykite nešvarumus nuo išorinio grandinės stabdžio mechanizmo. ■ Kreipkitės į „EGO“ klientų aptarnavimo tarnybą dėl remonto.
Pjovimo metu grandinė netepama.	<ul style="list-style-type: none"> ■ Grandinės alyvos bakelis yra tuščias. ■ Užkimšta grandinės juostos alyvos ištekėjimo anga. ■ Žemoje temperatūroje alyva sutirštėjo. 	<ul style="list-style-type: none"> ■ Įpilkite pjovimo juostos ir grandinės alyvos. ■ Nuvalykite dulkes nuo alyvos ištekėjimo angos. ■ Pakeiskite alyvą tinkamo tipo alyvą (tinkančią žemai temperatūrai).
Raudonas žemo alyvos lygio indikatorius mirksi arba neįprastai dega pilant į alyvos bakelį alyvą.	<ul style="list-style-type: none"> ■ Dėl neįprasto įrankio pakreipimo kampo alyva iš bakelio negali ištekėti į alyvos vamzdelį. ■ Naudojama netinkamo tipo ir spalvos alyva. ■ Vis dar mirksi raudonas žemo alyvos lygio indikatorius. 	<ul style="list-style-type: none"> ■ Išlyginkite grandininį pjūklą ir bandykite dar kartą. ■ Naudokite rekomenduojamą permatomą geltoną, permatomą raudoną ar permatomą alyvą. ■ Kreipkitės į „EGO“ klientų aptarnavimo tarnybą dėl remonto.
Žemo alyvos lygio indikatorius nešviečia, nors alyvos bakelyje trūksta alyvos.	<ul style="list-style-type: none"> ■ Negalima nustatyti alyvos tipo ir spalvos. ■ Alyvos bakelyje arba vamzdelyje dar liko nedidelis alyvos kiekis. ■ Žemo alyvos lygio indikatorius neveikia dėl pirmiau aprašytų priežasčių. 	<ul style="list-style-type: none"> ■ Naudokite rekomenduojamą permatomą geltoną, permatomą raudoną ar permatomą alyvą. ■ Papjunkite dar kurį laiką grandininį pjūklą ir vėl patikrinkite žemo alyvos lygio indikatorius. ■ Kreipkitės į „EGO“ klientų aptarnavimo tarnybą dėl remonto.

LT

GARANTIJA

EGO GARANTINĖ POLITIKA

Jei norite sužinoti visas „EGO“ garantinės politikos sąlygas, apsilankykite interneto svetainėje egopowerplus.com.

IZLASIET VISAS INSTRUKCIJAS!



IZLASIET LIETOTĀJA ROKASGRĀMATU

⚠ Citi riski! Personām, kuras lieto elektroniskas ierīces, piemēram, elektrokardiostimulatorus, pirms šīs ierīces lietošanas jākonsultējas ar savu ārstu. Elektriskā aprīkojuma darbība sirds elektrokardiostimulatora tuvumā var radīt stimulatora darbības traucējumus vai kļūmes.

DROŠĪBAS APZĪMĒJUMS

Drošības apzīmējumi ir paredzēti, lai pievērstu jūsu uzmanību iespējamām apdraudējumiem. Pievērsiet uzmanību drošības apzīmējumiem un to skaidrojumiem, un izprotiet tos. Brīdinājumu apzīmējumi paši par sevi nenovērš apdraudējumu. Tajos ietvertie norādījumi un brīdinājumi neaizstāj atbilstošu negadījumu novēršanas pasākumu īstenošanu.

⚠ BRĪDINĀJUMS! Pirms šī instrumenta lietošanas izlasiet un izprotiet visus šajā lietotāja rokasgrāmatā iekļautos drošības norādījumus, tostarp visus drošības brīdinājuma apzīmējumus, piemēram, „**BĪSTAMI!**”, „**BRĪDINĀJUMS!**” un „**UZMANĪBU!**”. Visu turpmāk uzskaitīto norādījumu neievērošana var izraisīt elektriskās strāvas triecienu, aizdegšanos un vai smagus miesas bojājumus.

SIMBOLA NOZĪME

Šajā lapaspusē ir parādīti un aprakstīti drošības apzīmējumi, kas var būt norādīti uz šī izstrādājuma. Pirms iekārtas montāžas un lietošanas izlasiet, izprotiet un ievērojiet visus uz iekārtas sniegtos norādījumus.

DROŠĪBAS APZĪMĒJUMI



Drošības brīdinājums



Lai mazinātu traumu rašanās bīstamību, pirms šī izstrādājuma lietošanas tā lietotājam jāizlasa un jāizprot lietošanas rokasgrāmata.



Valkāt izturīgus darba cimdus, kas izgatavoti no izturīga materiāla



Valkāt cieši pieguļošu apģērbu. Nevalkāt šalli, kaklasaiti vai rotaslietas



Valkāt neslidošus drošības apavus



Valkāt cieši pieguļošas aizsargbrilles, ausu ieliktņus vai austiņas un aizsargepurī ar zoda siksnu



Uzmanieties no atsitienu — sliedes augšējais gals nedrīkst saskarties ar nevienu priekšmetu



Turēt ar abām rokām — ķēdes zāģi vienmēr darbiniet ar abām rokām.



Vadslīdes gala atsitiens — gala saskare var izraisīt pēkšņu vadslīdes kustību uz augšu un atpakaļ, kā rezultātā varat gūt nopietnus ievainojumus.



Vadotnes sliedes informācija.



Elektrisko izstrādājumu atkritumus nedrīkst izmest kopā ar sadzīves atkritumiem. Nogādāt uz pilnvarotu pārstrādes punktu.



Sargāt no lietus.

V Volti



Troksnis

— — — Līdzstrāva



CE

SPECIFIKĀCIJAS

Spriegums	56 V	
Ieteicamā darba temperatūra:	-15°C-40°C	
Ieteicamā uzglabāšanas temperatūra:	-40°C-70°C	
Optimālā uzlādes temperatūra	5°C-40°C	
Griešanas garums	300 mm	
Ķēdes ātrums	20 m/s	
Ķēdes solis	3/8" (9,5 mm)	
Ķēdes mērinstruments	1,1 mm	
Zāģa ķēdes veids	AC1200 (Ieteiktais) AC1400 (Saderīgais) AC1600 (Compatible)	
Vadslīdes veids	AG1200 (Ieteiktais) AG1400 (Saderīgais) AG1600 (Saderīgais)	
vars (bez akumulatora, ķēdes pārvalka)	3,5 kg	
Izmērītais skaņas intensitātes līmenis L_{WA}	98,8 dB(A) K=3 dB(A)	
Trokšņa spiediena līmenis operatora vietā L_{PA}	88,1 dB(A) K=3 dB(A)	
Garantētais skaņas intensitātes līmenis L_{WA} (saskaņā ar Direktīvu Nr. 2000/14/EK)	102 dB(A)	
Vibrācijas a_h	Priekšējais rokturis	1,73 m/s ² K= 1,5 m/s
	Galvenais rokturis	2,21 m/s ² K= 1,5 m/s

- Norādītā vibrāciju kopējā vērtība ir izmērīta saskaņā ar standarta pārbaudes metodi un var tikt izmantota, lai salīdzinātu vairākus instrumentus.
- Deklarēto vibrāciju emisijas vērtību var arī lietot iepriekšējai vibrāciju iedarbības novērtēšanai.

PIEZĪME! Vibrāciju emisijas faktiskajā elektroinstrumenta darbināšanas laikā var atšķirties no norādītās vērtības. Lai pasargātu operatoru, lietotājam jāvalkā cimdi un dzirdes aizsargā līdzekļi atbilstoši patiesajiem darba apstākļiem.

APRAKSTS

PĀRZINIET SAVU ĶĒDES ZĀĢI (A1 att.)

- Zāģa ķēde
- Atsitiņa bremzes rokturis
- Fiksācijas mēlīte
- Galvenais rokturis
- Regulējama ātruma slēdzis
- Actiņa
- Akumulatora indikators
- Zema eļļas līmeņa indikators
- Priekšējais rokturis
- Eļļas tvertnes vāciņš
- Vadslīde
- Eļļošanas atvere
- Ķēdesrats
- Spriegošanas skrūve
- IESL./IZSL. drošības slēdzis
- Vadotnes bultskrūve
- Slīdes uzgrieznis
- Samontēts sānu pārsegs
- Eļļas plūsmas regulēšanas skrūves vāciņš
- Putekļu iztukošanas vāciņš
- Izsviešanas mehānisms
- Elektriskie kontakti
- Akumulatora atbrīvošanas poga
- Siksna āķis
- Sprādze
- Siksna
- Štrope
1. gredzens
- Zāģa āķis
- Strāvas kontaktdakša
2. gredzens
- Ķēdes pārvalks
- Kombinētā atslēga

LV

IEPAKOJUMA SATURA SARAKSTS (A1 ATT.)


MONTĀŽA

SLĪEDES UN ĶĒDES MONTĀŽA/IZJAUKŠANA

⚠ BRĪDINĀJUMS! Pirms izstrādājuma montāžas vai apkopes vienmēr izvelciet no barošanas avota strāvas kontaktdakšu un valkājiet aizsargcimdus.

⚠ BRĪDINĀJUMS! Izlasiet visus ar šo elektroinstrumentu saistītos drošības brīdinājumus, norādījumus, specifikācijas un aplūkojiet attēlus. Visu turpmāk uzskaitīto norādījumu neievērošana var izraisīt elektriskās strāvas triecienu, aizdegšanos un/vai nopietnas traumas.

Saglabājiet visus brīdinājumus un instrukcijas turpmākai atsaucēi.

1. Pārlicinieties, vai atsitiena bremzes rokturis ir iestatīts  stāvoklī.
2. Lai noņemtu **samontēto sānu pārsegu (A-18)**, atskrūvējiet **slīdes uzgriezni (A-17)** pretēji pulksteņrādītāja kustības virzienam.
3. Novietojiet zāģa ķēdi cilpā uz līdzenas virsmas un iztaisnojiet visus mezglus. (B1 att.)
4. Ievietojiet ķēdes piedziņas posmus (B-1) vadslīdes gropē (B-2) un novietojiet ķēdi tā, lai cilpa atrastos vadslīdes aizmugurē. (B2 att.)
5. Turiet ķēdi tās vietā uz vadslīdes un uzlieciet cilpu apkārt instrumentgalvas ķēdesratam (B-3) un pārbaudiet šādus punktus (B3 att.):
 - a) ķēdes piedziņas posmi ir iekļāvušies **ķēdes rata (B-3)** zobos;
 - b) **spriegošanas skrūve (B-4)** un **vadotnes bultskrūve (B-5)** atrodas vadotnes spraugā; **spriegošanas tapa (B-6)** ir iespiesta vadslīdes atverē.

PIEZĪME! Bultiņu virzienam uz zāģa ķēdes zobiem vienmēr ir jābūt vērstat virzienā uz priekšu (B3. att.).

6. Lai pārlicinātos, vai ķēde ir pareizi samontēta un neķeras, izlasiet sadaļu „ZĀĢA ĶĒDES SPRIEGOŠANA”.
7. Salāgojiet abus samontētā sānu pārsega **vadstieģus (B-7)** ar attiecīgajiem zāģa **caurumiem (B-8)**, pēc tam uzstādiēt samontēto sānu pārsegu. (B4 att.)
8. Pievelciet slīdes uzgriezni.

B-1	Piedziņas posmi	B-5	Vadotnes bultskrūve
B-2	Rieva	B-6	Spriegošanas tapa
B-3	Ķēdes rata pārsegs	B-7	Vadstieņi
B-4	Spriegošanas skrūve	B-8	Montāžas caurumi

PIEZĪME! Ja ir jānomaina vadslīde, demontējiet vadslīde samontēto sānu pārsegu un uzstādiēt jaunajai vadslīdei, kā parādīts C. attēlā.

EKSPLUATĀCIJA

PIELIETOJUMS

- Šis ķēdes zāģis ir īpaši paredzēts koku apkopšanai un formas uzturēšanai.



Šo zāģi drīkst izmantot tikai personas, kas ir īpaši apmācītas veikt koku kopšanas darbus.

PIEZĪME! Lietotājam, kas pirmo reizi sāk lietot zāģi, baļķu zāģēšanai ieteicams obligāti izmantot steķi vai citu ierīci, uz kuras novietot un zāģēt kokmateriālu.

ZĀĢA ĶĒDES SPRIEGOŠANA

▲ BRĪDINĀJUMS! Nekad nepieskarieties vai neregulējiet ķēdi, kamēr darbojas zāģa dzinējs. Zāģa ķēde ir ļoti asa; veicot ķēdes apkopi, vienmēr valkājiet aizsargcimdus.

Zāģa ķēde parastas darbības laikā paplašinās vai saraujas. Tā rezultātā mainās ķēdes spriedze. Zāģēšanas laikā regulāri pārbaudiet ķēdes spriegojumu un, ja nepieciešams, noregulējiet.

1. Izslēdziet ķēdes zāģi, ieslēdziet ķēdes bremzi un atvienojiet no barošanas avota strāvas kontaktdakšu.
2. Atskrūvējiet slīdes uzgriezni, lai vadstieni varētu brīvi pārvietot noregulēšanas vajadzībām.
3. Turiet slīdes galu uz augšu un noregulējiet spriegošanas skrūvi, līdz tiek sasniegts sekojošais:
 - a) ķēdes nokare slīdes vidusdaļā ir apmēram: 1 - 2 mm (D att.).
 - b) Atvienojiet ķēdes bremzi, pārlicinieties, vai ķēdi var pavilkt ap slīdi ar diviem pirkstiem.

PIEZĪME! Rūpīgi veiciet šo darbību, lai izvairītos no miesas bojājumiem. Šis līdzstrāvas motors atšķirībā no parastā benzīna ķēdes zāģa motora satur magnētisko materiālu, tāpēc, velkot zāģa ķēdi ar diviem pirkstiem, var sajūst zināmu pretestību. Vilkšana nebūs tik vienmērīga, kā tas ir benzīna ķēdes zāģa gadījumā.

4. Turiet slīdes galu uz augšu un pievelciet slīdes uzgriezni.

PIEZĪME! Ja ķēdes nokare slīdes vidusdaļā nav 1 - 2 mm, vēlreiz noregulējiet ķēdes spriegojumu.

EĻĻAS TVERTNES UZPILDĪŠANA

1. Izņemiet strāvas kontaktdakšu no ķēdes zāģa.
2. Nolieciet ķēdes zāģi uz sāniem uz cietas un līdzenas virsmas tā, lai eļļas tvertnes vāciņš būtu vērsts uz augšu. Atveriet eļļas tvertnes vāciņu. Ja tas ir pārāk cieši aizskrūvēts, izmantojiet kombinēto uzgriežņu atslēgu (iekļauta komplektā), lai atskrūvētu. (E att.)
3. Uzmanīgi ielejiet eļļas tvertnē eļļu. Aizpildiet līdz aizpildīšanas kakliņa apakšējai daļai. Noslaukiet visu notecejušo eļļu un aizveriet ciet.

PIEZĪME!

- Iegādes brīdī ķēdes zāģī nav iepildīta eļļa. Pirms lietošanas tvertnē noteikti ir jāiepilda eļļa. Darbības laikā ķēde tiek automātiski ieeļļota ar ķēdes eļļu.

- Tā ir speciāli izstrādāta zemas berzes un ātrākas griešanas nodrošināšanai.
- Nekad nelietojiet eļļu vai citas smērvielas, kas nav īpaši paredzētas lietošanai uz sliedes un ķēdes. Tas var aizsērēt eļļas sistēmu, izraidojot priekšlaicīgu sliedes un ķēdes nodilumu.

EĻĻAS PLŪSMAS REGULĒŠANA (F att.)

- Šis zāģis ir aprīkots ar eļļas plūsmas regulēšanas skrūvi (F-1), kas atrodas instrumenta apakšā. Skrūvi izmanto eļļas plūsmas regulēšanai ķēdes, sliedes un griešanas sistēmas eļļošanas nolūkā. Eļļas plūsmu palielina vai samazina bultīņu virzienā, kas norādīts uz korpusa.

ĶĒDES ZĀĢA LED INDIKATORS

Ķēdes zāģis ir aprīkots ar 2 LED indikatoriem, kas norāda eļļas statusu un akumulatora(-u) uzlādes līmeni.

LED indikators	Nozīme	Rīcība	
Zema eļļas līmeņa indikators (A-8)	Mirgo sarkanā gaisma	Trūkst eļļas	Uzpildiet tvertnē eļļu
	Nedeg	Ir eļļa	/
Akumulatora indikators (A-7)	Deg zaļā krāsā	Akumulatoru bloks ir uzlādēts	/
	Mirgo zaļā gaisma	Akumulatoru bloks ir gandrīz izlādējies, un to ir nekavējoties jāuzlādē.	Uzlādējiet akumulatoru

AKUMULATORA IETVARA PIESTIPRINĀŠANA KĀPŠANAS DROŠĪBAS JOSTAI

Šim ķēdes zāģim ir akumulatora ietvars, ko izmanto akumulatora pārmēsāšanai, un ko var piestiprināt pie kāpšanas drošības jostas (komplektācijā nav iekļauta).

PIEZĪME! Stingri piestipriniet akumulatora ietvaru kāpšanas drošības jostai pirms tās uzvilkšanas.

1. Atradiet uz kāpšanas drošības jostas nepieciešamo punktu, kur iekarināt akumulatora ietvaru, pēc tam iekariniet, izmantojot **siksnas āķi (G-1)**. (G1 att.)
2. Aptiniet siksnu ap kāpšanas drošības jostu, lai nostiprinātu akumulatora ietvaru (G2 un G3 att.).
3. Piestipriniet kāpšanas drošības jostai divus drošības štopes **gredzenus (G-2)**, izmantojot divas karabīnes (komplektā nav iekļautas), kā tas parādīts G4 att.

G-1	Siksnas āķis	G-2	Gredzeni
-----	--------------	-----	----------

PIEZĪME!

- Kāpjot kokā, piestipriniet drošības štopes 1. un 2. gredzenu pie kāpšanas drošības jostas, izmantojot karabīnes (komplektā nav iekļautas) (G5 att.)
- Instrumenta izmantošanas laikā atvienojiet 2. gredzenu no kāpšanas drošības jostas, un griešanas laikā turiet zāģi ar abām rokām (G6 att.).

ZĀĢA PIESTIPRINĀŠANA AKUMULATORA IETVARAM

Piestipriniet drošības štopes **zāģa āķi (H-2)** pie **cilpiņas (H-1)**. (H att.).

H-1	CILPIŅA	H-2	ZĀĢA ĀĶIS
-----	---------	-----	-----------

AKUMULATORU BLOKA IEVIETOŠANA/IZŅEMŠANA

PIEZĪME! Pirms pirmās lietošanas reizes uzlādējiet akumulatora bloku pilnībā.

Ievietošana (I1 att.)

Salāgojiet akumulatoru bloka ribas kopā ar montāžas atverēm, pēc tam iebīdīet akumulatoru bloku akumulatora ietvarā, līdz tas nofiksējas.

Izņemšana (I2 att.)

Lai izņemtu akumulatoru bloku, ar īkšķi nospiediet akumulatora atbrīvošanas pogu.

ĶĒDES ZĀĢA IESLĒGŠANA/IZSLĒGŠANA

Iedarbināšana

1. Salāgojiet "▲" atzīmes uz **strāvas kontaktdakšas (J-2)** ar ķēdes zāģa **elektriskās kontaktlīdzdas atzīmēm (J-1)**, pēc tam iespraudiet kontaktdakšu ķēdes zāģī, līdz ZALĀ blīve uz kontaktdakšas PILNĪGĀ nodziest (J1 att.).
2. Nospiediet IESL./IZSL. slēdzi pozīcijā „ON” (ieslēgts) (J2 att.).
3. Pavelciet ķēdes atsitienu bremzes rokturi galvenā roktura virzienā stāvoklī.
4. Pabīdīet **fiksācijas mēlīti uz (J-3)** virzienā uz priekšu, un tad nospiediet **regulējamā ātruma slēdzi (J-4)**. Jo stingrāk piespiedīsiet regulējamā ātruma slēdzi, jo lielāks būs zāģa ķēdes ātrums (J3 att.).

J-1	Elektriskā kontaktlīdzda	J-3	Fiksācijas mēlīte
J-2	Strāvas kontaktdakša	J-4	Regulējamā ātruma slēdzis

Apturēšana

1. Lai izslēgtu ķēdes zāģi, atļaidiet regulējamā ātruma slēdzi.

PIEZĪME! Pēc regulējamā ātruma slēdža atļaišanas zāģa ķēde vēl īsu brīdi turpinās griezties. Pēc regulējamā ātruma slēdža atļaišanas un ķēdes zāģa novietošanas laikā rīkojieties uzmanīgi, lai ķēde ne pie kā nepieskartos.

2. Nospiediet atsitiena bremžu rokturi virzienā uz priekšu bremžu stāvoklī "☐".

3. Pagrieziet IESL./IZSL. slēdži pozīcijā „ON” (ieslēgts).”

⚠ BRĪDINĀJUMS! Vienmēr darba pārtraukumos un pēc darbu pabeigšanas izvelciet strāvas kontaktdakšu no ķēdes zāģa.

SAGATAVOŠANA GRIEŠANAS DARBIEM

Pareizs rokturu satvēriens (k att.)

- Lai nodrošinātu maksimālu satvērienu un aizsardzību, valkājiet neslēdošus cimdus.
- Vienmēr satvēriet priekšējo rokturi ar kreiso roku un galveno rokturi ar labo roku.
- Pirkstiem jāaptver rokturis tā, lai īkšķis atrastos zem priekšējā roktura.

⚠ BRĪDINĀJUMS! Nekad neturiet zāģi satvērienā, kur vadošā ir kreisā roka (apgrieztais satvēriens), kā arī nestāviet tā, lai kāda jūsu ķermeņa daļa vai roka varētu atrasties virs ķēdes līnijas.

⚠ BRĪDINĀJUMS! Nespiediet ieslēgšanas slēdzi ar kreiso roku un turiet priekšējo rokturi ar labo roku. Darbojoties ar ķēdes zāģi, nekad neļaujiet nevienai ķermeņa daļai atrasties ķēdes līnijā (L att.).

LV

ĶĒDES EĻĻAS PĀRBAUDE (M att.)

PIEZĪME! Pārlicinieties, vai ķēdes zāģa eļļas tvertnē ir piepildīts pareizs ķēdes eļļas daudzums.

1. Turiet vadsliedi virs gaišas krāsas virsmas.
2. Ieslēdziet zāģi. Ja ķēdes eļļošanas sistēma darbojas pareizi, pēc 1 minūtes uz gaišās krāsas virsmas būs redzama caurspīdīga eļļas līnija.
3. Ja ķēdes eļļa joprojām nav redzama uz gaišās krāsas virsmas, izlasiet nodaļā „EĻĻAS PLŪSMAS REGULĒŠANA” informāciju par tās pielāgošanu.

ZĀĢĒŠANA, ATRODOTIES KOKĀ

⚠ BRĪDINĀJUMS! Strādājot vai kāpjot kopā, ieteicams izmantot papildu atbalstu, piemēram, kāpšļus, regulējamu auklu, lai novērstu šūpošanos vai sagriešanās draudus.

Pirms izmantošanas pārbaudiet šādus punktus:

- Pārbaudiet, vai uz ķēdesrata (N-1) nav redzamu nodiluma pazīmju. Ja nodiluma pazīmes ir dziļākas par 0,5 mm: sazinieties ar EGO servisa pakalpojumu sniedzēju, lai nomainītu ķēdesratu.
- Pārbaudiet arī bremžu sistēmu. Ja nodiluma pazīmes uz **bremžu uzlikām (N-2)** ir nevienmērīgas, sazinieties ar EGO servisa pakalpojumu sniedzēju, lai nomainītu bremžu uzlikas. (N att.)

N-1	Ķēdesrats	N-2	Bremžu uzlikas
-----	-----------	-----	----------------

- Pārbaudiet vadsliedi, apskatiet ar to saistīto nodaļu: **VADSLIEDĒS APKOPE**
- Pārbaudiet zāģa ķēdi, apskatiet ar to saistīto nodaļu: **ĶĒDES APKOPE**
- Ķēdes bremzes pārbaude, apskatiet ar to saistīto nodaļu: **ŠIM ĶĒDES ZĀĢIM UZSTĀDĪTĀS ATSITIENA AIZSARDZĪBAS**

IERĪCES

- Pārbaudiet vadības ierīces, apskatiet ar to saistīto nodaļu: **ĶĒDES ZĀĢA IESLĒGŠANA/IZSLĒGŠANA**
- Pārbaudiet ķēdes eļļošanu, apskatiet ar to saistīto nodaļu: **ĶĒDES EĻĻAS PĀRBAUDE**

APKOPE

TĪRĪŠANA

- Pēc katras lietošanas reizes ar mīkstu suku iztīriet no ķēdes un vadsliedes grūzus. Noslaukiet ķēdes zāģa virsmu ar tīru drānu, kas samitrināta ar maigu ziepju šķīdumu.
- Pamatīgas tīrīšanas nolūkā noņemiet samontēto sānu pārsegu, noņemiet vadsliedi un zāģa ķēdi un pēc tam ar mīkstu birstīti rūpīgi notīriet no vadsliedes, zāģa ķēdes un ķēdes zāģa instrumentgalvas piedziņas ķēzrāta grūzus.
- Vienmēr, kad maināt zāģa ķēdi, iztīriet koka skaidas, zāģskaidas un netīrumus no vadsliedes rievās.

PUTEKĻU NOTĪRĪŠANA

1. Izvelciet strāvas kontaktdakšu, ļaujiet ķēdes zāģim atdzist un aizskrūvējiet eļļas tvertnes vāciņu.
2. Zāģa bremzes ieslēgšana
3. Lai to atvērtu, izmantojiet kombinēto uzgriežņu atslēgu (iekļauta komplektācijā), lai atskrūvētu **putekļu iztukšošanas vāciņa skrūvi (O-1)**, (O1 att.).

4. Izmantojot saspiestu sauso gaisu, izlīriet dzesēšanas režģī sakrājušās zāģskaidas un kokskaidas, un izpūšiet to no pretējās puses **gaisa ieplūdes (O-2)**. (O2. att.)

O-1	Putekļu iztukšošanas vāciņš	O-2	Gaisa ieplūde
-----	-----------------------------	-----	---------------

VADSLIEDĒS APKOPE

Kad vadsliedeī rodas nodiluma pazīmes, demontējiet to no ķēdes zāģa instrumentgalvas, apgrieziet otrādi un uzlieciet atpakaļ (P1 att.); šādā gadījumā ķēde nodils vienmērīgi, nodrošinot maksimālu sliedes kalpošanas laiku.

Katrā lietošanas dienā sliede ir jānotra ir jāpārbauda (ieskaitot **sliedes līnijas (P-1)** un **elļošanas atveri (P-2)**), vai uz tās nav redzamas nodiluma pazīmes un bojājumi. Sliedes līniju atstarpošanās un atskabargu veidošanās ir normāls sliedes nodilšanas process. Šādas nepilnības jānolīdzina ar vīli tiklīdz tās tiek konstatētas. Sliedi, kurai ir kāds no šiem bojājumiem, jānomaina:

Nodilums sliedes līnijās, kuras ļauj uzlikt ķēdi sāniski;

- Saliekta vadsliede;
- Ieplaisušas vai saplīsušas sliedes līnijas;
- Izpletušas sliedes līnijas.

Vadsliedes galā ir ķēdesrats. Šis ķēdesrats ir jāieļļo ar eļļas šļirci reizi nedēļā, lai pagarinātu vadsliedes kalpošanas laiku (P3 un P4 att.). Pagrieziet **uzgaļa ķēdesratu (P-3)**, vienlaikus iesūknējot **caurspīdīgo dzeltenu, caurspīdīgo sarkano vai caurspīdīgo smērvielu elļošanas atverē (P-4)**, līdz jaunā smērviela ir izklāta pa visu ķēdesratu. Neiestumiet nefirmus atverē.

P-1	Sliedes līnijas	P-3	Ķēdesrats
P-2	Elļošanas atvere	P-4	Elļošanas atvere

ĶĒDES APKOPE

Šim zāģim lietojiet tikai ķēdes ar zemu atsitienu. Pareizi uzturot un apkopjot, šī ātri zāģējošā ķēde nodrošinās atsitienu ietekmes samazināšanu.

Pareizi uzasināta zāģa ķēde vienkārši spēj iziet cauri kokam, pat piemērojot pavisam maz spēku. Nekad nelietojiet trulu vai bojātu ķēdes zāģi. Truls zāģa ķēdes griezējs rada papildu fizisko slodzi, palielina vibrācijas, sniedz neapmierinošus zāģēšanas rezultātus un palielina nodilumu.

Lai zāģēšana būtu gluda un ātra, ķēdi nepieciešams pareizi uzturēt un apkopt. Ja koka skaidas ir mazas un pūderveida, zāģēšanas laikā ķēdi nepieciešams ar spēku spiest cauri kokam vai zāģēt tikai viena ķēdes puse, ķēdi nepieciešams uzasināt. Veicot ķēdes apkopi, ņemiet vērā šādus aspektus.

Nepareizs sānu plāksnes vīlēšanas leņķis var palielināt smaga atsitienu risku.

- Dziļummēra klīrens. Pārāk zems novietojums palielina atsitienu iespējamību. Nepietiekami zems novietojums samazina zāģēšanas stabilitāti.
- Ja griezēja zobi ir sadūrušies ar citiem priekšmetiem, piemēram, naglām vai akmeņiem, vai tos noberzuši uz koka esošie dubļi vai smiltis, lūdziet kvalificētam servisa tehnikam uzasināt ķēdi.

Uzmanību! Zāģa ķēdes asināšanu un apkopi ieteicams veikt pilnvarotā servisa centrā.

TRANSPORTĒŠANA UN UZGLABĀŠANA

- Neuzglabājiet vai netransportējiet ķēdes zāģi, kamēr tas darbojas. Vienmēr pirms novietošanas glabāšanā vai transportēšanas izvelciet no rozetes strāvas kontaktakšus.
- Vienmēr pirms ķēdes zāģa novietošanas glabāšanā vai transportēšanas uzlieciet vadsliedeī un ķēdei vadsliedes pārvalku. Rīkojieties uzmanīgi, lai izvairītos no asajiem ķēdes zobiem.
- Pirms uzglabāšanas rūpīgi notīriet ķēdes zāģi. Uzglabājiet ķēdes zāģi iekšstelpās, sausā un aizslēgtā vai bērniem nepieejamā vietā.
- Sargājiet no kodīgām vielām, piemēram, dārzā lietojamajām ķīmikālijām un atledošanas sāls.

Apkārtējās vides aizsardzība



Direktīva par elektrisko un elektronisko iekārtu atkritumiem (EELIA) Neutilizējiet elektrisko aprīkojumu, izlieto akumulatoru un lādētāju sadzīves atkritumos. Nogādājiet šo produktu uz pilnvarotu pārstrādes punktu un sagatavojiet atkritumu šķirošanai. Elektriskos instrumentus jānogādā videi nekaitīgā pārstrādes rūpnīcā.

LV

KĻŪDU NOVĒRŠANA

PROBLĒMA	CĒLONIS	RISINĀJUMS
Nedarbojas motors.	<ul style="list-style-type: none"> ■ Kēdes zāģī nav ievietota akumulatora ietvara strāvas kontaktdakša. ■ Starp akumulatoru un tā ietvaru nav elektriskā savienojuma. ■ Nav uzlocīta fiksācijas mēlīte. ■ „IESL./IZSL.” slēdzis atrodas pozīcijā „OFF” (izslēgts). ■ Ieslēgta kēdes bremze. 	<ul style="list-style-type: none"> ■ Iespraudiet kēdes zāģī akumulatora ietvara strāvas kontaktdakšu. ■ Atvienojiet akumulatoru, pārbaudiet kontaktus un ievietojiet atpakaļ. ■ Pirms iedarbināt mašīnu uzlociet fiksācijas mēlīti. ■ Pagrieziet „IESL./IZSL.” slēdzi pozīcijā „ON” (ieslēgts). ■ Atvelciet kēdes atsītienu bremzes rokturi atpakaļ augšējā roktura virzienā, nonākot darba stāvoklī.
Zāģēšanas laikā laikā kēdes zāģis pārstāj darboties.	<ul style="list-style-type: none"> ■ Akumulators vai kēdes zāģis ir pārāk karsts. ■ Kēdes zāģa pārslodze. ■ Pārāk daudz koka gabaliņu aizsprostojuši ventilācijas kanālus. ■ Akumulatoru bloks ir izlādējies. 	<ul style="list-style-type: none"> ■ Atdzesējiet akumulatoru vai kēdes zāģi ■ Samaziniet slodzi. ■ Izfīriet putekļus, apskatiet nodaļu „PUTEKĻU NOTĪRĪŠANA”. ■ Uzlādējiet akumulatoru bloku
Nedarbojas kēdes bremze	<ul style="list-style-type: none"> ■ Gruži kavē pilnīgu kēdes atsītienu bremzes roktura kustību. ■ Iespējami kēdes bremzes darbības traucējumi. 	<ul style="list-style-type: none"> ■ Izfīriet gruzus no ārējā kēdes bremzes mehānisma ■ Ja nepieciešams veikt labošanas darbus, sazinieties ar EGO klientu apkalpošanas nodaļu.
Neelnot griešanas laikā.	<ul style="list-style-type: none"> ■ Kēdes eļļas tvertne ir tukša. ■ Aizsērējusi kēdes sliedes eļļas izplūdes atvere ■ Zemā temperatūrā sacietējusi eļļa 	<ul style="list-style-type: none"> ■ Uzpildiet sliedes un kēdes smērvielu. ■ Izfīriet putekļus no eļļas izplūdes atveres. ■ Nomainiet ar pareizo smērēļu (piemērota zema temperatūrai)
Zema eļļas līmeņa indikators mirgo sarkanā krāsā vai deg neparastā gaismā, kamēr eļļas tvertnē ir piepildīta eļļa.	<ul style="list-style-type: none"> ■ Mašīnas īpašā izmantošanas leņķa dēļ eļļa no eļļas tvertnes neieplūst eļļas caurulē. ■ Eļļas kategorija un krāsa nav ieteicama. ■ Zema eļļas līmeņa indikators joprojām mirgo sarkanā krāsā. 	<ul style="list-style-type: none"> ■ Novietojiet kēdes zāģi uz plakana pamata un mēģiniet vēlreiz. ■ Izmantojiet ieteicamo caurspīdīgo dzelteno, caurspīdīgo sarkano vai caurspīdīgo eļļu ■ Ja nepieciešams veikt labošanas darbus, sazinieties ar EGO klientu apkalpošanas nodaļu
Zema eļļas līmeņa indikators nedeg, kad eļļas tvertnē trūkst eļļas.	<ul style="list-style-type: none"> ■ Eļļas kategoriju un krāsu nevar noteikt. ■ Neliels eļļas daudzums joprojām atrodas eļļas tvertnē vai eļļas caurulē. ■ Zema eļļas līmeņa indikators joprojām nedarbojas iepriekš minēto iemeslu dēļ. 	<ul style="list-style-type: none"> ■ Izmantojiet ieteicamo caurspīdīgo dzelteno, caurspīdīgo sarkano vai caurspīdīgo eļļu ■ Padarbiniet kēdes zāģi kādu laiku un pēc tam vēlreiz apskatiet zemā eļļas līmeņa indikatoru ■ Ja nepieciešams veikt labošanas darbus, sazinieties ar EGO klientu apkalpošanas nodaļu.

LV

GARANTĪJA

EGO GARANTĪJAS POLITIKA

Lūdzu, apmeklējiet tīmekļa vietni egopowerplus.com, kur pieejama pilna EGO garantijas politikas noteikumu un nosacījumu versija.

ΔΙΑΒΑΣΤΕ ΟΛΕΣ ΤΙΣ ΟΔΗΓΙΕΣ!



ΔΙΑΒΑΣΤΕ ΤΟ ΕΓΧΕΙΡΙΔΙΟ ΧΡΗΣΗΣ

⚠ Υπολειπόμενοι κίνδυνοι! Άνθρωποι που φέρουν ηλεκτρονικές συσκευές όπως βηματοδότες πρέπει να συμβουλευούνται τους γιατρούς τους, πριν τη χρήση αυτού του προϊόντος. Η λειτουργία ηλεκτρολογικού εξοπλισμού κοντά σε βηματοδότη μπορεί να προκαλέσει παρεμβολές ή βλάβη στο βηματοδότη.

ΣΥΜΒΟΛΟ ΑΣΦΑΛΕΙΑΣ

Ο σκοπός των συμβόλων ασφαλείας είναι να σας επιστήσουν την προσοχή σε ενδεχόμενους κινδύνους. Προσέξτε και κατανοήστε τα σύμβολα ασφαλείας και τις επεξηγήσεις που τα συνοδεύουν. Τα σύμβολα προειδοποίησης από μόνα τους δεν εξαλείφουν κανένα κίνδυνο. Οι οδηγίες και οι προειδοποιήσεις που παρέχουν δεν υποκαθιστούν τα κατάλληλα μέτρα πρόληψης ατυχημάτων.

⚠ ΠΡΟΕΙΔΟΠΟΙΗΣΗ: Βεβαιωθείτε ότι έχετε διαβάσει και κατανοήσει όλες τις οδηγίες ασφαλείας στο παρόν εγχειρίδιο χρήσης, συμπεριλαμβανομένων όλων των συμβόλων ασφαλείας, όπως «**ΚΙΝΔΥΝΟΣ**», «**ΠΡΟΕΙΔΟΠΟΙΗΣΗ**» και «**ΠΡΟΣΟΧΗ**», προτού να χρησιμοποιήσετε αυτό το ηλεκτρικό εργαλείο. Η μη τήρηση όλων των παρακάτω οδηγιών μπορεί να οδηγήσει σε ηλεκτροπληξία, πυρκαγιά και/ή σοβαρό τραυματισμό.

ΕΠΕΞΗΓΗΣΗ ΣΥΜΒΟΛΩΝ

Αυτή η σελίδα απεικονίζει και περιγράφει τα σύμβολα ασφαλείας που μπορεί να υπάρχουν επάνω στο προϊόν. Διαβάζετε, κατανοείτε και τηρείτε όλες τις οδηγίες επάνω στη μηχανή, προτού επιχειρήσετε να τη συναρμολογήσετε και να τη χρησιμοποιήσετε.

ΣΥΜΒΟΛΑ ΑΣΦΑΛΕΙΑΣ



Προειδοποίηση ασφαλείας



Φοράτε γάντια για βαριές εργασίες από ανθεκτικό υλικό.



Φοράτε αντιολισθητικά υποδήματα.



Λαμβάνετε υπόψη το λάκτισμα – Πρέπει να αποφεύγεται οποιαδήποτε επαφή της οδηγητικής μπάρας με οποιοδήποτε αντικείμενο



Λάκτισμα άκρης οδηγητικής μπάρας – Η επαφή της άκρης μπορεί να προκαλέσει ξαφνική κίνηση της οδηγητικής μπάρας προς τα επάνω και πίσω, με συνέπεια σοβαρό τραυματισμό.



Τα απόβλητα ειδών ηλεκτρικού και ηλεκτρονικού εξοπλισμού δεν πρέπει να απορρίπτονται στα οικιακά απορρίμματα. Παραδώστε τα σε εξουσιοδοτημένη μονάδα ανακύκλωσης.



V Volt



Συνεχές ρεύμα



Προκειμένου να μειωθεί ο κίνδυνος τραυματισμού, ο χρήστης πρέπει να διαβάσει και να κατανοήσει το εγχειρίδιο χρήσης προτού να χρησιμοποιήσει αυτό το προϊόν.



Φοράτε ρούχα με στενή εφαρμογή. Μη φοράτε φουλάρι, γραβάτα ή κοσμήματα.



Φοράτε γυαλιά ασφαλείας με στενή εφαρμογή, ωτοασπίδες ή ωτοπροστασία, και κράνος με μάντα για το σαγόνι.



Κράτημα με τα δυο χέρια – Να κρατάτε πάντα το αλυσοπρίονο και με τα δυο σας χέρια όταν το χρησιμοποιείτε.



Πληροφορίες για την οδηγητική μπάρα.



Να μην εκτίθεται σε βροχή.



Θόρυβος



CE

GR

ΤΕΧΝΙΚΕΣ ΠΡΟΔΙΑΓΡΑΦΕΣ

Τάση	56 V	
Συνιστώμενη θερμοκρασία λειτουργίας:	-15°C-40°C	
Συνιστώμενη θερμοκρασία αποθήκευσης:	-40°C-70°C	
Βέλτιστη θερμοκρασία φόρτισης	5°C-40°C	
Μήκος κοπής	300 mm	
Ταχύτητα αλυσίδας	20 m/s	
Βήμα αλυσίδας	9,5 mm (3/8")	
Ένδειξη αλυσίδας	1,1 mm	
Τύπος αλυσίδας αλυσοπριονίου	AC1200 (Συνιστάται) AC1400 (Συμβατό) AC1600 (Συμβατό)	
Τύπος οδηγητικής μπάρας	AG1200 (Συνιστάται) AG1400 (Συμβατό) AG1600 (Συμβατό)	
Βάρος (χωρίς συστοιχία μπαταριών, θήκη αλυσίδας)	3,5 kg	
Μετρημένη στάθμη ηχητικής ισχύος L_{WA}	98,8 dB(A) K=3 dB(A)	
Στάθμη ηχητικής πίεσης στη θέση εργασίας L_{PA}	88,1 dB(A) K=3 dB(A)	
Εγγυημένη στάθμη ηχητικής ισχύος L_{WA} (κατά 2000/14/ΕΚ)	102 dB(A)	
Κραδασμοί a_h	Μπροστινή χειρολαβή	1,73 m/s ² K= 1,5 m/s
	Κύρια χειρολαβή	2,21 m/s ² K= 1,5 m/s

GR

- Η δηλωθείσα συνολική τιμή κραδασμών έχει μετρηθεί σύμφωνα με πρότυπη μέθοδο ελέγχου και μπορεί να χρησιμοποιηθεί για τη σύγκριση ενός εργαλείου με κάποιο άλλο.
- Η αναφερόμενη συνολική τιμή κραδασμών μπορεί να χρησιμοποιηθεί, επίσης, για προκαταρκτική αξιολόγηση έκθεσης.

ΣΗΜΕΙΩΣΗ: Οι εκπομπές κραδασμών κατά τη διάρκεια της πραγματικής χρήσης του ηλεκτρικού εργαλείου μπορεί να διαφέρουν από τη δηλωμένη τιμή στην οποία χρησιμοποιείται το εργαλείο. Για την προστασία του χειριστή, πρέπει να χρησιμοποιούνται γάντια και προστασία της ακοής στις πραγματικές συνθήκες χρήσης.

ΠΕΡΙΓΡΑΦΗ

ΓΝΩΡΙΣΤΕ ΤΟ ΑΛΥΣΟΠΡΙΟΝΟ ΣΑΣ (Εικ. Α1)

1. Αλυσίδα αλυσοπριονίου
2. Πτερύγιο φρένου λακτίσματος
3. Γλωπίδα ασφάλισης
4. Κύρια χειρολαβή
5. Σκανδάλη μεταβλητής ταχύτητας
6. Οφθαλμίδιο
7. Ένδειξη συστοιχίας μπαταριών
8. Ένδειξη χαμηλής στάθμης λαδιού
9. Μπροστινή χειρολαβή
10. Καπάκι δοχείου λαδιού
11. Οδηγητική μπάρα
12. Οπή λίπανσης
13. Οδοντοτροχός
14. Βίδα τάνυσης
15. Διακόπτης ασφαλείας ON-OFF
16. Κοχλίας οδήγησης
17. Παζμάδι μπάρας
18. Διάταξη πλευρικού καλύμματος
19. Καπάκι βίδας ρύθμισης ροής λαδιού
20. Καπάκι απομάκρυνσης σκόνης
21. Μηχανισμός εκτόξευσης
22. Ηλεκτρικές επαφές
23. Κομπι αποδέσμευσης της συστοιχίας μπαταριών
24. Αγκιστρο ζώνης
25. Αγκράφα
26. Ιμάντας
27. Καλώδιο
28. Δακτύλιος 1
29. Αγκιστρο πριονιού
30. Βύσμα ισχύος
31. Δακτύλιος 2
32. Θήκη αλυσίδας
33. Συνδυαστικό μηχανικό κλειδί

ΚΑΤΑΛΟΓΟΣ ΕΞΑΡΤΗΜΑΤΩΝ ΣΥΣΚΕΥΑΣΙΑΣ (ΕΙΚ. Α1)


ΣΥΝΑΡΜΟΛΟΓΗΣΗ

ΣΥΝΑΡΜΟΛΟΓΗΣΗ/ΑΠΟΣΥΝΑΡΜΟΛΟΓΗΣΗ ΜΠΑΡΑΣ ΚΑΙ ΑΛΥΣΙΔΑΣ

▲ ΠΡΟΕΙΔΟΠΟΙΗΣΗ: Αποσυνδέτε πάντα το βύσμα ισχύος και φοράτε προστατευτικά γάντια προτού να συναρμολογήσετε ή να πραγματοποιήσετε συντήρηση στο προϊόν.

⚠ ΠΡΟΕΙΔΟΠΟΙΗΣΗ: Μελετήστε όλες τις προειδοποιήσεις ασφάλειας, τις οδηγίες, τις εικόνες και τις προδιαγραφές που συνοδεύουν αυτό το ηλεκτρικό εργαλείο. Εάν δεν τηρηθούν όλες οι οδηγίες που αναφέρονται παρακάτω, μπορεί να προκληθεί ηλεκτροπληξία, πυρκαγιά και/ή σοβαρός τραυματισμός.

Φυλάξτε όλες τις προειδοποιήσεις και τις οδηγίες για μελλοντική αναφορά.

- Βεβαιωθείτε ότι το περὺνιο φρένο λακτίσματος βρίσκεται στη θέση .
- Ξεβιδώστε το παξιμάδι μπάρας (A-17) αριστερόστροφα για να αφαιρέσετε τη διάταξη πλευρικού καλύμματος (A-18).
- Απλώστε την αλυσίδα αλυσοπρίονου σε μια θηλιά σε μια επίπεδη επιφάνεια και ισιώστε οποιοσδήποτε διπλώσεις. (Εικ. B1)
- Τοποθετήστε τους συνδέσμους οδηγού (B-1) μέσα στην εγκοπή (B-2) της οδηγητικής μπάρας και κάντε θηλιά στην αλυσίδα στο πίσω μέρος της οδηγητικής μπάρας. (Εικ. B2)
- Κρατήστε την αλυσίδα στην θέση της πάνω στην οδηγητική μπάρα και τοποθετήστε την θηλιά γύρω από τον οδοντοτροχό (B-3) της κεφαλής ισχύος, και ελέγξτε τα ακόλουθα στοιχεία (Εικ. B3):
 - Οι σύνδεσμοι οδηγού αλυσίδας εφάπτονται στις οδοντώσεις του οδοντοτροχού αλυσίδας (B-3).
 - Η βίδα τάνυσης (B-4) και ο κοχλίας οδήγησης (B-5) βρίσκονται στην υποδοχή της οδηγητικής μπάρας. Η περόνη τάνυσης (B-6) είναι δεσμευμένη στην οπή της οδηγητικής μπάρας.

ΣΗΜΕΙΩΣΗ: Βεβαιωθείτε ότι η κατεύθυνση των βελών επάνω στις οδοντώσεις της αλυσίδας αλυσοπρίονου είναι πάντοτε προς τα εμπρός (Εικ. B3).

- Ανατρέξτε στην ενότητα «TANYΣH THΣ AΛYΣHΔAΣ AΛYΣOΠPIONOY» για να βεβαιωθείτε ότι η αλυσίδα έχει συναρμολογηθεί σωστά χωρίς να μαγκώνει.
- Ευθυγραμμίστε τις δύο ράβδους οδήγησης (B-7) της διάταξης πλευρικού καλύμματος με τις αντίστοιχες οπές (B-8) του αλυσοπρίονου και, στη συνέχεια, τοποθετήστε τη διάταξη πλευρικού καλύμματος. (Εικ. B4)
- Συσφίξτε το παξιμάδι μπάρας.

B-1	Σύνδεσμοι οδηγού	B-5	Κοχλίας οδήγησης
B-2	Εγκοπή	B-6	Περόνη τάνυσης
B-3	Οδοντοτροχός αλυσίδας	B-7	Ράβδοι οδήγησης
B-4	Βίδα τάνυσης	B-8	Οπές

ΣΗΜΕΙΩΣΗ: Σε περίπτωση που απαιτηθεί αντικατάσταση της οδηγητικής μπάρας, αποσυναρμολογήστε τη διάταξη πλευρικού καλύμματος και συναρμολογήστε την εκ νέου με τη νέα οδηγητική μπάρα, σύμφωνα με την Εικ. C.

ΛΕΙΤΟΥΡΓΙΑ

ΕΦΑΡΜΟΓΗ

- Αυτό το αλυσοπρίονο έχει σχεδιαστεί ειδικά για το κλάδεμα και τη συντήρηση δέντρων.



Αυτό το αλυσοπρίονο μπορεί να χρησιμοποιηθεί μόνο από άτομα που έχουν εκπαιδευτεί για εργασίες συντήρησης δέντρων.

ΣΗΜΕΙΩΣΗ: Ο αρχάριος χρήστης συνιστάται να κάνει εξάσκηση στην κοπή κούτσουρων σε υποστάτη ξυλοργού ή σε φαντίο.

TANYΣH THΣ AΛYΣHΔAΣ AΛYΣOΠPIONOY

⚠ ΠΡΟΕΙΔΟΠΟΙΗΣΗ: Ποτέ μην αγγίζετε ή ρυθμίζετε την αλυσίδα ενώ λειτουργεί ο κινητήρας. Η αλυσίδα αλυσοπρίονου είναι εξαιρετικά αιχμηρή. Φοράτε πάντα προστατευτικά γάντια όταν πραγματοποιείτε συντήρηση στην αλυσίδα.

Η αλυσίδα διαστέλλεται και συστέλλεται κατά τη διάρκεια της φυσιολογικής λειτουργίας του αλυσοπρίονου. Αυτό έχει ως αποτέλεσμα να μεταβάλλεται η τάνυση της αλυσίδας. Ελέγχετε τακτικά την τάνυση αλυσίδας κατά τη διάρκεια της λειτουργίας και προσαρμόστε την εφόσον απαιτηθεί.

- Απενεργοποιήστε το αλυσοπρίονο, βάλτε το φρένο αλυσίδας και αποσυνδέστε το βύσμα ισχύος.
- Ξεβιδώστε το παξιμάδι μπάρας, έτσι ώστε η οδηγητική μπάρα να μπορεί να κινηθεί απρόσκοπτα για την επικείμενη ρύθμιση.
- Κρατήστε τη μύτη της μπάρας προς τα επάνω και ρυθμίστε τη βίδα τάνυσης μέχρι να ισχύσουν τα ακόλουθα:
 - Η κοιλιά της αλυσίδας στο κέντρο της μπάρας είναι περίπου: 1 - 2 mm (Εικ. D).
 - Αποδεσμεύστε το φρένο αλυσίδας και βεβαιωθείτε ότι η αλυσίδα μπορεί να τραβηχτεί κατά μήκος της μπάρας με δυο δάχτυλα.

ΣΗΜΕΙΩΣΗ: Εκτελέστε αυτό το βήμα με προσοχή, ώστε να αποφευχθεί οποιοσδήποτε τραυματισμός. Επειδή αυτός ο κινητήρας συνεχούς ρεύματος περιέχει μαγνητικό υλικό, σε αντίθεση με τα συμβατικά αλυσοπρίονα βενζίνης, όταν τραβήξετε την αλυσίδα με δυο δάχτυλα θα νιώσετε κάποια αντίσταση. Δεν είναι τόσο ήπια όσο στα αλυσοπρίονα βενζίνης.

GR

4. Διατηρήστε τη μύτη της μπάρας προς τα επάνω και συσφίξτε το παξιμάδι μπάρας.

ΣΗΜΕΙΩΣΗ: Εάν η κοιλιά της αλυσίδας στο κέντρο της μπάρας δεν είναι 1 - 2 mm, επαναλάβετε τη ρύθμιση της τάνυσης.

ΠΛΗΡΩΣΗ ΡΕΖΕΡΒΟΥΑΡ ΛΑΔΙΟΥ

1. Αποσυνδέστε το καλώδιο ρεύματος από το αλυσοπρίονο.
2. Τοποθετήστε το αλυσοπρίονο με το πλάι επάνω σε μια γερή, επίπεδη επιφάνεια, έτσι ώστε το καπάκι ρεζερβουάρ λαδιού να έχει κατεύθυνση προς τα επάνω. Ανοίξτε το καπάκι ρεζερβουάρ λαδιού Εάν είναι υπερβολικά σφιχτό, χρησιμοποιήστε την κεφαλή επίπεδου κατσαβιδιού του συνδυαστικού μηχανικού κλειδιού για να το ξεσφίξετε (Εικ. Ε).
3. Συμπληρώστε με προσοχή λάδι στο ρεζερβουάρ λαδιού. Γεμίστε μέχρι τη βάση του λαϊμού πλήρωσης. Σκουπίστε τυχόν υπερβάλλον λάδι και κλείστε το καπάκι ρεζερβουάρ λαδιού.

ΣΗΜΕΙΩΣΗ:

- Το αλυσοπρίονο δεν έχει λάδι μέσα κατά την αγορά του. Είναι απαραίτητο να γεμίσετε το ρεζερβουάρ με λάδι πριν από τη χρήση. Η αλυσίδα λιπαίνεται αυτόματα με λάδι αλυσίδας κατά τη διάρκεια της λειτουργίας.
- Έχει σχεδιαστεί ειδικά για να παρέχει χαμηλή τριβή και ταχύτερες κοπές.
- Μη χρησιμοποιείτε ποτέ λάδι ή άλλα λιπαντικά που δεν έχουν σχεδιαστεί ειδικά για χρήση στην μπάρα και την αλυσίδα. Αυτό μπορεί να οδηγήσει σε βόλωμα του συστήματος λαδιού, προκαλώντας πρόωρη φθορά της μπάρας και της αλυσίδας.

GR

ΡΥΘΜΙΣΗ ΡΟΗΣ ΛΑΔΙΟΥ (Εικ. F)

- Το αλυσοπρίονο είναι εξοπλισμένο με **βίδα ρύθμισης ροής λαδιού (F-1)**, η οποία βρίσκεται στο κάτω μέρος του ηλεκτρικού εργαλείου, και χρησιμοποιείται για τη ρύθμιση της ροής λαδιού για τη λίπανση της αλυσίδας, της μπάρας και του συστήματος κοπής. Αυξήστε ή μειώστε τη ροή λαδιού σύμφωνα με την κατεύθυνση των βελών που υπάρχουν επάνω στο πλαίσιο.

ΕΝΔΕΙΞΗ LED ΕΠΑΝΩ ΣΤΟ ΑΛΥΣΟΠΡΙΟΝΟ

Το αλυσοπρίονο είναι εξοπλισμένο με 2 ενδείξεις LED που επισημαίνουν τη στάθμη λαδιού και το επίπεδο φόρτισης της συστοιχίας μπαταριών.

Ένδειξη LED		Επεξήγηση	Ενέργεια
Ένδειξη χαμηλής στάθμης λαδιού (A-8)	Αναβοσβήνει κόκκινη	Έλλειψη λαδιού	Συμπληρώστε λάδι στο ρεζερβουάρ λαδιού
	Σβηστή	Υπάρχει λάδι	/
Ένδειξη συστοιχίας μπαταριών (A-7)	Ανάβει πράσινη	Η συστοιχία μπαταριών είναι φορτισμένη	/
	Αναβοσβήνει πράσινη	Η συστοιχία μπαταριών έχει σχεδόν αδειάσει και πρέπει να φορτιστεί αμέσως.	Φορτίστε τη συστοιχία μπαταριών

ΠΡΟΣΑΡΤΗΣΗ ΤΗΣ ΘΗΚΗΣ ΣΥΣΤΟΙΧΙΑΣ ΜΠΑΤΑΡΙΩΝ ΣΤΟΝ ΙΜΑΝΤΑ ΑΝΑΡΡΙΧΗΣΗΣ

Αυτό το αλυσοπρίονο συνοδεύεται από μια θήκη συστοιχίας μπαταριών που χρησιμοποιείται για τη μεταφορά της συστοιχίας μπαταριών και μπορεί να προσαρτηθεί στον ιμάντα αναρρίχησης (δεν περιλαμβάνεται).

ΣΗΜΕΙΩΣΗ: Συσφίξτε τη θήκη συστοιχίας μπαταριών γερά επάνω στον ιμάντα αναρρίχησης προτού να φορέσετε τον ιμάντα αναρρίχησης.

1. Επιλέξτε το επιθυμητό σημείο για το κρέμασμα της θήκης συστοιχίας μπαταριών στον ιμάντα αναρρίχησης και κρεμάστε τη θήκη στον ιμάντα με τη βοήθεια του **άγκιστρου ζώνης (G-1)**. (Εικ. G1)
2. Τυλίξτε τη ζώνη γύρω από τον ιμάντα αναρρίχησης για να σταθεροποιήσετε τη θήκη συστοιχίας μπαταριών στη θέση της (Εικ. G2 & G3).
3. Προσαρτήστε τους δύο **δακτύλιους (G-2)** του καλωδίου ασφαλείας στον ιμάντα αναρρίχησης, χρησιμοποιώντας δύο καραμπίνερ (δεν παρέχονται), σύμφωνα με την Εικ. G4.

G-1	Άγκιστρο ζώνης	G-2	Δακτύλιο
-----	----------------	-----	----------

ΣΗΜΕΙΩΣΗ:

- Όταν σκαρφαλώνετε σε δέντρο, προσαρτάτε τους δακτύλιους 1 και 2 του καλωδίου ασφαλείας στον ιμάντα αναρρίχησης με τη βοήθεια καραμπίνερ (δεν περιλαμβάνονται) (Εικ. G5).
- Όταν το ηλεκτρικό εργαλείο χρησιμοποιείται, αφαιρείτε το δακτύλιο 2 από τον ιμάντα αναρρίχησης, και κρατάτε το αλυσοπρίονο και με τα δύο χέρια για να κόψετε (Εικ. G6).

ΑΣΦΑΛΙΣΗ ΤΟΥ ΑΛΥΣΟΠΡΙΟΝΟΥ ΣΤΗ ΘΗΚΗ ΣΥΣΤΟΙΧΙΑΣ ΜΠΑΤΑΡΙΩΝ

Προσαρτήστε το **άγκιστρο πριονιού (H-2)** του καλωδίου ασφαλείας στο **σφθαλιμίδιο (H-1)**. (Εικ. Η)

H-1	σφθαλιμίδιο	H-2	άγκιστρο πριονιού
-----	-------------	-----	-------------------

ΤΟΠΟΘΕΤΗΣΗ/ΑΦΑΙΡΕΣΗ ΤΗΣ ΣΥΣΤΟΙΧΙΑΣ ΜΠΑΤΑΡΙΩΝ

ΣΗΜΕΙΩΣΗ: Φορτίζετε πλήρως τη συστοιχία μπαταριών πριν από την πρώτη χρήση.

Τοποθέτηση (Εικ. Ι1)


Ευθυγραμμίστε τις νευρώσεις της συστοιχίας μπαταριών με τις υποδοχές τοποθέτησης και, στη συνέχεια, ωθήστε τη συστοιχία μπαταριών μέσα στη θήκη συστοιχίας μπαταριών, μέχρι να ασφαλίσει στη θέση της.

Αφαίρεση (Εικ. Ι2)

Πιέστε το κουμπί αποδέσμευσης συστοιχίας μπαταριών με τον αντίχειρά σας για να αφαιρέσετε τη συστοιχία μπαταριών.

ΕΝΕΡΓΟΠΟΙΗΣΗ/ΑΠΕΝΕΡΓΟΠΟΙΗΣΗ ΤΟΥ ΑΛΥΣΟΠΡΙΟΝΟΥ

Ενεργοποίηση


- Ευθυγραμμίστε τις ενδείξεις «▲» επάνω στο **βύσμα ισχύος (J-2)** και την **πρίζα** του αλυσοπριονίου (**J-1**) και, στη συνέχεια, συνδέστε το βύσμα με το αλυσοπριόνιο, ώσπου να εξαφανιστεί ΤΕΛΕΙΩΣ η ΠΡΑΣΙΝΗ σφράγιση επάνω στην πρίζα (Εικ. J1).
- Ωθήστε το διακόπτη «ON/OFF» στη θέση «ON» (Εικ. J2).
- Τραβήξτε το πτερύγιο φρένου λακτίσματος προς την κύρια λαβή στη θέση .
- Μετακινήστε τη **γλωττίδα ασφάλισης (J-3)** προς τα εμπρός και μετά πιέστε τη **σκανδάλη μεταβλητής ταχύτητας (J-4)**. Όσο πιο πολύ τραβάτε τη σκανδάλη μεταβλητής ταχύτητας προς τα επάνω, τόσο μεγαλύτερη ταχύτητα περιστροφής αποκτά το αλυσοπριόνιο (Εικ. J3).

J-1	Πρίζα	J-3	Γλωττίδα ασφάλισης
J-2	Βύσμα ισχύος	J-4	Σκανδάλη μεταβλητής ταχύτητας

Απενεργοποίηση

- Αποδεσμεύστε τη σκανδάλη μεταβλητής ταχύτητας για να σταματήσετε το αλυσοπριόνιο.

ΣΗΜΕΙΩΣΗ: Η αλυσίδα αλυσοπριονίου θα εξακολουθήσει να περιστρέφεται για σύντομο χρονικό διάστημα μετά την αποδέσμευση της σκανδάλης μεταβλητής ταχύτητας. Αποφεύγετε την επαφή αφού αποδεσμεύσετε τη σκανδάλη μεταβλητής ταχύτητας και όταν αποθέτετε το αλυσοπριόνιο.

- Ωθήστε το πτερύγιο φρένου λακτίσματος προς τα εμπρός στη θέση «».
- Περιστρέψτε το διακόπτη «ON-OFF» στη θέση «OFF».

⚠ ΠΡΟΕΙΔΟΠΟΙΗΣΗ: Αποσυνδέετε πάντοτε το βύσμα ισχύος από το αλυσοπριόνιο κατά τη διάρκεια διαλειμμάτων και μετά την ολοκλήρωση της εργασίας.

ΠΡΟΕΤΟΙΜΑΣΙΑ ΓΙΑ ΤΗΝ ΚΟΠΗ

Σωστό πάσιμο των χειρολαβών (Εικ. Κ)

- Φοράτε αντιολισθητικά γάντια για μέγιστο κράτημα και προστασία.
- Πιάνετε πάντα την μπροστινή χειρολαβή με το αριστερό χέρι και την κύρια χειρολαβή με το δεξί χέρι.
- Τα δάχτυλα πρέπει περικλείουν τη χειρολαβή, με τον αντίχειρα τυλιγμένο κάτω από την μπροστινή χειρολαβή.

⚠ ΠΡΟΕΙΔΟΠΟΙΗΣΗ: Ποτέ μη χρησιμοποιείτε αριστερό κράτημα (διασταύρωση χεριών) ή οτιδήποτε μπορεί να θέσει το σώμα ή το βραχίονά σας εγκάρσια της γραμμής κοπής της αλυσίδας.

⚠ ΠΡΟΕΙΔΟΠΟΙΗΣΗ: Μη λειτουργείτε το διακόπτη-σκανδάλη με το αριστερό χέρι και κρατάτε την μπροστινή χειρολαβή με το δεξί χέρι. Φροντίστε ώστε κανένα μέρος του σώματός σας να μη βρίσκεται στη γραμμή κοπής της αλυσίδας κατά τη διάρκεια χρήσης του αλυσοπριονίου (Εικ. L).

ΕΛΕΓΧΟΣ ΛΙΠΑΝΣΗΣ ΑΛΥΣΙΔΑΣ (Εικ. Μ)

ΣΗΜΕΙΩΣΗ: Βεβαιωθείτε ότι το ρεζερβουάρ λαδιού του αλυσοπριονίου διαθέτει την κατάλληλη ποσότητα λαδιού αλυσίδας.

- Κρατήστε την οδηγητική μπάρα πάνω από μια ανοιχτόχρωμη επιφάνεια.
- Ενεργοποιήστε το αλυσοπριόνιο. Μετά από 1 λεπτό θα δείτε μια καθαρή γραμμή λαδιού πάνω στην ανοιχτόχρωμη επιφάνεια, εφόσον η λίπανση αλυσίδας λειτουργεί σωστά.
- Σε περίπτωση που στην ανοιχτόχρωμη επιφάνεια δε φαίνεται λάδι, ανατρέξτε στην ενότητα «**ΡΥΘΜΙΣΗ ΡΟΗΣ ΛΑΔΙΟΥ**» για οδηγίες ρύθμισης.

ΚΛΑΔΕΜΑ Δ'ΕΝΤΡΟΥ

⚠ ΠΡΟΕΙΔΟΠΟΙΗΣΗ: Όταν εργάζεστε ή σκαρφαλώνετε, συνιστάται η χρήση επιπρόσθετης υποστήριξης, όπως αναβολέα ή αναδέτη, για την αποτροπή αιώρησης ή ατυχήματος κοπής.

Πριν από τη χρήση, ελέγξτε τα ακόλουθα σημεία:

- Ελέγξτε τα σημάδια φθοράς στον **οδοντοτροχό αλυσίδας (N-1)**. Εάν τα σημάδια φθοράς είναι βαθύτερα από 0,5 mm, επικοινωνήστε με τον αντιπρόσωπο σέρβις της EGO για την αντικατάσταση του οδοντοτροχού.
- Ελέγξτε επίσης το σύστημα φρένων. Εάν τα σημάδια στην **επένδυση φρένων (N-2)** είναι ανομοιόμορφα, επικοινωνήστε με τον αντιπρόσωπο σέρβις της EGO για την αντικατάσταση της επένδυσης φρένων. (Εικ. N)

N-1	Οδοντοτροχός αλυσίδας	N-2	Επένδυση φρένων
-----	-----------------------	-----	-----------------

- Ελέγξτε την οδηγητική μπάρα, ανατρέχοντας στην αντίστοιχη ενότητα: **ΣΥΝΤΗΡΗΣΗ ΟΔΗΓΗΤΙΚΗΣ ΜΠΑΡΑΣ**
- Ελέγξτε την αλυσίδα αλυσοπρίονου, ανατρέχοντας στην αντίστοιχη ενότητα: **ΣΥΝΤΗΡΗΣΗ ΑΛΥΣΙΔΑΣ**
- Ελέγξτε το φρένο αλυσίδας, ανατρέχοντας στην αντίστοιχη ενότητα: **ΣΥΣΚΕΥΕΣ ΑΣΦΑΛΕΙΑΣ ΛΑΚΤΙΣΜΑΤΟΣ ΣΕ ΑΥΤΟ ΤΟ**

ΑΛΥΣΟΠΡΙΟΝΟ

- Ελέγξτε τα κουμπιά και τους διακόπτες, ανατρέχοντας στην αντίστοιχη ενότητα: **ΕΝΕΡΓΟΠΟΙΗΣΗ/ ΑΠΕΝΕΡΓΟΠΟΙΗΣΗ ΤΟΥ ΑΛΥΣΟΠΡΙΟΝΟΥ**
- Ελέγξτε τη λίπανση αλυσίδας, ανατρέχοντας στην αντίστοιχη ενότητα: **ΕΛΕΓΧΟΣ ΛΙΠΑΝΣΗΣ ΑΛΥΣΙΔΑΣ**

GR

ΣΥΝΤΗΡΗΣΗ

ΚΑΘΑΡΙΣΜΟΣ

- Μετά από κάθε χρήση, καθαρίζετε τα υπολείμματα από την αλυσίδα και την οδηγητική μπάρα με μια μαλακή βούρτσα. Σκουπίζετε την επιφάνεια του αλυσοπρίονου με ένα καθαρό πανί βρεγμένο με ήπια σαπουνάδα.
- Για βαθύ καθαρισμό, αφαιρέστε τη διάταξη πλευρικού καλύμματος, κατεβάστε την οδηγητική μπάρα και την αλυσίδα αλυσοπρίονου, και χρησιμοποιήστε μια μαλακή βούρτσα για τη διεξοδική απομάκρυνση βρομιάς από την οδηγητική μπάρα, την αλυσίδα και τον οδοντοτροχό οδήγησης στην ηλεκτρική κεφαλή του αλυσοπρίονου.

- Καθαρίζετε πάντα τα ροκανίδια, τη σκόνη πριονίσματος και τους ρύπους από την εγκοπή οδηγητικής μπάρας όταν αντικαθιστάτε την αλυσίδα αλυσοπρίονου.

ΑΠΟΜΑΚΡΥΝΣΗ ΣΚΟΝΗΣ

1. Αποσυνδέστε το βύσμα ισχύος, αφήστε το αλυσοπρίονο να κρυώσει και συσφίξτε το καπάκι ρεζερβουάρ λαδιού.
2. Βάλτε το φρένο του αλυσοπρίονου
3. Χρησιμοποιήστε το συνδυαστικό μηχανικό κλειδί (παρέχεται) για να ξεβιδώσετε τη βίδα του **καπακιού απομάκρυνσης σκόνης (O-1)** ώστε να το ανοίξετε (Εικ. O1).
4. Καθαρίστε τη σκόνη κοπής και τα ροκανίδια που έχουν συσσωρευτεί στον ανεμιστήρα ψύξης, χρησιμοποιώντας πεπιεσμένο κρύο αέρα και φυσώντας από την **είσοδο αέρα (O-2)** στην αντίθετη πλευρά. (Εικ. O2).

O-1	Καπάκι απομάκρυνσης σκόνης	O-2	Είσοδος αέρα
-----	----------------------------	-----	--------------

ΣΥΝΤΗΡΗΣΗ ΟΔΗΓΗΤΙΚΗΣ ΜΠΑΡΑΣ

Όταν η οδηγητική μπάρα παρουσιάζει σημάδια φθοράς, αποσυναρμολογήστε την από την κεφαλή ισχύος αλυσοπρίονου και αντιστρέψτε την για επαναποθέτηση (Εικ. P1). Με αυτόν τον τρόπο η φθορά θα κατανεμηθεί ομοιόμορφα για μεγαλύτερη διάρκεια ζωής της μπάρας.

Η μπάρα [συμπεριλαμβανομένων **ραγών μπάρας (P-1)** και **οπής λίπανσης (P-2)**] πρέπει να καθαρίζεται κάθε ημέρα χρήσης και να ελέγχεται για φθορά και ζημιές (Εικ. P2). Σφώνωμα ή γρέζια στις ράγες μπάρας είναι φυσιολογικά σημάδια φθοράς της μπάρας. Τέτοια ίχνη πρέπει να λειαίνονται με μια λίμα μόλις εμφανιστούν. Μια μπάρα με κάποιο από τα ακόλουθα σημάδια πρέπει να αντικατασταθεί.

Φθορά στο εσωτερικό των ραγών μπάρας που επιτρέπει στην αλυσίδα να τρέχει λοξά.

- Λυγισμένη οδηγητική μπάρα.
- Ραγισμένες ή σπασμένες ράγες.
- Ανοιγμένες ράγες.

Η οδηγητική μπάρα έχει έναν οδοντοτροχό στην άκρη. Ο οδοντοτροχός πρέπει να λιπαίνεται κάθε εβδομάδα με μια σύριγγα με γράσο για την επιμήκυνση της διάρκειας ζωής της μπάρας (Εικ. P3 & P4). Περιστρέψτε τη **μύτη οδοντοτροχού (P-3)** καθώς αντλείτε **διάφανο κίτρινο, διάφανο κόκκινο ή διάφανο** γράσο στην **οπή λίπανσης (P-4)**, ώσπου να γεμίσει ολόκληρος ο οδοντοτροχός με νέο γράσο. Μην ωθείτε βρομίες μέσα στην οπή.

P-1	Ράγες μπάρας	P-3	Οδοντοτροχός
P-2	Οπή λίπανσης	P-4	Οπή λίπανσης

ΣΥΝΤΗΡΗΣΗ ΑΛΥΣΙΔΑΣ

Χρησιμοποιείτε μόνο αλυσίδες αλυσοπρίονου χαμηλού λακτίσματος σε αυτό το αλυσοπρίονο. Αυτή η αλυσίδα γρήγορης κοπής παρέχει μείωση λακτίσματος εφόσον συντηρείται σωστά.

Μια σωστά τροχισμένη αλυσίδα αλυσοπρίονου κόβει άνετα ξύλο, ακόμα και με πολύ λίγη πίεση. Ποτέ μη χρησιμοποιείτε στομαμένη ή φθαρμένη αλυσίδα αλυσοπρίονου. Η στομαμένη διάταξη κοπής αλυσίδας αλυσοπρίονου οδηγεί σε αυξημένη σωματική καταπόνηση, σε αυξημένο φορτίο κραδασμών, σε μη ικανοποιητικά αποτελέσματα κοπής και σε αυξημένες φθορές.

Για ήπια και γρήγορη κοπή, η αλυσίδα χρειάζεται σωστή συντήρηση. Η αλυσίδα απαιτεί τρόχισμα όταν τα ροκανίδια ξύλου είναι μικρά και μοιάζουν με σκόνη, η αλυσίδα πρέπει να εισέρχεται με δύναμη στο ξύλο κατά την κοπή αλλιώς η αλυσίδα θα κόψει στη μια πλευρά. Κατά τη συντήρηση της αλυσίδας, λαμβάνετε υπόψη τα εξής:

- Μια ακατάλληλη γωνία πλήρωσης της πλευρικής πλάκας μπορεί να αυξήσει τον κίνδυνο σοβαρού λακτίσματος.
- Κενό ρυθμιστή βάθους κοπής. Πολύ χαμηλό, αυξάνει την πιθανότητα λακτίσματος. Όχι αρκετά χαμηλό, μειώνει την ικανότητα κοπής.
- Εάν οι οδοντώσεις κόφτη έχουν χτυπήσει σε σκληρά αντικείμενα όπως καρφιά και πέτρες ή έχουν τριφτεί από λάσπη ή άμμο στο ξύλο, τότε ένας εξειδικευμένος τεχνικός σέρβις πρέπει να ακονίσει την αλυσίδα.

ΣΗΜΕΙΩΣΗ: Συνιστάται το ακόνισμα και η συντήρηση της **αλυσίδας αλυσοπρίονου** σε εξουσιοδοτημένα κέντρα σέρβις.

ΜΕΤΑΦΟΡΑ ΚΑΙ ΑΠΟΘΗΚΕΥΣΗ

- Μην αποθηκεύετε ή μεταφέρετε το αλυσοπρίονο όταν αυτό βρίσκεται σε λειτουργία. Αποσυνδέετε πάντα το βύσμα ισχύος πριν την αποθήκευση ή τη μεταφορά.
- Τοποθετείτε πάντα τη θήκη οδηγητικής μπάρας στην οδηγητική μπάρα και την αλυσίδα αλυσοπρίονου προτού αποθηκεύσετε ή μεταφέρετε το αλυσοπρίονο. Να είστε προσεκτικοί και να αποφεύγετε την αιχμηρή οδόντωση της αλυσίδας.
- Καθαρίστε το αλυσοπρίονο επιμελώς πριν από την αποθήκευση. Αποθηκεύστε το αλυσοπρίονο σε εσωτερικό, στεγνό χώρο που κλειδώνει και όπου δεν πλησιάζουν παιδιά.
- Να διατηρείται μακριά από διαβρωτικές ουσίες, όπως χημικές ουσίες και αποπαγωτικά άλατα κήπου.

Προστασία του περιβάλλοντος



ΑΗΗΕ (Απόβλητα ειδών ηλεκτρικού και ηλεκτρονικού εξοπλισμού) – Μην απορρίπτετε ηλεκτρικό εξοπλισμό, παλιές μπαταρίες και φορτιστές στα οικιακά απορρίμματα! Μεταφέρετε αυτό το προϊόν σε εξουσιοδοτημένο κέντρο ανακύκλωσης και παραδώστε το για ξεχωριστή συλλογή. Τα ηλεκτρικά εργαλεία πρέπει να επιστρέφονται σε περιβαλλοντικά συμβατή μονάδα ανακύκλωσης.

ΑΝΤΙΜΕΤΩΠΙΣΗ ΠΡΟΒΛΗΜΑΤΩΝ

ΠΡΟΒΛΗΜΑ	ΑΙΤΙΑ	SOLUTION
Ο κινητήρας δεν ενεργοποιείται.	<ul style="list-style-type: none"> ■ Το βύσμα ισχύος της θήκης συστοιχίας μπαταριών δεν έχει προσαρτηθεί στο αλυσοπρίονο. ■ Δεν υπάρχει ηλεκτρική επαφή μεταξύ θήκης συστοιχίας μπαταριών και συστοιχίας μπαταριών. ■ Η γλωπίδα ασφάλισης δεν είναι διπλωμένη. ■ Ο διακόπτης «ON-OFF» βρίσκεται στη θέση «OFF». ■ Το φρένο αλυσίδας έχει πιάσει. 	<ul style="list-style-type: none"> ■ Συνδέστε το βύσμα ισχύος της θήκης συστοιχίας μπαταριών στο αλυσοπρίονο. ■ Αφαιρέστε τη συστοιχία μπαταριών, ελέγξτε τις επαφές και εγκαταστήστε τη συστοιχία μπαταριών εκ νέου. ■ Διπλώστε τη γλωπίδα ασφάλισης προτού ξεκινήσετε. ■ Περιστρέψτε το διακόπτη «ON-OFF» στη θέση «ON». ■ Τραβήξτε το περύνιο φρένου λακτίσματος αλυσίδας προς τα πίσω, προς την επάνω χειρολαβή, μέχρι τη θέση λειτουργίας.
Το αλυσοπρίονο σταματά να λειτουργεί κατά την εργασία.	<ul style="list-style-type: none"> ■ Η συστοιχία μπαταριών ή η αλυσίδα αλυσοπρίονου είναι υπερβολικά ζεστά. ■ Το αλυσοπρίονο έχει υπερφορτωθεί. ■ Υπάρχουν υπερβολικά πολλά ροκανίδια μέσα στο κανάλι εξαερισμού. ■ Η συστοιχία μπαταριών έχει αδειάσει. 	<ul style="list-style-type: none"> ■ Αφήστε τη συστοιχία μπαταριών ή την αλυσίδα να κρυώσει. ■ Μειώστε το φορτίο. ■ Καθαρίστε τη σκόνη, ανατρέχοντας στην ενότητα «ΑΠΟΜΑΚΡΥΝΣΗ ΣΚΟΝΗΣ». ■ Φορτίστε τη συστοιχία μπαταριών
Το φρένο αλυσίδας δεν πιάνει.	<ul style="list-style-type: none"> ■ Βρωμιές εμποδίζουν την πλήρη κίνηση της λαβής φρένου λακτίσματος αλυσίδας ■ Πιθανή δυσλειτουργία του φρένου αλυσίδας 	<ul style="list-style-type: none"> ■ Καθαρίστε τα υπολείμματα από τον εξωτερικό μηχανισμό φρένου αλυσίδας ■ Επικοινωνήστε με την εξυπηρέτηση πελατών της EGO για επισκευή.
Δεν υπάρχει λίπανση κατά την κοπή.	<ul style="list-style-type: none"> ■ Το ρεζερβουάρ λαδιού είναι άδειο. ■ Η έξοδος λαδιού της μπάρας αλυσίδας είναι φραγμένη ■ Στερεοποίηση λαδιού σε χαμηλή θερμοκρασία 	<ul style="list-style-type: none"> ■ Συμπλήρωση λιπαντικού σε μπάρα και αλυσίδα. ■ Καθαρίστε τη σκόνη στην έξοδο λαδιού. ■ Αντικαταστήστε το λιπαντικό λάδι (με κατάλληλο για χαμηλές θερμοκρασίες)
Η ένδειξη χαμηλής στάθμης λαδιού αναβοσβήνει κόκκινη ή προβάλλει κάποιο ασυνήθιστο φως όταν το ρεζερβουάρ λαδιού γεμίζει με λάδι.	<ul style="list-style-type: none"> ■ Εάν η μηχανή χρησιμοποιηθεί υπό συγκεκριμένη γωνία χρήσης, αυτό θα εμποδίσει το λάδι στο ρεζερβουάρ λαδιού να μπει στο σωλήνα λαδιού. ■ Η κατηγορία και το χρώμα του λαδιού δε συνιστώνται. ■ Η ένδειξη χαμηλής στάθμης λαδιού εξακολουθεί να αναβοσβήνει κόκκινη. 	<ul style="list-style-type: none"> ■ Τοποθετήστε το αλυσοπρίονο επίπεδα και δοκιμάστε ξανά. ■ Χρησιμοποιήστε το συνιστώμενο διάφανο κίτρινο, διάφανο κόκκινο ή διάφανο λάδι ■ Επικοινωνήστε με την εξυπηρέτηση πελατών της EGO για επισκευή
Η ένδειξη χαμηλής στάθμης λαδιού δε λειτουργεί όταν υπάρχει έλλειψη λαδιού στο ρεζερβουάρ λαδιού.	<ul style="list-style-type: none"> ■ Η κατηγορία και το χρώμα του λαδιού δεν μπορούν να διαπιστωθούν. ■ Υπάρχει ακόμα μια μικρή ποσότητα λαδιού στο ρεζερβουάρ ή στο σωλήνα λαδιού ■ Η ένδειξη χαμηλής στάθμης λαδιού δε λειτουργεί για τους παραπάνω λόγους. 	<ul style="list-style-type: none"> ■ Χρησιμοποιήστε το συνιστώμενο διάφανο κίτρινο, διάφανο κόκκινο ή διάφανο λάδι ■ Χρησιμοποιήστε το αλυσοπρίονο για λίγο και ελέγξτε εκ νέου την ένδειξη χαμηλής στάθμης λαδιού ■ Επικοινωνήστε με την εξυπηρέτηση πελατών της EGO για επισκευή.

GR

ΕΓΓΥΗΣΗ

ΠΟΛΙΤΙΚΗ ΕΓΓΥΗΣΗΣ EGO

Επισκεφθείτε την ιστοσελίδα egopowerplus.com για όλους τους όρους και τις προϋποθέσεις της πολιτικής εγγύησης EGO.

TÜM TALIMATLARI OKUYUN!



KULLANIM KILAVUZUNU OKUYUN

⚠ Artık risk! Kalp pili gibi elektronik cihazlar kullanan kişiler bu ürünü kullanmadan önce doktorlarına danışmalıdır. Elektrikli cihazların, kalp pili yakınında çalıştırılması kalp pilinde parazite veya arızaya neden olabilir.

GÜVENLİK SEMBOLÜ

Güvenlik sembollerinin amacı olası tehlikelere dikkatinizi çekmektir. Güvenlik sembolleri ve yanlarındaki açıklamalar özel dikkat ve anlayış göstermenizi gerektirir. Uyarı sembolleri kendi başlarına herhangi bir tehlikeyi gidermez. Belirttikleri talimatlar ve uyarılar uygun kaza önleme tedbirlerinin yerine geçmez.

⚠ UYARI: Bu aleti kullanmadan önce, "TEHLİKE", "UYARI" ve "DİKKAT" gibi tüm güvenlik uyarı ve sembollerini içeren bu Kullanım Kılavuzu içerisindeki tüm güvenlik talimatlarını okuyup anladığınızdan emin olun. Aşağıdaki talimatların tamamına uyulmaması elektrik çarpması, yangın ve/veya ciddi yaralanma ile sonuçlanabilir.

SEMBOLÜN ANLAMI

Bu sayfada, bu ürün üzerinde görülebilecek güvenlik sembolleri gösterilmekte ve açıklanmaktadır. Makineyi monte etmeye ve kullanmaya başlamadan önce, makineye ilişkin tüm talimatları okuyup anlayın ve bu talimatlara uyun.

GÜVENLİK SEMBOLLERİ



Güvenlik Uyarısı



Dayanıklı malzemeden yapılmış ağır iş çalışma eldivenleri takın



Kaymayan koruyucu ayakkabı giyin



Geri Tepmeye Dikkat Edin - Pala ucunu herhangi bir nesneye temas ettirmekten kaçının



Pala Ucu Geri Tepmesi - Ucunun temas etmesi palanın aniden yukarı ve aşağı hareket etmesine ve ciddi yaralanmalara neden olabilir.



Atık elektrikli ürünler, evsel atıklar ile birlikte bertaraf edilmemelidir. Yetkili bir geri dönüşüm merkezine teslim edilmelidir.

V

Volt



Doğru Akım



Yaralanma riskini azaltmak için kullanıcı bu ürünü kullanmadan önce kullanım kılavuzunu okuyup anlamalıdır.



Üzerinize oturan kıyafetler giyin. Atkı, kravat veya takı takmayın.



Düzgünce oturan güvenlik gözlüğü, kulak içi kulaklık veya gürültü önleyici kulaklıklar ve miğfer kayışlı güvenlik kasketi kullanın.



İki Elle Tutun - Testereyi daima iki elinizle tutarak kullanın.



Pala hakkında bilgi.



Yağmura Maruz Bırakmayın.




Gürültü



CE

TR

TEKNİK ÖZELLİKLER

Voltaaj	56 V 	
Önerilen Çalışma Sıcaklığı:	-15°C-40°C	
Önerilen Depolama Sıcaklığı:	-40°C-70°C	
Optimum Şarj Sıcaklığı	5°C-40°C	
Kesme Uzunluğu	300 mm	
Zincir Hızı	20 m/s	
Zincir Adımı	3/8" (9,5 mm)	
Zincir Ölçüsü	1,1 mm	
Zincir Tipi	AC1200 (Önerilen) AC1400 (Uyumlu) AC1600 (Uyumlu)	
Pala Tipi	AG1200 (Önerilen) AG1400 (Uyumlu) AG1600 (Uyumlu)	
Ağırlık (akü ve zincir kapağı hariç)	3,5 kg	
Ölçülen ses gücü seviyesi L _{WA}	98,8 dB(A) K=3 dB(A)	
Çalışma pozisyonundaki ses gücü seviyesi L _{PA}	88,1 dB(A) K=3 dB(A)	
Garanti edilen ses gücü seviyesi L _{WA} (2000/14/EC uyarınca)	102 dB(A)	
Titreşim a _h	Ön Tutma Kolu	1,73 m/s ² K= 1,5 m/s
	Ana Tutma Kolu	2,21 m/s ² K= 1,5 m/s

TR

- Beyan edilen toplam titreşim değeri standart bir test yöntemine göre ölçülmüştür ve bir ürünü değeri ile karşılaştırmak için kullanılabilir.
- Beyan edilen toplam titreşim değeri, maruz kalma seviyesinin ilk değerlendirilmesi için de kullanılabilir.

DİKKAT: Elektrikli aletin fiili kullanımı sırasında oluşan titreşim emisyonu değeri aletin kullanım şekline bağlı olarak beyan edilen değerden farklı olabilir; Aletin kullanıcısı korunmak için fiili kullanım koşullarında eldiven ve kulak koruması takmalıdır.

AÇIKLAMA

ELEKTRİKLİ TESTERENİZİ TANIYIN (Şek. A1)

1. Testere Zinciri
2. Geri Tepme Fren Kolu
3. Kilitleme Dili
4. Ana Tutma Kolu
5. Değişken Hız Tetiği
6. Delik Halka
7. Akü Göstergesi
8. Düşük Yağ Göstergesi
9. Ön Tutma Kolu
10. Yağ Deposu Kapağı
11. Pala
12. Yağlama Deliği
13. Zincir Dişlisi
14. Germe Vidası
15. Açma-Kapatma Güvenlik Anahtarı
16. Pala Cıvatası
17. Pala Somunu
18. Yan Kapak Aksanı
19. Yağ Akışı Ayar Vidası Kapağı
20. Toz Alma Kapağı
21. Çıkarma Mekanizması
22. Elektrik Kontakları
23. Akü Çıkarma Düğmesi
24. Kemer Kancası
25. Kemer Tokası
26. Kayış
27. Güç Kabloşu Kayışı
28. Halka 1
29. Testere Kancası
30. Fiş
31. Halka 2
32. Zincir Kapağı
33. Çok Amaçlı Anahtar

AMBALAJ İÇERİĞİ (ŞEK. A1)


MONTAJ

PALA VE ZİNCİRİN MONTAJI/SÖKÜLMESİ

⚠ UYARI: Ürünü monte etmeden veya bakım yapmadan önce her zaman fişini çekin ve koruyucu eldiven takın.

⚠ UYARI: Bu elektrikli alet ile birlikte verilen tüm güvenlik uyarılarını, talimatları, çizimleri ve teknik özellikleri okuyun. Aşağıdaki talimatların tamamına uyulmaması elektrik çarpması, yangın ve/veya ciddi yaralanma ile sonuçlanabilir.

Tüm uyarı ve talimatları gelecekte başvuru amacıyla muhafaza edin.

1. Geri tepme fren kolunun  konumuna ayarlandığından emin olun.
2. **Yan kapak aksamını (A-18)** çıkarmak için **pala somununu (A-17)** saat yönünün tersine çevirin.
3. Testere zincirini halka halinde düz bir yüzey üzerine yerleştirin ve kıvrılmış yerleri düzeltin. (Şek. B1)
4. **Tahrik bağlantılarını (B-1)** pala üzerindeki **yivlere (B-2)** yerleştirin ve zinciri palanın arkasında bir halka haline getirin. (Şek. B2)
5. Zinciri pala üzerindeki konumunda tutun ve halkayı güç başlığındaki **zincir dışlısının (B-3)** etrafına yerleştirin, ardından aşağıdakileri kontrol edin (Şek. B3):
 - a) Zincir tahrik bağlantıları, **zincir dışlısının (B-3)** dişlerine oturmaldır.
 - b) **Germe vidası (B-4)** ve **pala civatası (B-5)** paladaki yuvalarına takılmış olmalıdır. **Germe pimi (B-6)** paladaki deliğe geçmiş olmalıdır.

DİKKAT: Testere zinciri dişlerindeki okların yönünün her zaman ileriye baktığından emin olun (Şek. B3).

6. Zincirin zorlanma olmadan düzgün bir şekilde takıldığından emin olmak için "TESTERE ZİNCİRİNİ GERME" bölümüne bakın.
7. Yan kapak aksamındaki iki **kılavuz çubuğunu (B-7)** testeredeki ilgili **deliklere (B-8)** hizalayın ve ardından yan kapak aksamını takın. (Şek. B4)
8. Pala somununu sıkın.

B-1	Tahrik Bağlantıları	B-5	Pala Civatası
B-2	Yiv	B-6	Germe Pimi
B-3	Zincir Dışlısı	B-7	Kılavuz Çubuklar
B-4	Germe Vidası	B-8	Delikler

DİKKAT: Palanın değiştirilmesi gerekirse yan kapak aksamını sökün ve Şek. C'de gösterildiği gibi yeni pala ile birlikte tekrar monte edin.

ÇALIŞTIRMA

UYGULAMA

- Bu elektrikli testere özellikle ağaçların budanması ve bakımı için tasarlanmıştır.



Bu testere sadece ağaç bakımı konusunda özel eğitim almış kişiler tarafından kullanılmalıdır.

DİKKAT: Testereyi ilk kez kullanacakların en azından bir testere tezgahı veya kızağı üzerinde kütük kesme alıştırmaları yapılması önerilir.

TESTERE ZİNCİRİNİN GERDİRİLMESİ

⚠ UYARI: Motor çalışırken asla zincire dokunmayın veya zinciri ayarlamayın. Testere zinciri çok keskindir; zincir üzerinde herhangi bir bakım işlemi yaparken daima koruyucu eldiven takın.

Normal testere çalışması sırasında testere zinciri genişler ve daralır. Sonuç olarak zincir gerginliği değişir. Çalışma sırasında zincir gerginliğini düzenli olarak kontrol edin ve gerekirse tekrar ayarlayın.

1. Elektrikli testereyi kapatın, zincir frenini devreye alın ve fişini çekin.
2. Pala somununu gevşetin böylece yapılacak ayarlama için pala serbestçe dönebilir.
3. Pala ucunu yukarı tutun ve aşağıdakileri sağlayacak şekilde germe vidasını ayarlayın:
 - a) Palanın ortasındaki zincir sarkması yaklaşık 1 - 2 mm olmalıdır (Şek. D).
 - b) Zincir frenini bırakın, zinciri iki parmağınızla paladan çekebilirsiniz.

DİKKAT: Yaralanmamak için bu adımı dikkatli bir şekilde gerçekleştirin. Geleneksel benzinle çalışan motorlu testerele karşılaştırıldığında buradaki DC motor manyetik parçalar içerdiği için testere zincirini iki parmağınızla oynattığınızda belirli bir miktar direnç hissedebilirsiniz. Bu işlem, benzinli testere ile yaptığınız kadar kolay değildir.

1. Pala ucunu yukarı tutun ve pala somununu sıkın.

DİKKAT: Palanın ortasındaki zincir sarkması 1-2 mm değilse zincir gerginliğini yeniden ayarlayın.

YAĞ DEPOSUNUN DOLDURULMASI

1. Elektrikli testerenin fişini çekin.
2. Yağ deposu kapağı yukarı bakacak şekilde elektrikli testereyi sağlam ve düz bir yüzeye yan tarafı üstüne yerleştirin. Yağ deposu kapağını açın. Kapak çok sıkıysa gevşetmek için ürüne birlikte verilen çok amaçlı anahtar kullanın (Şek. E).
3. Yağı, yağ deposuna dikkatlice dökün. Doldurma ağzının altına kadar doldurun. Taşan yağı silin ve kapağı kapatın.

DİKKAT:

- Satın alındığında elektrikli testerede yağ bulunmaz. Kullanmadan önce deponun yağ ile doldurulması gerekir. Çalışma sırasında zincir otomatik olarak zincir yağı ile yağlanır.
- Düşük sürtünme ve hızlı kesim sağlamak üzere özel olarak tasarlanmıştır.

- Pala ve zincir üzerinde kullanmak için özel olarak tasarlanmamış yağları veya diğer sıvıları asla kullanmayın. Aksi halde yağ sistemi tıkanabilir ve bu da pala ve zincirin erken aşınmasına neden olabilir.

YAĞ AKIŞININ AYARLANMASI (Şek. F)

- Bu testerede, aletin altında yer alan bir **Yağ Akışı Ayarlama Vidası (F-1)** vardır. Bu vida zinciri, palayı ve kesme sistemini yağlamak üzere yağ akışının ayarlanmasında kullanılır. Yağ akışı, gövde üzerinde işaretlendiği gibi okların yönünde artırılır veya azaltılır.

ELEKTRİKLİ TESTEREDEKİ LED GÖSTERGELER

Elektrikli testere, yağ durumunu ve akünün şarj seviyesini gösteren 2 adet LED gösterge ile donatılmıştır.

LED gösterge	Anlamı	Eylem
Düşük yağ göstergesi (A-8)	Yanıp sönen kırmızı	Yağ eksik
	Kapalı	Yağ var
Akü göstergesi (A-7)	Parlak yeşil	Aküde güç var
	Yanıp sönen yeşil	Akü bitmek üzere ve bir an önce şarj edilmelidir.

AKÜ KILIFININ TIRMANMA EMNİYET KEMERİNE TAKILMASI

Bu elektrikli testere ile birlikte bir akü kılıfı verilir. Kılıf, aküyü taşımak için kullanılır ve tırmanma emniyet kemerine (ürünle birlikte verilmez) takılabilir.

DİKKAT: Tırmanma emniyet kemerini takmadan önce akü kılıfını emniyet kemerine sıkıca bağlayın.

- Bu akü kılıfını tırmanma emniyet kemerine asmak için uygun bir nokta bulun ve **kemer kancasını (G-1)** kullanarak akü kılıfını emniyet kemerine takın. (Şek. G1)
- Akü kılıfını yerine sabitlemek için kemeri tırmanma emniyet kemerinin etrafına sarın (Şek. G2 ve G3).
- Güç kablosu güvenlik kayışındaki iki **halkayı (G-2)** iki karabina (ürünle birlikte verilmez) kullanarak Şek. G4'te gösterildiği gibi tırmanma emniyet kemerine takın.

G-1	Kemer Kancası	G-2	Halkalar
-----	---------------	-----	----------

DİKKAT:

- Ağaca tırmanırken güç kablosu güvenlik kayışındaki 1. ve 2. halkaları, karabinalar (ürünle birlikte verilmez) kullanarak tırmanma emniyet kemerine takın (Şek. G5).
- Alet kullanılırken 2. halkayı tırmanma emniyet kemerinden çıkarın ve kesim yapmak için testereyi iki elinizle tutun (Şek. G6).

TESTERENİN AKÜ KILIFINA SABİTLENMESİ

Güç kablosu güvenlik kayışının **testere kancasını (H-2)**, **delik halkaya (H-1)** takın. (Şek. H)

H-1	Delik halka	H-2	Testere kancası
-----	-------------	-----	-----------------

AKÜNÜN TAKILMASI/ÇIKARILMASI

DİKKAT: İlk kullanımdan önce aküyü tamamen şarj edin.

Takmak için (Şek. I1)


Akü üzerindeki çıkıntılar montaj yuvalarına hizalayıp ardından aküyü yerine oturana kadar akü kılıfının içine kaydırın.

Çıkarmak için (Şek. I2)

Aküyü çıkarmak için başparmağınızla akü çıkarma düğmesine basın.

ELEKTRİKLİ TESTERENİN ÇALIŞTIRILMASI/ DURDURULMASI

Çalıştırmak için


1. **Fişteki (J-2)** ve testerenin **elektrik soketindeki (J-1)** "▲" işaretlerini hizalayıp ardından fiş üzerindeki **YEŞİL** yalıtım soket içinde **TAMAMEN** kaybolana kadar fişi testeredeki sokete takın (Şek. J1).
2. "AÇMA/KAPATMA" düğmesine basarak "**AÇIK**" (ON) konuma getirin (Şek. J2).
3. Geri tepme fren kolunu ana tutma koluna doğru çekerek  konumuna getirin.
4. **Kilitleme dilini (J-3)** ileri doğru itin ve ardından **değişken hız tetiğine (J-4)** basın. Değişken hız tetiğini ne kadar çok çekerseniz testere zincirinin dönme hızı o kadar artar (Şek. J3).

J-1	Elektrik Soketi	J-3	Kilitleme Dili
J-2	Fiş	J-4	Değişken Hız Tetiği

Durdurmak için

1. Elektrikli testereyi durdurmak için değişken hız tetiğini serbest bırakın.

DİKKAT: Değişken hız tetiği bırakıldıktan sonra testere zinciri kısa bir süre daha dönmeye devam eder. Değişken hız tetiğini bıraktıktan sonra ve elektrikli testereyi bir yere koyarken zincire temas etmemeye dikkat edin.

2. Geri tepme fren kolunu ileri doğru iterek " konumuna getirin.
3. "AÇMA/KAPATMA" düğmesini "**KAPALI**" (OFF) konuma getirin.

▲ UYARI: Mola verdiğinizde ve işi bitirdikten sonra daima testerenin fişini çekin.

KESMEYE HAZIRLIK

Tutma Kollarını Doğru Tutuş Şekli (Şek. K)

- Maksimum düzeyde tutuş ve koruma için kaymayan eldiven takın.
- Her zaman ön tutma kolunu sol elinizle ve ana tutma kolunu sağ elinizle tutun.
- Baş parmağınızı ön tutma kolunun alt kısmına getirip parmaklarınızla tutma kolunu sıkıca kavramalısınız.

⚠ UYARI: Asla sol elinizle (çapraz tutuş) tutmayın veya vücudunuzu ya da kolunuzu zincir hattına sokacak bir şekilde durmayın.

⚠ UYARI: Tetiği sol elinizle çalıştırmayın ve ön tutma kolunu sağ elinizle tutmayın. Elektrikli testereyi kullanırken asla vücudunuzun hiçbir bölümünü zincir hattına sokmayın (Şek. L).

ZİNCİR YAĞLAMASININ KONTROLÜ (Şek. M)

DİKKAT: Elektrikli testerenin yağ deposunun uygun miktarda zincir yağı ile dolu olduğundan emin olun.

1. Palayı açık renkli bir yüzeyin üzerinde tutun.
2. Testereyi çalıştırın. Zincirin yağlanması düzgün bir şekilde gerçekleşirse 1 dakika sonra açık renkli yüzeyde temiz bir yağ çizgisi görürsünüz.
3. Açık renkli yüzey üzerinde zincir yağını hala göremiyorsanız ayarlamak için "YAĞ AKIŞININ AYARLANMASI" bölümüne bakın

AĞAÇTA ÇALIŞMA

⚠ UYARI: çalışırken veya tırmanırken sallanma veya kesme kazası olmasını önlemek için ayak dayama yeri veya ayarlanabilir lanyard gibi ek destek kullanılması önerilir.

Testereyi kullanmadan önce lütfen aşağıdaki hususları kontrol edin:

- **Zincir dişlisi (N-1)** üzerindeki aşınma işaretlerini kontrol edin, aşınma işaretleri 0,5 mm'den daha derinse zincir dişlisini değiştirmek için EGO servisi ile iletişime geçin.
- Fren sistemini de kontrol edin, **fren balatası (N-2)** üzerindeki aşınma işaretleri düzgün değilse EGO servisi ile iletişime geçerek fren balatasını mutlaka değiştirin. (Şek. N)

N-1	Zincir Dişlisi	N-2	Fren Balatası
-----	----------------	-----	---------------

- Palanın kontrolü için ilgili bölüme bakın:
PALANIN BAKIMI
- Testere zincirinin kontrolü için ilgili bölüme bakın:
ZİNCİR BAKIMI

- Zincir freninin kontrolü için ilgili bölüme bakın:
BU ELEKTRİKLİ TESTEREDEKİ GERİ TEPME GÜVENLİĞİ

AYGITLARI

- Kontrol etmek için ilgili bölüme bakın:
ELEKTRİKLİ TESTERENİN ÇALIŞTIRILMASI/ DURDURULMASI
- Zincir yağlaması kontrolü için ilgili bölüme bakın:
ZİNCİR YAĞLAMASININ KONTROLÜ

BAKIM

TEMİZLİK

- Her kullanımdan sonra yumuşak bir fırça ile zincir ve paladaki talaşları temizleyin. Elektrikli testerenin yüzeyini, hafif sabunlu bir solüsyonla nemlendirilmiş temiz bir bezle silin.
- Derin temizlik için yan kapak aksamını çıkarın, palayı ve testere zincirini sökün ve daha sonra pala, testere zinciri ve elektrikli testerenin güç başlığındaki tahrik dişlisi üzerindeki talaşları iyice temizlemek için yumuşak bir fırça kullanın.
- Testere zincirini değiştirirken daima pala yivlerindeki aħşap talaşları, tozu ve kirleri temizleyin.

TOZ GİDERME

1. Fişi çekin, testerenin soğumasını bekleyin ve yağ deposunun kapağını sıkın.
2. Testere frenini devreye alın
3. **Toz alma kapağının (O-1)** vidasını gevşetmek için çok amaçlı anahtar (ürünle birlikte verilir) kullanın (Şek. O1).
4. **Hava girişinin (O-2)** karşı tarafından basınçlı kuru hava uygulayarak soğutma kanadında biriken talaş ve kıymık parçalarını temizleyin. (Şek. O2).

O-1	Toz Alma Kapağı	O-2	Hava Girişi
-----	-----------------	-----	-------------

PALANIN BAKIMI

Aşınma belirtileri gösterdiğinde palayı elektrikli testerenin güç başlığından sökün ve ters çevirip yeniden monte edin (Şek. P1), böylece aşınma her yere dağıtılarak maksimum pala ömrü sağlanır.

Kullanıldığı her gün pala (**pala rayları (P-1)** ve **yağlama deliği (P-2)** dahil) temizlenmeli, aşınma ve hasar olup olmadığı kontrol edilmelidir (Şek. P2). Pala raylarında tüylenme veya çapaklanma oluşması, palanın aşınma sürecinde normaldir. Bu tür bozulmalar oluşur oluşmaz bir eğe ile düzeltilmelidir. Aşağıdaki bozukluklardan herhangi biri bulunan pala değiştirilmelidir.

TR

Pala raylarının içinde, zincirin yanlara doğru kaymasına neden olan aşınma.

- Eğik pala.
- Çatlak veya kırık raylar.
- Ayrık raylar.

Palanın ucunda bir zincir dişlisi bulunmaktadır. Palanın ömrünü uzatmak için bir yağ enjektörüyle zincir dişlisinin her hafta yağlanması gerekir (Şek. P3 ve P4). Tüm zincir dişlisi yeni yağla yağlanana kadar **yarı saydam sarı, yarı saydam kırmızı veya yarı saydam yağ**ı yağlama deliğine (P-4) pompalarken **uçtaki zincir dişlisini (P-3)** döndürün. Deliğe pislik sokmayın.

P-1	Pala rayları	P-3	Zincir Dişlisi
P-2	Yağlama Deliği	P-4	Yağlama Deliği

ZİNCİR BAKIMI

Bu testerede sadece düşük geri tepmeli zincirleri kullanın. Doğru şekilde bakım yapılsa hızlı kesim zinciri geri tepmeyi azaltır.

Düzgün bilenmiş bir testere zinciri, çok az basınçla dahi ahşabı kolayca kesebilir. Asla körelmiş veya hasarlı bir testere zincirini kullanmayın. Kör bir testere zincirinin kesici ucu fiziksel gerilimi, titreşim yükünü artırır, başarısız kesim sonuçlarına yol açar ve aşınmayı çoğaltır.

Sorunsuz ve hızlı bir kesim için zincir bakımı doğru şekilde yapılmalıdır. Ahşap talaşları küçük ve tozlu ise zincirin bilenmesi gerekir. Kesim sırasında zincir ahşabın içinden geçirilmelidir, aksi halde zincir tek taraftan kesim yapar. Zincirin bakımı sırasında, aşağıdaki hususlara dikkat edilmelidir:

- Yan plakanın hatalı açılıyla eğelenmesi ciddi geri tepme riskini artırabilir.
- Derinlik ölçüğü aralığı. Çok alçak olması geri tepme potansiyelini artırır. Yeterince alçak olmaması kesim becerisini azaltır.
- Kesici dişler çivi ve taş gibi sert cisimlere çarpmışsa veya ahşap üzerindeki çamur veya kum nedeniyle aşınmışsa zincirin yetkili bir servis teknisyeni tarafından bilenmesini sağlayın.

DİKKAT: testere zincirinin bilenme ve bakım işlerinin yetkili servis merkezlerinde gerçekleştirilmesi önerilir.

TAŞIMA VE DEPOLAMA

- Elektrikli testereyi çalışır durumdayken depolamayın veya taşımayın. Depolamadan veya taşımadan önce daima fişini çekin.
- Elektrikli testereyi taşımadan veya depolamadan önce daima pala ve zincirin üzerine pala kapağını takın. Zincirin keskin dişlerine karşı dikkatli olun.
- Elektrikli testereyi depolamadan önce tamamen temizleyin. Elektrikli testereyi kilitli ve/veya çocukların ulaşamayacağı, kapalı ve kuru bir yerde depolayın.
- Bahçe kimyasalları ve eritici tuzlar gibi aşındırıcı maddelerden uzak tutun.

Çevre koruması



WEEE (Atık Elektrikli ve Elektronik Cihazlar) Elektrikli cihazları, kullanılmış aküyü ve şarj cihazını evsel atıklarla bertaraf etmeyin! Bu ürünü yetkili bir geri dönüşüm merkezine götürün ve ayrı bir şekilde toplanmasını sağlayın. Elektrikli aletler çevreyle uyumlu bir geri dönüşüm tesisine götürülmelidir.

SORUN GİDERME

SORUN	NEDENİ	ÇÖZÜM
Motor çalışmıyor.	<ul style="list-style-type: none"> Akü kılıfının fişi elektrikli testereye takılı değildir. Akü kılıfı ile akü arasında elektrik bağlantısı yoktur. Kilitleme dili katlanmamıştır. “AÇMA-KAPAMA” anahtarı “KAPALI” (OFF) konumundadır. Zincir freni devrededir. 	<ul style="list-style-type: none"> Akü kılıfının fişini elektrikli testereye takın. Aküyü çıkarın, kutup noktalarını kontrol edin ve aküyü yeniden takın. Çalıştırmadan önce kilitleme dilini kapatın. “AÇMA-KAPATMA” düğmesini “AÇIK” (ON) konumuna getirin. Zincir geri tepme fren kolunu üst tutma koluna doğru geri çekerek çalışma konumuna getirin.
Elektrikli testere çalışma esnasında duruyor.	<ul style="list-style-type: none"> Akü veya elektrikli testere çok sıcaktır. Elektrikli testere aşırı yükliüdür. Çok fazla tahta parçası havalandırma kanalını tıkanmıştır. Akü boşalmıştır. 	<ul style="list-style-type: none"> Aküyü veya elektrikli testereyi soğutun. Yükü azaltın. “TOZ GİDERME” bölümüne bakarak tozu temizleyin. Aküyü şarj edin.
Zincir freni devreye girmiyor.	<ul style="list-style-type: none"> Zincir geri tepme fren kolunun tam hareketi talaş artıkları tarafından engelliyor. Muhtemel zincir freni arızası vardır. 	<ul style="list-style-type: none"> Dış zincir freni mekanizmasındaki talaş artıklarını temizleyin. Tamir için EGO Müşteri Hizmetleri ile irtibata geçin.
Kesme sırasında yağlama olmuyor.	<ul style="list-style-type: none"> Zincir yağı deposu boştur. Zincirin yağ çıkışı tıkanmıştır. Düşük sıcaklıkta yağ katılaşması vardır. 	<ul style="list-style-type: none"> Pala ve zincir yağını doldurun. Yağ çıkışındaki tozu temizleyin. Uygun yağlama yağı (düşük sıcaklıklar için uygun) ile değiştirin.
Yağ deposu yağla doluyken düşük yağ göstergesi kırmızı renkte yanıp sönüyor veya anormal ışık gösteriyor.	<ul style="list-style-type: none"> Makinenin özel bir açıda kullanılması yağ deposundaki yağın, yağ borusuna girmemesine neden olmaktadır. Yağ kategorisi ve rengi önerilen türde değildir. Düşük yağ göstergesi kırmızı renkte yanıp sönmeye devam ediyordur. 	<ul style="list-style-type: none"> Elektrikli testereyi düz tutun ve yeniden deneyin. Önerilen yarı saydam sarı, yarı saydam kırmızı veya yarı saydam yağı kullanın. Tamir için EGO Müşteri Hizmetleri ile irtibata geçin.
Yağ deposunda yağ azaldığında düşük yağ göstergesi çalışmıyor.	<ul style="list-style-type: none"> Yağın kategorisi ve rengi tanımlanamamıştır. Yağ deposunda veya yağ borusunda küçük miktarda yağ kalmıştır. Düşük yağ göstergesi yukarıdaki nedenlerle hala çalışmıyor. 	<ul style="list-style-type: none"> Önerilen yarı saydam sarı, yarı saydam kırmızı veya yarı saydam yağı kullanın. Elektrikli testereyi bir süre kullanın ve ardından düşük yağ göstergesini tekrar gözlemleyin. Tamir için EGO Müşteri Hizmetleri ile irtibata geçin.

TR

GARANTİ

EGO GARANTİ POLİTİKASI

EGO Garanti Politikasına ilişkin tüm hükümler ve koşullar için lütfen egopowerplus.com adresindeki web sitemizi ziyaret edin.

LUGEGE KÕIKI JUHISEID!



LUGEGE KASUTUSJUHENDIT

⚠ Kaasnev risk! Inimesed, kes kasutavad elektroonilisi seadmeid, nt südamestimulaatorit, peaksid enne selle toote kasutamist konsulteerima oma arstiga. Elektriseadmete kasutamine südamestimulaatori läheduses võib põhjustada südamestimulaatori häireid või rikkeid.

OHUTUSSÜMBOL

Ohutussümbolite eesmärk on pöörata tähelepanu võimalikele ohtudele. Ohutussümbolitele ja nende juures olevatele seletustele tuleb korralikult tähelepanu pöörata ja need endale selgeks teha. Ohutussümbolid iseenesest ei kõrvalda ohtu. Nendega kaasnevad juhendid ja hoiatused ei asenda asjakohaseid õnnetuste ennetamise meetmeid.

⚠ HOIATUS: Enne käesoleva seadme kasutamist lugege kindlasti läbi ja tehke endale selgeks kõik kasutusjuhendis toodud ohutusjuhised, sh kõik ohutussümbolid nagu „OHT,” „HOIATUS,” ja „ETTEVAATUST”. Kui allpool loetletud juhiseid ei järgita, võib tagajärjeks olla elektrilöökk, tulekahju ja/või tõsised isikuvigastused.

SÜMBOLITE TÄHENDUSED

Sel lehel on kujutatud ja kirjeldatud ohutussümboliteid, mida võib käesolevalt tootelt leida. Enne seadme kokkupanemist ja kasutamist lugege, tehke omale selgeks ja järgige kõiki juhiseid.

OHUTUSSÜMBOLID



Ohutusteade



Vigastuste ohu vähendamiseks peab kasutaja enne toote kasutamist lugema kasutusjuhendit ja selle endale selgeks tegema.



Kandke vastupidavast materjalist töökindaid



Kandke ümber keha hoidvaid riideid. Ärge kandke salli, lipsu ega ehteid



Kandke libisemiskindlaid turvajalanõusid



Kandke hästiistuvaid kaitseprille, kõrvatroppe või -klappe ning lõuarihmaga kiivrit



Arvestage tagasilöögiga- Vältige juhtlati tipu kokkupuudet teiste objektidega.



Kahe käe haare- Mootorsaega töötades kasutage alati kaht kätt.



Juhtlati tipu tagasilöökk- Tipu kokkupuutel teiste objektidega võib juhtlatti järsult üles ja tahapoole liikuda ning raskeid vigastusi põhjustada.



Teave juhtlati kohta.



Elektriseadmete jäätmeid ei tohi visata olmejäätmete hulka. Viige volitatud taaskäitleja juurde.



Mitte jätta vihma kätte.

V Volti



Müra

Alalisvool



CE

ET

SPETSIFIKATSIOONID

Pinge	56 V	
Soovituslik töökeskkonna temperatuur:	-15°C-40°C	
Soovituslik hoiustamise temperatuur:	-40°C-70°C	
Optimaalne laadimistemperatuur	5°C-40°C	
Lõikepikkus	300 mm	
Saeketi kiirus	20 m/s	
Ketisamm	3/8" (9,5 mm)	
Keti mõõdik	1,1 mm	
Saeketi tüüp	AC1200 (Soovitatud) AC1400 (ühilduv) AC1600 (ühilduv)	
Juhtlatti tüüp	AG1200 (Soovitatud) AG1400 (ühilduv) AG1600 (ühilduv)	
Mass (ilma akuploki ja keti kaitseta)	3,5 kg	
Möödetud helivõimsuse tase L_{WA}	98,8 dB(A) K=3 dB(A)	
Helirõhk seadme tööasendis L_{PA}	88,1 dB(A) K=3 dB(A)	
Garanteeritud helirõhk L_{WA} (2000/14/EC kohaselt)	102 dB(A)	
Vibratsioon a_n	Eesmine käepide	1,73 m/s ² K= 1,5 m/s
	Põhikäepide	2,21 m/s ² K= 1,5 m/s

- Esitatud vibratsioonitaseme näit on möödetud standardsete testmeetodite kohaselt ja seda võidakse kasutada erinevate tööriistade võrdlemiseks.
- Esitatud vibratsioonitaseme näitu võib kasutada ka algse kokkupuutehinna andmiseks.

MÄRKUS! Tegelikul kasutamisel tekiv vibratsioonitase võib esitatust erineda; turvalisuse eesmärgil peaks seadme kasutaja tegelikes kasutustingimustes kandma kindaid ja kuulmiskaitseid.

KIRJELDUS

TUNNE OMA KETSAAGI (joon. A1)

1. Saekett
2. Tagasilöögipiduri hoob
3. Lukustuskeel
4. Põhikäepide
5. Kiiruse reguleerimise päästik
6. Auguke
7. Aku täituvuse märgutuli
8. Madala õlitase märgutuli
9. Eesmine käepide
10. Õlimahuti kork
11. Juhtlatt
12. Määrdeava
13. Ketiratas
14. Pingutuskruvi
15. Toitelüliti (On-Off)
16. Juhtpolt
17. Lati mutter
18. Kõljekatte moodul
19. Õliwoo lu reguleerimise kruvi kate
20. Tolmueemaldussüsteemi kate
21. Väljutusmehhanism
22. Klemmid
23. Akuvabastusnupp
24. Rihma konks
25. Vööklamber
26. Rihm
27. Turvarihm
28. Rõngas 1
29. Sae konks
30. Pistik
31. Rõngas 2
32. Keti kaitse
33. Kombivõti

PAKENDI LOEND (JOON. A1)

KOKKUPANEK


LATI JA KETI KOKKUPANEK/LAHTIVÕTMINE

⚠ HOIATUS! Enne toote kokkupanekut või hooldamist eemaldage alati pistik vooluvõrgust ja kandke kaitsekindaid.

⚠ HOIATUS! Lugege läbi kõik elektritööriista kaasas olevad hoiatused, juhised, joonised ja andmed. Alltoodud juhiste eiramine võib põhjustada elektrilööki, tulekahju ja/või tõsiseid vigastusi.

Säilitage hoiatused ja juhised hilisemaks kasutuseks.

ET

1. Kontrollige, et tagasilöögipiduri hoob on seatud  asendisse
2. Keerake **lati mutter (A-17)** vastupäeva lahti ja eemaldage **küljekatte moodul (A-18)**.
3. Seadke saekett siledal pinnal silmuseks ja tõmmake väänded jms sirgeks. (joon. B1)
4. Asetage **keti veolülid (B-1)** juhtlati **soone (B-2)** sisse ja tehke juhtlati tagaosas ketist silmus. (joon. B2)
5. Hoidke ketti juhtlatil ja asetage silmus ümber tööriistapea **ketiratta (B-3)** ning kontrollige järgnevat (joon. B3).

Keti veolülid asuvad **ketiratta (B-3)** hammastel.

Pingutuskruvi (B-4) ja **juhtpolt (B-5)** asuvad juhtlati avas. **Ketipinguti tihvt (B-6)** asub juhtlati avas.

MÄRKUS! Kontrollige, et saeketi hammastel olevad nooled on alati ettepoole suunatud (joon. B3).

6. Lugege jaotist „SAEKETI PINGUTAMINE“ ja kontrollige, et kett on korrektselt kokku pandud, et see kinni ei kiiluks.
7. Joondate küljekatte mooduli kaks **juhtvarrast (B-7)** sae vastavate **avadega (B-8)** ja seejärel paigaldage küljekatte moodul. (joon. B4)
8. Keerake lati mutter tugevamalt kinni.

B-1	Veolülid	B-5	Juhtpolt
B-2	Soon	B-6	Ketipinguti tihvt
B-3	Ketiratas	B-7	Juhtvardad
B-4	Pingutuskruvi	B-8	Avad

JMÄRKUS! Kui juhtlati on vaja välja vahetada, siis võtke küljekatte moodul lahti ja pange see uue juhtlatiga uuesti kokku, nagu on näidatud joon. C.

SEADME KASUTAMINE

RAKENDUSALAD

ET

- See kettsaag on mõeldud konkreetselt puude hoolduseks puude otsas.



Saagi tohivad kasutada vaid isikud, kes on läbinud spetsiaalse puude hooldamise koolituse.

MÄRKUS! Soovitame, et esmakordne kasutaja peaks harjutama vähemalt palkide lõikamist saagimispuul või sarnasel tugiraamil.

SAEKETI PINGUTAMINE

⚠ HOIATUS! Ärge puudutage ega reguleerige ketti, kui mootor töötab. Saekett on väga terav; kandke kethooldustõid tehes alati kaitsekindaid.

Sae tavapärasel kasutamisel saekett paisub või tõmbub kokku. Selle tulemusel muutub ka keti pinge. Kasutamise ajal kontrollige keti pinget regulaarselt ja vajadusel reguleerige seda.

1. Lülitage kettsaag välja, rakendage ketipidur ja eemaldage seade vooluvõrgust.
2. Keerake lati mutrit lahti nii, et juhtlatt saab edasise reguleerimise ajal vabalt liikuda.
3. Suunake juhtlati tipp üles ja reguleerige pingutuskruvi, kuni järgnevad punktid on täidetud.
 - a) Keti lõtk juhtlati keskosas on umbes 1-2 mm (joon. D).
 - b) Vabastage ketipidur ja kontrollige, et ketti saab kahe sõrme abil juhtlati pidi liigutada.

MÄRKUS! Isikuvigastuste vältimiseks olge sellel sammul hoolikas ja ettevaatlik. Kuna see alalisvoolumootor sisaldab magnetilist materjali, siis võrreldes tavapärase bensiinimootoriga saega tunnete kahe sõrmega saeketti liigutades veidi rohkem takistust. See liikumine ei ole nii sujuv kui bensiinimootoriga kettsae puhul.

4. Hoidke juhtlati tippu üleval ja keerake lati mutter kinni.

MÄRKUS! Kui keti lõtk juhtlati keskosas ei ole vahemikus 1-2 mm, siis reguleerige keti pinget.

ÕLIPAAGI TÄITMINE

1. Eemaldage toitepistik kettsae küljest.
2. Pange kettsaag küllili kindlale tasasele pinnale nii, et õlipaagi kork on suunatud ülespoole. Avage õlipaagi kork. Kui see on liiga kõvasti kinni, kasutage selle vabastamiseks kombivõtme (komplektis) pilupeatsa (joon. E).
3. Valage õli ettevaatlikult õlipaaki. Täitke paak kuni täitekaela alumise osani. Pühkige üleliigne õli ära ja sulgege õlipaak.

MÄRKUS!

- Ostetud saag ei ole algselt õliga täidetud. Enne esmakasutust tuleb õlipaak kindlasti täita. Ketti õlitatakse töö käigus ketiõliga automaatselt.
- See on loodud esmäärgiga vähendada hõõrdumist ja võimaldada kiiremat lõikamist.
- Ärge kunagi kasutage õli või teisi määrdeaineid, mis ei ole mõeldud juhtlati ja keti määrimiseks. Vale määrdeaine kasutamine võib tekitada õlisüsteemi ummistuse, mille tagajärjeks on juhtlati ja keti enneaegne kulumine.

ÕLIVOOLU REGULEERIMINE (joon. F)

- Saag on varustatud õlivoolu reguleerimise kruviga (F-1), mis asub tööriista all. Seda kasutatakse keti, juhtlati ja lõikesüsteemi määrimiseks vajaliku õlivoolu reguleerimiseks. Õlivoolu saab suurendada või vähendada vastavalt tööriista korpusele märgitud noolte suunale.

KETTSAE LED-MÄRGUTULI

Kettsael on kaks LED-märgutuld, mis näitavad õli taset ja akuplokkide laetuse taset.

LED-märgutuli	Tähendus	Toiming
Madala õlitase märgutuli (A-8)	Vilkuv punane	Õli on vähe
	Väljas	Õli on olemas
Aku täitvuse märgutuli (A-7)	Põlev roheline	Akuplokk on laetud
	Vilkuv roheline	Akuplokk hakkab tühjaks saama ja seda tuleb viivitamatult laadida.

AKUHOIDIKU KINNITAMINE RONIMISRAKMETE KÜLGE

Sellel kettsael on akuhoidik, mida kasutatakse akuploki kandmiseks ja mida on võimalik kinnitada ronimisrakmete külge (ei ole kompleksis).

MÄRKUS! Kinnitage akuhoidik kindlalt ronimisrakmete külge enne ronimisrakmete enda külge panemist.

1. Otsige ronimisrakmetelt akuhoidiku kinnitamiseks sobiv koht ja riputage akuhoidik ronimisrakmetele rihma konksu (G-1) abil. (joon. G1)
2. Akuhoidiku paika kinnitamiseks tõmmake rihm ümber ronimisrakmete (joon. G2 ja G3).
3. Kinnitage turvarihma kaks rõngast (G-2) ronimisrakmete külge kahe karabiiniga (ei ole kompleksis), nagu on näidatud joon. G4.

G-1	Rihma konks	G-2	Rõngad
-----	-------------	-----	--------

MÄRKUS!

- Puu otsa ronimisel tuleb kinnitada turvarihma rõngad 1 ja 2 karabiinidega (ei ole kompleksis) ronimisrakmete külge (joon. G5).
- Tööriista kasutamiseks eemaldage rõngas 2 ronimisrakmete küljest ja lõigake, hoides saagi kahe käega (joon. G6).

SAE KINNITAMINE AKUHOIDIKU KÜLGE

Kinnitage turvarihma sae konks (H-2) augukese (H-1) külge. (joon. H)

H-1	Auguke	H-2	Sae konks
-----	--------	-----	-----------

AKUPLOKI PAIGALDAMINE/EEMALDAMINE

MÄRKUS! Enne esimest kasutuskorda laadige akuplokk täiesti täis.

Paigaldamiseks (joon. I1)

Joondage akuploki sakid paigaldussoontega ja seejärel libistage akuplokk akuhoidikusse nii, et see klõpsatusega kinnitub.

Eemaldamiseks (joon. I2)

Akuploki eemaldamiseks vajutage akuvabastusnuppu pöidlaga.

KETTSAE KÄIVITAMINE/SEISKAMINE

Käivitamiseks

1. Joondage "▲" märgised pistik (J-2) kettsae pistikupesaga (J-1), seejärel ühendage pistik kettsaega nii, et pistiku ROHELINE osa läheb TÄIES ULATUSSES pistikupesa sisse (joon. J1).
2. Seadke toitelüliti (On-Off) asendisse „ON“ (joon. J2).
3. Tõmmake tagasilöögiduri hooba põhikäepideme poole tööasendisse.
4. Liigutage lukustuskeelt (J-3) ettepoole ja seejärel vajutage kiiruse reguleerimise päästikut (J-4). Mida kaugemale kiiruse reguleerimise päästikut tõmmata, seda suuremaks saeketi kiirus läheb (joon. J3).

J-1	Pistikupesa	J-3	Lukustuskeel
J-2	Pistik	J-4	Kiiruse reguleerimise päästik

Peatamiseks

1. Vabastage kiiruse reguleerimise päästik ja peatage kettsaag.

MÄRKUS! Kiiruse reguleerimise päästiku vabastamise järel liigub saekett veel veidi aega edasi. Ettevaatust! Vältige kokkupuudet saeketiga kiiruse reguleerimise päästiku vabastamise järel ning kettsae maha panemisel.

2. Lükake tagasilöögiduri hoob ettepoole pidurdusasendisse " ".
3. Seadke toitelüliti (On-Off) asendisse „OFF“

⚠ HOIATUS! Tööpauside ajal ja pärast töö lõpetamist eemaldage alati pistik kettsae küljest.

ET

ETTEVALMISTUS LÕIKAMISEKS

Korrektne käepidemetest hoidmise viis (joon. K)

- Võimalikult tugeva haarde ja turvalisuse tagamiseks kasutage mittelibisevast materjalist kindaid.
- Hoidke alati vasaku käega eesmisest käepidemest ja parema käega põhikäepidemest.
- Asetage sõrmed ümber käepideme nii, et põial on eesmise käepideme all.

⚠ HOIATUS! Ärge kunagi töötage vasakukäelise haardega (käed risti) ega niisuguse hoiakuga, mille puhul teie keha või käsi jääb saeketi liikumistrajektorile.

⚠ HOIATUS! Ärge vajutage päästikut vasaku käega ega hoidke eesmist käepidet parema käega. Ketsae kasutamisel jälgige, et mitte ükski teie kehaosa ei jääks saeketi liikumistrajektorile (joon. L).

KETI MÄÄRDE KONTROLLIMINE (joon. M)

MÄRKUS! Kontrollige, et ketsae õlipaagis on korrektne kogus ketiõli.

1. Hoidke juhtlatti heleda pinna kohal.
2. Lülitage saag sisse. Kui keti määrimine toimib korrektselt, siis ühe minuti pärast peaksite nägema heledal pinnal selget õlijoont.
3. Kui ketiõli ei ole heledal pinnal näha, siis lugege jaotist "ÕLIVOOJU REGULEERIMINE" ja reguleerige õlivoolu.

SEADME KASUTAMINE PUU OTSAS

⚠ HOIATUS! Töötamisel või ronimisel soovitage kasutada täiendavat toetust, nt. jaluseid, reguleeritavat trossi, mis aitavad ennetada kukkumist või lõikamisega seotud õnnetusi.

Enne seadme kasutamist kontrollige järgnevat.

- Kontrollige **ketiratta (N-1)** kulumismärke. Kui kulumismärgid on suuremad kui 0,5 mm, siis võtke ühendust EGO hoolduskeskusega, kus ketiratas välja vahetatakse.
- Kontrollige ka pidurdussüsteemi. Kui **piduri hõõrdkate (N-2)** on ebaühtlane, siis võtke ühendust EGO hoolduskeskusega, kus piduri hõõrdkate välja vahetatakse. (joon. N)

N-1	Ketiratas	N-2	Piduri hõõrdkate
-----	-----------	-----	------------------

- Kontrollige juhtlatti - vt. asjakohast jaotist. **JUHTLATI HOOLDAMINE**
- Kontrollige saeketti - vt. asjakohast jaotist. **KETI HOOLDUS**

- Kontrollige ketipidurit - vt. asjakohast jaotist. **TAGASILÕÕGIGA SEOTUD TURVASEADMED SELLEL**

KETSAEL

- Kontrollige juhtseadiseid - vt. asjakohast jaotist. **KETSAE KÄIVITAMINE/SEISKAMINE**
- Kontrollige keti määret - vt. asjakohast jaotist. **KETI MÄÄRDE KONTROLLIMINE**

HOOLDUS

PUHASTAMINE

- Pärast iga kasutuskorda puhastage kett ja juhtlatt pehme harjaga. Pühkige sae pind puhta, lahja seebilahusega niisutatud lapiga puhtaks.
- Sügavpuhastuseks eemaldage küljekatte moodul, juhtlatt ja saekett ning seejärel eemaldage pehme harjaga kogu mustus nii juhtlatilt, saeketilt kui ketsae tööriistapeale olevalt ketirattalt.
- Saeketi vahetamisel eemaldage juhtlatti soonest alati puidutükid, saepuru ja mustus.

TOLMU EEMALDAMINE

1. Eemaldage pistik vooluvõrgust, laske ketsael jahtuda ja keerake õlipaagi kork tugevamalt kinni.
2. Rakendage sae pidur
3. Kasutage kombivõtit ja keerake lahti **tolmueemaldussüsteemi kate (O-1)** kruvi ning avage see (joon. O1).
4. Eemaldage jahutusvõresse kogunenud saepuru ja puidutükid suruõhuga **õhu sissevõtuava (O-2)** teiselt poolelt. (joon. O2).

O-1	Tolmueemaldussüsteemi kate	O-2	Õhu sissevõtuava
-----	----------------------------	-----	------------------

JUHTLATI HOOLDAMINE

Kui juhtlatt on kulumud, eemaldage see ketsae tööriistapea küljest ja pange see teistpidi tagasi (joon. P1) - nii saab kulumist jaotada ja seega lati maksimaalset eluiga ära kasutada.

Juhtlatti tuleks igapäevaselt puhastada (kaasa arvatud **leti relse (P-1)** ja **määrdeava (P-2)**) ning pärast puhastamist kontrollida kulumist ja kahjustumist. Lati relsside narmastumine või karestumine on normaalne kulumisprotsess. Sellised vead tuleks ilmnemisel kohe viiuga siluda. Allpool mainitud vigadega latt tuleb välja vahetada.

Lati relsside niisugune kulumine, mille tõttu võib kett küllili minna.

- Paindunud juhtlatt.
- Mõranenud või katkised relsid.
- Laiali vajunud relsid.

Juhtlati tipu juures asub ketiratas. Juhtlati tööea pikendamiseks tuleb ketiratas igal nädalal õlisüstla abil õlitada (joon. P3 ja P4). Keerake **ketiratta ninaosa (P-3)** ja samal ajal pumbake **poolläbipaistvat kollast, poolläbipaistvat punast või poolläbipaistvat määrdeainet määrdeavasse (P-4)** seni, kuni kogu ketiratas on kaetud uue määrdeainega. Ärge mustust avasse lükake.

P-1	Keti relsid	P-3	Ketiratas
P-2	Määrdeava	P-4	Määrdeava

KETI HOOLDUS

Selle saega tohib kasutada ainult nõrga tagasilöögiga kette. Õigesti hooldatud kiire saekett vähendab tagasilööki.

Korralikult teritatud saekett löikab puitu vähese vaevaga ka siis, kui rakendada väga väikest jõudu. Ärge kasutage nööri või kahjustatud saeketti. Nööri saekett põhjustab suuremat füüsilist pinget, tugevamat vibratsiooni, mitterahuldavaid löikamistulemusi ja suuremat kulumist.

Sujuvaks ja kiireks löikamiseks tuleb ketti korralikult hooldada. Kett vajab teritamist, kui saagimise tulemusena tekkiv saepuru koosneb väikestest ja pulbrilistest tükkidest, ketti peab löikamise ajal puidust läbi suruma või kett löikab ühelt küljelt. Keti hooldamise käigus pidage silmas järgnevat.

- Vale nurga all paigaldatud külglaplaat võib tekitada tugeva tagasilöögi ohu.
- Räsa (sügavusmõõdiku) kliirens. Liiga väike kliirens suurendab tagasilöögi tõenäosust. Liiga suur kliirens vähendab löikevõimet.
- Kui löikehambad puutuvad vastu kõvasid objekte, näiteks vastu naelu või kivisid, või kuluvad puul oleva muda või liivaga kokku puutumise tulemusena, laske kvalifitseeritud hooldustehnikul ketti teritada.

MÄRKUS! Soovitame lasta **saeketti** teritada ja hooldada vaid volitatud hoolduskeskustes.

TRANSPORTIMINE JA HOUSTAMINE

- Ärge transportige ega hoiustage töötavat kettsaagi. Hoiustamise ja transportimise ajaks eemaldage seade alati vooluvõrgust.
- Enne kettsae hoiustamist ja transportimist pange juhtlati ja keti peale alati juhtlati kaitse. Olge ettevaatlik ja vältige keti teravaid hambaid.
- Enne hoiustamist puhastage saag hoolikalt. Hoidke saagi sisetingimustes, kuivas, lukustatud ja lastele kättesaamatus kohas.
- Hoidke seda eemal korrodeerivatest ainetest (nt aiakemikaalid ja jääsulatussoolad).

Keskonnakaitse



Elektri- ja elektroonikaseadmetest tekkinud jäätmete direktiiv (WEEE). Ärge visake elektriseadmeid, kasutatud akut ega laadijat olmeprügi hulka! Viige toode volitatud taaskäitleja juurde ja võimaldage selle komponendid sorteerituna kõrvaldada. Elektritööriistad viige keskkonnakaitseasutuste järgivasse jäätmekäitluskeskusesse.

TÖRKEOTSING

PROBLEEM	PÕHJUS	LAHENDUS
Mootor ei käivitu.	<ul style="list-style-type: none"> ■ Akuhoidiku pistik pole kettsaega ühendatud. ■ Akuhoidiku ja aku vahel puudub elektriline ühendus. ■ Lukustuskeel ei ole üles volditud. ■ Toitelüliti "ON-OFF" on asendis "OFF". ■ Ketipidur on aktiivne. 	<ul style="list-style-type: none"> ■ Ühendage akuhoidiku pistik kettsaega. ■ Eemaldage aku, kontrollige ühendusi ja pange akuplokk tagasi. ■ Enne alustamist voltige lukustuskeel üles. ■ Seadke toitelüliti "ON-OFF" asendisse "ON". ■ Tõmmake keti tagasilöögiduri hooba pealmise käepideme poole tööasendisse.
Kettsaag seiskub töö käigus.	<ul style="list-style-type: none"> ■ Akuplokk või kettsaag on liiga kuum. ■ Kettsaag on ülekoormatud. ■ Ventilatsioonikanal on liigse puiduga blokeeritud. ■ Akuplokk on tühi. 	<ul style="list-style-type: none"> ■ Laske akuplokil või kettsael jahtuda. ■ Vähendage koormust. ■ Tolmu eemaldamise kohta lugege jaotisest "TOLMUEEMALDUS". ■ Laadige akuplokki.
Ketipidur ei tööta.	<ul style="list-style-type: none"> ■ Mustus takistab keti tagasilöögiduri hoova täies ulatuses liikumist. ■ Võimalik ketipiduri rike 	<ul style="list-style-type: none"> ■ Eemaldage väliselt ketipidurit mustus. ■ Küsige abi EGO hoolduskeskusest.
Lõikamisel määrdeaine lisandumist ei toimu.	<ul style="list-style-type: none"> ■ Ketiõli paak on tühi. ■ Ketiõli väljalase on blokeeritud. ■ Õli on madalal temperatuuril tahkemaks muutunud. 	<ul style="list-style-type: none"> ■ Lati ja keti määrdeaine lisamine. ■ Eemaldage tolm õli väljalaskest. ■ Asendage see õige määrdeainega (mis sobib madalate temperatuuride puhul).
Madala õlitaseme märgutuli vilgub punaselt või on ebanormaalset värvi, samas kui õlipaak on õli täis.	<ul style="list-style-type: none"> ■ Seadme kasutusnurk põhjustab olukorra, kus õli ei jõua õlipaagist õlivoolikusse. ■ Kasutatakse mittesoovitatud kategooria ja värviga õli. ■ Madala õlitaseme märgutuli vilgub ikka punaselt. 	<ul style="list-style-type: none"> ■ Keerake kettsaag tasaseks ja proovige uuesti. ■ Kasutage soovitatud poolläbipaistvat kollast, poolläbipaistvat punast või poolläbipaistvat õli. ■ Remontimisel küsige abi EGO hoolduskeskusest.
Madala õlitaseme märgutuli ei tööta, kuigi õlipaagis on vähe õli.	<ul style="list-style-type: none"> ■ Kasutatava õli kategooria ja värvi ei ole määratletavad. ■ Õlipaagis või õlivoolikus on ikka väike kogus õli. ■ Madala õlitaseme märgutuli ei tööta ikka veel ülaltoodud põhjustel. 	<ul style="list-style-type: none"> ■ Kasutage soovitatud poolläbipaistvat kollast, poolläbipaistvat punast või poolläbipaistvat õli. ■ Kasutage kettsaagi vähese aja jooksul ja seejärel vaadake uuesti madala õlitaseme märgutuld. ■ Küsige abi EGO hoolduskeskusest.

ET

GARANTII

EGO GARANTIIPÕHIMÕTTED

Täielikud EGO garantiitingimused leiate veebilehelt egopowerplus.com.

ПРОЧИТАЙТЕ ВСІ ІНСТРУКЦІЇ



ПРОЧИТАЙТЕ ПОСІБНИК З ЕКСПЛУАТАЦІЇ

⚠ Залишковий ризик! Люди з електронними пристроями, наприклад кардіостимуляторами, повинні проконсультуватися зі своїм лікарем (лікарями) перед використанням цього виробу. Експлуатація електрообладнання в безпосередній близькості від кардіостимулятора може спричинити перешкоди або несправність кардіостимулятора.

СИМВОЛ БЕЗПЕКИ

Мета символів, пов'язаних із безпекою, – привернути вашу увагу до можливих небезпек. Символи безпеки та їхнє пояснення заслуговують на вашу пильну увагу та розуміння. Символи попереджень самі по собі не усувають будь-якої небезпеки. Інструкції та попередження, які вони надають, не замінюють належних заходів щодо запобігання аваріям.

⚠ ПОПЕРЕДЖЕННЯ. Перш ніж користуватися цим інструментом, обов'язково ознайомтеся з усіма інструкціями з безпеки, наведеними в цьому посібнику користувача, зокрема з усіма символами попереджень, такими як «**НЕБЕЗПЕКА**», «**ПОПЕРЕДЖЕННЯ**» та «**ЗАСТЕРЕЖЕННЯ**». Недотримання наведених нижче вказівок може спричинити ураження електричним струмом, пожежу та/або серйозні травми.

ЗНАЧЕННЯ СИМВОЛУ

На цій сторінці зображено та описано символи, пов'язані з безпекою, які можуть відобразитися на цьому виробі. Перш ніж намагатися зібрати та експлуатувати його, ознайомтеся з усіма інструкціями на інструменті та дотримуйтесь їх.

СИМВОЛИ, ЩО СТОСУЮТЬСЯ БЕЗПЕКИ



Попередження щодо безпеки



Щоб зменшити ризик травми, користувач повинен ознайомитися з інструкцією користувача перед використанням цього виробу.



Надягайте цупкі робочі рукавички з міцного матеріалу.



Носіть облягаючий одяг. Не носіть шарф, краватку або прикраси.



Надягайте нековзне захисне взуття



Носіть припасовані захисні окуляри, беруші або навушники та захисну каску з ремінцем на підборідді.



Остерігайтеся віддачі – необхідно уникати контакту кінчика напрямної шини з будь-яким предметом



Тримайте обома руками – під час роботи з ланцюговою пилою завжди тримайте її обома руками.



UK



Віддача кінчика напрямної шини – контакт із кінчиком може призвести до того, що напрямна шина може раптово рухатися вгору і назад, що може спричинити серйозну травму.



Інформація про напрямну шину



Відходи електричних виробів не слід викидати разом із побутовим сміттям. Зверніться до авторизованого пункту переробки.



Не залишайте під дощем.

V Вольти



Шум



Постійний струм



CE

ТЕХНІЧНІ ХАРАКТЕРИСТИКИ

Напруга	56 В	
Діапазон рекомендованих робочих температур:	-15°C-40°C	
Діапазон рекомендованих температур зберігання:	-40°C-70°C	
Оптимальна температура заряджання	5°C-40°C	
Довжина різання	300 мм	
Швидкість ланцюга	20 м/с	
Крок ланцюга	3/8" (9,5 мм)	
Калібр ланцюга	1,1 мм	
Тип пильного ланцюга	AC1200 (рекомендований) AC1400 (сумісний) AC1600 (сумісний)	
Тип напрямної шини	AG1200 (рекомендований) AG1400 (сумісний) AG1600 (сумісний)	
Вага (без акумулятора, футляра ланцюга)	3,5 кг	
Вимірний рівень звукової потужності L_{WA}	98,8 дБ(А) K=3 дБ(А)	
Рівень звукового тиску на робочому місці L_{PA}	88,1 дБ(А) K=3 дБ(А)	
Гарантований рівень звукової потужності L_{WA} (відповідно до стандарту 2000/14/ЄС)	102 дБ(А)	
Вібрація a_n	Передня ручка	1,73 м/с ² K= 1,5 м/с
	Основна ручка	2,21 м/с ² K= 1,5 м/с

- Вказане загальне значення вібрації виміряне за стандартним методом тестування і може використовуватися для порівняння одного інструмента з іншим;
- Заявлене сумарне значення вібрації може також використовуватись для попередньої оцінки впливу.

ПРИМІТКА. Емісія вібрації під час фактичного використання електроінструмента може відрізнятись від заявленої величини, у якій використовується інструмент. Щоб захистити оператора, користувач

повинен одягати рукавички та захисні навушники в реальних умовах використання.

ОПИС

ОЗНАЙОМЛЕННЯ З ЛАНЦЮГОВОЮ ПИЛОЮ (рис. А1)

1. Пильний ланцюг
2. Ручка гальма віддачі ланцюга
3. Запірний язичок
4. Основна ручка
5. Пусковий перемикач зі змінною швидкістю
6. Вушко
7. Індикатор заряду акумулятора
8. Індикатор низького рівня мастила
9. Передня ручка
10. Кришка бачка для мастила
11. Напрямна шина
12. Змащувальний отвір
13. Зірочка
14. Гвинт натягу
15. Захисний вимикач
16. Напрямний болт
17. Гайка шини
18. Бічна кришка в зборі
19. Кришка гвинта регулювання потоку масла
20. Кришка для видалення пилу
21. Механізм викидання
22. Електричні контакти
23. Кнопка звільнення батареї
24. Гачок для ременя
25. Пряжка
26. Ремінь
27. Стропа
28. Кільце 1
29. Гачок пили
30. Електрична вилка
31. Кільце 2
32. Футляр ланцюга
33. Комбінований ключ

ПАКУВАЛЬНИЙ СПИСОК (РИС. А1) ЗБИРАННЯ


ЗБИРАННЯ/РОЗБИРАННЯ ШИНИ ТА ЛАНЦЮГА

⚠ ПОПЕРЕДЖЕННЯ. Завжди відключайте шнур живлення і надягайте захисні рукавички перед збиранням або обслуговуванням виробу.

⚠ ПОПЕРЕДЖЕННЯ. Прочитайте всі попередження безпеки, інструкції, ілюстрації та характеристики, надані з цим електроінструментом. Недотримання наведених нижче вказівок може спричинити ураження електричним струмом, пожежу та/або серйозні травми.

UK

Зберігайте всі попередження та інструкції для використання у майбутньому.

1. Переконайтеся , що ручка гальма віддачі встановлена в положення
2. Відкрутіть **гайку шини (A-17)** проти годинникової стрілки, щоб зняти **бічну кришку в зборі (A-18)**.
3. Розкладіть пильний ланцюг по колу на рівну поверхню і вирівняйте будь-які перекручування. (Рис. B1)
4. Установіть **приводні ланки (B-1)** в паз **(B-2)** напрямної шини та з'єднайте ланцюг колом ззаду напрямної шини. (Рис. B2)
5. Тримайте ланцюг у положенні на напрямній шині та розташуйте петлю навколо **зірочки ланцюга приводної головки (B-3)** та перевірте такі елементи (рис. B3):
 - a) Ланки привода ланцюга вставлені на зубці **зірочки ланцюга (B-3)**.
 - b) **Натяжний гвинт (B-4)** і **напрямний болт (B-5)** перебувають у прорізі напрямної шини. **Натяжний штифт (B-6)** входить в отвір напрямної шини.

B-1	Приводні ланки	B-5	Напрямний болт
B-2	Паз	B-6	Натяжний штифт
B-3	Зірочка ланцюга	B-7	Напрямні стрижні
B-4	Гвинт натягу	B-8	Отвори

UK

ПРИМІТКА. Якщо необхідно замінити напрямну шину, змініть бічну кришку в зборі та встановіть її з новою напрямною шиною, як показано на рис. С.

ЕКСПЛУАТАЦІЯ

ЗАСТОСУВАННЯ

- Ця ланцюгова пила розроблена спеціально для обрізання дерев і догляду за ними.



Цією пилою повинні користуватися тільки особи, які пройшли спеціальну підготовку з догляду за деревами.

ПРИМІТКА. Рекомендація про те, що досвідчений користувач повинен принаймні попрактикуватися в розпилюванні колод на козлах або платформі.

НАТЯГ ПИЛЬНОГО ЛАНЦЮГА

▲ ПОПЕРЕДЖЕННЯ. Ніколи не торкайтеся ланцюга й не регулюйте його, коли мотор працює. Ланцюг пили дуже гострий, завжди надягайте захисні рукавички під час обслуговування ланцюга.

Пильний ланцюг розширюється або стискається під час нормальної роботи пили. У результаті змінюється натяг ланцюга. Регулярно перевіряйте натяг ланцюга під час роботи та за необхідності відрегулюйте.

1. Вимкніть бензопилу, увімкніть гальмо ланцюга та від'єднайте шнур.
2. Послабте гайку шини, щоб напрямна шина могла вільно рухатися для майбутнього регулювання.
3. Утримуючи носок шини вгору, відрегулюйте натяжний гвинт, доки не будуть виконані такі вимоги:
 - a) Провисання ланцюга в центрі шини становить близько: 1–2 мм (рис. D).
 - b) Вимкніть гальмо ланцюга і переконайтеся, що ланцюг можна протягнути по шині двома пальцями.

ПРИМІТКА. Виконайте цей крок обережно, щоб уникнути травм. Оскільки цей мотор постійного струму містить магнітний матеріал, порівняно зі звичайною бензопилою, коли ви запускаєте пильний ланцюг двома пальцями, ви відчуваєте певний опір. Це не так гладко, як з бензопилою.

4. Підніміть носок шини вгору та затягніть гайку шини.

ПРИМІТКА. Якщо провисання ланцюга в центрі шини не становить 1–2 мм, відрегулюйте натяг ланцюга.

ЗАПОВНЕННЯ БАЧКА ДЛЯ МАСТИЛА

1. Від'єднайте кабель живлення від ланцюгової пили.
2. Покладіть ланцюгову пилу на бік на тверду плоску поверхню так, щоб кришка бачка для мастила була звернена вгору. Відкрийте кришку бачка для мастила. Якщо вона занадто туга, використовуйте шліцеву головку комбінованого ключа (входить у комплект), щоб послабити її (рис. E).
3. Обережно залийте мастило в бачок. Заповніть до нижньої частини заливної горловини. Протріть надлишок мастила і закрийте.

ПРИМІТКА.

- Ланцюгова пила не наповнена мастилом у момент покупки. Перед використанням необхідно заповнити бачок мастилом. Ланцюг автоматично змащується мастилом для ланцюга під час роботи.
- Воно спеціально розроблене, щоб забезпечити низьке тертя і швидше різання.
- Ніколи не використовуйте мастило або інші мастильні матеріали, не призначені спеціально для використання на шині та ланцюзі. Це може призвести до заміщення масляної системи, що може спричинити передчасний знос шини і ланцюга.

РЕГУЛЮВАННЯ ПОТОКУ МАСТИЛА (рис. F)

- Ця пила оснащена гвинтом регулювання потоку мастила (F-1), розташованим у нижній частині інструмента, він використовується для регулювання потоку мастила для змащення ланцюга, шини і ріжучої системи. Збільшення або зменшення потоку мастила в напрямку, зазначеному стрілками на корпусі.

СВІТЛОДІЮДНИЙ ІНДИКАТОР НА ЛАНЦЮГОВІЙ ПИЛІ

Ланцюгова пила оснащена 2 індикаторами, які вказують стан мастила та рівень заряду акумулятора(-ів).

Світлодіодний індикатор		Значення	Дія
Індикатор низького рівня мастила (A-8)	Блимає червоним	Брак мастила	Наповніть бачок для мастила
	Вимкнений	Є мастило	/
Індикатор заряду акумулятора (A-7)	Світлиться зеленим	Акумулятор заряджено	/
	Блимає зеленим	Акумуляторна батарея майже розряджена, і її потрібно негайно зарядити.	Зарядіть акумулятор

ПРИКРІПЛЕННЯ ФУТЛЯРА АКУМУЛЯТОРА ДО СТРАХУВАЛЬНИХ РЕМЕНІВ

Ця ланцюгова пила поставляється з футляром для акумулятора, він використовується для перенесення акумуляторної батареї і дає змогу прикріпити її до страхувальних ременів (не в комплекті).

ПРИМІТКА. Надійно закріпіть футляр акумулятора на страхувальному реміні перед тим, як надягнути його.

1. Знайдіть найкраще місце для підвішування футляра для акумулятора на страхувальному реміні, повісьте футляр для акумулятора на страхувальному реміні за допомогою **гачка для ремня (G-1)**. (Рис. G1)
2. Обгорніть ремінь навколо страхувального ремня, щоб зафіксувати футляр для акумулятора на місці (рис. G2 і G3).
3. Прикріпіть два **кільця (G-2)** страхувального ремня до страхувальної прив'язі за допомогою двох карабінів (не входять у комплект), як показано на рис. G4.

G-1	Гачок для ремня	G-2	Кільця
-----	-----------------	-----	--------

ПРИМІТКА.

- Під час підйому на дерево прикріпіть кільця 1 і 2 страхувального ремня до страхувальної прив'язі за допомогою карабінів (не входять у комплект) (рис. G5)
- Коли інструмент використовується, від'єднайте кільце 2 від страхувального ремня, візьміться за пилку двома руками, щоб виконати різання (рис. G6).

КРІПЛЕННЯ ПИЛИ ДО ФУТЛЯРА ДЛЯ АКУМУЛЯТОРА

Прикріпіть **гачок пили (H-2)** запобіжної стропи до **вушка (H-1)**. (Рис. H)

H-1	вушко	H-2	гачок пили
-----	-------	-----	------------

УСТАНОВЛЕННЯ/ВИЙМАННЯ АКУМУЛЯТОРНОЇ БАТАРЕЇ

ПРИМІТКА. Повністю зарядіть акумулятор перед першим використанням.

Установлення (рис. I1)

Вирівняйте ребра акумуляторної батареї з отворами для кріплення, а потім засуньте акумуляторну батарею у футляр для акумулятора, доки вона не зафіксується на своєму місці.


Зняття (рис. I2)

Натисніть кнопку звільнення акумулятора та витягніть акумуляторну батарею.

UK

ЗАПУСК/ЗУПИНКА ЛАНЦЮГОВОЇ ПИЛИ

Запуск


1. Сумістіть мітки «▲» на **електричній вилці (J-2)** та **роз'ємі живлення (J-1)** ланцюгової пили, потім вставте вилку в ланцюгову пилу, доки **ЗЕЛЕНИЙ** ущільнювач на вилці **ПОВНІСТЮ** не зникне в роз'ємі (рис. J1).
2. Установіть перемикач «ON/OFF» у положення «**ON**» (рис. J2).
3. Потягніть ручку гальма віддачі в напрямку основної рукоятки в  робоче положення.
4. Перемістіть **запірний язичок (J-3)** вперед, потім натисніть **пусковий перемикач зі змінною швидкістю (J-4)**. Що сильніше ви натискаєте на пусковий перемикач зі змінною швидкістю, то вище швидкість обертання пильного ланцюга (рис. J3).

J-1	Електричний роз'єм	J-3	Запірний язичок
J-2	Електрична вилка	J-4	Пусковий перемикач зі змінною швидкістю

Зупинка

1. Відпустіть пусковий перемикач зі змінною швидкістю, щоб зупинити ланцюгову пилу.

ПРИМІТКА. Пильний ланцюг буде продовжувати обертатися протягом короткого часу після відпускання пускового перемикача зі змінною швидкістю. Будьте обережні, щоб уникнути контакту після відпускання пускового перемикача зі змінною швидкістю, а також коли кладете ланцюгову пилу.

2. Перемістіть ручку гальма віддачі вперед у положення гальмування. «».
3. Установіть перемикач «ON/OFF» у положення «**OFF**»

▲ ПОПЕРЕДЖЕННЯ. Завжди від'єднуйте акумуляторну батарею від ланцюгової пили під час перерв у роботі та після закінчення роботи.

ПІДГОТОВКА ДО ОБРІЗАННЯ

Правильне тримання ручок (рис. К)

- Носіть нековзані рукавички для максимального зчеплення і захисту.
- Завжди тримайте передню ручку лівою рукою, а основну ручку – правою.
- Пальці мають охоплювати ручку, великий палець має бути під передньою рукою.

▲ ПОПЕРЕДЖЕННЯ. Ніколи не беріться лівою рукою

за ручку (не перехресуйте руки) і не приймайте положення, при якому ваше тіло або рука перетинало б лінію ланцюга.

▲ ПОПЕРЕДЖЕННЯ. Не натискайте на пусковий перемикач лівою рукою і тримайтеся правою рукою за передню ручку. У жодному разі не допускайте, щоб будь-яка частина вашого тіла перебувала на лінії ланцюга під час роботи з ланцюговою пилою (рис. L).

ПЕРЕВІРКА ЗМІЩЕННЯ ЛАНЦЮГА (рис. M)

ПРИМІТКА. Переконайтеся, що мастильний бачок ланцюгової пили заповнений потрібним об'ємом мастила для ланцюга.

1. Тримайте напрямну шину над світлою поверхнею.
2. Увімкніть пилу. Через 1 хвилину ви побачите чітку лінію мастила на світлій поверхні, якщо змащення ланцюга працює правильно.
3. Якщо мастила все ще не видно на світлій поверхні, зверніться до розділу «РЕГУЛЮВАННЯ ПОТОКУ ОЛІЇ», щоб відрегулювати.

РОБОТА НА ДЕРЕВІ

▲ ПОПЕРЕДЖЕННЯ: під час роботи або лазіння рекомендується використовувати додаткову опору, таку як стремено для ніг, регульований шнурок, щоб запобігти розгойдуванню та щоб не порізатися.

Перед використанням перевірте так:

- Перевірте сліди зносу на **зірочці ланцюга (N-1)**. Якщо сліди зносу глибше 0,5 мм: зверніться до дилера EGO для заміни зірочки.
- Також перевірте гальмівну систему. Якщо сліди зносу на **гальмівній накладці (N-2)** нерівні, зверніться до дилера EGO для заміни гальмівної накладки. (Рис. N)

N-1	Зірочка ланцюга	N-2	Гальмівна накладка
-----	-----------------	-----	--------------------

- Перевірте напрямну шину, див. відповідний розділ: **ДОГЛЯД ЗА НАПРЯМНОЮ ШИНОЮ**
- Перевірте пильний ланцюг, див. відповідний розділ: **ОБСЛУГОВУВАННЯ ЛАНЦЮГА**
- Перевірка гальма ланцюга, див. відповідний розділ: **ЗАПОБІЖНІ ПРИСТРОЇ, ЩО ЗАХИЩАЮТЬ ВІД ВІДДАЧІ, УСТАНОВЛЕНІ НА ЦІЙ**

ЛАНЦЮГОВІЙ ПИЛІ

- Перевірте елементи керування, див. відповідний розділ: **ЗАПУСК/ЗУПИНКА ЛАНЦЮГОВОЇ ПИЛИ**
- Перевірте змащення ланцюга, див. відповідний розділ: **ПЕРЕВІРКА ЗМІЩЕННЯ ЛАНЦЮГА**

ОБСЛУГОВУВАННЯ

ЧИЩЕННЯ

- Після кожного використання очистьте сміття з ланцюга та напрямної шини м'якою щіткою. Протріть поверхню ланцюгової пили чистою тканиною, змоченою м'яким розчином мила.
- Для глибокого очищення зніміть бічну кришку в зборі, зніміть напрямну шину та пильний ланцюг, а потім використовуйте м'яку щітку, щоб ретельно видалити сміття з напрямної шини, пильного ланцюга і ведучої зірочки на приводний головці ланцюгової пили.
- Завжди вичищайте деревну стружку, пил і бруд із паза напрямної шини під час заміни пильного ланцюга.

ВИДАЛЕННЯ ПИЛУ

1. Від'єднайте кабель живлення, дайте ланцюговій пилі охолонути та закрутіть кришку масляного бака.
2. Увімкніть гальмо пили
3. Використовуйте комбінований ключ (входить у комплект), щоб послабити гвинт **кришки пилловловлювача (O-1)** і відкрити її (рис. O1).
4. Видаліть тирсу і стружку, що зібралася в охолоджувальному ребрі, використовуючи стиснене сухе повітря, продіть його через вхідний **отвір для повітря на протилежній стороні (O-2)**. (Рис. O2).

O-1	Кришка для видалення пилу	O-2	Отвір для входу повітря
-----	---------------------------	-----	-------------------------

ДОГЛЯД ЗА НАПРЯМНОЮ ШИНОЮ

Коли на напрямній шині з'являються ознаки зносу, зніміть її з приводної головки пили і переверніть її для повторного розбирання та збирання (рис. P1). У цьому випадку знос буде розподілено для максимального строку служби шини.

Слід очищати шину (включно з **напрямними шини (P-1)** і **отвір для змащування (P-2)**) кожен день, коли пила використовується, а також потрібно перевіряти її на знос і пошкодження (рис. P2). Утворення нальоту або задирок на рейках шини є нормальним процесом її зносу. Такі дефекти слід згладжувати напилком, щойно вони з'являться. Шину з будь-якими з наведених нижче дефектів слід замінити.

Знос всередині рейок шини, що дає ланцюгу змогу лягати на бік.

- Зігнута напрямна шина
- Тріснуті або зламані рейки.
- Рейки, що розійшлися.

Напрямна шина має зірочку на кінці. Зірочку потрібно змащувати щотижня за допомогою масляного шприца, щоб продовжити термін служби напрямної шини (рис. P3 та P4).

Поверніть **носову зірочку (P-3)**, перекачуючи **напівпрозоре жовте, напівпрозоре червоне або напівпрозоре мастило в мастильний отвір (P-4)**, доки вся зірочка не отримас нове мастило. Не заштовхуйте бруд в отвір.

P-1	Напрямні шини	P-3	Зірочка
P-2	Змащувальний отвір	P-4	Змащувальний отвір

ОБСЛУГОВУВАННЯ ЛАНЦЮГА

Використовуйте з цією пилою ланцюги з низькою віддачею. Цей швидкий різальний ланцюг забезпечить зменшення віддачі за умови правильного обслуговування.

Правильно заточений пильний ланцюг розрізає дерево без зусиль, навіть у разі дуже невеликого тиску. Ніколи не використовуйте тупий або пошкоджений пильний ланцюг. Тупий різальний ланцюг приводить до збільшення фізичного навантаження, збільшення вібраційного навантаження, незадовільного результату різання та підвищеного зносу.

Для плавного і швидкого різання ланцюг необхідно обслуговувати належним чином. Ланцюг вимагає загострення, коли тирса дрібна і порошокодібна, ланцюг необхідно силою проводити по дереву під час різання або ланцюг різке з однієї сторони. Під час обслуговування ланцюга необхідно враховувати таке:

ПОПЕРЕДЖЕННЯ: рекомендується проводити заточування та обслуговування **пильного ланцюга** в авторизованих сервісних центрах.

ТРАНСПОРТУВАННЯ ТА ЗБЕРІГАННЯ

- Не зберігайте та не переміщуйте ланцюгову пилу, коли вона працює. Перед зберіганням або транспортуванням завжди від'єднайте шнур живлення.
- Завжди накладайте захисну оболонку на напрямну шину та ланцюг, перш ніж зберігати або транспортувати ланцюгову пилу. Будьте обережні, щоб уникати гострих зубців ланцюга.
- Перед зберіганням слід ретельно очистити ланцюгову пилу. Зберігайте ланцюгову пилу в місці, недоступному для дітей.
- Тримайте подалі корозійні агенти, такі як садові хімікати та солі проти ожеледі.

Захист довкілля



WEEE (відходи електричного та електронного устаткування) Не викидайте електричне обладнання, акумулятор і зарядний пристрій у побутові відходи! Віднесіть цей виріб авторизованому переробнику й надайте його для роздільного збирання. Електроінструменти необхідно повернути в підприємство, що займається екологічно безпечною переробкою.

UK

УСУНЕННЯ НЕСПРАВНОСТЕЙ

НЕСПРАВНІСТЬ	ПРИЧИНА	ВИРІШЕННЯ
Мотор не запускається.	<ul style="list-style-type: none"> ■ Штекер футляра акумулятора не прикріплений до ланцюгової пили. ■ Немає електричного контакту між футляром акумулятора та акумулятором. ■ Запірний язичок не загнутий. ■ Перемикач «ON-OFF» перебуває в положенні «OFF». ■ Гальмо ланцюга задіяне. 	<ul style="list-style-type: none"> ■ Вставте штекер футляра акумулятора в ланцюгову пилу. ■ Від'єднайте акумулятор, перевірте контакти та знову встановіть акумулятор. ■ Перед запуском відкиньте фіксувальний язичок. ■ Установіть перемикач «ON-OFF» у положення «ON» ■ Потягніть ручку гальма віддачі назад у напрямку верхньої ручки в робоче положення.
Ланцюгова пила зупиняється під час роботи.	<ul style="list-style-type: none"> ■ Акумулятор або ланцюгова пила занадто гарячі. ■ Ланцюгова пила перевантажена. ■ Занадто багато шматків дерева блокують вентиляційний канал. ■ Акумуляторна батарея розряджена. 	<ul style="list-style-type: none"> ■ Остудіть акумулятор або ланцюгову пилу ■ Зменште навантаження. ■ Очистьте пил, див. розділ «ВИДАЛЕННЯ ПИЛУ». ■ Зарядіть акумуляторну батарею
Гальмо ланцюга не задіюється	<ul style="list-style-type: none"> ■ Сміття заважає повному руху ручки гальма віддачі ланцюга ■ Можлива несправність гальма ланцюга 	<ul style="list-style-type: none"> ■ Приберіть сміття з механізму гальма зовнішнього ланцюга ■ Зверніться до клієнтської служби EGO для ремонту.
Під час різання змащення не відбувається.	<ul style="list-style-type: none"> ■ Бачок мастила для ланцюга пустий. ■ Вихід мастила з пильної шини заблокований ■ Затвердіння масла при низькій температурі 	<ul style="list-style-type: none"> ■ Додавання мастила для шини та ланцюга. ■ Приберіть пил з отвору для випуску мастила. ■ Замініть на відповідне мастило (яке підходить для низьких температур)
Індикатор низького рівня мастила блимає червоним кольором або світиться, коли мастильний бачок заповнений мастилом.	<ul style="list-style-type: none"> ■ Особливий кут використання інструмента, під яким мастило в бачку не потрапляє в мастилопровід. ■ Не рекомендовані категорія та колір мастила. ■ Індикатор низького рівня мастила все ще блимає червоним. 	<ul style="list-style-type: none"> ■ Покладіть ланцюгову пилу рівно та спробуйте знову. ■ Використовуйте рекомендоване напівпрозоре жовте, напівпрозоре червоне або напівпрозоре масло. ■ Зверніться до клієнтської служби EGO для ремонту
Індикатор низького рівня мастила не працює, коли в мастильному бачку бракує мастила.	<ul style="list-style-type: none"> ■ Категорія і колір мастила не можуть бути визначені. ■ В мастильному бачку або мастилопроводі залишилася невелика кількість мастила. ■ Індикатор низького рівня мастила все ще не працює з вищезгаданих причин. 	<ul style="list-style-type: none"> ■ Використовуйте рекомендоване напівпрозоре жовте, напівпрозоре червоне або напівпрозоре масло. ■ Трохи попрацюйте ланцюговою пилою, а потім знову перевірте індикатор низького рівня мастила. ■ Зверніться до клієнтської служби EGO для ремонту.

UK

ГАРАНТІЯ

ПРАВИЛА ГАРАНТІЇ EGO

Відвідайте веб-сайт egopowerplus.com для отримання повного тексту умов гарантійної політики EGO.

ПРОЧЕТЕТЕ ВСИЧКИ ИНСТРУКЦИИ!



ПРОЧЕТЕТЕ РЪКОВОДСТВОТО НА ОПЕРАТОРА

⚠ Остатъчен риск! Хора с електронни устройства, като пейсмейкър трябва да се консултират с лекуващия(те) си лекар(и) преди употреба на този продукт. Работата с електрическо оборудване в непосредствена близост до сърдечен пейсмейкър може да предизвика смущение или неизправност на пейсмейкъра.

СИМВОЛ ЗА БЕЗОПАСНОСТ

Целта на символите за безопасност е да привличат вниманието към възможни опасности. Символите за безопасност и обясненията към тях заслужават вашето повишено внимание и осъзнаване. Символите за безопасност сами по себе си не елиминират каквато и да е опасност. Инструкциите и предупрежденията, които предоставят не са заместители за подходящите мерки за предотвратяване на инцидент.

⚠ ПРЕДУПРЕЖДЕНИЕ: Уверете се, че сте прочели и осъзнали всички инструкции за безопасност в това Ръководство на оператора, включително всички известяващи символи за безопасност, като **“ОПАСНОСТ,”** **“ПРЕДУПРЕЖДЕНИЕ”** и **“ВНИМАНИЕ”** преди да използвате този инструмент. Неспазването на всички инструкции изброени долу може да доведе до електрически удар, пожар и/или сериозно нараняване.

ЗНАЧЕНИЕ НА СИМВОЛИТЕ

Тази страница изобразява и описва символите за безопасност, които може да се появят по този продукт. Прочетете, осъзнайте и следвайте всички инструкции по машината преди предприемане на сглобяване и работа.

СИМВОЛИ ЗА БЕЗОПАСНОСТ



Сигнал за безопасност



Носете дебели работни ръкавици направени от устойчив материал



Носете нехлъзгащи се предпазни обувки



Внимавайте за откат - трябва да бъде избягван контакт на върха на водещата шина с някой обект



Откат на върха на водещата шина - контакт на върха може да причини внезапно движение нагоре и назад на водещата шина, което може да причини сериозно нараняване.



Отпадъчните електрически продукти не трябва да бъдат изхвърляни заедно с домакинския отпадък. Отнесете го до утъпномощено място за рециклиране.



V Волт



Постоянен ток



За намаляване на опасността от нараняване, потребителят трябва да прочете и разбере ръководството на оператора преди използването на този продукт.



Носете плътно прилепнало облекло. Не носете шалове, огърлици или бижута



Носете плътно поставени предпазни очила, антифони или тапи за уши и предпазна каска с ремък за брадичката



Дръжте с две ръце - винаги използвайте две ръце, когато работите с верижния трион.



Информация за водещата шина



Не излагайте на дъжд.



Шум



CE

BG

СПЕЦИФИКАЦИИ

Напрежение	56 V	
Препоръчителна работна температура	-15°C-40°C	
Препоръчителна температура на съхранение	-40°C-70°C	
Оптимална температура на зареждане	5°C-40°C	
Дължина на рязане	300mm	
Скорост на веригата	20m/s	
Стълка на веригата	3/8" (9,5mm)	
Измервателен уред за веригата	1,1 mm	
Вид верига за трион	AC1200 (препоръчителна) AC1400 (съвместима) AC1600 (съвместима)	
Вид на водещата шина	AG1200 (препоръчителна) AG1400 (съвместима) AG1600 (съвместима)	
Тегло (без акумулаторна батерия, капак на веригата)	3,5 kg	
Измерено ниво на сила на звука L_{WA}	98,8 dB(A) K=3 dB(A)	
Ниво на звуково налягане в работна позиция L_{PA}	88,1 dB(A) K=3 dB(A)	
Гарантирано ниво на сила на звука L_{WA} (съгласно 2000/14/ЕС)	102dB(A)	
Вибрации при n	Предна ръкохватка	1,73 m/s ² K= 1,5 m/s
	Главна ръкохватка	2,21 m/s ² K= 1,5 m/s

- Декларираният общ размер на вибрации е измерен в съответствие със стандартния метод за тест и може да бъде използван за сравнение между два инструмента;
- Декларираният общ размер на вибрации може също така да бъде използван за предварителна оценка на влиянието.

БЕЛЕЖКА: Вибрационните емисии по време на действителната употреба на електрическия инструмент може да се различава от декларираната стойност. С цел да се защити оператора, потребителят трябва да носи ръкавици и антифони в действителни условия на работа.

ОПИСАНИЕ

ЗАПОЗНАЙТЕ СЕ С ВАШАЯ ВЕРИЖЕН ТРИОН (Фиг. А1)

1. Верига за трион
2. Спирачка за откат на веригата
3. Заклучващо езиче
4. Главна ръкохватка
5. Спусък за променлива скорост
6. Ухо
7. Индикатор за акумулаторната батерия
8. Индикатор за ниско ниво на маслото
9. Предна ръкохватка
10. Капачка за маслен резервоар
11. Водеща шина
12. Отвор за смазване
13. Верижно зъбно колело
14. Винт за обтягане
15. Предпазен превключвател за ВКЛ.-ИЗКЛ.
16. Водещ болт
17. Гайка на шината
18. Възел на страничния капак
19. Капак на регулиращия винт за масления поток
20. Капак за отстраняване на прах
21. Механизъм за изваждане
22. Електрически контакти
23. Бутон за освобождаване на батерията
24. Кука за ремък
25. Катарам
26. Лента
27. Усилено въже
28. Пръстен 1
29. Кука на триона
30. Щепсел
31. Пръстен 2
32. Капак на веригата
33. Комбиниран гаечен ключ

ОПАКОВЪЧЕН ЛИСТ (ФИГ. А1)


МОНТАЖ

МОНТАЖ/ДЕМОНТАЖ НА ШИНАТА И ВЕРИГАТА

▲ ПРЕДУПРЕЖДЕНИЕ: Винаги изваждайте щепсела и носете предпазни ръкавици, преди да сглобявате или извършвате поддръжка на продукта.

▲ ПРЕДУПРЕЖДЕНИЕ: Прочетете всички предупреждения за безопасност, инструкции, илюстрации и спецификации предоставени с този електрически инструмент. Неспазването на всички инструкции изброени долу може да доведе до токов удар, пожар и/или сериозно нараняване.

Запазете всички предупреждения и инструкции за бъдеща справка.

1. Уверете се, че спирачката за откат на веригата е поставена в позиция .
2. Развийте **гайката на шината (A-17)** обратно на часовниковата стрелка и снемете **възела на страничния капак (A-18)**.
3. Поставете веригата за трион в затворен кръг върху равна повърхност и изправете всички прегъвания. (Фиг. B1)
4. Поставете **задвижващите звена (B-1)** в **жлеба (B-2)** на водещата шина и направете ухо на веригата в задната част на водещата шина. (Фиг. B2)
5. Дръжте веригата на позиция върху водещата шина и поставете ухото около **верижното зъбно колело (B-3)** на захранващата глава и проверете следното (Фиг. B3):
 - а) Задвижващите звена на веригата са легнали в зъбите на **верижното зъбно колело (B-3)**.
 - б) **Винтът за обтягане (B-4)** и **водещият болт (B-5)** се намират в прореза на водещата шина. **Щифтът за обтягане (B-6)** е зацепен в отвора на водещата шина.

БЕЛЕЖКА: Уверете се, посоката на стрелките на зъбите на верижния трион винаги е насочена напред (Фиг. B3).

6. Вижте раздела „ОБТЯГАНЕ НА ВЕРИГАТА НА ТРИОНА“ за да се уверите, че веригата е правилно монтирана без огъване.
7. Подравнете двата **водещи щифта (B-7)** на възела на страничния капак със съответните **отвори (B-8)** в триона, след това поставете възела на страничния капак. (Фиг. B4)
8. Затегнете гайката на шината.

B-1	Задвижващи звена	B-5	Водещ болт
B-2	Жлеб	B-6	Щифт за обтягане
B-3	Верижно зъбно колело	B-7	Водещи щифтове
B-4	Винт за обтягане	B-8	Отвори

БЕЛЕЖКА: Ако водещата шина трябва да бъде заменена, демонтирайте възела на страничния капак и го монтирайте отново с новата водеща шина, както е показано на Фиг. C.

ЕКСПЛОАТАЦИЯ

ПРИЛОЖЕНИЕ

- Този верижен трион е проектиран специално за санитарна сеч и поддръжка.



Този трион трябва да бъде използван само от лица, които са специално обучени в работата по поддръжане на гори.

БЕЛЕЖКА: Препоръки, които начинаещият потребител трябва като минимум да изпълнява при рязане на дървета върху магаре или люлка.

ОБТЯГАНЕ НА ВЕРИЖНИЯ ТРИОН

⚠ ПРЕДУПРЕЖДЕНИЕ: Никога не докосвайте или регулирайте веригата, докато моторът работи. Веригата на триона е много остра, винаги носете предпазни ръкавици, когато извършвате поддръжка на веригата.

Веригата на триона се разтяга или свива по време на нормално рязане. Обтягането на веригата в резултат на това се променя. Проверявайте обтягането на веригата периодично по време на работа и го регулирайте отново, ако е необходимо.

1. Изключете верижния трион, задействайте спирачката на веригата и извадете захранващия щепсел.
2. Разхлабете гайката на шината, така че водещата шина да може да се движи свободно за бъдеща настройка.
3. Дръжте носа на шината нагоре и регулирайте винта за обтягане, докато бъдат изпълнени следните точки:
 - а) Провисването на веригата в средата на шината е около: 1 - 2 mm (Фиг. D).
 - б) Освободете спирачката на веригата и се уверете, че веригата може да бъде издърпана по шината с два пръста.

БЕЛЕЖКА: Внимателно изпълнете тази стъпка, за да избегнете наранявания на хора. Поради това, че този постояннотоков двигател съдържа магнитен материал, в сравнение с обикновения бензинов верижен трион, когато движите веригата с два пръста, ще усетите определено съпротивление. Тя не е така плавна като при бензинов верижен трион.

4. Задръжте носа на шината нагоре и затегнете гайката на шината.

БЕЛЕЖКА: Ако провисването на веригата в средата на шината не е 1 - 2 mm, регулирайте отново обтягането на веригата.

НАПЪЛВАНЕ НА МАСЛЕНИЯ РЕЗЕРВОАР

1. Извадете щелсела от верижния трион.
2. Поставете верижния трион странично върху твърда, равна повърхност, така че капачката на масления резервоар да е насочена нагоре. Отворете капачката на масления резервоар. Ако тя е твърде затегната, използвайте главата с прорез на комбинирания гаечен ключ (предоставен) и я разхлабете (Фиг. Е)
3. Внимателно напълнете масло в масления резервоар. Напълнете до дъното на гърловината за пълнене. Избършете всяко излишно масло и я затворете.

БЕЛЕЖКА:

- Верижният трион не е напълнен с масло по времето на покупката. Изключително важно е да напълните резервоара с масло преди употреба. Веригата се смазва автоматично с верижно масло по време на работа.
- То е специално проектирано за да предостави ниско триене и по-бързо рязане.
- Никога не използвайте масло или други смазочни средства, които не са специално проектирани за употреба на шината и веригата. Това може да доведе до запушване на маслената система, което може да причини преждевременно износване на шината и веригата.

РЕГУЛИРАНЕ НА МАСЛЕНИЯ ПОТОК (Фиг. F)

- Този трион е оборудван с **винт за регулиране на масления поток (F-1)**, намиращ се на дъното на инструмента, който се използва за регулиране на масления поток за смазване на веригата, шината и системата за рязане. Увеличаване или намаляване на масления поток в посоката на стрелките маркирани върху корпуса.

СВЕТОДИОДЕН ИНДИКАТОР НА ВЕРИЖНИЯ ТРИОН

Верижният трион е оборудвана с 2 светодиодни индикатора за показване на състоянието на заряда в акумулаторната(ите) батерия(и).

BG

Светодиоден индикатор	Значение	Действие	
Индикатор за ниско ниво на маслото (A-8)	Мигащо червено	Недостиг на масло	Напълнете масления резервоар
	Изкл.	Има масло	/
Индикатор за акумулаторната батерия (A-7)	Светещо зелено	Акумулаторната батерия е заредена	/
	Мигащо зелено	Акумулаторната батерия близо до изтощаване и трябва да се зареди незабавно.	Заредете акумулаторната батерия

ЗАКРЕПВАНЕ НА НОСАЧА НА БАТЕРИЯТА КЪМ КОЛАН ЗА КАТЕРЕНЕ

Верижният трион се доставя с носач на батерията, който се използва за пренасяне на акумулаторната батерия и позволява закрепването му към колан за катерене (не е доставен).

БЕЛЕЖКА: Закрепете носача на батерията стабилно към колана за катерене, преди да поставите колана за катерене.

1. Потърсете предпочитаната точка за окачване на този носач за батерия на колана за катерене и окачете носача за батерия върху колана за катерене с **куката за ремък (G-1)**. (Фиг. G1)
2. Увийте ремъка около колана за катерене, за да фиксирате носача на батерията на място (Фиг. G2 и G3).
3. Закрепете два **пръстена (G-2)** на предпазното усилено въже към колана за катерене като използвате две карабинни куки (не са предоставени), както е показано на Фиг. G4.

G-1	Кука за ремък	G-2	Пръстени
-----	---------------	-----	----------

БЕЛЕЖКА:

- Когато се катерите по дървото, закрепете пръстена 1 и 2 на предпазното усилено въже към колана за катерене като използвате карабинни куки (не са предоставени) (Фиг. G5)
- Когато използвате инструмента, откачете пръстен 2 от колана за катерене, като държите триона с две ръце, за да извършвате рязане (Фиг. G6).

ЗАКРЕПВАНЕ НА ТРИОНА КЪМ НОСАЧА НА БАТЕРИЯТА

Закрепете **куката на триона (H-2)** на предпазното усилено въже към **ухото (H-1)**. (Фиг. H)

H-1	Ухо	H-2	Кука на триона
-----	-----	-----	----------------

МОНТИРАНЕ/ИЗВАЖДАНЕ НА АКУМУЛАТОРНАТА БАТЕРИЯ

БЕЛЕЖКА: Заредете напълно акумулаторната батерия преди нейната първа употреба.

За да монтирате (Фиг. I1)

Подравнете повдигнатите ребра на акумулаторната батерия с монтажните прорези, след което приплъзнете акумулаторната батерия в носача на батерията, докато се фиксира на място.

За да извадите (Фиг. I2)

Натиснете бутона за освобождаване на батерията с палец и издърпайте акумулаторната батерия навън.

СТАРТИРАНЕ/СПИРАНЕ НА ВЕРИЖНИЯ ТРИОН

За да стартирате

- Подравнете маркировките „▲“ на **щепсела (J-2)** и **електрическия контакт (J-1)** на верижния трион, след което вкарайте щепсела във верижния трион, докато **ЗЕЛЕНОТО** уплътнение на щепсела **НАПЪЛНО** се скрие в контакта (Фиг. J1).
- Натиснете превключвателя за „ВКЛ./ИЗКЛ.“ в позиция **“ON”** (ВКЛ.) (Фиг. J2).
- Издърпайте спирачната ръкохватка за откат на веригата в посока към главната ръкохватка в позиция
- Преместете **заключващото езиче (J-3)** напред и след това натиснете **спусъка за променлива скорост (J-4)**. Колкото повече издърпвате спусъка за променлива скорост, толкова по-високи са оборотите на въртене на верижния трион (Фиг. J3).

J-1	Електрически контакт	J-3	Заключващо езиче
J-2	Щепсел	J-4	Спусък за променлива скорост

За да спрете

- Освободете спусъка за променлива скорост, за да спрете верижния трион.

БЕЛЕЖКА: Верижният трион ще продължи да се върти за кратко след освобождаване на спусъка за променлива скорост. Бъдете внимателни, за да избегнете контакт след освобождаване на спусъка за променлива скорост и когато оставяте верижния трион.

- Натиснете спирачката за откат на веригата напред към спирачна позиция
- Натиснете превключвателя за „ВКЛ./ИЗКЛ.“ в позиция **“OFF”** (ИЗКЛ.)

▲ ПРЕДУПРЕЖДЕНИЕ: Винаги изваждайте щепсела от верижния трион по време на работни прекъсвания и след завършване на работата.

ПОДГОТОВКА ЗА РЯЗАНЕ

Правилен захват на ръкохватките (фиг. K)

- Носете неплъзгащи се ръкавици за максимален захват и защита.
- Винаги хвачайте предната ръкохватка с лявата ръка и главната ръкохватка с дясната ръка.
- Пръстите трябва да обхващат ръкохватката, като палецът е обвит под предната ръкохватка.

▲ ПРЕДУПРЕЖДЕНИЕ: Никогa не използвайте захват за лява ръка (кръстосани ръце) или каквато и да е поза, която ще постави вашето тяло или ръка над линията на веригата.

▲ ПРЕДУПРЕЖДЕНИЕ: Не работете с превключвателния спусък с лявата си ръка и дръжте предната ръкохватка с дясната си ръка. Не позволявайте никога част от тялото ви да е в линията на веригата, когато работите с верижния трион (Фиг. L).

ПРОВЕРКА НА СМАЗВАНЕТО НА ВЕРИГАТА (Фиг. M)

БЕЛЕЖКА: Уверете се, че масленият резервоар на верижния трион е пълен с подходящия обем верижно масло.

- Дръжте водещата шина над светло оцветената повърхност.
- Включете триона. Ще видите ясна линия на маслото в светло оцветената повърхност след 1 минута, ако смазването на веригата функционира правилно.
- Ако верижното масло все още не се вижда в светло оцветената повърхност, вижте раздел „РЕГУЛИРАНЕ НА МАСЛЕНИЯ ПОТОК“, за да го регулирате.

РАБОТА В ДЪРВОТО

⚠ ПРЕДУПРЕЖДЕНИЕ: когато работите или се катерите, препоръчваме да използвате допълнителна опора като например стреме, регулируем колан, за да предотвратите люлеене или злополука при рязане.

Преди да го използвате, мола, проверете следните точки:

- Проверете маркировките за износване на **верижното зъбно колело (N-1)**. Ако маркировките за износване са по-дълбоки от 0,5 mm: свържете се със своя сервизен представител на EGO, за да замени верижното зъбно колело.
- Проверете също и спирачната система, ако маркировките на **спирачната накладка (N-2)** са неравномерни, свържете се със своя сервизен представител на EGO, за да замени спирачната накладка. (Фиг. N)

N-1	Верижно зъбно колело	N-2	Спирачна накладка
-----	----------------------	-----	-------------------

- За проверка на водещата шина вижте съответния раздел: **ПОДДРЪЖКА НА ВОДЕЩАТА ШИНА**
- За проверка на веригата на триона вижте съответния раздел: **ПОДДРЪЖКА НА ВЕРИГАТА**
- За тестване на верижната спирачка вижте съответния раздел: **УСТРОЙСТВА ЗА БЕЗОПАСНОСТ ПРИ ОТКАТ НА ТОЗИ**

ВЕРИЖЕН ТРИОН

- За проверка на средствата за управление вижте съответния раздел: **СТАРТИРАНЕ/СПИРАНЕ НА ВЕРИЖНИЯ ТРИОН**
- За проверка на смазването на веригата вижте съответния раздел: **ПРОВЕРКА НА СМАЗВАНЕТО НА ВЕРИГАТА**

ПОДДРЪЖКА

ПОЧИСТВАНЕ

- След всяка употреба почистете натрупванията от веригата и водещата шина с мека четка. Избършете повърхността на верижния трион с мека кърпа навлажнена с мек сапунен разтвор.
- За дълбоко почистване отстранете възела на страничния капак, снемете водещата шина и веригата на триона и след това използвайте века четка, за да отстраните цялостно натрупванията по водещата шина, веригата на триона и задвижващото зъбно колело на захранващата глава на верижния трион.

- Винаги почиствайте дървените стърготини, праха от рязане и мръсотията от жлеба на водещата шина, когато подменяте веригата на триона.

ОТСТРАНЕНЕ ПРАХА

1. Извадете щепсела, позволете на верижния трион да се охлади и затегнете капачката на масления резервоар.
2. Задействане на спирачката на триона
3. Използвайте комбинирания ключ (доставен), за да развиете винта на **капака за отстраняване на прах (O-1)**, за да го отворите (Фиг. O1).
4. Почистете праха от рязането и стърготините събрали се в охлаждащите ребра като използвате сух състен въздух, продухайте от срещуположната страна **входа за въздух (O-2)**. (Фиг. O2).

O-1	Капак за отстраняване на прах	O-2	Вход за въздух
-----	-------------------------------	-----	----------------

ПОДДРЪЖКА НА ВОДЕЩАТА ШИНА

Когато водещата шина покаже признаци на износване, демонтирайте я от захранващата глава на верижния трион и я обърнете за повторен монтаж (Фиг. P1), в който случай тя ще разпредели износването за максимален живот на шината.

Шината трябва да бъде почиствана (включително **релсите на шината (P-1) и отвора за смазване (P-2)**) при всеки ден в употреба и да бъде проверявана за износване и повреди (Фиг. P2). Изтъняване или изстъргване на релсите на шината е нормален процес на износване на шината. Такива дефекти, трябва да бъдат загладени с пила веднага след като се случат. Шина с някой от следните дефекти трябва да бъде подменена.

Износване от вътрешната страна на релсите на шината, което позволява на веригата да лежи на страни.

- Изкривена водеща шина.
- Напукани или счупени релси.
- Раздалечени релси.

Водещата шанга има зъбно колело на върха си. Верижното зъбно колело трябва да бъде ежедневно смазвано с гресорка за да се удължи живота на водещата шина (Фиг. P3 и P4). Завъртете **зъбното колело на носа (P-3)**, докато изпомпвате **полупрозрачната жълта, полупрозрачна червена или полупрозрачна грес в отвора за смазване (P-4)**, докато по цялото зъбно колело има нова грес. Не вкарвайте замърсявания в отвора.

P-1	Релси на шината	P-3	Верижно зъбно колело
P-2	Отвор за смазване	P-4	Отвор за смазване

ПОДДРЪЖКА НА ВЕРИГАТА

Използвайте единствено вериги със слаб откат за този трион. Тази верига за бързо рязане ще предостави намаляване на отката, когато е правилно поддържана.

Правилно заточена верига за трион, реже без усилие през дървото, дори с много малко усилие. Никога не използвайте затъпена или повредена верига за трион. Затъпените резци на веригата за трион водят до повишено физическо натоварване, увеличено излагане на вибрации, незадоволителни резултати от рязането и повишено износване.

За гладко и бързо рязане, веригата трябва да бъде правилно поддържана. Необходимо е заточване на веригата, когато дървените стърготини са малки и разпраснени, веригата трябва да бъде водена със сила през дървото по време на рязане или когато веригата реже от едната страна. По време на поддръжка на вашата верига имайте предвид следното:

- Неправилен ъгъл на подаване на страничната пластина, може да увеличи риска от сериозен откат.
- Клиренс на дълбочината на зъбите. Твърде ниско повишава потенциала за откат. Недостатъчно ниско намалява способността за рязане.
- Ако режещите зъби ударят твърд предмет, като пирон или камък или са били изтрети от калта или пясъка по дървото, дайте веригата за заточване на квалифициран сервизен техник.

БЕЛЕЖКА: препоръчва се заточването и поддръжката на **верижния трион** да се извършват от упълномощени сервизни центрове.

ТРАНСПОРТИРАНЕ И СЪХРАНЕНИЕ

- Не оставяйте или транспортирайте верижния трион, когато работи. Винаги изваждайте щепсела преди съхранение или транспортиране.
- Винаги поставяйте капака на водещата шина преди да съхранявате или транспортирате верижния трион. Бъдете внимателни за да избегнете острите зъби на веригата.
- Почистете изцяло верижния трион преди съхраняване. Съхранете верижния трион на закрито, на сухо място, което е заключено и/или недостъпно за деца.
- Пазете я от корозивни препарати като градински химикали и сол за обезледяване.

Опазване на околната среда



WEEE (Отпадъчно електрическо и електронно оборудване) Не изхвърляйте електрическо оборудване, използвана батерия или зарядно устройство в домакинския отпадък! Отнесете продукта до упълномощена фирма за рециклиране и го предоставете за разделно събиране. Електрическите инструменти трябва да бъдат връщани в съоръжения за рециклиране съвместими с околната среда.

ОТСТРАНЯВАНЕ НА ПРОБЛЕМИ

ПРОБЛЕМ	РЕШЕНИЕ ЗА ПРИЧИНАТА	РЕШЕНИЕ
Моторът не стартира.	<ul style="list-style-type: none"> ■ Щепселът на носача на батерията не е свързан към верижния трион. ■ Няма електрически контакт между носача на батерията и батерията. ■ Заклучващото езиче не е завъртяно нагоре. ■ Превключвателят “ON-OFF” (ВКЛ.-ИЗКЛ.) е в позиция “OFF” (ИЗКЛ.). ■ Спирачката за веригата е активирана. 	<ul style="list-style-type: none"> ■ Вкарайте щепсела на носача на батерията във верижния трион. ■ Извадете батерията, проверете контактите и поставете наново акумулаторната батерия. ■ Завъртете нагоре заключващото езиче преди стартиране. ■ Завъртете превключвателя “ON-OFF” (ВКЛ.-ИЗКЛ.) на “ON” (ВКЛ.). ■ Издърпайте спирачната ръкохватка за откат на веригата в посока назад към горната ръкохватка до работната позиция.
Верижният трион спира по време на работа.	<ul style="list-style-type: none"> ■ Акумулаторната батерия или верижният трион са твърде горещи. ■ Верижният трион е претоварен. ■ Твърде много дървени стърготини блокират вентилационния канал. ■ Акумулаторната батерия е изтощена. 	<ul style="list-style-type: none"> ■ Охладете акумулаторната батерия или верижния трион ■ Намалете натоварването. ■ Почистете праха като направите справка с раздел „ОТСТРАНЕТЕ ПРАХА“. ■ Заредете акумулаторната батерия
Спирачката за веригата не се активира.	<ul style="list-style-type: none"> ■ Отпадъците пречат на пълното движение на спирачната ръкохватка за откат на веригата ■ Възможна неизправност на спирачката на веригата. 	<ul style="list-style-type: none"> ■ Почистете отпадъците от външния механизъм на спирачката на веригата ■ Свържете се с обслужване на клиенти на EGO за ремонт.
Няма смазване с масло по време на рязане.	<ul style="list-style-type: none"> ■ Резервоарът за верижно масло е празен. ■ Масленият изход на верижния трион е блокиран ■ Втвърдяване на маслото при ниска температура 	<ul style="list-style-type: none"> ■ Напълнете смазка за шината и веригата. ■ Почистете праха в изходния отвор за маслото. ■ Сменете с подходящо смазочно масло (подходящо за ниски температури)
Индикаторът за ниско ниво на маслото мига в червен цвят или показва необичайна светлина, докато масленият резервоар е пълен с масло.	<ul style="list-style-type: none"> ■ Употреба на машината под определен ъгъл не позволява на маслото в масления резервоар да влезе в маслената тръба. ■ Категорията и цветът на маслото не са препоръчителни. ■ Индикаторът за ниско ниво на маслото още мига в червено. 	<ul style="list-style-type: none"> ■ Поставете на равна повърхност верижния трион и опитайте отново. ■ Използвайте препоръчителното полупрозрачно жълто, полупрозрачно червено или полупрозрачно масло ■ Свържете се с обслужване на клиенти на EGO за ремонт

ПРОБЛЕМ	РЕШЕНИЕ ЗА ПРИЧИНАТА	РЕШЕНИЕ
Индикаторът за ниско ниво на маслото не работи, докато в масления резервоар маслото е свършило.	<ul style="list-style-type: none"> ■ Категорията и цветът на маслото не могат да бъдат идентифицирани. ■ Все още има малко количество масло в масления резервоар или маслената тръба ■ Индикаторът за ниско ниво на маслото все още не работи поради горните причини. 	<ul style="list-style-type: none"> ■ Използвайте препоръчителното полупрозрачно жълто, полупрозрачно червено или полупрозрачно масло ■ Използвайте верижния трион за малко и след това погледнете отново индикатора за ниско ниво на маслото ■ Свържете се с обслужване на клиенти на EGO за ремонт.

ГАРАНЦИЯ

ГАРАНЦИОННА ПОЛИТИКА EGO

Моля, посетете уебсайта egopowerplus.com за пълните срокове и условия по гаранционната политика на EGO.

PROČITAJTE UPUTE U CIJELOSTI



PROČITAJTE PRIRUČNIK ZA RUKOVATELJE

⚠ Skrivene opasnosti! Osobe s elektroničkim uređajima poput srčanih elektrostimulatora prije uporabe ovog proizvoda trebaju se posavjetovati sa svojim liječnikom. Rad električne opreme u neposrednoj blizini srčanih elektrostimulatora može prouzročiti smetnju ili kvar srčanog elektrostimulatora.

SIMBOL O SIGURNOSTI

Svrha simbola o sigurnosti je skretanje pozornosti na moguće opasnosti. Simboli o sigurnosti i njihova objašnjenja zahtijevaju vašu potpunu pozornost i razumijevanje. Simboli upozorenja ne isključuju opasnost sami po sebi. Upute i upozorenja koja pružaju nisu zamjena za propisne mjere zaštite od nezgode.

⚠ UPOZORENJE: Prije korištenja ovog alata, s razumijevanjem pročitajte sve sigurnosne upute u ovom priručniku za rukovatelja, uključujući sve sigurnosne simbole kao što su „**OPASNOST**“, „**UPOZORENJE**“ i „**OPREZ**“. Zanemarivanje uputa navedenih u nastavku može rezultirati električnim udarom, požarom i/ili teškim tjelesnim ozljedama.

ZNAČENJE SIMBOLA

Na ovoj stranici slikovno su prikazani i objašnjeni simboli sigurnosti koji se mogu pojaviti na ovom proizvodu. Prije sastavljanja i rukovanja, s razumijevanjem pročitajte sve upute na stroju i pridržavajte ih se.

SIMBOLI O SIGURNOSTI



Upozorenje u vezi sigurnosti



Nosite rukavice za teške uvjete rada koje su izrađene od izdržljivog materijala



Nosite sigurnosnu protukliznu obuću



Vodite računa o mogućem povratnom udarcu - dodir vrha vodilice pile s bilo kojim predmetom mora se izbjegavati



Povratni udarac vrha vodilice - dodir vrha vodilice može dovesti do naglog pomicanja pile prema gore ili prema dolje, što može dovesti do ozbiljne ozljede.



Otpadni električni proizvodi ne smiju se odlagati s otpadom iz kućanstva. Odnosite ih u ovlaštenu centar za recikliranje.

V

Volt



Istosmjerna struja



Radi smanjenja opasnosti od ozljeda, prije uporabe ovog proizvoda korisnik treba s razumijevanjem pročitati ovaj korisnički priručnik.



Nosite odjeću koja po mjeri za vas. Nemojte nositi šal, kravatu ili nakit.



Nosite sigurnosne naočale po mjeri, čepove za uši ili štitičke za uši i zaštitnu kacigu s remenom za vezanje ispod brade.



Držanje s dvije ruke - lančanu pilu upotrebljavajte s pomoću dvije ruke.



Podaci o vodilici



Ne izlažite je kiši.



Buka



CE

TEHNIČKI PODACI

Napon	56 V	
Preporučena radna temperatura:	-15°C-40°C	
Preporučena temperatura skladištenja:	-40°C-70°C	
Optimalna temperatura punjenja	5°C-40°C	
Duljina reza	300mm	
Brzina lanca	20m/s	
Debljina lanca	3/8" (9,5mm)	
Debljina karike lanca	1,1 mm	
Tip lanca pile	AC1200 (preporučuje se) AC1400 (kompatibilan) AC1600 (kompatibilan)	
Tip vodilice	AG1200 (preporučuje se) AG1400 (kompatibilna) AG1600 (kompatibilna)	
Težina (bez baterijskog modula, navlaka za lanac)	3,5 kg	
Izmjerena razina zvučne snage L_{WA}	98,8 dB(A) K=3 dB(A)	
Razina zvučnog tlaka ne mjestu rada L_{PA}	88,1 dB(A) K=3 dB(A)	
Zajamčena razina zvučne snage L_{WA} (izmjereno u skladu s 2000/14/EZ)	102dB(A)	
Vibracija a_n	Prednja drška	1,73 m/s ² K= 1,5 m/s
	Glavna drška	2,21 m/s ² K= 1,5 m/s

- Deklarirane ukupne vrijednosti vibracija izmjerene su u skladu sa standardnom metodom ispitivanja i mogu se koristiti za usporedbu jednog alata s drugim.
- Deklarirane ukupne vrijednosti vibracija mogu se koristiti i u preliminarnoj procjeni izloženosti.

OBAVIJEST: Emisija vibracija tijekom aktualnog korištenja električnog alata može se razlikovati od deklarirane vrijednosti u kojoj se alat koristi; Radi zaštite rukovatelja korisnik treba nositi rukavice i štitnike za uši u aktualnim uvjetima korištenja.

OPIS

UPOZNAJTE SE S LANČANOM PILOM (sl. A1)

1. Lanac pile
2. Ručica kočnice povratnog udara
3. Jezičak za fiksiranje
4. Glavna drška
5. Okidač s regulacijom brzine
6. Ušica
7. Indikator baterije
8. Indikator niske razine ulja
9. Prednja drška
10. Čep spremnika s uljem
11. Vodilica
12. Otvor za podmazivanje
13. Lančanik
14. Vijak za zatezanje
15. Sigurnosna sklopka za uključivanje/isključivanje
16. Vijak vodilice
17. Matica vodilice
18. Sklop bočnog poklopca
19. Poklopac vijka za podešavanje protoka ulja
20. Poklopac za uklanjanje prašine
21. Mehanizam za izbacivanje
22. Električni kontakti
23. Gumb za oslobađanje baterije
24. Kuka za remen
25. Kopča
26. Remen
27. Štrop
28. Prsten 1
29. Kuka pile
30. Električni utikač
31. Prsten 2
32. Zaštitna navlaka za lanac
33. Kombinirani ključ

SADRŽAJ PAKIRANJA (SL. A1)


SASTAVLJANJE

MONTAŽA/DEMONTAŽA VODILICE I LANCA

⚠ UPOZORENJE: Obavezno odvojite električni utikač i navucite zaštitne rukavice prije montaže ili održavanja proizvoda.

⚠ UPOZORENJE: Pročitajte sva upozorenja, upute, ilustracije u vezi sigurnosti i tehničke podatke isporučene s ovim električnim alatom. Zanemarivanje svih uputa navedenih u nastavku može rezultirati strujnim udarom, požarom i/ili teškim ozljedama.

Sačuvajte sva upozorenja i sve upute za buduće potrebe.

1. Pazite da ručica kočnice povratnog udarca bude u položaju .
2. Odmrinite **maticu vodilice (A-17)** ulijevo kako biste skinuli **sklop bočnog poklopca (A-18)**.
3. Lanac pile položite kružno na ravnu površinu i ispravite eventualne pregibe. (Sl. B1)
4. Stavite **pogonske karike (B-1)** lanca u **žlijeb vodilice (B-2)** tako da se na stražnjoj strani vodilice napravi petlja. (Sl. B2)
5. Držite lanac u položaju na vodilici i stavite petlju oko **lančanika lanca (B-3)** pogonske glave i provjerite sljedeće (sl. B3):
 - a) Pogonske karike lanca leže u zubima **lančanika lanca (B-3)**.
 - b) **Vijak za zatezanje (B-4)** i **vijak za vođenje (B-5)** nalazi se u utoru vodilice. **Zatik za zatezanje (B-6)** nalazi se u rupi vodilice.

OBAVIJEST: Pazite da smjer strelica na zubima lančane pile bude okrenut prema naprijed (Sl. B3).

6. Pogledajte odjeljak **„ZATEZANJE LANČANE PILE“** kako biste bili sigurni da je lanac propisno montiran i da ne zapinje.
7. Poravnajte dvije **šipke za vođenje (B-7)** sklopa bočnog poklopca s odgovarajućim **rupama (B-8)** na pili, zatim montirajte sklop bočnog poklopca. (Sl. B4)
8. Stegnite maticu vodilice.

B-1	Pogonske karike	B-5	Vijak vodilice
B-2	Žlijeb	B-6	Zatik za zatezanje
B-3	Lančanik lanca	B-7	Vodeće šipke
B-4	Vijak za zatezanje	B-8	Rupe

OBAVIJEST: Ako je vodilicu treba zamijeniti, skinite sklop bočnog poklopca i ponovno je montirajte s novom vodilicom kako je prikazano na sl. C.

RAD

PRIMJENA

- Ova lančana pila predviđena je za rezove u drvetu i održavanje.



Pilu smiju upotrebljavati samo osobe koje su posebno obučene za radove održavanja.

OBAVIJEST: Preporuka za korisnika koji prvi put koristi ovaj uređaj – debela rezite na konju za piljenje ili ležištu.

ZATEZANJE LANCA PILE

⚠ UPOZORENJE: Nemojte dodirivati ili podešavati lanac dok motor radi. Lanac pile vrlo je oštar; pri obavljanju radova održavanja na lancu obvezno nosite zaštitne rukavice.

Lanac pile se za vrijeme normalnog rada širi i skuplja. Posljedica toga je promjena napetosti lanca. Redovito provjeravajte napetost lanca i po potrebi ju podesite.

1. Isključite lančanu pilu, aktivirajte kočnicu lanca i odvojite električni utikač.
2. Otpustite maticu vodilice tako da se vodilica može pomicati slobodno radi budućeg podešavanja.
3. Vrh vodilice pile držite gore i podešavajte vijak za podešavanje napetosti dok ne postignete sljedeće:
 - a) Provjes pile u sredini vodilice treba biti oko: 1 - 2 mm (Sl. D).
 - b) Deaktivirajte kočnicu lanca i provjerite da se lanac može vući s dva prsta duž vodilice.

OBAVIJEST: Pažljivo provedite ovaj korak kako biste izbjegli tjelesne ozljede. Budući da istosmjerni motor sadrži magnetski materijal, osjetit ćete određeni otpor pri povlačenju lanca s dva prsta u usporedbi s klasičnom benzinskom pilom. Povlačenje neće teći glatko kao kod benzinske pile.

4. Podignite vrh vodilice gore i zategnite maticu vodilice.

OBAVIJEST: Ako je provjes lanca na sredini vodilice nije 1 - 2 mm, podesite napetost lanca.

PUNJENJE SPREMNIKA ZA ULJE

1. Odvojite električni utikač od lančane pile.
2. Položite lančanu pilu na bočnu stranu, na čvrstu i ravnu površinu tako da čep spremnika za ulje bude okrenut gore. Otvorite čep spremnika s uljem. Ako je prejako zategnut, učinite to odgovarajućim viličastim ključem (koji je isporučen) (sl. E).
3. Pažljivo ulijte ulje u spremnik za ulje. Napunite do donjeg ruba vrata uljevnika. Obrišite višak ulja i zatvorite čep spremnika ulja.

OBAVIJEST:

- Lančana pila nije napunjena uljem u vrijeme kupnje. Spremnik je prije uporabe potrebno napuniti uljem. Tijekom rada, lanac se automatski podmazuje uljem za lanac.
- To ulje posebno je koncipirano za malo trenje i brže rezove.
- Nemojte upotrebljavati ulje i druga maziva koja nisu konkretno predviđena za upotrebu na vodilici i lancu. To može dovesti do začepljenja sustava za ulje što može dovesti do ubrzanog trošenja vodilice i lanca.

PODEŠAVANJE PROTOKA ULJA (SI. F)

- Pila je opremljena **vijkom za podešavanje protoka ulja (F-1)** koji se nalazi na donjem dijelu alata i upotrebljava se za podešavanje protoka ulja za podmazivanje lanca, vodilice i sustava za rezanje. Podešavanje i smanjivanje protoka ulja vrši se u skladu sa smjerovima strelica na kućištu.

LED INDIKATOR NA LANČANOJ PILI

Lančana pila opremljena s 2 LED indikatora koji označavaju stanje ulja i razinu napunjenosti baterijskog modula.

LED indikator		Značenje	Radnja
Indikator niske razine ulja (A-8)	Trepće crveno	Manjak ulja	Napunite spremnik za ulje
	Isključen	Ulja ima dovoljno	/
Indikator baterije (A-7)	Svijetli zeleno	Baterijski modul je napunjen	/
	Trepće zeleno	Baterijski modul skoro je ispražnjen i potrebno ga je odmah napuniti.	Napunite bateriju

PRIČVRŠČIVANJE DRŽAČA BATERIJE NA UPRTAČE ZA PENJANJE

Lančana pila dolazi s držačem baterije koji se upotrebljava za nošenje baterijskog modula i omogućuje pričvršćivanje baterijskog modula na uprtache za penjanje (nisu isporučeni).

OBAVIJEST: Čvrsto pričvrstite držač baterije na uprtache za penjanje prije zakopčavanja uprtacha za penjanje.

1. Potražite poželjno mjesto za pričvršćivanje držača baterije na uprtache za penjanje, zakvačite držač baterije na uprtache za penjanje s pomoću **kuke za remen (G-1)**. (Sl. G1)
2. Omotajte remen oko uprtacha za penjanje kako biste držač baterije učvrstili ne njegovom mjestu (Sl. G2 i G3).
3. Pričvrstite dva **prstena (G-2)** sigurnosnog štopa na uprtache za penjanje s pomoću dva karabina (ne isporučuju se), kako je prikazano na Sl. G4.

G-1	Kuka za remen	G-2	Prsteni
-----	---------------	-----	---------

OBAVIJEST:

- Prilikom penjanja na drvo, pričvrstite prsten 1 i 2 sigurnosnog štopa na uprtache za penjanje s pomoću karabina (ne isporučuju se) (Sl. G5)

- Kada se alat upotrebljava, odvojite prsten 2 od uprtacha za penjanje, držite pilu s dvije ruke kako biste izveli rez (Sl. G6).

PRIČVRŠČIVANJE PILE NA DRŽAČ BATERIJE

Pričvrstite **kuku pila (H-2)** sigurnosnog štopa na **ušicu (H-1)**. (Sl. H)

H-1	ušica	H-2	kuka pile
-----	-------	-----	-----------

UGRADNJA/UKLANJANJE BATERIJSKOG MODULA

OBAVIJEST: Komplet baterija napunite do kraja prije prve uporabe.

Ugradnja (sl. I1)

Utoze za ugradnju centrirajte s rebriima na baterijskom modulu i zatim gurajte baterijski modul sve dok ne uskoči na svoje mjesto.

Uklanjanje (Sl. I2)

Pritisnite gumb za oslobađanje baterije kako biste izvukli baterijski modul.

POKRETANJE/ZAUSTAVLJANJE LANČANE PILE

Pokretanje

1. Centrirajte oznake "▲" na **električnom utikaču (J-2)** i na **električnom utikaču lančane pile (J-1)**, zatim utaknite utikač u lančanu pilu tako da ZELENA brtva na utikači POTPUNO nestane u utičnici (Sl. J1).
2. Pritisnite sklopku za UKLJUČIVANJE/ ISKLJUČIVANJE u položaj „**UKLJUČENO**“ (Sl. J2).
3. Ručicu kočnice za povratni udar lanca povucite prema glavnoj dršci u položaj .
4. Pomaknite **jezičak za fiksiranje (J-3)** prema naprijed i zatim **okidač s regulacijom brzine (J-4)**. Što više povlačite okidač s regulacijom brzine, to će biti veća brzina vrtnje lančane pile (Sl. J3).

J-1	Električna utičnica	J-3	Jezičak za fiksiranje
J-2	Električni utikač	J-4	Okidač s regulacijom brzine

Zaustavljanje

1. Otpustite okidač s regulacijom brzine ako želite zaustaviti rad lančane pile.

OBAVIJEST: Lančana pila će se nastaviti okretati još kratko vrijeme nakon otpuštanja okidača s regulacijom brzine. Pazite da nakon otpuštanja okidača s regulacijom brzine i odlaganja lančane pile ne dođete u kontakt s lančanom pilom.

2. Pritisnite naprijed ručicu kočnice za povratni udarac u položaj "☒".
3. Isključite sklopku za UKLJUČIVANJE/ ISKLJUČIVANJE u položaj „OFF”.

⚠ UPOZORENJE: Za vrijeme prekida rada i nakon završetka rada, iskopčajte električni utikač pile.

PRIPREMA ZA REZANJE

Propisno držanje na drškama (Sl. K)

- Za maksimalni prihvat i zaštitu nosite neklizajuće rukavice.
- Prednju dršku uhvatite lijevom rukom, a glavnu dršku uhvatite desnom rukom.
- Prsti moraju okružiti dršku i palac mora biti podvinut ispod prednje drške.

⚠ UPOZORENJE: Ne koristite lijevoručni rukohvat (s križanjem ruku) ili bilo koji položaj u kojemu će tijelo ili ruka prijeći preko crte lanca.

⚠ UPOZORENJE: Nemojte pritiskati okidačku sklopku lijevom rukom i prednju dršku držite desnom rukom. Pazite da za vrijeme rada s pilom nijedan dio tijela ne dođe u pravac kretanja lanca (Sl. L).

PROVJERA PODMAZIVANJA LANCA (Sl. M)

OBAVIJEST: Pazite da spremnik lančane pile za ulje bude napunjen propisanom količinom ulja za lanac.

1. Držite vodilicu iznad svijetlo obojene površine.
2. Uključite pilu. Vidjet ćete prozirnu crtu ulja na svijetlo obojenoj površini nakon 1 minute ako podmazivanje lanca radi kako treba.
3. Ako se ulje lanca ne još ne vidi na svijetlo obojenoj površini, pogledajte „podešavanje protoka ulja” radi podešavanja.

UPOTREBA U DRVETU

⚠ UPOZORENJE: kada radite ili se penjete, preporučuje se da koristite dodatni oslonac kao što je streman za stopalo, podesivo sigurnosno uže kako ne bi došlo do ljuljanja ili nezgode s posjeklinom.

Prije upotrebe, provjerite sljedeće:

- Provjerite oznake istrošenosti na **lančaniku lanca (N-1)**, ako su oznake istrošenosti dublje od 0,5 mm, obratite se serviseru tvrtke EGO radi zamjene lančanika lanca.
- Također, provjerite sustav kočenja, ako su **oznake na oblogama kočnice (N-2)** nejednake, obratite se serviseru tvrtke EGO radi obvezne zamjene obloge kočnice. (Sl. N)

N-1	Lančanik lanca	N-2	Obloga kočnice
-----	----------------	-----	----------------

- Provjerite vodilicu lanca u odgovarajućem odjeljku: **ODRŽAVANJE VODILICE**
- Provjerite lanac pile u sljedećem odjeljku: **ODRŽAVANJE LANCA**
- Ispitajte kočnicu lanca u odgovarajućem odjeljku: **SIGURNOSNI UREĐAJI ZA ZAŠTITU OD POVRATNOG UDARCA**

NA OVOJ LANČANOJ PILI

- Provjerite upravljačke dijelove u sljedećem odjeljku: **POKRETANJE/ZAUSTAVLJANJE LANČANE PILE**
- Provjerite podmazivanje lanca u sljedećem odjeljku: **PROVJERA PODMAZIVANJA LANCA**

ODRŽAVANJE

ČIŠĆENJE

- Nakon svake uporabe, mekanom četkom očistite naslage s lanca i vodilice. Površinu lančane pile obrišite čistom krpom navlaženom u blagoj sapunici.
- Prilikom dubinskog čišćenja, uklonite sklop poklopca, skinite vodilicu i lanac pile i zatim mekanom četkom temeljito odstranite ostatke s vodilice, lanca pile i pogonskog lančanika na pogonskoj glavi lančane pile.
- Pri zamjeni lanca pile iz žlijeba vodilice uvijek očistite drveno iverje, prašinu od pile i nečistoću.

UKLANJANJE PRAŠINE

1. Odvojite električni utikač, pričekajte da se lančana pila ohladi i zatim pritegnite čep spremnika ulja.
2. Aktivirajte kočnicu pile.
3. Kombiniranim viličastim ključem (isporučen) otpustite vijak **poklopca za uklanjanje prašine (O-1)** kako biste ga otvorili (Sl. O1).
4. Očistite prašinu pile i strugotine koje se nakupljaju na rebrima za hlađenje komprimiranim zrakom, ispušite ih sa suprotne strane **otvora za ulaz zraka (O-2)**. (Sl. O2).

O-1	Poklopac za uklanjanje prašine	O-2	Ulaz za zrak
-----	--------------------------------	-----	--------------

ODRŽAVANJE VODILICE

Kada se na vodilici pojave znakovi istrošenosti, skinite je s pogonske glave lančane pile i okrenite je naopako za ponovno postavljanje (Sl. P1), čime ćete raspodijeliti trošenje radi maksimalnog radnog vijeka vodilice.

Vodilicu je potrebno čistiti, uključujući **vodilice pile (P-1)** i **otvor za podmazivanje (P-2)** svaki dan kada se upotrebljava i provjeriti da nema znakova istrošenosti i oštećenja (Sl. P2). Stanjivanje vodilice ili pojava oštrih rubova normalan je proces pri trošenju vodilice. Takvi nedostaci mogu se izravnati turpijom čim se pojave. Vodilica s bilo kojim od sljedećih nedostataka mora se odmah zamijeniti.

Istrošenost unutar vodilica koja omogućuje klizanje lanca po bočnim stranicama.

- Savijena vodilica.
- Napuknute ili polomljene vodilice.
- Raširene vodilice.

Vodilica na vrhu ima lančanik. Lančanik se mora svakog tjedna podmazivati mazalicom radi produženja radnog vijeka vodilice (sl. P3 i P4). Okrećite **prednji lančanik (P-3)** za vrijeme pumpanja **prozirno žute, prozirnno crvene ili prozirne masti u otvor za podmazivanje (P-4)** sve dok nova mast ne bude na cijelom lančaniku. Nemojte gurati prljavštinu u rupu.

P-1	Vodilice pile	P-3	Lančanik
P-2	Otvor za podmazivanje	P-4	Otvor za podmazivanje

ODRŽAVANJE LANCA

Na ovoj pili koristite samo lance s niskom silom povratnog udarca. Kada se propisno montira, ovaj brzorezni lanac osigurat će smanjenu silu povratnog udarca.

Propisno naoštren lanac pile reže drvo bez napora čak i uz vrlo mali pritisak. Ne upotrebljavajte oštećen ili zatupljen lanac pile. Zatupljena oštrica lanca pile dovodi do povećanja fizičkog naprezanja, povećanih vibracija, loših rezultata rezanja i povećanog habanja.

Propisno održavanje lanca osigurat će lako i brzo rezanje. Lanac treba naoštriti kada je strugotina drveta mala i praškasta, kada se lanac mora forsirati pri rezu kroz drvo ili kada lanac reže samo na jednoj strani. Za vrijeme održavanja lanca vodite računa o sljedećem:

- Neproprisan kut punjenja bočne ploče može povećati rizik od jakog povratnog udarca.
- Zazor mjerača dubine. Premali razmak povećava mogućnost povratnog udarca. Ako nije dovoljno mali razmak, smanjuje se sposobnost rezanja.
- Ako rezni zub udari u tvrdi predmet kao što je čavao ili kamen ili je oštećen blatom ili pijeskom na drvetu, odnesite lanac kvalificiranom serviseru na oštrenje.

OBAVIJEST: preporučuje se da oštrenje i održavanje lanca pile prepustite samo ovlaštenim servisnim centrima.

TRANSPORT I SKLADIŠTENJE

- Lančanu pilu ne skladištite i ne transportirajte kada radi. Prije skladištenja ili transporta obavezno odvojite električni utikač.
- Prije skladištenja ili transporta priključka lančane pile na vodilicu i lanac navucite zaštitnu navlaku. Budite oprezni kako biste izbjegli oštre zube lanca.
- Lančanu pilu dobro očistite prije skladištenja. Lančanu pilu pohranite na suhom mjestu koje je zaključano i nije dostupno djeci.
- Držite dalje od korozivnih sredstava kao što su vrtno kemikalije i soli za odleđivanje.

Zaštita okoliša



OEEO (Otpadna električna i elektronička oprema) Električnu opremu, iskorištenu bateriju i punjač nemojte odlagati u otpad iz kućanstva! Ovaj proizvod odnesite u ovlaštenu centar za reciklažu i time omogućite odvojeno sakupljanje. Električne alate potrebno je vratiti u ekološki prihvatljiv pogon za reciklažu.

OTKLANJANJE SMETNJI

PROBLEM	UZROK	RJEŠENJE
Motor se ne pokreće.	<ul style="list-style-type: none"> ■ Električni utikač držača baterije nije pričvršćen na lančanu pilu. ■ Nema električnog kontakta između držača baterije i baterije. ■ Jezičak za fiksiranje nije preklapljen gore. ■ Sklopka za „UKLJUČIVANJE/ ISKLJUČIVANJE” nalazi se u položaju „OFF”. ■ Kočnica lanca je aktivirana. 	<ul style="list-style-type: none"> ■ Električni utikač držača baterije ukopčajte u lančanu pilu. ■ Odvojite bateriju, provjerite kontakte i ponovno stavite baterijski modul. ■ Preklopite jezičak za fiksiranje prema gore prije početka rada. ■ Okrenite sklopku za „UKLJUČIVANJE/ ISKLJUČIVANJE” u položaj „ON”. ■ Ručicu kočnice lanca za povratni udar povucite natrag prema gornjem rukohvatu u radni položaj.
Lančana pila prestaje raditi tijekom rada.	<ul style="list-style-type: none"> ■ Baterijski modul ili pila su prevrući. ■ Lančana pila je preopterećena. ■ Previše komadića drveta začepilo je kanal za ventilaciju. ■ Baterijski modul je ispražnjen. 	<ul style="list-style-type: none"> ■ Ohladite baterijski modul ili lančanu pilu ■ Smanjite opterećenje. ■ Očistite prašinu, pogledajte poglavlje „UKLANJANJE PRAŠINE”. ■ Napunite baterijski modul
Kočnica lanca ne ulazi u zahvat	<ul style="list-style-type: none"> ■ Otpad onemogućuje puni hod drške kočnice povratnog udarca lanca ■ Moguća neispravnost kočnice lanca 	<ul style="list-style-type: none"> ■ Očistite otpad s vanjskog mehanizma kočnice lanca ■ Za popravak se obratite centru korisničke službe proizvođača EGO.
Nema ulja za podmazivanje za vrijeme rezanja.	<ul style="list-style-type: none"> ■ Spremnik ulja za lanac prazan je. ■ Izlaz za ulje vodilice lanca je začepljen. ■ Zgušnjavanje ulja na niskim temperaturama 	<ul style="list-style-type: none"> ■ Dopunite mazivo za vodilicu i lanac. ■ Očistite prašinu s izlaza za ulje. ■ Upotrijebite propisano ulje za podmazivanje (primjereno za niske temperature)
Trepće crveni indikator niske razine ulja ili se prikazuje svjetlo nepravilnosti za vrijeme punjenja spremnika uljem.	<ul style="list-style-type: none"> ■ Upotreba stroja pod posebnim kutom dovodi do toga da ulje u spremniku ulja ne ulazi u cijev za ulje. ■ Kategorija i boje ulja koja nije preporučena. ■ Indikator niske razine još uvijek trepće. 	<ul style="list-style-type: none"> ■ Odložite lančanu pilu na ravnu površinu i pokušajte opet. ■ Upotrijebite preporučeno prozirno žutom, prozirno crveno ili prozirno ulje. ■ Za popravak se obratite centru korisničke službe proizvođača EGO
Indikator niske razine ulja ne radi kada je u spremniku smanjena količina ulja.	<ul style="list-style-type: none"> ■ Kategorija i boje ulja ne može se prepoznati. ■ U spremniku za ulje ili u cijevi za ulje postoji mala količina ulja ■ Indikator niske razine ulja i dalje ne radi zbog gore navedenih uzroka. 	<ul style="list-style-type: none"> ■ Upotrijebite preporučeno prozirno žutom, prozirno crveno ili prozirno ulje. ■ Nakratko pokrenite lančanu pilu i zatim opet provjerite indikator niske razine ulja. ■ Za popravak se obratite centru korisničke službe proizvođača EGO.

HR JAMSTVO

JAMSTVENA POLITIKA PROIZVOĐAČA EGO

Cjelokupne uvjete i odredbe jamstvene politike proizvođača EGO potražite na internetskoj stranici egopowerplus.com.



სრულად გაეცანით ინსტრუქციას!



გაეცანით მომხმარებლის ინსტრუქციას

⚠ არსებული რისკი! პიროვნებებმა ისეთი ელექტრული მოწყობილობებით, როგორცაა იმპლანტირებული დეფიბრილატორი, უნდა მიმართონ პირად ექიმს რჩევისთვის ამ პროდუქტის გამოყენებამდე. იმპლანტირებულ დეფიბრილატორთან უშუალო სიახლოვეს ელექტრული მოწყობილობის ოპერირებამ შესაძლოა დეფიბრილატორს ხელი შეუშალოს მუშაობაში ან გათიშოს იგი.

უსაფრთხოების წესის სიმბოლოები

უსაფრთხოების წესის სიმბოლოების მიზანია მიაქციოთ ყურადღება შესაძლო საფრთხეებს. ყურადღებით გაეცანით და შეისწავლეთ უსაფრთხოების წესის სიმბოლოები და მათი შესაბამისი განმარტებები. უსაფრთხოების წესის სიმბოლოების მინიშნებები თავისთავად არ ანეიტრალებს რაიმე საფრთხის არსებობის რისკს. მათ მიერ მოწოდებულ ინსტრუქციები და გაფრთხილებები არ არიან შემთხვევის თავიდან აცილების სწორი პროცედურის შემცველები.

⚠ გაფრთხილება: ხელსაწყო გამოყენებამდე დაწვრილებით გაეცანით და შეისწავლეთ ყველა უსაფრთხოების წესი ოპერატორის ამ ინსტრუქციაში, მათ შორის ყველა უსაფრთხოების წესის სიმბოლო როგორცაა „სამშრომება“, „გაფრთხილება“ და „ყურადღება“. ქვემოთ ჩამოთვლილი ყველა ინსტრუქციის უგულვებელყოფამ შესაძლოა გამოიწვიოს ელექტრო შოკი, ხანძარი და/ან მოგაყენოთ სხეულის სერიოზული ტრავმა.

სიმბოლოების მნიშვნელობა

ეს გვერდი აჩვენებს და აღწერს იმ უსაფრთხოების წესის სიმბოლოებს, რომლებიც შესაძლოა აღბეჭდილია მოცემულ პროდუქტზე. წაიკითხეთ, შეისწავლეთ და მიეცეთ ხელსაწყო ყველა ინსტრუქციას მის აწყობამდე და ჩართვამდე.

უსაფრთხოების წესის სიმბოლოები



უსაფრთხოების გაფრთხილება



დაზიანების რისკის შესამცირებლად, მომხმარებელმა უნდა წაიკითხოს და გაიგოს ხელსაწყო მუშაობის ინსტრუქცია, მის გამოყენებამდე.



ჩაიცვით გამძლე მასალისგან დამზადებული სამუშაო ხელთათმანები.



ჩაიცვით მჭიდროდ მორგებული ტანსაცმელი. არ ატაროთ შარვი, ჰალსტუხი ან სამკაულები.



ჩაიცვით მოცურების საწინააღმდეგო ლანჩის მქონე უსაფრთხოების დამცავი ფეხსაცმელი



გაიკეთეთ მჭიდროდ მორგებული უსაფრთხოების სათვალე, სმენის დამცობი ან სმენის დამცავი ყურსასმენი და მყარი უსაფრთხოების ჩაფხუტი ნიკაპზე მორგებული თასმით.



ერიდეთ ხერხის უკუვემას - მოერიდეთ ძელის წვეტის შეხებას სხვა საგანთან.



ორი ხელით დაიჭირეთ ხერხი - გამოიყენეთ ორივე ხელი ჯაკვური ხერხით სარგებლობისას.



ხერხის ძელის წვეტიდან უკუვემა - სხვა საგანთან წვეტის შეხებამ შესაძლოა გამოიწვიოს ძელის უგაბედი მოძრაობა ზევით ან ქვევით, რამაც შეიძლება მოგაყენოთ სერიოზული ზიანი.



ინფორმაცია ხერხის ძელზე.



ელექტრო ხელსაწყოების უტილიზაცია არ უნდა მოხდეს საყოფაცხოვრებო ნარჩენებთან ერთად. წაიღეთ ხელსაწყო ავტორიზებულ ნარჩენების გადამამუშავებელთან.



არ მოთავსოთ ხელსაწყო წვიმის ქვეშ.



V ვოლტი



ბმური




მუდმივი დენი



CE

KA

სპეციფიკაციები

ძაბვა	56 ვოლტი 	
რეკომენდირებული საექსპლუატაციო ტემპერატურა:	-15°C-40°C	
რეკომენდირებული დასაწყობების ტემპერატურა:	40°C-70°C	
ოპტიმალური დამუხტვის ტემპერატურა	5°C-40°C	
ჭრის სიგრძე	300 მმ	
ჯაჭვის სიჩქარე	20 მ/წმ	
ჯაჭვის ბოჯი	3/8" (9.5 მმ)	
ჯაჭვის სისქე	1.1 მმ	
ხერხის ჯაჭვის ტიპი	AC1200 (რეკომენდებული) AC1400 (თავსებადი) AC1600 (თავსებადი)	
ძელის ტიპი	AG1200 (რეკომენდებული) AG1400 (თავსებადი) AG1600 (თავსებადი)	
წონა (აკუმულატორისა და ჯაჭვის შალითას გარეშე)	3.5 კგ	
გაზომილი ხმის სიმძლავრის დონე L_{WA}	98.8 დბ(A) $K=3$ დბ(A)	
ბგერის წნევის დონე მომხმარებლის პოზიციაზე L_{PA}	88.1 დბ(A) $K=3$ დბ(A)	
გარანტირებული ხმის სიმძლავრის დონე L_{WA} (2000/14/EC რეგულაციის მიხედვით)	102 დბ(A)	
ვიბრაცია a_h	წინა სახელური	1.73 მ/წმ ² $K=1.5$ მ/წმ
	მთავარი სახელური	2.21 მ/წმ ² $K=1.5$ მ/წმ

- მითითებული ვიბრაციის სრული მნიშვნელობა გაზომილია სტანდარტული ტესტირების მეთოდით და შესაძლოა გამოყენებულ იქნას ერთი ხელსაწყო

მეორესთან შედარებისას.

- მითითებული ვიბრაციის სრული მნიშვნელობა ასევე შესაძლოა გამოყენებულ იქნას ზემოქმედების პირველადი შეფასებისას.

შენიშვნა: ელექტრული ხელსაწყო ვიბრაციის ემისია გამოყენებისას შესაძლოა განსხვავდებოდეს მითითებული ოდენობისგან; მომხმარებელმა ხელსაწყოთი სარგებლობისას საჭიროა გამოიყენოს ხელთათმანები და ყურის დამცავი საშუალებები.

აღწერა

შეისწავლეთ თქვენი ჯაჭვური ხერხი (ნახ. A1)

1. ხერხის ჯაჭვი
2. ხერხის უკუცემის მუხრუჭის ლაფოტი
3. ჩამკეტი ენაკი
4. მთავარი სახელური
5. ტრიგერი სიჩქარის რეგულირებით
6. ხვრელი
7. აკუმულატორის ინდიკატორი
8. ზეთის ინდიკატორი
9. წინა სახელური
10. ზეთის საცავის ხუფი
11. ხერხის ძელი
12. შესაზეთი ნასვრეტი
13. კბილანა
14. დამჭიმავი ხრახნი
15. ჩართვა-გათიშვის უსაფრთხის დილაკი
16. ძელის ჭანჭიკი
17. ძელის ქანჩი
18. გვერდითა ხუფი
19. ზეთის მიწოდების რეგულირების ჩანჭიკის ხუფი
20. მტერის მოსაცილებელი ხუფი
21. ამოღების მექანიზმი
22. ელექტრო კონტაქტები
23. აკუმულატორის მოხსნის დილაკი
24. ღვედის სამაგრი
25. ღვედის ბალთა
26. ღვედი
27. ელექტროსადენის შალითა
28. რგოლი #1
29. ხერხის კაუჩი
30. ელექტრო ჩანგალი
31. რგოლი #2
32. ჯაჭვის შალითა
33. კომბინირებული ქანჩის გასაღები

KA

შეფუთვის ჩამონათვალი (სურ. A1)

აწყობა

ძელის და ჯაჭვის დამაგრების/მოხსნის წესი

▲ გაფრთხილება: ყოველთვის ამორთეთ დენის ჩანგალი, ციცივი და მცავი ხელთათმანები, სანამ ააწყობთ ან ჩაუტარებთ რემონტს ხელსაწყოს.

▲ გაფრთხილება: გაეცანით ამ ელექტრო ხელსაწყოსთან დაკავშირებულ ყველა უსაფრთხოების მითითებას, ინსტრუქციას, ილუსტრაციას და სპეციფიკაციას. ქვემოთ ჩამოთვლილი ყველა ინსტრუქციის უგულვებელყოფამ შესაძლოა გამოიწვიოს ელექტრული შოკი, ხანძარი და/ან მოგაყენოთ სერიოზული ზიანი.

შეინახეთ ყველა მითითება და ინსტრუქცია სამომავლოდ გამოყენებისთვის.

1. დარწმუნდით რომ ხერხის უკუწევის მუხრუჭის ლაფოტი გადაყვანილია წმ პოზიციაში.
2. დაატრიალეთ ძელის ქანჩი (A-17) საათის ისრის საწინააღმდეგო მიმართულებით, რათა მოხსნათ გვერდითა ხუფი (A-18).
3. მოათავსეთ ჯაჭვის მარყუჟი ბრტყელ ზედაპირზე და გაასწორეთ ნებისმიერი გადახლართვა. (ნახ. B1)
4. მოათავსეთ ჯაჭვის მამომრავებელი რგოლები (B-1) ძელის სიდრუეში (B-2) და დარწმუნდით რომ ჯაჭვი შემოეცლება ძელს უკანა მხრიდან. (ნახ. B2)
5. დაიჭირეთ ჯაჭვი ძელზე ამ პოზიციაში და ჩამოეციეთ მარყუჟი ელექტრული თავის ხერხის კბილანას (B-3) და შეამოწმეთ შემდეგი (Fig. B3):
 - a) ჯაჭვის მამომრავებელი რგოლები მოთავსებულია ხერხის კბილანას (B-3) წვეტებზე.
 - b) დამჭიმავი ხრახნი (B-4) და ძელის ქანჩი (B-5) მოთავსებულია ხერხის ძელის ნასვრეტში. დამჭიმავი წკირი (B-6) ჩასმულია ხერხის ძელის სიდრუეში.

შენიშვნა: დარწმუნდით, რომ ისრის მიმართულება ხერხის ჯაჭვის კბილებზე ყოველთვის მიუთითებს წინ (ნახ. B3).

6. იხილეთ სექცია „ხერხის ჯაჭვის მოჭიმვის ინსტრუქცია“, რათა დარწმუნდეთ რომ ჯაჭვი სწორადაა აწყობილი გახლართვის გარეშე.

7. გაუსწორეთ გვერდითა ხუფის ორი ძელის ჭოკი (B-7) ხერხზე არსებულ შესაბამის ნასვრეტებს (B-8), შემდეგ მორაგეთ გვერდითა ხუფი ხელსაწყოს. (ნახ. B4)
8. მოუჭირეთ ძელის ქანჩი.

B-1	მამომრავებელი რგოლები	B-5	ძელის ქანჩი
B-2	სიდრუე	B-6	დამჭიმავი წკირი
B-3	ჯაჭვის კბილანა	B-7	ძელის ჭოკი
B-4	დამჭიმავი ხრახნი	B-8	ნასვრეტები

შენიშვნა: თუ ხერხის ძელი საჭიროებს შეცვლას, მოხსენით მას გვერდითა ხუფი და ხელახლა ააწყვეთ ის ახალი ძელით, როგორც ნახ. C-ზე არის ნაჩვენები.

ექსპლუატაცია

გამოყენება

- ხერხის ძელი სპეციფიურად განკუთვნილია ხის მცირე ზომის ტოტების ჭრისთვის და მოვლისთვის.



ეს ხერხი მხოლოდ იმ პირების მიერ შეიძლება იქნას გამოყენებული, რომელთაც გავლილი აქვთ შესაბამისი მომზადება.

შენიშვნა: რეკომენდებულია, რომ პირველ ჯერზე გამოუცდელმა მომზადებულმა, სულ მინიმუმ მაინც, სცადონ მორების გახერხვა სახერხ ხარაჩოზე.

ხერხის ჯაჭვის მოჭიმვის ინსტრუქცია

▲ გაფრთხილება: არასოდეს შეეხოთ ან დაარეგულიროთ ჯაჭვი როცა მოტორი მუშაობს. ხერხის ჯაჭვი ძალიან ბასრია; ყოველთვის გაიკეთეთ დამცავი ხელთათმანები მასზე სერვისის ჩატარებისას.

ხერხის ჯაჭვი ფართოვდება ან იკუმშება ნორმალური გამოყენებისას. შედეგად იცვლება ჯაჭვის დაჭიმულობა. რეგულარულად შეამოწმეთ ჯაჭვის დაჭიმულობა ხელსაწყოს გამოყენებისას და დაარეგულიროთ ის.

1. გამორთეთ ხერხი, ჩართეთ ჯაჭვის მუხრუჭი და ამორთეთ დენის ჩანგალი.
2. მოუშვით ძელის ქანჩი ისე, რომ ხერხის ძელი თავისუფლად მოძრაობდეს შემდგომი დაარეგულირებისას.
3. დაიჭირეთ ძელი ცხვირით ზევით და დაარეგულირეთ დამჭიმავი ხრახნი, სანამ შემდეგი პირობები არ დაკმაყოფილდება:

KA

- a) ჯაჭვის ჩამოშლა ძელის ცენტრში არის დაახლოებით: 1 - 2 მმ (ნახ. D)
- b) ამორთეთ ჯაჭვის მუხრუჭი, მოკიდეთ ორი თითი და დარწმუნდით რომ ჯაჭვი ტრიალებს ძელის გარშემო.

შენიშვნა: ფრთხილად შეასრულეთ ეს ნაბიჯი პირადი დაზიანებების თავიდან ასაცილებლად. მუდმივი დენის ამ ძრავის შემადგენლობაში არის დამაგნიტებელი ელემენტები, რომელიც ჩვეულებრივი ბენზინზე მომუშავე ჯაჭვის ხერხთან შედარებით მოგცემთ შემდეგ განსხვავებას: როდესაც ხერხის ჯაჭვს დაატრიალებთ ორი თითით, იგრძნობთ გარკვეულ წინაღობას. ეს მოძრაობა ისეთივე დაუბრკოლებელი არაა, როგორც ჩვეულებრივი ბენზინზე მომუშავე ჯაჭვის ხერხისთვის.

- 4. დაიჭირეთ ძელი ცხვირით ზევით და დაუჭირეთ ძელის ქანჩი.

შენიშვნა: თუ ჯაჭვის ჩამოშლა ძელის ცენტრში არ არის 1 - 2 მმ, შეცვალეთ დაჭიმვის დონე.

ზეთის საცავის ავსების ინსტრუქცია

1. ამორთეთ კვების ჩანგალი ჯაჭვური ხერხიდან.
2. ჯაჭვური ხერხი მოათავსეთ გვერდზე მყარ, ბრტყელ ზედაპირზე, ისე, რომ ზეთის ავზის ხუფი ზემოთ იყოს მოთავსებული. მოხსენით ზეთის საცავის ხუფი. თუ ის ძალიან დაჭერილია, გამოიყენეთ კომბინირებული ქანჩის გასადების (თანდართულია) თავი, რათა მოუშვათ ის (ნახ. E)
3. ფრთხილად ჩაასხით ზეთი საცავში. შეავსეთ ზეთით შემესები ყელის ბოლომდე. მოწმინდეთ ნარჩენი ზეთი და დაუჭირეთ ზეთის საცავის ხუფი.

შენიშვნა:

- ჯაჭვური ხერხი არ არის ზეთით სავსე შექმნის მომენტში. აუცილებელია ავზის შევსება ზეთით ხელსაწყოს გამოყენებამდე. ჯაჭვი ავტომატურად იზოხება ზეთით მუშაობის პროცესში.
- იგი სპეციალურად განკუთვნილია ხახუნის შესამცირებლად და სწრაფი ხერხისთვის.
- არასოდეს გამოიყენოთ ზეთი ან სხვა საპოხი მასალეები, რომლებიც სპეციალურად არ არის შექმნილი ძელისა და ჯაჭვისთვის. ამან შეიძლება გამოიწვიოს ზეთოვანი სისტემის დაზიანება, რაც ძელისა და ჯაჭვის ნაადრევი ცვეთის საწინდარია.

ზეთის დენის რეგულირება (ნახ. F)

- ეს ხერხი აღჭურვილია **ზეთის დენის მარეგულირებელი ხრახნით (F-1)**, რომელიც მოთავსებულია ამ ხელსაწყოს ქვედა ნაწილში. იგი განკუთვნილია ზეთის დენის რეგულირებისთვის, რომელიც უზრუნველყოფს ჯაჭვის, ძელის და მჭრელი სისტემის შეზეთვას. გაზარდეთ ან შეამცირეთ ზეთის დენა იმ ისრების მიმართულებით დატრიალებით, რომლებიც დატანილია კორპუსზე.

ჯაჭვური ხერხის LED ინდიკატორი

ჯაჭვურ ხერხს აქვს 2 LED ინდიკატორი, რომელიც მიუთითებს ზეთის რაოდენობას და აკუმულატორის დამუხტვის დონეს.

LED ინდიკატორი	მნიშვნელობა	მოქმედება	
ზეთის გამოლევის ინდიკატორი (A-8)	მოციმციმე წითელი შუქი	ზეთის მცირე რაოდენობა	შეავსეთ ზეთის საცავი
	გათიშული	ზეთის საკმარისი რაოდენობა	/
აკუმულატორის ინდიკატორი (A-7)	მუდმივი მწვანე შუქი	აკუმულატორს აქვს საკმარისი მუტე	/
	მოციმციმე მწვანე შუქი	აკუმულატორი თითქმის დაელოლია და საჭიროებს დაუყოვნებლო დამუხტვას.	დატენეთ აკუმულატორი

აკუმულატორის შალითის მიმაგრება სიმაღლეზე ცოცვისთვის განკუთვნილ ღვედებზე

ამ ჯაჭვური ხერხის კომპლექტში არის აკუმულატორის შალითა, რომელიც განკუთვნილია აკუმულატორის სატარებლად და ერგება სიმაღლეზე ცოცვისთვის განკუთვნილ ღვედებს (არ არის კომპლექტში).

შენიშვნა: მჭიდროდ მოარგეთ აკუმულატორის შალითა სიმაღლეზე ცოცვისთვის განკუთვნილ ღვედებს, მათ ტანზე მოარგებამდე.

1. იპოვეთ სასურველი ადგილი აკუმულატორის შალითის ჩამოსაკიდებლად და მოარგეთ იგი ღვედებს შესაბამისი **სამაგრის (G-1)** საშუალებით. (ნახ. G1)

- დაახვეთ ქამარი სიმაღლეზე ცოცვისთვის განკუთვნილ ღვედებს, რათა ადგილზე დააფიქსიროთ შალითა (ნახ. G2 და G3).
- მორგეთ ორი რგოლი (G-2) ელექტროსადენის დამცავ შალითას ორი კარაბინის საშუალებით (არ არის კომპლექტში), როგორც ნაჩვენებია ნახ. G4.

G-1	ღვედის სამაგრი	G-2	რგოლები
-----	----------------	-----	---------

შენიშვნა:

- ხეზე აცოცებამდე მორგეთ ელექტროსადენის დამცავ შალითას რგოლი #1 და #2 სიმაღლეზე ცოცვისთვის განკუთვნილ ღვედს კარაბინების (არ არის კომპლექტში) საშუალებით (ნახ. G5)
- როდესაც იყენებთ ხელსაწყოს, მოხსენით რგოლი #2 ღვედს და დაიჭირეთ ხერხი ორივე ხელით ჭრის დაწყებამდე (ნახ. G6).

ხერხის მიმაგრება აკუმულატორის შალითაზე

მიამაგრეთ ელექტროსადენის დამცავ შალითაზე მორგებულ ხერხის კაუჭი (H-2) შესაბამის ნასვრეტს (H-1). (ნახ. H)

H-1	ნასვრეტი	H-2	ხერხის კაუჭი
-----	----------	-----	--------------

აკუმულატორის დამონტაჟება/მოსხნა

შენიშვნა: სრულად დატენით აკუმულატორი პირველ ჯერზე სარგებლობამდე.

დასამონტაჟებლად (ნახ. I1)

გაუსწორეთ აკუმულატორის სამაგრები მოწყობილობის ნასვრეტებს; ჩასვით აკუმულატორი შალითაში, სანამ არ გაიგებთ წკაპს.

მოსახსნელად (ნახ. I2)

დააჭირეთ აკუმულატორის გამშვებ დილაკს ცერით და ამოიღეთ აკუმულატორი.

ჯაჭვური ხერხის ჩართვა/გამორთვა

ჩასართავად

1. გაუსწორეთ “▲” ნიშნები ელექტრულ ჩანგალებზე (J-2) ჯაჭვის ხერხის ელექტრულ ბუდეს (J-1), შემდეგ ჩასვით ჩანგალი ჯაჭვურ ხერხში, სანამ მწვანე ნიშნული სრულად არ ჩაჯდება ბუდეში (ნახ. J1).
2. დააჭირეთ ჩამრთველს “ON/OFF” და გადაიყვანეთ ჩამრთველი “ON” პოზიციაში (ნახ. J2).
3. მოჰაჩეთ ხერხის უკუცემის მუხრუჭის ლაფეტს ხერხის წინა სახელურისკენ პოზიციაში.

4. გადაიყვანეთ ჩამრთველი ენაკი (J-3) წინა პოზიციაში, ხოლო შემდეგ კი დააწეოთ სიჩქარის მარეგულირებელ ტრიგერს (J-4). რაც უფრო მეტად დააწევით სიჩქარის ტრიგერს, მით უფრო იმატებს ხერხის ჯაჭვის ბრუნვის სიჩქარე (ნახ. J3).

J-1	ელექტრული ბუდე	J-3	ჩამრთველი ენაკი
J-2	ელექტრო ჩანგალი	J-4	ტრიგერი სიჩქარის მარეგულირებით

გასაჩერებლად

1. ხელი აუშვით სიჩქარის ტრიგერს, რათა გამორთოთ ჯაჭვური ხერხი.

შენიშვნა: ჯაჭვური ხერხი მცირე ხნით ისევ იტრიალებს სიჩქარის მარეგულირებელ ტრიგერზე ხელის აშვების შემდეგ. იზრუნეთ, რომ თავიდან აიცილოთ შეხება ხელსაწყოსთან ტრიგერიდან ხელის აშვებიდან ჯაჭვის დადებამდე.

2. დააჭირეთ ხერხის უკუცემის მუხრუჭის ლაფეტს და მოათავსეთ სამუხრუჭე პოზიციაში “”.
3. დააჭირეთ ჩამრთველს “ON/OFF” და გადაიყვანეთ ჩამრთველი “OFF” პოზიციაში

▲ გაფრთხილება: ყოველთვის ამორთეთ აკუმულატორი ჯაჭვური ხერხიდან შესვენებისას ან სამუშაოს დამთავრებისთანავე.

ჭრისთვის მზადება

სწორად ჩაჭიდება სახელურებზე (ნახ. K)

- ჩაიცვით მოცურების საწინააღმდეგო ხელთათმანები მაქსიმალური მოჭიდებისა და უსაფრთხოებისთვის.
- ყოველთვის ჩაჭიდეთ წინა სახელურს მარცხენა ხელი და ძირითად სახელურს - მარჯვენა.
- თითები უნდა შემოეჭდოს სახელურს, ცერა თითი წინა სახელურის ქვედა მხარეს.

▲ გაფრთხილება: არასოდეს გამოიყენოთ მარცხენა-ხელის (გადანაცვლებული) დაჭერა ან ნებისმიერი სხვა პოზიცია, რომელიც მოაყოლებს თქვენს სხეულს ან მკლავს ჯაჭვის ხაზის გასწვრივ.

▲ გაფრთხილება: არ მოათავსოთ ტრიგერზე მარცხენა ხელი, ხოლო წინა სახელურზე კი - მარცხენა. არასოდეს დაუშვათ თქვენი სხეულის რომელიმე ნაწილის ჯაჭვის პირისპირ მოთავსება ხერხის გამოყენებისას (ნახ. L).

KA

ჯაჭვის შეზეთვის შემოწმება (ნახ. M)

შენიშვნა: დარწმუნდით, რომ ჯაჭვური ხერხის ზეთის საცავი სავსეა ზეთის სათანადო მოცულობით.

1. დაიჭირეთ ძელი ღია ფერის მქონე ზედაპირის პირისპირ.
2. ჩართეთ ხერხი. ღია ფერის ზედაპირზე 1 წუთის შემდეგ დაინახავთ ზეთის გამჭირვალე ზოლს, თუ ჯაჭვის შეზეთვის პროცესი გამართულია.
3. თუ ჯაჭვის ზეთის ზოლი ჯერ კიდევ არ ჩანს ღია ფერის ზედაპირზე, მიმართეთ სექციას „ზეთის დენის რეგულირება“, რათა გაასწოროთ ზეთის მიწოდება.

ხერხის გამოყენება ხეზე ასვლის შემთხვევაში

▲ გაფრთხილება: მუშაობისას ან ცოცვისას გირჩევთ გამოიყენოთ დამატებითი საყრდენი, მაგალითად, ფეხის უზანგი, რეგულირებადი ღვედი, რათა თავიდან აიცილოთ არასაჭირო ქანაობა ან ჭრის დროს ზიანის მიყენება.

გამოყენებამდე გათხოვთ, შეამოწმოთ შემდეგი რამ:

- შეამოწმეთ **ჯაჭვის კბილანაზე (N-1)** არსებული ცვეთის ნიშნები. თუ ისინი 0.5 მმ-ზე მეტი სიღრმისაა: დაუკავშირდით თქვენს EGO მომსახურების ცენტრს ჯაჭვის კბილანის შესაცვლელად.
- ასევე შეამოწმეთ სამუხრუჭე სისტემა, თუ **სამუხრუჭო ნაფენის (N-2)** ცვეთის ნიშნები არათანაბარია, დაუკავშირდით თქვენს EGO მომსახურების ცენტრს, რათა შეცვალოს ნაფენი. (ნახ. N)

N-1	ჯაჭვის კბილანა	N-2	სამუხრუჭო ნაფენი
-----	----------------	-----	------------------

- ხერხის ძელის შესამოწმებლად იხილეთ შემდეგი სექცია: **ხერხის ძელის ექსპლუატაცია**
- ხერხის ჯაჭვის შესამოწმებლად იხილეთ შემდეგი სექცია: **ჯაჭვის მოვლის წესი**
- ხერხის ჯაჭვის მუხრუჭის შესამოწმებლად იხილეთ შემდეგი სექცია: **არსებული უკუღმობის უსაფრთხოების მოწყობილობები ამ**

ჯაჭვურ ხერხზე

- სამართავი დილაკების შესამოწმებლად იხილეთ შემდეგი სექცია: **ჯაჭვური ხერხის ჩართვა/გამორთვა**
- ჯაჭვის შეზეთვის ხარისხის შესამოწმებლად იხილეთ შემდეგი სექცია: **ჯაჭვის შეზეთვის შემოწმება**

მოვლა

გაწმენდა

- ყოველი გამოყენების შემდეგ მოაცილეთ ნარჩენი ჯაჭვს და ძელს რბილი ფუნჯით. გადაწმინდეთ ჯაჭვური ხერხის ზედაპირი სუფთა, ნოტიო ქსოვილით და რბილი სარეცხი საშუალებით.
- საფუძვლიანი წმენდის მიზნით, მოხსენით ხერხს გვერდითა ხუფი, ძელი და ხერხის ჯაჭვი და შემდეგ გამოიყენეთ რბილი ფუნჯი, რათა საფუძვლიანად მოაცილოთ ნარჩენები ძელიდან, ხერხის ჯაჭვიდან და ხერხზე არსებული კბილანიდან.
- ყოველთვის ამოწმინდეთ ნაფოტები, ნახერხი და ჭუჭყი ძელის სიღრუედან, როდესაც ცვლით ხერხის ჯაჭვს.

მტერისგან გასუფთავება

1. მოხსენით აკუმულატორი, ავადეთ ხერხს გაფრთხილება და დაუჭირეთ ზეთის საცავის ხუფს.
2. ჩართეთ ხერხის მუხრუჭი
3. გამოიყენეთ კომბინირებული ქანჩის გასაღები (არის კომპლექტში), რათა მოუშვათ ხრახნი **მტერის მოსაცილებელი ხუფზე (O-1)** და გახსნათ ის (ნახ. O1).
4. გაწმინდეთ გამაგრილებელ ვენტილატორში დაგროვილი მტერი და ნახერხი შეკუმშული მშრალი ჰაერის გამოყენებით, დაუბერეთ მოპირდაპირე მხარეს მდებარე **ჰაერის ჭავლის შესავალიდან (O-2)**. (ნახ. O2).

O-1	მტერის მოსაცილებელი ხუფი	O-2	ჰაერის ჭავლის შესავალი
-----	--------------------------	-----	------------------------

ხერხის ძელის ექსპლუატაცია

როდესაც ხერხის ძელს დაეტყობა ცვეთის ნიშნები, მოხსენით ის ჯაჭვური ხერხის ელექტრულ თავს და მოაბრუნეთ ხელახალი აწყობისთვის (ნახ. P1), რის შედეგადაც ცვეთა გადანაწილდება მის სრულ არეზე და გაიზრდება მისი მუშა ციკლი.

ხერხის ძელი (**ძელის რელსებისა (P-1)** და **შესაზეთი ნასერტის (P-2)** ჩათვლით) უნდა გაიწმინდოს ყოველ დღე სარგებლობისას და შემოწმდეს ცვეთასა და დაზიანებაზე (ნახ. P2). ხერხის ძელის რელსზე ცალმხრივი ცვეთა და უსწორმასწორობები არის ძელის ცვეთის ნორმალური პროცესი. მსგავსი ტიპის უსწორმასწორობები უნდა გაიქცეოს მათი გამოჩენისთანავე. ქვევით ჩამოთვლილი პრობლემების მქონე ძელი უნდა შეიცვალოს.

ძელის რელსების მიგნით არსებული ცვეთა, რომელიც საშუალებას აძლევს ჯაჭვის მობრუნდეს.

- გაღუნული ხერხის ძელი.
- გაზარული ან გატეხილი რელსები.
- გაშლილი რელსები.

ძელს გააჩნია კბილანა მის წვერთან. კბილანის შეზეთვა საჭიროა ყოველკვირეულად ზეთანი შპრიცით, რათა გაზარდოთ ძელის სიცოცხლის ხანგრძლიობა (ნახ P3 და P4). დაატრიალეთ

ცხვირის კბილანა (P-3), როდესაც ასხავთ **გამჭირვალე ყვითელ, გამჭირვალე წითელ ან გამჭირვალე ზეთს შესაზეთ ნასვრეტში (P-4)**, სანამ მთლიანი კბილანა სრულად არ შეიხებება. არ ჩატენოთ ჭუჭყი შესაზეთ ნასვრეტში.

P-1	ძელის რელსები	P-3	კბილანა
P-2	შესაზეთი ნასვრეტი	P-4	შესაზეთი ნასვრეტი

ჯაჭვის მოვლის წესი

გამოიყენეთ მხოლოდ მცირე უკუცემის მქონე ჯაჭვები ამ ხერხზე. სწრაფად მჭრელი ჯაჭვი შეამცირებს უკუცემას სწორი ექსპლუატაციის შემთხვევაში.

სწორად გალესილი ხერხის ჯაჭვი ხერხავს ხეს ძალისხმევის გარეშე, მცირე დაწოლის შემთხვევაშიც კი. არასოდეს გამოიყენოთ ბლაგი ან დაზიანებული ხერხის ჯაჭვი. ბლაგი კბილები ხერხის ჯაჭვზე ზრდიან ფიზიკურ დატვირთვას, ვიბრაციას, იწვევენ არადაამაყოფილებელ ჭრის შედეგებს და იწვევენ ცვეთას.

გლუვი და სწრაფი ხერხისთვის, საჭიროა ჯაჭვის რეგულარული სწორი სერვისი. ჯაჭვი საჭიროებს გალესვას როცა ნახერხი არის მცირე და მტვრის მსგავსი, ხერხზე საჭიროა ძალის დატანება ჭრისას ან ჯაჭვი ჭრის მხოლოდ ერთ მხარეს. თქვენი ჯაჭვის სერვისის დროს დაითვალისწინეთ შემდეგი:

- გვერდითა ფილის არასწორმა დამაგრებამ შესაძლოა გაზარდოს სერიოზული უკუცემის რისკი.
- სიღრმის ნიშნულებიდან დამორება. ძალიან მცირე დამორება ზრდის უკუცემის რისკს. არასაკმარისად მცირე დამორება ამცირებს ხერხვის უნარს.
- თუ მჭრელი კბილები შეეჯახა მყარ საგნებს, როგორცაა ლურსმანი ან ქვა, ან გაიხეხა ხეზე არსებული ტალახის ან ქვიშის მიერ, გააღესინეთ ჯაჭვი კვალიფიციურ სერვისის ტექნიკოსს.

შენიშვნა: რეკომენდებულია ხერხის ჯაჭვის გალესვისა და მოვლის პროცედურის ჩატარება უფლებამოსილი სერვისცენტრების მიერ.

ტრანსპორტირება და შენახვა

- არ შეინახოთ ან არ მოახდინოთ ჯაჭვური ხერხის ტრანსპორტირება ჩართულ მდგომარეობაში. ყოველთვის მოხსენით დენის ჩანგალი შენახვამდე ან ტრანსპორტირებამდე.
- ყოველთვის გაუქეთეთ ძელის და ჯაჭვის შალითა ხერხის მის შენახვამდე ან ტრანსპორტირებამდე. გამოიჩინეთ სიფრთხილე ჯაჭვის მჭრელ რგოლებთან მიმართებაში.
- საფულდავლოდ გაწმინდეთ ჯაჭვური ხერხი შენახვამდე. შეინახეთ ჯაჭვური ხერხი შენობაში მშრალ, დაკეტილ და/ან ბავშვებისთვის მიუწვდომელ ადგილას.
- მოაცილეთ კოროზიის გამომწვევი ნივთიერებები, როგორცაა სოფლის მეურნეობაში გამოყენებული ქიმიკატები და მოყინვის საწინააღმდეგო ტექნიკური მარილი.

გარემოს დაცვა



WEEE (ელექტრული მოწყობილობების ნარჩენების მართვა). არ მოათავსოთ ელექტრული მოწყობილობა, დამტენი და აკუმულატორი / მისი ბატარეები საყოფაცხოვრებო ნაგავში! მიუტანეთ ისინი ავტორიზირებულ ნარჩენების გადამამუშავებელს და მოახდინეთ ასეთი ნარჩენის განცალკევებულად შეგროვება. ელექტრული ხელსაწყოები უნდა ჩაბარდეს ნარჩენების გადამამუშავებელ ორგანოს გარემოს დაცვის ნორმების გათვალისწინებით.



გაუმართაობის დიაგნოსტიკა

პრობლემა	მიზეზი	გადაჭრის გზა
მოტორი არ იროტვება.	<ul style="list-style-type: none"> აკუმულატორის შალითის დენის ჩანგალი არ არის შეერთებული ხერხზე. აკუმულატორის შალითასა და აკუმულატორს შორის არ არის ელექტრული კონტაქტი. ჩამკეტი ენაკი არ არის აკეცილი. “ON-OFF” ჩამრთველი “OFF” პოზიციაშია. ჯაჭვის მუხრუჭი ჩართულია. 	<ul style="list-style-type: none"> შეაერთეთ აკუმულატორის შალითის დენის ჩანგალი ხერხზე. მოხსენით აკუმულატორი, შეამოწმეთ კონტაქტები და კვლავ მოათავსეთ იგი უკან. ჩართვამდე აკეცეთ ჩამკეტი ენაკი. დააჭირეთ ჩამრთველს “ON/OFF” და გადაიყვანეთ “ON” პოზიციაში. მოქაჩეთ ხერხის უკუცემის მუხრუჭის ლაფეტი ხერხის წინა სახელურისკენ, რათა მოათავსოთ იგი სამუშაო პოზიციაში.
ჯაჭვური ხერხი ჩერდება მუშაობის პროცესში.	<ul style="list-style-type: none"> აკუმულატორი ან ხერხი ზედმეტად გაცხელებულია. ხერხი გადატვირთულია. ზედმეტად ბევრი ნახერხი ბლოკავს სავენტილაციო არხს. აკუმულატორის ბლოკი დაცლილია. 	<ul style="list-style-type: none"> გააგრილეთ აკუმულატორი ან ხერხი. შეამცირეთ დატვირთვა. გაასუფთავეთ მტვრისგან. იხილეთ სექცია “მტვრისგან გასუფთავება”. დატენეთ აკუმულატორი.
ჯაჭვის მუხრუჭი არ ფუნქციონირებს	<ul style="list-style-type: none"> უცხო სხეულები უშლის ხერხის უკუცემის მუხრუჭის სახელურს სრულ გადაადგილებას შესაძლოა ჯაჭვის მუხრუჭის ფუნქციონირების დარღვევა 	<ul style="list-style-type: none"> მოაცილეთ უცხო სხეულები ჯაჭვის მუხრუჭის მექანიზმს. მიმართეთ EGO-ს კლიენტთა მომსახურების ცენტრს შეკეთებისთვის.
ჭრის დროს ხერხის შეჩეუვა არ ხდება.	<ul style="list-style-type: none"> ჯაჭვის ზეთის საცავი ცარიელია. ჯაჭვის ძელის ზეთის გამოსასვლელი დახშულია. ზეთის გამყარება დაბალ ტემპერატურაზე. 	<ul style="list-style-type: none"> ძელის და ჯაჭვის ზეთის ავსება. მოაცილეთ მტვერი ზეთის გამოსავალს. შეცვალეთ შესაბამისი ტიპის ზეთით (დაბალ ტემპერატურაზე მუშაობისთვის).

KA

200

უკაბელო ხერხი ზედა სახელურიანით — CSX3000

პრობლემა	მიზეზი	გადაჭრის გზა
ზეთის სიმცირის ინდიკატორი წიმციმებს წითელი შუქით ან ანათებს არასათანადო შუქით, როცა ზეთის საცავი ზეთით არის სავსე.	<ul style="list-style-type: none"> ზერხის კონკრეტული კუთხით დაჭერა აფერხებს ზეთის საცავიდან ზეთის მიღში მის გადასვლას. ზეთის ეს კატეგორია და ფერი არ არის რეკომენდებული. ზეთის სიმცირის ინდიკატორი კვლავ წითლად ციმციმებს. 	<ul style="list-style-type: none"> მოათავსეთ ზერხი ჰორიზონტალურ ბრტყელ ზედაპირზე და კიდევ სცადეთ. გამოიყენეთ რეკომენდებული გამჭვირვალე ყვითელი, გამჭვირვალე წითელი ან გამჭვირვალე ზეთი. მიმართეთ EGO-ს კლიენტთა მომსახურების ცენტრს შეკეთებისთვის
ზეთის სიმცირის ინდიკატორი არ ფუნქციონირებს, როცა ზეთის საცავში ცოტა ზეთია დარჩენილი.	<ul style="list-style-type: none"> ზეთის კატეგორიისა და ფერის იდენტიფიცირება ვერ მოხდა. ზეთის მცირე ოდენობა ისევ არის დარჩენილი ზეთის საცავსა ან მიღში. ზეთის სიმცირის ინდიკატორი კვლავ არ მუშაობს ზემოთ ჩამოთვლილი მიზეზების გამო. 	<ul style="list-style-type: none"> გამოიყენეთ რეკომენდებული გამჭვირვალე ყვითელი, გამჭვირვალე წითელი ან გამჭვირვალე ზეთი. მცირე ხნით ისევ გამოიყენეთ ზერხი და დააკვირდით ზეთის სიმცირის ინდიკატორს მიმართეთ EGO-ს კლიენტთა მომსახურების ცენტრს შეკეთებისთვის.

გარანტია

EGO-ს გარანტიის მომსახურების წესი

გთხოვთ ეწვიოთ ვებ-გვერდს egopowerplus.com, რათა მიიღოთ EGO-ს საგარანტიო მომსახურების სრული პირობები.

PROČITAJTE SVA UPUTSTVA!**PROČITAJTE PRIRUČNIK ZA RUKOVAOCA**

⚠ Rezidualni rizik! Osobe sa elektronskim uređajima, poput pejsmejкера, treba da konsultuju svog lekara (svoje lekare) pre upotrebe ovog proizvoda. Rukovanje električnom opremom u neposrednoj blizini srčanog pejsmejкера moglo bi da izazove smetnje ili otkazivanje pejsmejкера.

SIGURNOSNI SIMBOL

Svrha sigurnosnih simbola je da vam skrenu pažnju na moguće opasnosti. Sigurnosni simboli i objašnjenja uz njih zaslužuju vašu pognu pažnju i shvatanje. Simboli upozorenja, sami po sebi, ne eliminišu nikakve opasnosti. Uputstva i upozorenja koja oni daju nisu zamena za odgovarajuće mere sprečavanja nezgoda.

⚠ UPOZORENJE: Obavezno pročitajte i shvatite sva sigurnosna uputstva u ovom Priručniku za rukovaoca, obuhvatajući i sve simbole sigurnosnih upozorenja poput „**OPASNOST**“, „**UPOZORENJE**“, i „**OPREZ**“ pre korišćenja ovog alata. Nepridržavanje svih dolenavedenih uputstava može da dovede do strujnog udara, požara i/ili ozbiljne telesne povrede.

ZNAČENJE SIMBOLA

Ova stranica prikazuje i opisuje sigurnosne simbole koji mogu da se pojave na ovom proizvodu. Pročitajte, shvatite i sledite sva uputstva na mašini pre no što pokušate da je sklopite i da rukujete njom.

SIGURNOSNI SIMBOLI

Simbol upozorenja



Da bi smanjio rizik od povreda, korisnik pre korišćenja ovog proizvoda mora pročitati i shvatiti priručnik za rukovaoca.



Nosite radne rukavice napravljene od izdržljivog materijala



Nosite odeću koja nije labava. Ne nosite šal, kravatu ili nakit



Nosite sigurnosnu obuću koja se ne klizi



Nosite zaštitne naočare koje dobro prijanjaju, čepove za uši ili štitičke za uši i sigurnosni šlem sa kaišem za bradu



Budite svesni povratnog udara - kontakt vrha vodilice sa bilo kakvim predmetom treba izbegavati



Dvoručna drška - uvek koristite obe ruke kad rukujete motornom testerom.



Povratni udarac vrha vodilice - kontakt vrha može da izazove iznenadno pomeranje vodilice nagore i unazad, što može da izazove ozbiljnu povredu.



Informacije o vodilici.



Otpadni električni proizvodi ne smeju da se odlažu sa otpadom iz domaćinstva. Odnosite ih u ovlašćeni pogon za reciklažu.



Ne izlažite kiši.

SR

V Volt



Buka



Jednosmerna struja



CE

SPECIFIKACIJE

Voltaža	56 V	
Preporučena radna temperatura:	Od -15 °C do +40 °C	
Preporučena temperatura skladištenja:	Od -40 °C do +70 °C	
Optimalna temperatura punjenja	Od 5 °C do 40 °C	
Dužina sečenja	300 mm	
Brzina lanca	20 m/s	
Korak lanca	3/8" (9,5 mm)	
Dubina lanca	1,1 mm	
Tip lanca	AC1200 (preporučeno) AC1400 (kompatibilno) AC1600 (kompatibilno)	
Tip vodilice	AG1200 (preporučeno) AG1400 (kompatibilno) AG1600 (kompatibilno)	
Težina (bez baterije, navlake za lanac)	3,5 kg	
Izmereni nivo zvučne snage L_{WA}	98,8 dB(A) K=3 dB(A)	
Nivo zvučnog pritiska na mestu rada L_{PA}	88,1 dB(A) K=3 dB(A)	
Garantovan nivo jačine zvuka L_{WA} (prema 2000/14/EC)	102dB(A)	
Vibracije a_h	Prednja drška	1,73 m/s ² K= 1,5 m/s
	Glavna drška	2,21 m/s ² K= 1,5 m/s

- Deklarisana ukupna vrednost vibracije je izmerena u skladu sa standardnim metodom testiranja i može se koristiti za upoređivanje jednog alata sa drugim;
- Deklarisana ukupna vrednost vibracije može se koristiti i u preliminarnoj proceni izlaganja.

NAPOMENA: Emisija vibracija tokom stvarne upotrebe električnog alata može da se razlikuje od deklarisanе vrednosti u kojoj se alat koristi. Da bi se rukovalac zaštitio, korisnik bi trebalo da nosi rukavice i štitnike za uši u stvarnim uslovima korišćenja.

OPIS

UPOZNAJTE SVOJU MOTORNU TESTERU (slika A1)

1. Lanac
2. Lopatica kočnice povratnog udarca
3. Jezičak za zaključavanje
4. Glavna drška
5. Okidač varijabilne brzine
6. Rupica
7. Indikator baterija
8. Indikator niskog nivoa ulja
9. Prednja drška
10. Poklopac rezervoara za ulje
11. Vodilica
12. Rupica za podmazivanje
13. Lančanik
14. Vijak za zatezanje
15. Sigurnosni prekidač ON-OFF
16. Zavrtanj vodilice
17. Navrtanj vodilice
18. Sklop bočnog poklopca
19. Poklopac vijka za podešavanje protoka ulja
20. Poklopac za uklanjanje prašine
21. Mehanizam za izbacivanje
22. Električni kontakti
23. Dugme za oslobađanje baterije
24. Kukica za pojas
25. Kopča
26. Kaiš
27. Uže
28. Prsten 1
29. Kukica testere
30. Utikač napajanja
31. Prsten 2
32. Navlaka za lanac
33. Kombinovani ključ

POPIS PAKOVANJA (SLIKA A1)

SASTAVLJANJE


SKLAPANJE/RASKLAPANJE VODILICE I LANCA

⚠ UPOZORENJE: Uvek odvojite utikač napajanja i stavite zaštitne rukavice pre sklapanja ili održavanja proizvoda.

⚠ UPOZORENJE: Pročitajte sva sigurnosna upozorenja, uputstva, ilustracije i specifikacije priložene uz ovaj električni alat. Nepridržavanje svih dole navedenih uputstava može da dovede do strujnog udara, požara i/ili ozbiljne povrede.

SR

Sačuvajte sva upozorenja i uputstva za buduću upotrebu.

- Vodite računa da lopatica kočnice povratnog udarca bude u položaju .
- Odvratite **navrtanj vodilice (A-17)** suprotno kazaljki na satu da biste skinuli **sklop bočnog poklopca (A-18)**.
- Položite lanac testere u petlju na ravnu površinu i izravnajte sve vijuge. (slika B1)
- Stavite **pogonske alke (B-1)** u **žleb (B-2)** na vodilici i napravite petlju od lanca na zadnjoj strani vodilice. (slika B2)
- Držite lanac na njegovom mestu na vodilici i stavite petlju oko **lančanika (B-3)** pogonske glave pa proverite sledeće stavke (slika B3):
 - Pogonske alke lanca su smeštene u zubima **lančanika (B-3)**.
 - Vijak za zatezanje (B-4)** i **zavrtanj vodilice (B-5)** se nalaze u prerezu vodilice. **Igla za zatezanje (B-6)** je zakačena u rupici na vodilici.

NAPOMENA: Vodite računa da smer strelica na zubima lanca testere uvek bude okrenut unapred (slika B3).

- Pogledajte odeljak **"ZATEZANJE LANCA TESTERE"** da biste osigurali da lanac bude pravilno sklopljen bez sputavanja.
- Poravnajte dve **šipke vodilice (B-7)** na sklopu bočnog poklopca sa odgovarajućim **rupicama (B-8)** na testeri, a zatim namestite sklop bočnog poklopca. (slika B4)
- Zategnite navrtanj vodilice.

B-1	Pogonske alke	B-5	Zavrtanj vodilice
B-2	Žleb	B-6	Igla za zatezanje
B-3	Lančanik	B-7	Šipke vodilice
B-4	Vijak za zatezanje	B-8	Rupice

NAPOMENA: Ako vodilicu treba zameniti, rasklopite sklop bočnog poklopca i ponovo ga sklopite sa novom vodilicom, kako je prikazano na slici C.

RUKOVANJE

PRIMENA

- Ova motorna testera je dizajnirana specifično za sečenje i održavanje u krošnj.



Ovu testeru treba da koriste samo osobe koje su specijalno kvalifikovane za rad održavanja drveća.

NAPOMENA: Preporučuje se da početnici treba, kao minimum, da uvezbavaju sečenje trupaca na nogarima.

ZATEZANJE LANCA TESTERE

UPOZORENJE: Nikad ne dodirujte ili podešavajte lanac dok motor radi. Lanac testere je veoma oštar; uvek nosite zaštitne rukavice kad radite održavanje na lancu.

Lanac testere se širi ili skuplja tokom normalnog rukovanja testerom. Zategnutost lanca se menja kao posledica toga. Tokom rada redovno proveravajte zategnutost lanca i podesite je ako je neophodno.

- Isključite motornu testeru, aktivirajte kočnicu lanca i odvojite utikač napajanja.
- Olabavite navrtanj vodilice, tako da vodilica može slobodno da se kreće za buduće podešavanje.
- Držite nos vodilice gore, pa podesite vijak za zatezanje dok se ne dese sledeće stvari:
 - Lanac u sredini vodilice visi oko 1-2 mm (slika D).
 - Deaktivirajte kočnicu lanca, osigurajte da lanac može da se povuče duž vodilice koristeći dva prsta.

NAPOMENA: Pažljivo uradite ovaj korak da biste izbegli telesne povrede. Pošto ovaj DC motor sadrži magnetni materijal, za razliku od konvencionalne benzinske motorne testere, kad pokrećete lanac testere pomoću dva prsta, osetićete izvesnu količinu otpora. Neće ići tako glatko kao kod benzinske motorne testere.

- Držite nos vodilice gore i zategnite navrtanj vodilice.

NAPOMENA: Ako lanac u sredini vodilice ne visi 1-2 mm, podesite zategnutost lanca.

PUNJENJE REZERVOARA ZA ULJE

- Odvojite utikač napajanja od motorne testere.
- Postavite motornu testeru na bočnu stranu na čvrstu, ravnu površinu, tako da kapica rezervoara za ulje bude okrenuta nagore. Otvorite kapicu rezervoara za ulje. Ako je suviše zategnuta, koristite prerez na (priloženom) kombinovanom ključu da je odvmete (slika E)
- Pažljivo sipajte ulje u rezervoar za ulje. Napunite do donjeg dela grlića. Obrišite eventualni višak ulja i zatvorite.

NAPOMENA:

- U motornoj testeri nema ulja u vreme kupovine. Suštinski je važno napuniti rezervoar uljem pre upotrebe. Lanac se automatski podmazuje uljem tokom rada.
- Ona je specifično dizajnirana da pruži nisko trenje i brže sečenje.
- Nikad ne koristite ulje ili druge lubrikante koji nisu specifično dizajnirani za korišćenje na vodilici i lancu. To može da dovede do zapušnja u sistemu za ulje, što može da izazove prevremeno habanje vodilice i lanca.

PODEŠAVANJE PROTOKA ULJA (slika F)

- Ova testera je opremljena **vijkom za podešavanje protoka ulja (F-1)**, koji se nalazi na donjem delu alata i koristi se za podešavanje protoka ulja za podmazivanje lanca, vodilice i sistema sečenja. Povećajte ili smanjite protok ulja u smeru strelica, kako je označeno na kućištu.

LED INDIKATOR NA MOTORNOJ TESTERI

Motorna testera je opremljena sa 2 LED indikatora koji pokazuju status ulja i nivo napunjenosti baterija.

LED indikator	Značenje	Akcija	
ator niskog nivoa ulja (A-8)	Bljeska crveno	Nestašica ulja	Napunite rezervoar za ulje
	Isključeno	Ima ulja	/
Indikator baterije (A-7)	Svetli zeleno	Baterija ima napajanje	/
	Bljeska zeleno	Baterija je skoro ispražnjena i treba odmah da se puni.	Napunite bateriju

PRIČVRŠČIVANJE FUTROLE BATERIJE NA REMENE ZA PENJANJE

Ova motorna testera se isporučuje sa futrolom za bateriju koja se koristi za nošenje baterije i omogućava pričvršćivanje na remene za penjanje (nisu priloženi).

NAPOMENA: Čvrsto pričvrstite futrolu za bateriju na remene za penjanje, pre navlačenja remena za penjanje na sebe.

1. Potražite odgovarajuće mesto za kačenje ove futrole za bateriju na remene za penjanje; okačite futrolu za bateriju na remene za penjanje pomoću **kukice za pojas (G-1)**. (slika G1)
2. Omotajte pojas oko remena za penjanje da biste fiksirali futrolu za bateriju na njenom mestu (slika G2 i G3).
3. Pričvrstite dva **prstena (G-2)** sigurnosnog užeta na remene za penjanje pomoću dva karabinera (nisu priloženi), kako je prikazano na slici G4.

G-1	Kukica za pojas	G-2	Prstenovi
-----	-----------------	-----	-----------

NAPOMENA:

- Kad se penjete na drvo, pričvrstite prsten 1 i 2 sigurnosnog užeta na remene za penjanje pomoću karabinera (nisu priloženi) (slika G5).

- Kad je alat u upotrebi, odvojite prsten 2 od remena za penjanje i držite testeru sa obe ruke da biste izvršili sečenje (slika G6).

PRIČVRŠČIVANJE TESTERE NA FUTROLU ZA BATERIJU

Pričvrstite **kukicu testere (H-2)** na sigurnosnom užetu na **rupicu (H-1)**. (slika H)

H-1	rupica	H-2	kukica testere
-----	--------	-----	----------------

INSTALIRANJE/VAĐENJE BATERIJE

NAPOMENA: Potpuno napunite bateriju pre prve upotrebe.

Za instalaciju (slika I1)

Poravnajte rebra na bateriji sa montažnim prorezima a zatim gurnite bateriju u futrolu za bateriju dok ne škljocne na svoje mesto.

Za uklanjanje (slika I2)

Pritisnite dugme za otključavanje baterije palcem da biste izvadili bateriju.

POKRETANJE/ZAUSTAVLJANJE MOTORNE TESTERE

Za pokretanje


1. Poravnajte oznake „▲“ na **utikaču napajanja (J-2)** sa **strujnom utičnicom (J-1)** na motornoj testeri, a zatim umetnite utikač u motoru testeru dok **ZELENA** zaptivka na utikaču **POTPUNO** ne nestane u utičnici (slika J1).
2. Pritisnite prekidač „ON/OFF“ u položaj „ON“ (slika J2).
3. Povucite lopaticu kočnice povratnog udarca prema glavnoj drški u položaj .
4. Pomerite **jezičak za zaključavanje (J-3)** unapred a zatim pritisnite **okidač varijabilne brzine (J-4)**. Što više povlačite okidač varijabilne brzine nagore, to je veća rotaciona brzina lanca testere (slika J3).

J-1	Strujna utičnica	J-3	Jezičak za zaključavanje
J-2	Utikač napajanja	J-4	Okidač varijabilne brzine

Za zaustavljanje

1. Pustite okidač varijabilne brzine da biste zaustavili motoru testeru.

NAPOMENA: Lanac testere će nastaviti da se rotira još kratko vreme posle puštanja okidača varijabilne brzine. Vodite računa da izbegavate kontakt nakon puštanja okidača varijabilne brzine i prilikom spuštanja motorne testere na tlo.

- Gurnite lopaticu kočnice povratnog udara unapred u položaj kočenja „“.
- Prebacite prekidač „ON-OFF“ u položaj „OFF“

⚠ UPOZORENJE: Uvek odvojite utikač napajanja od motome testere tokom pauza u radu i posle završetka rada.

PRIPREMA ZA SEČENJE

Pravilan hvat na drškama (slika K)

- Nosite rukavice koje se ne klizu zbog maksimalnog hvata i zaštite.
- Uvek hvatajte prednju dršku levom rukom a glavnu dršku desnom rukom.
- Prsti treba da obuhvate dršku a palac da se savije ispod prednje drške.

⚠ UPOZORENJE: Nikad ne koristite levoruki (ukršteni) hvat ili bilo koji stav koji bi postavio vaše telo ili ruku preko linije lanca.

⚠ UPOZORENJE: Ne rukujte okidačem pomoću leve ruke dok desnom rukom držite prednju dršku. Nikad ne dozvolite da vam bilo koji deo tela bude u liniji lanca dok rukujete motornom testerom (slika L).

PROVERAVANJE PODMAZANOSTI LANCA (slika M)

NAPOMENA: Osigurajte da je rezervoar za ulje na motornoj testeru napunjen odgovarajućom količinom ulja za lanac.

- Držite vodilicu iznad površine svetle boje.
- Uključite testeru. Videćete prozirnu liniju ulja na površini svetle boje posle 1 minuta ako podmazivanje lanca funkcioniše pravilno.
- Ako ulje za lanac i dalje nije vidljivo na površini svetle boje, pogledajte odeljak „PODEŠAVANJE PROTOKA ULJA“ da biste ga podesili.

RAD U KROŠNJI

⚠ UPOZORENJE: dok radite ili se penjete, preporučuje se korišćenje dodatne potpore, poput stremena za stopala, podesivog konopca, da bi se sprečilo ljuljanje ili nezgoda sa sečenjem.

Pre upotrebe, proverite sledeće stavke:

- Proverite znake habanja na **lančaniku (N-1)**. Ako su znaci habanja dublji od 0,5 mm: obratite se servisu EGO dilera radi zamene lančanika.
- Takođe proverite sistem kočenja. Ako su znaci habanja na **oblozi kočnice (N-2)** neravnomerni, obratite se servisu EGO dilera jer se obloga kočnice mora zameniti. (slika N)

N-1	Lančanik	N-2	Obloga kočnice
-----	----------	-----	----------------

- Za proveru vodilice, pogledajte odgovarajući odeljak: **ODRŽAVANJE VODILICE**
- Za proveru lanca testere, pogledajte odgovarajući odeljak: **ODRŽAVANJE LANCA**
- Za testiranje kočnice lanca, pogledajte odgovarajući odeljak: **SIGURNOSNI UREĐAJI ZA POVRATNI UDARAC NA OVOJ**

MOTORNOJ TESTERI

- Za proveru kontrola, pogledajte odgovarajući odeljak: **POKRETANJE/ZAUSTAVLJANJE MOTORNE TESTERE**
- Za proveru podmazanosti lanca, pogledajte odgovarajući odeljak: **PROVERAVANJE PODMAZANOSTI LANCA**

ODRŽAVANJE

ČIŠĆENJE

- Nakon svake upotrebe, očistite prljavštinu sa lanca i vodilice pomoću meke četke. Obrišite površinu motome testere čistom krpom navlaženom rastvorom blagog sapuna.
- Za dubinsko čišćenje, uklonite sklop bočnog poklopca, skinite vodilicu i lanac testere i zatim pomoću meke četke temeljno uklonite prljavštinu sa vodilice, lanca testere i pogonskog lančanika na pogonskoj glavi motorne testere.
- Uvek očistite iverje, piljevinu i zemlju iz žleba vodilice kad zamenjujete lanac.

UKLANJANJE PRAŠINE

- Odvojite utikač napajanja, pustite da se motorna testera ohladi i zategnite kapicu rezervoara za ulje.
- Aktivirajte kočnicu testere
- Pomoću (priloženog) kombinovanog ključa olabavite vijak na **poklopcu za uklanjanje prašine (O-1)** da biste ga otvorili (slika O1).
- Očistite piljevinu i iverje koji su se nagomilali u rashladnom peraju pomoću komprimovanog suvog vazduha; duvajte sa suprotne strane **ulaza vazduha (O-2)**. (slika O2).

O-1	Poklopac za uklanjanje prašine	O-2	Ulaz vazduha
-----	--------------------------------	-----	--------------

ODRŽAVANJE VODILICE

Kad vodilica pokaže znake habanja, rasklopite je sa pogonske glave motorne testere i obrnite je za ponovno sklapanje (slika P1), što će rasporediti habanje radi maksimalnog radnog veka vodilice.

Vodilicu treba čistiti (obuhvatajući i **šine vodilice (P-1)** i **rupicu za podmazivanje (P-2)** svakog dana kad se koristi i proveravati da li ima habanja i oštećenja (slika P2). Krivljenje ili deformisanje šina vodilice je normalan proces habanja vodilice. Takve nedostatke treba izravnati turpijom čim se pojave. Vodilicu sa bilo kojim od sledećih nedostataka treba zameniti.

Habanje unutar šina vodilice koje omogućava lancu da leži bočno.

- Savijena vodilica.
- Napukle ili polomljene šine.
- Raširene šine.

Vodilica ima lančanik na vrhu. Lančanik se mora svake nedelje podmazivati špricom za mazivo da bi se produžio radni vek vodilice (slika P3 i P4). Okrećite **nos lančanika (P-3)** dok pumpate **prozirno žuto, prozirno crveno ili prozirno mazivo u rupicu za podmazivanje (P-4)** dok ceo lančanik ne dobije novo mazivo. Ne gurajte prljavštinu u rupicu.

P-1	Šine vodilice	P-3	Lančanik
P-2	Rupica za podmazivanje	P-4	Rupica za podmazivanje

ODRŽAVANJE LANCA

Na ovoj testeri koristite samo lance sa malim povratnim udarcem. Ovaj brzi lanac za sečenje će omogućiti smanjenje povratnog udarca ako se pravilno održava.

Pravilno naoštren lanac seče drvo bez napora, čak i sa veoma malo pritiska. Nikad ne koristite tup ili oštećen lanac. Tup zub lanca testere dovodi do povećanog fizičkog naprezanja, povećanih vibracija, nezadovoljavajućih rezultata sečenja i povećanog habanja.

Za glatko i brzo sečenje, lanac treba pravilno održavati. Lancu je potrebno oštrenje kad je iverje sitno i praškasto, kad se lanac mora siliti kroz drvo tokom sečenja ili kad lanac seče na jednu stranu. Tokom održavanja lanca, uzmite u obzir sledeće:

- Nepravilan ugao turpjanja bočne ploče može da poveća rizik od ozbiljnog povratnog udarca.
- Zazor merača dubine. Suviše nizak povećava potencijal za povratni udarac. Nedovoljno nizak smanjuje sposobnost sečenja.
- Ako zubi udare tvrde predmete, poput eksera i kamenja, ili ako su izjedeni blatom ili peskom na drvetu, odnesite lanac na oštrenje kod kvalifikovanog servisnog tehničara.

NAPOMENA: preporučuje se da oštrenje i održavanje **lanca testere** radi ovlašćeni servisni centar.

TRANSPORTOVANJE I SKLADIŠTENJE

- Ne skladištite ili transportujte motornu testeru dok radi. Uvek odvojite utikač napajanja pre skladištenja ili transporta.
- Uvek stavite navlaku za vodilicu na vodilicu i lanac pre skladištenja ili transportovanja motorne testere. Budite oprezni da biste izbegli oštre zube lanca.
- Temeljno očistite motornu testeru pre no što je uskladištite. Skladištite motornu testeru u zatvorenom prostoru, na suvom mestu koje je zaključano i/ili nije dostupno deci.
- Držite dalje od korozivnih sredstava poput baštenskih hemikalija i soli za odmrzavanje.

Zaštita životne sredine



WEEE (otpadna električna i elektronska oprema): ne odlažite električnu opremu, potrošene baterije i punjače u kućni otpad! Odnosite ovaj proizvod u ovlašćeni pogon za reciklažu ili ga odvojite od ostalog smeća radi zasebnog prikupljanja. Električni alati moraju se odneti u ekološki prihvatljiv pogon za reciklažu.

REŠAVANJE PROBLEMA

PROBLEM	UZROK	REŠENJE
Motor se ne pokreće.	<ul style="list-style-type: none"> ■ Utikač napajanja iz futrole za bateriju nije spojen na motornu testeru. ■ Nema električnog kontakta između futrole za bateriju i baterije. ■ Jezičak za zaključavanje nije preklapljen nagore. ■ Prekidač „ON-OFF“ je postavljen na „OFF“. ■ Kočnica lanca je aktivirana. 	<ul style="list-style-type: none"> ■ Umetnite utikač napajanja iz futrole za bateriju u motornu testeru. ■ Odvojite bateriju, proverite kontakte i ponovo instalirajte bateriju. ■ Preklopite jezičak za zaključavanje nagore pre pokretanja. ■ Prebacite prekidač „ON-OFF“ na „ON“. ■ Povucite lopaticu kočnice povratnog udarca lanca unazad prema gornjoj drški da bi došla u radni položaj.
Motorna testera prestaje da radi tokom rukovanja.	<ul style="list-style-type: none"> ■ Baterija ili motorna testera su prevrući. ■ Motorna testera je preopterećena. ■ Previše komadića drveta blokira ventilacioni kanal. ■ Baterija je prazna. 	<ul style="list-style-type: none"> ■ Ohladite bateriju ili motornu testeru ■ Smanjite opterećenje. ■ Očistite prašinu. Pogledajte odeljak „UKLANJANJE PRAŠINE“. ■ Napunite bateriju
Kočnica lanca se ne aktivira	<ul style="list-style-type: none"> ■ Priljavština sprečava potpuno kretanje ručice kočnice povratnog udarca lanca ■ Moguć kvar kočnice lanca 	<ul style="list-style-type: none"> ■ Očistite priljavštinu sa spoljašnjeg mehanizma kočnice lanca ■ Obratite se EGO korisničkoj službi za popravku.
Nema podmazivanja uljem tokom sečenja.	<ul style="list-style-type: none"> ■ Rezervoar ulja za lanac je prazan. ■ Izlaz ulja ka vodilici lanca je blokiran ■ Očvršćavanje ulja na niskoj temperaturi 	<ul style="list-style-type: none"> ■ Sipajte mazivo za vodilicu i lanac. ■ Očistite prašinu iz izlaza ulja. ■ Zamenite odgovarajućim uljem za podmazivanje (prikladnim za nisku temperaturu)
Indikator niskog nivoa ulja bljeska u crvenoj boji ili pokazuje abnormalno svetlo kad je rezervoar za ulje napunjen uljem.	<ul style="list-style-type: none"> ■ Specijalan ugao korišćenja mašine sprečava da ulje iz rezervoara za ulje ulazi u cev za ulje. ■ Kategorija i boja ulja nisu preporučene. ■ Indikator niskog nivoa ulja i dalje bljeska crveno. 	<ul style="list-style-type: none"> ■ Postavite motornu testeru ravno i pokušajte ponovo. ■ Koristite preporučeno prozirno žuto, prozirno crveno ili prozirno ulje ■ Obratite se EGO korisničkoj službi za popravku
Indikator niskog nivoa ulja ne radi dok u rezervoaru za ulje nema ulja.	<ul style="list-style-type: none"> ■ Kategorija i boja ulja se ne mogu identifikovati. ■ Mala količina ulja još uvek u rezervoaru za ulje ili cevi za ulje ■ Indikator niskog nivoa ulja i dalje ne radi zbog gornjih razloga. 	<ul style="list-style-type: none"> ■ Koristite preporučeno prozirno žuto, prozirno crveno ili prozirno ulje ■ Koristite motornu testeru neko vreme i onda ponovo proverite indikator niskog nivoa ulja ■ Obratite se EGO korisničkoj službi za popravku.

SR GARANCIJA

EGO POLITIKA GARANCIJE

Posetite veb-lokaciju egopowerplus.com za potpune uslove i odredbe EGO politike garancije.

PROČITAJTE UPUTSTVO U CIJELOSTI!



PROČITAJTE KORISNIČKI PRIRUČNIK.

⚠ Preostale opasnosti! Osobe s elektroničkim uređajima poput srčanih elektrostimulatora prije upotrebe ovog proizvoda trebaju se posavjetovati sa svojim ljekarom. Rad električne opreme u neposrednoj blizini srčanih elektrostimulatora može uzrokovati smetnju ili kvar srčanog elektrostimulatora.

SIGURNOSNI SIMBOL

Svrha sigurnosnih simbola je skretanje pažnje na moguće opasnosti. Sigurnosni simboli i njihova objašnjenja zahtijevaju vašu potpunu pažnju i razumijevanje. Simboli upozorenja sami po sebi ne isključuju opasnost. Uputstva i upozorenja koja simboli pružaju nisu zamjena za propisne mjere za prevenciju nesreća.

⚠ UPOZORENJE! Prije upotrebe ovog alata pobrinite se da sva sigurnosna uputstva u ovom korisničkom priručniku, uključujući sve sigurnosne simbole kao što su “OPASNOST,” “UPOZORENJE,” i “OPREZ” pročitate s razumijevanjem. Zanemarivanje svih uputstava navedenih u nastavku može rezultirati strujnim udarom, požarom i/ili teškim tjelesnim povredama.

ZNAČENJE SIMBOLA

Na ovoj stranici slikovno su prikazani i objašnjeni sigurnosni simboli koji se mogu pojaviti na ovom proizvodu. Prije pokušaja sastavljanja i rukovanja, s razumijevanjem pročitate sva uputstva na proizvodu i pridržavajte ih se.

SIGURNOSNI SIMBOLI



Simbol upozorenja



Radi smanjenja opasnosti od povreda, prije upotrebe ovog proizvoda korisnik treba s razumijevanjem pročitati ovaj korisnički priručnik.



Nosite rukavice za teške uslove rada izrađene od postojećeg materijala.



Nosite usku odjeću. Nemojte nositi šal, kravatu ili nakit.



Nosite neklizajuću sigurnosnu obuću.



Nosite zaštitne naočale uz lice, čepiće za uši ili štitnike za uši i zaštitnu tvrdnu kacigu s trakom za bradu.



Čuvajte se povratnog udara. - Potrebno je izbjegavati kontakt vrha vodilice s predmetima.



Držanje objema rukama - Motornom žagom uvijek rukujte objema rukama.



Povratni udar na vrhu vodilice - Kontakt s vrhom može uzrokovati iznenadno pomjeranje vodilice prema gore i nazad, što može rezultirati teškim povredama.



Informacije o vodilici



Otpadni električni proizvodi ne smiju se odlagati s otpadom iz domaćinstva. Odnosite ih u ovlaštenu centar za reciklažu.



Ne izlažite uređaj kiši.

V

Volt



Buka



Istosmjerna struja



CE

BS

TEHNIČKI PODACI

Napon	56 V	
Preporučena radna temperatura:	-15°C-40°C	
Preporučena temperatura skladištenja:	-40°C-70°C	
Optimalna temperatura punjenja	5°C-40°C	
Dužina rezanja	300mm	
Brzina lanca	20m/s	
Korak lanca	3/8" (9,5mm)	
Veličina karike lanca	1,1 mm	
Tip lanca žage	AC1200 (preporučeno) AC1400 (kompatibilno) AC1600 (kompatibilno)	
Tip vodilice	AG1200 (preporučeno) AG1400 (kompatibilno) AG1600 (kompatibilno)	
Masa (bez kompleta baterija, zaštitne navlake za lanac)	3,5 kg	
Izmjereni nivo zvučne snage L _{WA}	98,8 dB(A) K=3 dB(A)	
Nivo zvučnog pritiska u radnom položaju L _{PA}	88,1 dB(A) K=3 dB(A)	
Zagarantovani nivo zvučne snage L _{WA} (u skladu s Direktivom 2000/14/EZ)	102dB(A)	
Vibracije a _h	Prednji rukohvat	1,73 m/s ² K= 1,5 m/s
	Glavni rukohvat	2,21 m/s ² K= 1,5 m/s

- Deklarisane ukupne vrijednosti vibracija izmjerene su u skladu sa standardnom metodom ispitivanja i mogu se primjenjivati za poređenje jednog alata s drugim.
- Deklarisane ukupne vrijednosti vibracija mogu se primjenjivati i u preliminarnoj procjeni izloženosti.

NAPOMENA! Emisija vibracija tokom aktuelne upotrebe električnog alata može se razlikovati od deklarisanе vrijednosti u kojoj se alat upotrebljavao; Korisnik radi zaštite treba nositi rukavice i štitičke za uši u aktuelnim uslovima upotrebe.

BS

210

AKUMULATORSKA ŽAGA S GORNJOM RUČKOM — CSX3000

OPIS

UPOZNAJTE SVOJU MOTORNU ŽAGU (sl. A1)

1. Lanac žage
2. Ručka kočnice za povratni udar
3. Jezičak za blokadu
4. Glavni rukohvat
5. Okidač za varijabilnu brzinu
6. Ušica
7. Svjetlosni indikator baterije
8. Svjetlosni indikator niskog nivoa ulja
9. Prednji rukohvat
10. Čep spremnika ulja
11. Vodilica
12. Otvor za podmazivanje
13. Lančanik
14. Vijak za zatezanje
15. Sigurnosni prekidač za UKLJUČIVANJE/ ISKLJUČIVANJE
16. Vodeći vijak
17. Matica vodilice
18. Sklop bočnog poklopca
19. Poklopac vijka za podešavanje protoka ulja
20. Poklopac za uklanjanje prašine
21. Mehanizam za izbacivanje
22. Električni kontakti
23. Dugme za oslobađanje baterije
24. Kuka za remen
25. Kopča
26. Traka
27. Sigurnosno uže
28. Prsten 1
29. Kuka za žagu
30. Strujni utikač
31. Prsten 2
32. Zaštitna navlaka za lanac
33. Kombinovani ključ

SADRŽAJ PAKOVANJA (SL. A1)


SASTAVLJANJE

POSTAVLJANJE/SKIDANJE VODILICE I LANCA

⚠ UPOZORENJE! Prije sastavljanja proizvoda ili obavljanja radova održavanja na proizvodu uvijek odspojite strujni utikač i nosite zaštitne rukavice.

⚠ UPOZORENJE! Pročitajte sva sigurnosna upozorenja, uputstva, sve ilustracije i specifikacije isporučene s ovim električnim alatom. Zanemarivanje svih uputstava navedenih u nastavku može rezultirati strujnim udarom, požarom i/ili teškim povredama.

Sačuvajte sva upozorenja i uputstva za buduće potrebe.

1. Uvjerite se da je ručka kočnice za povratni udar postavljena u položaj .
2. Odmrinite maticu vodilice (A-17) u smjeru suprotnom smjeru kretanja kazaljki na satu da skinete **sklop bočnog poklopca (A-18)**.
3. Položite lanac žage kružno na ravnu površinu i ispravite eventualne pregibe. (sl. B3)
4. Stavite pogonske **karike lanca (B-1)** u **žlijeb (B-2)** vodilice tako da se na stražnjoj strani vodilice napravi omča. (sl. B2)
5. Držite lanac u položaju na vodilici i stavite omču oko **lančanika (B-3)** pogonske glave i provjerite sljedeće (sl. B3):
 - a) Pogonske karike lanca nalježu u **zub lančanika (B3)**.
 - b) **Vijak za zatezanje (B-4)** i **vodeći vijak (B-5)** nalaze se u utoru vodilice. **Klin za zatezanje (B-6)** ulegao je u otvor vodilice.

NAPOMENA! Vodite računa da smjerovi strelica na zupcima lanca pile uvijek budu okrenuti prema naprijed (sl. B3).

6. Pogledajte odjeljak "ZATEZANJE LANCA PILE" da budete sigurni da je lanac pravilno sastavljen bez spajanja.
7. Poravnajte dvije **vodeće šipke (B-7)** sklopa bočnog poklopca s odgovarajućim **otvorima (B-8)** na žagi, a zatim pričvrstite sklop bočnog poklopca. (sl. B4)
8. Pritegnite maticu vodilice.

B-1	Pogonske karike	B-5	Vodeći vijak
B-2	Žlijeb	B-6	Klin za zatezanje
B-3	Lančanik	B-7	Vodeće šipke
B-4	Vijak za zatezanje	B-8	Otvori

NAPOMENA! Ako je vodilicu potrebno zamijeniti, skinite sklop bočnog poklopca i ponovo ga postavite s novom vodilicom kako je prikazano na sl. C.

RAD

PRIMJENA

- Ova motorna žaga posebno je predviđena za rezanje i održavanje drveća.



Ovu žagu smiju upotrebljavati samo osobe koje su posebno obučene za radove održavanja drveća.

NAPOMENA! Preporučujemo da korisnik koji prvi put upotrebljava žagu obavi rezanje trupaca na stalku ili ulagaču za žaganje.

ZATEZANJE LANCA ŽAGE

⚠ UPOZORENJE! Nemojte nikada dodirivati ili podešavati lanac dok motor radi. Lanac žage je vrlo oštar; pri obavljanju radova održavanja na lancu uvijek nosite zaštitne rukavice.

Lanac žage se širi ili skuplja tokom normalnog rada žage. Rezultat toga su promjene u zategnutosti lanca. Tokom rada redovno provjeravajte zategnutost lanca i prema potrebi je prilagodite.

1. Isključite motornu žagu, aktivirajte kočnicu lanca i odspojite strujni utikač.
2. Otpustite maticu vodilice tako da se vodilica može slobodno pomjerati radi predstojećeg podešavanja.
3. Držite vrh vodilice podignut i podešavajte vijak za zatezanje do postizanja sljedećeg:
 - a) Progib lanca na sredini vodilice je oko: 1 - 2 mm (sl. D).
 - b) Deaktivirajte kočnicu lanca i uvjerite se da se lanac može povući duž vodilice s dva prsta.

NAPOMENA! Pažljivo obavite ovaj korak kako biste izbjegli tjelesne povrede. Pošto ovaj istosmjerni motor sadrži magnetski materijal, kada lanac žage pokrenete s dva prsta, osjetit ćete određenu otpornost, u poređenju s konvencionalnom benzinskom motornom žagom. Postupak nije tako lagan kao što slučaj s benzinskom motornom žagom.

4. Držite vrh vodilice podignut i pritegnite maticu vodilice.

NAPOMENA! Ako progib lanca na sredini vodilice nije 1 - 2 mm, ponovo podesite zategnutost lanca.

PUNJENJE SPREMNIKA ULJA

1. Odspojite strujni utikač od motorne žage.
2. Motornu žagu položite bočno na čvrstu, ravnu površinu tako da čep spremnika ulja bude okrenut prema gore. Otvorite čep spremnika ulja. Ako je čep previše pritegnut, za otpuštanje čepa upotrijebite glavu s prorezom kombinovanog ključa (u sadržaju isporuke) (sl. E).
3. Pažljivo ulijte ulje u spremnik ulja. Spremnik napunite do donje strane gornjeg ruba. Obrišite višak ulja i zavrnite čep spremnika ulja.

NAPOMENA!

- Motorna žaga nije napunjena uljem u vrijeme kupovine. Prije upotrebe važno je da se spremnik napuni uljem. Tokom rada lanac se automatski podmazuje uljem za lanac.
- To ulje je posebno koncipirano za malo trenje i brže rezove.

BS

- Nemojte nikada upotrebljavati ulja ili druga maziva koji nisu posebno predviđeni za upotrebu za vodilicu i lanac. To može uzrokovati začepljenje sistema ulja, a time i prijevremeno trošenje vodilice i lanca.

PODEŠAVANJE PROTOKA ULJA (sl. F)

- Ova žaga opremljena je **vijkom za podešavanje protoka ulja (F-1)** koji se nalazi na donjoj strani alata i koji se upotrebljava za podešavanje protoka ulja za podmazivanje lanca, vodilice i sistema rezanja. Povećavanje ili smanjivanje protoka ulja obavljajte u smjeru strelica kako je označeno na kućištu.

LED SVJETLOSNI INDIKATOR NA MOTORNOJ ŽAGI

Motorna žaga je opremljena s 2 LED svjetlosna indikatora koji ukazuju na stanje ulja i nivo napunjenosti kompleta baterije.

LED svjetlosni indikator		Značenje	Radnja
Svjetlosni indikator niskog nivoa ulja (A-8)	Treperi crveno.	Nizak nivo ulja	Napunite spremnik ulja.
	Isključeno	Ima ulja.	/
Svjetlosni indikator baterije (A-7)	Svijetli zeleno.	Komplet baterija je napunjen.	/
	Treperi zeleno.	Komplet baterija je skoro prazan i potrebno ga je odmah napuniti.	Napunite bateriju.

PRIČVRŠĆIVANJE NOSAČA LEDNE BATERIJE NA POJAS ZA PENJANJE

Ova motorna žaga isporučuje se s nosačem ledne baterije koji se upotrebljava za nošenje kompleta baterija i koji se može pričvrstiti na pojas za penjanje (nije u sadržaju isporuke).

NAPOMENA! Nosač ledne baterije čvrsto pričvrstite na pojas za penjanje prije nego što pojas stavite na sebe.

- Potražite odgovarajuće mjesto za vješanje nosača ledne baterije na pojas za penjanje. Nosač ledne baterije objesite na pojas za penjanje pomoću **kuke za remen (G-1)**. (sl. G1)
- Omotajte remen oko pojasa za penjanje da pričvrstite nosač ledne baterije (sl. G2 i G3).
- Pričvrstite dva **prstena (G-2)** sigurnosnog užeta na pojas za penjanje pomoću dvije karabinjer kuke (nisu u sadržaju isporuke), kako je prikazano na sl. G4.

G-1	Kuka za remen	G-2	Prsteni
-----	---------------	-----	---------

NAPOMENA!

- Kada se penjete na drvo, pričvrstite prsten 1 i 2 na sigurnosno uže pojasa za penjanje pomoću karabinjer kuka (nisu u sadržaju isporuke) (sl. G5).
- Kada upotrebljavate alat, otkaçite prsten 2 s pojasa za penjanje, držite žagu dvjema rukama i obavite rezanje (sl. G6).

PRIČVRŠĆIVANJE ŽAGE NA NOSAČ LEDNE BATERIJE

Pričvrstite **kuku za žagu (H-2)** sigurnosnog užeta na **ušicu (H-1)**. (sl. H)

H-1	Ušica	H-2	Kuka za žagu
-----	-------	-----	--------------

POSTAVLJANJE/SKIDANJE KOMPLETA BATERIJA

NAPOMENA! Komplet baterija potpuno napunite prije prve upotrebe.

Postavljanje (sl. I1)


Poravnajte kontakte kompleta baterija s montažnim utorima i komplet baterija zatim gurnite u nosač ledne baterije tako da ulegne u svoje ležište.

Skidanje (sl. I2)

Palcem pritisnite dugme za oslobađanje baterije i skinite komplet baterija.

POKRETANJE/ZAUSTAVLJANJE MOTORNE ŽAGE

Pokretanje

- Poravnajte oznake "▲" na **strujnom utikaču (J-2)** i **električnoj utičnici motorne žage (J-1)**, a zatim utaknite utikač u motornu žagu tako da **ZELENA** brtva na utikaču **POTPUNO** nestane u utičnici (sl. J1).
- Gurnite prekidač za uključivanje/isključivanje "ON/OFF" u položaj "**ON**" (sl. J2).
- Ručku kočnice za povratni udar povucite prema glavnom rukohvatu u položaj .
- Pomjerite **jezičak za blokadu (J-3)** prema naprijed, a zatim pritisnite **okidač za varijabilnu brzinu (J-4)**. Što više povlačite okidač za varijabilnu brzinu, to je brzina rotacije motorne žage viša (sl. J3).

J-1	Električna utičnica	J-3	Jezičak za blokadu
J-2	Strujni utikač	J-4	Okidač za varijabilnu brzinu

Zaustavljanje

- Za zaustavljanje motorne žage otpustite okidač za varijabilnu brzinu.

NAPOMENA! Motorna žaga nastaviti će se okretati kratko vrijeme nakon otpuštanja okidača za varijabilnu brzinu. Vodite računa da izbjegavate kontakt nakon otpuštanja okidača za varijabilnu brzinu i tokom spuštanja motorne žage.

- Gurnite ručku kočnice za povratni udar naprijed u položaj kočenja "☺".
- Okrenite prekidač za uključivanje/isključivanje "ON-OFF" u položaj "OFF".

⚠ UPOZORENJE! Strujni utikač uvijek odspojite od motorne žage tokom pauza i nakon završetka radova.

PRIPREMA ZA REZANJE

Propisno držanje rukohvata (sl. K)

- Za maksimalni prihvat i zaštitu nosite neklizajuće rukavice.
- Prednji rukohvat uvijek prihvatite lijevom, a glavni rukohvat desnom rukom.
- Prsti trebaju obuhvatiti rukohvat s palcem savijenim ispod prednjeg rukohvata.

⚠ UPOZORENJE! Nemojte nikada upotrebljavati lijevi (poprečni) prihvat niti položaj koji vaše tijelo ili ruku postavlja preko linije lanca.

⚠ UPOZORENJE! Nemojte rukovati okidnim prekidačem lijevom rukom i držati prednji rukohvat desnom rukom. Kada rukujete motornom žagom nemojte nikada dozvoliti da dio vašeg tijela bude u liniji lanca (sl. L).

PROVJERA SISTEMA PODMAZIVANJA LANCA (sl. M)

NAPOMENA! Provjerite da li je spremnik ulja motorne žage napunjen odgovarajućom količinom ulja za lance.

- Držite vodilicu iznad svijetle površine.
- Uključite žagu. Ako sistem podmazivanja lanca propisni radi, na svijetloj površini ćete za 1 minutu vidjeti jasnu liniju ulja.
- Ako se ulje lanca ne vidi na svijetloj površini, pogledajte odjeljak "PODEŠAVANJE PROTOKA ULJA" kako biste obavili podešavanje.

RAD NA DRVETU

⚠ UPOZORENJE! Kada radite na drvetu ili kada se penjete na drvo, preporučujemo upotrebu pomoćne opreme kao što su nožni stremen i podesiva traka kako biste izbjegli nesreće uslijed njihanja ili prilikom rezanja.

Prije upotrebe provjerite sljedeće:

- Provjerite postoje li tragovi istrošenosti na **lančaniku (N-1)**. Ako su tragovi istrošenosti dublji od 0,5 mm: za zamjenu lančanika obratite se servisnoj službi proizvođača EGO.

- Provjerite i sistem kočenja. Ako su tragovi istrošenosti na **kočionim oblogama (N-2)** neravnomjerni, za zamjenu kočionih obloga koje je potrebno zamijeniti obratite se servisnoj službi proizvođača EGO. (sl. N)

N-1	Lančanik	N-2	Kočiona obloga
-----	----------	-----	----------------

- Pregledajte vodilicu; pogledajte odjeljak: **ODRŽAVANJE VODILICE**
- Provjerite lanac žage; pogledajte odjeljak: **ODRŽAVANJE LANCA**
- Testirajte kočnicu lanca; pogledajte odjeljak: **SIGURNOSNI UREĐAJI ZA ZAŠTITU OD POVRATNOG UDARA NA OVOJ**

MOTORNOJ ŽAGI

- Provjerite upravljačke elemente; pogledajte odjeljak: **POKRETANJE/ZAUSTAVLJANJE MOTORNE ŽAGE**
- Provjerite sistem podmazivanja lanca; pogledajte odjeljak: **PROVJERA SISTEMA PODMAZIVANJA LANCA**

ODRŽAVANJE

ČIŠĆENJE

- Nakon svake upotrebe mekanom četkom očistite naslage s lanca i vodilice. Površinu motorne žage obrišite čistom krpom navlaženom u blagoj sapunici.
- Za temeljito čišćenje uklonite sklop bočnog poklopca, skinite vodilicu i lanac žage, a zatim mekanom četkom temeljito uklonite naslage s vodilice, lanca žage i lančanika na pogonskoj glavi motorne žage.
- Pri zamjeni lanca žage, iz žlijeba vodilice uvijek očistite drveno iverje, prašinu od žage i prljavštinu.

UKLANJANJE PRAŠINE

- Odspojite strujni utikač, pričekajte da se motorna žaga ohladi, a zatim pritegnite čep spremnika ulja.
- Aktivirajte kočnicu žage.
- Upotrijebite kombinovani ključ (u sadržaju isporuke) za otpuštanje vijka **poklopca za uklanjanje prašine (O-1)** da otvorite poklopac (sl. O1).
- Pomoću komprimiranog suhog zraka očistite piljevinu i iverje koji su se nakupili u rešetki za hlađenje; ispušite ih sa suprotne strane **ulaznog otvora za zrak (O-2)**. (sl. O2)

O-1	Poklopac za uklanjanje prašine	O-2	Ulazni otvor za zrak
-----	--------------------------------	-----	----------------------

ODRŽAVANJE VODILICE

Kada se na vodilici pojave znakovi istrošenosti, skinite je s pogonske glave motorne žage i okrenite je naopako za ponovno postavljanje (sl. P1), čime ćete raspodijeliti trošenje radi maksimalnog radnog vijeka vodilice.

Vodilicu (uključujući i **šine vodilice (P-1)** i **otvor za podmazivanje (P-2)**) je potrebno čistiti svaki dan kada se upotrebljava i provjeriti na postojanje znakova istrošenosti i oštećenja (sl. P2). Stvaranje bridova ili neravnina na šinama vodilice je normalan proces trošenja vodilice. Takve nepravilnosti treba ublažiti turpijom čim se pojave. Vodilicu s bilo kojim od sljedećih nepravilnosti je potrebno zamijeniti.

Istrošenost unutrašnje strane šina vodilice što omogućuje ležanje lanca sa strana.

- Savijena vodilica.
- Napuknute ili polomljene šine.
- Raširene šine.

Vodilica na vrhu ima lančanik. Lančanik je potrebno sedmično podmazivati mazalicom radi produženja radnog vijeka vodilice (sl. P3 i P4). Okrenite **prednji lančanik (P-3)** kada pumpate **prozirnu žutu, prozirniju crvenu ili prozirniju mast u otvor za podmazivanje (P-4)** dok na cijeli lančanik ne nanese novu mast. U otvor nemojte potiskivati prljavštinu.

P-1	Šine vodilice	P-3	Lančanik
P-2	Otvor za podmazivanje	P-4	Otvor za podmazivanje

ODRŽAVANJE LANCA

Na ovoj žagi upotrebljavajte samo lance s malim povratnim udarom. Lanac s funkcijom brzog rezanja osigurat će smanjenje povratnog udara kada se propisno održava.

Propisno naoštren lanac žage bez napora reže kroz drvo, čak i uz vrlo mali pritisak. Nemojte nikada upotrebljavati tup ili oštećen lanac žage. Tupi rezači lanca žage dovode do povećanog fizičkog naprezanja, povećanog vibracijskog opterećenja, nezadovoljavajućih rezultata rezanja i povećanog trošenja.

Za besprijeorno i brzo rezanje potrebno je propisno održavati lanac. Lanac zahtijeva oštrenje kada je drveno iverje malo i praškasto, kada je lanac potrebno potiskivati kroz drvo tokom rezanja ili kada lanac reže na jednu stranu. Tokom radova održavanja na lancu uzmite u obzir sljedeće:

- Nepravilan ugao turpijanja bočne ploče može povećati rizik od jakog povratnog udara.
- Zazor mjerača dubine. Premala vrijednost povećava mogućnost za povratni udar. Nedovoljno mala vrijednost smanjuje sposobnost rezanja.
- Ako su zubi rezača udarili o tvrde predmete kao što su ekseri ili kamenje ili ako su istrošeni uslijed blata ili pijeska na drvetu, oštrenje lanca prepustite kvalifikovanom servisnom tehničaru.

NAPOMENA! Preporučujemo da radove oštrenja i održavanja **lanca pile** prepustite ovlaštenim servisnim centrima.

TRANSPORT I SKLADIŠTENJE

- Motornu žagu nemojte skladištiti ili transportovati kada radi. Prije skladištenja ili transporta uvijek odspojite strujni utikač.
- Prije skladištenja ili transporta motorne žage, na vodilicu i lanac uvijek stavite zaštitnu navlaku. Budite oprezni da izbjegnute oštre zube lanca.
- Motornu žagu dobro očistite prije skladištenja. Motornu žagu skladištite u zatvorenim prostorima na suhom mjestu koje je zaključano i/ili nedostupno djeci.
- Pogonsku jedinicu držite podalje od korozivnih sredstava kao što su vrtna hemijska sredstva i soli za odmrzavanje.

Zaštita životne sredine



WEEE (električna i elektronička oprema koja više nije iskoristiva) Električnu opremu, iskorištenu bateriju i punjač nemojte odlagati u kućni otpad! Ovaj proizvod odnesite u ovlaštenu centar za reciklažu i time omogućite odvojeno sakupljanje. Električne alate potrebno je vratiti u ekološki prihvatljiv pogon za reciklažu.

OTKLANJANJE PROBLEMA

PROBLEM	UZROK	RJEŠENJE
Motor se ne pokreće.	<ul style="list-style-type: none"> ■ Strujni utikač nosača ledne baterije nije pričvršćen na motornu žagu. ■ Nema električnog kontakta između nosača ledne baterije i baterije. ■ Jezičak za blokadu nije preklopljen. ■ Prekidač za uključivanje/isključivanje "ON-OFF" je u položaju "OFF". ■ Kočnica lanca se aktivira. 	<ul style="list-style-type: none"> ■ Strujni utikač nosača ledne baterije utaknite u motornu žagu. ■ Skinite bateriju, provjerite kontakte i ponovo stavite komplet baterija. ■ Preklopite jezičak za blokadu prije pokretanja. ■ Okrenite prekidač za uključivanje/isključivanje "ON-OFF" u položaj "ON". ■ Ručku kočnice lanca za povratni udar povucite nazad prema gornjem rukohvatu u radni položaj.
Motorna žaga prestaje raditi tokom rada.	<ul style="list-style-type: none"> ■ Komplet baterija je previše vruć ili motorna žaga je previše vruća. ■ Motorna žaga je preopterećena. ■ Previše komadića drveta blokira ventilacijski kanal. ■ Komplet baterija je ispražnjen. 	<ul style="list-style-type: none"> ■ Ohladite komplet baterija ili motornu žagu. ■ Smanjite opterećenje. ■ Očistite prašinu; pogledajte ODJELJAK "UKLANJANJE PRAŠINE". ■ Napunite komplet baterija.
Kočnica lanca se ne aktivira.	<ul style="list-style-type: none"> ■ Naslage sprečavaju puno kretanje ručice kočnice lanca za povratni udar. ■ Mogući kvar kočnica lanca. 	<ul style="list-style-type: none"> ■ Očistite naslage s vanjskog mehanizma kočnice lanca. ■ Za popravak se obratite centru korisničke službe proizvođača EGO.
Nema podmazivanja uljem tokom rezanja.	<ul style="list-style-type: none"> ■ Spremnik ulja za lanac je prazan. ■ Izlazni otvor za ulje vodilice lanca je blokiran. ■ Skrućivanje ulja na niskim temperaturama 	<ul style="list-style-type: none"> ■ Dopunite mazivo za vodilicu i lanac. ■ Očistite prašinu iz ulaznog otvora za ulje. ■ Upotrebljavajte propisno ulje za podmazivanje (prikladno za niske temperature).
Svjetlosni indikator niskog nivoa ulja treperi crveno ili prikazuje neobično svjetlo kada se spremnik ulja puni uljem.	<ul style="list-style-type: none"> ■ Poseban ugao upotrebe motorne žage razlog je zbog čega ulje u spremniku za ulje ne ulazi u cijev za ulje. ■ Kategorija i boja ulja nisu preporučeni. ■ Svjetlosni indikator niskog nivoa ulja i dalje treperi crveno. 	<ul style="list-style-type: none"> ■ Stavite motornu žagu na ravnu površinu i pokušajte ponovo. ■ Upotrebljavajte preporučeno prozirno žuto, prozirno crveno ili prozirno ulje. ■ Za popravak se obratite centru korisničke službe proizvođača EGO.
Svjetlosni indikator niskog nivoa ulja ne radi kada u spremniku ulja nedostaje ulja.	<ul style="list-style-type: none"> ■ Kategoriju i boju ulja nije moguće identificirati. ■ Mala količina ulja i dalje se nalazi u spremniku ulja ili cijevi za ulje. ■ Svjetlosni indikator niskog nivoa ulja i dalje ne iz prethodno navedenih razloga. 	<ul style="list-style-type: none"> ■ Upotrebljavajte preporučeno prozirno žuto, prozirno crveno ili prozirno ulje. ■ Motornu žagu upotrebljavajte izvjesno vrijeme, a zatim ponovo pogledajte svjetlosni indikator niskog nivoa ulja. ■ Za popravak se obratite centru korisničke službe proizvođača EGO.

GARANCIJA

POLITIKA GARANCIJE PROIZVOĐAČA EGO

Za sve odredbe i uslove politike garancije proizvođača EGO posjetite internetsku stranicu egopowerplus.com.

BS

כל ההוראות!

קראו את מדריך ההוראות 

⚠ סיכון שיורי! אנשים בעלי מכשירים חשמליים כגון קוצבי לב, צריכים להתייעץ עם הרופא(ים) המטפל(ים) בהם לפני השימוש במכשיר זה. הפעלה של ציוד חשמלי בקרבת קוצבי לב עלולה להפריע לפעולת הקוצב או אפילו להפסיק את פעולתו.

סמל בטיחות

מטרתם של סימני הבטיחות היא למשוך את תשומת לבכם אל סכנות אפשריות. סימני הבטיחות וההסברים שלהם דורשים את תשומת הלב וההבנה המלאות שלכם. סימני הבטיחות בעצמם לא ימנעו כל סכנה. ההוראות והאזהרות אותן הם מספקים לא תחלפנה נקיטת אמצעי מניעה מתאימים בעת תאונה.

⚠ אזהרה: וודאו שאתם קוראים ומבינים את כל הוראות הבטיחות המופיעות במדריך זה למשתמש, כולל את כל סימני התרעות הבטיחות כגון "סכנה", "אזהרה", ו-"זהירות" לפני השימוש במכשיר זה. אי מילוי אחר כל ההוראות המופיעות למטה יכול לגרום אחריו שוק חשמלי, שרפה ו/או פציעות חמורות.

פירוש הסימן

עמוד זה מציין ומתאר את סימני הבטיחות העשויים להופיע על גבי המוצר. קראו, הבינו ועקבו אחר ההוראות המופיעות על המכשיר לפני כל ניסיון להרכיב ולהשתמש בו.

סימני בטיחות

על מנת להפחית את הסיכון לפציעות, על המשתמש לקרוא ולהבין את המדריך למשתמש לפני השימוש במוצר זה.		התראת בטיחות 
לבשו בגדים שאינם רופפים. אין ללבוש צעיפים, עניבות או תכשיטים		לבשו כפפות לעומס כבד העשויות מחומר בר-קימה 
יש ללבוש משקפיים מתאימות, אטמי אוזניים או מחממי אוזניים וכובע קשה הקשור ברצועת סנטר		נעלו נעליים בטוחות שאינן מחליקות 
החזקה בשתי הידיים - תמיד עשו שימוש בשתי הידיים בעת הפעלת המסור החשמלי.		היו זהירים מפני תגובה חזקה לאחור - יש להימנע מכל מגע של כל עצם עם קצה מוט המנחה 
המידע של המוט המנחה.		קצה מוט מנחה לתגובה חזקה לאחור - מגע עם הקצה עלול לגרום למוט המנחה לזוז בפתאומיות כלפי מעלה ואחורה, דבר העלול לגרום לפציעה חמורה 
נא לא לחשוף לגשם.		אין לזרוק מוצרים חשמליים כחלק מאשפה ביתית. הביאו את המכשיר למרכז מחזור מוסמך. 
רעש 		וולט V 
CE 		זרם ישיר 

מפרטים

וולטז'	56V
טמפרטורת הפעלה מומלצת:	-15°C-40°C
טמפרטורת אחסון מומלצת:	-40°C-70°C
טמפרטורת טעינה אופטימלית	5°C-40°C
אורך חיתוך	300 מ"מ
מהירות שרשרת	20 מ'שנייה
צובט שרשרת	3/8 אינץ' (9.5 מ"מ)
מד שרשרת	1.1 מ"מ
סוג שרשרת מסור	AC1200 (מומלץ) AC1400 (מתאים) AC1600 (מתאים)
סוג מוט מנחה	AG1200 (מומלץ) AG1400 (מתאים) AG1600 (מתאים)
משקל (ללא מארז סוללה, נדן שרשרת)	3.5 ק"ג
רמת עוצמת קול נמדדת L_{WA}	98.8 dB(A) K=3 dB(A)
רמת לחץ קול בעמדת עבודה L_{PA}	88.1 dB(A) K=3 dB(A)
רמת עוצמת קול מובטחת L_{WA} (בהתאם ל-2000/14/EC)	102dB(A)
ידיית קדמית	1.73 מ'שנייה ² 1.5=K
ידיית ראשית	2.21 מ'שנייה ² 1.5=K

■ ערך הרטט הכללי המוצהר נמדד בהתאם לשיטת בדיקה סטנדרטית וניתן להשתמש בו על מנת להשוות ציוד אחד עם ציוד אחר;

■ ניתן להשתמש בערך הרטט הכללי המוצהר בהערכה ראשונית של חשיפה.

הודעה: פליטת הרטט בעת השימוש המעשי בכלי יכולה להיות שונה מן הערך המוצהר כאשר הכלי נמצא בשימוש; על מנת להגן על המפעיל, על המשתמש ללבוש כפפות ומגני אזניים בעת השימוש למעשה.

תיאור

הכירו את המסור החשמלי שלכם (איור A1)

1. שרשרת מסור
2. דוושית הבלימה לתגובה חזקה לאחור
3. לשון נעילה
4. ידיית ראשית
5. הדק למהירויות מגוונות
6. עינית
7. אינדיקטור סוללה

8. אינדיקטור כמות שמן נמוכה
9. ידיית קדמית
10. מכסה מיכל שמן
11. מוט מנחה
12. חור שימון
13. גלגל שיניים
14. בורג מתיחה
15. מתג בטיחות הפעלה-כיבוי
16. בריח מנחה
17. אום מוט
18. מכסה הרכבה צדדי
19. מכסה בורג כוונון זרם השמן
20. מכסה הסרת אבק
21. מנגנון פליטה
22. חיבורים חשמליים
23. כפתור שחרור הסוללה
24. וו חגורה
25. אבזם
26. רצועה
27. חבק
28. טבעת 1
29. וו מסור
30. מתג מתח
31. טבעת 2
32. נדן שרשרת
33. מברג משולב

שימת אריזה (איור A1)

הרכבה

הרכבה/פירוק של המוט והשרשרת

⚠ אזהרה: תמיד יש לנתק את מתג המתח וללבוש כפפות מגן לפני הרכבה או ביצוע של עבודות תחזוקה על המוצר.

⚠ אזהרה: קראו את כל אזהרות הבטיחות, את ההוראות, התמונות והמפרטים המסופקים ביחד עם מכשיר חשמלי זה. אי מילוי כל ההוראות המופיעות למטה עלול לגרום להלם חשמלי, שרפה ו/או פציעה חמורה.

שימרו את כל האזהרות וההוראות לעיון עתידי.

1. הבטיחו שדוושית הבלימה לתגובה חזקה לאחור נמצאת בעמדה
2. הוציאו את אום המוט (A-17) נגד כיוון השעון והסירו את מכסה ההרכבה הצדדי (A-18).
3. הניחו את שרשרת המסור בלולאה על משטח שטוח וישירו כל עיקול. (איור B1)
4. הניחו את קישורי ההנעה (B-1) אל חריץ (B-2) המוט המנחה ועשו מן השרשרת לולאה בצידו האחורי של המוט המנחה. (איור B2)

1. כבו את המסור החשמלי, הפעילו את בולם השרשרת ונתקו את מתג המתח.
2. שחררו את אום המוט, כך שהמוט המנחה יוכל לנוע בחופשיות לכוון עתיד.
3. החזיקו את אף המוט כלפי מעלה וכווננו את בורג המתח עד לקיומה של אחת מן הנקודות הבאות:
 - a) שקיעת השרשרת במרכז המוט היא בערך: 2-1 מ"מ (איור D).
 - b) שחררו את בולם השרשרת, הבטיחו שניתן למשוך את השרשרת לאורך המוט בשתי אצבעות.
- הודעה:** בצעו צעד זה בזהירות על מנת למנוע פציעות אישיות, בגלל שמנוע DC זה כולל חומרים ממגנטים, בניגוד לשרשרת מסור רגילה עם בנזין, כאשר אתם מריצים את שרשרת המסור באמצעות שתי אצבעות, אתם תרגישו מידה מסוימת של התנגדות. זה איננו חלק כפי שקורה בשרשרת מסור עם בנזין.
4. החזיקו את אף המוט והדקו את אום המוט.
- הודעה:** אם שקיעת השרשרת במרכז המוט איננה 2-1 מ"מ, כווננו מחדש את מתח השרשרת.
5. החזיקו את השרשרת במקומה על גבי המוט המנחה ומקמו את הלולאה מסביב **לגלגל שיני השרשרת (B-3)** של ראש המנת ובדקו את הפריטים הבאים (איור B3):
 - a) קישורי הנעת השרשרת נמצאים בשיניים של **גלגל שיני השרשרת (B-3)**.
 - b) **בורג המתיחה (B-4) והבורג המנחה (B-5)** נמצאים בחריץ המוט המנחה. **יתד המתיחה (B-6)** מופעל בתוך החור של המוט המנחה.
- הודעה:** וודאו שכיוון החצים הנמצאים על גבי שיני השרשרת פונה תמיד קדימה (איור B3).
6. עיינו בחלק „מתיחת שרשרת המסור” על מנת להבטיח שהשרשרת מורכבת כהלכה ללא עטיפות.
7. יישרו את שני **המוטות המנחים (B-7)** על גבי מכסה ההרכבה הצדדי עם **החורים (B-8)** המתאימים במסור ולאחר מכן הרימו את מכסה ההרכבה הצדדי. (איור B4)
8. הדקו את אום המוט.

B-1	קישורי הנעה	B-5	בריח מנחה
B-2	חריץ	B-6	יתד מתיחה
B-3	גלגל שיני השרשרת	B-7	מוטות מנחים
B-4	בורג מתיחה	B-8	חורים

הודעה: אם יש צורך להחליף את המוט המנחה, פרקו את מכסה ההרכבה הצדדי והרכיבו אותו מחדש עם המוט המנחה החדש כפי שניתן לראות באיור C.

הפעלה

יישום

■ המסור החשמלי מיועד במיוחד עבור פעולת עיצוב עצים ועבודות תחזוקה.

המסור יהיה בשימוש רק על ידי אנשים אשר הוכשרו במיוחד לבצע עבודות תחזוקה על עצים.



הודעה: אנו ממליצים למשתמש במסור בפעם הראשונה לבצע לפחות כמה ניסיונות לחיתוך ענפים על גבי מתקן עץ או עריסת עץ.

מתיחת שרשרת המסור

⚠ אזהרה: לעולם אין לגעת או לכוון את השרשרת כאשר המנוע פועל. שרשרת המסור חדה מאד; לבשו תמיד כפפות מגן בעת ביצוע כל עבודות תחזוקה במסור החשמלי.

שרשרת המסור מתרחבת או מתכווצת בעת הפעלה רגילה של המסור. כתוצאה מכך, מתח השרשרת משתנה. בדקו באופן סדיר את מתח השרשרת וכווננו אותו בעת הצורך.

מילוי מיכל השמן

1. הוציאו את תקע החשמל מן המסור החשמלי.
2. מקמו את המסור החשמלי על הצד, על גבי משטח מוצק ושטוח כך שמסכה מיכל השמן פונה כלפי מעלה. פתחו את מכסה מיכל השמן. אם הוא הדוק מדי, השתמשו בראש החריץ על מפתח הברגים המשולב (הניתן) על מנת לשחרר אותו (איור E)
3. מזגו בזהירות את השמן אל תוך מיכל השמן. מלאו עד לחלק התחתון של צוואר המילוי. נגבו את יתרת השמן וסגרו אותו.

הודעה:

- בעת הרכישה המסור החשמלי איננו מלא בשמן. חשוב מאוד למלא את מיכל השמן לפני השימוש. השרשרת משומנת באופן אוטומטי עם שמן שרשרת בעת הפעלה.
- הוא מיועד במיוחד לספק חיכוך נמוך יותר וחיתוך מהיר יותר.
- לעולם אין להשתמש בשמן או חומרי סיכה אחרים אשר לא עוצבו במיוחד לשימוש על גבי המוט והשרשרת. הדבר עלול להוביל למערכת שמן חסומה, דבר שעלול להוביל לסיימי בלאי מוקדם של המוט והשרשרת.

כווןן זרם השמן (איור F)

- מסור זה מצויד ב**בורג כווןן זרם שמן (F-1)**, הממוקם בחלק התחתון של המכשיר ונעשה בו שימוש לכוון את זרם השמן עבור שימון השרשרת, המוט ומערכת החיתוך. הגדלה או הפחתה של זרם השמן בכיוון החצים כפי שמוסמן על גבי תא האחסון.

התקנה/הסרה של מארז הסוללה

הודעה: הטעינו לגמרי את מארז הסוללה לפני השימוש בו בפעם הראשונה.

להתקנה (תמונה 11)

יישרו את העורקים המורמים של מארז הסוללה עם חריצי ההרכבה ולאחר מכן החליקו את מארז הסוללה אל נרתיק הסוללה עד שהוא נמצא בעמדתו.

להסרה (איור 12)

לחצו על כפתור שחרור הסוללה עם האגודל שלכם והוציאו את מארז הסוללה.

הפעלה/כיבוי של המסור החשמלי

להפעלה

- יישרו את סימני ה- "▲" על **מתג המתח (J-2)** ועל **השקע החשמלי (J-1)** של המסור החשמלי, ואז הכניסו את התקע אל תוך המסור החשמלי עד אשר החותם הירוק על התקע נעלם במלואו אל תוך השקע (איור J1).
- העבירו את כפתור ההפעלה/כיבוי למצב "פועל" (איור J2).
- משכו את דושת הבלימה לתגובה חזקה לאחר לעבר הידידת העיקרית אל עמדה .
- הזיזו את **לשון הנעילה (J-3)** קדימה ולאחר מכן לחצו על **ההדק למהירויות מגוונות (J-4)**. ככל שתמשכו יותר כלפי מעלה את ההדק למהירויות מגוונות, כך תגדל מהירות הסיבוב של שרשרת המסור (איור J3).

J-1	שקע חשמלי	J-3	לשון נעילה
J-2	מתג מתח	J-4	הדק למהירויות מגוונות

לכיבוי

- שחררו את הדק למהירויות מגוונות על מנת לכבות את המכשיר החשמלי.

הודעה: שרשרת המסור תמשיך להסתובב לזמן קצר לאחר השחרור של ההדק למהירויות מגוונות. היזהרו והימנעו ממגע לאחר שחרור ההדק למהירויות מגוונות וכאשר מניחים את המסור החשמלי.

- דחפו את דושת הבלימה לתגובה חזקה לאחר לעמדת בלימה .
- העבירו את כפתור ההפעלה/כיבוי למצב "כבוי"

⚠ אזהרה: נתקו תמיד את מתג המתח מן המסור החשמלי בעת הפסקות ולאחר סיום העבודה.

אינדיקטור לד על גבי המסור החשמלי

המסור החשמלי מצויד בשני אינדיקטורי לד המראים את מצב השמן ואת מצב הטעינה של מארז הסוללה.

פעולה	פירוש	אינדיקטור לד	
מלאו את מיכל השמן	מחסור בשמן	אור אדום מהבהב	אינדיקטור כמות שמן נמוכה (A-8)
/	יש שמן	כבוי	
/	למארז הסוללה יש מתח	אור ירוק	אינדיקטור סוללה (A-7)
הטעינו את הסוללה	מארז סוללה זה כמעט מרוקן ויש להטעין אותו מיד.	אור ירוק מהבהב	

הצמדת נרתיק הסוללה אל רתמת הטיפוס

מסור חשמלי זה מגיע עם נרתיק סוללה, הוא נועד לנשיאת מארז הסוללה ומאפשר את ההצמדה אל רתמת הטיפוס (לא ניתנת).

הודעה: הדקו את נרתיק הסוללה באופן הדוק אל רתמת הטיפוס לפני הלבישה של רתמת הטיפוס.

- חפשו נקודה מועדפת עבור תליית נרתיק סוללה זה אל רתמת הטיפוס, תלו את נרתיק הסוללה על גבי רתמת הטיפוס על ידי שימוש ב**ו החגורה (G-1)**. (איור G1)
- סובבו את החגורה מסביב לרתמת הטיפוס על מנת לקבע את נרתיק הסוללה במקומו (איורים G2 ו-G3).
- הצמידו את שתי **הטבעות (G-2)** של חבק הבטיחות אל רתמת הטיפוס על ידי שימוש בשתי טבעות חיבור (לא ניתנות), כפי שניתן לראות באיור G4.

G-1	ו חגורה	G-2	טבעות
-----	---------	-----	-------

הודעה:

- בעת הטיפוס על העץ, הצמידו את טבעות 1 ו-2 של חבק הבטיחות אל רתמת הטיפוס על ידי שימוש בשתי טבעות חיבור (לא ניתנות) (איור G5).
- כאשר המכשיר נמצא בשימוש, הסירו את טבעת 2 מרתמת הטיפוס והחזיקו את המסור בשתי ידיים על מנת לבצע את החיתוך (איור G6).

הבטחת המסור אל נרתיק הסוללה

חברו את **ו המסור (H-2)** של חבק הבטיחות אל **העינית (H-1)**. (איור H)

H-1	עינית	H-2	ו מסור
-----	-------	-----	--------

הכנה לחיתוך

אחיזה נכונה של הידיות (איור K)

- לבלשו כפפות לא מחליקות לאחיזה והגנה מקסימליות.
- איחזו תמיד את הידית הקדמית עם היד השמאלית ואת הידית העיקרית עם היד הימנית.
- על האצבעות להקיף את הידית, עם האגודל מלופף סביב הידית הקדמית.

⚠ אזהרה: לעולם אין לאחוז באחיזה הפוכה (ימין במקום שמאל), או בכל אחיזה אחרת אשר תעמיד את הידיים או את חלקי הגוף שלכם בקו השרשרת.

⚠ אזהרה: אין להפעיל את מתג ההדק עם היד השמאלית שלכם ולאחוז את הידית הקדמית עם היד הימנית שלכם. לעולם אל תניחו לכל חלק של הגוף שלכם להיות בקו השרשרת בעת ההפעלה של המסור החשמלי (איור L).

בדיקה של סיכת השרשרת (איור M)

הודעה: הבטיחו שמילך הדלק של המסור החשמלי מולא בכמות המתאימה של שמן שרשרת.

1. החזיקו את המוט המנחה מעל למשטח הצבוע.
2. הפעילו את המסור. אתם תוכלו לראות קו ברור של השמן על המשטח הצבוע קלות לאחר דקה אחת, אם סיכת השרשרת פועלת כהלכה.
3. אם שמן השרשרת לא נראה על גבי המשטח הצבוע קלות, עיינו בחלק „**כונן זרם השמן**” על מנת לכונן אותו.

הפעלה בתוך העץ

⚠ אזהרה: בעת העבודה או הטיפול, מומלץ להשתמש בתמיכה הנוספת, כגון משורת כף רגל, הנקשרת בשרוך על מנת למנוע דנדוד או תאונת חיתוך.

לפני השימוש, אנא בדקו את הנקודות הבאות:

- בדקו את סימני הבלוש על גבי **גלגל שיני השרשרת (N-1)**, אם סימני הבלאי עמוקים יותר מ-0.5 מ"מ, צרו קשר עם סוכן השירות EGO שלכם על מנת להחליף את גלגל הסיניים.
- בדקו גם את מערכת הבלימה, אם סימני הבלאי על **קו הבלימה (N-2)** אינם שווים, צרו קשר עם סוכן השירות EGO שלכם על מנת להחליף את קו הבלימה. (איור N)

N-1	גלגל שיני השרשרת	N-2	קו הבלימה
-----	------------------	-----	-----------

■ בדקו את המוט המנחה; ראו חלק: **תחזוקה של המוט המנחה**

■ בדקו את שרשרת המסור; ראו חלק: **תחזוקת השרשרת**

■ בדקו את בולם השרשרת; ראו חלק: **התקני בטיחות לתגובה חזקה לאחור על גבי**

מסור חשמלי זה

■ בדקו את הבקורת; ראו חלק: **הפעלה/כיבוי של המסור החשמלי**

■ בדקו את סיכת השרשרת; ראו חלק: **בדיקה של סיכת השרשרת**

תחזוקה

ניקיון

■ לאחר כל שימוש נקו את השאריות מן השרשרת והמוט המנחה עם מברשת רכה. נגבו את שטח שרשרת המסור על מטלית נקיה אשר הוטבלה בתמיסת סבון עדינה.

■ עבור ניקיון עמוק, הסירו את מכסה ההרכבה הצדדי, הורידו את המוט המנחה ואת שרשרת המסור ולאחר מכן השתמשו במברשת דקה על מנת להסיר חלקי אבק מן המוט המנחה, שרשרת המסור וגלגל שיני ההנעה על גבי הראש החשמלי של המסור החשמלי.

■ נקו תמיד שאריות ענפים ועץ, נסורת ולכלוך מחריץ המוט המנחה בעת החלפת שרשרת המסור.

הסרת אבק

1. נתקו את מתג המתח, אפשרו למסור החשמלי להתקרר והדקו את מכסה מיכל השמן.
2. הפעילו את בולם המסור
3. השתמשו במברג משולב (ניתן) על מנת לשחרר את הבורג של **המכסה להסרת אבק (O-1)** על מנת לפתוח אותו (איור O1).
4. נקו את האבק ואת השאריות אשר הצטברו בסנפיר הקירור על ידי שימוש באוויר יבש דחוף, נשפו אותו מן הצד הנגדי של **פתח כניסת האוויר (O-2)**. (תמונה O2).

O-1	מכסה הסרת אבק	N-2	פתח כניסת אוויר
-----	---------------	-----	-----------------

תחזוקה של המוט המנחה

כאשר המוט המנחה מראה סימני בלאי, פרקו אותו מראש המתח של המסור החשמלי וסובבו אותו להרכבה מחדש (איור P1) ובמקרה זה הבלאי יופץ לחי"י מוט מקסימליים.

יש לנקות את המוט (כולל את **מסילות המוט (P-1)** ואת **חור השימון (P-2)** בכל יום שימוש ולבדוק עליו סימני בלאי או נזק (איור P2). רפידה או שרפה של מסילות המוט מהווים סימני בלאי נורמליים. כאשר אלו מתרחשים חש לשייף אותם בעזרת פצירה. יש להחליף מוט בעל אחד מן הליקויים הבאים.

סימני בלאי בתוך מסילות המאפשר לשרשרת לעבור מעבר לצדדים.

■ מוט מנחה מעוקל.

■ מסילות סדוקות או שבורות.

■ מסילות אשר התרחבו.

למוט המנחה ישנו גלגל שיניים בקצהו. יש לשמן את גלגל השיניים בכל שבוע עם מזרק חומר סיכה על מנת להאריך את חיי המוט המנחה (איור P3 ו-P4). סובבו את **גלגל שיני האף (P-3)** בעוד אתם מזרימים את השמן ה**צהוב השקוף, האדום השקוף או השקוף** אל תוך **חור השימון (P-4)** עד אשר לכלל גלגל השיניים יש שמן חדש. אין לדחוף את הלכלוך אל תוך החור.

P-1	מסילות מוט	P-3	גלגל שיניים
P-2	חור שימון	P-4	חור שימון

תחזוקת השרשרת

השתמשו רק בשרשראות בעלות תגובה חזקה לאחור נמוכה עבור מסור זה. השרשרת החותכת במהירות תספק הפחתה של התגובות החזקות לאחור כאשר ישנה תחזוקה מתאימה.

שרשרת מסור מחודדת כראוי חותכת דרך העץ ללא מאמץ, אפילו אם מופעל מעט לחץ. לעולם אין להשתמש בשרשרת ניזוקה או קהה. חיתוך בשרשרת קהה גורם למתח פיזי גבוה מאוד, עומס רטט מוגבר, תוצאות חיתוך לא מספקות ובלאי מוגבר.

לחתוך חלק ומהיר, יש לבצע תחזוקה מתאימה לשרשרת. יש לחדד את השרשרת כאשר חתכי העץ הם קטנים ואבקתיים, יש להפעיל לחץ על השרשרת בעת החיתוך דרך העץ על מנת שהשרשרת לא תחתוך לצד אחד בלבד. בעת ביצוע פעולות תחזוקה לשרשרת המסור, קחו בחשבון את הבאות:

- זווית כריתה לא נכונה של הלוחית הצדדית יכולה להגדיל את הסיכון לתגובה חזקה לאחור חמורה.
- פינוי מד עמוק נמוך מדי מגביר את הפוטנציאל לתגובה חזקה לאחור. לא נמוך מספיק מפחית את יכולת החיתוך.
- אם שיני החותך פגעו בעצמים קשים, כגון מסמרים ואבנים, או אם הן באו במגע עם בוצ' או חול אשר היו על העץ, חדדו את השרשרת בעזרת טכנאי שירות מוסמך.

הודעה: מומלץ לחדד ולבצע עבודות תחזוקה עבור **שרשרת המסור** באמצעות מרכזי שירות מוסמכים.

הובלה ואחסון

- אל תאחסנו או תובילו את המסור החשמלי כאשר הוא פועל. נתקו תמיד את מתג המתח בעת אחסון או הובלה.
- הניחו תמיד את נדן המוט המנחה על המוט המנחה והשרשרת לפני אחסון או הובלה של המסור החשמלי. היו זהירים והימנעו ממגע עם השיניים החדות של השרשרת.
- נקו את המסור החשמלי ביסודיות לפני אחסונו. אחסנו את המסור החשמלי בתוך הבית, במקום יבש אשר רחוק מהישג ידם של ילדים.
- הרחיקו מחומרים הגורמים לקורוזיה כגון כימיקלים לגינה ומלחים מסירי קרח.

הגנה על הסביבה

- WEEE (זריקה של ציוד חשמלי ואלקטרוני) - אין לזרוק ציוד חשמלי, מטעני סוללות וסוללות ביחד עם אשפה ביתית! קחו מוצרים אלו למרכז מחזור מוסמך וודאו שהם זמינים לאיסוף בנפרד. יש להחזיר כלים חשמליים אל מתקן מחזור המתאים לסביבה.



איתור וטיפול בבעיות

בעיה	פתרון הסיבה	פתרון
המנוע איננו מתחיל את פעולתו.	<ul style="list-style-type: none"> מתג המתח של נרתיק הסוללה איננו צמוד למסור החשמלי. לא מתבצע חיבור חשמלי בין נרתיק הסוללה לסוללה. לשון הנעילה לא מתקפלת. מתג ה-"הפעלה-כיבוי" נמצא במצב "כבוי". בולם השרשרת פועל. 	<ul style="list-style-type: none"> הכניסו את מתג המתח של נרתיק הסוללה אל תוך המסור החשמלי. נתקו את הסוללה, בדקו את החיבורים והתקינו מחדש את מארז הסוללה. קפלו את לשון הנעילה לפני ההתחלה. העבירו את כפתור ה-"הפעלה-כיבוי" למצב "פועל". משכו את דווש הבלימה לתגובה חזקה לאחר של השרשרת לאחור אל עבר הידית העליונה כאשר אתם מגיעים אל עמדת ההפעלה.
המסור החשמלי מפסיק את פעולתו בעת ההפעלה.	<ul style="list-style-type: none"> מארז הסוללה או המסור החשמלי חמים מדי. ישנו עומס יתר של המסור החשמלי. מספר גדול מדי של גושי עץ חוסם את תעלת האוורור. קיבולת מארז הסוללה ריקה 	<ul style="list-style-type: none"> קרו את מארז הסוללה או את המסור החשמלי הורידו את העומס. נקו את האבק; עיינו בחלק "הסרת אבק". הטעינו את מארז הסוללה
בולם השרשרת איננו פועל	<ul style="list-style-type: none"> אשפה מונעת תנועה מלאה של ידית הבלימה לתגובה חזקה לאחר של השרשרת פעולה לא מתאימה אפשרית של בולם השרשרת 	<ul style="list-style-type: none"> נקו שאריות ממנגנון בולם השרשרת החיצוני צרו קשר עם מחלקת שירות הלקוחות של EGO לתיקונים.
ללא סיכת שמן בעת החיתוך.	<ul style="list-style-type: none"> מיכל השמן של השרשרת ריק. יציאת השמן של מוט השרשרת חסומה מיצוק שמן בטמפרטורה נמוכה 	<ul style="list-style-type: none"> סרגל מיליו ושימון השרשרת. נקו את האבק ביציאת השמן. החליפו את שמן הסיכה המתאים (מתאים לטמפרטורה נמוכה)
אינדיקטור כמות השמן הנמוכה מהבהב בצבע אדום או מראה אור לא נורמלי כאשר ממלאים את מיכל השמן בשמן.	<ul style="list-style-type: none"> זווית לשימוש מיוחד של המכשיר גורמת לשמן במיכל השמן לא להיכנס אל צינור השמן. הקטגוריה והצבע של השמן אינם מומלצים. אינדיקטור כמות השמן הנמוכה עדיין מהבהב בצבע אדום. 	<ul style="list-style-type: none"> הניחו את המסור החשמלי על גבי משטח שטוח ונסו שנית. השתמשו בשמן צהוב שקוף, אדום שקוף או שקוף כפי שמומלץ צרו קשר עם מחלקת שירות הלקוחות של EGO לתיקונים
אינדיקטור כמות השמן הנמוכה אינו עובד כאשר ישנה כמות נמוכה של שמן במיכל השמן.	<ul style="list-style-type: none"> לא ניתן לזהות את הקטגוריה והצבע של השמן. כמות קטנה של שמן עדיין נמצאת במיכל השמן או בצינור השמן אינדיקטור כמות השמן הנמוכה עדיין לא עובד בגלל אחת מן הסיבות הבאות. 	<ul style="list-style-type: none"> השתמשו בשמן צהוב שקוף, אדום שקוף או שקוף כפי שמומלץ השתמשו במסור החשמלי לזמן מה ולאחר מכן הסתכלו שוב על אינדיקטור כמות השמן הנמוכה צרו קשר עם מחלקת שירות הלקוחות של EGO לתיקונים.

אחריות

מדיניות האחריות של EGO

אנא בקרו באתר egopowerplus.com עבור התנאים וההתניות השלמים של מדיניות האחריות של EGO.

جميع التعليمات!



⚠ خطر زائد! الأشخاص الذين تم تركيب أجهزة طبية إلكترونية لهم، مثل منظم ضربات القلب، يجب عليهم استشارة الطبيب قبل استخدام هذا المنتج. لأن تشغيل معدات كهربائية بالقرب من منظم ضربات القلب قد ينشأ عنه خلل أو فشل في أداء منظم ضربات القلب.

رموز السلامة

الغرض من رموز السلامة هو جذب انتباهك إلى المخاطر المحتملة. رموز السلامة والشروح المصاحبة لها تستحق اهتمامك وفهمك الدقيق. تحذيرات كل رمز، بنفسها، لا تمنع وقوع أي خطر. التعليمات والتحذيرات التي تمنحك إياها لا تعد بديلاً عن تطبيق الإجراءات الملائمة لمنع وقوع الحوادث.

⚠ تحذير: احرص على قراءة وفهم جميع تعليمات السلامة في دليل التشغيل هذا، بما في ذلك جميع رموز تنبيهات السلامة، مثل «خطر»، و«تحذير» و«تنبيه» قبل استخدام هذه الآلة. عدم اتباع جميع التعليمات الواردة أدناه قد يؤدي إلى حدوث صدمة كهربائية أو نشوب حريق أو التعرض للإصابة الشخصية، أحدها أو جميعها.

معنى الرمز

هذه الصفحة تصف وتشرح رموز السلامة التي قد تظهر على هذا المنتج. اقرأ جميع التعليمات المذكورة على الآلة وافهمها واتبعها قبل محاولة تجميع الآلة وتشغيلها.

رموز السلامة

للحد من خطر الإصابة، يجب على المستخدم قراءة وفهم دليل التشغيل قبل استخدام هذا المنتج.



تنبيه سلامة



احرص على ارتداء ملابس محكمة حول الجسم. لا ترتد وشاحاً أو ربطة عنق أو مجوهرات.



احرص على ارتداء قفازات مخصصة للعمل الشاق مصنوعة من مواد مثبنة



احرص على ارتداء نظارات حماية ثابتة بإحكام، وسدادات أو أغطية للأذن، وقبعة سلامة صلبة مزودة بشريط يمر تحت الذقن.



احرص على ارتداء حذاء سلامة مانع للانزلاق



الإمساك بكلتا اليدين - احرص دائماً على استخدام كلتا يديك عند تشغيل المنشار السلسلي.



احذر من رد الفعل الارتدادي - يجب تجنب ملامسة طرف قضيب التوجيه مع أي شيء.



المعلومات عن قضيب التوجيه.



رد الفعل الارتدادي لطرف قضيب التوجيه - قد تتسبب ملامسة الطرف في تحرك قضيب التوجيه بشكل مفاجئ لأعلى ولأسفل، وهو ما قد يؤدي إلى وقوع إصابات شخصية.



لا تُعرض المنتج للمطر.



لا يجب التخلص من الأجهزة الكهربائية المستهلكة في النفايات المنزلية. توجه بالجهاز إلى مركز إعادة تدوير معتمد.



الضوضاء



فولت

V

شهادة الجودة الأوروبية CE



تيار مستمر



المواصفات

الجهد الكهربائي	56 فولت 	
درجة حرارة التشغيل الموصى بها:	15- 40 درجة مئوية	
درجة حرارة التخزين الموصى بها:	40- 70 درجة مئوية	
درجة حرارة الشحن المثالية	5 - 40 درجة مئوية	
طول القص	300 مم	
سرعة السلسلة	20 م/ثانية	
المسافة بين أسنان السلسلة	8/3 بوصة (9.5 مم)	
مقياس السلسلة	1.1 مم	
نوع سلسلة المنشار	AC1200 (موصى به) AC1400 (متوافق) AC1600 (متوافق)	
نوع قضيب التوجيه	AG1200 (موصى به) AG1400 (متوافق) AG1600 (متوافق)	
الوزن (بدون مجموعة البطارية، وغللاف السلسلة)	3.5 كجم	
مستوى قوة الصوت المُقَدَّر L_{WA}	98.8 ديسيبل (A) 3=K ديسيبل (A)	
مستوى ضغط الصوت في وضع التشغيل L_{PA}	88.1 ديسيبل (A) 3=K ديسيبل (A)	
مستوى قوة الصوت المضمون L_{WA} (وفقاً للمعيار 2000/14/EC)	102 ديسيبل (A)	
الاهتزاز a_h	المقبض الأمامي	1.73 م/ثانية ² 1.5 =K م/ثانية
	المقبض الأساسي	2.21 م/ثانية ² 1.5 =K م/ثانية

9. المقبض الأمامي
10. غطاء خزان الزيت
11. قضيب التوجيه
12. فتحة التزييت
13. الترس المسنن
14. مسمار الشد
15. مفتاح أمان التشغيل/الإيقاف
16. برغي التوجيه
17. صامولة القضيب
18. تجميع الغطاء الجانبي
19. غطاء مسمار ضبط تدفق الزيت
20. غطاء إزالة الغبار
21. آلية الإخراج
22. الوصلات الكهربائية
23. زر تحرير البطارية
24. خطاف الحزام
25. الإبريم
26. الحزام
27. الحزام المزود بكابل داخلي
28. الطوق 1
29. خطاف المنشار
30. قابس الطاقة
31. الطوق 2
32. غلاف السلسلة
33. مفتاح ربط بجانبين

قائمة المحتويات (الشكل A1)


التجميع

تجميع/تفكيك القضيب والسلسلة

⚠ تحذير: احرص دائماً على فصل قابس الطاقة، وارتداء قفازات الحماية قبل تجميع المنتج أو إجراء أعمال الصيانة عليه.

⚠ تحذير: اقرأ جميع تحذيرات السلامة والتعليمات والرسوم التوضيحية والمواصفات المرفقة مع هذه الآلة. عدم اتباع جميع التعليمات الواردة أثناء قد يؤدي إلى حدوث صدمة كهربائية أو نشوب حريق أو التعرض للإصابة، أدها أو جميعها.

احتفظ بجميع التحذيرات والتعليمات للرجوع إليها في المستقبل.

1. تأكد من ضبط ذراع فرملة رد الفعل الارتدادي للسلسلة على الوضع .
2. فك صامولة القضيب (A-17) عكس اتجاه عقارب لخلع تجميع الغطاء الجانبي (A-18).
3. ضع سلسلة المنشار في عروة على سطح مستوي، وقم بتسوية أي انتثناءات. (الشكل B1)
4. ضع وصلات نقل الحركة (B-1) في تجويف (B-2) قضيب التوجيه، وثبت السلسلة كعروة على الجانب الخلفي لقضيب التوجيه. (الشكل B2)

■ القيمة الكلية للاهتزاز الموضحة تم قياسها وفقاً لطريقة اختبار قياسية وقد تستخدم لمقارنة أداة بأخرى؛

■ كما يمكن استخدام القيمة الكلية للاهتزاز الموضحة في التقييم التمهيدي للعرض.

ملاحظة: قد تختلف انبعاثات الاهتزاز أثناء الاستخدام الفعلي للآلة العاملة بالطاقة عن القيمة المعلنة التي يتم استخدام الآلة فيها؛ ولحماية مشغل الآلة، ينبغي على المستخدم ارتداء قفازات وواقيات للأذن في ظروف الاستخدام الفعلية.

الوصف

تعرف على المنشار السلسلي (الشكل A1)

1. سلسلة المنشار
2. ذراع فرملة رد الفعل الارتدادي للسلسلة
3. لسان النقل
4. المقبض الأساسي
5. الزناد الزنبركي ذو السرعة المتغيرة
6. تقب
7. مؤشر البطارية
8. مؤشر انخفاض مستوى الزيت

3. ارفع طرف القضيب لأعلى، واضبط مسمار الشد إلى أن يحدث ما يلي:
 - (a) ارتخاء السلسلة في منتصف القضيب حوالي: 1 - 2 مم (الشكل D).
 - (b) فك تشبيق فرملة السلسلة، مع التأكد من إمكانية شد السلسلة على طول القضيب بإصبعين.
5. أمسك السلسلة في موضعها على قضيب التوجيه، وضع العروة حول الترس المسنن للسلسلة (B-3) برأس الطاقة، وافحص العناصر التالية (الشكل B3).
 - (a) وصلات نقل حركة السلسلة مستوية على أسنان الترس المسنن للسلسلة (B-3).
 - (b) مسمار الشد (B-4) وقضيب التوجيه (B-5) مثبتان في فتحة قضيب التوجيه. قم بتعشيق مسمار الشد (B-6) في فتحة قضيب التوجيه.
6. ملاحظة: احرص دائماً على أن يكون اتجاه الأسهم الموجودة بأسنان سلسلة المنشار نحو الأمام (الشكل B3).
 6. راجع قسم «شد سلسلة المنشار» للتأكد من تجميع السلسلة كما ينبغي دون وجود انتفاخات بها.
 7. حاذاً عودي التوجيه (B-7) بتجميع الغطاء الجانبي مع الفتحات (B-8) المعنية في المنشار، ثم ثبت تجميع الغطاء الجانبي. (الشكل B4)
 8. أحكم ربط صامولة القضيب.

ملء خزان الزيت	م	م
1. افصل قابس الطاقة من المنشار السلسلي.	B-1	وصلات نقل الحركة
2. ضع المنشار على جانبه على سطح ثابت مستو، بحيث يكون غطاء خزان الزيت متجهاً لأعلى. افتح غطاء خزان الزيت. إذا كان محكم الإغلاق، استخدم الرأس المفتوحة لمفتاح الربط ذي الجانبين (مرفق) في فكه (الشكل E).	B-2	تجويف
3. صب الزيت برفق في خزان الزيت. املا حتى أسفل عنق الملاء. امسح أي كميات زائدة من الزيت، ثم ألق الغوثة.	B-3	الترس المسنن للسلسلة
	B-4	مسمار الشد
	B-5	برغي التوجيه
	B-6	مسمار الشد
	B-7	أعواد التوجيه
	B-8	فتحات

ملاحظة: إذا كنت بحاجة لاستبدال قضيب التوجيه، قم بتفكيك جميع الغطاء الجانبي، وأعد تجميعها في قضيب التوجيه الجديد على النحو الموضح في الشكل C.

التشغيل

الاستخدامات

- هذا المنشار السلسلي مصمم خصيصاً للجرارات داخل الأشجار وصيانتها.
- يجب استخدام هذا المنشار من قبل الأشخاص المدربين خصيصاً على أعمال صيانة الأشجار.
- ملاحظة:** من الموصى به بالنسبة لمن سيستخدم الآلة للمرة الأولى، كحد أدنى للتدريب، أن يقطع زود الخشب على مسند قطع خشبي أو منجلة.

شد سلسلة المنشار

- ⚠ **تحذير:** لا تلمس أو تضبط أبداً السلسلة والمحرك يدور. سلسلة المنشار حادة للغاية؛ ولهذا احرص دائماً على ارتداء قفازات حماية عند تنفيذ أعمال الصيانة على السلسلة.
- تتمدد سلسلة المنشار وتنقبض أثناء التشغيل العادي للمنشار. ومن ثم، يتغير شد السلسلة كنتيجة لذلك. افحص شد السلسلة بانتظام أثناء التشغيل، وأعد ضبطه إذا لزم الأمر.

1. أوقف تشغيل المنشار السلسلي، وعشق فرملة السلسلة، وافصل قابس الطاقة.
2. فك صامولة القضيب، بحيث يمكن لقضيب التوجيه التحرك بحرية كي تنفذ أي عمليات ضبط مطلوبة.

1. افصل قابس الطاقة من المنشار السلسلي.
2. ضع المنشار على جانبه على سطح ثابت مستو، بحيث يكون غطاء خزان الزيت متجهاً لأعلى. افتح غطاء خزان الزيت. إذا كان محكم الإغلاق، استخدم الرأس المفتوحة لمفتاح الربط ذي الجانبين (مرفق) في فكه (الشكل E).
3. صب الزيت برفق في خزان الزيت. املا حتى أسفل عنق الملاء. امسح أي كميات زائدة من الزيت، ثم ألق الغوثة.

ملء خزان الزيت

1. افصل قابس الطاقة من المنشار السلسلي.
2. ضع المنشار على جانبه على سطح ثابت مستو، بحيث يكون غطاء خزان الزيت متجهاً لأعلى. افتح غطاء خزان الزيت. إذا كان محكم الإغلاق، استخدم الرأس المفتوحة لمفتاح الربط ذي الجانبين (مرفق) في فكه (الشكل E).
3. صب الزيت برفق في خزان الزيت. املا حتى أسفل عنق الملاء. امسح أي كميات زائدة من الزيت، ثم ألق الغوثة.

ملاحظة:

- المنشار السلسلي لا يكون مملوئاً بالزيت وقت الشراء. من الضروري تعبئة خزان الزيت قبل الاستخدام. يتم تزييت السلسلة تلقائياً بزيت السلسلة أثناء التشغيل.
- فهو مصمم خصيصاً لتقليل الاحتكاك والقطع بسرعة أعلى.
- احرص على ألا تستخدم الزيوت أو مواد التشحيم الأخرى غير المصممة خصيصاً للاستخدام مع القضيب والسلسلة. فهذا قد يؤدي إلى انسداد دورة الزيت، وهو ما قد يتسبب في التآكل المبكر للقضيب والسلسلة.

ضبط تدفق الزيت (الشكل F)

- هذا المنشار مجهز بمسمار لضبط تدفق الزيت (F-1) موجود في الجانب السفلي للآلة، وهو يستخدم لضبط تدفق الزيت الخاص بتشحيم السلسلة والقضيب ونظام القطع. يمكنك زيادة تدفق الزيت أو خفضه بحسب اتجاه الأسهم الموضحة على الهيكل.

المؤشرات بلمبات LED في المنشار السلسلي

المنشار السلسلي مزود بمؤشرين بلمبات LED للإشارة إلى حالة الزيت ومستوى شحن مجموعة (مجموعات) البطارية.

الإجراء	المعنى	مؤشر LED	
ملاً خزان الزيت	نقص في الزيت	أحمر وامض	مؤشر انخفاض مستوى الزيت (A-8)
/	الخزان به زيت	مطفأ	
	مجموعة البطارية مشحونة بالطاقة	أخضر لامع	
اشحن البطارية	نفس شحن مجموعة البطارية وتحتاج للشحن على الفور.	أخضر وامض	مؤشر البطارية (A-7)

تركيب جراب البطارية في ضفيرة الأسلاك الخاصة بالتسلق

يحتوي هذا المنشار التسلسلي على جراب بطارية، وهو يستخدم في حمل مجموعة البطارية وينتج للمستخدم تركيب ضفيرة الأسلاك الخاصة بالتسلق (غير مرفقة).

ملاحظة: ثبت جراب البطارية بإحكام في ضفيرة الأسلاك الخاصة بالتسلق قبل ارتداء ضفيرة الأسلاك.

- ابحث عن المكان المناسب لك لتطبيق جراب البطارية هذا في ضفيرة الأسلاك الخاصة بالتسلق، ثم قم بتعليقه باستخدام **خطاف الحزام (الشكل G-1)**. (الشكل G1)
- لف الحزام حول ضفيرة الأسلاك الخاصة بالتسلق لتثبيت جراب البطارية في مكانه (الشكلان G2 و G3).
- ركب **الحلقتين (G-2)** بحزام الأمان المزود بكابل داخلي في ضفيرة الأسلاك الخاصة بالتسلق باستخدام حلقتين معدنيتين مستطيلتين (غير مرفقة)، على النحو الموضح في الشكل G4.

G-1	خطاف الحزام	G-2	الحلقات
-----	-------------	-----	---------

ملاحظة:

- عند تسلق الشجرة، قم بتركيب الحلقتين 1 و2 بحزام الأمان المزود بكابل داخلي في ضفيرة الأسلاك الخاصة بالتسلق باستخدام حلقتين معدنيتين مستطيلتين (غير مرفقة) (الشكل G5).
- عندما تكون الآلة قيد الاستخدام، قم بفك الحلقة 2 من ضفيرة الأسلاك الخاصة بالتسلق، وأمسك المنشار بكلتا يديك لتنفيذ عملية القطع (الشكل G6).

تثبيت المنشار في جراب البطارية

ركب **خطاف المنشار (H-2)** الخاص بحزام الأمان المزود بكابل داخلي في **الثقب (H-1)**. (الشكل H)

H-1	ثقب	H-2	خطاف المنشار
-----	-----	-----	--------------

تركيب/خلع مجموعة البطارية

ملاحظة: اشحن مجموعة البطارية بالكامل قبل استخدامها للمرة الأولى.

للتثبيت (الشكل I1)


قم بمحاذاة دعائم مجموعة البطارية مع فتحات التركيب؛ ثم أدخل مجموعة البطارية في الجراب إلى أن ينشك في مكانه.

للخلع (الشكل I2)

اضغط على زر تحرير البطارية بإبهامك لخلع مجموعة البطارية.

بدء تشغيل/إيقاف المنشار التسلسلي

لبد التشغيل


- قم بمحاذاة علامات «▲» الموجودة في **قابس الطاقة (J-2)** مع **المقبس الكهربائي للمنشار التسلسلي (J-1)**، ثم أدخل القابس في المنشار التسلسلي إلى تختفي العلامة الخضراء بالقابس بأكملها في المقبس (الشكل J1).
- ادفع مفتاح التشغيل/الإيقاف (ON/OFF) إلى وضع التشغيل «ON» (الشكل J2)
- اسحب ذراع فرملة رد الفعل الارتدادي للسلسلة ناحية المقبض الأساسي حتى الموضع .
- حرك **لسان القفل (J-3)** للأمام، ثم اضغط على **الزناد الزنبركي ذو السرعة المتغيرة (J-4)**. وكلما سحبت الزناد الزنبركي ذو السرعة المتغيرة لأعلى أكثر، كلما زادت سرعة دوران سلسلة المنشار (الشكل J3).

J-1	المقبس الكهربائي	J-3	لسان القفل
J-2	قابس الطاقة	J-4	الزناد الزنبركي ذو السرعة المتغيرة

للإيقاف

- اترك الزناد الزنبركي ذو السرعة المتغيرة لإيقاف المنشار التسلسلي.

ملاحظة: ستواصل سلسلة المنشار دورانها لفترة قصيرة بعد تحرير الزناد الزنبركي ذي السرعة المتغيرة. احرص على تجنب ملامستها بعد تحرير الزناد الزنبركي ذو السرعة المتغيرة، وعند وضع المنشار التسلسلي على الأرض.

- ادفع ذراع فرملة رد الفعل الارتدادي للسلسلة للأمام إلى وضع الفرملة «».
- انقل مفتاح التشغيل/الإيقاف (ON-OFF) إلى **وضع الإيقاف «OFF»**

تحذير: احرص دائماً على فصل قابس الطاقة من المنشار التسلسلي أثناء الاستراحة وبعد الانتهاء من العمل.

التحضير للقطع

الإمسك السليم بالمقابض (الشكل K)

- احرص على ارتداء قفازات ممانعة للانزلاق لتحقيق أقصى قدر من الإمسك والحماية.
- احرص دائماً على الإمسك بالمقبض الأمامي باليد اليسرى، والمقبض الأساسي باليد اليمنى.
- يجب أن تكون الأصابع محيطة بالمقبض، بحيث يكون الإبهام ملتقاً حول المقبض الأمامي.

⚠ تحذير: تجنب الإمساك بالمنشار بقبضة اليد اليسرى (مع تقابل اليدين)، أو اتخاذ أي وضع جسماني قد يجعل جسمك أو ذراعك مقابلاً لخط السلسلة.

⚠ تحذير: لا تتم بتشغيل المفتاح الزنبركي بيدك اليسرى، والإمساك بالمقبض الأمامي بيدك اليمنى. لا تسمح أبداً بتواجد أي جزء من أجزاء جسمك في طريق حركة السلسلة أثناء تشغيل المنشار (الشكل L).

فحص تزييت السلسلة (الشكل M)

ملاحظة: تأكد من ملء خزان زيت المنشار السلسلي بالكمية المناسبة من زيت السلسلة.

1. ثبت قضيب التوجيه فوق سطح فاتح اللون.
2. قم بتشغيل المنشار. سترى خطاً واضحاً من الزيت على السطح فاتح اللون بعد دقيقة واحدة إذا تم تزييت السلسلة كما ينبغي.
3. إذا لم يظهر زيت السلسلة على السطح فاتح اللون، راجع قسم «ضبط تدفق الزيت» لتضبطه على النحو الملائم.

استخدام الآلة في الأشجار

⚠ تحذير: أثناء العمل أو التسلق، من الموصى به الاستعانة بدعم إضافي، مثل ركاب القدم أو الحبل القصير القابل للضبط لتجنب التعرض لحادث أترجح أو جروح.

قبل استخدام الآلة، يُرجى مراجعة النقاط التالية:

- افحص علامات التآكل بالترس المسنن للسلسلة (N-1)، فإذا كانت علامات التآكل أعمق عن ٥.٠ مم، تواصل مع وكيل صيانة EGO لاستبدال الترس المسنن للسلسلة.
- افحص أيضاً نظام الفرامل، فإذا كانت علامات التآكل بوسادة الفرامل (N-2) غير مستوية، تواصل مع وكيل صيانة EGO لاستبدال وسادة الفرامل الواجب تغييرها. (الشكل N)

N-1	الترس المسنن للسلسلة	N-2	وسادة الفرامل
-----	----------------------	-----	---------------

■ افحص قضيب التوجيه وفقاً للقسم ذي الصلة: صيانة قضيب التوجيه

■ افحص سلسلة المنشار وفقاً للقسم ذي الصلة: صيانة السلسلة
■ اختبر فرملة السلسلة وفقاً للقسم ذي الصلة: تجهيزات السلامة ضد رد الفعل الارتدادي بهذا

المنشار السلسلي

■ افحص أدوات التحكم وفقاً للقسم ذي الصلة: بدء تشغيل/إيقاف المنشار السلسلي

■ افحص تزييت السلسلة وفقاً للقسم ذي الصلة: فحص تزييت السلسلة

الصيانة

التنظيف

■ بعد كل استخدام، نظف العوالم عن السلسلة وقضيب التوجيه بفرشاة ناعمة. امسح سطح المنشار السلسلي بقطعة قماش نظيفة مبللة بمحلول صابون خفيف.

■ للتنظيف العميق، أخلع تجمعة الغطاء الجانبي، وافصل قضيب التوجيه وسلسلة المنشار، ثم استخدم فرشاة ناعمة لإزالة العوالم تماماً من قضيب التوجيه وسلسلة المنشار والترس المسنن للعمود برأس طاقة المنشار السلسلي.

■ احرص دائماً على إزالة الرقاقت الخشبية، وغبار المنشار، والأوساخ عن تجويف قضيب التوجيه أثناء استبدال سلسلة المنشار.

إزالة الغبار

1. افصل قابس الطاقة، وارك المنشار السلسلي ببرد، ثم اربط غطاء خزان الزيت.
2. تشويق فرملة المنشار
3. استخدم مفتاح الربط ذي الجانبين (مرفق) في فك مسمار غطاء إزالة الغبار (O-1) لفتحه (الشكل O1).
4. نظف غبار المنشار والرقائق المتركمة في ريشة التبريد باستخدام الهواء المضغوط الجاف، وأخرجه من مدخل الهواء (O-2) في الجانب المقابل. (الشكل O2).

O-1	غطاء إزالة الغبار	N-2	مدخل الهواء
-----	-------------------	-----	-------------

صيانة قضيب التوجيه

عند ظهور علامات تآكل على قضيب التوجيه، قم بفكه من رأس طاقة المنشار السلسلي وإعادة تجميعه بشكل عكسي (الشكل P1)، وهو ما سيؤدي إلى توزيع التآكل لتحقيق أقصى عمر للقضيب.

يجب تنظيف القضيب (بما في ذلك حواجز القضيب (P-1) وفتحة التزييت (P-2)) في كل يوم استخدام وفحصه بحثاً عن أي علامات للتآكل والتلف (الشكل P2). تأكل أو ثقّب حواجز القضيب من المظاهر الطبيعية لتآكل القضيب، مثل تلك العيوب يجب تعميمها باستخدم مبرد بمجرد ظهورها. أي قضيب به العيوب التالية يجب استبداله.

تآكل داخل حواجز القضيب تسمح بارتقاء السلسلة للمسارات الجانبية.

■ انثناء قضيب التوجيه.

■ تشقق الحواجز أو انفكسارها.

■ تمدد الحواجز.

قضيب التوجيه به ترس مسنن عند طرفه. يجب تشحيم الترس المسنن أسبوعياً بمحقة تشحيم، وذلك لتمديد عمر قضيب التوجيه (الشكل P3 وP4). أدر الترس المسنن بالطرف الأمامي (P-3) أثناء ضخ الشحم الأصفر الشفاف أو الأحمر الشفاف أو الشحم الشفاف عديم اللون في فتحة التزييت (P-4) إلى أن يتم تشحيم الترس المسنن بأكمله بشحم جديد. لا تضع أتربة في الفتحة.

P-1	حواجز القضيب	P-3	الترس المسنن
P-2	فتحة التزييت	P-4	فتحة التزييت

صيانة السلسلة

استخدم سلاسل رد الفعل الارتدادي المنخفض مع هذا المنشار. رد الفعل الارتدادي سيكون أقل مع سلسلة القطع السريعة هذه إذا تمت صيانتها على النحو الملائم.

سلسلة المنشار المشحونة جيدًا ستقطع الخشب دون عناء، حتى عند تطبيق أقل مستوى من الضغط. لا تستخدم سلسلة منشار غير حادة أو تالفة. لأن القطع بسلسلة منشار غير حادة سيحتاج لجهود بدني أكبر، مع وجود حمل اهتزازي أكبر، ونتائج قطع غير مرضية وتآكل زائد.

للقطع بشكل أكثر سلاسة وسرعة، يجب صيانة السلسلة على النحو الملائم. تحتاج السلسلة للشحذ عندما تكون الرقائق الخشبية صغيرة وسهلة التفتيت، ويجب دفع السلسلة بالقوة عبر الخشب أثناء القطع، وإلا ستقطع السلسلة على جانب واحد. أثناء صيانة سلسلتك، يجب عليك مراعاة ما يلي:

■ زاوية البرد غير الملائمة للوح الجانبية قد تزيد من خطر حدوث رد فعل ارتدادي عنيف.

■ خلوص مقياس العمق. إذا كان منخفضًا للغاية فهذا يزيد من احتمالية حدوث رد فعل ارتدادي. وإذا لم يكن منخفضًا بما فيه الكفاية سيقلل من قدرة القطع.

■ إذا اصطدمت أسنان القاطع بشيء صلب، مثل المسامير والصخور، أو تآكلت بفعل الطين أو الرمال الموجود على الخشب، يجب شحذ السلسلة بواسطة فني صيانة مؤهل.

ملاحظة: من الموصى به أن يكون شحذ سلسلة المنشار وصيانتها من قبل مراكز صيانة معتمدة.

النقل والتخزين

■ لا تقم بتخزين أو نقل المنشار السلسلي وهو يعمل. احرص دائمًا على فصل قابس الطاقة قبل التخزين أو النقل.

■ احرص دائمًا على وضع غلاف قضيب التوجيه على قضيب التوجيه والسلسلة قبل تخزين المنشار السلسلي أو نقله. تعامل بحذر لتجنب الأسنان الحادة للسلسلة.

■ نظف المنشار السلسلي جيدًا قبل تخزينه. يكون تخزين المنشار السلسلي داخل المنزل في مكان جاف مغلق و/أو لا يمكن الوصول إليه من قبل الأطفال.

■ احتفظ بالمنتج بعيدًا عن المواد المسببة للتآكل مثل كيماويات الحديقة وملح إذابة الجليد.

حماية البيئة

نفايات المعدات الكهربائية والإلكترونية (WEEE) لا تتخلص من المعدات الكهربائية أو البطارية المستهلكة أو الشاحن في النفايات المنزلية! بل توجه بهذا المنتج إلى مركز إعادة تدوير معتمد ليكون متاحًا للفرز بشكل منفرد. تجب إعادة الآلات الكهربائية إلى مرفق إعادة تدوير صديق للبيئة.



استكشاف الأخطاء وإصلاحها

المشكلة	السبب	الحل
لا يمكن بدء تشغيل المحرك.	<ul style="list-style-type: none"> ■ قابس الطاقة بجراب البطارية غير مركب في المنشار السلسلي. ■ لا يوجد اتصال كهربائي بين جراب البطارية والبطارية. ■ لسان القفل غير مطوي لأعلى. 	<ul style="list-style-type: none"> ■ أدخل قابس الطاقة بجراب البطارية في المنشار السلسلي. ■ قم بفك البطارية، وافحص التوصيلات، ثم أعد تركيب مجموعة البطارية. ■ اطو لسان القفل لأعلى قبل بدء التشغيل.
المنشار السلسلي يتوقف عن العمل أثناء الاستخدام.	<ul style="list-style-type: none"> ■ مجموعة البطارية أو المنشار السلسلي ساخنان للغاية. ■ هناك حمل زائد على المنشار السلسلي. ■ هناك عدد كبير للغاية من قطع الخشب الصغيرة التي تسد مجرى التهوية. ■ نفذ شحن مجموعة البطارية. 	<ul style="list-style-type: none"> ■ انقل مفتاح التشغيل/الإيقاف (ON-OFF) إلى وضع التشغيل «ON». ■ اسحب ذراع فرملة رد الفعل الارتدادي للسلسلة للخلف ناحية المقيض العلوي إلى أن يصل إلى وضع التشغيل.
لا يتم تعشيق فرملة السلسلة	<ul style="list-style-type: none"> ■ العوالم تمنع الحركة الكاملة لمقيض فرملة رد الفعل الارتدادي للسلسلة. ■ خلل وظيفي محتمل في فرملة السلسلة 	<ul style="list-style-type: none"> ■ نظف العوالم عن الآلية الخارجية لفرملة السلسلة. ■ تواصل مع قسم خدمة العملاء بشركة EGO لإصلاح العيب.
لا يوجد تزييت للسلسلة أثناء القطع.	<ul style="list-style-type: none"> ■ خزان زيت السلسلة فارغ. ■ مسخر الزيت بقضيب السلسلة مسدود. ■ الزيت متجمد بفعل انخفاض درجة الحرارة. 	<ul style="list-style-type: none"> ■ التعبئة بزيت القضيب والسلسلة. ■ نظف الغبار الموجود في فتحة الزيت. ■ استخدم زيت التزييت الملائم (المناسب لدرجة الحرارة المنخفضة).
يومض مؤشر انخفاض مستوى الزيت باللون الأحمر أو يضيئ بضوء غير طبيعي بينما خزان الزيت مملوء بالزيت.	<ul style="list-style-type: none"> ■ استخدام الآلة بزاوية معينة قد يتسبب في عدم دخول الزيت الموجود بخزان الزيت إلى أنبوب الزيت. ■ فتحة الزيت ولونه غير موصى بهما. ■ مؤشر انخفاض مستوى الزيت ما زال يومض باللون الأحمر. 	<ul style="list-style-type: none"> ■ ضع المنشار السلسلي على سطح مستوٍ، وأعد المحاولة. ■ استخدم أحد الزيوت الموصى بها، سواء كان أصفر شفاف أو أحمر شفاف أو شفاف عديم اللون. ■ تواصل مع قسم خدمة العملاء بشركة EGO لإصلاح العيب.
مؤشر انخفاض مستوى الزيت لا يعمل وهناك نقص في مستوى الزيت في خزان الزيت.	<ul style="list-style-type: none"> ■ لا يمكن التعرف على فتحة الزيت ولونه. ■ ما تزال هناك كمية صغيرة من الزيت في خزان الزيت أو أنبوب الزيت. ■ ما زال مؤشر انخفاض مستوى الزيت لا يعمل بفعل الأسباب المذكورة أعلاه. 	<ul style="list-style-type: none"> ■ استخدم أحد الزيوت الموصى بها، سواء كان أصفر شفاف أو أحمر شفاف أو شفاف عديم اللون. ■ استخدم المنشار السلسلي لبعض الوقت، ثم راجع مؤشر انخفاض مستوى الزيت مرة أخرى. ■ تواصل مع قسم خدمة العملاء بشركة EGO لإصلاح العيب.

الضمان

سياسة ضمان EGO

تفضل زيارة الموقع الإلكتروني egopowerplus.com للتعرف على الشروط والأحكام الكاملة الخاصة بسياسة ضمان EGO.